



PARTS CATALOG

DUSTER / MIST BLOWER

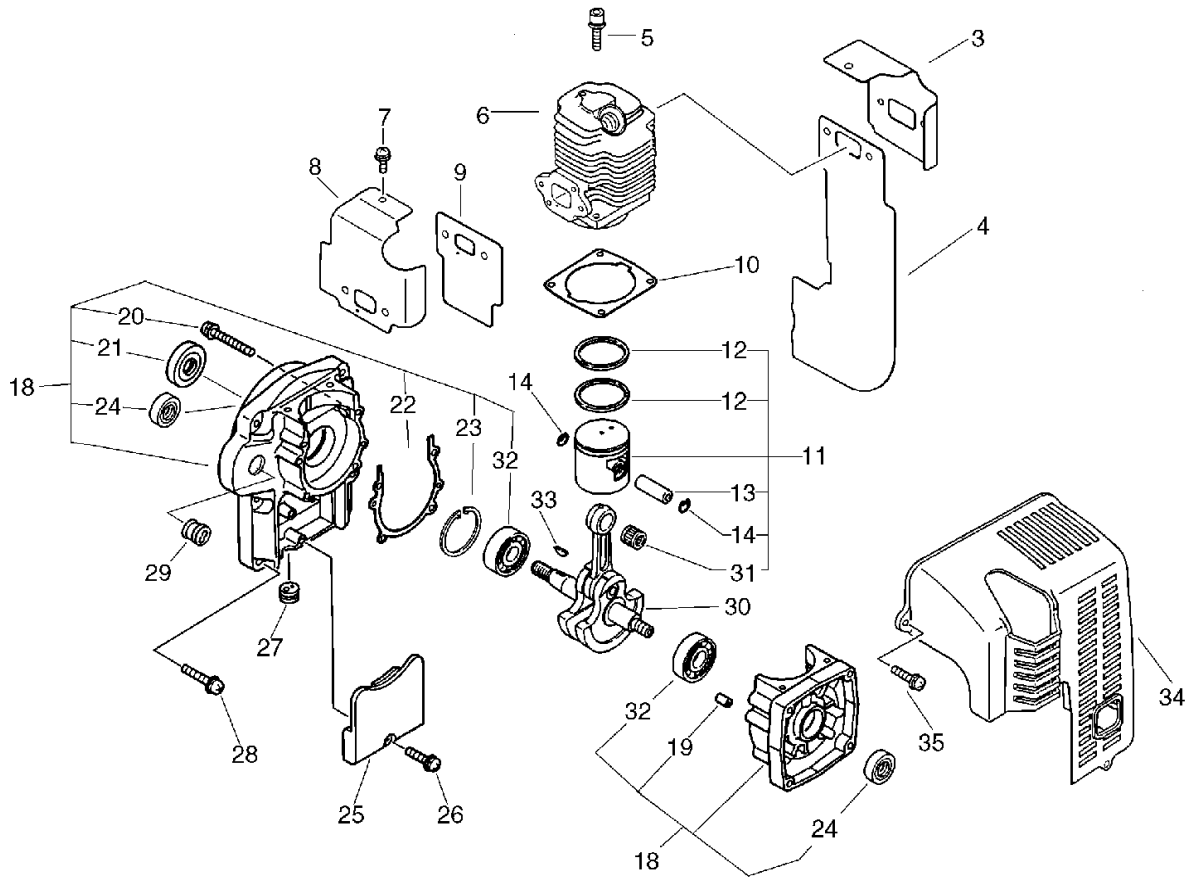
DMA4601-F23S



DMA4601-F23S

1. Cylinder, Crankcase, Piston

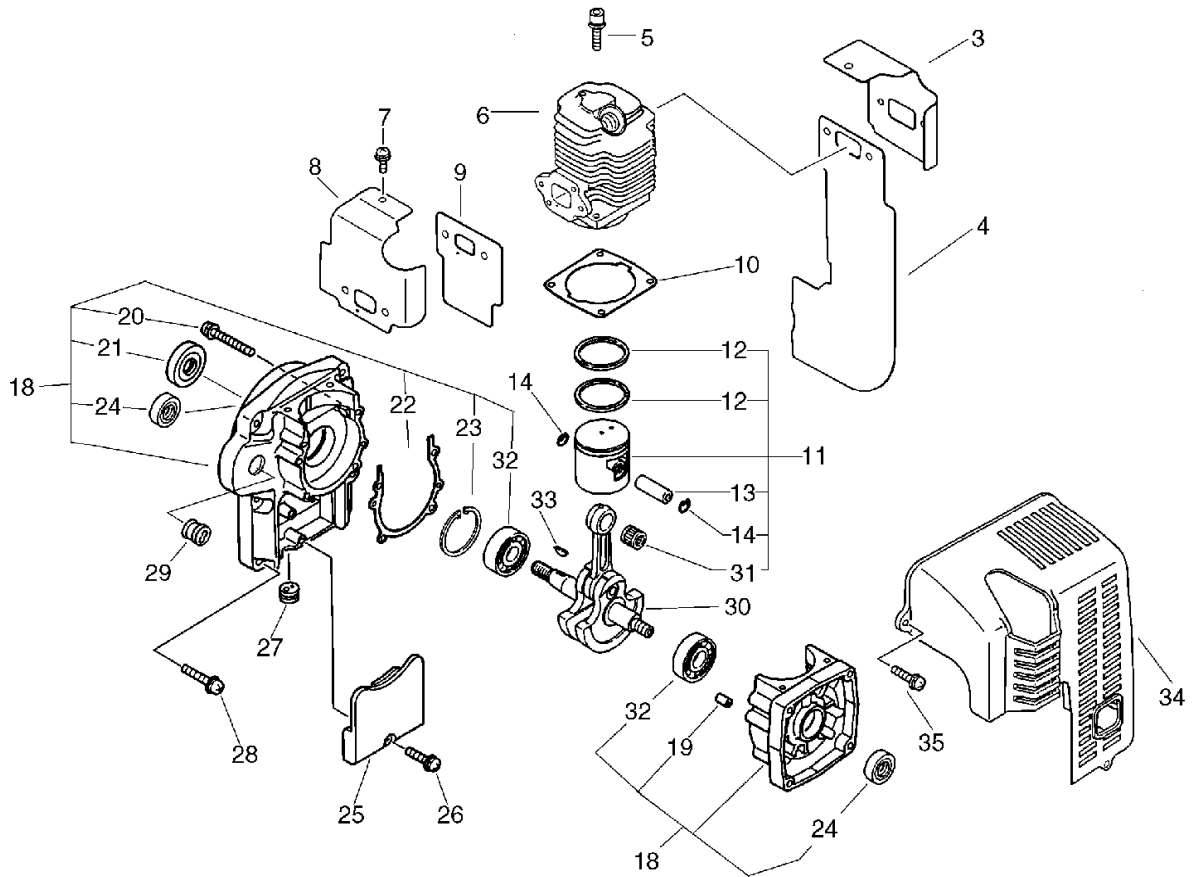
No.1



KEY	LV	PART NUMBER	Q'TY	DESCRIPTION	REMARKS	NOTE1	NOTE2
3		101514-06210	1	COVER, CYLINDER			
4		145512-06210	1	GASKET, MUFFLER		Sus. by 145512-06211	
4		145512-06211	1	GASKET, MUFFLER			
5		900162-05020	4	BOLT, H.S. 5*20	5*20 W,SW		
6		101011-08260	1	CYLINDER		Sus. by 101011-08261	
6		101011-08261	1	CYLINDER			
7		900242-05010	1	SCREW 5*10	5*10		
8		101514-06410	1	COVER, CYLINDER			
9		130010-06410	1	GASKET, INTAKE			
10		101010-10721	1	GASKET, CYL. BASE		Sus. by 101010-10722	
10		101010-10722	1	GASKET, CYL. BASE			
11		100000-03210	1	PISTON KIT			
12	+	100011-10530	2	RING, PISTON			
13	+	100013-00410	1	PIN, PISTON	6*10*29.8		
14	+	100015-00120	2	CIRCLIP, PISTON PIN			
31	+	100012-12330	1	BEARING, NEEDLE		Sus. by 100012-12331	
31	+	100012-12331	1	BEARING, NEEDLE			
18		100204-06310	1	CRANKCASE KIT		Sus. by 100204-06311	
18		100204-06311	1	CRANKCASE KIT			
19	+	100215-03930	2	PIN, DOWEL			
20	+	900242-05040	4	SCREW 5*40	5*40		

1. Cylinder, Crankcase, Piston

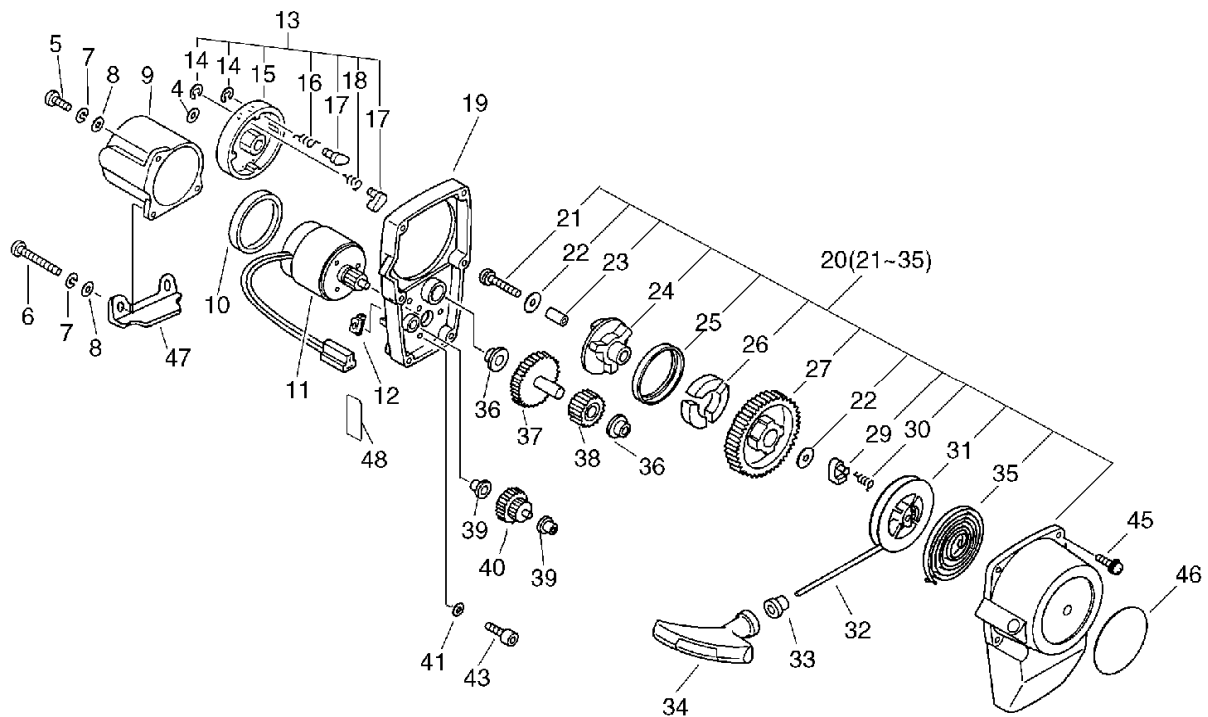
No.1



KEY	LV	PART NUMBER	Q'TY	DESCRIPTION	REMARKS	NOTE1	NOTE2
21	+	100213-02830	1	OILSEAL	ISMX15,35,6	Sr/Nr 002500 and before	
22	+	100242-10720	1	GASKET, CRANKCASE		Sus. by 100242-10721	
22	+	100242-10721	1	GASKET, CRANKCASE			
23	+	900702-00035	1	CIRCLIP 35	CR-35	Sr/Nr 002500 and before	
24	+	100213-00310	1	OILSEAL	ISCD 15 25 7	Sr/Nr 002500 and before	
24	+	100213-00310	2	OILSEAL	ISCD 15 25 7	Sr/Nr 002501 and after	
29	+	150614-02910	1	GROMMET			
32	+	900810-36202	2	BEARING, BALL 6202	6202/C3		
25		159129-08260	1	COVER, DUST			
26		900242-05016	1	SCREW 5*16	5*16	Sus. by 900242-05018	
26		900242-05018	1	SCREW 5*18	5*18		
27		150112-00310	1	BUSHING			
28		900292-05025	6	SCREW 5*25	5*25 SUS		
30		100100-06210	1	CRANKSHAFT ASSY			
33		900323-03014	1	KEY WOODRUFF	3*14		
34		104016-06210	1	COVER, ENGINE		Sus. by 104016-06410	
34		104016-06410	1	COVER, ENGINE			
35		900292-05020	3	SCREW 5*20	5*20 SUS		

2. Starter

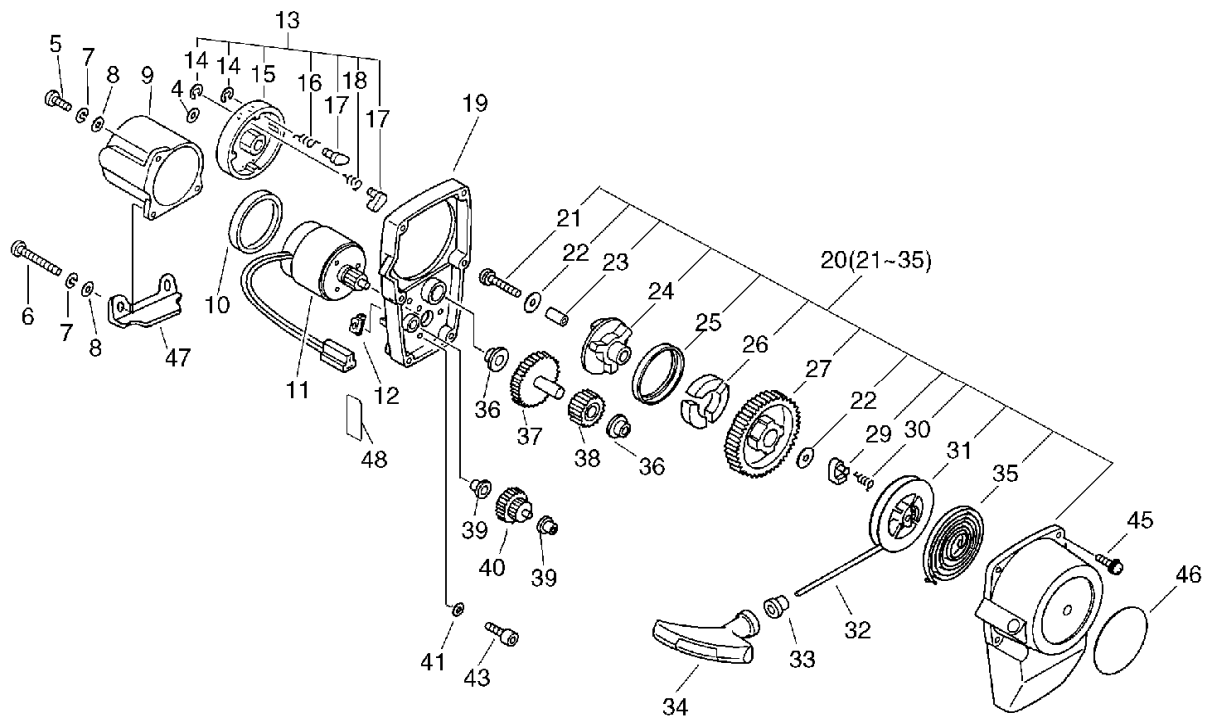
No.2



KEY	LV	PART NUMBER	Q'TY	DESCRIPTION	REMARKS	NOTE1	NOTE2
4		900600-00010	1	WASHER 10	10		
5		160612-06310	1	BOLT 4*16	4*16		
6		160612-06210	2	BOLT 4*40			
7		900605-00004	3	WASHER, SPRING 4	4		
8		900600-00004	3	WASHER 4	4		
9		160510-06310	1	COVER, MOTOR			
10		160511-06310	1	PLATE			
11		160301-06310	1	STARTER MOTOR ASSY			
12		150114-06310	1	GROMMET			
13		177202-06310	1	PAWL ASSY, STARTER			
14	+	900700-00004	4	E-RING 4	CE-4		
15	+	177210-06310	1	CATCHER, PAWL			
16	+	177234-05960	2	SPRING, RETURN			
17	+	177218-06210	4	PAWL, STARTER			
18	+	177234-42030	2	SPRING, RETURN			
19		177232-06310	1	CASE, STARTER			
20		177200-06310	1	STARTER ASSY		Sus. by 177200-06311	
20		177200-06311	1	STARTER ASSY			
21	+	177236-06310	1	SCREW, SET 6*28 LH	6*28LH		
22	+	177214-06310	2	WASHER			
23	+	177216-06310	1	COLLAR			
24	+	177239-06310	1	CAME			
25	+	177262-06310	1	PLATE, STARTER			
26	+	177233-06310	3	CUSHION			
27	+	160353-06310	1	GEAR (F)			

2. Starter

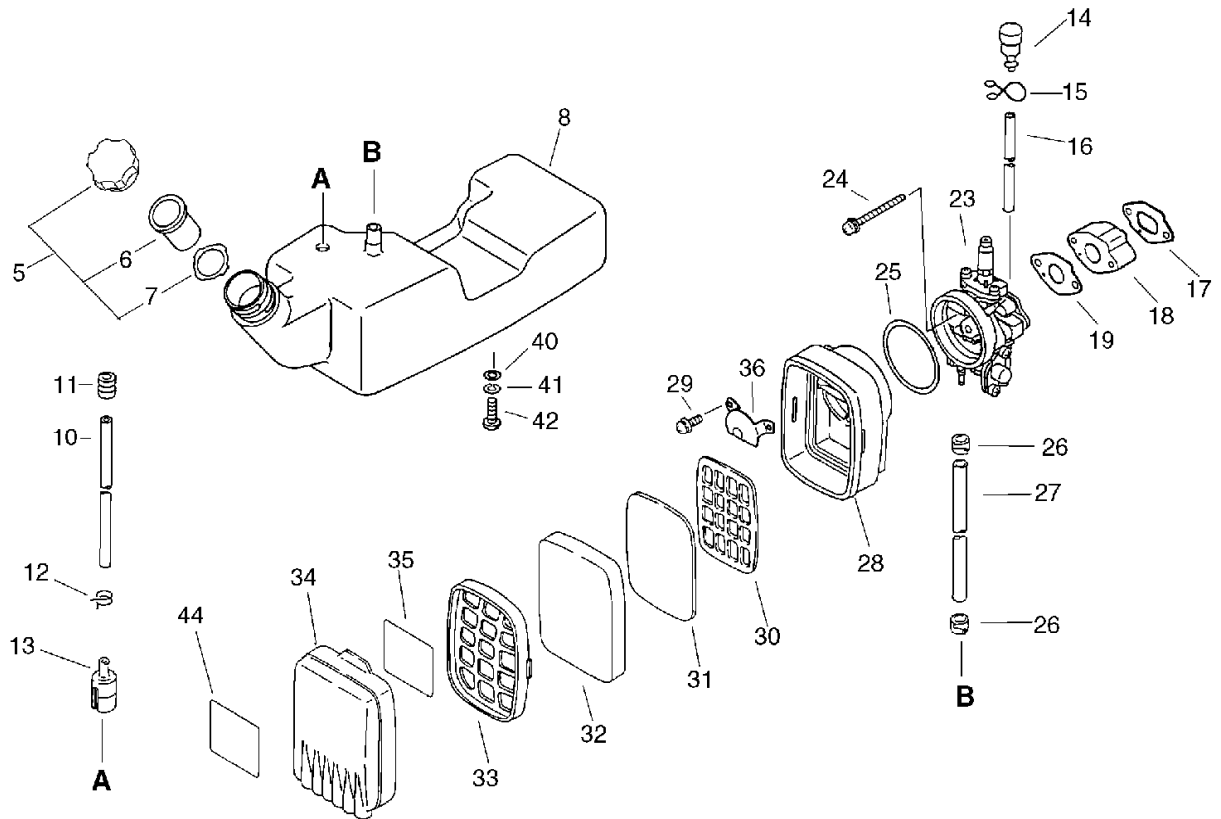
No.2



KEY	LV	PART NUMBER	Q'TY	DESCRIPTION	REMARKS	NOTE1	NOTE2
29	+	177218-06310	2	PAWL, STARTER			
30	+	177234-06310	2	SPRING, RETURN			
31	+	177215-06310	1	DRUM, STARTER			
32	+	177226-06310	1	ROPE, STARTER	3.8*1150		
33	+	177227-42030	1	GUIDE, ROPE			
34	+	177228-11120	1	GRIP, STARTER			
35	+	177220-06310	1	SPRING, REWIND			
36		160617-06310	2	BEARING, METAL			
37		160601-06310	1	GEAR (D)			
38		160306-06310	1	GEAR (E)			
39		160616-06310	2	COLLAR			
40		160305-06310	1	GEAR ASSY		Sus. by 160305-56430	
40		160305-56430	1	GEAR ASSY, W/SHAFT			
41		160515-06310	3	WASHER			
43		900241-03008	3	SCREW 3*8	3*8		
45		900162-04030	4	BOLT, H.S. 4*30	4*30 W.SW		
46		890053-00462	1	LABEL, KIORITZ		Sus. by 890053-56330	
46		890053-56330	1	LABEL, KIORITZ 56.5MM	56.5		
47		300029-06310	1	PLATE, ANGLE			
48		890050-06310	1	LABEL, CAUTION			

3. Air Cleaner, Fuel Tank

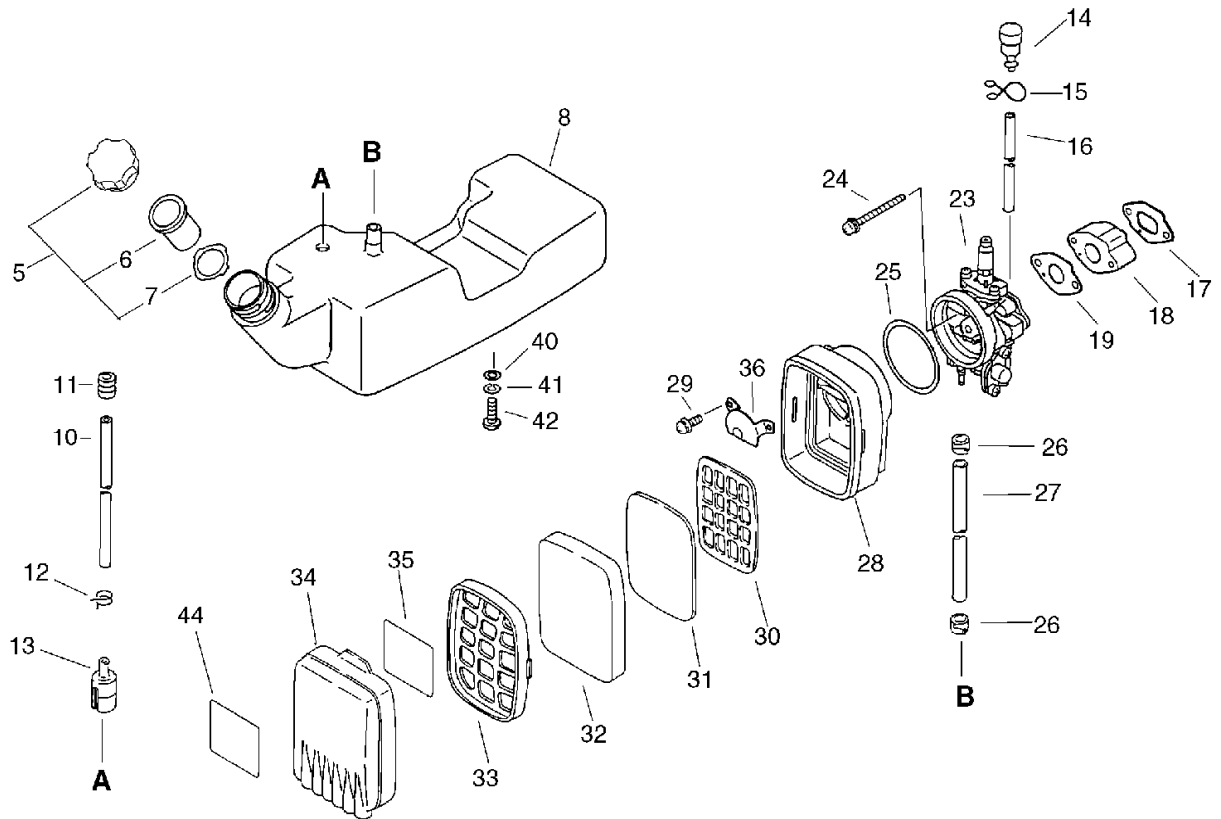
No.3



KEY	LV	PART NUMBER	Q'TY	DESCRIPTION	REMARKS	NOTE1	NOTE2
5		131004-07132	1	CAP ASS'Y, FUEL TANK		Sus. by 131004-06210	
5		131004-06210	1	CAP ASSY, FUEL			
6	+	131003-05330	1	CUP SET, VENT			
7	+	131016-21230	1	GASKET, FUEL CAP		Can be used on the 131004-07132 only	
7	+	131016-21060	1	GASKET, FUEL CAP		Can be used on the 131004-29330 only	
8		131005-06310	1	TANK, FUEL		Sus. by 131005-06313	
8		131005-06311	1	TANK, FUEL		Sus. by 131005-06313	
8		131005-06312	1	TANK, FUEL		Sus. by 131005-06313	
8		131005-06313	1	TANK, FUEL			
10		132010-35430	1	PIPE 3*6*230	3*6*230		
11		132115-12330	1	GROMMET			
12		132013-26630	1	CLIP	6.5MM		
13		131205-19830	1	STRAINER, FUEL			
14		132001-05510	1	VALVE, CHECK			
15		132013-05060	1	CLIP, PIPE			
16		132010-06530	1	PIPE 3*6* 85	3*6* 85		
17		130016-06410	1	GASKET, INTAKE			
18		130017-06410	1	INSULATOR			

3. Air Cleaner, Fuel Tank

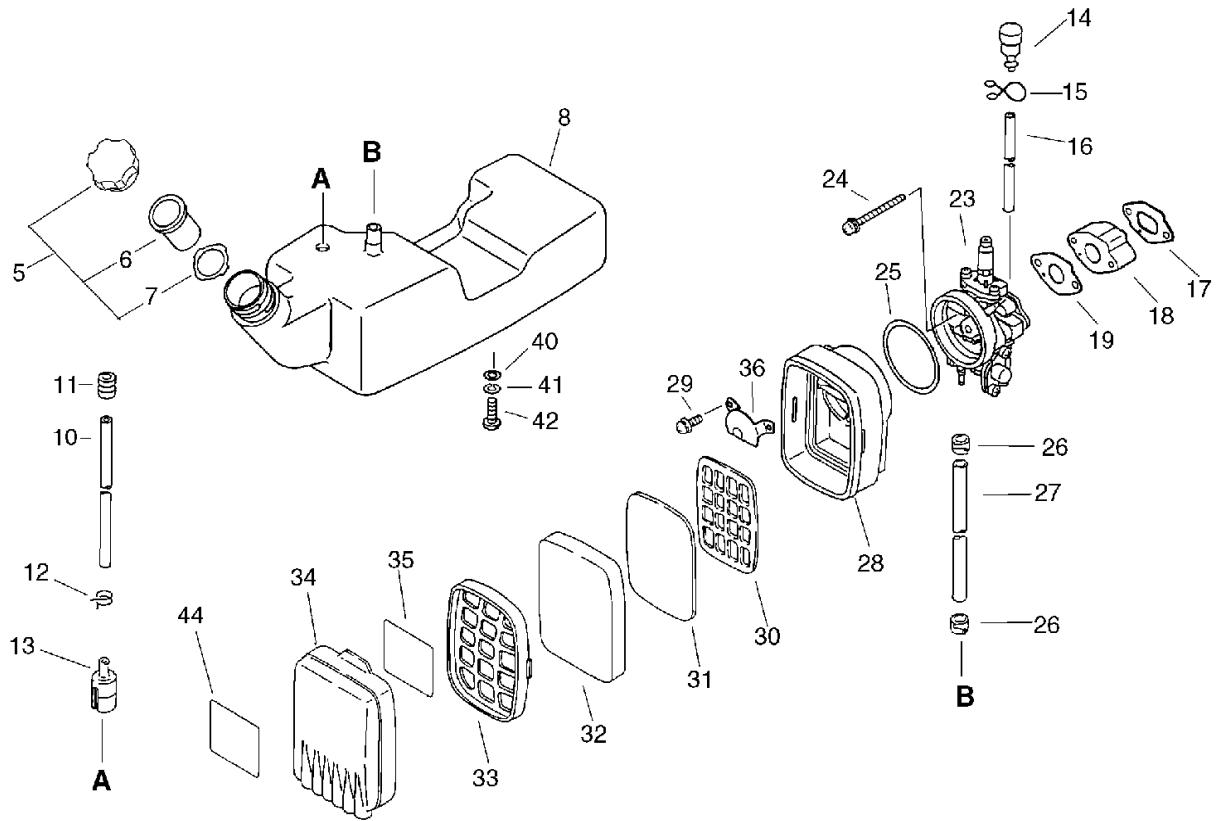
No.3



KEY	LV	PART NUMBER	Q'TY	DESCRIPTION	REMARKS	NOTE1	NOTE2
19		130016-06110	1	GASKET, INTAKE			
23		124200-06510	1	CARBURETOR ASSY	K13PR-6F		
24		900242-05055	2	SCREW 5*55 (W/W.SW)	5*55		
25		130320-05810	1	SEAL, CLEANER			
26		357013-00210	2	CLIP 11	11≧J	Sus. by 132013-14010	
26		132013-14010	2	BAND	10.5MM		
27		132010-06210	1	PIPE 7*11* 70	7*11* 70	Sus. by 132010-06410	
27		132010-06410	1	PIPE	5/16*7/16*75YL		
28		130307-03711	1	CASE, AIR CLEANER			
29		900242-04014	2	SCREW 4*14	4*14		
36		129011-05110	1	PLATE			
30		130319-03710	1	GRID, AIR CLEANER			
31		130317-03710	1	FILTER, AIR			
32		130310-02910	1	FILTER, AIR			
33		130311-03710	1	GRID, AIR CLEANER			
34		130313-03710	1	COVER, AIR CLEANER			
35		890187-03710	1	LABEL, CLEANER			
40		145642-00760	2	WASHER 6.5*18*1.6	6.5*18*1.6		
41		900605-00006	2	WASHER, SPRING 6	6		
42		900220-06014	2	SCREW +SR 6*14	6*14		
44		890080-06310	1	LABEL, CAUTION		Sus. by X505-000860	

3. Air Cleaner, Fuel Tank

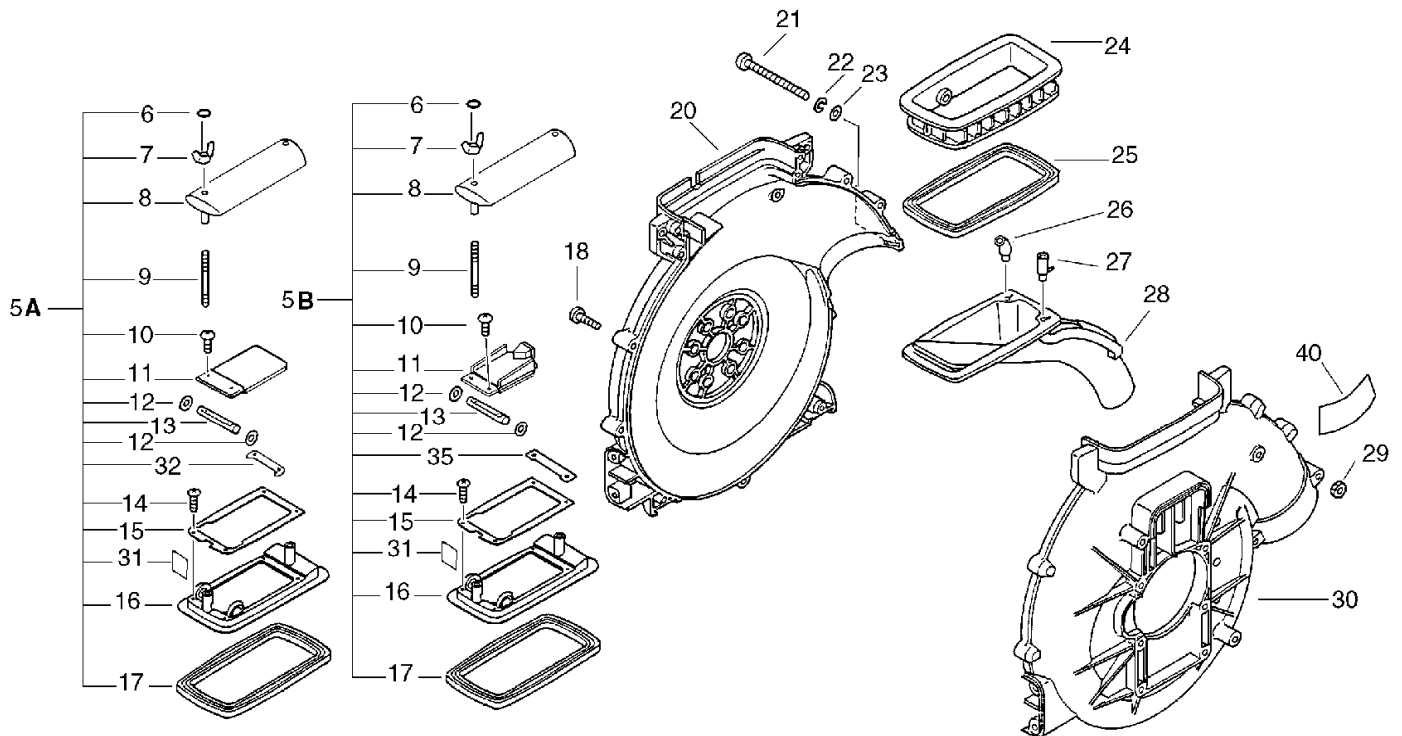
No.3



KEY	LV	PART NUMBER	Q'TY	DESCRIPTION	REMARKS	NOTE1	NOTE2
44		890016-07310	1	LABEL, CAUTION			
44		X505-000860	1	LABEL, CAUTION		Sus. by X505-000860	

4. Fan Case, Lower Tank

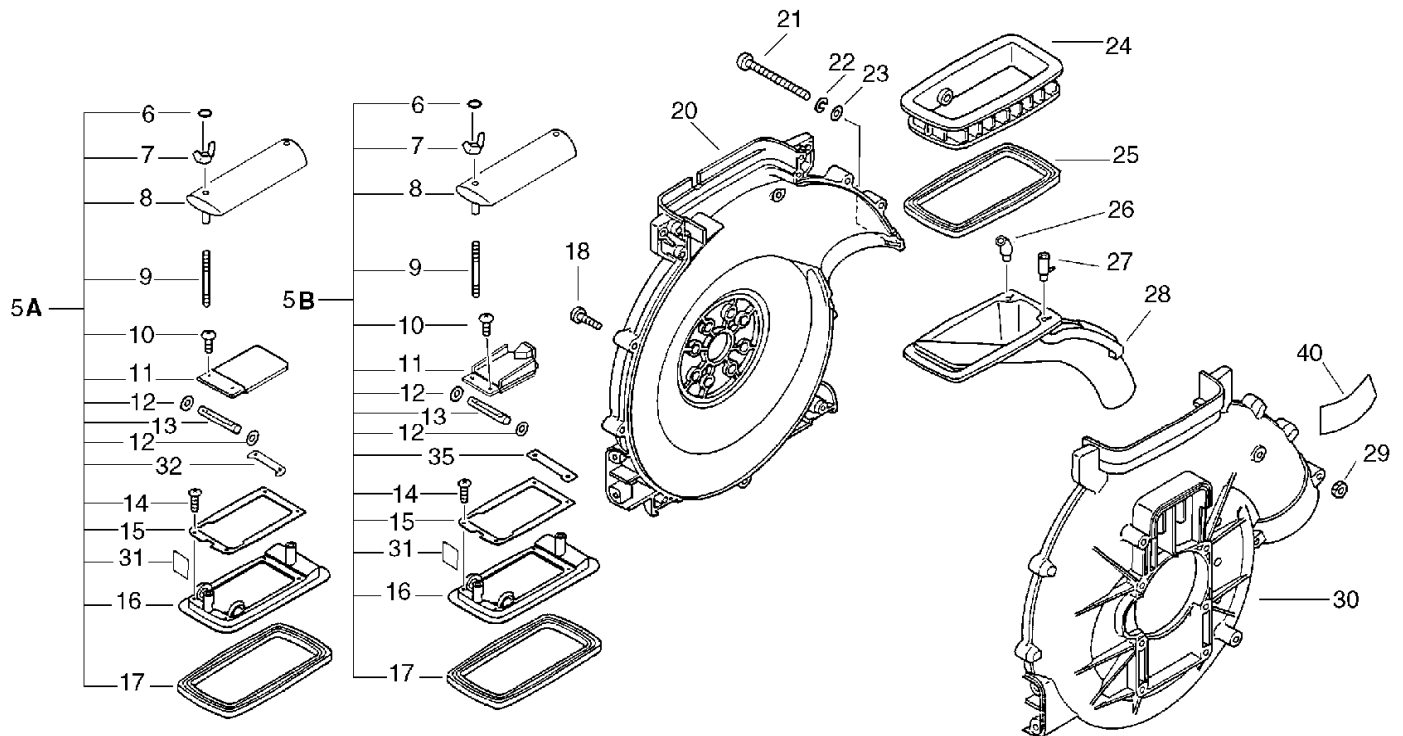
No.4



KEY	LV	PART NUMBER	Q'TY	DESCRIPTION	REMARKS	NOTE1	NOTE2
5A		275100-06210	1	SHUTTER ASSY		Sus. by 275100-06212	
5A		275100-06212	1	SHUTTER ASSY			
6	+	900720-00004	2	O-RING (P-4)	P-4		
7	+	900539-00005	2	NUT, WING 5	5		
8	+	250110-06210	1	PLATE, STABILIZER			
9	+	270015-06210	2	STUD	5*60		
10	+	900226-04010	2	SCREW, 4*10	4*10 SUS		
11	+	270145-06210	1	SHUTTER			
12	+	275123-05510	2	SPACER 10*19.5*0.3	10*19.5*0.3		
13	+	270153-06210	1	SHAFT, SHUTTER			
14	+	900295-04014	4	SCREW 4*14	4*14 SUS		
15	+	270110-06210	1	SHUTTER			
16	+	270112-06210	1	SHUTTER, METERING		Sus. by 270112-06211	
16	+	270112-06211	1	SHUTTER, METERING			
17	+	270119-06210	1	GASKET, SHUTTER			
31	+	210035-06310	1	PACKING, DUST			
32	+	270122-06210	1	PLATE, EYE		Sus. by 270122-06211	
32	+	270122-06211	1	PLATE, EYE			
5B		275100-06310	1	SHUTTER ASSY		Sus. by 275100-06314	
5B		275100-06312	1	SHUTTER ASSY		Sus. by 275100-06314	

4. Fan Case, Lower Tank

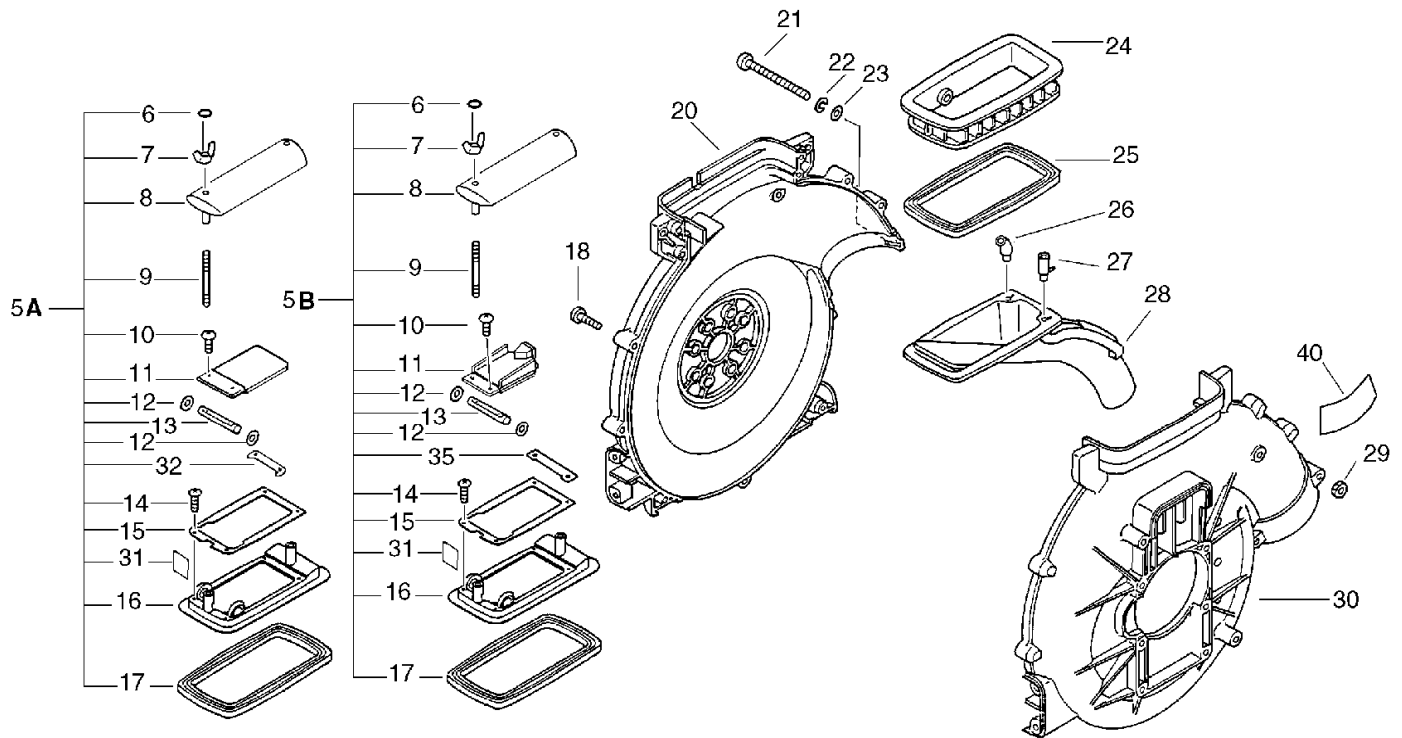
No.4



KEY	LV	PART NUMBER	Q'TY	DESCRIPTION	REMARKS	NOTE1	NOTE2
5B		275100-06313	1	SHUTTER ASY		Sus. by 275100-06314	
5B		275100-06314	1	SHUTTER ASY			
6	+	900720-00004	2	O-RING (P-4)	P-4	Sr/Nr 002000 and before	
6	+	900720-00004	1	O-RING (P-4)	P-4	Sr/Nr 002001 and after	
7	+	900539-00005	2	NUT, WING 5	5	Sr/Nr 002000 and before	
7	+	900539-00005	1	NUT, WING 5	5	Sr/Nr 002001 and after	
8	+	250110-06210	1	PLATE, STABILIZER		Sr/Nr 002000 and before	
8	+	250110-06211	1	PLATE,STABILIZER		Sr/Nr 002001 and after	
9	+	270015-06210	2	STUD	5*60	Sr/Nr 002000 and before	
9	+	270015-06210	1	STUD	5*60	Sr/Nr 002001 and after	
10	+	900226-04010	2	SCREW, 4*10	4*10 SUS		
11	+	275106-06310	1	SHUTTER, METERING		Sus. by 275106-06410	
11	+	275106-06311	1	SHUTTER, METERING		Sus. by 275106-06410	
11	+	275106-06410	1	SHUTTER ASY			
12	+	275123-05510	2	SPACER 10*19.5*0.3	10*19.5*0.3		

4. Fan Case, Lower Tank

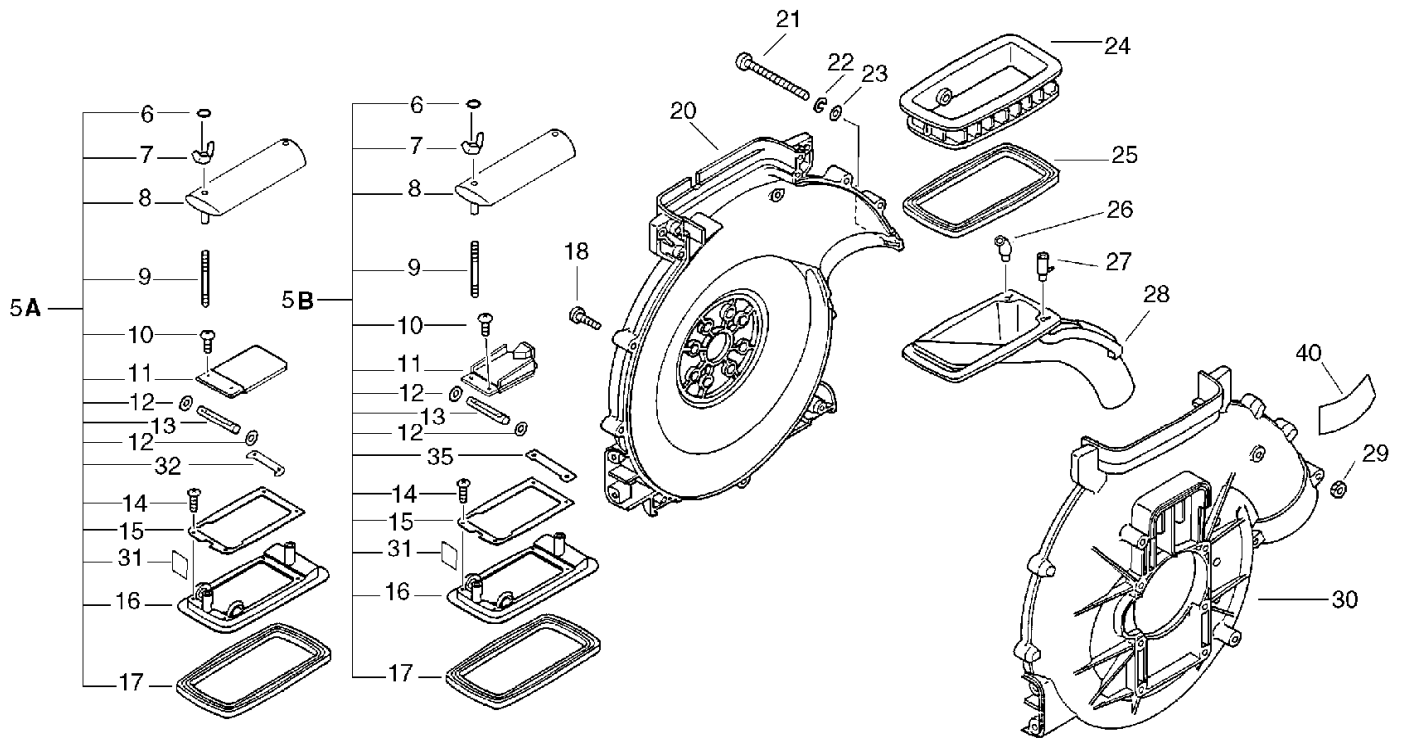
No.4



KEY	LV	PART NUMBER	Q'TY	DESCRIPTION	REMARKS	NOTE1	NOTE2
13	+	270153-06210	1	SHAFT, SHUTTER			
14	+	900295-04014	4	SCREW 4*14	4*14 SUS		
15	+	270110-06210	1	SHUTTER			
16	+	270112-06210	1	SHUTTER, METERING		Sus. by 270112-06211	
16	+	270112-06211	1	SHUTTER, METERING			
17	+	270119-06210	1	GASKET, SHUTTER			
31	+	210035-06310	1	PACKING, DUST			
35	+	270122-06211	1	PLATE, EYE			
18		900286-05025	11	SCREW 5*25 SUS	5*25 SUS		
20		200107-06210	1	CASE, FAN		Sus. by 200107-06310	
20		200107-06310	1	CASE, FAN			
21		210425-04110	2	BOLT			
22		900609-00005	2	WASHER, SPRING 5 SUS	5 SUS		
23		900604-00005	2	WASHER 5 SUS	5 SUS		
24		270010-06210	1	TANK, LOWER		Sus. by 270010-06211	
24		270010-06211	1	TANK, LOWER			
25		270018-06210	1	PACKING			
26		370321-06210	1	PLATE			
27		370316-06210	1	GUIDE, AIR			
28		370301-06210	1	PIPE, DUST OUTLET		Sus. by 370301-06211	
28		370301-06211	1	PIPE, DUST OUTLET			
29		900504-00005	2	NUT 5B	5B		

4. Fan Case, Lower Tank

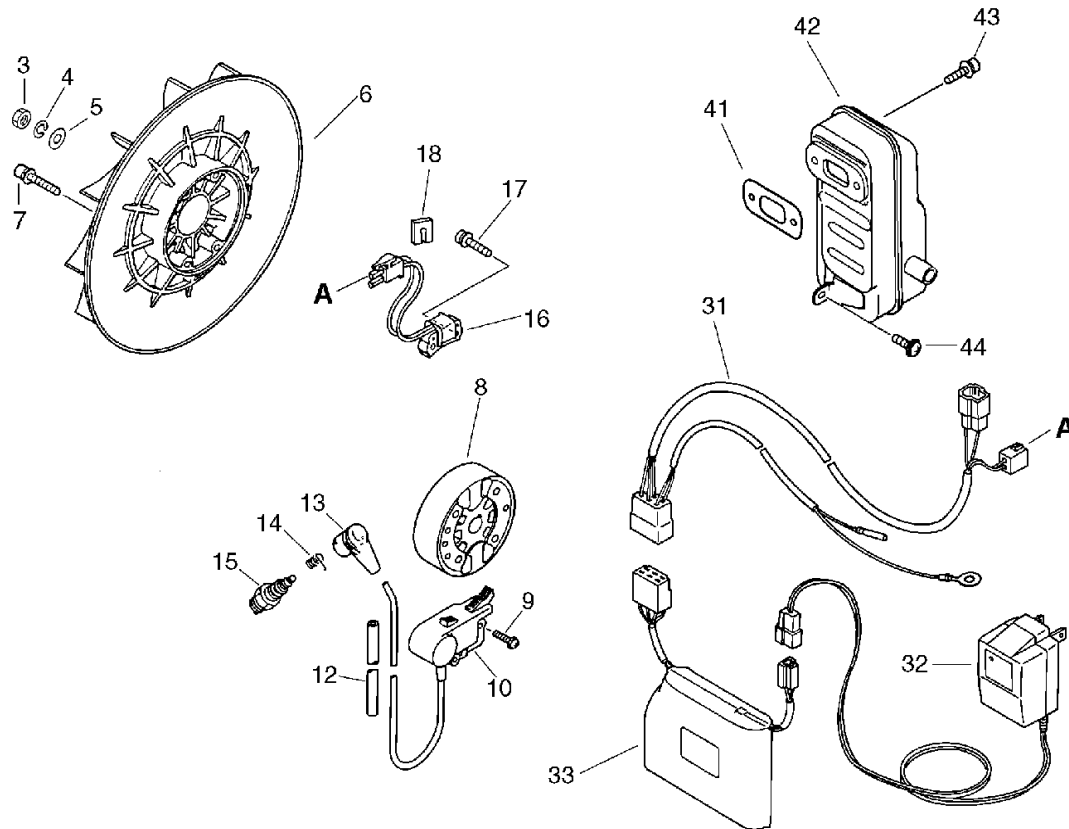
No.4



KEY	LV	PART NUMBER	Q'TY	DESCRIPTION	REMARKS	NOTE1	NOTE2
30		200105-06210	1	CASE, FAN		Sus. by 200105-06310	
30		200105-06310	1	CASE, FAN			
40		890098-06210	1	LABEL, CAUTION		Sus. by 890098-06211	
40		890098-06211	1	LABEL, CAUTION			

5. Magneto, Muffler, Battery

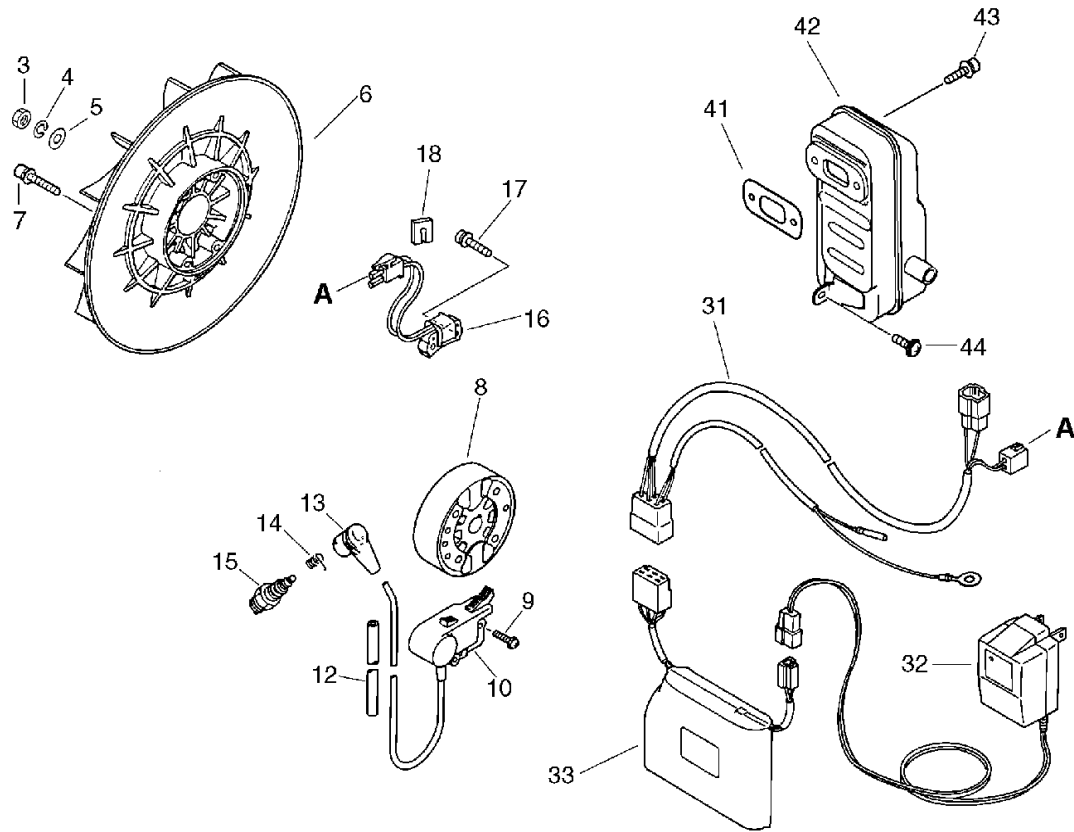
No.5



KEY	LV	PART NUMBER	Q'TY	DESCRIPTION	REMARKS	NOTE1	NOTE2
3		900501-00010	1	NUT 10*1.25	10*P1.25		
4		900605-00010	1	WASHER, SPRING 10	10		
5		900602-00010	1	WASHER 10(10.5*21*2)	10.5*21*2		
6		200005-06210	1	FAN			
7		900148-05035	4	BOLT 5*35	5*35		
8		156800-06210	1	ROTOR		Sus. by 156800-06211	
8		156800-06211	1	ROTOR			
9		900242-05018	2	SCREW 5*18	5*18		
10		156601-06210	1	C.D. GNITION MODULE		Sus. by 156601-06211	
10		156601-06211	1	C.D. IGNITION MODULE			
12		156611-04260	1	TUBE	6*8*340		
13		159012-03433	1	CAP, SPARK PLUG			
14		159011-03432	1	COIL, SPARK PLUG			
15		159010-19630	1	PLUG, SPARK (BPM-7Y)	BPM-7Y		
16		161310-48130	1	COIL, CHARGER			
17		900242-04020	2	SCREW 4*20	4*20		
18		150114-04920	1	BUSHING			
31		162080-06311	1	HARNESS, WIRE			
32		161300-06310	1	CHARGER			
33		160020-06310	1	BATTERY ASSY			
41		145510-06210	1	GASKET, MUFFLER		Sus. by 145510-06211	
41		145510-06211	1	GASKET, MUFFLER			

5. Magneto, Muffler, Battery

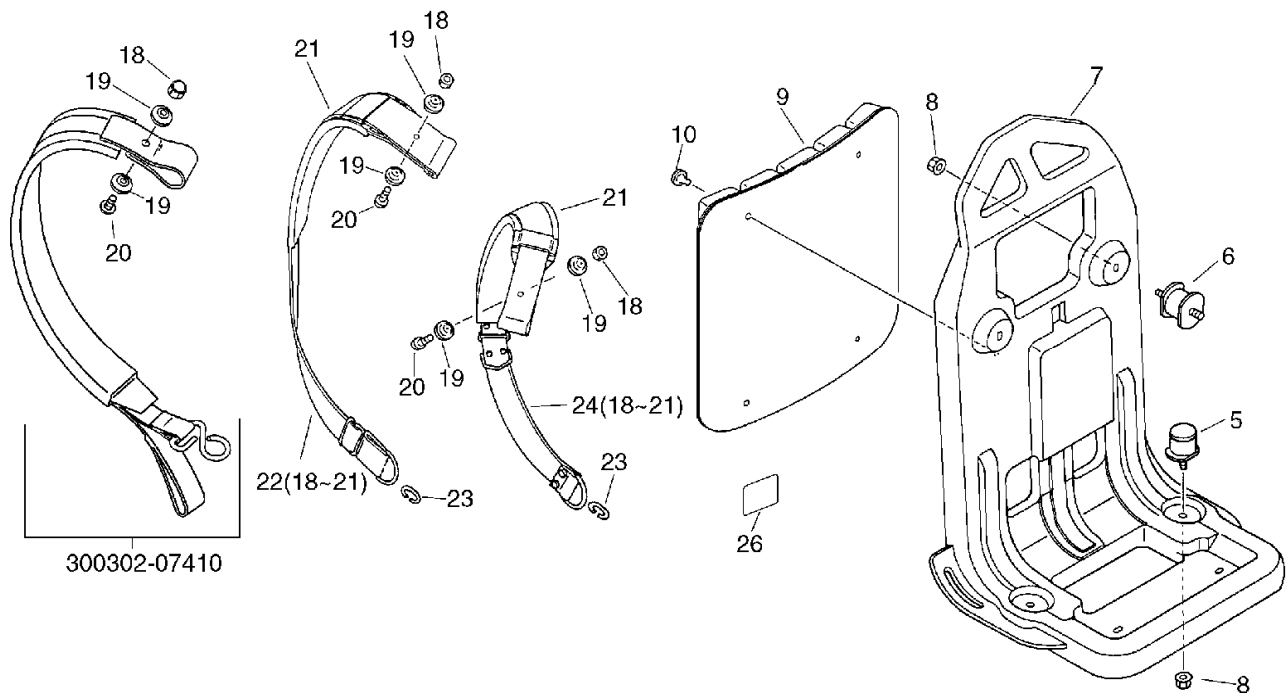
No.5



KEY	LV	PART NUMBER	Q'TY	DESCRIPTION	REMARKS	NOTE1	NOTE2
42		145610-06210	1	MUFFLER		Sus. by 145610-06212	
42		145610-06211	1	MUFFLER		Sus. by 145610-06212	
42		145610-06212	1	MUFFLER			
43		900105-06020	2	BOLT, H.S. 6*20	6*20		
44		900242-05014	1	SCREW 5*14	5*14		

6. Harness

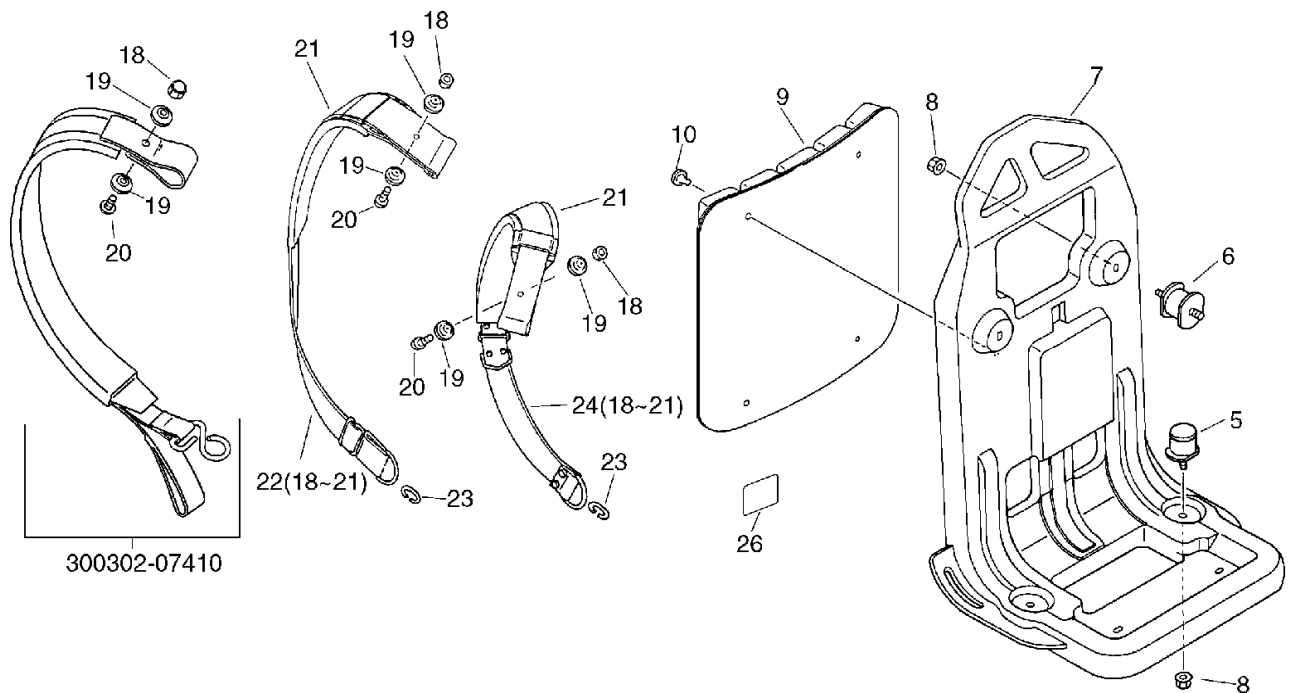
No.6



KEY	LV	PART NUMBER	Q'TY	DESCRIPTION	REMARKS	NOTE1	NOTE2
5		200916-03210	2	CUSHION			
6		200910-06210	2	CUSHION			
8		250916-06210	4	NUT			
7		300010-06410	1	FRAME, KNAPSACK			
7		300010-07310	1	FRAME, BACKPACK			
9		300111-06410	1	CUSHION, KNAPSACK		Old	
9		300111-14010	1	CUSHION, KNAPSACK		New	
10		300333-06410	4	CLIP		Old	
10		300333-06160	4	CLIP		New	
22		300302-03210	1	HARNEES W/PAD		Sus. by 300302-07410	
22		300302-07410	1	HARNESS, W/PAD			
18	+	900560-00005	1	NUT, LOCK 5	5		
19	+	300328-03210	2	WASHER, HARNESS			
20	+	900216-05014	1	SCREW 5*14	5*14	Can be used on the 300302-03210 only	
20	+	900216-05016	1	SCREW, 5*16	5*16	Can be used on the 300302-07410 only	
21	+	300322-03210	1	PAD, KNAPSACK HARNES			
23		300318-06210	2	HOOK			
24		300302-04910	1	HARNESS W/PAD		Sus. by 300302-07410	
24		300302-07410	1	HARNESS, W/PAD			
18	+	900560-00005	1	NUT, LOCK 5	5		

6. Harness

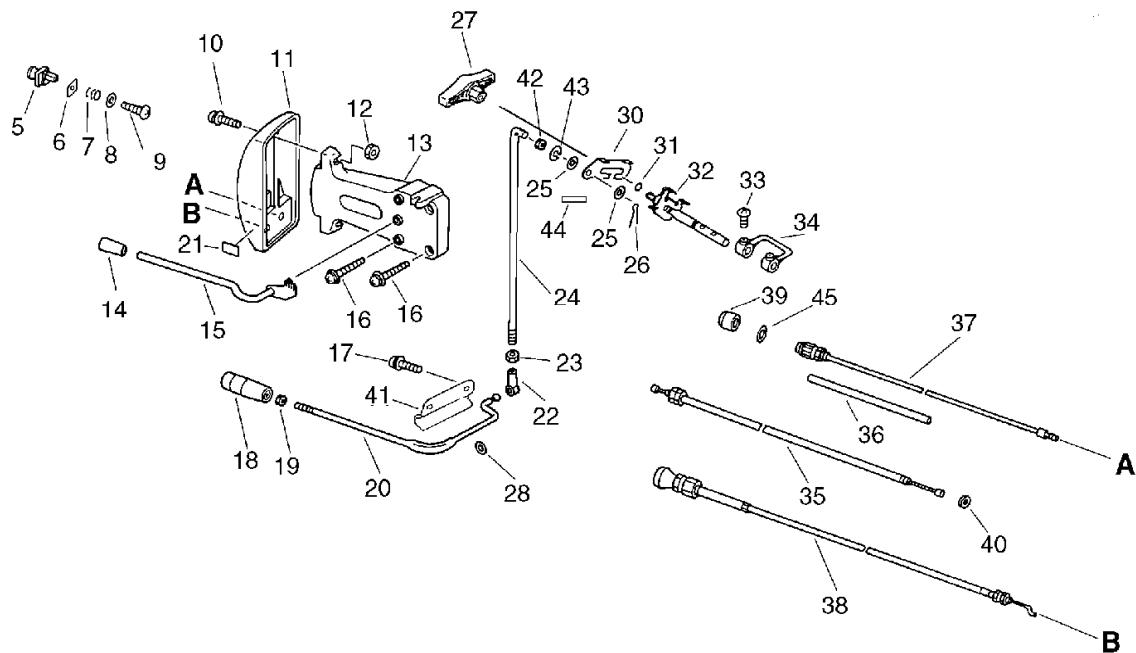
No.6



KEY	LV	PART NUMBER	Q'TY	DESCRIPTION	REMARKS	NOTE1	NOTE2
19	+	300328-03210	2	WASHER, HARNESS			
20	+	900216-05014	1	SCREW 5*14	5*14	Can be used on the 300302-04910 only	
20	+	900216-05016	1	SCREW, 5*16	5*16	Can be used on the 300302-07410 only	
21	+	300322-03210	1	PAD, KNAPSACK HARNES			
26		880850-06310	1	TAPE, MAGIC			

7. Control Lever

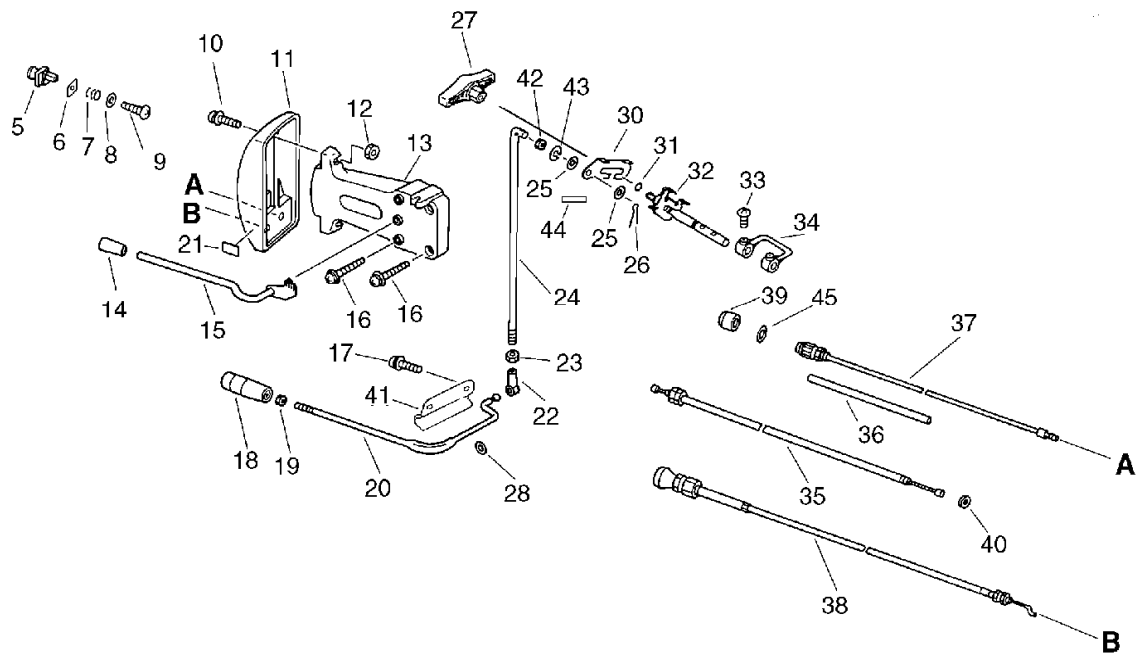
No.7



KEY	LV	PART NUMBER	Q'TY	DESCRIPTION	REMARKS	NOTE1	NOTE2
5		701027-06210	1	STOPPER, DIAL		Sus. by 701027-06212	
5		701027-06211	1	STOPPER, DIAL		Sus. by 701027-06212	
5		701027-06212	1	STOPPER, DIAL			
6		701114-06210	1	PLATE, EYE			
7		701016-06210	1	SPRING			
8		701017-06210	1	WASHER			
9		900296-04012	1	SCREW 4*12	4*12 SUS		
10		900292-05025	2	SCREW 5*25	5*25 SUS		
11		701111-06210	1	DIAL		Sus. by 701111-06212	
11		701111-06211	1	DIAL		Sus. by 701111-06212	
11		701111-06212	1	DIAL			
12		900504-00005	2	NUT 5B	5B		
13		701112-06210	1	BRACKET, DIAL			
14		701021-02910	1	KNOB, LEVER			
15		178005-06410	1	LEVER, THROTTLE		Sus. by 178005-06411	
15		178005-06411	1	LEVER, THROTTLE			
16		900286-05025	4	SCREW 5*25	SUS	5*25 SUS	
17		900286-05016	2	SCREW 5*16	SUS	5*16 SUS	
18		701007-06610	1	KNOB, LEVER			
19		900502-00006	1	NUT 6 (3N)		3N6	

7. Control Lever

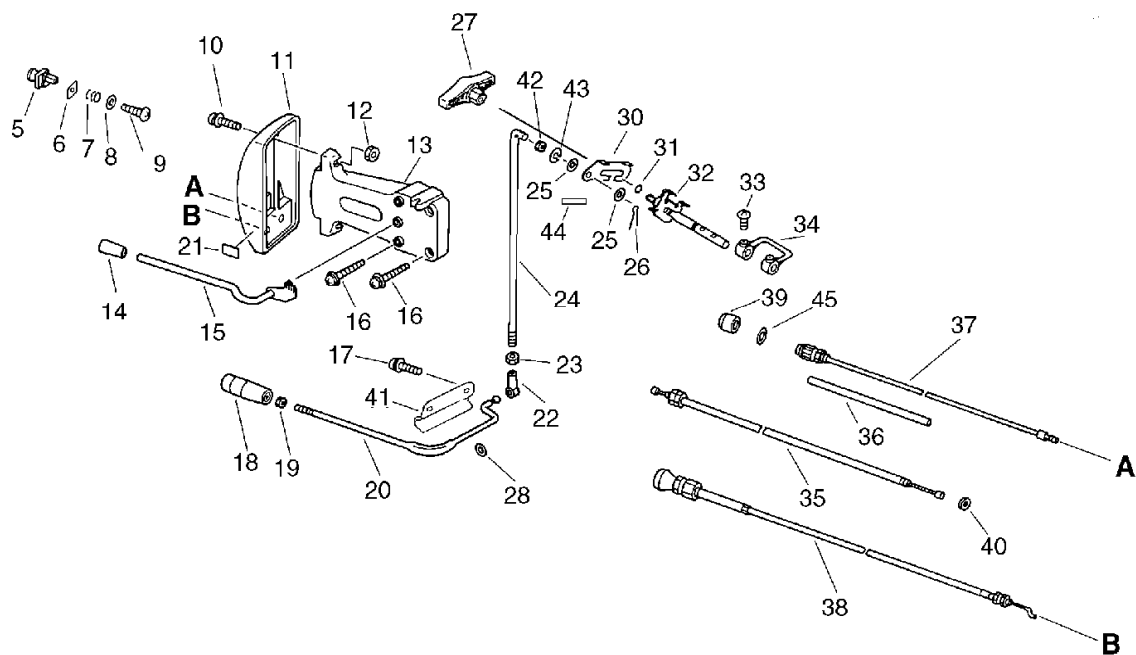
No.7



KEY	LV	PART NUMBER	Q'TY	DESCRIPTION	REMARKS	NOTE1	NOTE2
20		701010-06210	1	LEVER, CONTROL		Sus. by 701010-06610	
20		701010-06610	1	LEVER, CONTROL			
21		890026-00310	1	LABEL, CHOKE		Sus. by 890026-00311	
21		890026-00311	1	LABEL, CHOK			
22		701020-05510	1	CONNECTOR			
23		900500-00005	1	NUT 5	5		
24		701014-06210	1	ROD, CONTROL LEVER		Sus. by 701014-06510	
24		701014-06510	1	ROD, CONTROL LEVER			
25		900604-00006	2	WASHER 6(SUS)	6 SUS	Sr/Nr 002201 and after	
26		605612-06810	1	PIN, SNAP		Sr/Nr 002200 and before	
26		605612-06510	1	PIN, SNAP		Sr/Nr 002201 and after	
27		270207-04310	1	NUT (BS)		Sr/Nr 002200 and before	
28		900600-00008	1	WASHER 8	8		
30		270212-06410	1	ARM, SHUTTER		Sr/Nr 002200 and before	
30		270212-06510	1	ARM, SHUTTER		Sr/Nr 002201 and after	
31		900720-00007	1	O-RING 7	P-7		

7. Control Lever

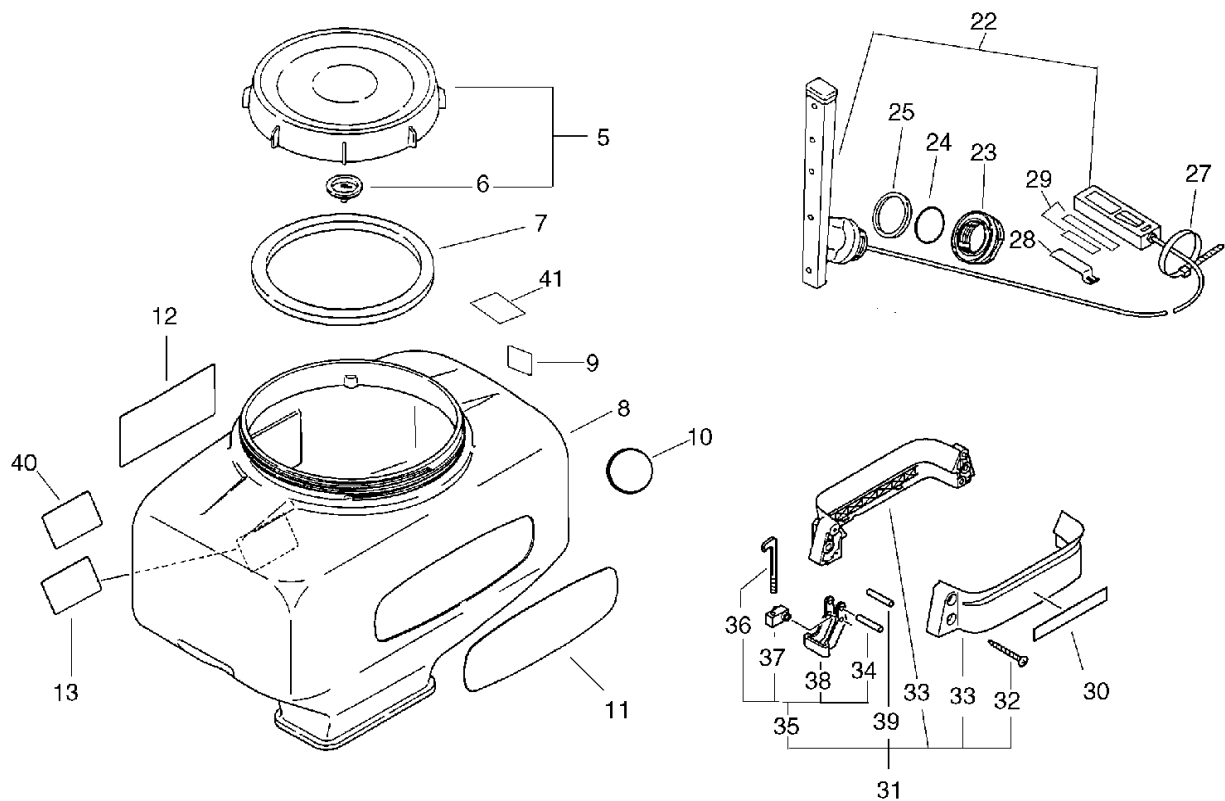
No.7



KEY	LV	PART NUMBER	Q'TY	DESCRIPTION	REMARKS	NOTE1	NOTE2
32		270205-06410	1	SHAFT, SHUTTER		Sus. by 270205-06411	
32		270205-06411	1	SHAFT, SHUTTER			
33		900292-04014	2	SCREW 4*14	4*14 SUS		
34		270216-06210	1	ARM			
35		178001-05810	1	WIRE, THROTTLE			
36		178016-07130	1	TUBE	8*9*140		
37		166101-10220	1	SWITCH			
38		175504-06310	1	CABLE, CONTROL			
39		163910-06310	1	COVER, SWITCH			
40		900503-00006	1	NUT (3N 6*0.75)	3N 6*0.75		
41		701028-06210	1	HOLDER, STOPPER			
42		900509-00006	1	NUT 6 SUS	6 SUS	Sr/Nr 002201 and after	
43		900609-00006	1	WASHER, SPRING 6 SUS	6 SUS	Sr/Nr 002201 and after	
44		890991-06510	1	LABEL		Sr/Nr 002201 and after	
45		433015-00130	1	WASHER	8.2*12*1T		

8. Chemical Tank

No.8

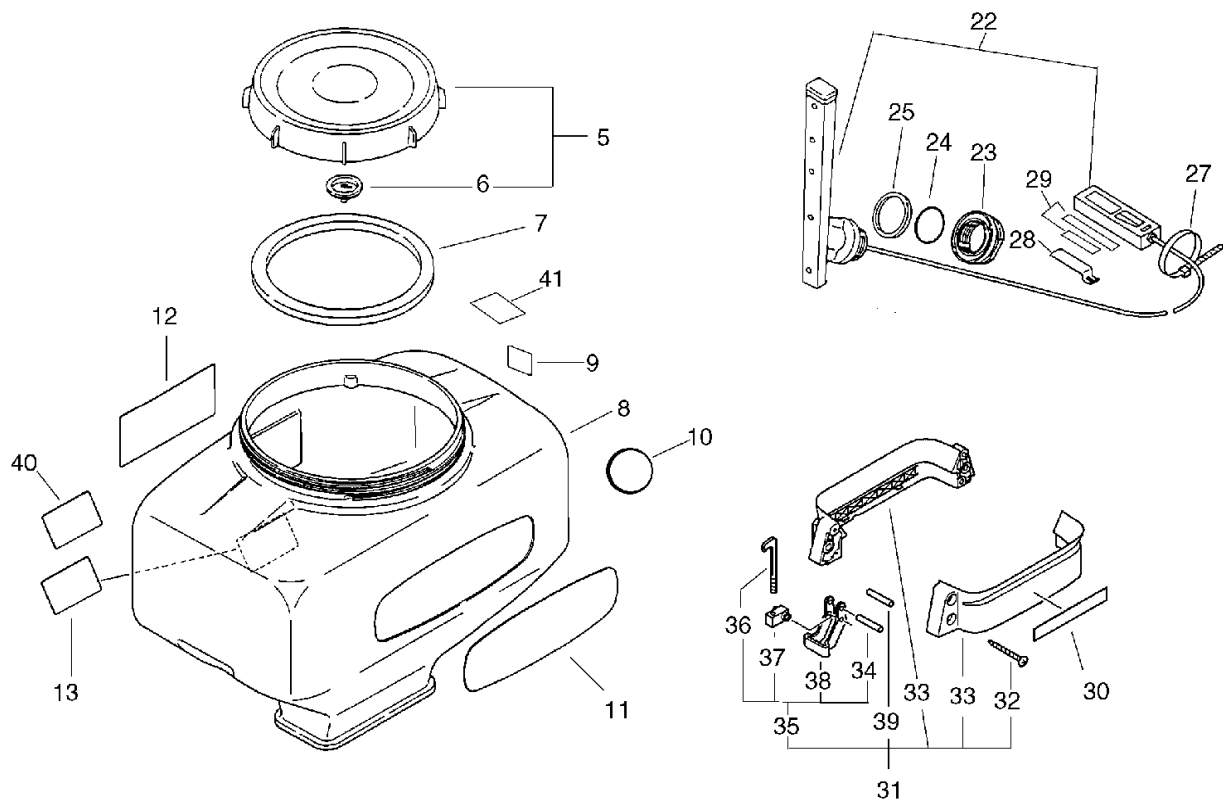


KEY	LV	PART NUMBER	Q'TY	DESCRIPTION	REMARKS	NOTE1	NOTE2
5		250001-05510	1	CAP, CHEMICAL TANK			
6	+	250013-00310	1	CAP, INSIDE			
7		250011-02011	1	PACKING			
8		250010-06510	1	TANK, CHEMICAL (23L)		Sus. by 250010-06512	
8		250010-06511	1	TANK, CHEMICAL (23L)	ザンリヨウケイタイ [®]	Sus. by 250010-06512	
8		250010-06512	1	TANK, CHEMICAL	23L		
9		880850-06210	1	TAPE, MAGIC			
10		890035-06210	1	LABEL, EYE CATCHER			
11		890012-10510	1	LABEL, KIORITZ		Sus. by 890012-07510	
12		890080-06211	1	LABEL, CAUTION			
13		890022-06310	1	LABEL		Sus. by 890080-06510	
13		890080-06610	1	LABEL, CAUTION		Sus. by 890080-06510	
13		890080-06510	1	LABEL, CAUTION			
22		250006-05510	1	LEVEL GAUGE ASSY			
23		250046-04710	1	NUT			
24		900720-00038	1	O-RING (P-38)	P-38		
25		250045-04710	1	PACKING			
27		250052-04710	1	BAND (BL)			
28		250053-05110	1	BRACKET			
29		880850-05110	1	TAPE, MAGIC			
30		890034-06510	1	LABEL, MODEL			

DMA4600

8. Chemical Tank

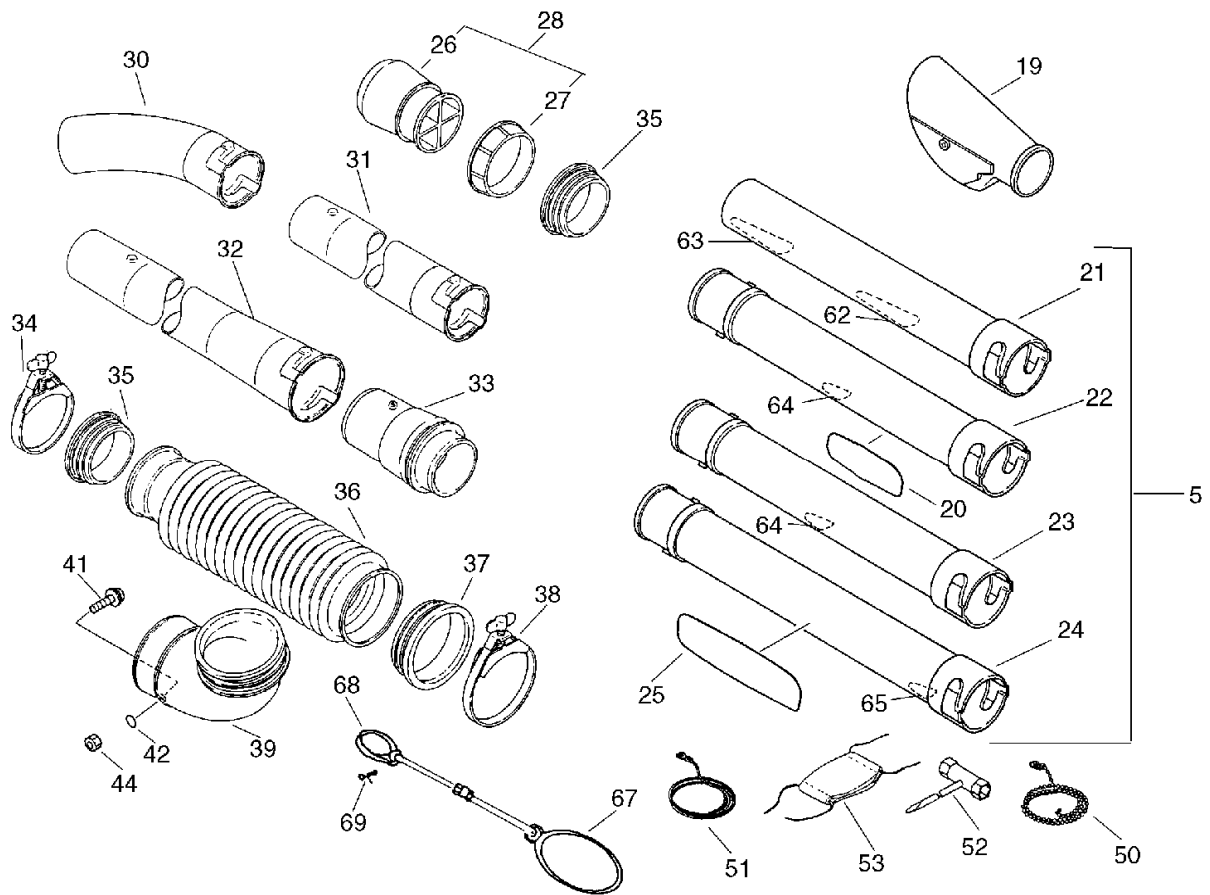
No.8



KEY	LV	PART NUMBER	Q'TY	DESCRIPTION	REMARKS	NOTE1	NOTE2
30		890065-06510	1	LABEL, MODEL		DMA4601	
31		270000-06210	1	HOLDER SET			
32	+	900286-05035	4	SCREW 5*35	5*35 SUS		
33	+	250910-06210	2	HOLDER, C. TANK			
39	+	250914-03210	2	PIN, TANK HOLDER			
35	+	250902-06210	2	BRACKET CONNECTOR			
36	+	250915-06211	2	BOLT, TANK HOLDER			
37	+	250930-06210	2	CONNECTOR, BRACKET			
38	+	250932-06210	2	BRACKET, TANK			
34	+	900333-70380	2	PIN, STRAIGHT			
40		890016-07010	1	LABEL, CAUTION		Sus. by 890016-07011	
40		890016-07011	1	LABEL, CAUTION			
41		890016-06210	1	LABEL, CAUTION		Sus. by 890016-06213	
41		890016-06211	1	LABEL, CAUTION		Sus. by 890016-06213	
41		890016-06212	1	LABEL, CAUTION		Sus. by 890016-06213	
41		890016-06213	1	LABEL, CAUTION			

9. Dust Blower, Tools

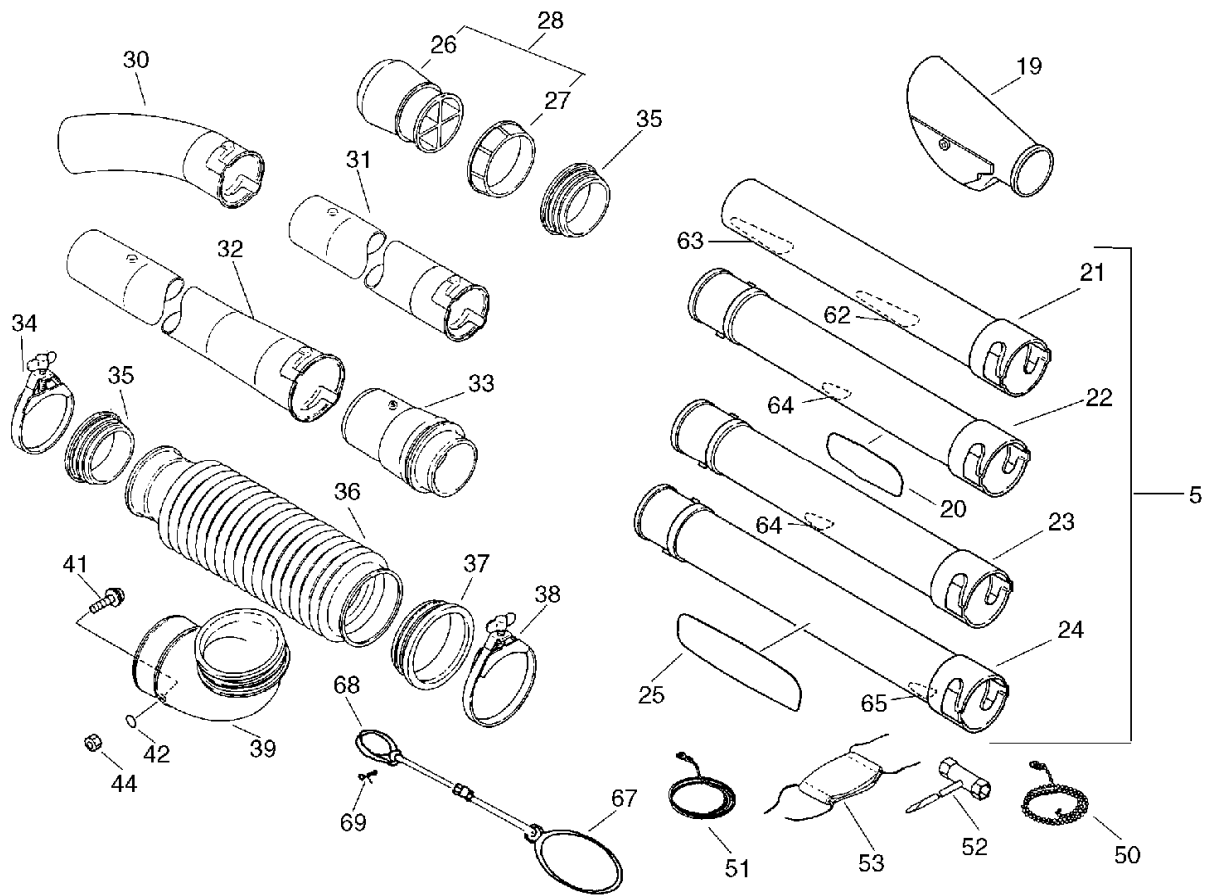
No.9



KEY	LV	PART NUMBER	Q'TY	DESCRIPTION	REMARKS	NOTE1	NOTE2
19		211500-01611	1	NOZZLE, GRANULE (SG)			
5		211400-06210	1	NOZZLE ATTCH,GRANULE			
21	+	211407-02112	1	NOZZLE (3)			
62	++	211415-02111	1	PLATE, GUIDE			
63	++	211416-02111	1	PLATE, GUIDE			
	++	900294-04008	8	SCREW 4* 8	4*8		
22	+	211406-02113	1	NOZZLE (2)			
64	++	211413-02111	1	PLATE, GUIDE			
20	++	890012-03310	2	LABEL, KIORITZ		Sus. by 890012-12710	
20	++	890012-12710	2	LABEL, KIORITZ	52*195		
	++	900294-04008	2	SCREW 4* 8	4*8		
23	+	211406-02112	1	NOZZLE (2)			
64	++	211413-02111	1	PLATE, GUIDE			
	++	900294-04008	2	SCREW 4* 8	4*8		
24	+	211405-06410	1	NOZZLE			
65	++	211417-02110	1	PLATE, GUIDE			
25	++	890036-06510	1	LABEL, MODEL			
	++	900294-04008	2	SCREW 4* 8	4*8		
28		220105-01610	1	CONNECTER KIT			
26	+	220028-01611	1	CONNECTOR			
27	+	220033-01610	1	NUT, HOLLOW			
30		210023-05510	1	PIPE, CURVED			
31		210015-05510	1	PIPE, STRAIGHT			
32		210014-05510	1	PIPE, STRAIGHT			
33		210002-04110	1	PIPE, SWIVEL (BL)			

9. Dust Blower, Tools

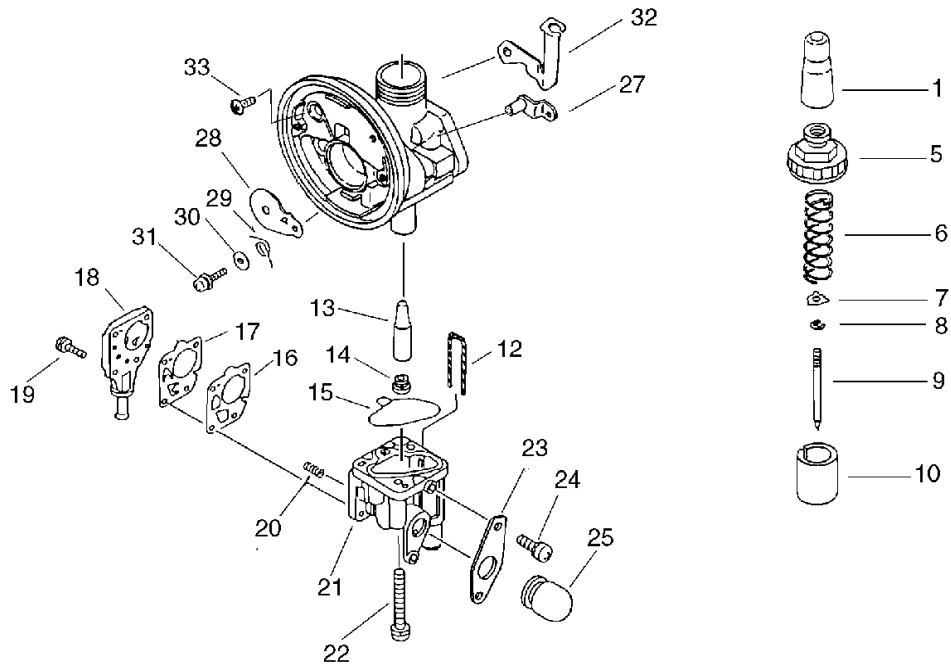
No.9



KEY	LV	PART NUMBER	Q'TY	DESCRIPTION	REMARKS	NOTE1	NOTE2
34		210407-01110	1	CLAMP, FLEXIBLE PIPE			
35		210032-04110	2	PACKING, FLX. PIPE			
36		210013-04111	1	PIPE, FLEXIBLE			
37		210036-04110	1	GASKET, FLX. PIPE			
38		210407-04110	1	CLAMP, FLEXIBLE PIPE			
39		210000-04111	1	ELBOW,BLOWING KIT(BL		Sus. by 210011-05510	
39		210011-05510	1	ELBOW, BLOWING			
41		900292-05014	1	SCREW 5*14	5*14 SUS		
42		900720-00004	1	O-RING (P-4)	P-4		
44		900504-00005	1	NUT 5B	5B		
50		898537-02910	1	CHAIN, GRAUND	リード センツキ		
51		898552-02910	1	GRAUND LEAD			
52		895410-03930	1	WRENCH, W/S. DRIVER			
53		898544-01110	1	MASK		Sus. by 898544-01111	
53		898544-01111	1	MASK			
67		300500-04110	1	STRAP ASS'Y		OPTION	
68	+	210400-00660	1	CLAMP W/SCREW		OPTION	
69	+	900220-05035	1	SCREW 5*35	5*35	OPTION	

10. Carburetor

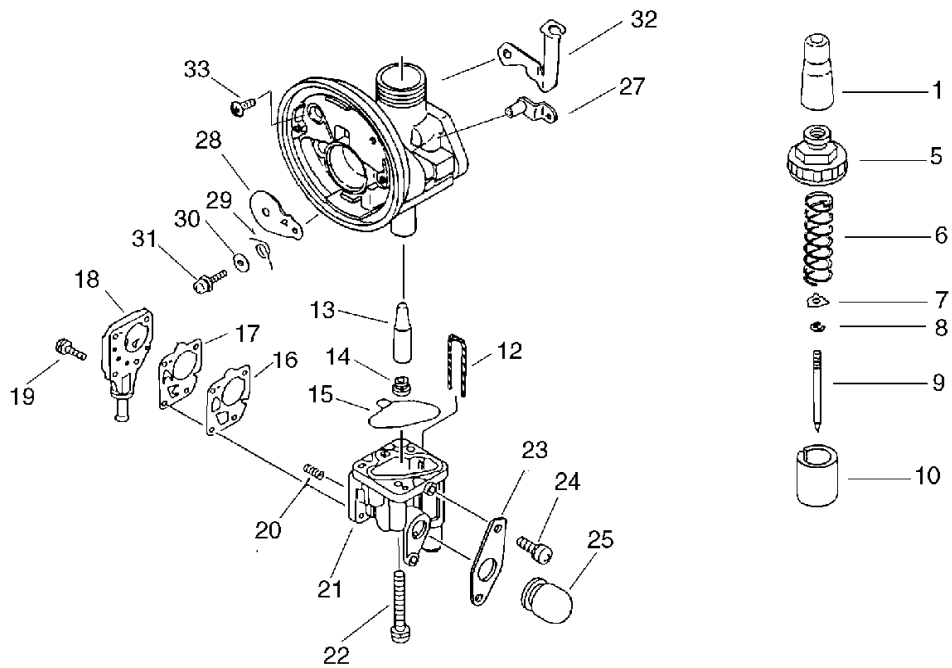
No.10



KEY	LV	PART NUMBER	Q'TY	DESCRIPTION	REMARKS	NOTE1	NOTE2
		124200-06510	1	CARBURETOR ASSY	K13PR-6F		
1	+	124174-11120	1	CAP			
5	+	124113-05910	1	COVER, TOP			
6	+	124114-11120	1	SPRING, THROTTLE			
7	+	124115-11120	1	SEAT, SPRING			
8	+	124116-05530	1	E-RING			
9	+	124117-05910	1	NEEDLE, JET			
10	+	124118-05910	1	VALVE, THROTTLE			
12	+	124182-05510	1	WIRE, DRAIN			
13	+	124162-05510	1	JET, NEEDLE			
14	+	124122-05910	1	JET, MAIN #64			
15	+	124123-05510	1	GASKET, CHAMBER			
16	+	124363-21330	1	GASKET, PUMP DIAPH.			
17	+	124364-05510	1	DIAPHRAGM, FUEL PUMP			
18	+	124365-05510	1	COVER, PUMP			
19	+	900241-03010	4	SCREW 3*10 (W/SW)	3*10		
20	+	124367-21330	2	SPRING, COIL			
21	+	124124-05910	1	CHANBER			
22	+	900241-04030	2	SCREW 4*30 (W/SW)	4*30		
23	+	124163-05510	1	PLATE			
24	+	900241-04008	2	SCREW 4*8	4*8		
25	+	124381-05511	1	CAP			
27	+	124142-05910	1	LEVER, CHOKE			
28	+	124143-11460	1	PLATE, CHOKE			
29	+	124140-05910	1	SPRING			
30	+	124150-05910	1	WASHER			

10. Carburetor

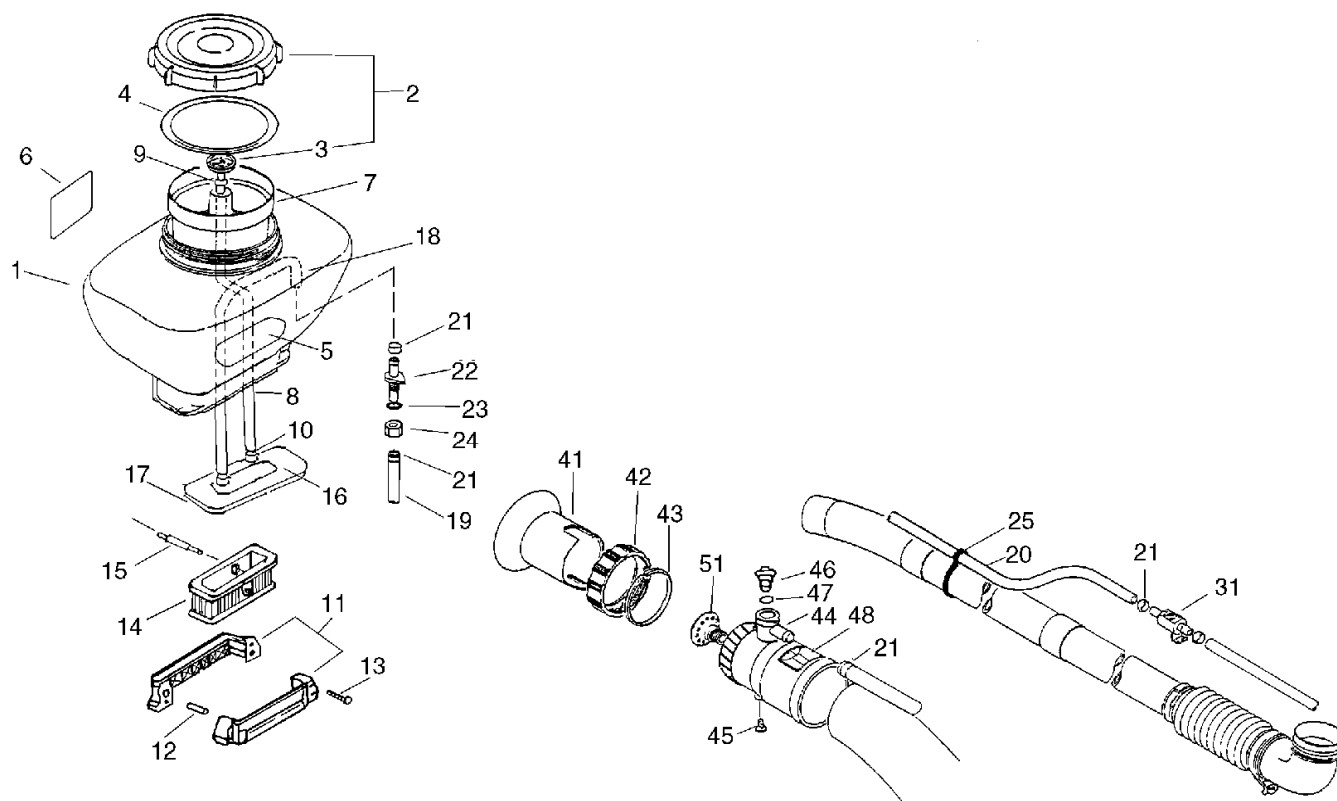
No.10



KEY	LV	PART NUMBER	Q'TY	DESCRIPTION	REMARKS	NOTE1	NOTE2
31	+	900241-03010	1	SCREW 3*10 (W/SW)	3*10		
32	+	124170-05910	1	STEY			
33	+	900204-04008	1	SCREW 4*8	-SF4*8		

11. Mist Blower

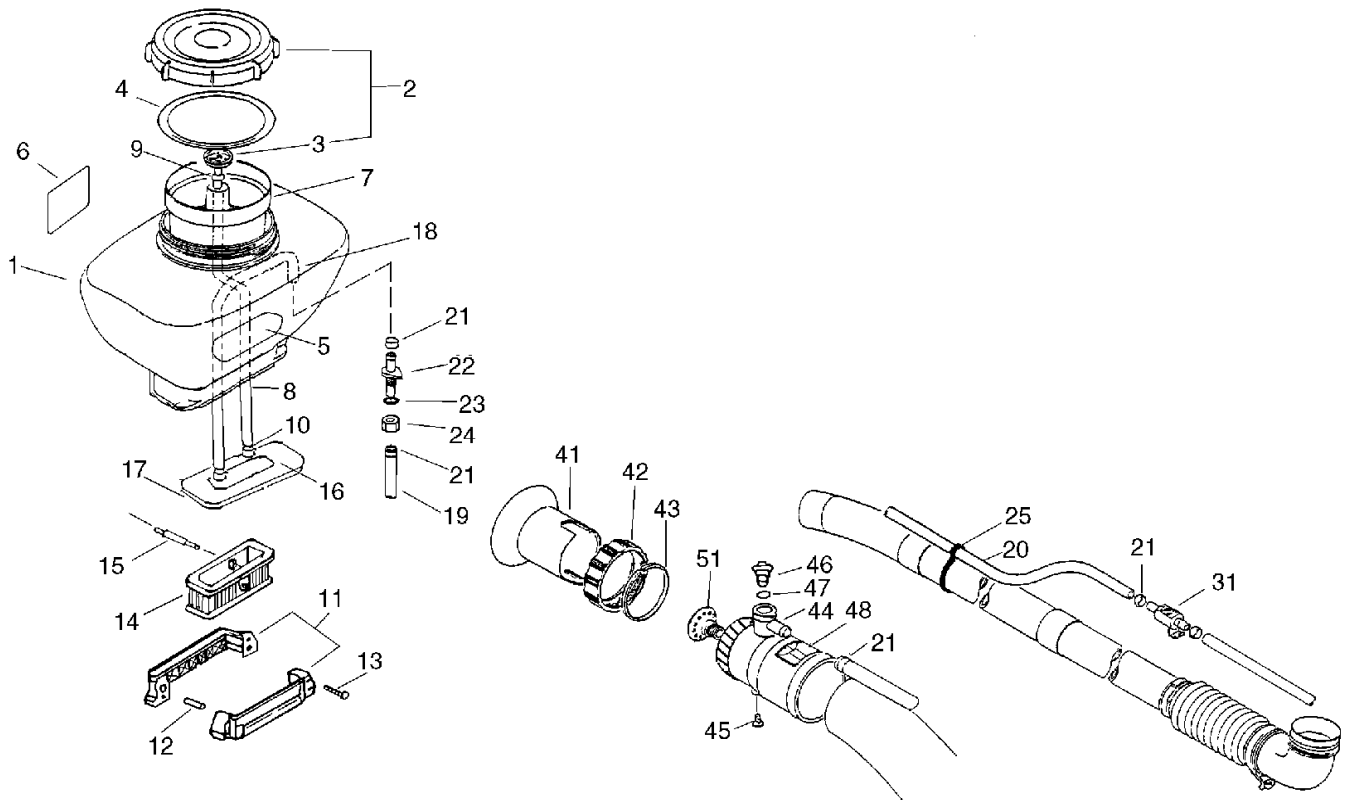
No.11



KEY	LV	PART NUMBER	Q'TY	DESCRIPTION	REMARKS	NOTE1	NOTE2
1		250010-06310	1	TANK, CHEMICAL (13L)			
1		250017-06510	1	TANK, CHEMICAL (23L)		Sus. by 250002-06510	
1		250002-06510	1	TANK KIT, CHEMICAL	23L		
2		250001-05510	1	CAP, CHEMICAL TANK			
3	+	250013-00310	1	CAP, INSIDE			
4		250011-02011	1	PACKING			
5		890012-03310	1	LABEL, KIORITZ		Sus. by 890012-12710	
5		890012-12710	1	LABEL, KIORITZ	52*195		
5		890012-10510	1	LABEL, KIORITZ		Sus. by 890012-07510	
5		890012-07510	1	LABEL, KIORITZ			
6		890031-06210	1	LABEL, MIST			
7		254210-03210	1	FILTER			
8		363014-00310	1	PIPE (INNER)	7*11*400BL		
8		363014-03210	1	PIPE (INNER)	7*11*500BL		
9		363023-01110	1	CLIP			
10		357013-00210	1	CLIP 11	11≧J	Sus. by 132013-14010	
10		132013-14010	1	BAND	10.5MM		
11		250910-06210	2	HOLDER, C. TANK			
12		250914-03210	2	PIN, TANK HOLDER			
13		900286-05035	4	SCREW 5*35	5*35 SUS		
14		270010-06210	1	TANK, LOWER		Sus. by 270010-06211	

11. Mist Blower

No.11



KEY	LV	PART NUMBER	Q'TY	DESCRIPTION	REMARKS	NOTE1	NOTE2
14		270010-06211	1	TANK, LOWER			
15		701033-06210	1	PIN, STRAIGHT 10		Sus. by 701033-06211	
15		701033-06211	1	PIN, STRAIGHT 10			
16		253010-06210	1	PLATE, BASE			
17		270119-06210	1	GASKET, SHUTTER			
18		355011-01110	1	PIPE	13*9*350L		
19		357032-01110	1	PIPE (L-720)	9*13*720		
20		357012-01110	1	PIPE (L-1050)	9*13*1050		
21		357023-01110	5	CLIP 13			
22		357010-01110	1	NIPPLE, OUTLET			
23		357014-01110	1	O-RING	3*13		
24		357015-01110	1	NUT, HOLLOW			
25		357911-00110	1	CLIP, PIPE			
31		358100-01110	1	VALVE ASS'Y, PIPE			
		212500-01111	1	NOZZLE ASS'Y, MISTBL			
41	+	212515-01110	1	COLLAR, NOZZLE			
42	+	212514-01110	1	NUT, MISTING NOZZLE			
43	+	212513-01110	1	RING, MISTING NOZZLE			
44	+	212501-01111	1	HEAD, NOZZLE BL	BL		
45	+	212511-01110	1	SCREW, MIST. NOZZLE			
46	+	212516-01110	1	VALVE, MISTING			
47	+	900720-00012	1	O-RING 12	P-12		
48	+	890031-01110	1	LABEL, MIST			
51	+	222000-01110	1	NOZZLE			

Index

Patrs Number	Key No.	Patrs Number	Key No.	Patrs Number	Key No.
100000-03210	1 - 11	130010-06410	1 - 9	159011-03432	5 - 14
100011-10530	1 - 12	130016-06110	3 - 19	159012-03433	5 - 13
100012-12330	1 - 31	130016-06410	3 - 17	159129-08260	1 - 25
100012-12331	1 - 31	130017-06410	3 - 18	160020-06310	5 - 33
100013-00410	1 - 13	130307-03711	3 - 28	160301-06310	2 - 11
100015-00120	1 - 14	130310-02910	3 - 32	160305-06310	2 - 40
100100-06210	1 - 30	130311-03710	3 - 33	160305-56430	2 - 40
100204-06310	1 - 18	130313-03710	3 - 34	160306-06310	2 - 38
100204-06311	1 - 18	130317-03710	3 - 31	160353-06310	2 - 27
100213-00310	1 - 24	130319-03710	3 - 30	160510-06310	2 - 9
100213-00310	1 - 24	130320-05810	3 - 25	160511-06310	2 - 10
100213-02830	1 - 21	131003-05330	3 - 6	160515-06310	2 - 41
100215-03930	1 - 19	131004-06210	3 - 5	160601-06310	2 - 37
100242-10720	1 - 22	131004-07132	3 - 5	160612-06210	2 - 6
100242-10721	1 - 22	131005-06310	3 - 8	160612-06310	2 - 5
101010-10721	1 - 10	131005-06311	3 - 8	160616-06310	2 - 39
101010-10722	1 - 10	131005-06312	3 - 8	160617-06310	2 - 36
101011-08260	1 - 6	131005-06313	3 - 8	161300-06310	5 - 32
101011-08261	1 - 6	131016-21060	3 - 7	161310-48130	5 - 16
101514-06210	1 - 3	131016-21230	3 - 7	162080-06311	5 - 31
101514-06410	1 - 8	131205-19830	3 - 13	163910-06310	7 - 39
104016-06210	1 - 34	132001-05510	3 - 14	166101-10220	7 - 37
104016-06410	1 - 34	132010-06210	3 - 27	175504-06310	7 - 38
124113-05910	10 - 5	132010-06410	3 - 27	177200-06310	2 - 20
124114-11120	10 - 6	132010-06530	3 - 16	177200-06311	2 - 20
124115-11120	10 - 7	132010-35430	3 - 10	177202-06310	2 - 13
124116-05530	10 - 8	132013-05060	3 - 15	177210-06310	2 - 15
124117-05910	10 - 9	132013-14010	11 - 10	177214-06310	2 - 22
124118-05910	10 - 10	132013-14010	3 - 26	177215-06310	2 - 31
124122-05910	10 - 14	132013-26630	3 - 12	177216-06310	2 - 23
124123-05510	10 - 15	132115-12330	3 - 11	177218-06210	2 - 17
124124-05910	10 - 21	145510-06210	5 - 41	177218-06310	2 - 29
124140-05910	10 - 29	145510-06211	5 - 41	177220-06310	2 - 35
124142-05910	10 - 27	145512-06210	1 - 4	177226-06310	2 - 32
124143-11460	10 - 28	145512-06211	1 - 4	177227-42030	2 - 33
124150-05910	10 - 30	145610-06210	5 - 42	177228-11120	2 - 34
124162-05510	10 - 13	145610-06211	5 - 42	177232-06310	2 - 19
124163-05510	10 - 23	145610-06212	5 - 42	177233-06310	2 - 26
124170-05910	10 - 32	145642-00760	3 - 40	177234-05960	2 - 16
124174-11120	10 - 1	150112-00310	1 - 27	177234-06310	2 - 30
124182-05510	10 - 12	150114-04920	5 - 18	177234-42030	2 - 18
124200-06510	10 -	150114-06310	2 - 12	177236-06310	2 - 21
124200-06510	3 - 23	150614-02910	1 - 29	177239-06310	2 - 24
124363-21330	10 - 16	156601-06210	5 - 10	177262-06310	2 - 25
124364-05510	10 - 17	156601-06211	5 - 10	178001-05810	7 - 35
124365-05510	10 - 18	156611-04260	5 - 12	178005-06410	7 - 15
124367-21330	10 - 20	156800-06210	5 - 8	178005-06411	7 - 15
124381-05511	10 - 25	156800-06211	5 - 8	178016-07130	7 - 36
129011-05110	3 - 36	159010-19630	5 - 15	200005-06210	5 - 6

Index

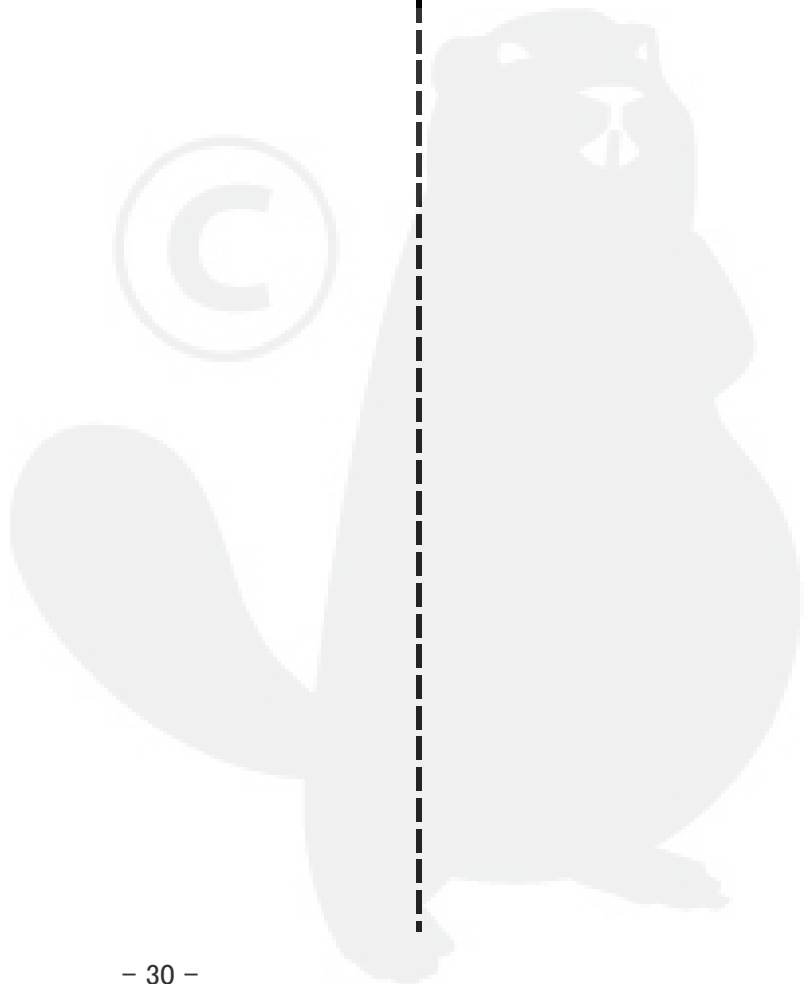
Patrs Number	Key No.	Patrs Number	Key No.	Patrs Number	Key No.
200105-06210	4 - 30	250010-06511	8 - 8	270205-06410	7 - 32
200105-06310	4 - 30	250010-06512	8 - 8	270205-06411	7 - 32
200107-06210	4 - 20	250011-02011	11 - 4	270207-04310	7 - 27
200107-06310	4 - 20	250011-02011	8 - 7	270212-06410	7 - 30
200910-06210	6 - 6	250013-00310	11 - 3	270212-06510	7 - 30
200916-03210	6 - 5	250013-00310	8 - 6	270216-06210	7 - 34
210000-04111	9 - 39	250017-06510	11 - 1	275100-06210	4 - 5A
210002-04110	9 - 33	250045-04710	8 - 25	275100-06212	4 - 5A
210011-05510	9 - 39	250046-04710	8 - 23	275100-06310	4 - 5B
210013-04111	9 - 36	250052-04710	8 - 27	275100-06312	4 - 5B
210014-05510	9 - 32	250053-05110	8 - 28	275100-06313	4 - 5B
210015-05510	9 - 31	250110-06210	4 - 8	275100-06314	4 - 5B
210023-05510	9 - 30	250110-06210	4 - 8	275106-06310	4 - 11
210032-04110	9 - 35	250110-06211	4 - 8	275106-06311	4 - 11
210035-06310	4 - 31	250902-06210	8 - 35	275106-06410	4 - 11
210035-06310	4 - 31	250910-06210	11 - 11	275123-05510	4 - 12
210036-04110	9 - 37	250910-06210	8 - 33	275123-05510	4 - 12
210400-00660	9 - 68	250914-03210	11 - 12	300010-06410	6 - 7
210407-01110	9 - 34	250914-03210	8 - 39	300010-07310	6 - 7
210407-04110	9 - 38	250915-06211	8 - 36	300029-06310	2 - 47
210425-04110	4 - 21	250916-06210	6 - 8	300111-06410	6 - 9
211400-06210	9 - 5	250930-06210	8 - 37	300111-14010	6 - 9
211405-06410	9 - 24	250932-06210	8 - 38	300302-03210	6 - 22
211406-02112	9 - 23	253010-06210	11 - 16	300302-04910	6 - 24
211406-02113	9 - 22	254210-03210	11 - 7	300302-07410	6 - 22
211407-02112	9 - 21	270000-06210	8 - 31	300302-07410	6 - 24
211413-02111	9 - 64	270010-06210	11 - 14	300318-06210	6 - 23
211413-02111	9 - 64	270010-06210	4 - 24	300322-03210	6 - 21
211415-02111	9 - 62	270010-06211	11 - 14	300322-03210	6 - 21
211416-02111	9 - 63	270010-06211	4 - 24	300328-03210	6 - 19
211417-02110	9 - 65	270015-06210	4 - 9	300328-03210	6 - 19
211500-01611	9 - 19	270015-06210	4 - 9	300333-06160	6 - 10
212500-01111	11 -	270015-06210	4 - 9	300333-06410	6 - 10
212501-01111	11 - 44	270018-06210	4 - 25	300500-04110	9 - 67
212511-01110	11 - 45	270110-06210	4 - 15	355011-01110	11 - 18
212513-01110	11 - 43	270110-06210	4 - 15	357010-01110	11 - 22
212514-01110	11 - 42	270112-06210	4 - 16	357012-01110	11 - 20
212515-01110	11 - 41	270112-06210	4 - 16	357013-00210	11 - 10
212516-01110	11 - 46	270112-06211	4 - 16	357013-00210	3 - 26
220028-01611	9 - 26	270112-06211	4 - 16	357014-01110	11 - 23
220033-01610	9 - 27	270119-06210	11 - 17	357015-01110	11 - 24
220105-01610	9 - 28	270119-06210	4 - 17	357023-01110	11 - 21
222000-01110	11 - 51	270119-06210	4 - 17	357032-01110	11 - 19
250001-05510	11 - 2	270122-06210	4 - 32	357911-00110	11 - 25
250001-05510	8 - 5	270122-06211	4 - 32	358100-01110	11 - 31
250002-06510	11 - 1	270122-06211	4 - 35	363014-00310	11 - 8
250006-05510	8 - 22	270145-06210	4 - 11	363014-03210	11 - 8
250010-06310	11 - 1	270153-06210	4 - 13	363023-01110	11 - 9
250010-06510	8 - 8	270153-06210	4 - 13	370301-06210	4 - 28

Index

Patrs Number	Key No.	Patrs Number	Key No.	Patrs Number	Key No.
370301-06211	4 - 28	890035-06210	8 - 10	900286-05035	11 - 13
370316-06210	4 - 27	890036-06510	9 - 25	900286-05035	8 - 32
370321-06210	4 - 26	890050-06310	2 - 48	900292-04014	7 - 33
433015-00130	7 - 45	890053-00462	2 - 46	900292-05014	9 - 41
605612-06510	7 - 26	890053-56330	2 - 46	900292-05020	1 - 35
605612-06810	7 - 26	890065-06510	8 - 30	900292-05025	1 - 28
701007-06610	7 - 18	890080-06211	8 - 12	900292-05025	7 - 10
701010-06210	7 - 20	890080-06310	3 - 44	900294-04008	9 -
701010-06610	7 - 20	890080-06510	8 - 13	900294-04008	9 -
701014-06210	7 - 24	890080-06610	8 - 13	900294-04008	9 -
701014-06510	7 - 24	890098-06210	4 - 40	900294-04008	9 -
701016-06210	7 - 7	890098-06211	4 - 40	900295-04014	4 - 14
701017-06210	7 - 8	890187-03710	3 - 35	900295-04014	4 - 14
701020-05510	7 - 22	890991-06510	7 - 44	900296-04012	7 - 9
701021-02910	7 - 14	895410-03930	9 - 52	900323-03014	1 - 33
701027-06210	7 - 5	898537-02910	9 - 50	900333-70380	8 - 34
701027-06211	7 - 5	898544-01110	9 - 53	900500-00005	7 - 23
701027-06212	7 - 5	898544-01111	9 - 53	900501-00010	5 - 3
701028-06210	7 - 41	898552-02910	9 - 51	900502-00006	7 - 19
701033-06210	11 - 15	900105-06020	5 - 43	900503-00006	7 - 40
701033-06211	11 - 15	900148-05035	5 - 7	900504-00005	4 - 29
701111-06210	7 - 11	900162-04030	2 - 45	900504-00005	7 - 12
701111-06211	7 - 11	900162-05020	1 - 5	900504-00005	9 - 44
701111-06212	7 - 11	900204-04008	10 - 33	900509-00006	7 - 42
701112-06210	7 - 13	900216-05014	6 - 20	900539-00005	4 - 7
701114-06210	7 - 6	900216-05014	6 - 20	900539-00005	4 - 7
880850-05110	8 - 29	900216-05016	6 - 20	900539-00005	4 - 7
880850-06210	8 - 9	900216-05016	6 - 20	900560-00005	6 - 18
880850-06310	6 - 26	900220-05035	9 - 69	900560-00005	6 - 18
890012-03310	11 - 5	900220-06014	3 - 42	900600-00004	2 - 8
890012-03310	9 - 20	900226-04010	4 - 10	900600-00008	7 - 28
890012-07510	11 - 5	900226-04010	4 - 10	900600-00010	2 - 4
890012-10510	11 - 5	900241-03008	2 - 43	900602-00010	5 - 5
890012-10510	8 - 11	900241-03010	10 - 19	900604-00005	4 - 23
890012-12710	11 - 5	900241-03010	10 - 31	900604-00006	7 - 25
890012-12710	9 - 20	900241-04008	10 - 24	900605-00004	2 - 7
890016-06210	8 - 41	900241-04030	10 - 22	900605-00006	3 - 41
890016-06211	8 - 41	900242-04014	3 - 29	900605-00010	5 - 4
890016-06212	8 - 41	900242-04020	5 - 17	900609-00005	4 - 22
890016-06213	8 - 41	900242-05010	1 - 7	900609-00006	7 - 43
890016-07010	8 - 40	900242-05014	5 - 44	900700-00004	2 - 14
890016-07011	8 - 40	900242-05016	1 - 26	900702-00035	1 - 23
890016-07310	3 - 44	900242-05018	1 - 26	900720-00004	4 - 6
890022-06310	8 - 13	900242-05018	5 - 9	900720-00004	4 - 6
890026-00310	7 - 21	900242-05040	1 - 20	900720-00004	4 - 6
890026-00311	7 - 21	900242-05055	3 - 24	900720-00004	9 - 42
890031-01110	11 - 48	900286-05016	7 - 17	900720-00007	7 - 31
890031-06210	11 - 6	900286-05025	4 - 18	900720-00012	11 - 47
890034-06510	8 - 30	900286-05025	7 - 16	900720-00038	8 - 24

Index

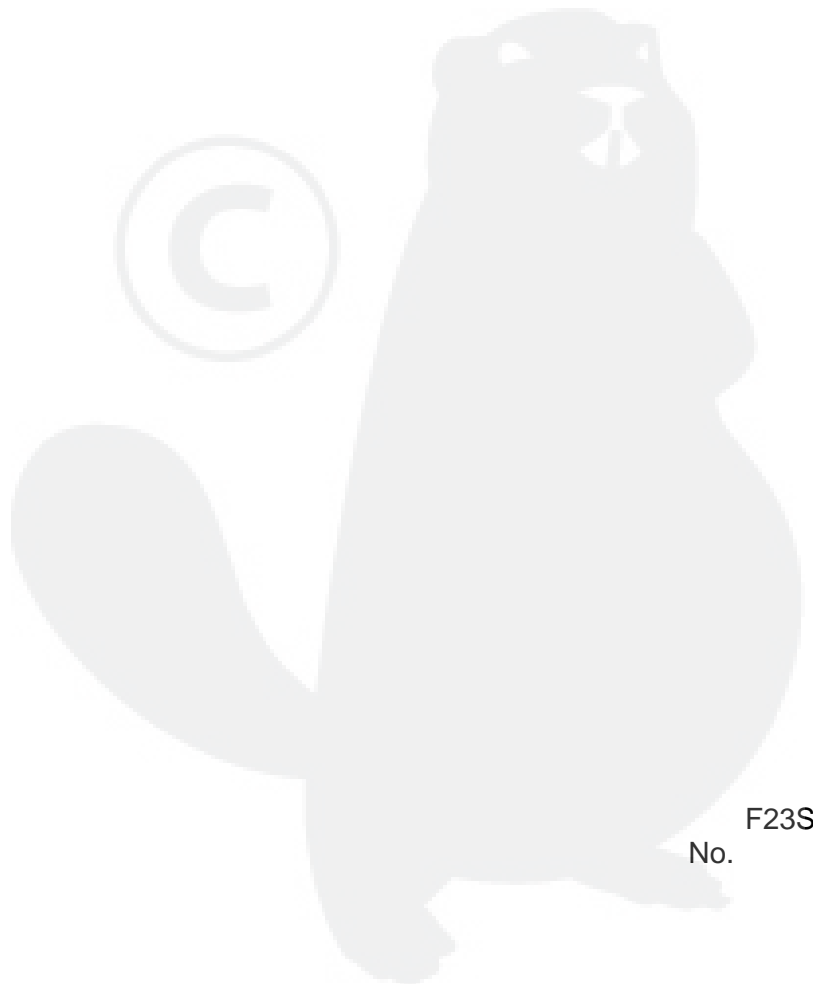
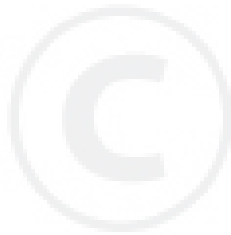
Patrs Number	Key No.	Patrs Number	Key No.	Patrs Number	Key No.
900810-36202	1 - 32				
X505-000860	3 - 44				



YAMABIKO CORPORATION

7-2 SUEHIROCHO 1-CHOME, OHME, TOKYO 198-8760, JAPAN
PHONE: 81-428-32-6118. FAX: 81-428-32-6145.

ECHO®



F23S
No.