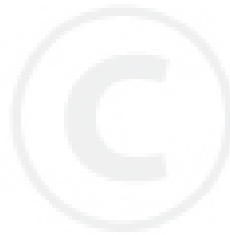




PARTS CATALOG

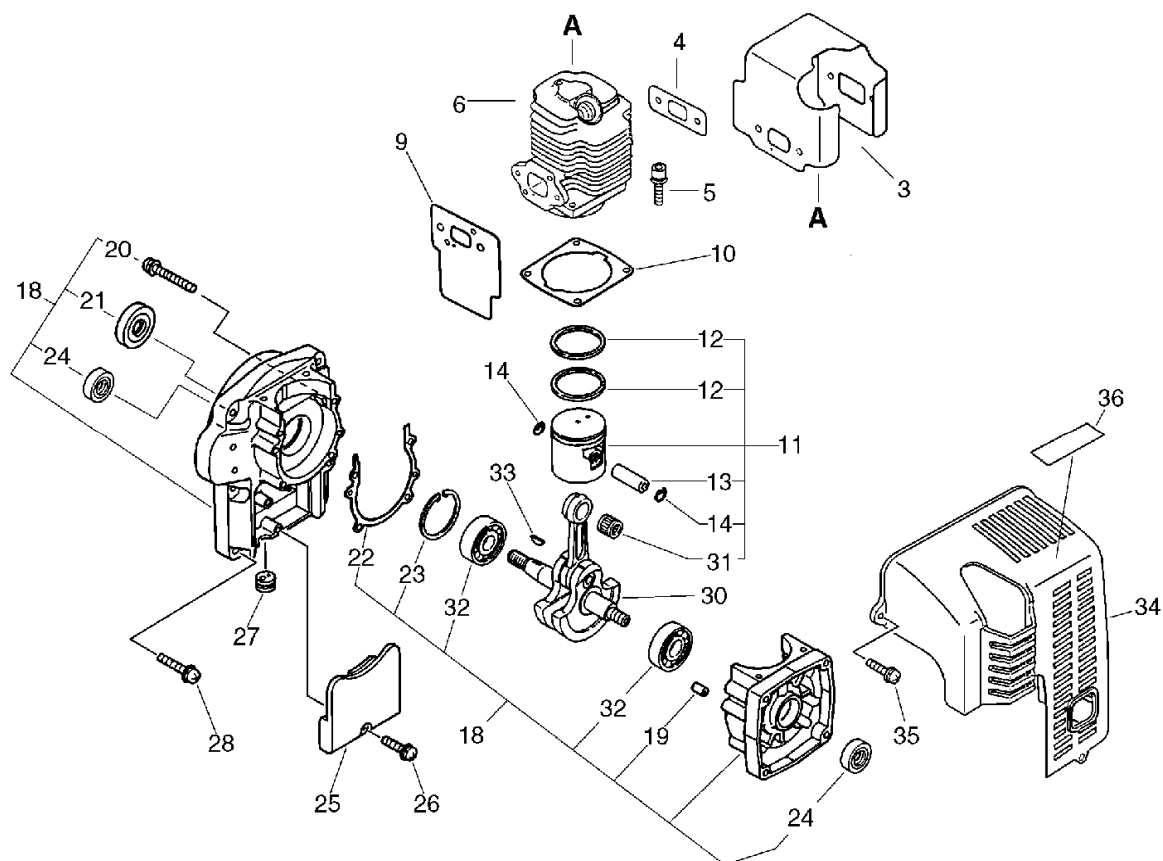
DUSTER / MIST BLOWER

DM-4100



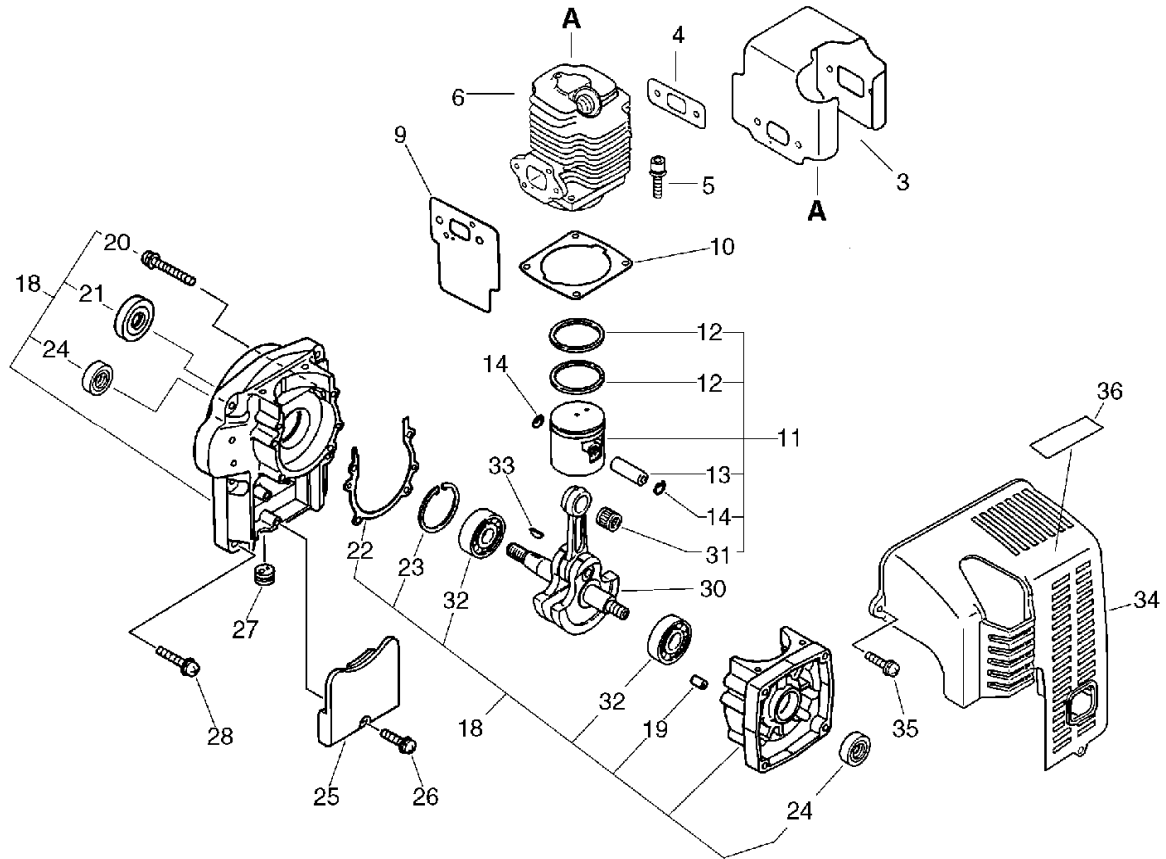
DM-4100

1. Cylinder, Crankcase, Piston



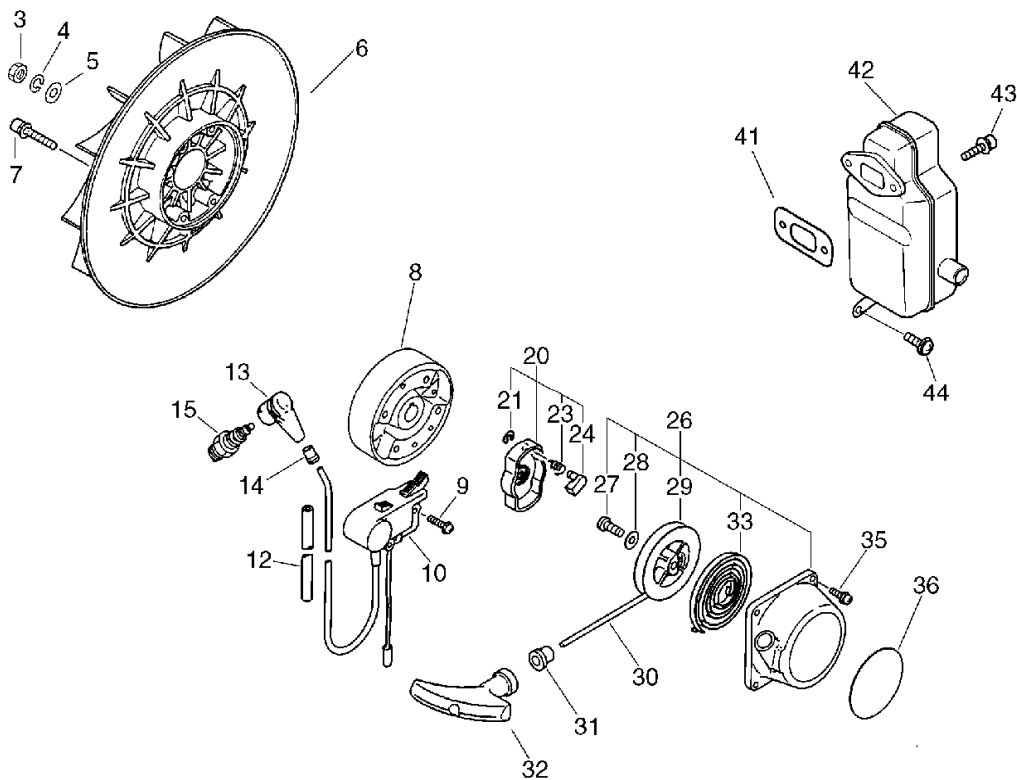
KEY	LV	PART NUMBER	Q'TY	DESCRIPTION	REMARKS	NOTE1	NOTE2
3		101514-06610	1	COVER, CYLINDER			
4		145510-06210	1	GASKET, MUFFLER		Sus. by 145510-06211	
4		145510-06211	1	GASKET, MUFFLER			
5		900162-05020	4	BOLT, H.S. 5*20	5*20 W,SW		
6		101011-05111	1	CYLINDER			
9		130010-06410	1	GASKET, INTAKE			
10		101010-10721	1	GASKET, CYL. BASE		Sus. by 101010-10722	
10		101010-10722	1	GASKET, CYL. BASE			
11		100000-10720	1	PISTON KIT			
12	+	100011-01110	2	RING, PISTON			
13	+	100013-03460	1	PIN, PISTON			
14	+	100015-00120	2	CIRCLIP, PISTON PIN			
31	+	100012-12330	1	BEARING, NEEDLE		Sus. by 100012-12331	
31	+	100012-12331	1	BEARING, NEEDLE			
18		100204-08260	1	CRANKCASE KIT		Sus. by 100204-08261	
18		100204-08261	1	CRANKCASE KIT			
19	+	100215-03930	2	PIN, DOWEL			
20	+	900242-05040	4	SCREW 5*40	5*40		
21	+	100213-02830	1	OILSEAL	ISMX15,35,6	Sr/Nr 002725 and before	
22	+	100242-10720	1	GASKET, CRANKCASE		Sus. by 100242-10721	

1. Cylinder, Crankcase, Piston



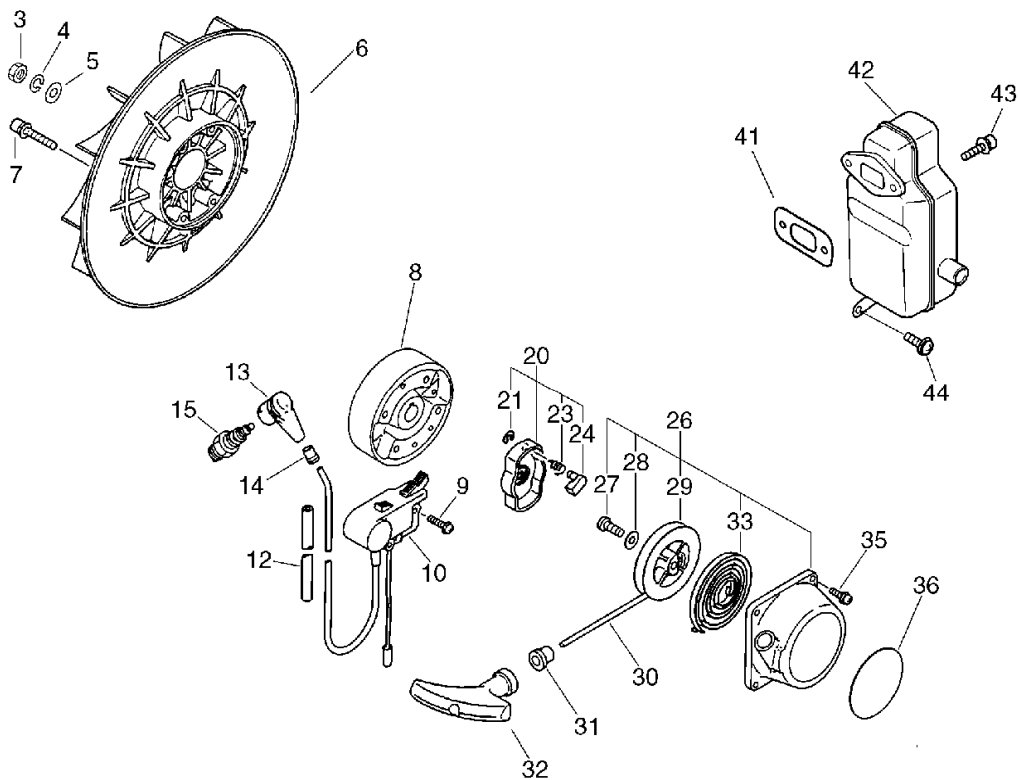
KEY	LV	PART NUMBER	Q'TY	DESCRIPTION	REMARKS	NOTE1	NOTE2
22	+	100242-10721	1	GASKET, CRANKCASE			
23	+	900702-00035	1	CIRCLIP 35	CR-35	Sr/Nr 002725 and before	
24	+	100213-00310	1	OILSEAL	ISCD 15 25 7	Sr/Nr 002725 and before	
24	+	100213-00310	2	OILSEAL	ISCD 15 25 7	Sr/Nr 002726 and after	
32	+	900810-36202	2	BEARING, BALL 6202	6202/C3		
25		159129-08260	1	COVER, DUST			
26		900242-05018	1	SCREW 5*18	5*18		
27		150112-00310	1	BUSHING			
28		900292-05025	6	SCREW 5*25	5*25 SUS		
30		100100-06610	1	CRANKSHAFT ASSY			
33		900323-03014	1	KEY WOODRUFF	3*14		
34		104016-06611	1	COVER, ENGINE			
35		900292-05020	3	SCREW 5*20	5*20 SUS		
36		890160-06360	1	LABEL, CAUTION		Sus. by 890160-06361	
36		890160-06361	1	LABEL, CAUTION			

2. Starter, Magneto, Muffler



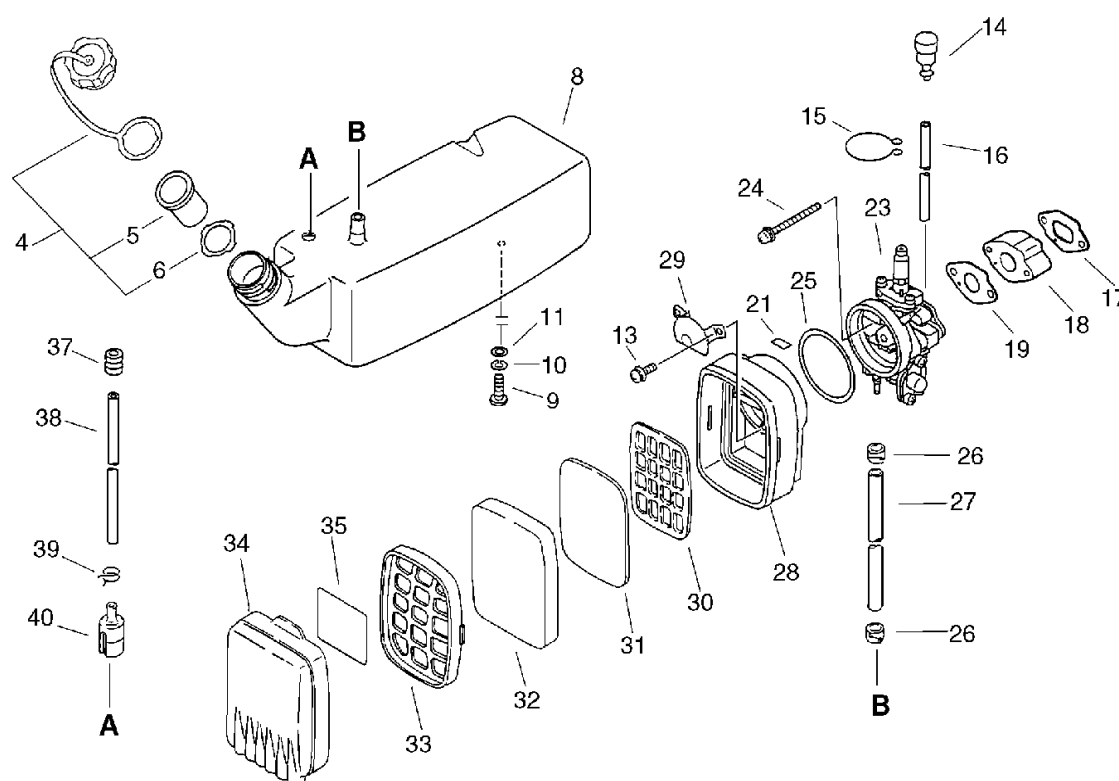
KEY	LV	PART NUMBER	Q'TY	DESCRIPTION	REMARKS	NOTE1	NOTE2
3		900501-00010	1	NUT 10*1.25	10*P1.25		
4		900605-00010	1	WASHER, SPRING 10	10		
5		900602-00010	1	WASHER 10(10.5*21*2)	10.5*21*2		
6		200010-06610	1	FAN			
7		900148-05035	4	BOLT 5*35	5*35		
8		156800-06611	1	ROTOR			
9		900242-05018	2	SCREW 5*18	5*18		
10		156601-06211	1	C.D. IGNITION MODULE			
12		156611-04260	1	TUBE	6*8*340		
13		159012-10230	1	CAP, SPARK PLUG			
14		159016-05330	1	ADAPTER, PLUG CAP			
15		159010-10130	1	PLUG, SPARK (BMR-6A)	BMR-6A		
20		177202-06210	1	PAWL ASSY, STARTER			
21	+	900700-00004	1	E-RING 4	CE-4		
23	+	177234-40630	1	SPRING, RETURN			
24	+	177218-40630	1	PAWL, STARTER	WHITE		
26		177200-06210	1	STARTER ASSY			
27	+	177236-40630	1	SCREW			
28	+	177214-40630	1	WASHER			
29	+	177215-11120	1	DRUM, STARTER			
30	+	177226-11120	1	ROPE, STARTER	3.8*1400		
31	+	177227-42030	1	GUIDE, ROPE			
32	+	177228-11120	1	GRIP, STARTER			
33	+	177220-11120	1	REWIND SPRING			
35		900292-04018	4	SCREW 4*18	4*18 SUS		
36		890118-49330	1	LABEL, ECHO			

2. Starter, Magneto, Muffler



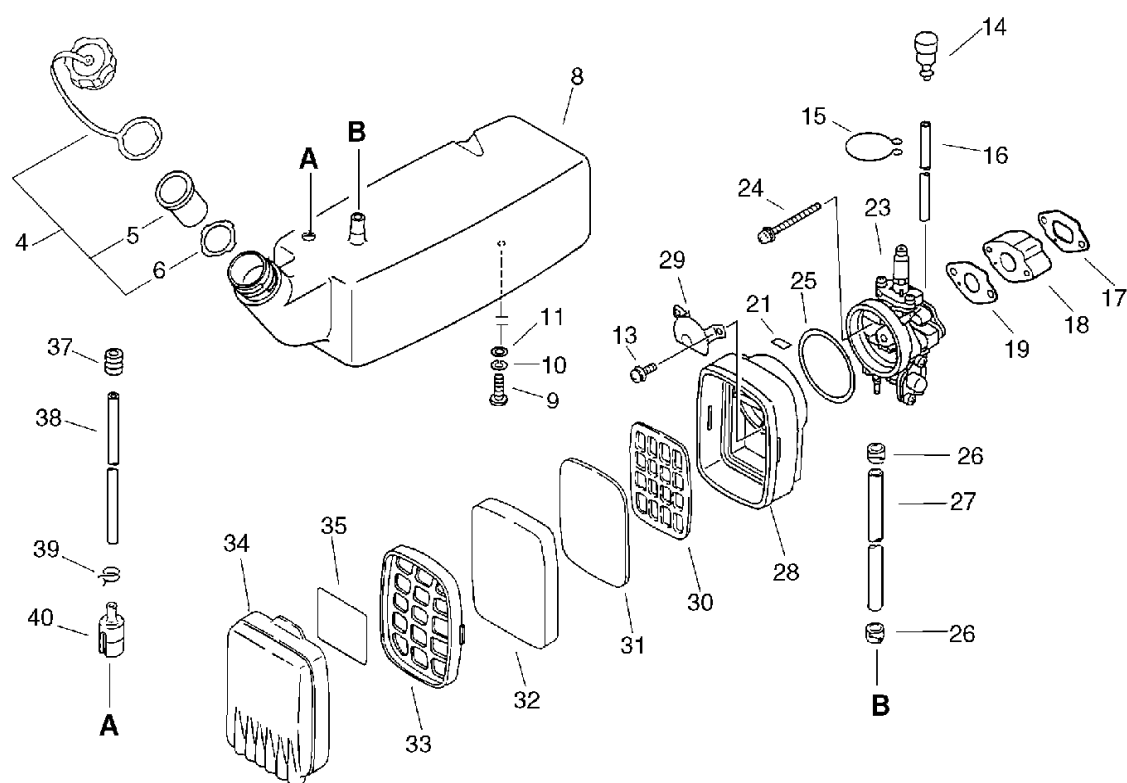
KEY	LV	PART NUMBER	Q'TY	DESCRIPTION	REMARKS	NOTE1	NOTE2
41		145510-06210	1	GASKET, MUFFLER		Sus. by 145510-06211	
41		145510-06211	1	GASKET, MUFFLER			
42		145610-06610	1	MUFFLER			
43		900162-06020	2	BOLT, H.S. 6*20	6*20 W.SW		
44		900242-05014	1	SCREW 5*14	5*14		

3. Air Cleaner, Fuel Tank



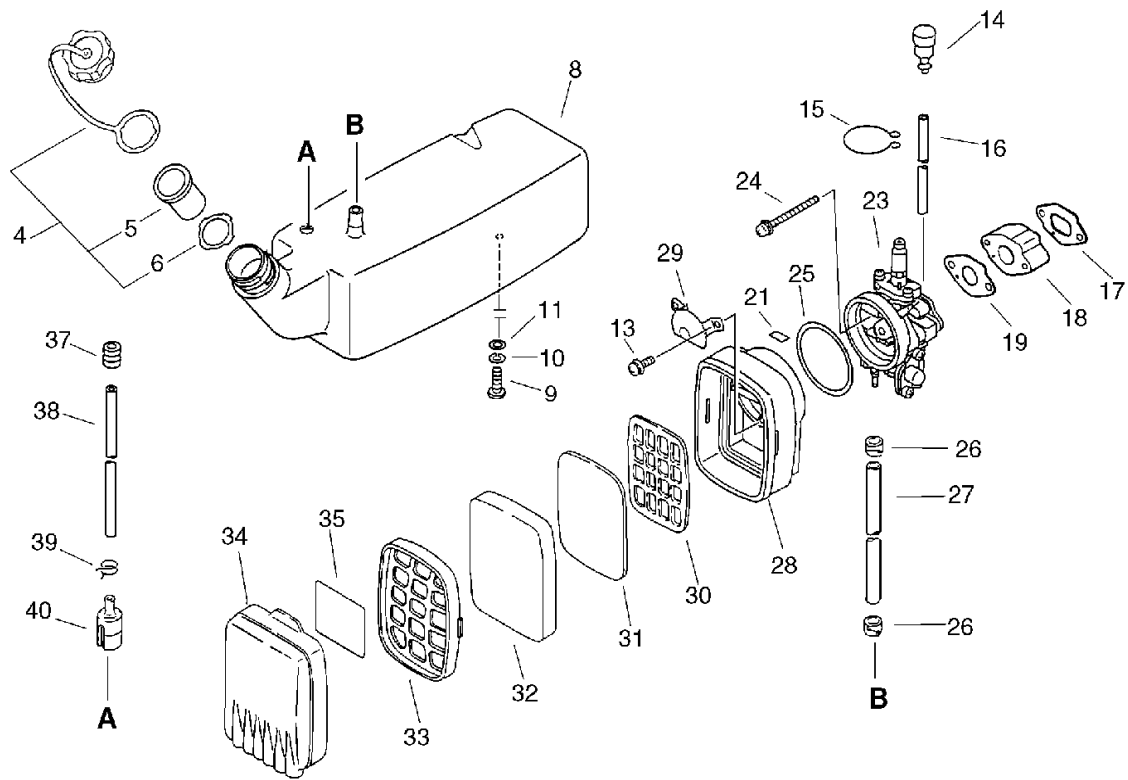
KEY	LV	PART NUMBER	Q'TY	DESCRIPTION	REMARKS	NOTE1	NOTE2
4		131600-07130	1	CAP ASSY, FUEL TANK		Sus. by 131600-21060	
4		131600-21060	1	CAP ASSY, FUEL TANK			
5	+	131003-05330	1	CUP SET, VENT			
6	+	131016-21230	1	GASKET, FUEL CAP		Sr/Nr 002725 and before	
6	+	131016-21060	1	GASKET, FUEL CAP		Sr/Nr 002726 and after	
8		131005-06610	1	TANK, FUEL		Sus. by 131005-06613	
8		131005-06611	1	TANK, FUEL		Sus. by 131005-06613	
8		131005-06612	1	TANK, FUEL		Sus. by 131005-06613	
8		131005-06613	1	TANK, FUEL			
9		900220-06014	2	SCREW +-SR 6*14	6*14		
10		900605-00006	2	WASHER, SPRING 6	6		
11		145642-00760	2	WASHER 6.5*18*1.6	6.5*18*1.6		
13		900242-04012	2	SCREW 4*12	4*12		
14		132001-05510	1	VALVE, CHECK			
15		132013-05060	1	CLIP, PIPE			
16		132010-06530	1	PIPE 3*6* 85	3*6* 85		
17		130016-06410	1	GASKET, INTAKE			
18		130017-06410	1	INSULATOR			
19		130016-06110	1	GASKET, INTAKE			
21		890121-21430	1	LABEL, CHOKE			

3. Air Cleaner, Fuel Tank



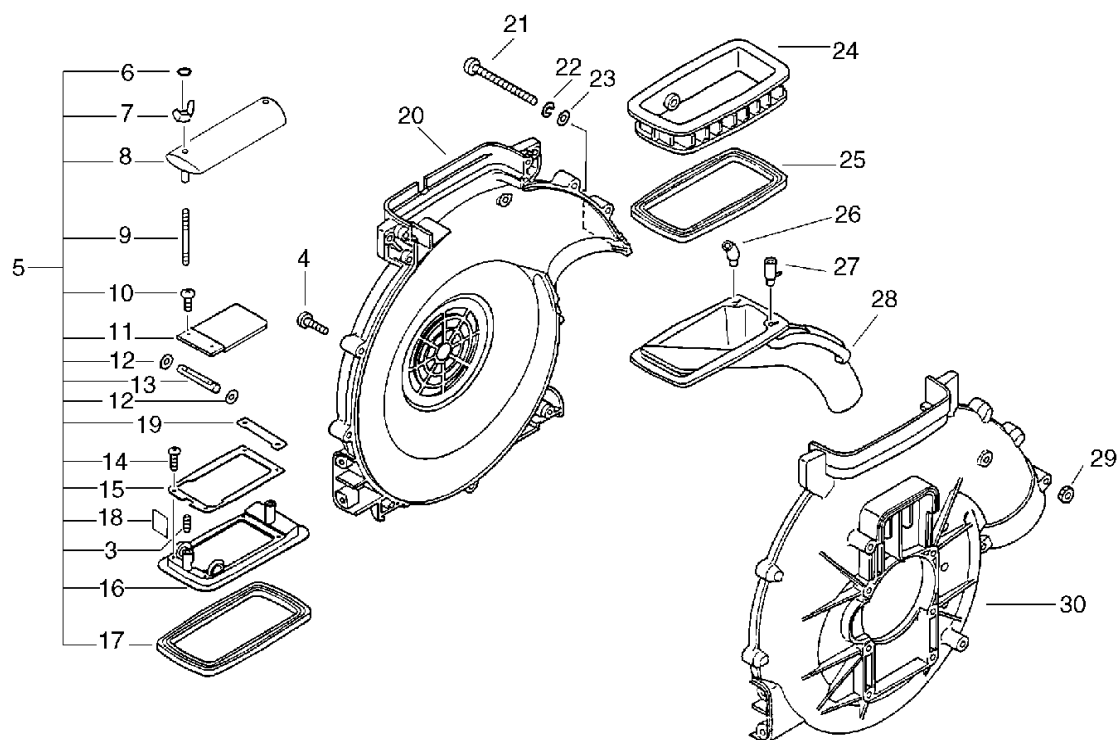
KEY	LV	PART NUMBER	Q'TY	DESCRIPTION	REMARKS	NOTE1	NOTE2
23		124200-06610	1	CARBURETOR ASSY	K13PR-6G		
24		900242-05055	2	SCREW 5*55 (W/W.SW)	5*55		
25		130320-05810	1	SEAL, CLEANER			
26		357013-00210	2	CLIP 11	11≧J	Sus. by 132013-14010	
26		132013-14010	2	BAND	10.5MM		
27		132012-06610	1	PIPE 7*11*75	7*11*75	Sus. by 132010-05910	
27		132010-05910	1	PIPE	5/16*7/16*80YL		
28		130307-04211	1	CASE, AIR CLEANER			
29		129011-05110	1	PLATE			
30		130319-03710	1	GRID, AIR CLEANER			
31		130317-03710	1	FILTER, AIR			
32		130310-02910	1	FILTER, AIR			
33		130311-03710	1	GRID, AIR CLEANER			
34		130313-03710	1	COVER, AIR CLEANER			
35		890187-03710	1	LABEL, CLEANER			
38		132007-14331	1	PIPE, FUEL W/GROMMET		Sr/Nr 001610 and before	
37	+	132115-12330	1	GROMMET		Sr/Nr 001610 and before	
37		132115-12330	1	GROMMET		Sr/Nr 001611 and after	
38		132010-35430	1	PIPE 3*6*230	3*6*230	Sr/Nr 001611 and after	

3. Air Cleaner, Fuel Tank



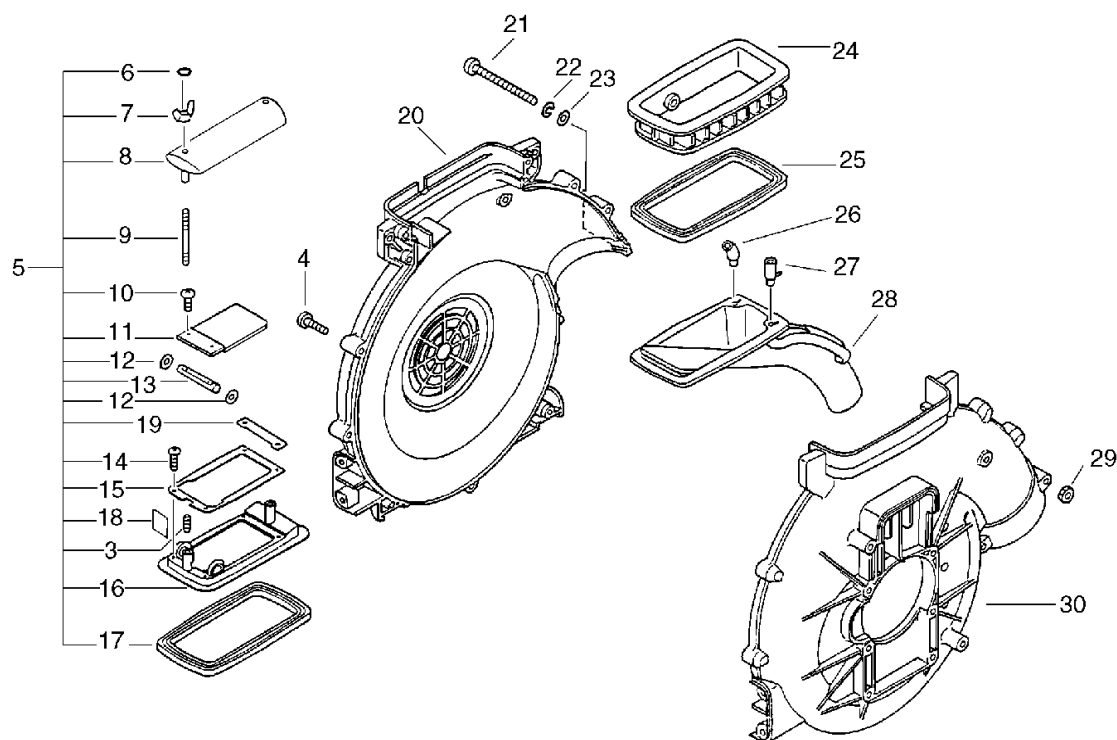
KEY	LV	PART NUMBER	Q'TY	DESCRIPTION	REMARKS	NOTE1	NOTE2
39		132013-26630	1	CLIP	6.5MM		
40		131205-30830	1	STRAINER, FUEL		Sus. by 131205-19830	
40		131205-19830	1	STRAINER, FUEL			

4. Fan Case, Lower Tank



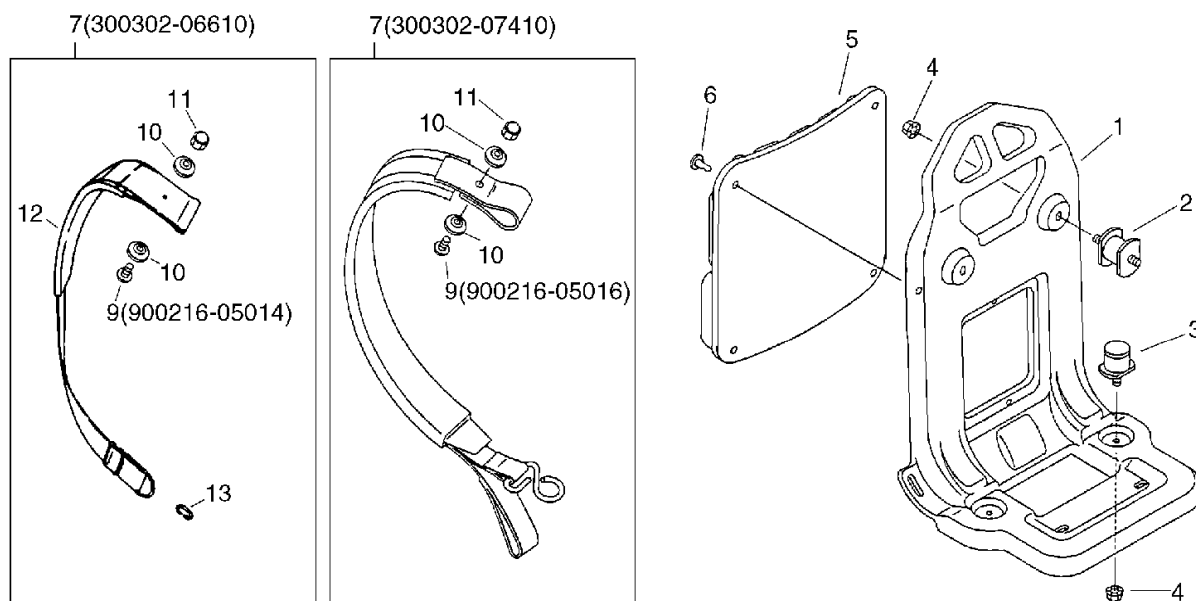
KEY	LV	PART NUMBER	Q'TY	DESCRIPTION	REMARKS	NOTE1	NOTE2
4		900286-05025	10	SCREW 5*25 SUS	5*25 SUS		
5		275100-06211	1	SHUTTER ASSY		Sus. by 275100-06212	
5		275100-06212	1	SHUTTER ASSY			
3	+	900174-05018	1	SCREW, SET 5*18	8*14 SUS	Sr/Nr 001950 and before	
6	+	900720-00004	1	O-RING (P-4)	P-4		
7	+	900539-00005	1	NUT, WING 5	5		
8	+	250110-06211	1	PLATE,STABILIZER		Sr/Nr 001610 and before	
8	+	250110-06212	1	STABILIZER		Sr/Nr 001611 and after	
9	+	270015-06210	1	STUD	5*60	Sr/Nr 001610 and before	
9	+	270015-06211	1	BOLT, STUD	5*50	Sr/Nr 001611 and after	
10	+	900226-04010	2	SCREW, 4*10	4*10 SUS		
11	+	270145-06210	1	SHUTTER			
12	+	275123-05510	2	SPACER 10*19.5*0.3	10*19.5*0.3		
13	+	270153-06210	1	SHAFT, SHUTTER			
14	+	900295-04014	4	SCREW 4*14	4*14 SUS		
15	+	270110-06210	1	SHUTTER			
16	+	270112-06210	1	SHUTTER, METERING		Sus. by 270112-06211	
16	+	270112-06211	1	SHUTTER, METERING			
17	+	270119-06210	1	GASKET, SHUTTER			

4. Fan Case, Lower Tank



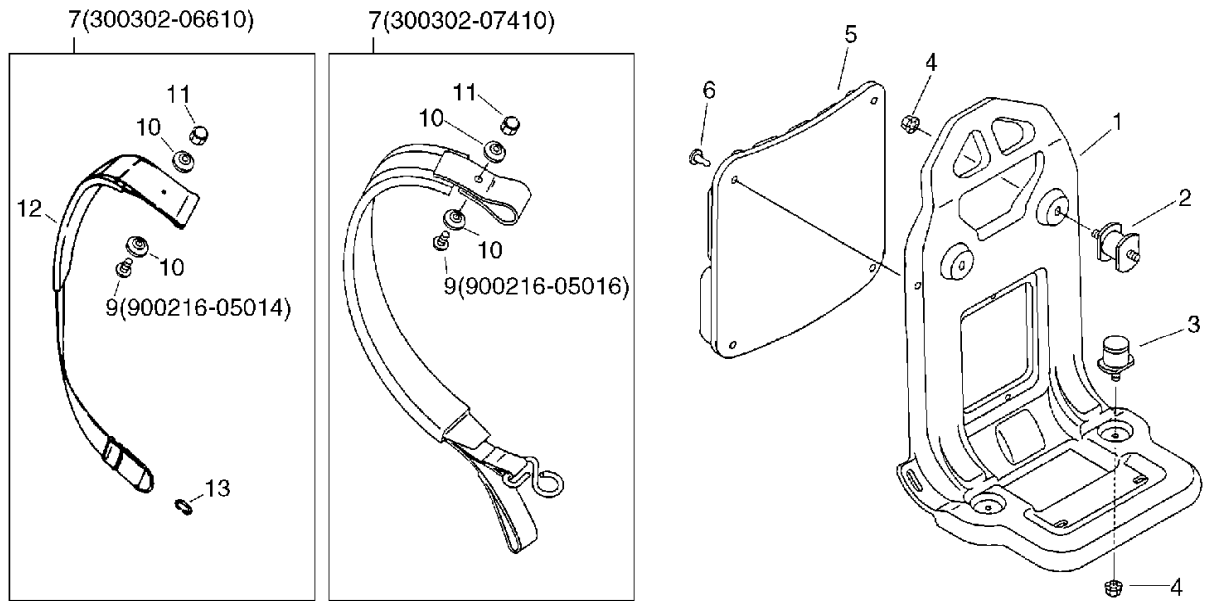
KEY	LV	PART NUMBER	Q'TY	DESCRIPTION	REMARKS	NOTE1	NOTE2
18	+	210035-06310	1	PACKING, DUST			
19	+	270122-06211	1	PLATE, EYE			
20		200105-06710	1	CASE, FAN			
21		210425-04110	2	BOLT			
22		900609-00005	2	WASHER, SPRING 5 SUS	5 SUS		
23		900604-00005	2	WASHER 5 SUS	5 SUS		
24		270010-06210	1	TANK, LOWER		Sus. by 270010-06211	
24		270010-06211	1	TANK, LOWER			
25		270018-06210	1	PACKING			
26		370321-06210	1	PLATE			
27		370316-06210	1	GUIDE, AIR			
28		370301-06610	1	PIPE, DUST OUTLET			
29		900504-00005	2	NUT 5B	5B		
30		200107-06710	1	CASE, FAN			

5. Harness

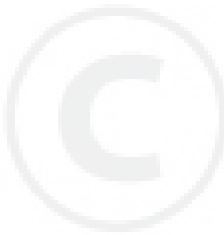


KEY	LV	PART NUMBER	Q'TY	DESCRIPTION	REMARKS	NOTE1	NOTE2
1		300010-06610	1	FRAME, KNAPSACK		Sr/Nr 002625 and before	
1		300010-07410	1	FRAME, BACKPACK		Sr/Nr 002626 and after	
2		200910-06610	2	CUSHION			
3		200916-06610	2	CUSHION			
4		250916-06210	4	NUT			
5		300111-06610	1	CUSHION, BACKPACK		Sr/Nr 002625 and before	
5		300111-14010	1	CUSHION, KNAPSACK		Sr/Nr 002626 and after	
6		300333-06410	4	CLIP		Sr/Nr 002625 and before	
6		300333-06160	4	CLIP		Sr/Nr 002626 and after	
7		300302-06610	2	HARNESS W/PAD		Sus. by 300302-07410	
7		300302-07410	2	HARNESS, W/PAD			
9	+	900216-05014	2	SCREW 5*14	5*14	Sr/Nr 002625 and before	
9	+	900216-05016	2	SCREW, 5*16	5*16	Sr/Nr 002626 and after	
10	+	300328-03210	4	WASHER, HARNESS			
11	+	900560-00005	2	NUT, LOCK 5	5		
12	+	300322-06610	2	PAD, HARNESS		Sr/Nr 002625 and before	

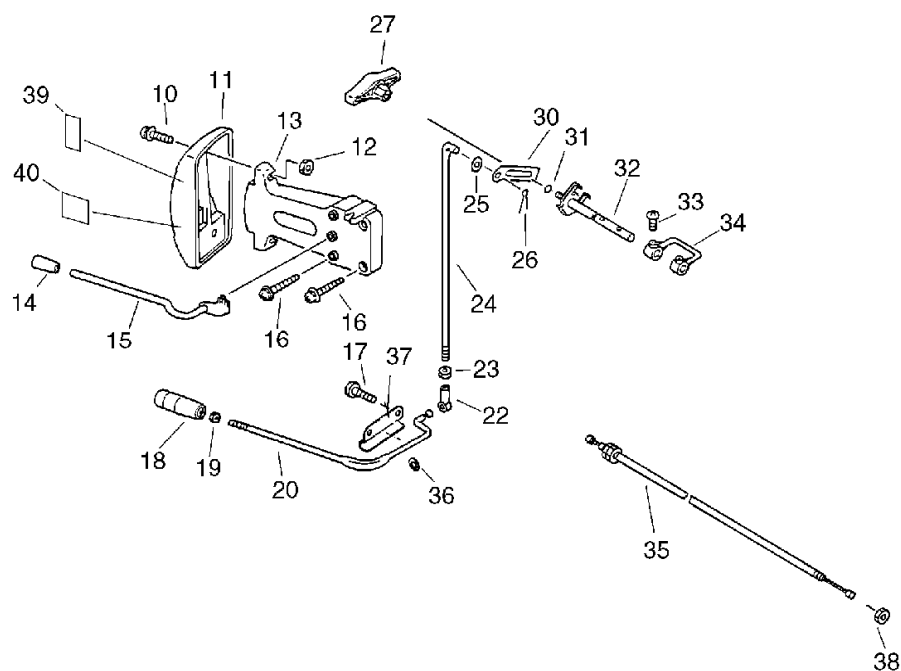
5. Harness



KEY	LV	PART NUMBER	Q'TY	DESCRIPTION	REMARKS	NOTE1	NOTE2
13		300318-06210	2	HOOK		Sr/Nr 002625 and before	

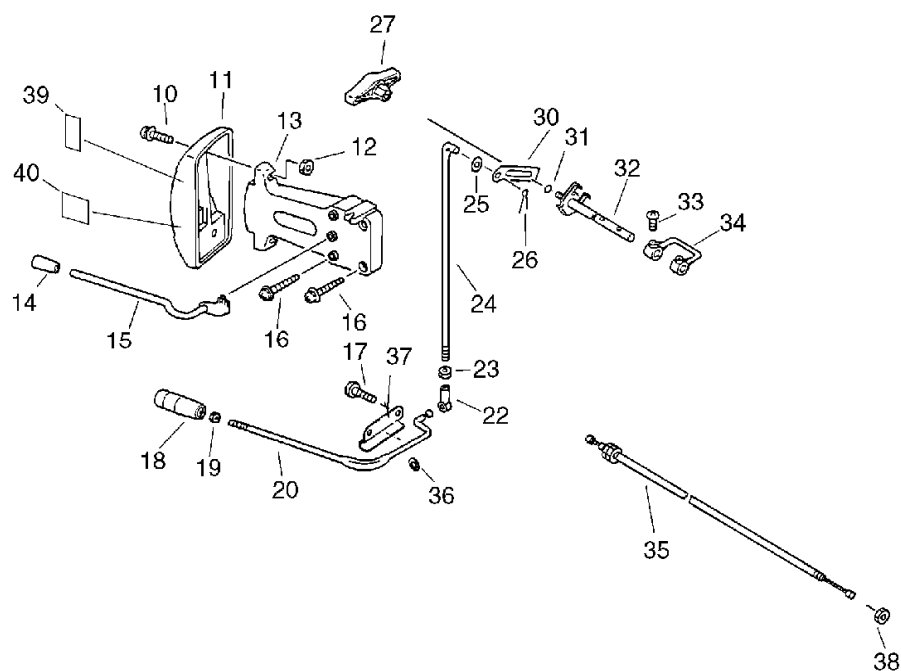


6. Control Lever



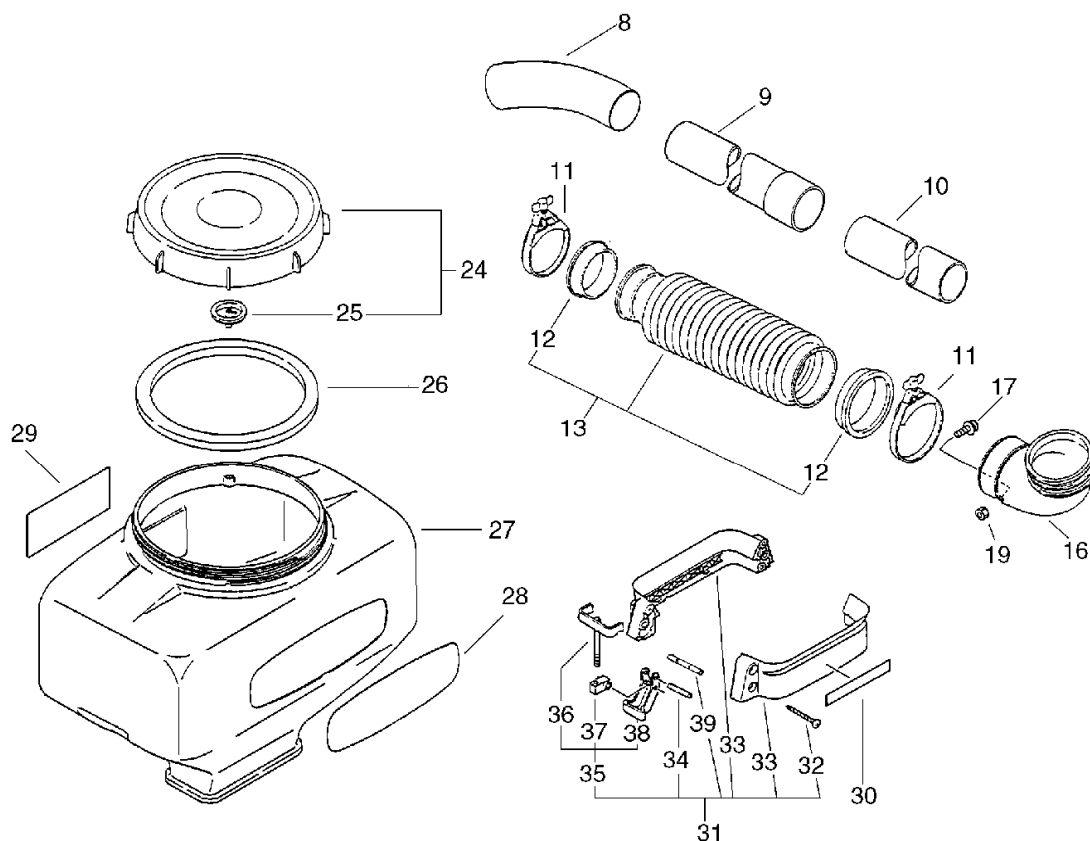
KEY	LV	PART NUMBER	Q'TY	DESCRIPTION	REMARKS	NOTE1	NOTE2
10		900292-05025	2	SCREW 5*25	5*25 SUS		
11		701111-06210	1	DIAL		Sus. by 701111-06212	
11		701111-06211	1	DIAL		Sus. by 701111-06212	
11		701111-06212	1	DIAL			
12		900504-00005	2	NUT 5B	5B		
13		701112-06410	1	BRACKET, DIAL			
14		701021-02910	1	KNOB, LEVER			
15		178005-06410	1	LEVER, THROTTLE		Sus. by 178005-06411	
15		178005-06411	1	LEVER, THROTTLE			
16		900286-05025	4	SCREW 5*25 SUS	5*25 SUS		
17		900292-05014	2	SCREW 5*14	5*14 SUS		
18		701007-06610	1	KNOB, LEVER			
19		900502-00006	1	NUT 6 (3N)	3N6		
20		701010-06610	1	LEVER, CONTROL			
22		701020-05510	1	CONNECTOR			
23		900500-00005	1	NUT 5	5		
24		701014-06610	1	ROD, CONTROL LEVER		Sus. by 701014-06710	
24		701014-06710	1	ROD, CONTROL LEVER			
25		900604-00006	2	WASHER 6(SUS)	6 SUS	Sr/Nr 001410 and before	
26		900304-14010	1	SPLIT PIN 1.4*10	1.4*10	Sr/Nr 001410 and before	

6. Control Lever



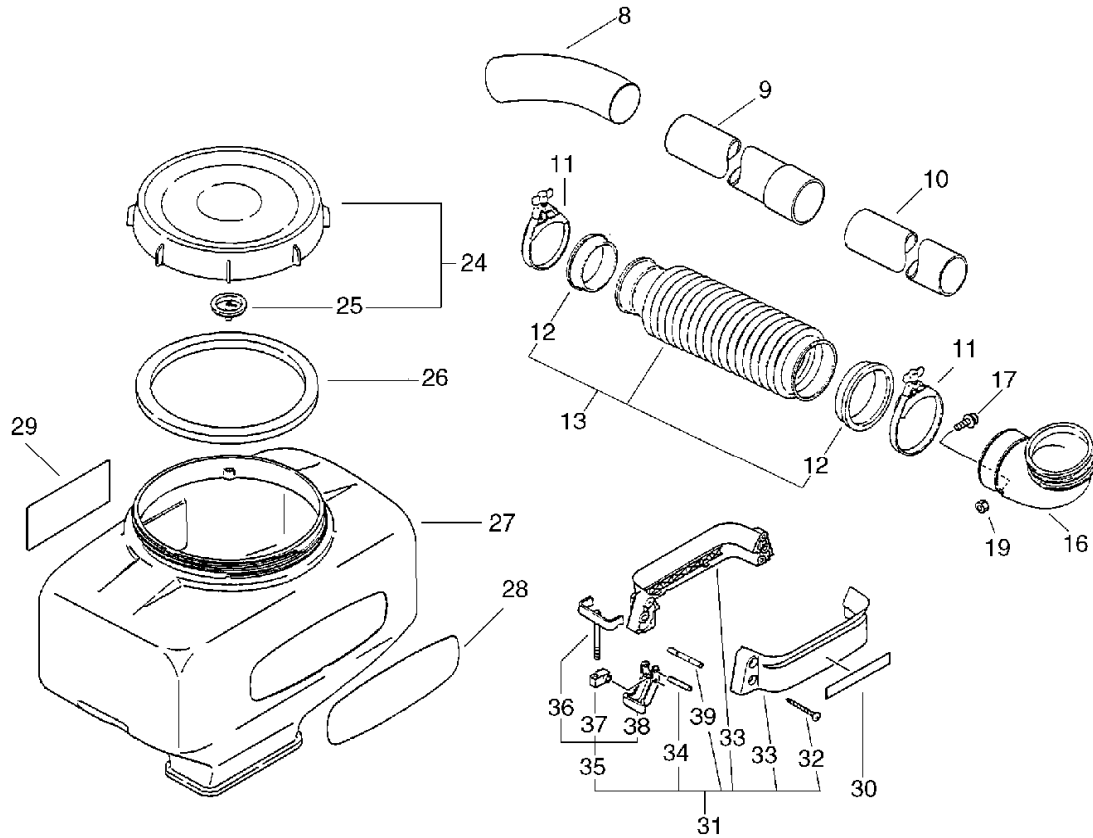
KEY	LV	PART NUMBER	Q'TY	DESCRIPTION	REMARKS	NOTE1	NOTE2
26		605612-06510	1	PIN, SNAP		Sr/Nr 001411 and after	
27		270207-04310	1	NUT (BS)			
30		270212-06410	1	ARM, SHUTTER			
31		900720-00007	1	O-RING 7	P-7		
32		270205-06410	1	SHAFT, SHUTTER		Sus. by 270205-06411	
32		270205-06411	1	SHAFT, SHUTTER			
33		900292-04014	2	SCREW 4*14	4*14 SUS		
34		270216-06210	1	ARM			
35		178001-05810	1	WIRE, THROTTLE			
36		900600-00008	1	WASHER 8	8		
37		701028-06210	1	HOLDER, STOPPER			
38		900503-00006	1	NUT (3N 6*0.75)	3N 6*0.75		
39		890348-05060	1	LABEL, SPEED			
40		890157-39130	1	LABEL, SWITCH			

7. Chemical Tank



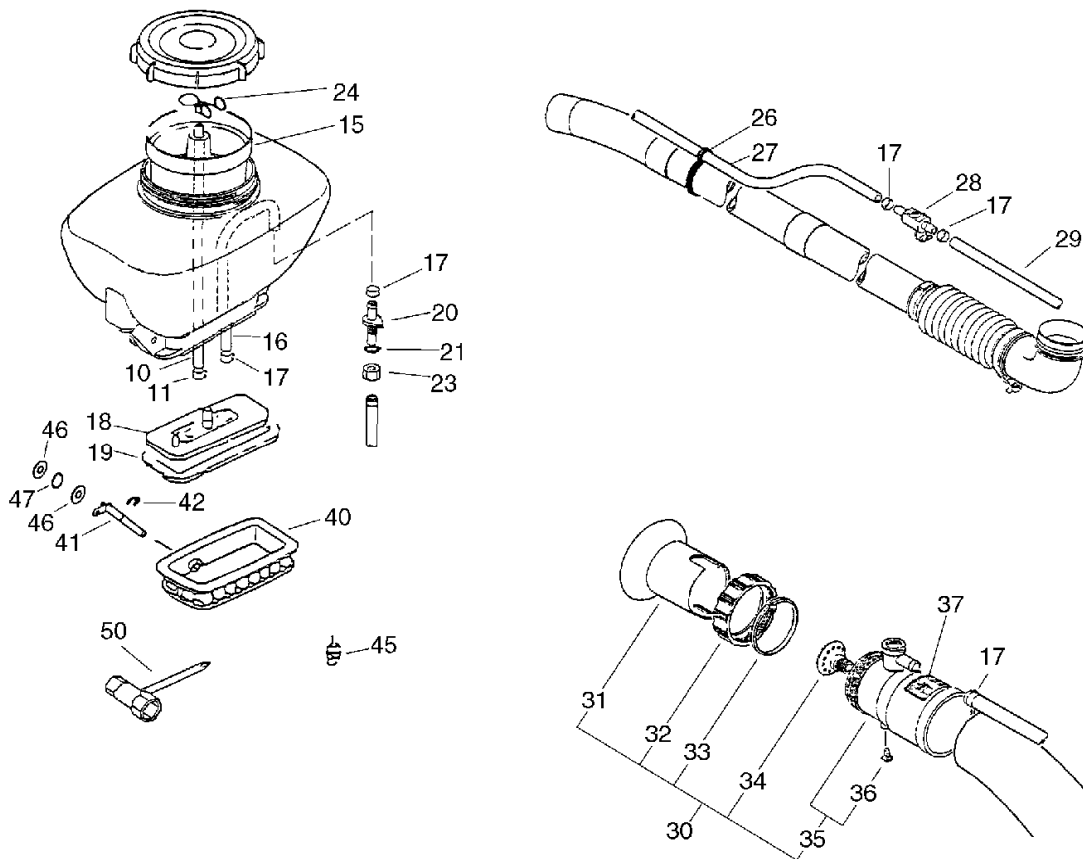
KEY	LV	PART NUMBER	Q'TY	DESCRIPTION	REMARKS	NOTE1	NOTE2
8		210023-00210	1	PIPE, CURVED (GY)			
9		210015-01110	1	PIPE, STRAIGHT (GY)			
10		210014-01610	1	PIPE, STRAIGHT			
11		210407-01110	2	CLAMP, FLEXIBLE PIPE			
13		210013-01611	1	PIPE, FLEXIBLE		Sus. by 210012-01710	
13		210012-01710	1	PIPE, FLX. W/GASKET			
12	+	210032-04110	2	PACKING, FLX. PIPE			
16		210000-03810	1	ELBOW,BLOWING KIT(BS			
17		900242-05014	1	SCREW 5*14	5*14		
19		900500-00005	1	NUT 5	5		
24		250001-05610	1	CAP, CHEMICAL TANK			
25	+	250013-00310	1	CAP, INSIDE			
26		250011-02011	1	PACKING			
27		250010-06310	1	TANK, CHEMICAL (13L)		Sus. by 250010-06312	
27		250010-06311	1	TANK, CHEMICAL		Sus. by 250010-06312	
27		250010-06312	1	TANK, CHEMICAL	13L		
28		890138-01110	1	LABEL, ECHO			
29		890160-09460	1	LABEL, CAUTION		Sus. by 890160-09461	
29		890160-09461	1	LABEL, CAUTION			
30		890112-06610	1	LABEL, MODEL			
31		270000-06310	1	HOLDER ASSY, C.TANK		Sus. by 270000-06311	

7. Chemical Tank



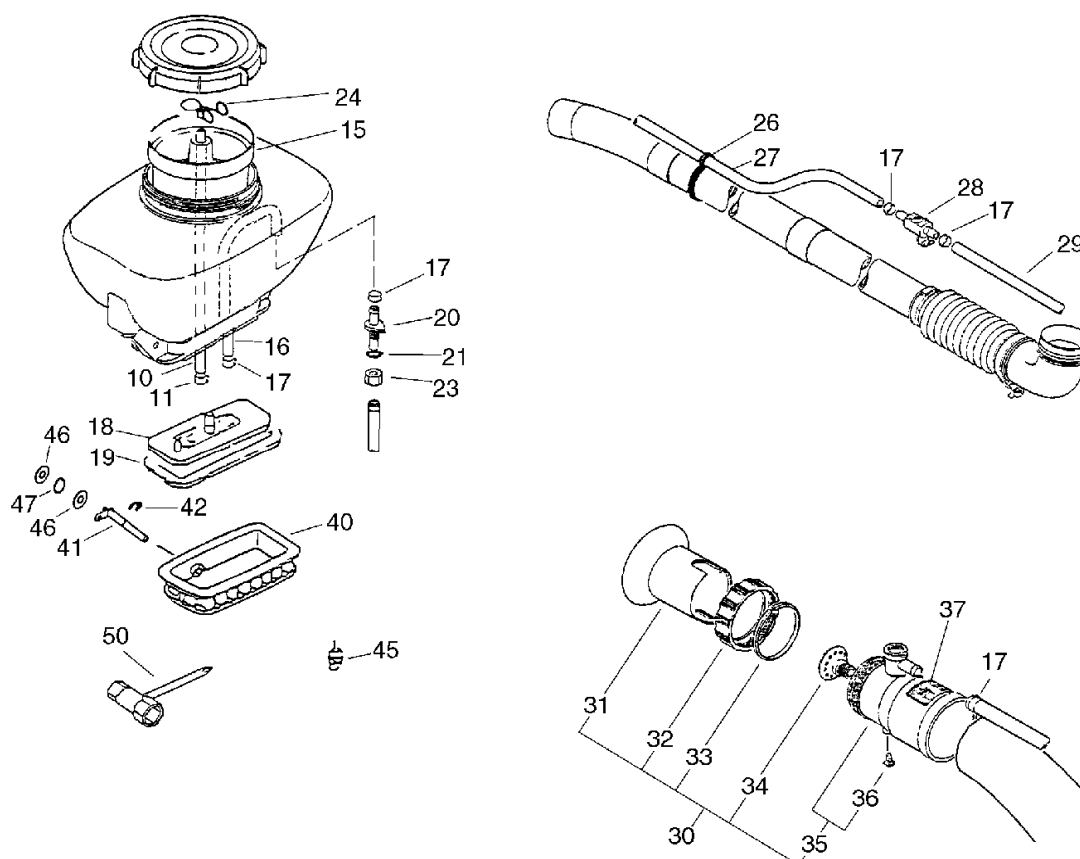
KEY	LV	PART NUMBER	Q'TY	DESCRIPTION	REMARKS	NOTE1	NOTE2
31		270000-06311	1	HOLDER ASSY, C.TANK			
32	+	900286-05035	4	SCREW 5*35	5*35 SUS	Sus. by 91148-05035	
32	+	91148-05035	4	BOLT HS FL TAPP	M5*35		
33	+	250910-06310	2	HOLDER, C. TANK			
35	+	250902-06310	2	BRACKET ASSY, C.TANK			
34	++	900333-70380	2	PIN, STRAIGHT			
36	++	250915-06310	2	BOLT, TANK HOLDER			
37	++	250930-06210	2	CONNECTOR, BRACKET			
38	++	250932-06210	2	BRACKET, TANK			
39	+	250914-06210	2	PIN, TANK HOLDER			

8. Mist Blower, Tool



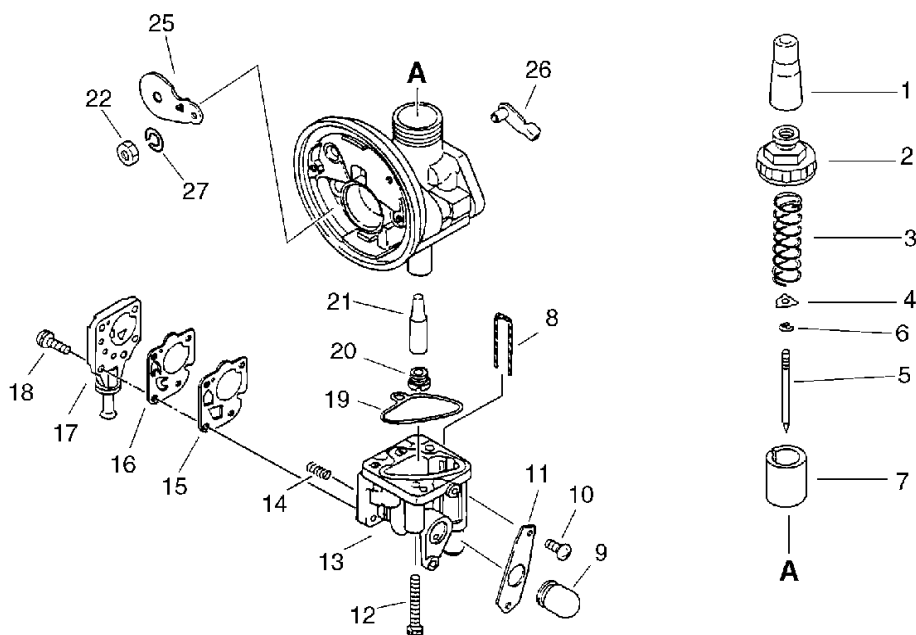
KEY	LV	PART NUMBER	Q'TY	DESCRIPTION	REMARKS	NOTE1	NOTE2
11		357013-00210	1	CLIP 11	11ミリ	Sus. by 132013-14010	
11		132013-14010	1	BAND	10.5MM		
15		254210-03210	1	FILTER			
16		363014-03210	1	PIPE (INNER)	7*11*500BL		
17		357023-01110	5	CLIP 13		Sus. by V495-000310	
17		V495-000310	5	BAND			
18		253010-06210	1	PLATE, BASE			
19		270119-06210	1	GASKET, SHUTTER			
20		357010-01110	1	NIPPLE, OUTLET			
21		357014-01110	1	O-RING	3*13		
23		357015-01110	1	NUT, HOLLOW			
24		363023-01110	1	CLIP			
26		357911-00110	1	CLIP, PIPE			
27		357012-01110	1	PIPE (L-1050)	9*13*1050		
28		358100-01110	1	VALVE ASS'Y, PIPE			
29		357032-01110	1	PIPE (L-720)	9*13*720		
30		212500-01111	1	NOZZLE ASS'Y, MISTBL			
31	+	212515-01110	1	COLLAR, NOZZLE			
32	+	212514-01110	1	NUT, MISTING NOZZLE			
33	+	212513-01110	1	RING, MISTING NOZZLE			
34	+	222000-01110	1	NOZZLE			
35	+	212501-01111	1	HEAD, NOZZLE BL	BL		
36	++	900246-05012	1	SCREW 5*12	5*12		
37	+	890031-01110	1	LABEL, MIST			

8. Mist Blower, Tool



KEY	LV	PART NUMBER	Q'TY	DESCRIPTION	REMARKS	NOTE1	NOTE2
40		270010-06210	1	TANK, LOWER		Sus. by 270010-06211	
40		270010-06211	1	TANK, LOWER			
41		701033-06210	1	PIN, STRAIGHT 10		Sus. by 701033-06211	
41		701033-06211	1	PIN, STRAIGHT 10			
42	+	900703-00008	1	E-RING 8 SUS	CE-8 SUS	Sr/Nr 002726 and after	
45		250016-01110	1	PLUG			
46		900600-00006	2	WASHER 6	6	Sr/Nr 002725 and before	
47		900720-00005	1	O-RING 5	P-5	Sr/Nr 002725 and before	
50		895410-03930	1	WRENCH, W/S. DRIVER			

9. Carburetor



KEY	LV	PART NUMBER	Q'TY	DESCRIPTION	REMARKS	NOTE1	NOTE2
		124200-06610	1	CARBURETOR ASSY	K13PR-6G		
1	+	124174-11120	1	CAP			
2	+	124113-05910	1	COVER, TOP			
3	+	124114-11120	1	SPRING, THROTTLE			
4	+	124115-11120	1	SEAT, SPRING			
5	+	124162-05510	1	JET, NEEDLE			
6	+	124116-05530	1	E-RING			
7	+	124118-05910	1	VALVE, THROTTLE			
8	+	124182-05510	1	WIRE, DRAIN			
9	+	124381-05511	1	CAP			
10	+	900241-04008	2	SCREW 4*8	4*8		
11	+	124163-05510	1	PLATE			
12	+	900241-04030	2	SCREW 4*30 (W/SW)	4*30		
13	+	124124-05910	1	CHAMBER			
14	+	124367-21330	2	SPRING, COIL			
15	+	124363-21330	1	GASKET, PUMP DIAPH.			
16	+	124364-05510	1	DIAPHRAGM, FUEL PUMP			
17	+	124365-05510	1	COVER, PUMP			
18	+	900241-03010	4	SCREW 3*10 (W/SW)	3*10		
19	+	124123-05510	1	GASKET, CHAMBER			
20	+	124122-46630	1	JET, MAIN			
21	+	124162-05510	1	JET, NEEDLE			
22	+	124111-05810	1	NUT			
25	+	124143-06610	1	PLATE, CHOKE			
26	+	124142-05810	1	LEVER, CHOKE			
27	+	900605-00006	1	WASHER, SPRING 6	6		

Index

Patrs Number	Key No.	Patrs Number	Key No.	Patrs Number	Key No.
100000-10720	1 - 11	130310-02910	3 - 32	177226-11120	2 - 30
100011-01110	1 - 12	130311-03710	3 - 33	177227-42030	2 - 31
100012-12330	1 - 31	130313-03710	3 - 34	177228-11120	2 - 32
100012-12331	1 - 31	130317-03710	3 - 31	177234-40630	2 - 23
100013-03460	1 - 13	130319-03710	3 - 30	177236-40630	2 - 27
100015-00120	1 - 14	130320-05810	3 - 25	178001-05810	6 - 35
100100-06610	1 - 30	131003-05330	3 - 5	178005-06410	6 - 15
100204-08260	1 - 18	131005-06610	3 - 8	178005-06411	6 - 15
100204-08261	1 - 18	131005-06611	3 - 8	200010-06610	2 - 6
100213-00310	1 - 24	131005-06612	3 - 8	200105-06710	4 - 20
100213-00310	1 - 24	131005-06613	3 - 8	200107-06710	4 - 30
100213-02830	1 - 21	131016-21060	3 - 6	200910-06610	5 - 2
100215-03930	1 - 19	131016-21230	3 - 6	200916-06610	5 - 3
100242-10720	1 - 22	131205-19830	3 - 40	210000-03810	7 - 16
100242-10721	1 - 22	131205-30830	3 - 40	210012-01710	7 - 13
101010-10721	1 - 10	131600-07130	3 - 4	210013-01611	7 - 13
101010-10722	1 - 10	131600-21060	3 - 4	210014-01610	7 - 10
101011-05111	1 - 6	132001-05510	3 - 14	210015-01110	7 - 9
101514-06610	1 - 3	132007-14331	3 - 38	210023-00210	7 - 8
104016-06611	1 - 34	132010-05910	3 - 27	210032-04110	7 - 12
124111-05810	9 - 22	132010-06530	3 - 16	210035-06310	4 - 18
124113-05910	9 - 2	132010-35430	3 - 38	210407-01110	7 - 11
124114-11120	9 - 3	132012-06610	3 - 27	210425-04110	4 - 21
124115-11120	9 - 4	132013-05060	3 - 15	212500-01111	8 - 30
124116-05530	9 - 6	132013-14010	3 - 26	212501-01111	8 - 35
124118-05910	9 - 7	132013-14010	8 - 11	212513-01110	8 - 33
124122-46630	9 - 20	132013-26630	3 - 39	212514-01110	8 - 32
124123-05510	9 - 19	132115-12330	3 - 37	212515-01110	8 - 31
124124-05910	9 - 13	132115-12330	3 - 37	222000-01110	8 - 34
124142-05810	9 - 26	145510-06210	1 - 4	250001-05610	7 - 24
124143-06610	9 - 25	145510-06210	2 - 41	250010-06310	7 - 27
124162-05510	9 - 5	145510-06211	1 - 4	250010-06311	7 - 27
124162-05510	9 - 21	145510-06211	2 - 41	250010-06312	7 - 27
124163-05510	9 - 11	145610-06610	2 - 42	250011-02011	7 - 26
124174-11120	9 - 1	145642-00760	3 - 11	250013-00310	7 - 25
124182-05510	9 - 8	150112-00310	1 - 27	250016-01110	8 - 45
124200-06610	3 - 23	156601-06211	2 - 10	250110-06211	4 - 8
124200-06610	9 -	156611-04260	2 - 12	250110-06212	4 - 8
124363-21330	9 - 15	156800-06611	2 - 8	250902-06310	7 - 35
124364-05510	9 - 16	159010-10130	2 - 15	250910-06310	7 - 33
124365-05510	9 - 17	159012-10230	2 - 13	250914-06210	7 - 39
124367-21330	9 - 14	159016-05330	2 - 14	250915-06310	7 - 36
124381-05511	9 - 9	159129-08260	1 - 25	250916-06210	5 - 4
129011-05110	3 - 29	177200-06210	2 - 26	250930-06210	7 - 37
130010-06410	1 - 9	177202-06210	2 - 20	250932-06210	7 - 38
130016-06110	3 - 19	177214-40630	2 - 28	253010-06210	8 - 18
130016-06410	3 - 17	177215-11120	2 - 29	254210-03210	8 - 15
130017-06410	3 - 18	177218-40630	2 - 24	270000-06310	7 - 31
130307-04211	3 - 28	177220-11120	2 - 33	270000-06311	7 - 31

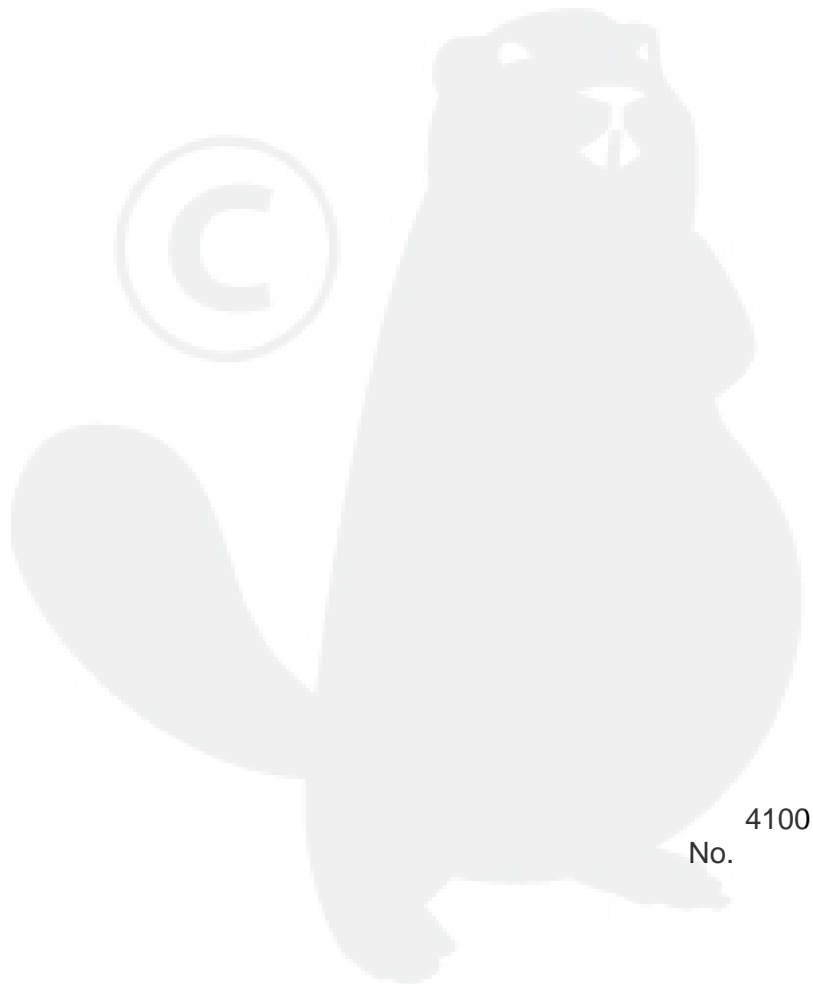
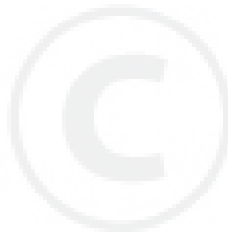
Index

Patrs Number	Key No.	Patrs Number	Key No.	Patrs Number	Key No.
270010-06210	4 - 24	605612-06510	6 - 26	900292-04014	6 - 33
270010-06210	8 - 40	701007-06610	6 - 18	900292-04018	2 - 35
270010-06211	4 - 24	701010-06610	6 - 20	900292-05014	6 - 17
270010-06211	8 - 40	701014-06610	6 - 24	900292-05020	1 - 35
270015-06210	4 - 9	701014-06710	6 - 24	900292-05025	1 - 28
270015-06211	4 - 9	701020-05510	6 - 22	900292-05025	6 - 10
270018-06210	4 - 25	701021-02910	6 - 14	900295-04014	4 - 14
270110-06210	4 - 15	701028-06210	6 - 37	900304-14010	6 - 26
270112-06210	4 - 16	701033-06210	8 - 41	900323-03014	1 - 33
270112-06211	4 - 16	701033-06211	8 - 41	900333-70380	7 - 34
270119-06210	4 - 17	701111-06210	6 - 11	900500-00005	6 - 23
270119-06210	8 - 19	701111-06211	6 - 11	900500-00005	7 - 19
270122-06211	4 - 19	701111-06212	6 - 11	900501-00010	2 - 3
270145-06210	4 - 11	701112-06410	6 - 13	900502-00006	6 - 19
270153-06210	4 - 13	890031-01110	8 - 37	900503-00006	6 - 38
270205-06410	6 - 32	890112-06610	7 - 30	900504-00005	4 - 29
270205-06411	6 - 32	890118-49330	2 - 36	900504-00005	6 - 12
270207-04310	6 - 27	890121-21430	3 - 21	900539-00005	4 - 7
270212-06410	6 - 30	890138-01110	7 - 28	900560-00005	5 - 11
270216-06210	6 - 34	890157-39130	6 - 40	900600-00006	8 - 46
275100-06211	4 - 5	890160-06360	1 - 36	900600-00008	6 - 36
275100-06212	4 - 5	890160-06361	1 - 36	900602-00010	2 - 5
275123-05510	4 - 12	890160-09460	7 - 29	900604-00005	4 - 23
300010-06610	5 - 1	890160-09461	7 - 29	900604-00006	6 - 25
300010-07410	5 - 1	890187-03710	3 - 35	900605-00006	3 - 10
300111-06610	5 - 5	890348-05060	6 - 39	900605-00006	9 - 27
300111-14010	5 - 5	895410-03930	8 - 50	900605-00010	2 - 4
300302-06610	5 - 7	900148-05035	2 - 7	900609-00005	4 - 22
300302-07410	5 - 7	900162-05020	1 - 5	900700-00004	2 - 21
300318-06210	5 - 13	900162-06020	2 - 43	900702-00035	1 - 23
300322-06610	5 - 12	900174-05018	4 - 3	900703-00008	8 - 42
300328-03210	5 - 10	900216-05014	5 - 9	900720-00004	4 - 6
300333-06160	5 - 6	900216-05016	5 - 9	900720-00005	8 - 47
300333-06410	5 - 6	900220-06014	3 - 9	900720-00007	6 - 31
357010-01110	8 - 20	900226-04010	4 - 10	900810-36202	1 - 32
357012-01110	8 - 27	900241-03010	9 - 18	91148-05035	7 - 32
357013-00210	3 - 26	900241-04008	9 - 10	V495-000310	8 - 17
357013-00210	8 - 11	900241-04030	9 - 12		
357014-01110	8 - 21	900242-04012	3 - 13		
357015-01110	8 - 23	900242-05014	2 - 44		
357023-01110	8 - 17	900242-05014	7 - 17		
357032-01110	8 - 29	900242-05018	1 - 26		
357911-00110	8 - 26	900242-05018	2 - 9		
358100-01110	8 - 28	900242-05040	1 - 20		
363014-03210	8 - 16	900242-05055	3 - 24		
363023-01110	8 - 24	900246-05012	8 - 36		
370301-06610	4 - 28	900286-05025	4 - 4		
370316-06210	4 - 27	900286-05025	6 - 16		
370321-06210	4 - 26	900286-05035	7 - 32		

YAMABIKO CORPORATION

7-2 SUEHIROCHO 1-CHOME, OHME, TOKYO 198-8760, JAPAN
PHONE: 81-428-32-6118. FAX: 81-428-32-6145.

ECHO®



4100
No.