

DTT-2100

Serial Number

E80345000001-E80345999999

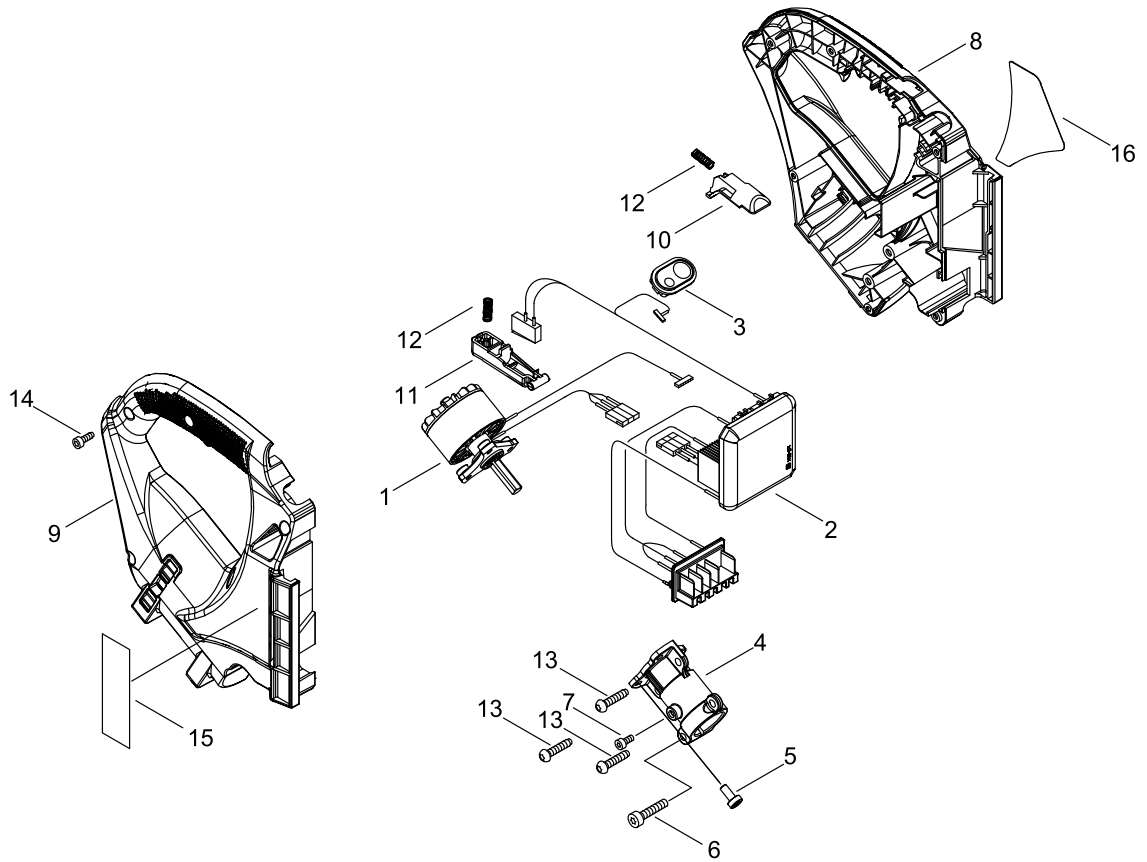
Last updated date

20/Mar/2023

TABLE OF CONTENTS

MOTOR	1
GEAR CASE	3
MAIN PIPE, HANDLE.....	7
CUTTING BLADE	9
ACCESSORIES	11

MOTOR



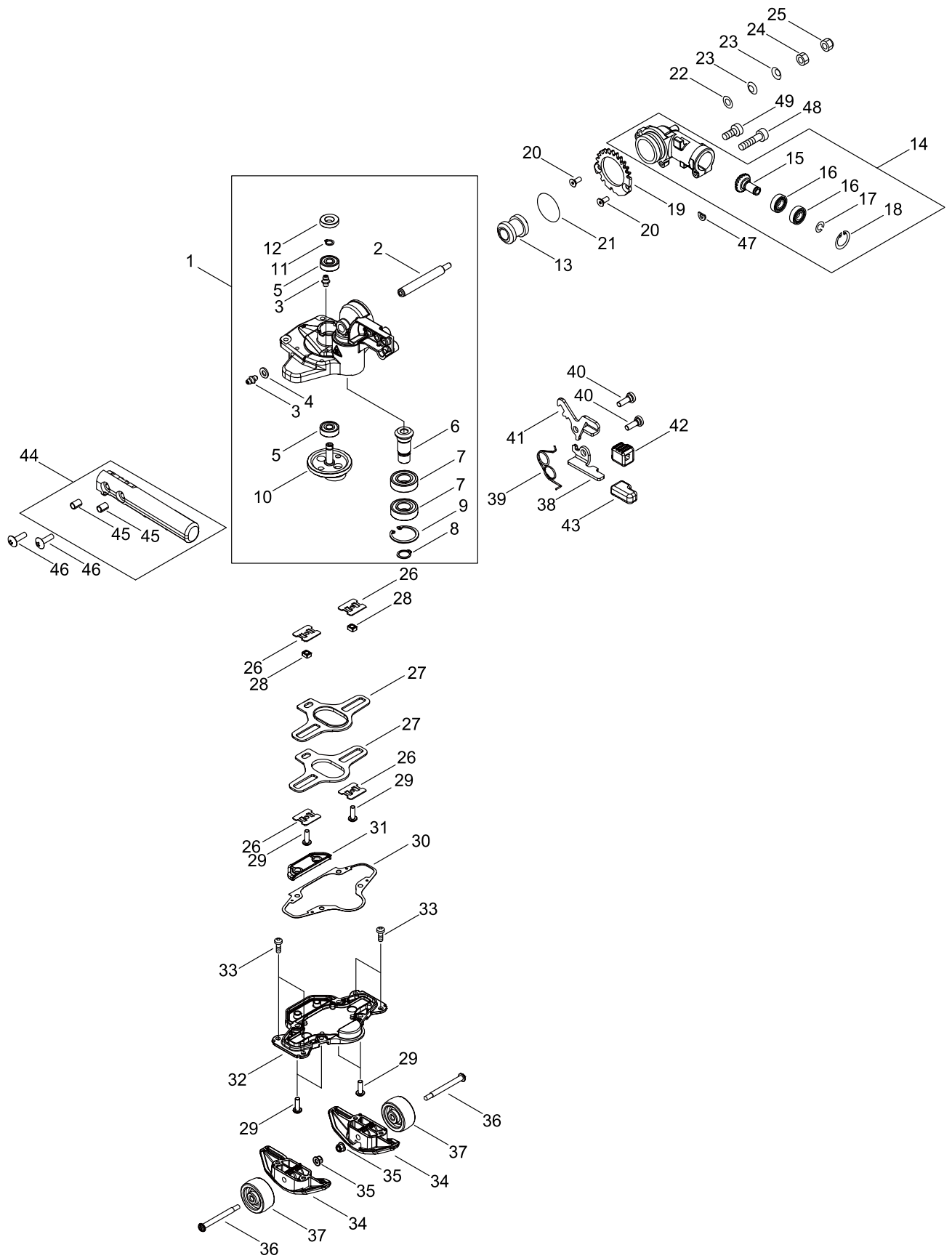
MOTOR

Key No.	LV (+)	Parts Number	Parts Description	Qty	Standard	Class
1		A054-000350	MOTOR,ASM	1	AE4920、□6.8	D
2		A047-000550	BOARD,ASM CONTROL	1		D
3		A047-000430	SWITCH	1		D
4		A575-000800	FIXTURE, MAIN PIPE	1		C
5		V805-000140	BOLT, TORX 5	3	TB-5*12 10.9	C
6		V805-000170	BOLT, TORX 5	1	TB-5*25 10.9	C
7		V805-000130	BOLT, TORX 5	1	TB-5*10 10.9	C
8		A539-000500	COVER,MOTOR	1	LEFT	C
9		A539-000510	COVER,MOTOR	1	RIGHT	C
10		C490-000040	LOCKOUT	1		C
11		J361-000820	LEVER	1		D
12		V450-002490	SPRING,COMPRESSION	2		B
13		V805-000010	BOLT, TORX 5	3	TT-5*20 DG 10.9	C
14		V804-000160	BOLT, TORX 4	7	TT-P 4*12	C
15		X502-000390	LABEL,ECHO	1	ECHO 72.5*15	D
16		X503-016500	LABEL,MODEL	1	DTT-2100	

Class : Consumable class

A:Fast moving parts B:Semi-fast moving parts C:Slow moving parts D:Order only as needed

GEAR CASE



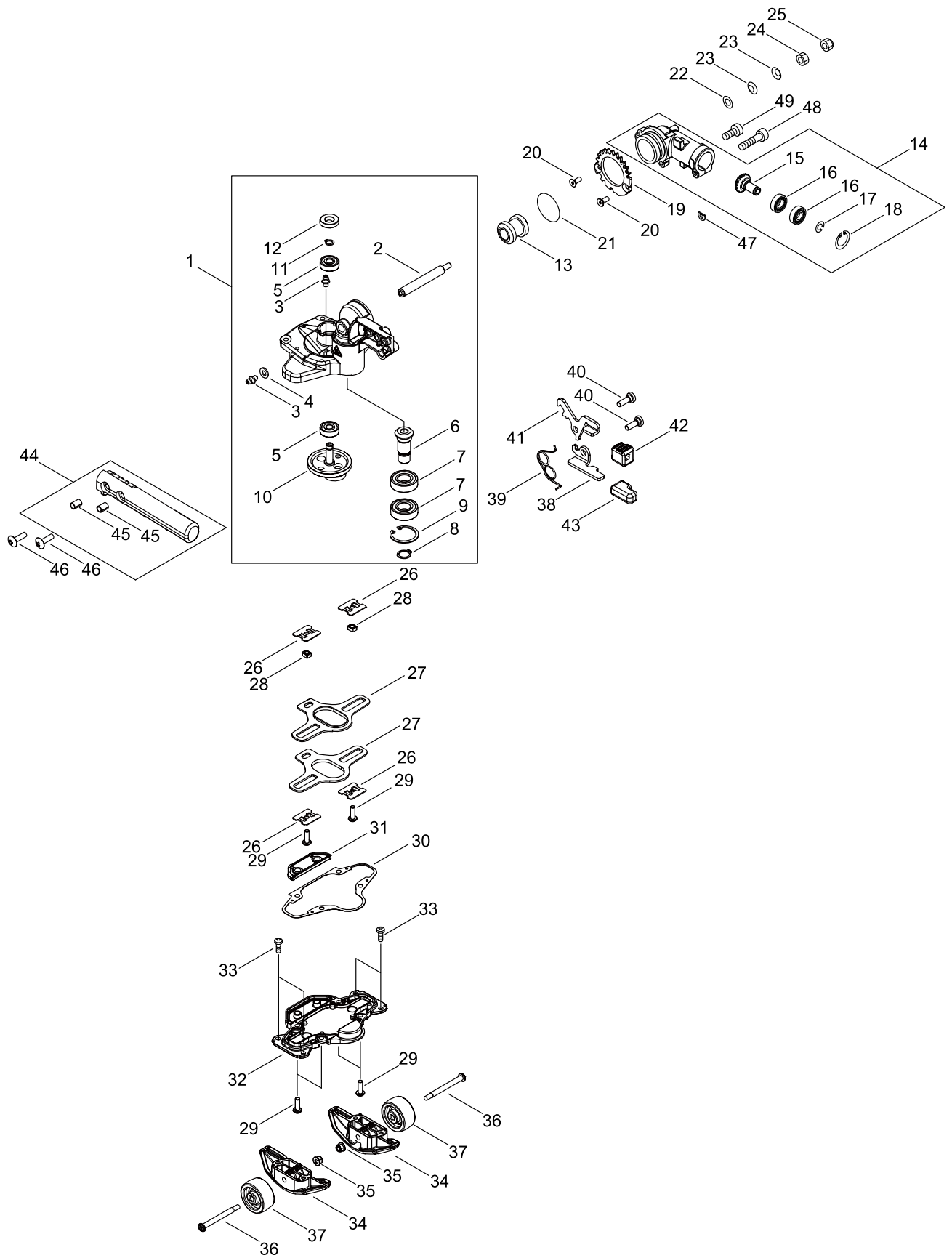
GEAR CASE

Key No.	LV (+)	Parts Number	Parts Description	Qty	Standard	Class
1		P100-011760	CASE ASY, GEAR	1		C
2	+	C534-001010	SHAFT, GEAR	1	10 M6-M6	D
3	+	V187-000080	GREASE NIPPLE	2		C
4	+	900603-00006	WASHER	1	6	
5	+	900804-00608	BEARING, BALL	2	608ZZ	
6	+	V655-000090	SHAFT,PINION	1		C
7	+	900804-06002	BEARING, BALL	2	6002ZZ	
8	+	900701-00014	RETAINING RING	1	CS-14	
9	+	900702-00032	RETAINING RING	1	CR-32	
10	+	V060-000150	GEAR,SPUR	1		
11	+	92423-08000	RETAINING RING	1	CS-8	
12	+	V500-000090	SEAL,OIL	1	MH8225	C
13		P021-047570	GEAR,BEVEL SET	1		
14		P100-011770	CASE ASY, GEAR	1		C
15	+	V651-001000	GEAR,BEVEL	1		D
16	+	900859-06901	BEARING, BALL	2	6901ZZ	
17	+	900706-00012	RETAINING RING	1	WR-12	
18	+	900702-00024	RETAINING RING	1	CR-24	
19		C465-000030	RESETTER, LATCH	1		C
20		900175-05012	BOLT HSH	2	5*12	
21		900724-00035	O-RING	1	S-35	
22		900603-00006	WASHER	1	6	
23		V347-000030	CONE WASHER	2		C
24		900502-00006	NUT	1	6	
25		900560-00006	NUT, LOCK	1	6	
26		C628-000410	PIECE, PLATE	4	T1.0	D
27		C532-000690	ROD, CONNECTING	2	T2.0	C
28		V353-000730	COLLAR,5	2	9*7.45*4.3	C
29		V835-000000	BOLT, TORX 5	6	TB-5*16 ALL 10.9	C
30		V110-000250	GASKET,GEAR CASE	1	T1.0	A
31		V541-000820	SEAL	1		C
32		C539-000220	LID,GEARCASE	1		D
33		V805-000000	BOLT, TORX 5	4	TT-5*16 DG 10.9	C
34		J447-002070	GUARD	2		B
35		92108-05000	NUT, FLANGE	2	5	
36		C710-000150	SHAFT,AXLE	2	M5	D
37		C730-000160	WHEEL	2	NM-40	B
38		C661-000080	SAFTY LEVER	1		C
39		V452-000710	COIL SPRING	1		B
40		V204-000580	BOLT,6	2		C
41		C661-000150	LEVER, RELEASE	1	T3.2	C
42		V494-000880	CAP	1		C
43		V494-000891	CAP	1		C
44		C403-000480	HANDLE	1		C

Class : Consumable class

A:Fast moving parts B:Semi-fast moving parts C:Slow moving parts D:Order only as needed

GEAR CASE



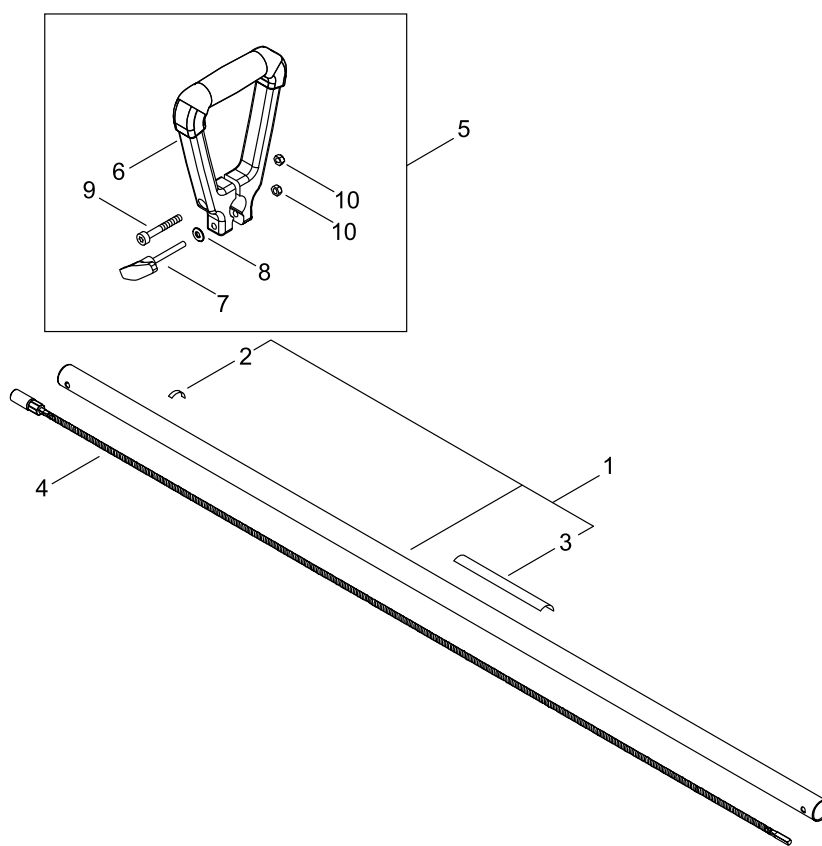
GEAR CASE

Key No.	LV (+)	Parts Number	Parts Description	Qty	Standard	Class
45	+	V354-000320	COLLAR	2		C
46		91463-06020	SCREW	2	6*20	
47		V340-000300	SHIM	1		C
48		V805-000170	BOLT, TORX 5	1	TB-5*25 10.9	C
49		V805-000130	BOLT, TORX 5	1	TB-5*10 10.9	C

Class : Consumable class

A:Fast moving parts B:Semi-fast moving parts C:Slow moving parts D:Order only as needed

MAIN PIPE, HANDLE



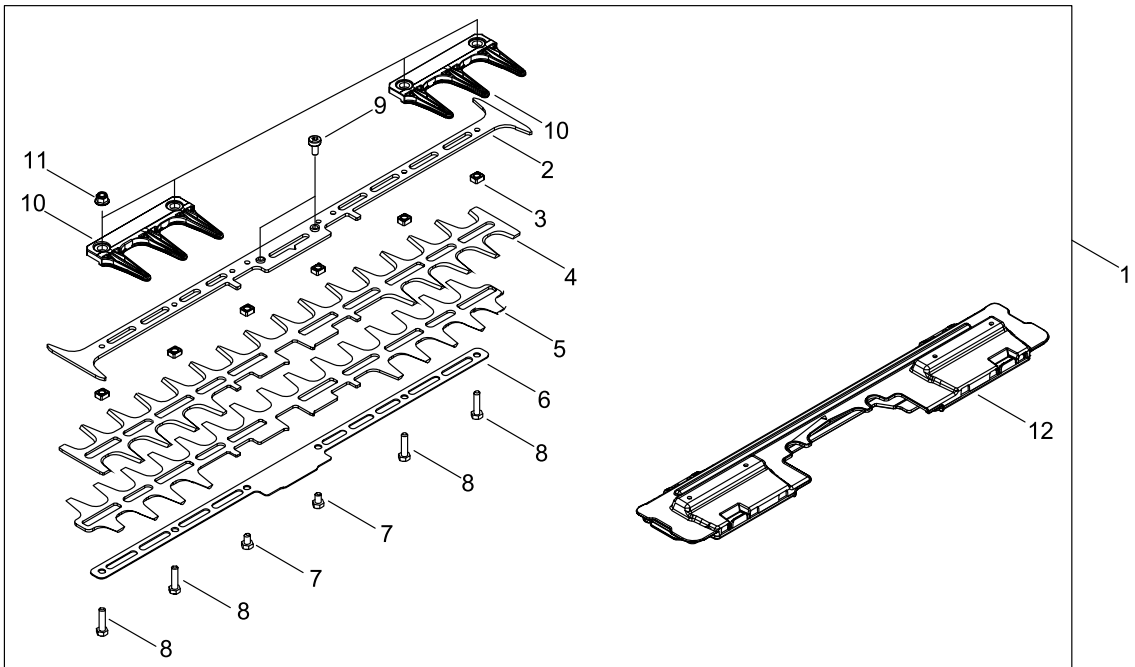
MAIN PIPE, HANDLE

Key No.	LV (+)	Parts Number	Parts Description	Qty	Standard	Class
1		P200-001710	MAIN PIPE ASY	1		
2	+	890152-04930	LABEL, CAUTION	1		D
3	+	X505-011900	LABEL, CAUTION	1		
4		C506-000820	SHAFT, FLEXIBLE	1	L=1330	
5		P100-011791	HANDLE ASY	1		C
6	+	C040-000450	HANDLE	1		C
7	+	V299-000380	KNOB	1		C
8	+	V304-000160	WASHER	1		C
9	+	V806-000140	BOLT, TORX 6	1	TB-6*45 12.9	C
10	+	900500-00006	NUT	2	6	

Class : Consumable class

A:Fast moving parts B:Semi-fast moving parts C:Slow moving parts D:Order only as needed

CUTTING BLADE



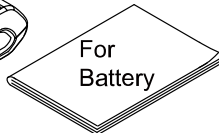
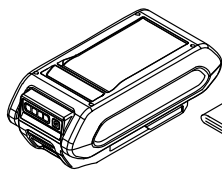
CUTTING BLADE

Key No.	LV (+)	Parts Number	Parts Description	Qty	Standard	Class
1		P200-001520	CUTTER,ASM	1		B
2	+	X425-001190	SUPPORT,CUTTER	1	T2.5	B
3	+	V353-000730	COLLAR,5	6	9*7.45*4.3	C
4	+	X411-001380	CUTTER	1		A
5	+	X411-001390	CUTTER	1		A
6	+	X425-001200	SUPPORT,CUTTER	1	T1.0	B
7	+	V203-002600	BOLT,5	2	M5*8 10.9	C
8	+	91049-05020	BOLT	4	5*20	C
9	+	V805-000130	BOLT, TORX 5	2	TB-5*10 10.9	C
10	+	X431-000270	BLUNT	2		C
11	+	92108-05000	NUT, FLANGE	4	5	
12	+	X495-001070	SCABBARD,BLADE	1		D

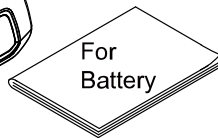
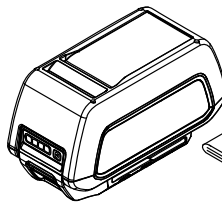
Class : Consumable class

A:Fast moving parts B:Semi-fast moving parts C:Slow moving parts D:Order only as needed

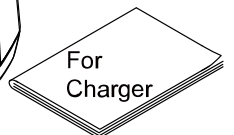
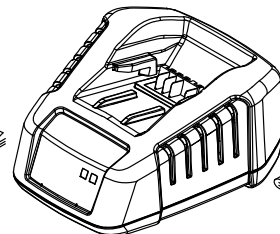
ACCESSORIES



LBP-50-150



LBP-50-250



LCJQ-560CB

* Batteries and charger are handle as accessories instead of spare parts. Please place an order of batteries and charger at the same time as unit order.

ACCESSORIES

Key No.	LV (+)	Parts Number	Parts Description	Qty	Standard	Class
1		X605-000170	TOOL,L WRENCH	1		D
2		895410-03930	WRENCH, W/S. DRIVER	1		D

Class : Consumable class

A:Fast moving parts B:Semi-fast moving parts C:Slow moving parts D:Order only as needed

NUMERICAL PARTS INDEX

Part No	Part description	Page	Part No	Part description	Page
890152-04930	LABEL, CAUTION	8	P200-001520	CUTTER,ASM	10
895410-03930	WRENCH, W/S. DRIVER	12	P200-001710	MAIN PIPE ASY	8
900175-05012	BOLT HSH	4	V060-000150	GEAR,SPUR	4
900500-00006	NUT	8	V110-000250	GASKET,GEAR CASE	4
900502-00006	NUT	4	V187-000080	GREASE NIPPLE	4
900560-00006	NUT, LOCK	4	V203-002600	BOLT,5	10
900603-00006	WASHER	4	V204-000580	BOLT,6	4
900701-00014	RETAINING RING	4	V299-000380	KNOB	8
900702-00024	RETAINING RING	4	V304-000160	WASHER	8
900702-00032	RETAINING RING	4	V340-000300	SHIM	6
900706-00012	RETAINING RING	4	V347-000030	CONE WASHER	4
900724-00035	O-RING	4	V353-000730	COLLAR,5	4
900804-00608	BEARING, BALL	4	V353-000730	COLLAR,5	10
900804-06002	BEARING, BALL	4	V354-000320	COLLAR	6
900859-06901	BEARING, BALL	4	V450-002490	SPRING,COMPRESSION	2
91049-05020	BOLT	10	V452-000710	COIL SPRING	4
91463-06020	SCREW	6	V494-000880	CAP	4
92108-05000	NUT, FLANGE	4	V494-000891	CAP	4
92108-05000	NUT, FLANGE	10	V500-000090	SEAL,OIL	4
92423-08000	RETAINING RING	4	V541-000820	SEAL	4
A047-000430	SWITCH	2	V651-001000	GEAR,BEVEL	4
A047-000550	BOARD,ASM CONTROL	2	V655-000090	SHAFT,PINION	4
A054-000350	MOTOR,ASM	2	V804-000160	BOLT, TORX 4	2
A539-000500	COVER,MOTOR	2	V805-000000	BOLT, TORX 5	4
A539-000510	COVER,MOTOR	2	V805-000010	BOLT, TORX 5	2
A575-000800	FIXTURE, MAIN PIPE	2	V805-000130	BOLT, TORX 5	2
C040-000450	HANDLE	8	V805-000130	BOLT, TORX 5	6
C403-000480	HANDLE	4	V805-000130	BOLT, TORX 5	10
C465-000030	RESETTER, LATCH	4	V805-000140	BOLT, TORX 5	2
C490-000040	LOCKOUT	2	V805-000170	BOLT, TORX 5	2
C506-000820	SHAFT, FLEXIBLE	8	V805-000170	BOLT, TORX 5	6
C532-000690	ROD, CONNECTING	4	V806-000140	BOLT, TORX 6	8
C534-001010	SHAFT, GEAR	4	V835-000000	BOLT, TORX 5	4
C539-000220	LID,GEARCASE	4	X411-001380	CUTTER	10
C628-000410	PIECE, PLATE	4	X411-001390	CUTTER	10
C661-000080	SAFTY LEVER	4	X425-001190	SUPPORT,CUTTER	10
C661-000150	LEVER, RELEASE	4	X425-001200	SUPPORT,CUTTER	10
C710-000150	SHAFT,AXLE	4	X431-000270	BLUNT	10
C730-000160	WHEEL	4	X495-001070	SCABBARD,BLADE	10
J361-000820	LEVER	2	X502-000390	LABEL,ECHO	2
J447-002070	GUARD	4	X503-016500	LABEL,MODEL	2
P021-047570	GEAR,BEVEL SET	4	X505-011900	LABEL,CAUTION	8
P100-011760	CASE ASY, GEAR	4	X605-000170	TOOL,L WRENCH	12
P100-011770	CASE ASY, GEAR	4			
P100-011791	HANDLE ASY	8			