

# DHCS-2800

Serial Number

E8094500001-E80945999999

Last updated date

21/Jul/2023



## TABLE OF CONTENTS

---

MOTOR, GEAR CASE.....	1
CUTTING BLADE .....	3
HANDLE.....	5
CONTROL .....	7
ACCESSORIES .....	9

# MOTOR, GEAR CASE



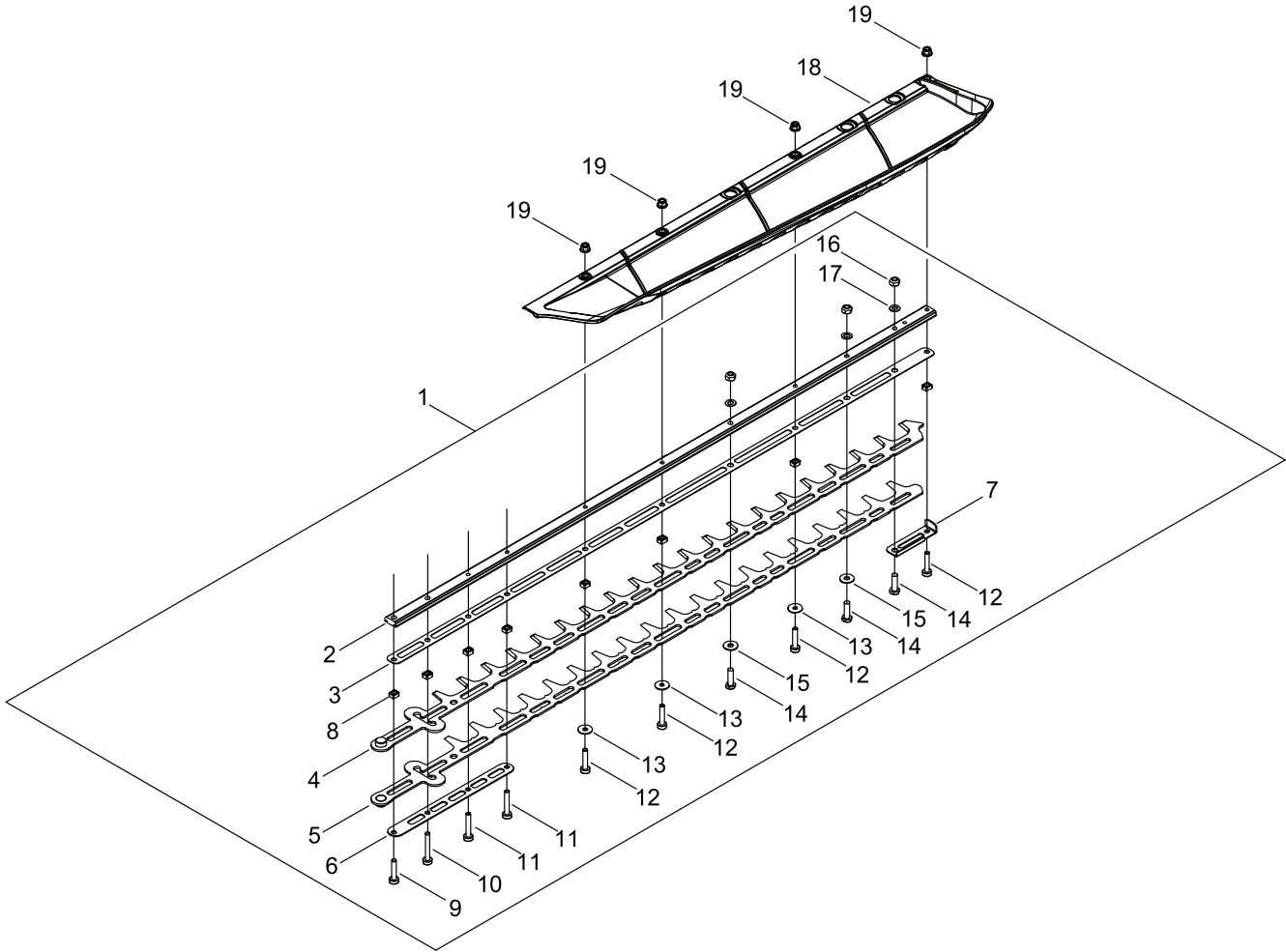
## MOTOR, GEAR CASE

Key No.	LV (+)	Parts Number	Parts Description	Qty	Standard	Class
1		A054-000370	MOTOR,ASM	1		D
2		V804-000050	BOLT, TORX 4	3	TB-4*12 10.9	C
3		A539-000540	COVER,MOTOR	1		C
4		P100-013460	COVER,MOTOR ASY	1		
5	+	X638-000010	CAP,NIPPLE	1		D
6		V420-005780	CUSHION	1		B
7		V804-000170	BOLT, TORX 4	5	TT-P 4*16	C
8		V805-000150	BOLT, TORX 5	4	TB-5*16 10.9	C
9		J470-009390	COVER	1		D
10		P100-013060	CASE,FAN ASY	1		C
11		V804-000050	BOLT, TORX 4	1	TB-4*12 10.9	C
12		A047-000640	BOARD,ASM CONTROL	1		D
13		P100-013100	CASE ASY, GEAR	1		C
14	+	V187-000080	GREASE NIPPLE	1		C
15		P100-013110	LID ASY, GEARCASE	1		D
16	+	V203-002640	BOLT,5	1	TB-5*6	C
17		P100-013121	GEAR,SPUR	1		
18		C532-000700	ROD, CONNECTING	2		C
19		V572-000000	BEARING, NEEDLE	2		C
20		C603-001270	PLATE, SIDE	2		C
21		V541-000620	SEAL	1		C
22		V110-000260	GASKET,GEAR CASE	1		A
23		V804-000060	BOLT, TORX 4	5	TB-4*16 10.9	C
24		X543-006220	LABEL,MODEL	1	DHCS-2800	D
25		X502-001340	LABEL,ECHO	1		D

Class : Consumable class

A:Fast moving parts B:Semi-fast moving parts C:Slow moving parts D:Order only as needed

# CUTTING BLADE



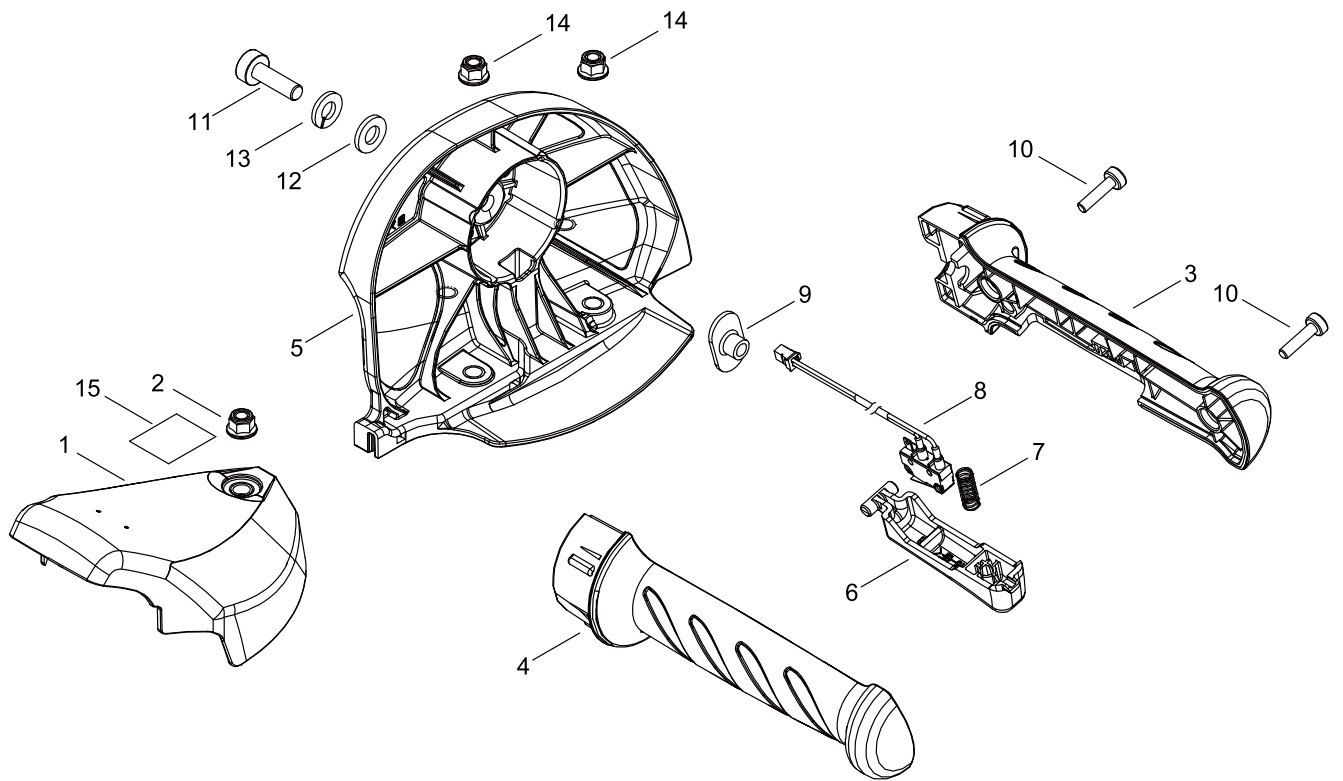
## CUTTING BLADE

Key No.	LV (+)	Parts Number	Parts Description	Qty	Standard	Class
1		X041-000850	CUTTER,ASM	1	30" T 2.2	B
2	+	X425-001250	SUPPORT,CUTTER	1		B
3	+	X425-001260	SUPPORT,CUTTER	1		B
4	+	X411-001440	CUTTER	1	30	A
5	+	X411-001450	CUTTER	1	30	A
6	+	X425-001230	SUPPORT,CUTTER	1		B
7	+	X425-001270	SUPPORT,CUTTER	1		B
8	+	V376-002940	SPACER	8	7.45*9*4.7	C
9	+	V805-000220	BOLT, TORX 5	1	TB-5*25 12.9	C
10	+	V805-000370	BOLT, TORX 5	1	TB-5*35 ALL 12.9	C
11	+	V805-000360	BOLT, TORX 5	2	TB-5*30 ALL10.9	C
12	+	V805-000170	BOLT, TORX 5	4	TB-5*25 10.9	C
13	+	V303-000290	WASHER	3		C
14	+	V204-000570	BOLT	3	M6*20	C
15	+	V304-000240	WASHER	2		C
16	+	433022-06460	NUT	3		C
17	+	900600-00006	WASHER	3	6	
18		C571-000210	GUIDE, CORRECTION	1	30	D
19		92108-05000	NUT, FLANGE	4	5	

Class : Consumable class

A:Fast moving parts B:Semi-fast moving parts C:Slow moving parts D:Order only as needed

# HANDLE





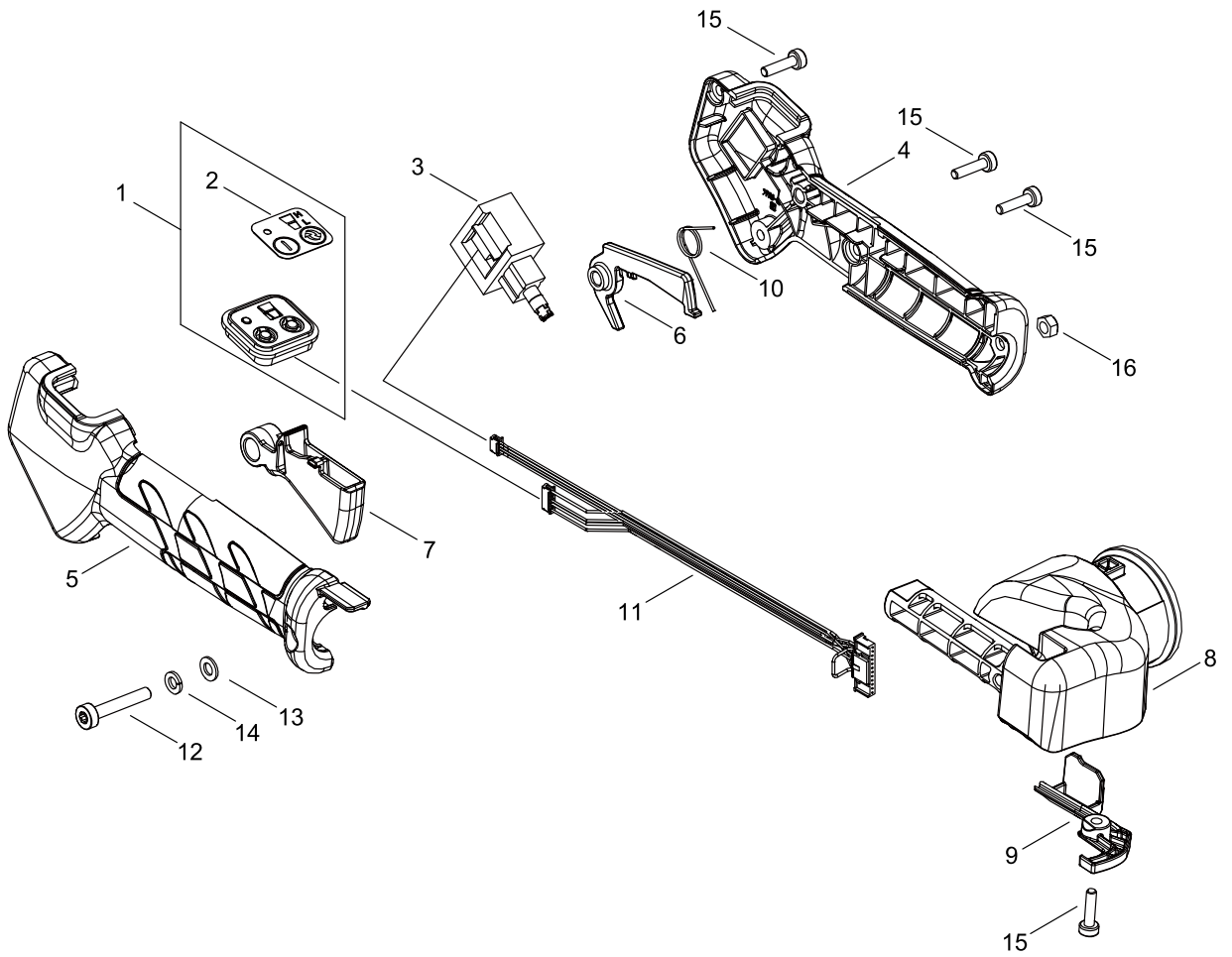
## HANDLE

Key No.	LV (+)	Parts Number	Parts Description	Qty	Standard	Class
1		J470-009520	COVER	1		D
2		92108-05000	NUT, FLANGE	1	5	
3		C412-000810	GRIP, HANDLE	1		C
4		C412-000820	GRIP, HANDLE	1		C
5		C440-000120	GUARD, HAND	1		C
6		J361-000890	LEVER	1		D
7		V450-002490	SPRING, COMPRESSION	1		B
8		C130-001300	HARNES, WIRE	1		D
9		V264-000390	NUT, 6	1		C
10		V804-000170	BOLT, TORX 4	2	TT-P 4*16	C
11		V806-000050	BOLT, TORX 6	1	TB-6*20 12.9	C
12		900602-00006	WASHER	1	6	
13		900605-00006	WASHER, SPRING	1	6	
14		92108-05000	NUT, FLANGE	2	5	
15		X505-011880	LABEL, CAUTION	1		D

Class : Consumable class

A:Fast moving parts B:Semi-fast moving parts C:Slow moving parts D:Order only as needed

# CONTROL



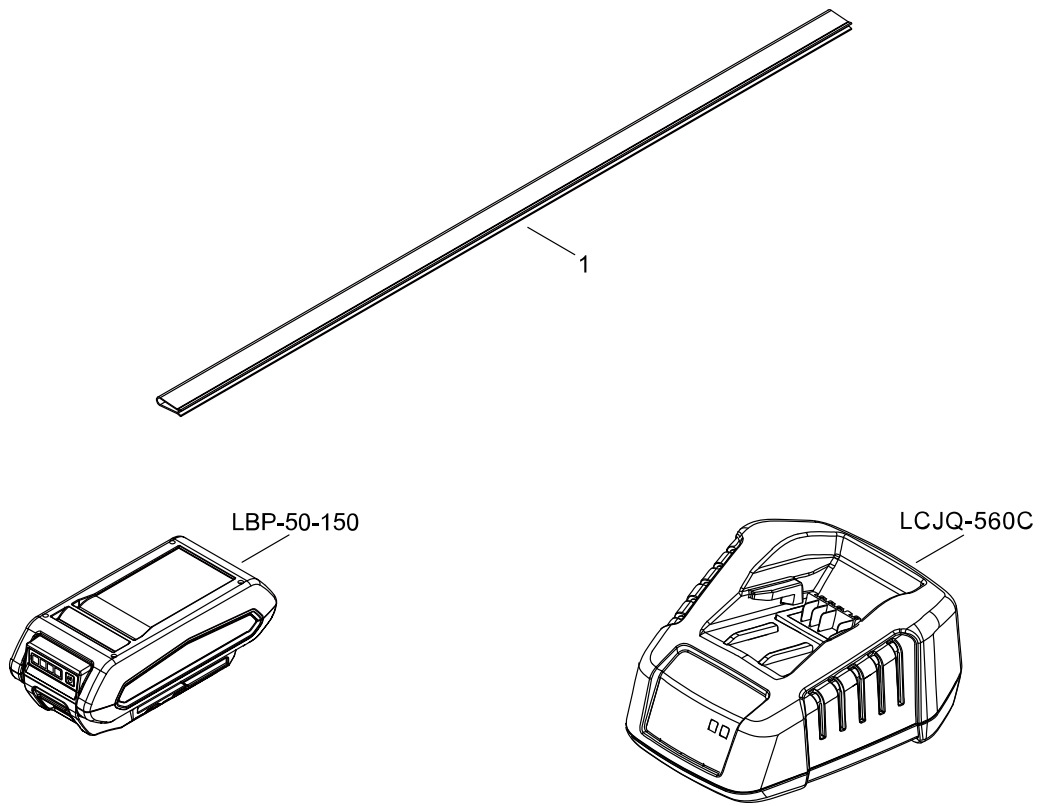
## CONTROL

Key No.	LV (+)	Parts Number	Parts Description	Qty	Standard	Class
1		A047-000630	BOARD,ASM CONTROL	1		D
2	+	X510-001400	LABEL,SWITCH	1		D
3		G334-001830	SWITCH	1	G33407S0080	C
4		C412-000790	GRIP, HANDLE	1		C
5		C412-000800	GRIP, HANDLE	1		C
6		C490-000090	LOCKOUT	1		C
7		J361-000880	LEVER	1		D
8		C410-001590	HANDLE, REAR	1		C
9		C138-000080	COVER,HARNESS	1		D
10		V452-002110	SPRING,TORSION	1	RELEASE LEVER	B
11		C130-001290	HARNESS, WIRE	1		D
12		V805-000180	BOLT, TORX 5	1	TB-5*30 12.9	C
13		900602-00005	WASHER	1	5	
14		900605-00005	WASHER, SPRING	1	5	
15		V804-000170	BOLT, TORX 4	4	TT-P 4*16	C
16		900562-00005	NUT, LOCK	1	5	

Class : Consumable class

A:Fast moving parts B:Semi-fast moving parts C:Slow moving parts D:Order only as needed

# ACCESSORIES



\* Batteries and charger are handle as accessories instead of spare parts.  
Please place an order of batteries and charger at the same time as unit order.

## ACCESSORIES

Key No.	LV (+)	Parts Number	Parts Description	Qty	Standard	Class
1		X495-001110	SCABBARD, BLADE	1	30	D

Class : Consumable class

A:Fast moving parts B:Semi-fast moving parts C:Slow moving parts D:Order only as needed

# NUMERICAL PARTS INDEX

Part No	Part description	Page	Part No	Part description	Page
433022-06460	NUT	4	V450-002490	SPRING,COMPRESSION	6
900562-00005	NUT, LOCK	8	V452-002110	SPRING,TORSION	8
900600-00006	WASHER	4	V541-000620	SEAL	2
900602-00005	WASHER	8	V572-000000	BEARING, NEEDLE	2
900602-00006	WASHER	6	V804-000050	BOLT, TORX 4	2
900605-00005	WASHER, SPRING	8	V804-000060	BOLT, TORX 4	2
900605-00006	WASHER, SPRING	6	V804-000170	BOLT, TORX 4	2
92108-05000	NUT, FLANGE	4	V804-000170	BOLT, TORX 4	6
92108-05000	NUT, FLANGE	6	V804-000170	BOLT, TORX 4	8
A047-000630	BOARD,ASM CONTROL	8	V805-000150	BOLT, TORX 5	2
A047-000640	BOARD,ASM CONTROL	2	V805-000170	BOLT, TORX 5	4
A054-000370	MOTOR,ASM	2	V805-000180	BOLT, TORX 5	8
A539-000540	COVER,MOTOR	2	V805-000220	BOLT, TORX 5	4
C130-001290	HARNESS, WIRE	8	V805-000360	BOLT, TORX 5	4
C130-001300	HARNESS, WIRE	6	V805-000370	BOLT, TORX 5	4
C138-000080	COVER,HARNESS	8	V806-000050	BOLT, TORX 6	6
C410-001590	HANDLE, REAR	8	X041-000850	CUTTER,ASM	4
C412-000790	GRIP, HANDLE	8	X411-001440	CUTTER	4
C412-000800	GRIP, HANDLE	8	X411-001450	CUTTER	4
C412-000810	GRIP, HANDLE	6	X425-001230	SUPPORT,CUTTER	4
C412-000820	GRIP, HANDLE	6	X425-001250	SUPPORT,CUTTER	4
C440-000120	GUARD, HAND	6	X425-001260	SUPPORT,CUTTER	4
C490-000090	LOCKOUT	8	X425-001270	SUPPORT,CUTTER	4
C532-000700	ROD, CONNECTING	2	X495-001110	SCABBARD,BLADE	10
C571-000210	GUIDE, CORRECTION	4	X502-001340	LABEL,ECHO	2
C603-001270	PLATE, SIDE	2	X505-011880	LABEL,CAUTION	6
G334-001830	SWITCH	8	X510-001400	LABEL,SWITCH	8
J361-000880	LEVER	8	X543-006220	LABEL,MODEL	2
J361-000890	LEVER	6	X638-000010	CAP,NIPPLE	2
J470-009390	COVER	2			
J470-009520	COVER	6			
P100-013060	CASE,FAN ASY	2			
P100-013100	CASE ASY, GEAR	2			
P100-013110	LID ASY, GEARCASE	2			
P100-013121	GEAR,SPUR	2			
P100-013460	COVER,MOTOR ASY	2			
V110-000260	GASKET,GEAR CASE	2			
V187-000080	GREASE NIPPLE	2			
V203-002640	BOLT,5	2			
V204-000570	BOLT	4			
V264-000390	NUT,6	6			
V303-000290	WASHER	4			
V304-000240	WASHER	4			
V376-002940	SPACER	4			
V420-005780	CUSHION	2			