

DCS-3500

Serial Number

C87835000001-C87835999999

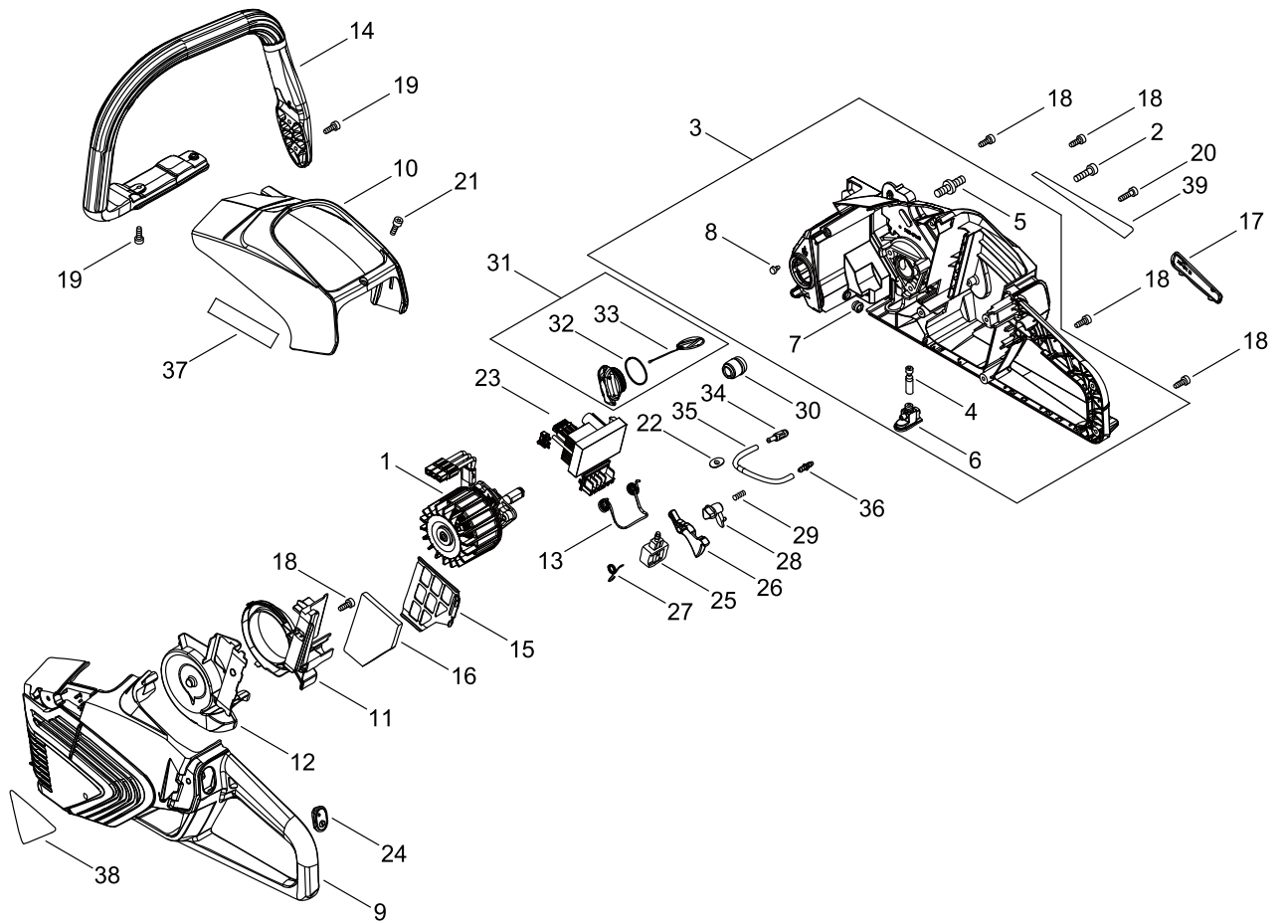
Last updated date

01/Sep/2021

TABLE OF CONTENTS

MOTOR	1
CHAIN BRAKE	3
ACCESSORIES	5

MOTOR



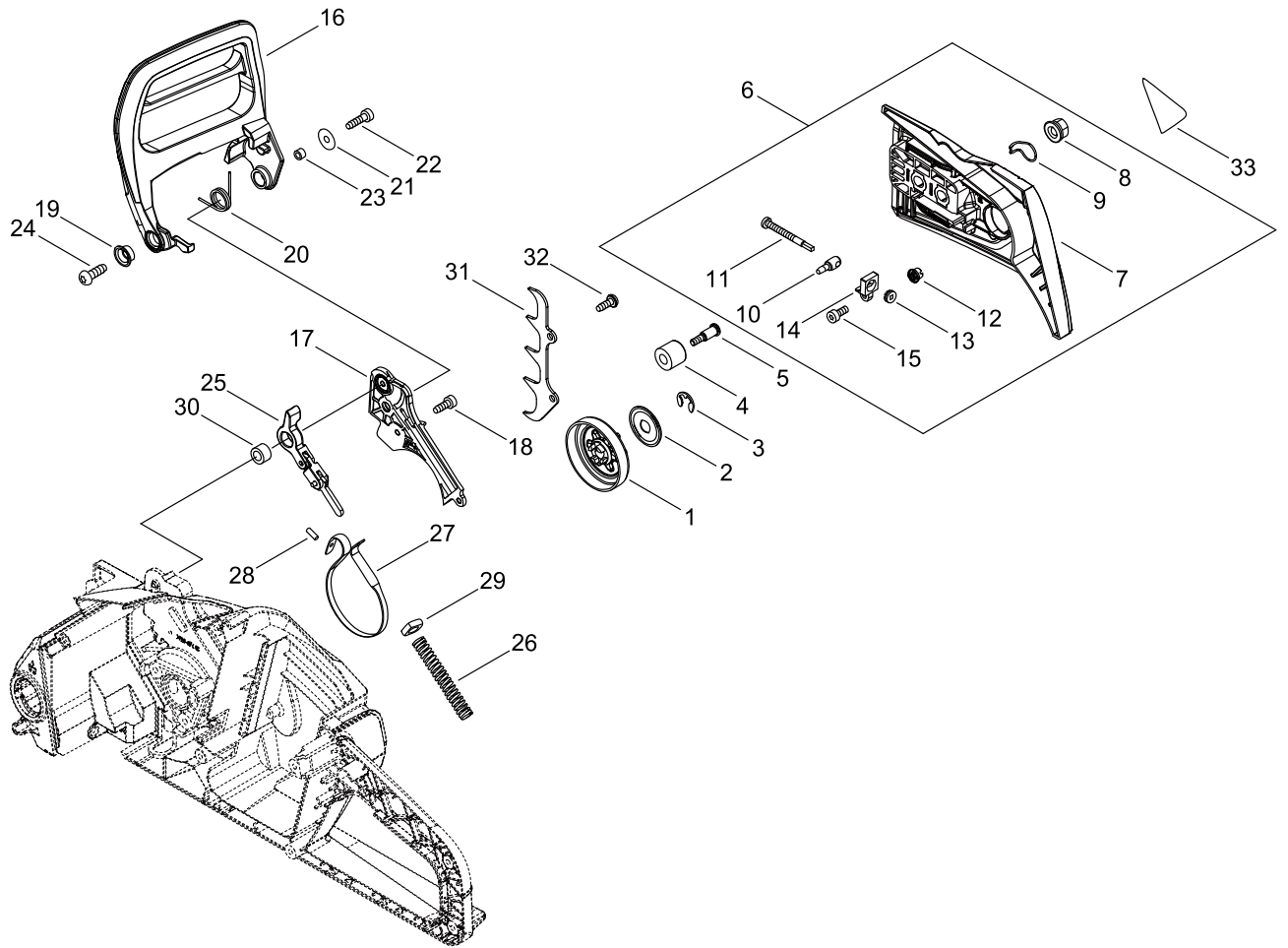
MOTOR

Key No.	LV (+)	Parts Number	Parts Description	Qty	Standard	Class
1		A054-000340	MOTOR,ASM	1		
2		V203-002570	BOLT,5	3	M5*20	
3		P100-004474	COVER,MOTOR ASY	1		C
4	+	C022-000190	AUTO-OILER ASSEMBLY	1		C
5	+	V225-000370	BOLT,STUD 8	2	M8	C
6	+	V470-002350	PIPE	1		C
7	+	132115-01462	GROMMET	1		C
8	+	A356-000130	VALVE,CHECK	1		B
9		A539-000440	COVER,MOTOR	1		C
10		J470-008660	COVER	1		
11		E103-001520	CASE,FAN	1		C
12		E103-001530	CASE,FAN	1		C
13		V452-001790	SPRING,TORSION	1		B
14		C400-001650	HANDLE, FRONT	1		C
15		A232-001960	LID,CLEANER	1		C
16		A226-002180	ELEMENT, AIR FILTER	1		A
17		C412-000740	GRIP, HANDLE	1		C
18		V804-000170	BOLT, TORX 4	7	TT-P 4*16	C
19		V804-000010	BOLT, TORX 4	4	TT-4*16 DG 10.9	C
20		V804-000180	BOLT, TORX 4	1	TT-P 4*20	C
21		V804-000060	BOLT, TORX 4	1	TB-4*16 10.9	C
22		V280-000000	NUT,WELD	1	M4	C
23		A047-000510	BOARD,ASM CONTROL	1		
24		A047-000391	SWITCH	1		D
25		G334-001830	SWITCH	1	G33407S0080	C
26		J361-000760	LEVER	1		
27		V452-001780	SPRING,TORSION	1		B
28		C490-000000	LOCKOUT	1		C
29		V450-002250	SPRING,COMPRESSION	1		B
30		V652-000250	GEAR,WORM	1		B
31		P100-004610	CAP,OIL ASY	1		
32	+	900720-20029	O-RING	1	P-29	
33	+	A365-000050	CONNECTOR,CAP	1		B
34		P100-001900	STRAINER, OIL	1		
35		V471-002381	PIPE	1	3*5*140	C
36		V186-000510	JOINT,PIPE	1		C
37		X502-001060	LABEL,ECHO	1		D
38		X543-005960	LABEL,MODEL	1	DCS-3500	
39		X505-011670	LABEL,CAUTION	1		

Class : Consumable class

A:Fast moving parts B:Semi-fast moving parts C:Slow moving parts D:Order only as needed

CHAIN BRAKE



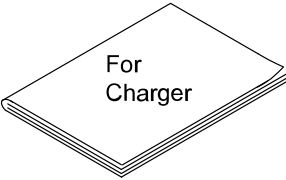
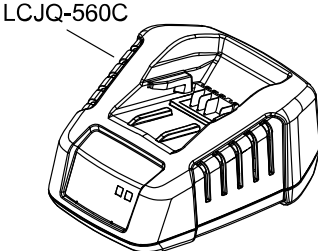
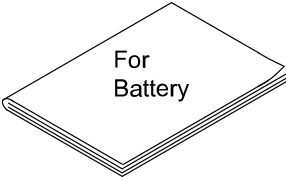
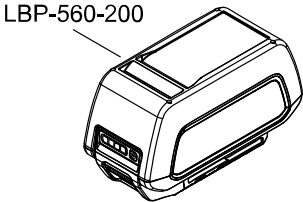
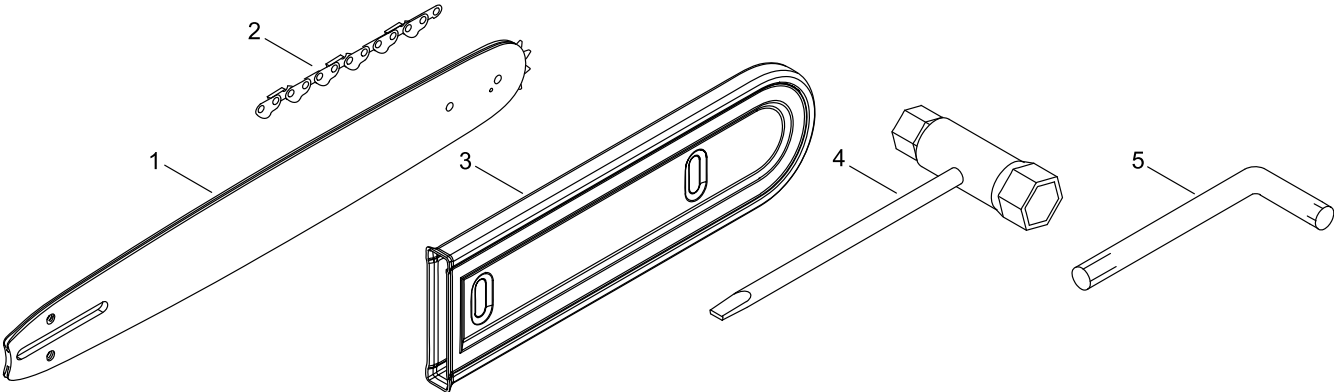
CHAIN BRAKE

Key No.	LV (+)	Parts Number	Parts Description	Qty	Standard	Class
1		A556-001800	DRUM, CLUTCH	1	3/8	B
2		V307-000620	WASHER,CIRCULAR 10	1	10*28.5*3.5(0.8)	C
3		V583-000440	RING	1	8.1 T1.2	C
4		C310-000140	CATCHER, CHAIN	1		B
5		V203-002260	BOLT,5	1		C
6		P100-011390	GUARD, SPROCKET ASY	1		
7	+	C300-001280	GUARD, SPROCKET	1		
8	+	V265-000550	NUT,8	2		C
9	+	C649-000420	HOOK	2		D
10	+	C309-000030	TENSIONER,CHAIN	1		C
11	+	V203-000041	BOLT,5	1		C
12	+	V651-001060	GEAR,BEVEL	1		D
13	+	V651-000011	GEAR,BEVEL	1		D
14	+	V355-000140	COLLAR,8	1		C
15	+	V804-000160	BOLT, TORX 4	1	TT-P 4*12	C
16		C320-000542	LEVER, BRAKE	1		C
17		C345-000670	COVER,BRAKE	1		C
18		V804-000170	BOLT, TORX 4	3	TT-P 4*16	C
19		V356-000430	COLLAR,10	1		C
20		V452-000250	SPRING,TORSION	1		B
21		177214-03930	WASHER	1		C
22		V804-000180	BOLT, TORX 4	1	TT-P 4*20	C
23		433116-35430	SPACER 8	1	8*12*9	C
24		V805-000010	BOLT, TORX 5	1	TT-5*20 DG 10.9	C
25		C334-000100	CONNECTOR, BRAKE	1		C
26		V450-002240	SPRING,COMPRESSION	1		B
27		C328-000340	BAND, BRAKE	1		C
28		93050-30098	ROLLER	1	3*9.8	
29		V376-000450	SPACER	1		C
30		433116-35430	SPACER 8	1	8*12*9	C
31		C304-000320	SPIKED	1		C
32		V805-000240	BOLT, TORX 5	2	TT-5*12 DG 10.9	C
33		X502-001070	LABEL,ECHO	1		D

Class : Consumable class

A:Fast moving parts B:Semi-fast moving parts C:Slow moving parts D:Order only as needed

ACCESSORIES



* Batteries and charger are handle as accessories instead of spare parts. Please place an order of batteries and charger at the same time as unit order.

ACCESSORIES

Key No.	LV (+)	Parts Number	Parts Description	Qty	Standard	Class
1		X123-000231	BAR,GUIDE 35	1	C35S90-52SA- ET	A
2		X223-000150	CHAIN,SAW	1	90PX-52E	A
3		X490-000510	SCABBARD,CHAIN	1	350	D
4		X602-000080	TOOL,WRENCH	1	13*19 L180	D
5		X605-000170	TOOL,L WRENCH	1		D

Class : Consumable class

A:Fast moving parts B:Semi-fast moving parts C:Slow moving parts D:Order only as needed

NUMERICAL PARTS INDEX

Part No	Part description	Page	Part No	Part description	Page
132115-01462	GROMMET	2	V356-000430	COLLAR,10	4
177214-03930	WASHER	4	V376-000450	SPACER	4
433116-35430	SPACER 8	4	V450-002240	SPRING,COMPRESSION	4
900720-20029	O-RING	2	V450-002250	SPRING,COMPRESSION	2
93050-30098	ROLLER	4	V452-000250	SPRING,TORSION	4
A047-000391	SWITCH	2	V452-001780	SPRING,TORSION	2
A047-000510	BOARD,ASM CONTROL	2	V452-001790	SPRING,TORSION	2
A054-000340	MOTOR,ASM	2	V470-002350	PIPE	2
A226-002180	ELEMENT, AIR FILTER	2	V471-002381	PIPE	2
A232-001960	LID,CLEANER	2	V583-000440	RING	4
A356-000130	VALVE,CHECK	2	V651-000011	GEAR,BEVEL	4
A365-000050	CONNECTOR,CAP	2	V651-001060	GEAR,BEVEL	4
A539-000440	COVER,MOTOR	2	V652-000250	GEAR,WORM	2
A556-001800	DRUM, CLUTCH	4	V804-000010	BOLT, TORX 4	2
C022-000190	AUTO-OILER ASSEMBLY	2	V804-000060	BOLT, TORX 4	2
C300-001280	GUARD, SPROCKET	4	V804-000160	BOLT, TORX 4	4
C304-000320	SPIKED	4	V804-000170	BOLT, TORX 4	2
C309-000030	TENSIONER,CHAIN	4	V804-000170	BOLT, TORX 4	4
C310-000140	CATCHER, CHAIN	4	V804-000180	BOLT, TORX 4	2
C320-000542	LEVER, BRAKE	4	V804-000180	BOLT, TORX 4	4
C328-000340	BAND, BRAKE	4	V805-000010	BOLT, TORX 5	4
C334-000100	CONNECTOR, BRAKE	4	V805-000240	BOLT, TORX 5	4
C345-000670	COVER,BRAKE	4	X123-000231	BAR,GUIDE 35	6
C400-001650	HANDLE, FRONT	2	X223-000150	CHAIN,SAW	6
C412-000740	GRIP, HANDLE	2	X490-000510	SCABBARD,CHAIN	6
C490-000000	LOCKOUT	2	X502-001060	LABEL,ECHO	2
C649-000420	HOOK	4	X502-001070	LABEL,ECHO	4
E103-001520	CASE,FAN	2	X505-011670	LABEL,CAUTION	2
E103-001530	CASE,FAN	2	X543-005960	LABEL,MODEL	2
G334-001830	SWITCH	2	X602-000080	TOOL,WRENCH	6
J361-000760	LEVER	2	X605-000170	TOOL,L WRENCH	6
J470-008660	COVER	2			
P100-001900	STRAINER, OIL	2			
P100-004474	COVER,MOTOR ASY	2			
P100-004610	CAP,OIL ASY	2			
P100-011390	GUARD, SPROCKET ASY	4			
V186-000510	JOINT,PIPE	2			
V203-000041	BOLT,5	4			
V203-002260	BOLT,5	4			
V203-002570	BOLT,5	2			
V225-000370	BOLT,STUD 8	2			
V265-000550	NUT,8	4			
V280-000000	NUT,WELD	2			
V307-000620	WASHER,CIRCULAR 10	4			
V355-000140	COLLAR,8	4			