



PARTS CATALOG

ELECTRIC HEDGE TRIMMER

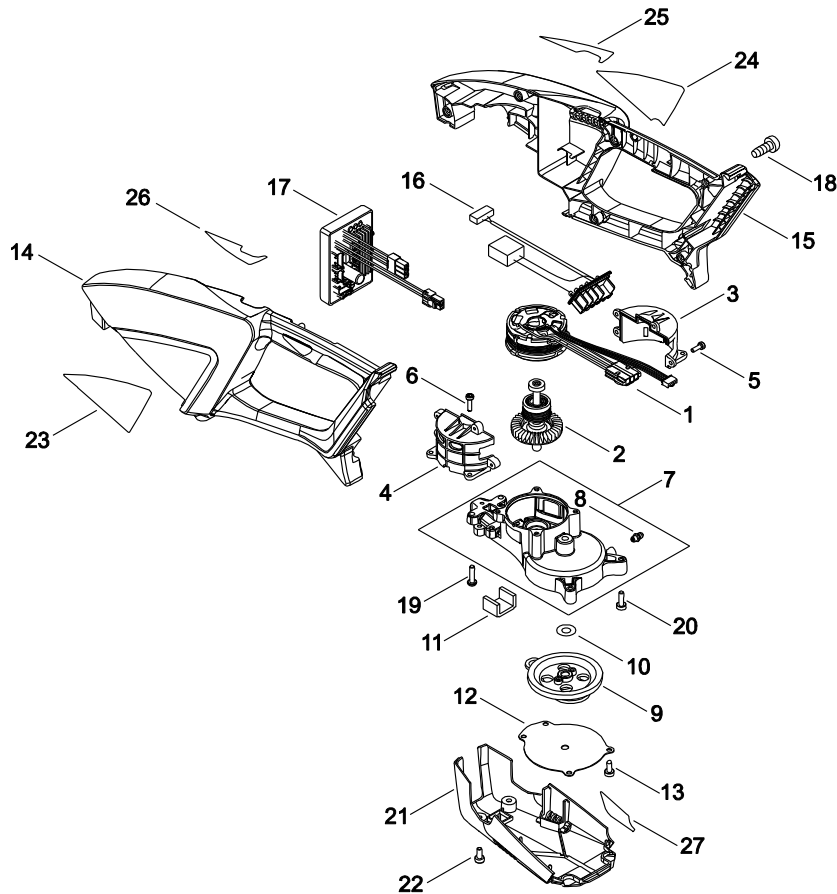
DHC-200/C1(35)

35000001 -



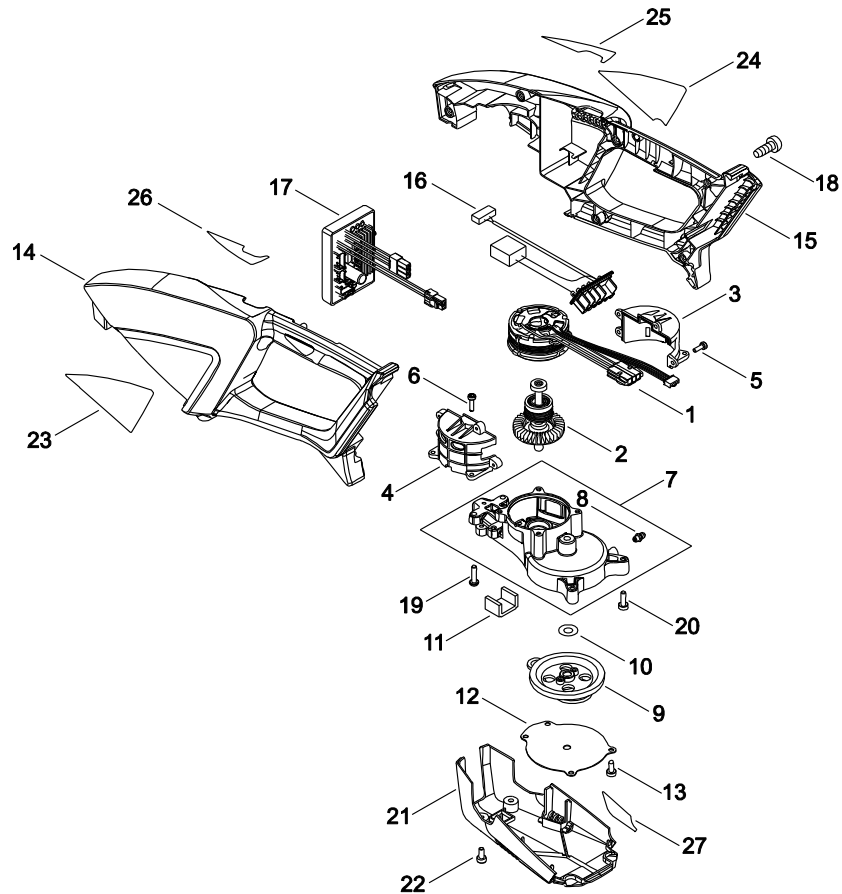
P014-005870-16H

1. MOTOR, GEAR CASE



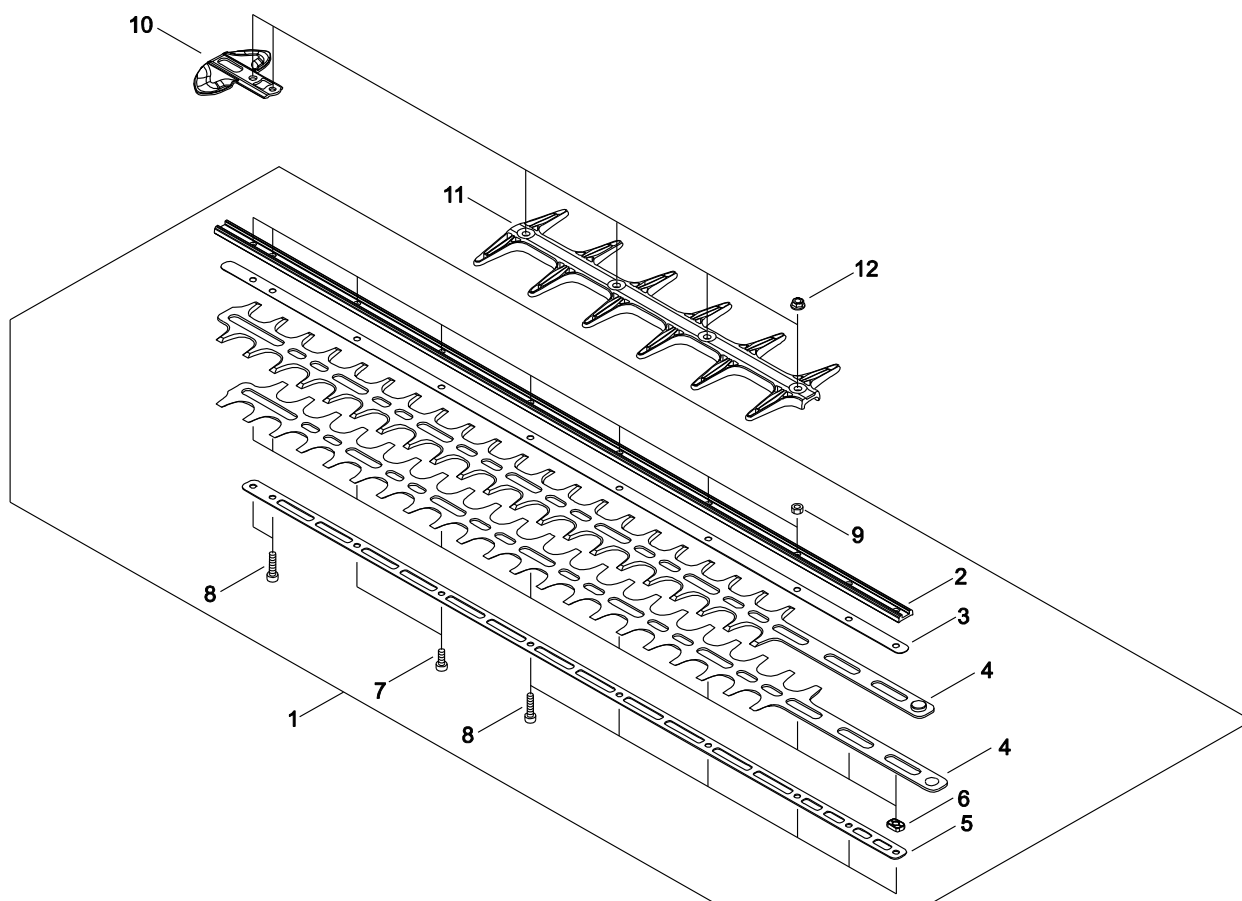
KEY	LV	PART NUMBER	Q'TY	DESCRIPTION	REMARKS	NOTE1	NOTE2
1		A041-000690	1	STATOR ASSEMBLY	P0.85X30		
2		M102-000810	1	ROTOR	100W HELICAL T6		
3		A538-000370	1	CASE,MOTOR			
4		A538-000380	1	CASE,MOTOR			
5		V804-000000	4	BOLT, TORX 4	TT-4*12 DG 10.9		
6		V804-000060	4	BOLT, TORX 4	TB-4*16 10.9		
7		P021-050700	1	CASE,GEAR ASY			
8	+	V187-000080	1	GREASE NIPPLE			
9		P021-045791	1	GEAR ASY			
10		V306-000510	1	WASHER,CIRCULAR 8	8.1*12*T0.5		
11		V541-000200	1	SEAL			
12		C542-000060	1	PLATE,CASE LID			
13		V805-000140	4	BOLT, TORX 5	TB-5*12 10.9		
14		A539-000410	1	COVER,MOTOR			
15		A539-000400	1	COVER,MOTOR			
16		V486-000510	1	TERMINAL,LEAD			
17		A047-000360	1	BOARD,ASM CONTROL			
18		V804-000010	6	BOLT, TORX 4	TT-4*16 DG 10.9		
19		V805-000010	2	BOLT, TORX 5	TT-5*20 DG 10.9		
20		V805-000140	2	BOLT, TORX 5	TB-5*12 10.9		
21		C539-000140	1	LID,GEARCASE			

1. MOTOR, GEAR CASE



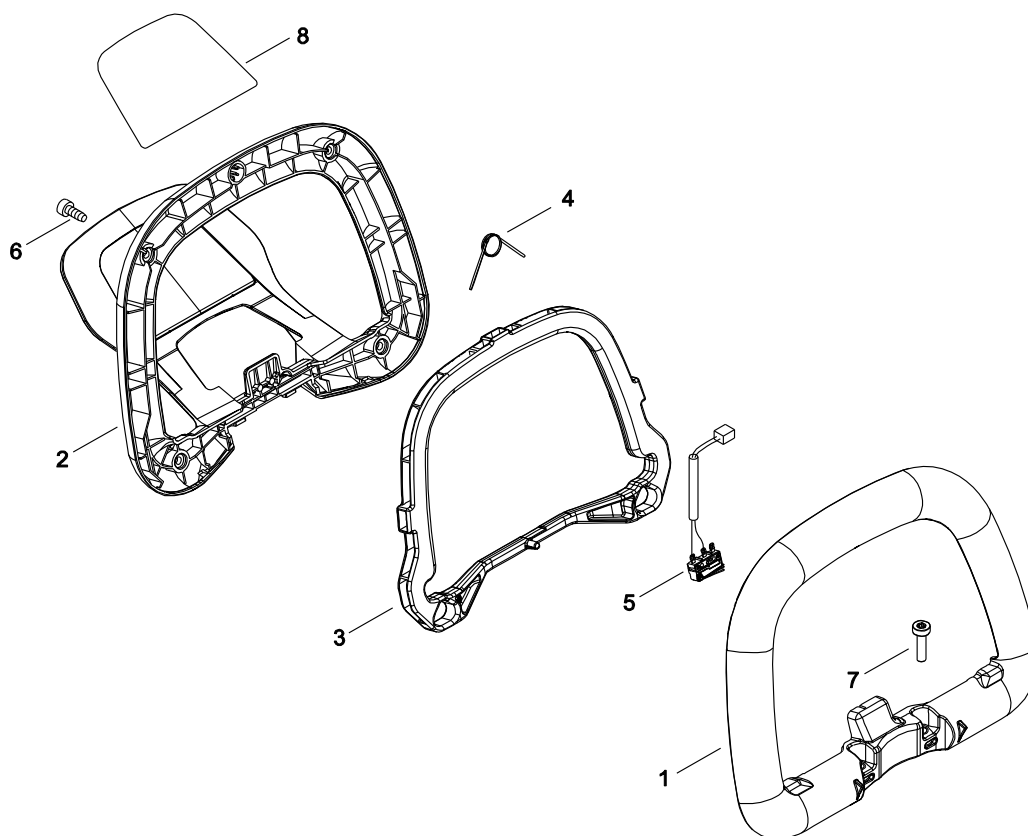
KEY	LV	PART NUMBER	Q'TY	DESCRIPTION	REMARKS	NOTE1	NOTE2
22		V805-000140	2	BOLT, TORX 5	TB-5*12 10.9		
23		X543-004850	1	LABEL,MODEL			
24		X543-004860	1	LABEL,MODEL			
25		X524-006150	1	LABEL			
26		X524-006160	1	LABEL			
27		X505-008930	1	LABEL,CAUTION			

2. BLADE



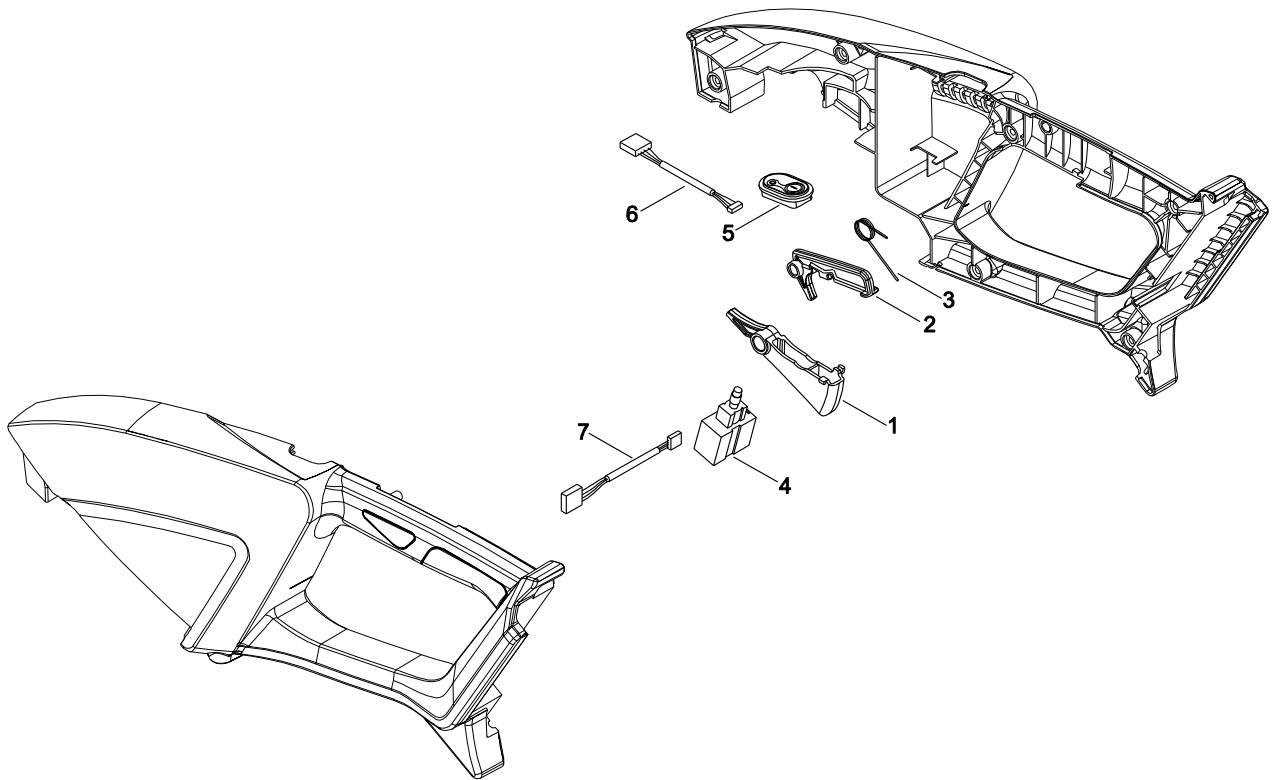
KEY	LV	PART NUMBER	Q'TY	DESCRIPTION	REMARKS	NOTE1	NOTE2
1		X041-000580	1	CUTTER,ASM			
2	+	X425-000980	1	SUPPORT,CUTTER	L769.5		
3	+	X425-000990	1	SUPPORT,CUTTER			
4	+	X411-001350	2	CUTTER			
5	+	X425-001000	1	SUPPORT,CUTTER			
6	+	V376-001370	10	SPACER	T4.2		
7	+	V805-000140	2	BOLT, TORX 5	TB-5*12 10.9		
8	+	V805-000160	8	BOLT, TORX 5	TB-5*20 10.9		
9	+	92022-05000	8	NUT	M5		
10		E278-000310	1	PROTECTOR			
11		X431-000230	1	BLUNT			
12		900518-00005	6	NUT, FLANGE 5	5		

3. HANDLE



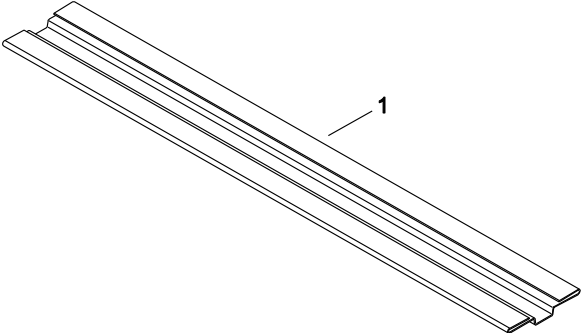
KEY	LV	PART NUMBER	Q'TY	DESCRIPTION	REMARKS	NOTE1	NOTE2
1		C400-001560	1	HANDLE, FRONT			
2		C400-001570	1	HANDLE, FRONT			
3		C453-000630	1	LEVER, THROTTLE			
4		V452-001680	1	SPRING, TORSION			
5		C130-000710	1	HARNES, WIRE	FRONT ON/OFF		
6		V804-000010	4	BOLT, TORX 4	TT-4*16 DG 10.9		
7		V805-000160	2	BOLT, TORX 5	TB-5*20 10.9		
8		X505-008920	1	LABEL, CAUTION			

4. THROTTLE



KEY	LV	PART NUMBER	Q'TY	DESCRIPTION	REMARKS	NOTE1	NOTE2
1		C450-001000	1	CONTROL, THROTTLE			
2		C460-000610	1	LOCKOUT, THROTTLE			
3		V452-001670	1	SPRING, TORSION			
4		G334-001830	1	SWITCH	G33407S0080		
5		A047-000270	1	BOARD, ASM CONTROL			
6		C130-000690	1	HARNESS, WIRE			
7		C130-000700	1	HARNESS, WIRE			

5. ACCESSORIES

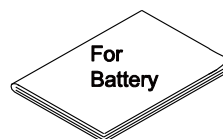
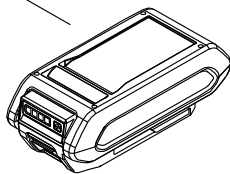


KEY	LV	PART NUMBER	Q'TY	DESCRIPTION	REMARKS	NOTE1	NOTE2
1		X495-000550	1	SCABBARD, BLADE	L703 24IN		

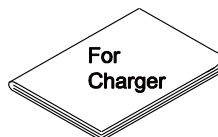
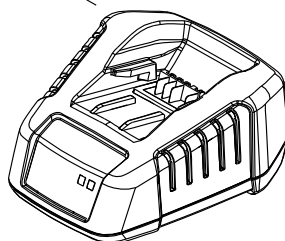


6. BATTERY, BATTERY CHARGER

LBP-560-100



LCJQ-560C



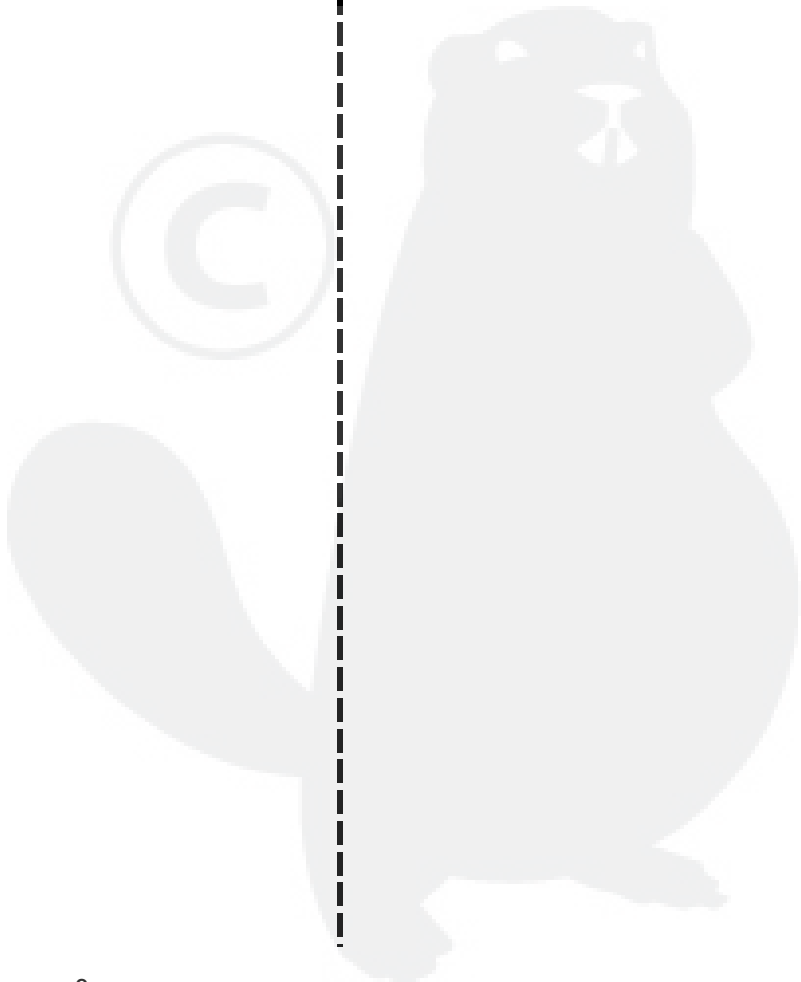
* Batteries and charger are handle as accessories instead of spare parts.
Please place an order of batteries and charger at the same time as unit order.

KEY	LV	PART NUMBER	Q'TY	DESCRIPTION	REMARKS	NOTE1	NOTE2
-----	----	-------------	------	-------------	---------	-------	-------



Index

Patrs Number	Key No.	Patrs Number	Key No.	Patrs Number	Key No.
900518-00005	2 - 12	X505-008920	3 - 8		
92022-05000	2 - 9	X505-008930	1 - 27		
A041-000690	1 - 1	X524-006150	1 - 25		
A047-000270	4 - 5	X524-006160	1 - 26		
A047-000360	1 - 17	X543-004850	1 - 23		
A538-000370	1 - 3	X543-004860	1 - 24		
A538-000380	1 - 4				
A539-000400	1 - 15				
A539-000410	1 - 14				
C130-000690	4 - 6				
C130-000700	4 - 7				
C130-000710	3 - 5				
C400-001560	3 - 1				
C400-001570	3 - 2				
C450-001000	4 - 1				
C453-000630	3 - 3				
C460-000610	4 - 2				
C539-000140	1 - 21				
C542-000060	1 - 12				
E278-000310	2 - 10				
G334-001830	4 - 4				
M102-000810	1 - 2				
P021-045791	1 - 9				
P021-050700	1 - 7				
V187-000080	1 - 8				
V306-000510	1 - 10				
V376-001370	2 - 6				
V452-001670	4 - 3				
V452-001680	3 - 4				
V486-000510	1 - 16				
V541-000200	1 - 11				
V804-000000	1 - 5				
V804-000010	1 - 18				
V804-000010	3 - 6				
V804-000060	1 - 6				
V805-000010	1 - 19				
V805-000140	1 - 13				
V805-000140	1 - 20				
V805-000140	1 - 22				
V805-000140	2 - 7				
V805-000160	2 - 8				
V805-000160	3 - 7				
X041-000580	2 - 1				
X411-001350	2 - 4				
X425-000980	2 - 2				
X425-000990	2 - 3				
X425-001000	2 - 5				
X431-000230	2 - 11				
X495-000550	5 - 1				



YAMABIKO CORPORATION

7-2 SUEHIROCHO 1-CHOME, OHME, TOKYO 198-8760, JAPAN
PHONE: 81-428-32-6118. FAX: 81-428-32-6145.

ECHO[®]



-16H
No. 08-250