

REPAIR PARTS MANUAL
MODEL NO. 254211
Lawn Tractor

CRAFTSMAN®

435116

HOW TO USE THIS MANUAL

This manual is designed to provide the customer with a means to identify the parts on his/her tractor when ordering repair parts. The illustrations may or may not represent the actual assemblies; therefore, it is not recommended to use this manual as a guide to assemble or disassemble the tractor. Some hardware and parts are drawn larger in order to more readily identify them.

Each tractor has its own model number.

The model number for your tractor can be found on the fender under the seat.

When ordering parts, always give the following information:

- Product - "Tractor"
- Model Number - "254211"
- Part Number
- Part Description

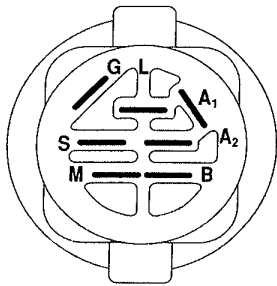
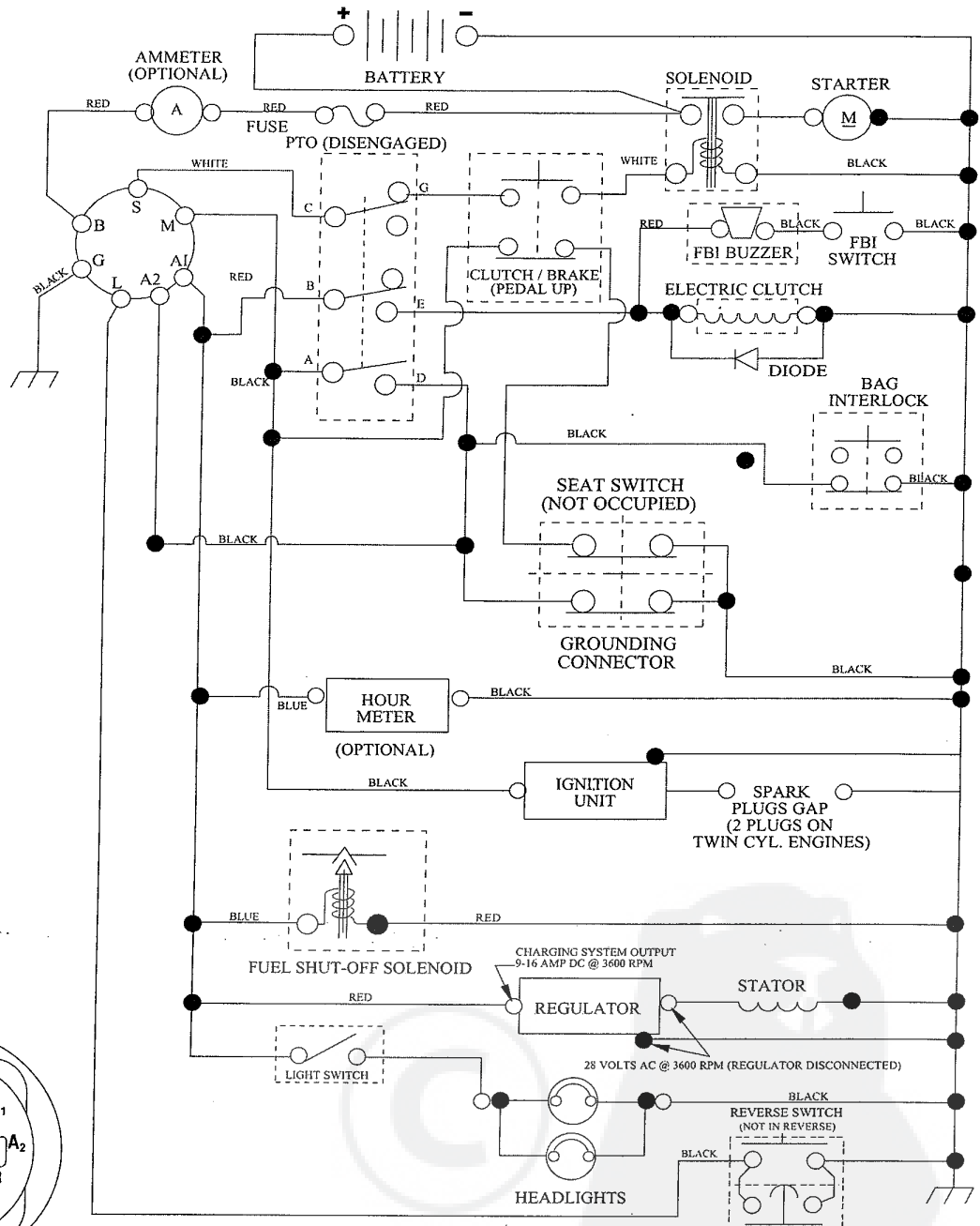
TABLE OF CONTENTS

SCHEMATIC	3
ELECTRICAL.....	4-5
CHASSIS	6-7
DRIVE.....	8-9
ENGINE.....	10-11
STEERING	12-13
DECALS.....	14
SEAT	15
MOWER DECK.....	16-17
MOWER LIFT.....	18
BAGGER.....	19
TRANSAXLE.....	20-21
ENGINE BREAKDOWN.....	22-27
WARRANTY.....	BACK COVER

TRACTOR- -MODEL NO. 917.254211

SCHEMATIC

SCH05



IGNITION SWITCH

POSITION	CIRCUIT	"MAKE"
OFF	M+G+A1	
RUN/OVERRIDE	B+A1	
RUN	B+A1	L+A2
START	B + S + A1	

03048

WIRING INSULATED CLIPS
NOTE: IF WIRING INSULATED CLIPS WERE REMOVED FOR SERVICING OF UNIT, THEY SHOULD BE RE-INSTALLED TO PROPERLY SECURE YOUR WIRING.

PTO SWITCH	
POSITION	CIRCUIT
OFF	C + G, B + H
ON	C + F, B + E, A + D



RELAY



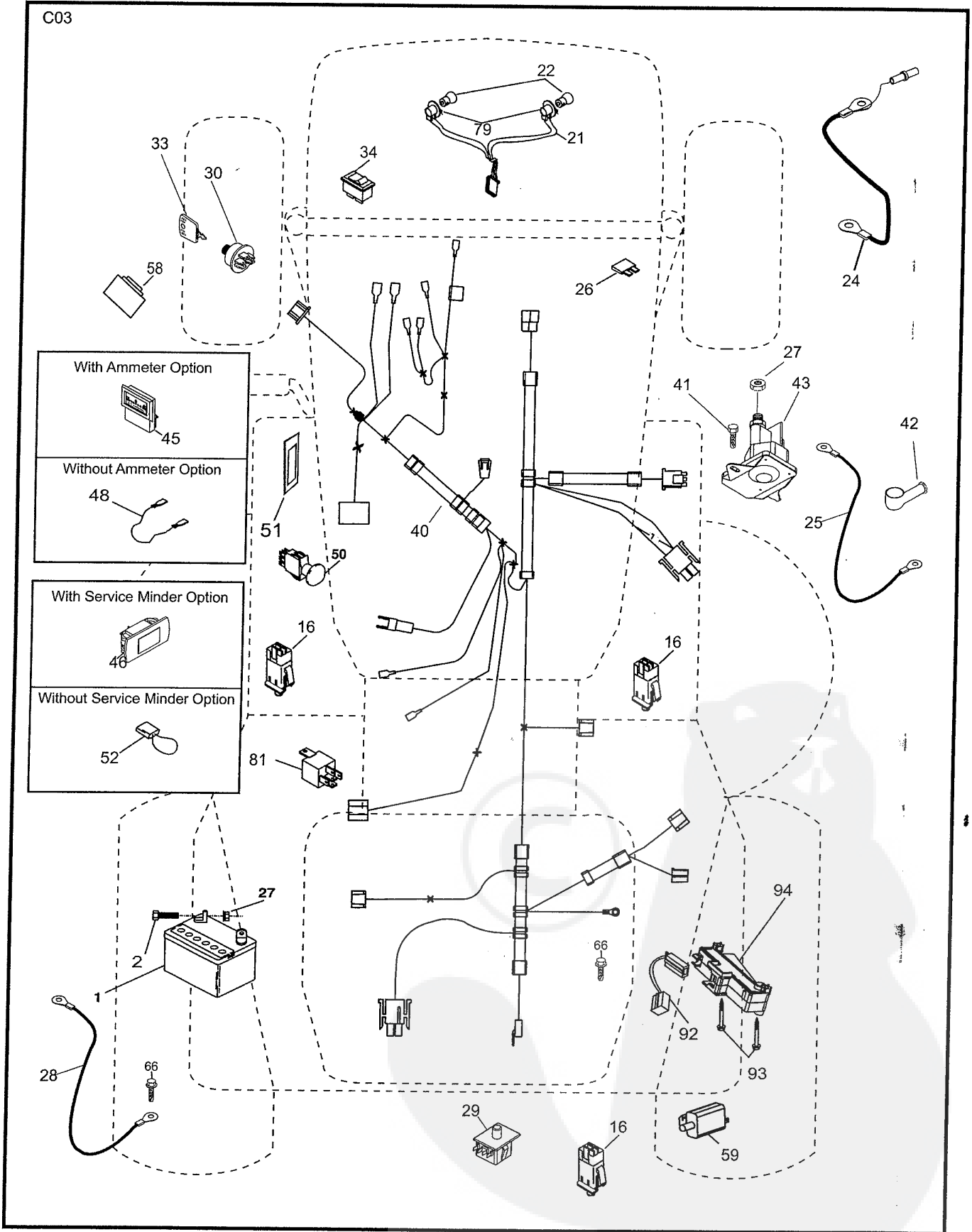
● NON-REMOVABLE CONNECTIONS

○ REMOVABLE CONNECTIONS

TRACTOR- -MODEL NO. 917.254211

ELECTRICAL

C03



ELECTRICAL

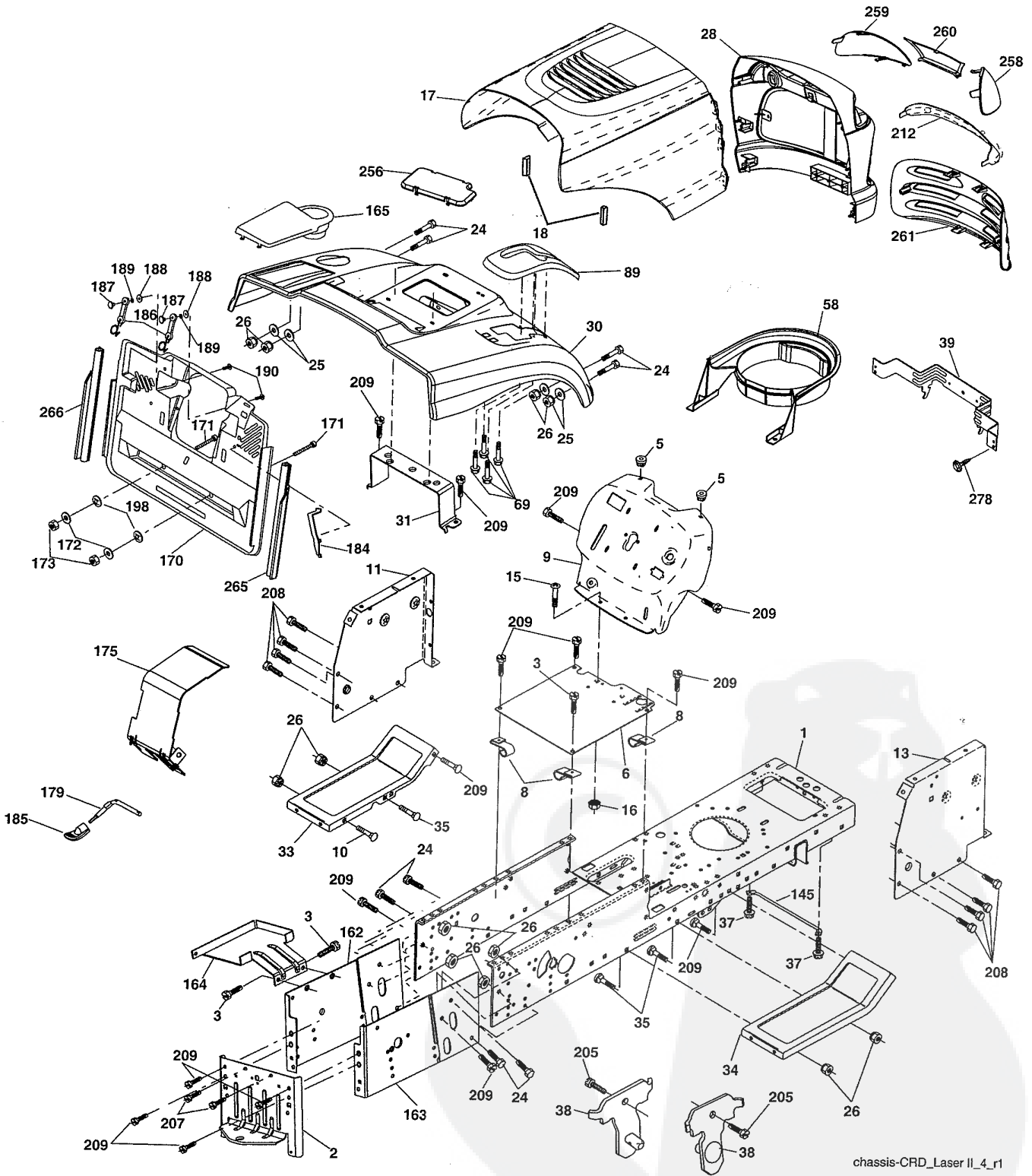
TRACTOR- -MODEL NO. 917.254211

KEY NO.	PART NO.	DESCRIPTION
1	163465	Battery
2	74760412	Bolt Hex Hd 1/4-20 unc x 3/4
16	176138	Switch Interlock
21	183759	Harness Asm Light W/4152J
22	4152J	Bulb Light #1156
24	165987	Cable Battery Crd 56" Red
25	421299	Cable Starter 6 Ga. 11" Red
26	175158	Fuse
27	73510400	Nut Keps Hex 1/4-20 unc
28	127725X	Cable Ground 6 Ga. 18" Black
29	192749	Switch Seat
30	193350	Switch Ignition
33	411934	Key/Chain
34	110712X	Switch Light
40	197434	Harness Ign
41	71110408	Bolt Flk Fin Hex 1/4-20 unc x 1/2
42	131563	Cover Terminal Red
43	192507	Solenoid
45	122822X	Ammeter
50	174651	Switch PTO
51	140405	Ring Retainer PTO
52	141940	Protection Wire Loop
58	169419	Buzzer Crd
59	180379	Switch FBI CRD
66	17490608	Screw Thdrol 3/8-16 x 1/2 Ty-Tt
79	175242	Socket Asm Bulb Twistlock
81	109748X	Relay Asm
92	196615	Harness Pigtail consle ROS
93	192540	Screw Plastite 10-14 x 2.0
94	191834	Module Reverse ROS

NOTE: All component dimensions given in U.S. inches.
1 inch = 25.4 mm.

TRACTOR- -MODEL NO. 917.254211

CHASSIS AND ENCLOSURES

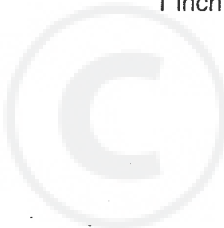


TRACTOR- -MODEL NO. 917.254211

CHASSIS AND ENCLOSURES

KEY NO.	PART NO.	DESCRIPTION	KEY NO.	PART NO.	DESCRIPTION
1	174620	Chassis	165	179020X428	Cover Battery CRD
2	180384	Drawbar	170	199488	Backplate CRD
3	17060612	Screw 3/8-16 x .75	171	72140620	Bolt Rdhd Sqnk 3/8-16 x 2-1/2 G5
5	155272	Bumper Hood/Dash	172	19132016	Washer 13/32 x 1-1/4 x 16 Ga.
6	184419	Saddle	173	73510600	Nut, Keps Hex 3/8-16 unc
8	126471X	Clip Insulator 13/32 Mtg. Hole	175	188203	Trap Door CRD
9	193524X010	Dash	179	188202	Rod Pivot FBI CRD
10	72140608	Bolt, Carriage 3/8-16 x 3/4	184	174662	Bracket Actuator Bagger CRD
11	174996	Panel, Dash, L.H.	185	179608X505	Knob Rod
13	172105X010	Panel, Asm. Dash R.H.	186	160793	Latch Asm Multch Bagger
15	74180512	Screw, Machine, Truss Head 5/16-18 unc x 3/4	187	2029J	Nut Weld .327/.304 #10-24
16	73510500	Nut	188	19061216	Washer #10
17	185682X615	Hood Assembly	189	10071000	Washer Lock #10
18	184921	Bumper Hood	190	71081010	Screw Pan Hd Phillips 10-24 x 5/8
24	74780616	Bolt	198	168937	Nut Push
25	19131312	Washer 13/32 x 13/16 x 12 Ga.	205	17490608	Screw 3/8-16 x 1/2
26	73800600	Nut	207	17670508	Screw 5/16-18 x 1/2
28	189207X615	Grille	208	17670608	Screw Thdrol 3/8-16 x 1/2
30	192533X615	Fender	209	17000612	Screw Hex Wsh Thdrol 3/8-16 x 3/4
31	165156	Bracket, Fender Support	212	184248	Insert Lens Reflective
33	179716X615	Footrest, L.H.	256	180810X428	Cover Fender Rack CRD
34	179717X615	Footrest, R.H.	258	184245X599	Lens RH
35	72110606	Bolt	259	184246X599	Lens LH
37	17490508	Screw Thdrol 5/16-18 x 1/2 TYT	260	184250X418	Cover Lens
38	181748	Bracket Asm Pivot Mower Rear	261	189211X418	Insert Grille
39	407807	Bracket Pivot	265	185704	Seal, Side RH
58	184461	Duct Intake Air	266	185703	Seal, Side LH
69	142432	Screw Hex 1/4-1/2	278	416358	Screw #10 x 0.750 BOS Thread
89	192391X428	Console	--	5479J	Plug Button
145	409167	Rod Pivot Chassis/Hood			
162	180382	Bracket Exten Chassis Lh CRD			
163	180383	Bracket Exten Chassis Rh CRD			
164	165605	Support Battery CRD			

NOTE: All component dimensions given in U.S. inches.
1 inch = 25.4 mm.



TRACTOR- -MODEL NO. 917.254211

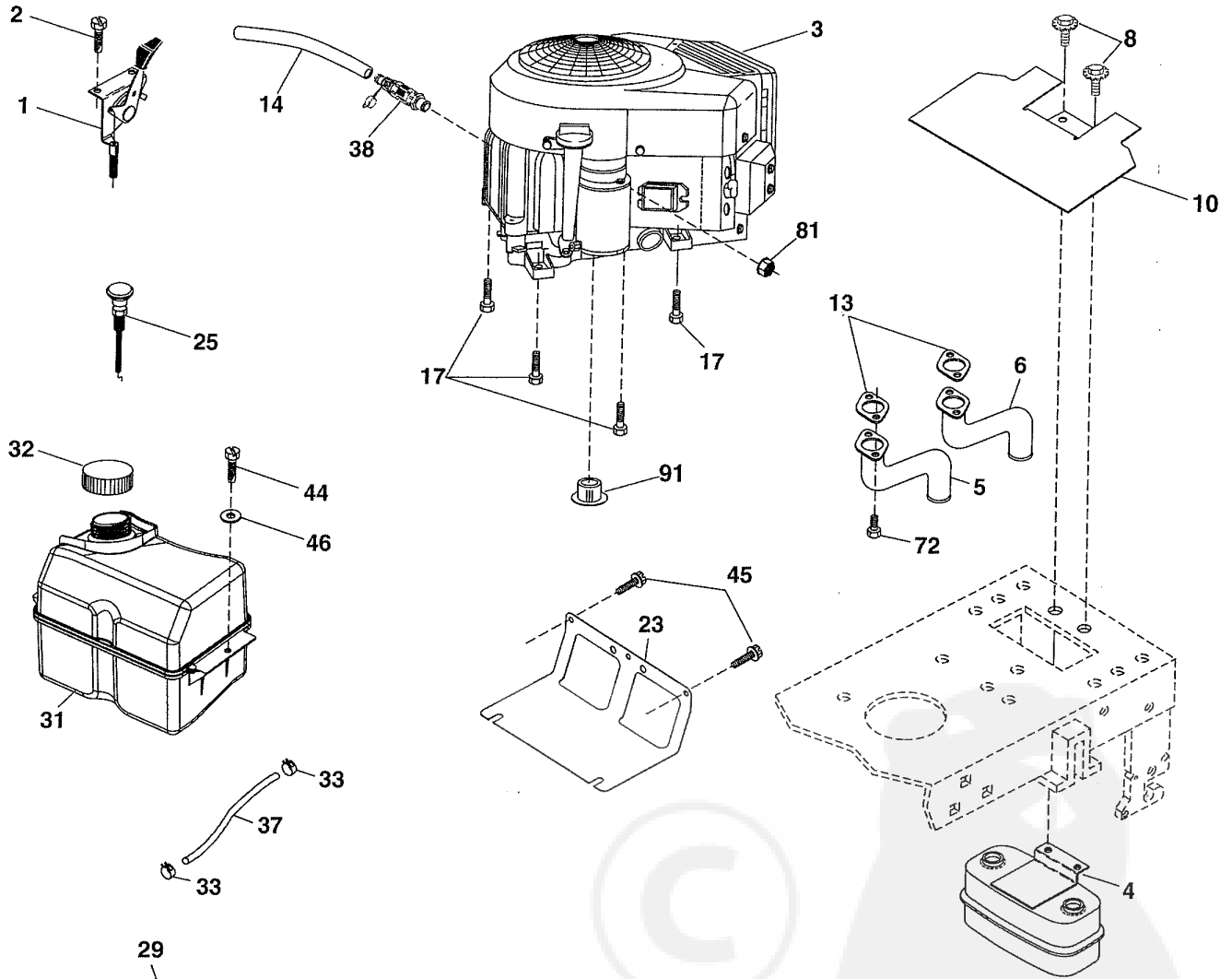
DRIVE

KEY NO.	PART NO.	DESCRIPTION	KEY NO.	PART NO.	DESCRIPTION
1	-----	Transaxle Hydro Gear 321-0510 (See Breakdown))	95	170015	Control Asm Bypass Hydro
8	192706	Rod, Shift Fender Adjust Lt	96	4497H	Spring, Retainer 1"
9	198143	Clutch	112	19091210	Washer 9/32 x 3/4 x 10 Ga.
10	76020416	Pin, Cotter 1/8 x 1	120	73900600	Nut Lock Flg. 3/8-16 unc
14	10040400	Washer, Lock Hvy Helical	150	165850	Bushing, Bellcrank Ground Drive
15	74490544	Bolt Hex FGHD 5/16-18 x Gr. 5	151	19133210	Washer 13/32 x 2 x 10 Ga.
16	73800500	Nut, Lock Hex w/Ins 5/16-18 unc	156	166002	Washer. Srrted 5/16 ID x 1.125
17	126197X	Washer 1-1/2 OD x 15/32 ID x .250	158	165589	Bracket Shift Mount
19	73800600	Nut, Lock Hex w/Ins. 3/8-16	159	183900	Hub Shift
20	173937	Bolt Hex 7/16-20 x 4 x Gr.5-1.5 THR	161	72140406	Bolt Rdhd Sqnk 1/4-20 x 3/4 Gr 5
21	130564	Knob	162	73680400	Nut Crownlock 1/4-20 unc
22	175607	Rod, Brake	163	74780416	Bolt Hex Fin 1/4-20 unc x 1 Gr 5
24	73350600	Nut	165	165623	Bracket Pivot Lever
25	192036	Spring, Rod, Brake	166	17490510	Screw 5/16-18 x 5/8
27	76020412	Pin, Cotter 1/8 x 3/4	167	165588	Bracket Support Shift CRD
28	175765	Rod, Parking Brake	168	165492	Bolt Shoulder 5/16-18 x .561
29	71673	Cap, Parking Brake	169	165580	Plate Fastening Lt
30	169592	Bracket, Mfg. Transaxle	171	17490608	Screw Thdrol 3/8-16 x 1/2 Ty-Tt
34	175578	Shaft, Asm Pedal Foot CRD	172	170271	Shaft Asm Shifter Frt CRD
35	120183X	Bearing, Nylon	177	165932	Keeper Flat Idler 3.06" CRD
36	19211616	Washer 21/32 x 1 x 16 Ga.	181	180211	Bracket Idler Ground Drive CRD
37	1572H	Pin, Roll 3/16 x 1"	182	182682	Keeper Belt 2.5" Od V-Idler CRD
38	165936	Pulley Flat Composite 3.06"	183	199534	Pulley V-Idler 2.50" Od CRD
39	74760644	Bolt Fin Hex 3/8-16 unc x 2-3/4	185	170008	Link Shift
40	4470J	Spacer, Split 395 x 59 Bzp	186	165614	Hub Tapered Round CRD
42	19131312	Washer 13/32 x 13/16 x 12 Ga.	187	17580520	Screw Thdrol 5/16-18 x 1.25
43	19111012	Washer 11/32 x 5/8 x 12 Ga.	197	169613	Nyliner Snap-In 5/8
47	127783	Pulley, Idler, V Groove Plastic	199	169612	Bolt Shoulder 5/16-18 unc
48	154407	Bellcrank Clutch Grnd Drv	200	72140508	Bolt RDHD SQNK 5/16-18 x 1
49	123205X	Retainer, Belt Style Spring	207	169845	Washer Nylon Rear
50	72110612	Bolt, Carr. 3/8-16 x 1/2 x Gr. 5	214	175609	Shaft Asm. Brake
51	73680600	Nut, Crownlock 3/8-16 unc	215	175652	Rod Brake Hydro
52	73680500	Nut Crownlock 5/16-18	243	190736	Bracket Anti-Rotation
53	199652	Link, Clutch 7.66	252	19131616	Washer 13/32 x 1 x 16 Ga.
55	105709X	Spring, Return, Clutch	254	17000616	Screw 3/8-16 x 1
56	17060620	Screw 3/8-16 x 1-1/4	255	175608	Brace Shaft Brake Mtg.
57	170140	V-Belt Kev 112" 0650 CRD	258	178062	Clip Retainer
62	8883R	Cover, Pedal	259	180212	Bracket Pulley
63	180397	Pulley Engine	260	431172	Bracket Idler Chassis
65	10040700	Washer	261	131494	Pulley Idler Flat
66	154778	Keeper, Belt Engine F-Proof	262	72110622	Bolt RDHD 3/8-16 unc x 2-3/4 Gr.5
71	169183	Strap, Torque, LH	263	17000612	Screw 3/8-16 x 3/4
73	169182	Strap, Torque, RH	266	182061	Shield, Idler
74	137057	Spacer, Split	279	72110616	Bolt RDHD SQNK 3/8-16 unc x 2
75	121749X	Washer 25/32 x 1-1/4 x 16 Ga.	292	400271	Spacer NORAM
76	12000001	Ring, E	295	179114	Pulley Idler Composite
77	123583X	Key, Square	297	17490610	Screw 3/8-16 x 5/8
78	121748X	Washer 25/32 x 1-5/8 x 16 Ga.			
81	170006	Asm, Shaft			
82	165711	Spring, Torsion			
83	19171216	Washer 17/32 x 3/4 x 16 Ga.			
84	170007	Link, Transaxle			

NOTE: All component dimensions given in U.S. inches
1 inch = 25.4 mm

TRACTOR- -MODEL NO. 917.254211

ENGINE



OPTIONAL EQUIPMENT
Spark Arrester

Engine-CRD_bs-2cyl_7

TRACTOR- -MODEL NO. 917.254211

ENGINE

KEY NO.	PART NO.	DESCRIPTION
1	170546	Control Throttle
2	17720408	Screw Hex Thd Cut 1/4-20 x 1/2
3	-----	Engine B&S Model 445677-1262-B1(See Breakdown)
4	149723	Muffler
5	159955	Exhaust Tube LH
6	160589	Exhaust Tube RH
8	171877	Bolt 5/16-18 UNC X 3/4 w/Sems
10	434017	Shield Browning
13	165391	Gasket Muffler
14	148456	Tube Drain Oil Easy
17	17060620	Screw 3/8-16 x 1-1/4
23	169837	Shield BRN/DBR
25	187765X428	Control Choke
29	137180	Arrestor Spark
31	407551	Tank Fuel
32	430220	Cap Fuel
33	123487X	Clamp Hose Blk
37	137040	Line Fuel
38	428287	Valve Drain Oil
44	17670412	Screw Hexwsh Thdrol 1/4-20 x 3/4
45	17000612	Screw 3/8-16 x 3/4
46	19091416	Washer 9/32 x 7/8 x 16 Ga.
72	183906	Screw socket Head 5/16-18 x 1
81	73510400	Nut Keps 1/4-20 unc
91	187495	Bushing 1.375 OD

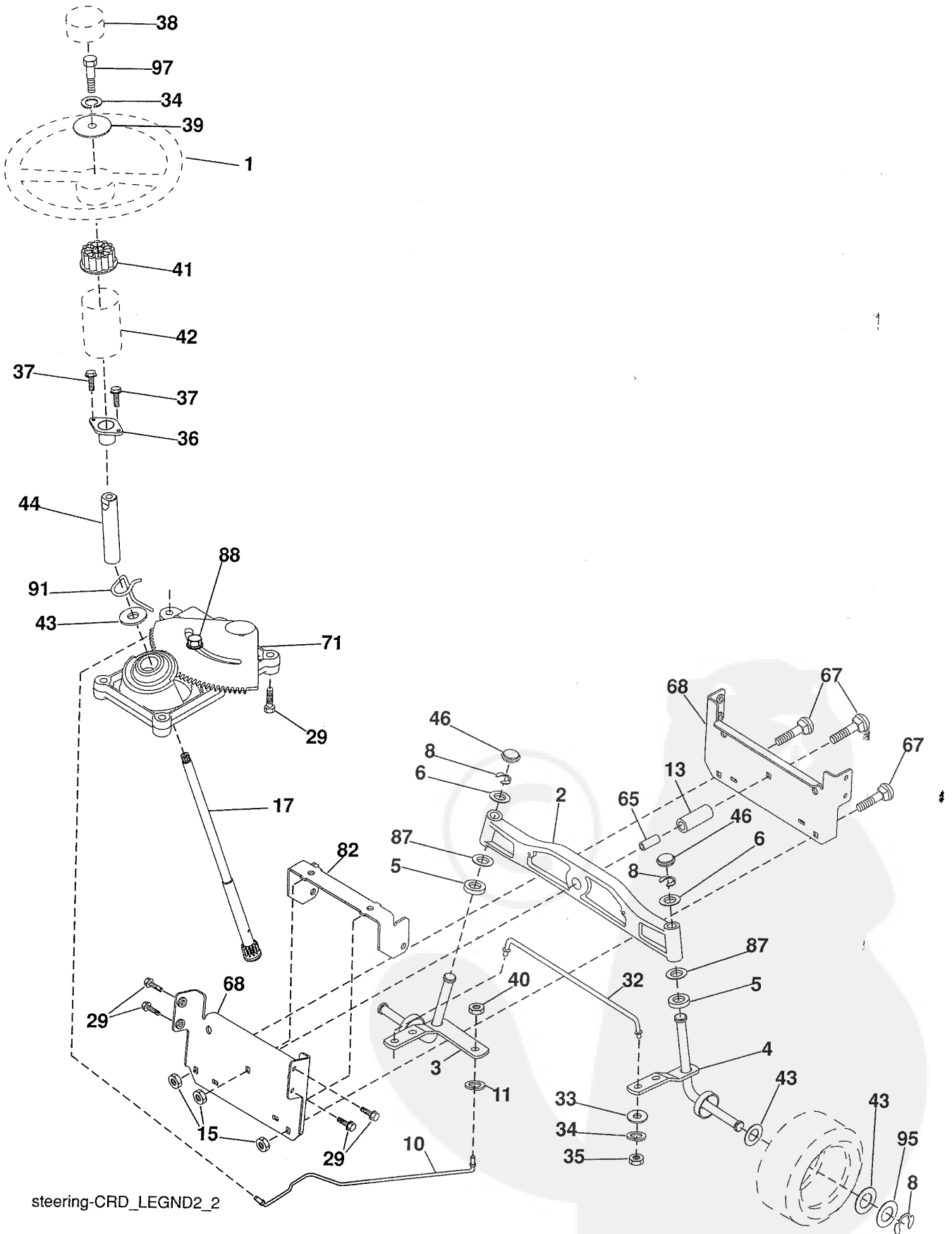
NOTE: All component dimensions given in U.S. inches
1 inch = 25.4 mm

Engine Power Rating Information

The gross power rating for individual gas engine models is labeled in accordance with SAE (Society of Automotive Engineers) code J1940 (Small Engine Power & Torque Rating Procedure), and rating performance has been obtained and corrected in accordance with SAE J1995 (Revision 2002-05). Torque values are derived at 3060 RPM; horsepower values are derived at 3600 RPM. Actual gross engine power will be lower and is affected by, among other things, ambient operating conditions and engine-to-engine variability. Given both the wide array of products on which engines are placed and the variety of environmental issues applicable to operating the equipment, the gas engine will not develop the rated gross power when used in a given piece of power equipment (actual "on-site" or net power). This difference is due to a variety of factors including, but not limited to, accessories (air cleaner, exhaust, charging, cooling, carburetor, fuel pump, etc.), application limitations, ambient operating conditions (temperature, humidity, altitude), and engine-to-engine variability. Due to manufacturing and capacity limitations, Briggs & Stratton may substitute an engine of higher rated power for this Series engine.

TRACTOR - -MODEL NO. 917.254211

STEERING ASSEMBLY



steering-CRD_LEGND2_2

STEERING ASSEMBLY

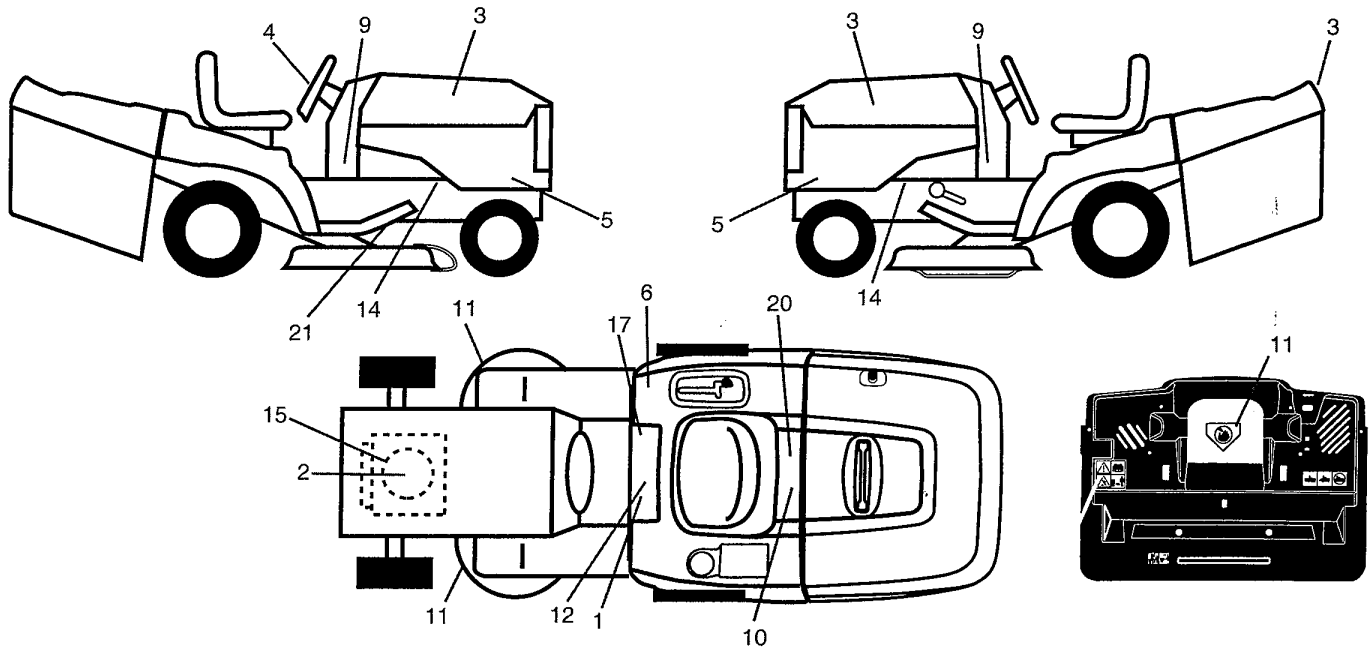
TRACTOR- -MODEL NO. 917.254211

KEY NO.	PART NO.	DESCRIPTION
1	414851X428	Steering Wheel
2	184706	Axle Assembly
3	169840	Spindle Assembly, L.H.
4	169839	Spindle Assembly, R.H.
5	6266H	Bearing, Race, Thrust, Hardened
6	121748X	Washer 25/32 x 1-5/8 x 16 Ga.
8	12000029	Ring, Klip
10	175121	Link, Drag
11	10040600	Washer, Lock
13	136518	Spacer Brg Axle Front
15	73900600	Nut, Flange Lock
17	190753	Shaft, Steering
29	17000612	Screw, 3/8-16 x 3/4
32	171888	Rod, Tie
33	19111216	Washer 11/32 x 3/4 x 16 Ga.
34	10040500	Washer Lock Hvy Hlcl Spr 5/16
35	73540500	Nut Crownlock 5/16-24 unf
36	155099	Bushing, Steering
37	152927	Screw TT #10-32 x 5 x 3/8 Flange
38	414852X428	Cap Wheel Steer
39	19113812	Washer 11/32 x 2 3/8 x 12 Ga.
40	73540600	Nut 3/8-24 unf
41	186737	Adaptor, Steering Wheel
42	145054X428	Boot, Steering Dash P/L Mtl
43	121749X	Washer 25/32 x 1-1/4 x 16 Ga.
44	190752	Extension Steering
46	184946X505	Cap, Spindle
65	414736	Spacer Brace Axle
67	72110618	Bolt Rdhd Sq 3/8-16 unc x 2-1/4
71	175146	Steering Asm.
68	169827	Brace Axle
82	199978	Bracket Susp Chassis Front
87	173966	Washer Flat .781 x 1-1/2 x .14
88	175118	Bolt Shoulder 7/16-20 unc
91	175553	Clip Steering
95	188967	Washer Hardened
97	428982	Bolt 5/16-18 x 4

NOTE: All component dimensions given in U.S. inches.
1 inch = 25.4 mm.

TRACTOR- -MODEL NO. 917.254211

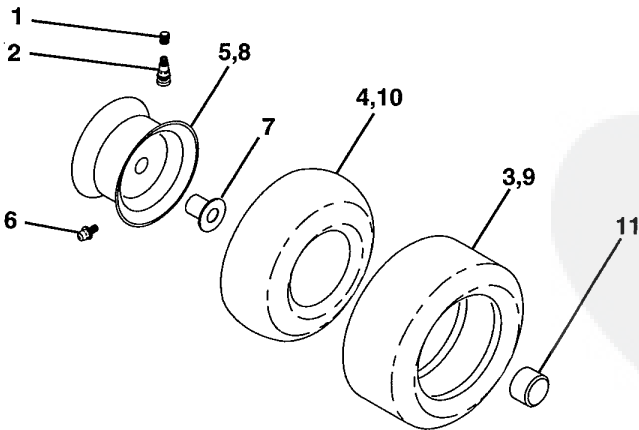
DECALS



KEY NO.	PART NO.	DESCRIPTION
1	400389	Decal, Warning Syms. CE
2	420133	Decal, Hp Engine
3	425123	Decal, Hood RH/LH
4	422885	Decal, Steering Wheel
5	403415	Decal, Hood Side
6	180432	Decal, 100 DBA/CE
9	425787	Decal, Dash Lower
10	145005	Decal, Bat Dan/Poi P/L Sym Wpn
11	182166	Decal, Mower Cut Finger Symbol
12	159737	Decal, Brake/Clutch Symbol Lt
14	159736	Decal, Chassis Hot Muffler
15	196841	Decal, Warning Eng. Symbols

KEY NO.	PART NO.	DESCRIPTION
17	140837	Decal, Saddle Brake Parking
20	166960	Decal, Bypass Fender CRD
21	166286	Decal, Hex Belt Sch
--	138311	Decal, Lift Handle
--	179769X428	Pad Footrest RH
--	179768X428	Pad Footrest LH
--	425112	Manual, Operator's (Euro)
--	425113	Manual, Operator's (Scan)
--	425114	Manual, Operator's (Ebloc)
--	425115	Manual, Operator's (Baltic)
--	425116	Manual Parts

WHEELS & TIRES

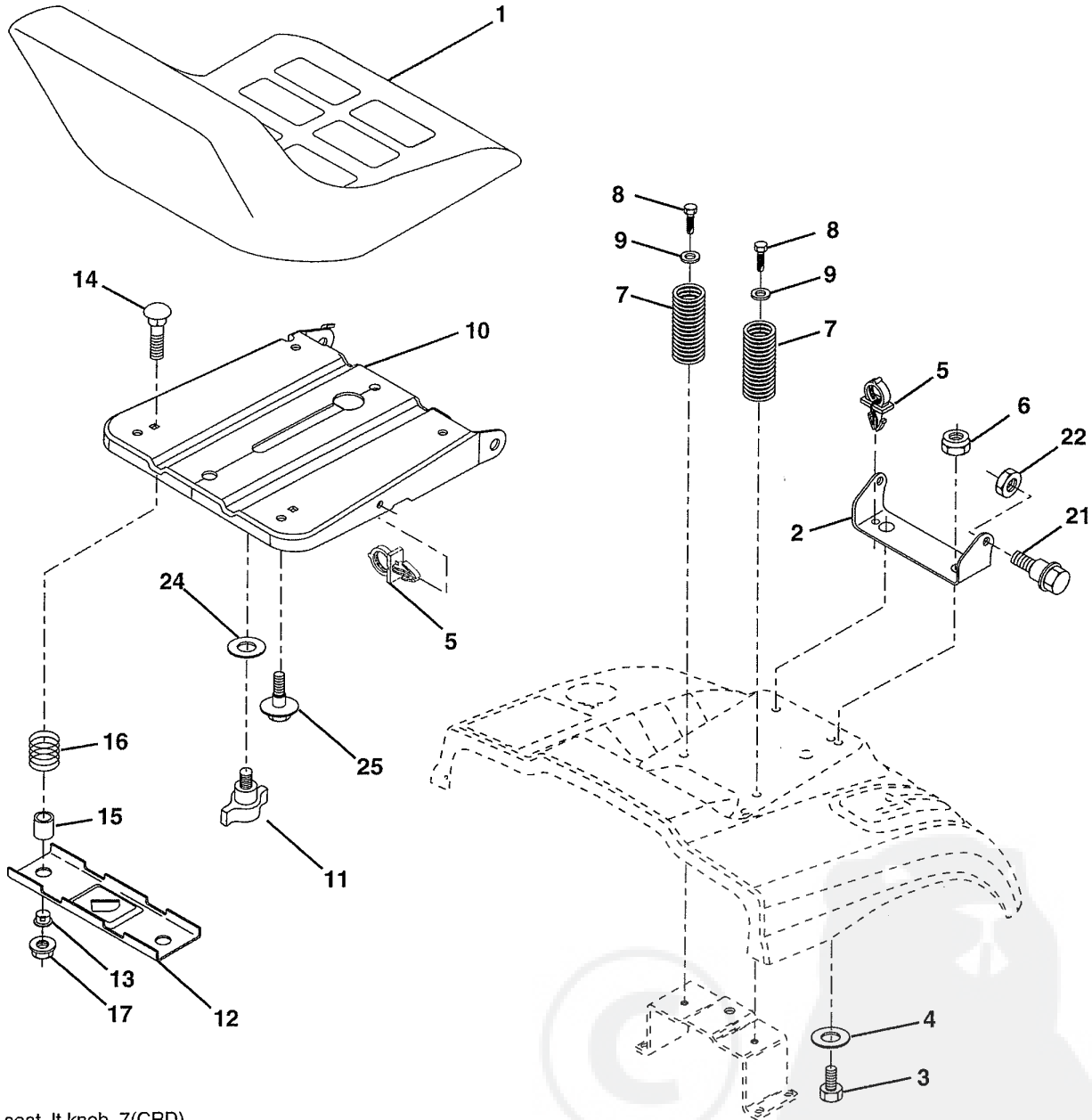


KEY NO.	PART NO.	DESCRIPTION
1	59192	Cap Valve Tire
2	65139	Stem Valve
3	106222X	Tire F Ts 15 x 6 0 - 6 Service
4	59904	Tube Inner Front #35060
5	106732X613	Rim Asm 6" front Service
6	278H	Fitting Grease
7	9040H	Bearing Flange
8	106108X613	Rim Asm 8" rear Service
9	138468	Tire R Ts 20 x 8-8 Service
10	7152J	Tube Rear 9 5 x 8 Service
11	104757X428	Cap Axle Blk 1 50 x 1 00
--	144334	Sealant, Tire (10 oz. tube)

NOTE: All component dimensions given in U.S. inches
1 inch = 25.4 mm

TRACTOR- -MODEL NO. 917.254211

SEAT ASSEMBLY



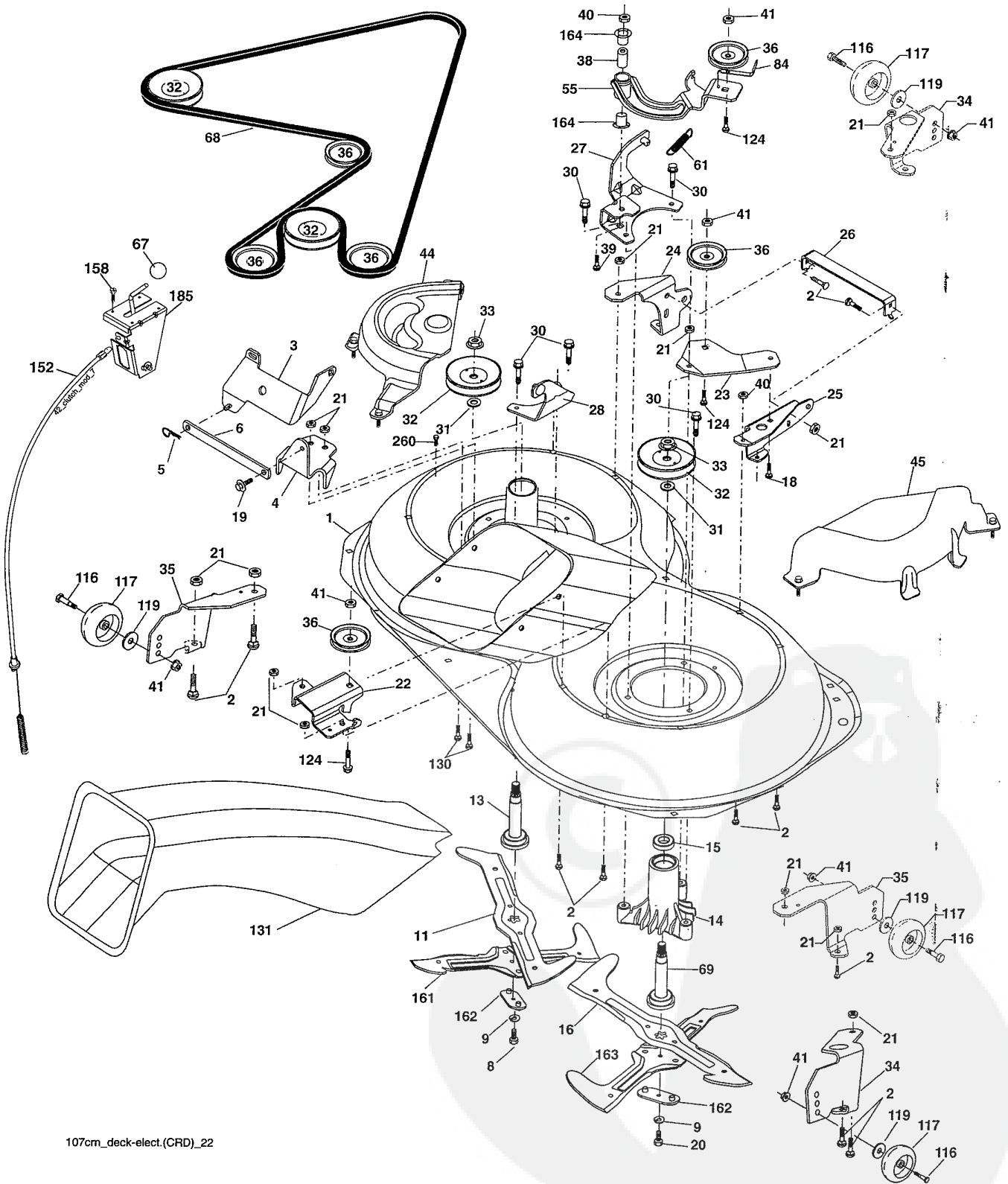
seat_lt.knob_7(CRD)

KEY NO.	PART NO.	DESCRIPTION	KEY NO.	PART NO.	DESCRIPTION
1	188714	Seat	13	121248X	Bushing Snap Blk Nyl 50 Id
2	140551	Bracket Pnt Pivot Seat (blk)	14	72050412	Bolt Rdhd Sht Nk 1/4-20 x 1-1/2
3	71110616	Bolt Fin Hex 3/8-16 unc x 1	15	121249X	Spacer Split
4	19131610	Washer Flat 13/32 x 1 x 10 Ga.	16	123740X	Spring Cprsn
5	145006	Clip Push In Hinged	17	123976X	Nut Lock 1/4 Lge Flg Gr. 5 Zinc
6	73800600	Nut Lock Hex 3/8-16 unc	21	171852	Bolt Shoulder 5/16-18 unc-2A
7	124181X	Spring Seat Cprsn 2 250 Blk Zi	22	73800500	Nut Hex Lock w/Ins 5/16-18
8	17000616	Screw 3/8-16 x 1-1/2	24	19171912	Washer 17/32 x 1-3/16 x 12 Ga.
9	19131614	Washer 13/32 x 1 x 14 Ga.	25	127018X	Bolt Shoulder 5/16-18 x .62
10	195530	Pan Pnt Seat (blk)			
11	166369	Knob Seat Adj Wingnut			
12	174648	Bracket Pnt Mounting Switch			

NOTE: All component dimensions given in U.S. inches.
1 inch = 25.4 mm

TRACTOR- -MODEL NO. 917.254211

MOWER



107cm_deck-elect.(CRD)_22

TRACTOR- -MODEL NO. 917.254211

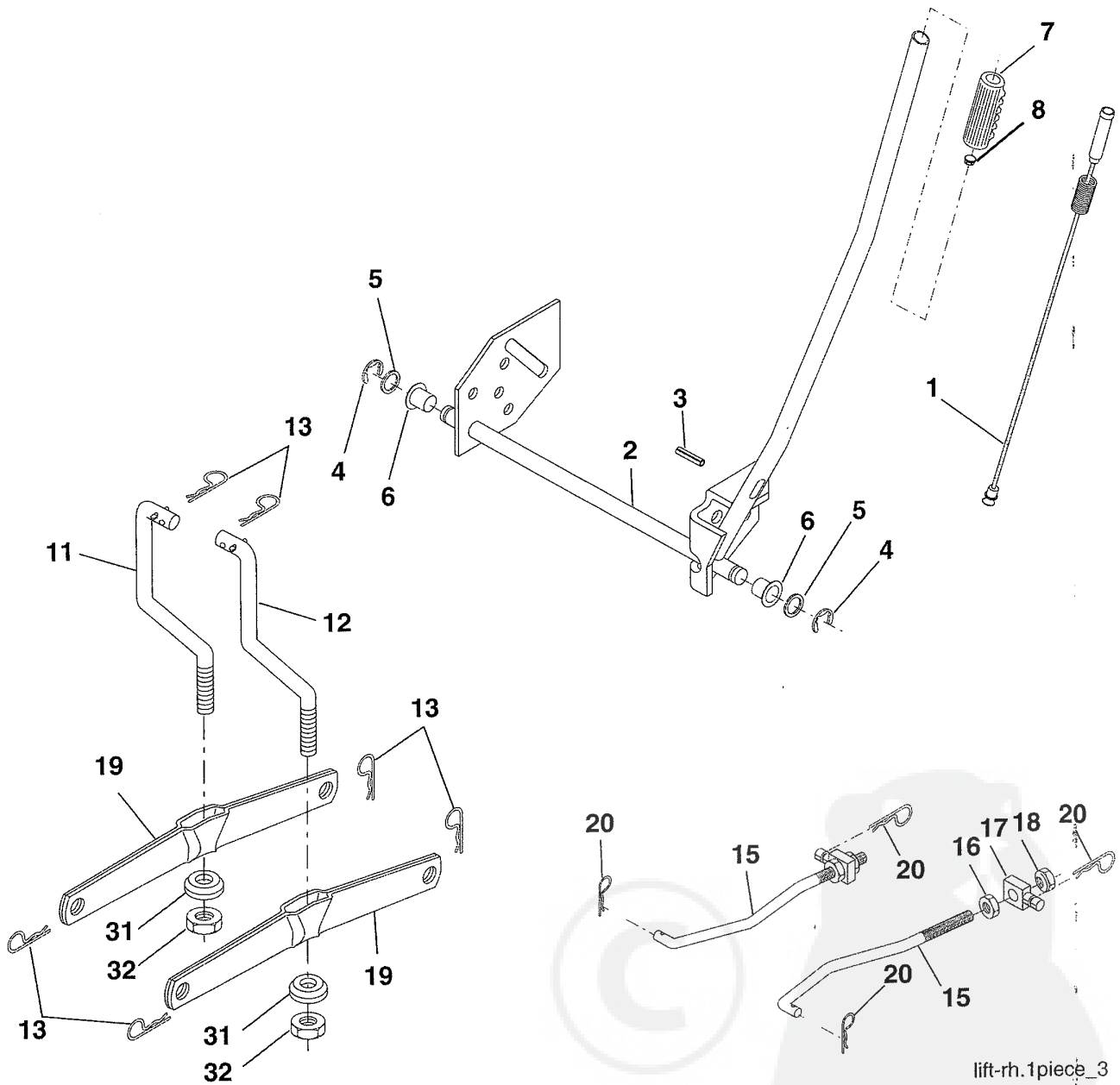
MOWER

KEY NO.	PART NO.	DESCRIPTION	KEY NO.	PART NO.	DESCRIPTION
1	169160	Housing Asm. Mower	41	73900600	Nut 3/8-16
2	72140506	Bolt Rdhd Sqnk 5/16-18 unc x 3/4	44	432773	Cover Mandrel LH
3	431864	Bracket Asm. S-Bar Chass	45	432772	Cover Mandrel RH
4	169167	Bracket Bar Sway Deck	55	169849	Arm Idler 107 CRD
5	4939M	Retainer Spring	61	199487	Spring Tension Belt
6	165557	Bar Sway	68	402009	Belt
8	181712	Bolt 3/8-24 x 1.25 Gr. 8 Ptch LHthd	69	165482	Shaft Asm W/Lwr Brg Rh Thd CRD
9	10030600	Washer Lock Hvy 3/8 Unplated	84	156085	Keeper Belt Idler
11	180583	Blade 3-1 LH	116	193406	Bolt Shoulder
13	137645	Shaft Asm. W/Lower Bearing	117	174873	Wheel Gauge
14	128774	Housing Mandrel Vented (Machd)	119	19132012	Washer 13/32 x 1-1/4 x 12
15	110485X	Bearing Ball Mandrel	124	72110612	Bolt Carr Sh 3/8-16 x 1-1/2 Gr. 5
16	180584	Blade 3-1 RH	130	72110506	Bolt Rdhdsqnk 5/16-18 unc x 3/4
18	72110606	Bolt Rdhd Sht Sqnk 3/8-16 x 3/4	131	165661	Chute Bagger CRD 92cm
19	132827	Bolt Shoulder 5/16-18 Thd Form	161	180424	Blade Cross LH
20	181713	Bolt 3/8-24 x 1.25 Gr. 8 Patched	162	180878	Adapter Weldment Blade
21	73680500	Nut Crown Lock 5/16-18	163	180425	Blade Cross RH
22	169165	Bracket Idler RR	164	3366R	Bearing Col. Strg.
23	169166	Bracket Idler RF	260	17670608	Screw Thdrol 3/8-16 x 1/2
24	413436	Bracket Suspension LH	--	181857	Mandrel Assembly (Includes hous- ing, shaft assembly, and bearing only - pulley/nut/washer and blade bolt/washers not included)
25	400105	Bracket Suspension RF	--	181858	Mandrel Asm CRD Lh Threads SVC
26	400110	Brace Support Susp Frt CRD	--	435194	Deck Mower Complete (Order sepa- rately gauge wheel components key nos. 116-119)
27	169172	Bracket Asm. Susp RR			
28	169168	Bracket Asm. Susp LR			
30	173984	Screw Thd Rolling			
31	187690	Washer Spacer			
32	198145	Mandrel Pulleys			
33	400234	Nut Flg Top Lock			
34	400103	Bracket Gauge Wheel LF			
35	400104	Bracket Gauge Wheel RF			
36	146763	Pulley Idler V-Groove Dim 4.25			
38	169851	Spacer Hub Arm Idler 107 CRD			
39	72110622	Bolt Rdhd 3/8-16 unc x 2-3/4 Gr. 5			
40	73680600	Nut Crownlock 3/8-16 unc			

NOTE: All component dimensions given in U.S. inches
1 inch = 25.4 mm

TRACTOR- -MODEL NO. 917.254211

MOWER LIFT



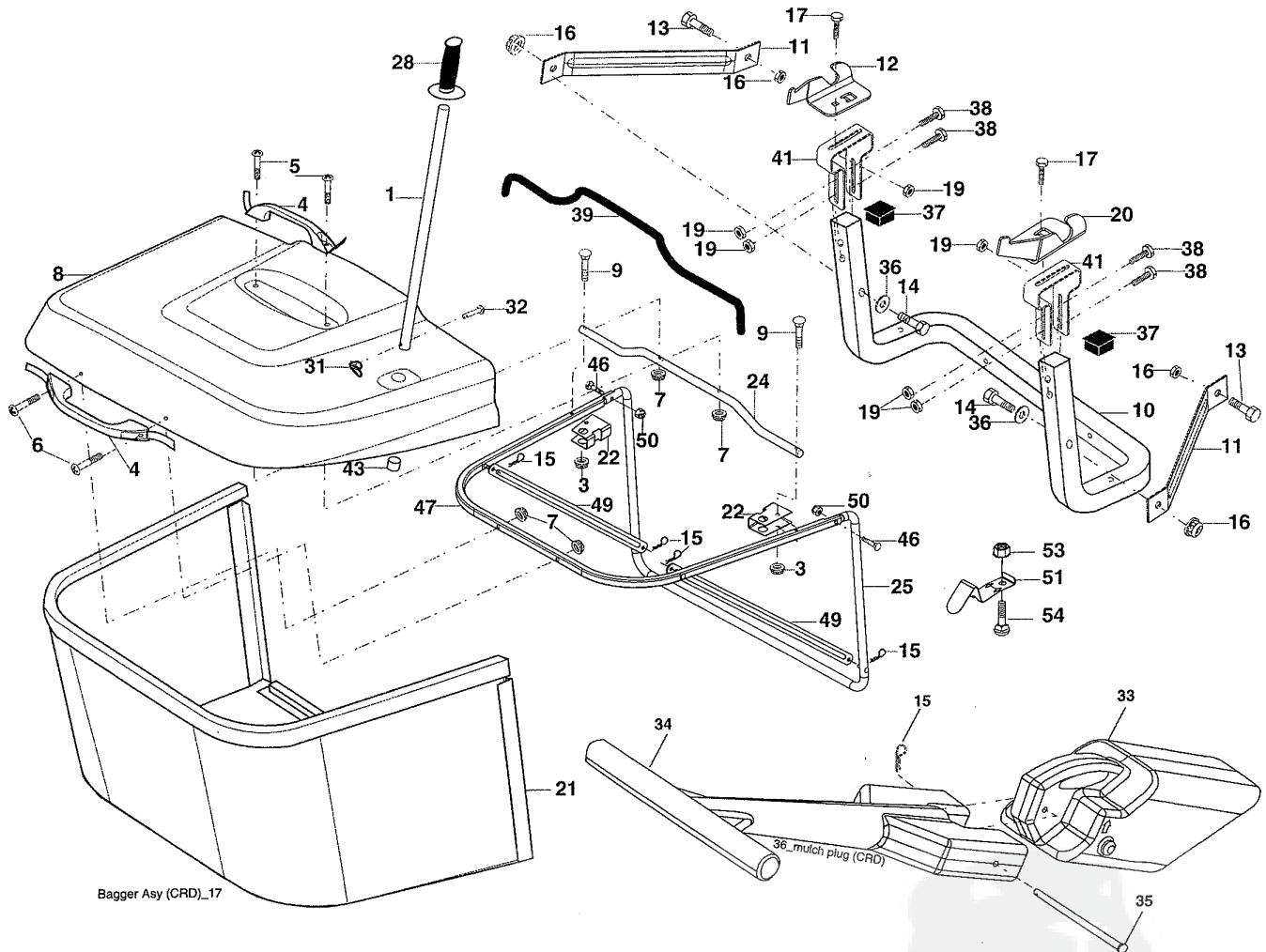
KEY NO.	PART NO.	DESCRIPTION
1	404981	Plunger Asm. Lift Lever
2	159471	Shaft Asm. Lift
3	105767X	Pin Groove
4	12000002	E Ring #5133-62
5	19211621	Washer 21/32 x 1 x 21 Ga.
6	120183X	Bearing Nylon
7	125631X	Grip Handle Fluted
8	122365X	Button Plunger Red
11	165829	Link Asm Lift L.H.
12	165831	Link Asm Lift R.H.
13	4939M	Retainer Spring

KEY NO.	PART NO.	DESCRIPTION
15	173288	Link Front
16	73350800	Nut Jam Hex 1/2-13 unc
17	175689	Trunnion Blk Zinc
18	73800800	Nut Lock w/wsh 1/2-13 unc
19	139868	Arm Suspension Mower
20	194209	Pin Cotter 7/16 Bowtie Lock
31	169865	Bearing, Pvt. Lift.
32	73540600	Nut Crownlock 3/8-24

NOTE: All component dimensions given in U.S. inches
1 inch = 25.4 mm

TRACTOR- -MODEL NO. 917.254211

BAGGER

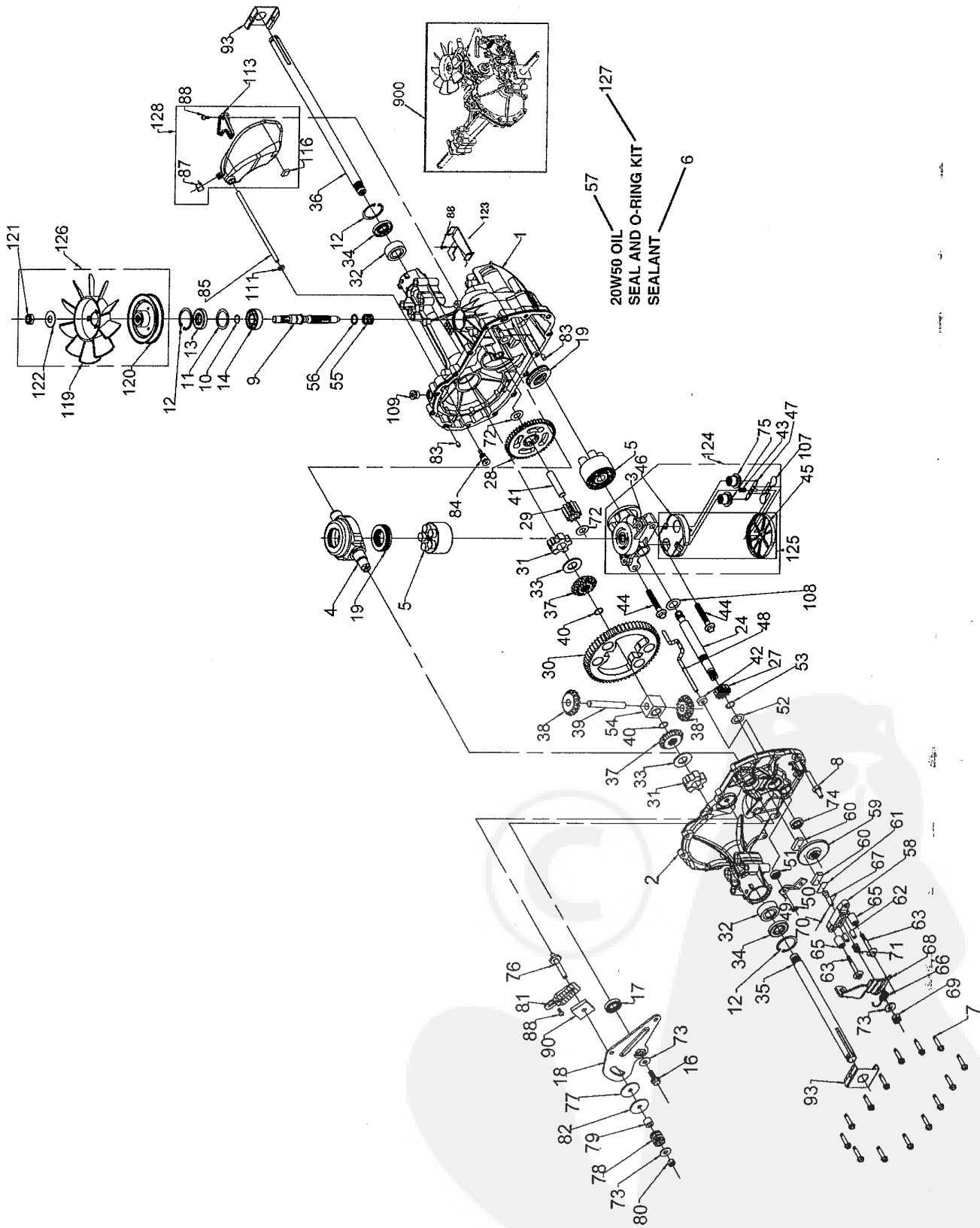


Bagger Asy (CRD)_17

KEY NO.	PART NO.	DESCRIPTION	KEY NO.	PART NO.	DESCRIPTION
1	428610	Tube Handle Bagger CRD	28	165787	Grip Handle Black
3	123976X	Nut Lock 1/4 Lge Flg Gr. 5 Zinc	31	169484	Retainer Clip
4	169916	Handle Bagger w/Lvrs Gr. 5 Zinc	32	126875X	Rivet Rd Hd Drilled 3/8 Dia
5	74981024	Screw Pan Head #10-24 x 1.50 Blk	33	428683	Plug Mulch
6	74981032	Screw Pan Hd	34	165570	Handle Mulcher
7	73401000	Nut Wiz Lock Hex Serr/Hd #10-24	35	165572	Pin Mulcher
8	169963X615	Cover Bagger	36	19132012	Washer 13/32 x 1-1/4 x 12 Ga.
9	72140418	Bolt Carriage 1/4-20 x 2.25d x Gr.5	37	175401	Plug Support Bagger CRD
10	181282	Tube Support Bagger CRD	38	72010520	Bolt 5/16-18 x 2-1/2
11	165719	Bracket Support Upper Bag CRD	39	416257	Seal
12	188848	Bracket Pivot LH	41	432755	Bracket Electric Bagger CRD
13	74760612	Bolt Fin Hex 3/8-16 unc	43	174083	Plug Tubing End
14	74520636	Bolt Fin Hex 3/8-16 x 2-1/4 Gr. 5	46	72110510	Bolt Carr. 5/16-18 x 1-1/4 Gr. 5
15	4939M	Retainer Spring	47	193704	Tube Upper
16	73900600	Nut Lock Flg 3/8-16 unc	49	193305	Bar Spreader
17	72140506	Bolt Rdhd Sht Sqnk 5/16-18 unc x 3/4	50	73800500	Nut Lock Hex W/Ins. 5/16-18 unc
19	73900500	Nut Lock Hex Flange 5/16-18	51	199903	Latch Spring Bagger
20	188847	Bracket Pivot RH	53	73510400	Nut Keps Hex 1/4-20 unc
21	406180	Bag Asm CRD	54	72140406	Bolt Rdhd Sqnk 1/4-20 unc
22	428236	Bracket Side Bagger CRD			
24	165783	Tube Pivot Bagger CRD			
25	193705	Tube Front Bagger CRD			

NOTE: All component dimensions given in U.S. inches
1 inch = 25.4 mm

TRACTOR- -MODEL NO. 917.254211
TRANSAXLE HYDRO GEAR - - MODEL NUMBER 321-0510



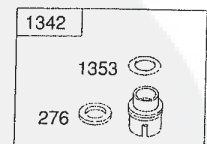
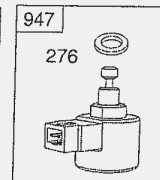
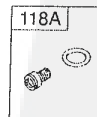
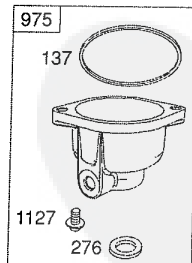
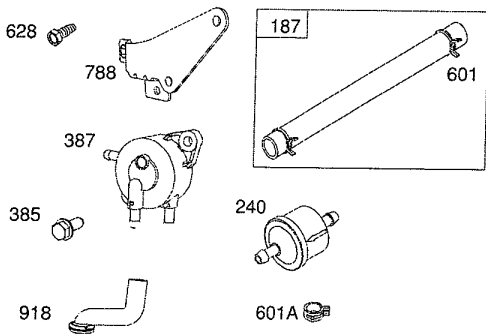
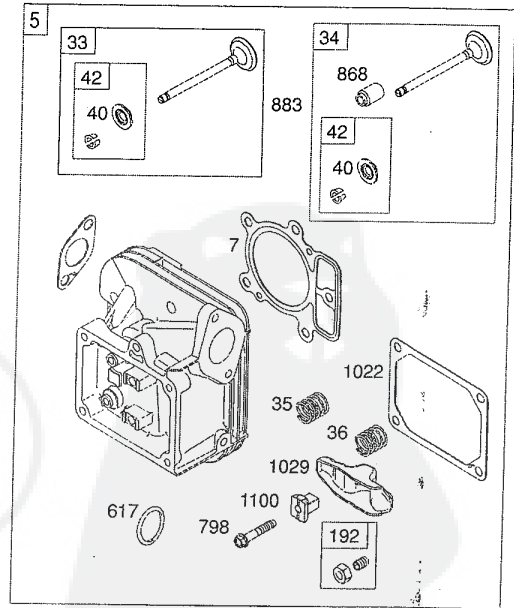
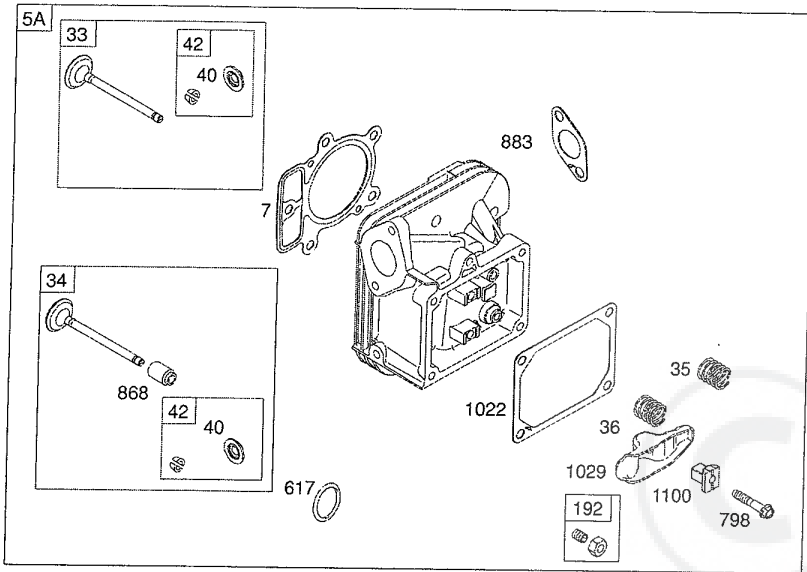
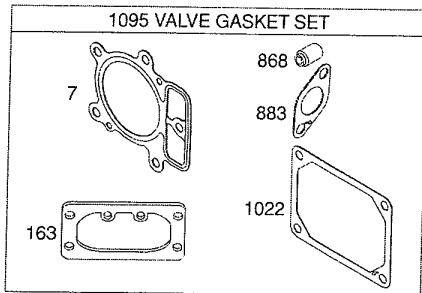
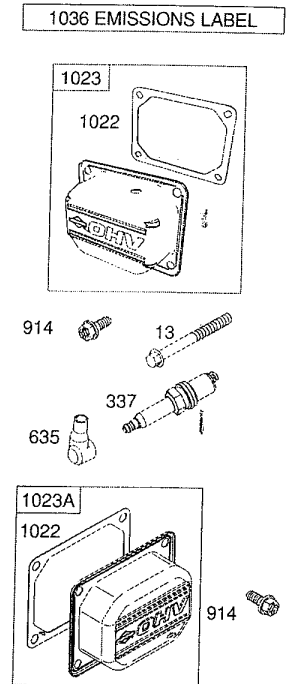
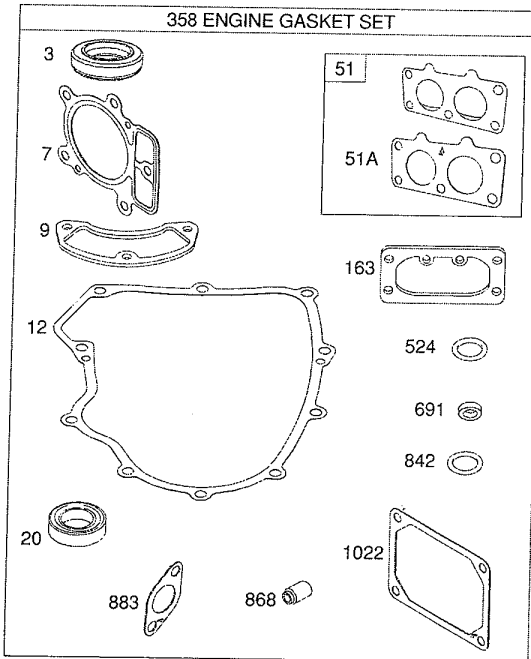
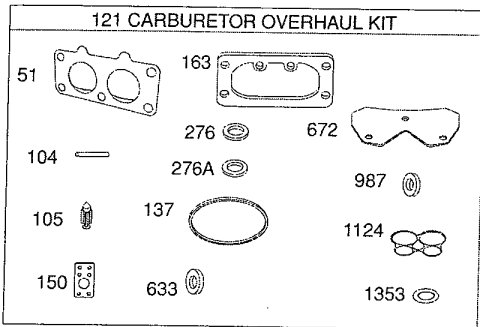
TRACTOR- -MODEL NO. 917.254211
TRANSAXLE HYDRO GEAR - - MODEL NUMBER 321-0510

KEY NO.	PART NO.	DESCRIPTION	KEY NO.	PART NO.	DESCRIPTION
1	170351	Main Housing, Assembly	60	142883	Brake Puck
2	170352	Side Housing, Assembly	61	142882	Puck Plate
3	170353	Center Section, Assembly	62	142887	Brake Actuating Pin
4	170354	Swashplate, Trunion Machined	63	170410	HFHCS 1/4-20X2 W/Patch, Special Flange
5	169898	Block - Assembly	64	142892	Bolt, 1/4-20 X 1 W/Patch
6	170355	Sealant	65	170411	Spacer
7	170356	Hex Flange Screw 1/4-20 X 1.25	66	170412	Spring, Brake Arm Bias
8	170357	Stud, 5/16-24 Hex Double End	67	170413	SQ. HD. BOLT 5/16-24-Ribbed
9	170358	Shaft, Input	68	178157	Arm, Brake
10	170359	Ring - Retaining	69	170415	Slotted Hex Nut 5/16-24
11	170360	Spacer	70	170416	Cotter Pin 3/32 X 3/4
12	169870	Ring - Retaining	71	170417	Compression Spring Brake Anti-Drag
13	170361	Seal, Lip .67 X 1.58 X .276	72	170418	Washer, HT .5 I.D. X 1 O.D. X .032
14	173158	Ball Brg 17MM ID X 40MM OD X 12MM	73	142884	Flat - Washer 11/32 I.D. X 7/8 O.D.
16	170362	Hex Flange Head Screw 5/16-24 X 0.75	74	170419	Oil Seal .625 X 1.0 X .25
17	170363	Lip Seal 18 X 32 X 7	75	170420	Check Plug Assembly, .027, Washer
18	170364	Arm, Control	76	170421	Stud, 5/16-24 Friction Pack
19	173159	Bearing, 30X52X13 Thrust	77	170422	Puck, .330 X 1.50 X .0975
23	170365	Check Plug Assembly, Washer	78	142969	Spring, Helical Comp
24	170366	Shaft, Motor1	79	142980	Spacer
27	170367	Gear - Pinion, 13T	80	150778	Hex Lock Nut 5/16-24 UNJF(Nylon Insert)
28	170368	10T/48T GEAR	81	170423	Wedge, Friction Pack
29	170369	Gear, 10T Jackshaft	82	170424	Clip, Washer .316X1.50X.1046 (Plated)
30	170370	60T Bull Gear	83	161168	Pin, Standard Headless
31	170371	Sleeve Bearing .75 X 1.575 X .625	84	170425	Fitting, 5/16 Sae 5/32 Tube
32	170389	Sleeve Bearing(Outboard).75X1.750X.625	85	170426	Hose, Expansion Tank
33	142991	Washer, 3/4 ID X 1-1/2 OD X .13 THK	87	173160	Cap, Vent
34	170390	Lip Seal Axle Seal	88	170429	Bolt, Self Tapping 10-32 X 1/2
35	170391	Shaft, Axle .75 X 11.39 (Key, R.H.)	90	170430	Puck, Inner Wedge
36	170392	Shaft, Axle .75 X 16.99 (Key, L.H.)	93	170431	Spring Clip - Housing Thrust
37	150792	Miter Gear (SPLINED)	107	170432	Deflector
38	150793	Miter Gear 15T (0.5 ID)	108	170433	Washer, Motorshaft .711DX1.15ODX.030THK
39	150809	Shaft	109	170434	Plug, Sae #6
40	170393	Ring, Spiral Retaining	111	170435	O-ring .07 x .301 I.D.
41	170394	Pin, Jackshaft	113	170437	Bracket, Support Expansion Tank
42	170395	Magnet, Rling	116	170438	Silicon Sponge
43	170396	Spring, Bypass	119	170439	Fan
44	150797	Hydro mtg Screw 3/8-24 X 2.5 Long	120	178159	Pulley
45	170397	Filter	121	170441	Hex Lock Nut 1/2-20
46	170398	Base, Filter	122	170442	Washer Belleville
47	170399	Actuator, Bypass	123	178160	Bracket Belt Keeper
48	170400	Rod, Bypass Actuator	124	170444	Center Section-Filter-Bypass Assembly
49	178156	Arm, Bypass	125	170445	Filter Assembly
50	170402	Retaining Ring .250 External	126	178417	Fan - Pulley Service Assembly
51	170403	Seal, Lip .741 X .250 X .250 TC	127	170447	Seal - O-ring Kit
52	170404	Flat Washer, 5/8 ID X 1.0 OD X .05 THK	128	173165	Kit, Expansion Tank
53	170405	Retaining Ring	900	170061	Transaxle, complete
54	170406	Bearing, Center Block			
55	142977	Spring - Helical Compression			
56	142978	Washer			
57	-----	20W-50 OIL 72.8 oz			
58	170407	Brake Yoke			
59	170408	Rotor, Brake			

NOTE: All component dimensions given in U.S. inches
1 inch = 25.4 mm

TRACTOR- -MODEL NO. 917.254211

BRIGGS & STRATON ENGINE - - MODEL NUMBER 445677, TYPE NUMBER 1262-B1



TRACTOR- -MODEL NO. 917.254211

BRIGGS & STRATON ENGINE - - MODEL NUMBER 445677, TYPE NUMBER 1262-B1

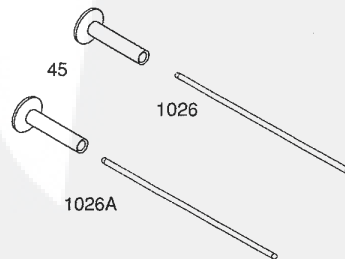
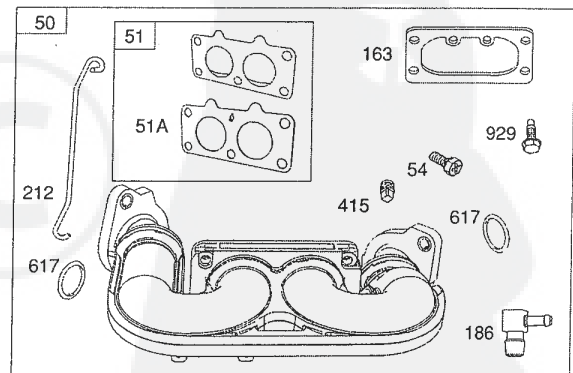
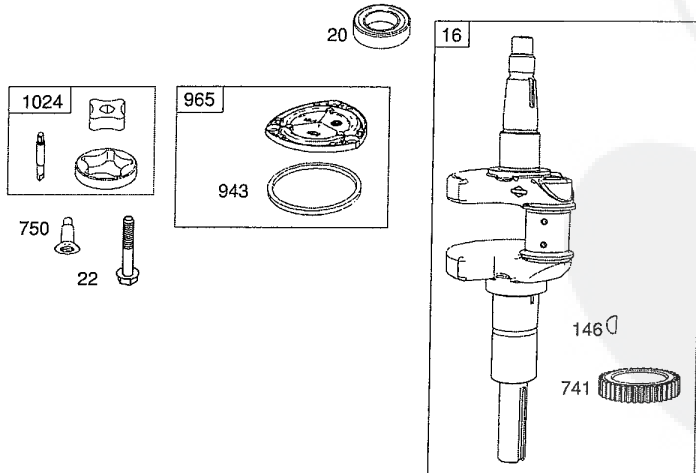
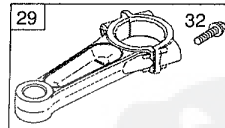
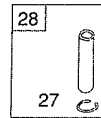
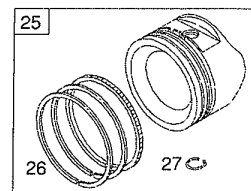
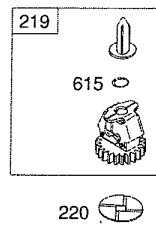
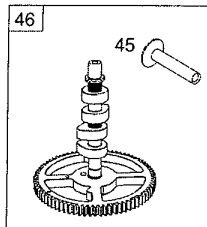
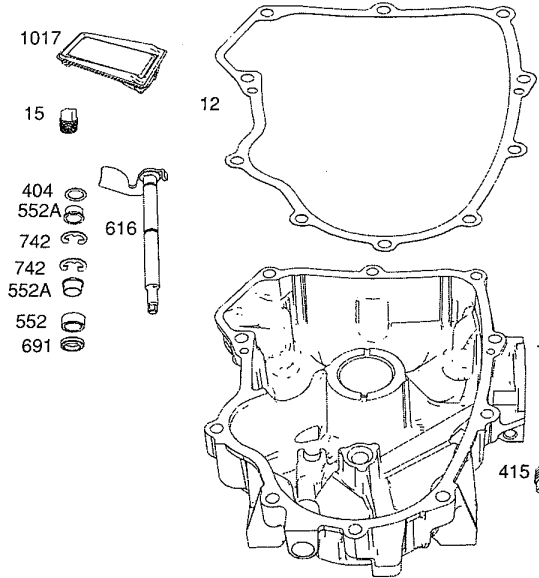
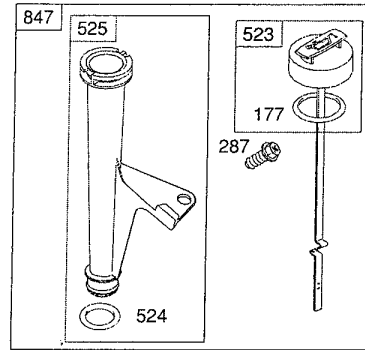
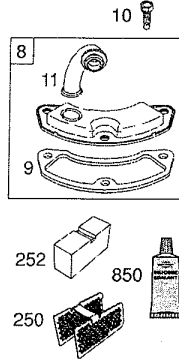
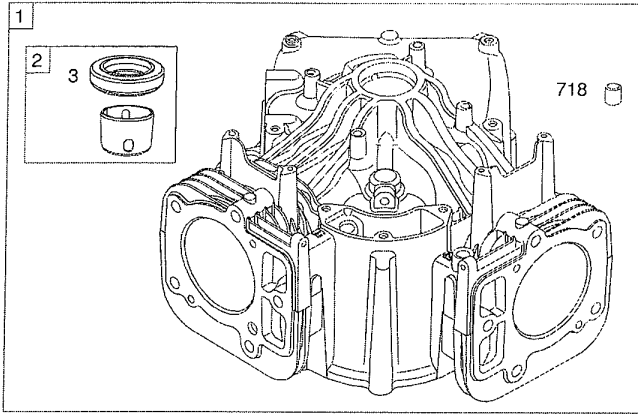
48 SHORT BLOCK

1058 OPERATOR'S MANUAL

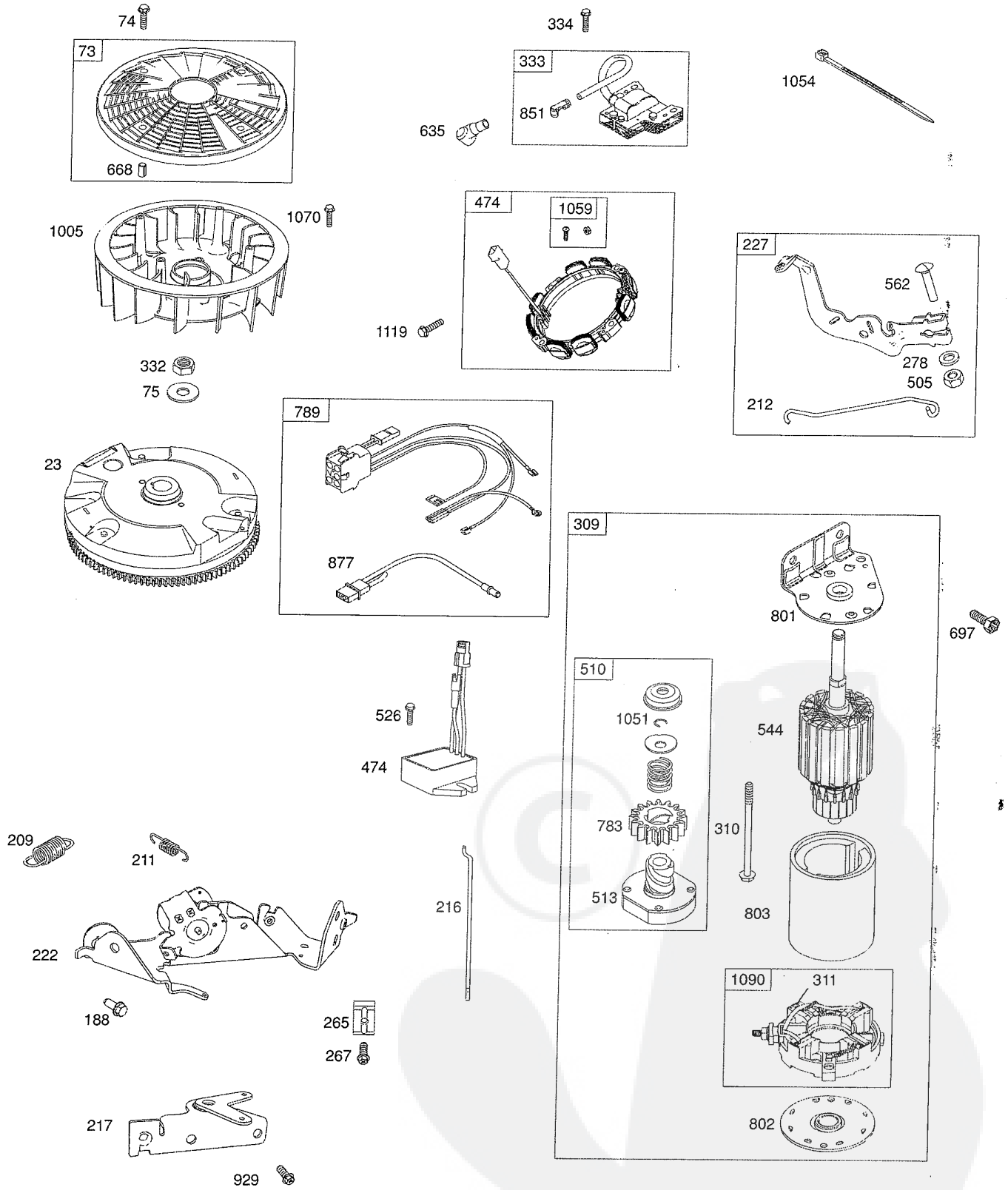
1329 REPLACEMENT ENGINE

1330 REPAIR MANUAL

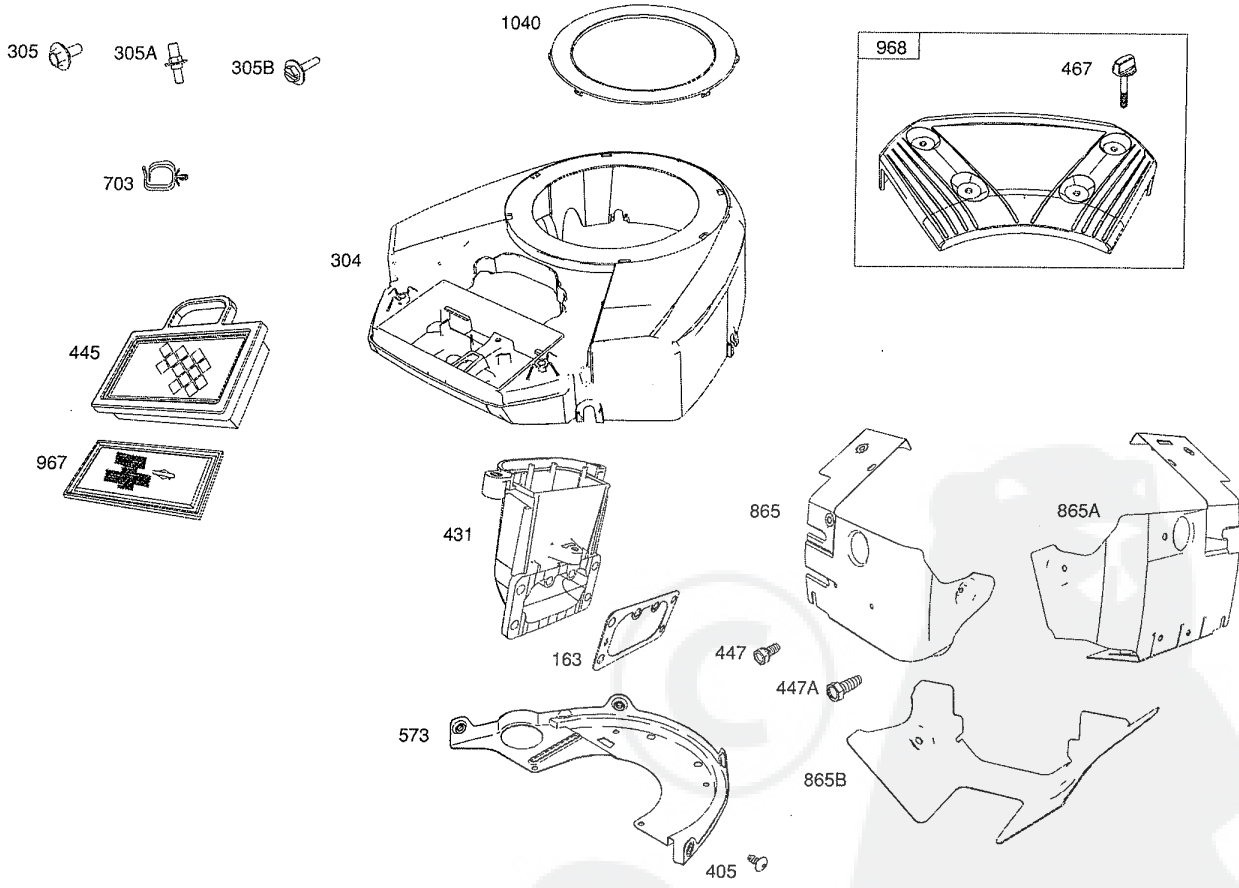
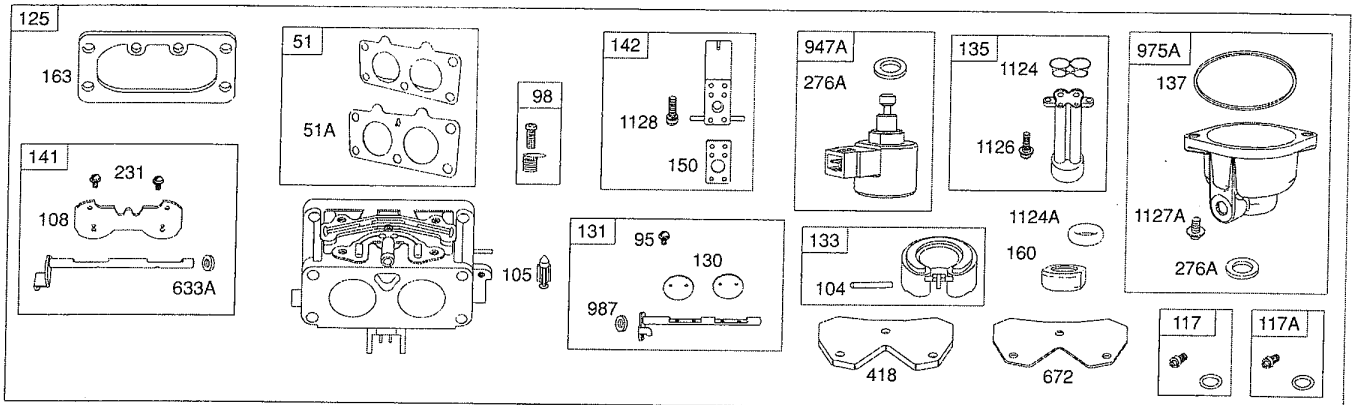
LIQUID GASKET AND THE BREATHER GASKET ARE INTERCHANGEABLE



TRACTOR- -MODEL NO. 917.254211
BRIGGS & STRATON ENGINE - - MODEL NUMBER 445677, TYPE NUMBER 1262-B1



TRACTOR- -MODEL NO. 917.254211
BRIGGS & STRATON ENGINE - - MODEL NUMBER 445677, TYPE NUMBER 1262-B1



TRACTOR- -MODEL NO. 917.254211

BRIGGS & STRATON ENGINE - - MODEL NUMBER 445677, TYPE NUMBER 1262-B1

KEY NO.	PART NO.	DESCRIPTION	KEY NO.	PART NO.	DESCRIPTION
1	793564	Cylinder Assembly	135	699729	Tube-Fuel Transfer
2	499585	Bushing/Seal Kit (Magneto Side)	137	♣ 690994	Gasket-Float Bowl
3	• 391086s	Seal-Oil (Magneto Side)	141	699722	Kit-Choke Shaft
4	796230	Sump-Engine	142	699726	Nozzle-Carburetor
5	796231	Head-Cylinder (Cylinder #1)	146	690979	Key-Timing
5A	796232	Head-Cylinder (Cylinder #2)	150	690995	Gasket-Nozzle
7	♦♦ 693997	Gasket-Cylinder Head	160	699727	Retainer-Solenoid (Brass)
8	792185	Breather Assembly	163	691001	Gasket-Air Cleaner
9	• 690937	Gasket-Breather (Liquid Gasket and The Breather Gasket Are Interchangeable)	177	691031	Seal-O Ring (Dipstick)
			187	791766	Line-Fuel (Cut to Required Length)
10	697551	Screw (Breather Assembly)	188	697551	Screw (Control Bracket)
11	792184	Tube-Breather	192	690083	Adjuster-Rocker Arm
12	• 697227	Gasket-Crankcase	197	697820	Screw (Back Plate)
13	793988	Screw (Cylinder Head)	209	793339	Spring-Governor (Light Green)
15	690946	Plug-Oil Drain	211	796225	Spring-Governed Idle (Orange)
16	796540	Crankshaft	212	695238	Link-Throttle
20	• 795387	Seal-Oil (PTO Side)	213	691021	Bracket-Choke Control
22	694966	Screw (Crankcase Cover/Sump)	216	691022	Link-Choke
23	691053	Flywheel	219	793338	Gear-Governor
24	222698s	Key-Flywheel	220	690412	Washer (Governor Gear)
25	792023	Piston Assembly (Standard)	221	841026	Cup-Governor
	792072	Piston Assembly (.020" Oversize)	222	796630	Bracket-Control
26	793561	Ring Set (Standard)	227	796223	Lever-Governor Control
	792073	Ring Set (.020" Oversize)	231	690718	Screw (Choke Valve)
27	690975	Lock-Piston Pin	240	691035	Filter-Fuel
28	696581	Pin-Piston	250	690957	Retainer-Breather
29	699699	Rod-Connecting	252	794389	Collector-Oil
32	690976	Screw (Connecting Rod)	265	691024	Clamp-Casing
33	697576	Valve-Exhaust	267	792629	Screw (Casing Clamp)
34	792200	Valve-Intake	276	794271	Washer-Sealing (Aluminum)
35	694865	Spring-Valve (Intake)	276A	695410	Washer-Sealing (Used On Service Carburetor)
36	694865	Spring-Valve (Exhaust)			Washer (Governor Control Lever)
40	690964	Retainer-Valve	278	792651	Screw (Dipstick Tube)
42	499586	Keeper-Valve	287	697551	Housing-Blower
45	690977	Tappet-Valve	304	796597	Screw (Blower Housing)
46	792555	Camshaft	305	691005	Screw (Blower Housing)
48	698172	Short Block	305A	698336	Screw (Blower Housing)
50	695241	Manifold-Intake	305B	790690	Screw (Blower Housing) (Blower Housing to Intake Elbow)
51	♦♦♣ 795123	Gasket-Intake	309	499521	Motor-Starter
51A	♦♦♣ 690950	Gasket-Intake	310	691263	Screw (Starter Motor)
53	690951	Stud (Carburetor)	332	691059	Nut (Flywheel)
54	699816	Screw (Intake Manifold)	333	691060	Armature-Magneto
73	494439	Screen-Rotating	334	691061	Screw (Magneto Armature)
74	698425	Screw (Rotating Screen)	337	691043	Plug-Spark
75	691056	Washer (Flywheel)	358	694012	Gasket Set-Engine
75	690718	Screw (Throttle Valve)	385	697551	Screw (Fuel Pump)
78	699721	Kit-Idle Speed	387	808656	Pump-Fuel
104	♣ 694918	Pin-Float Hinge	404	690442	Washer (Governor Crank)
105	♣ 698537	Valve-Float Needle	415	794903	Plug (Oil Pressure Switch Hole)
108	699723	Valve-Choke	415A	690283	Plug (Intake Manifold)
17	791501	Jet-Main (Standard) (Left)	418	795912	Plate-Carburetor
17A	791502	Jet-Main (Standard) (Right)	431	790816	Elbow-Intake
18	695415	Jet-Main (High Altitude) (Left)	445	499486s	Filter-Air Cleaner Cartridge
18A	843099	Jet-Main (High Altitude) (Right)	447	691003	Screw (Air Guide Cover) (Long)
21	792455	Kit-Carburetor Overhaul	447A	697551	Screw (Air Guide Cover) (Short)
25	791230	Carburetor	462	691261	Washer (Starter Cable)
30	690993	Valve-Throttle	467	691008	Knob-Air Cleaner
31	499805	Kit-Throttle Shaft	474	696458	Alternator
33	699724	Float-Carburetor	501	691185	Regulator

TRACTOR- -MODEL NO. 917.254211

BRIGGS & STRATON ENGINE - - MODEL NUMBER 445677, TYPE NUMBER 1262-B1

KEY NO.	PART NO.	DESCRIPTION	KEY NO.	PART NO.	DESCRIPTION
505	691029	Nut (Governor Control Lever)	965	796221	Cover-Oil Pump
510	696541	Drive-Starter	967	273638s	Filter-Pre Cleaner
513	692024	Clutch-Drive	968	791242	Cover-Air Cleaner
523	691036	Dipstick	975	499810	Bowl-Fuel
524	• 691032	Seal-Dipstick Tube	975A	793592	Bowl-Fuel (Used On Service Carburetor)
525	691037	Tube-Dipstick	987	♣ 691000	Seal-Throttle Shaft
526	697551	Screw (Regulator)	1005	791236	Fan-Flywheel
544		Armature-Starter (Service by 499521 Starter Motor Only, Reference 309)	1013	690954	Nipple-Oil Filter
			1017	796214	Screen-Oil Pump
			1022	♦♦ 690971	Gasket-Rocker Cover (Liquid Gasket and Rocker Cover Gasket are Interchangeable)
552	690552	Bushing-Governor Crank	1023	793146	Cover-Rocker (Cylinder #1)
552A	690553	Bushing-Governor Crank	1023A	499600	Cover-Rocker (Cylinder #2)
562	690311	Screw (Governor Control Lever)	1024	796220	Pump-Oil
573	790444	Plate-Back	1026	690981	Rod-Push (Steel)
601	791850	Hose-Clamp (Green)	1026A	690982	Rod-Push (Aluminum)
601A	691038	Hose-Clamp (Black)	1027	492932s	Filter-Oil
615	698290	Retainer-Governor Shaft	1029	690972	Arm-Rocker
616	691045	Crank-Governor	1036		Label-Emissions (Available from a Briggs & Stratton Authorized Dealer)
617	♣ 697891	Seal-O Ring (Intake Manifold) (Red)	1040	791237	Plate-Trim
628	697551	Screw (Fuel Pump Bracket)	1051	691265	Ring-Retaining
633	699813	Seal-Choke/Throttle Shaft (Choke Shaft)	1054	280275	Tie-Cable
633A	690998	Seal-Choke/Throttle Shaft (Choke Shaft) (Used On Service Carburetor)	1058	276245	Operator's Manual
635	66538s	Boot-Spark Plug	1059	698516	Kit-Screw/Washer
654	690958	Nut (Carburetor)	1070	791680	Screw (Flywheel Fan)
668	691215	Spacer (Rotating Screen)	1090	691293	Retainer-Brush
672	690234	Gasket-Carburetor Plate	1095	694013	Gasket Set-Valve
691	• 790574	Seal-Governor Shaft	1000	791959	Pivot-Rocker Arm
697	690372	Screw (Drive Cap)	1119	691183	Screw (Alternator)
703	691010	Clip	1124	690988	Seal-O Ring (Fuel Transfer Tube)
718	690959	Pin-Locating	1124A	842653	Seal-O Ring (Fuel Transfer Tube) (Used On Service Carburetor)
741	690980	Gear-Timing	1126	690991	Screw (Fuel Transfer Tube)
742	690328	Retainer-E Ring	1127	690992	Screw (Float Bowl)
750	796208	Screw (Oil Pump Cover)	1127A	695407	Screw (Float Bowl) (Used On Service Carburetor)
783	695708	Gear-Pinion	1128	690990	Screw (Carburetor Nozzle)
788	793145	Bracket-Fuel Pump	1329	44Q777-0037	Replacement Engine
789	698330	Harness-Wiring	1330	273521	Repair Manual
798	697890	Screw (Rocker Arm)	1342	699731	Extension-Fuel Transfer Tube
801	691283	Cap-Drive	1353	699725	Seal-O Ring (Fuel Transfer Tube Extension)
802	691286	Cap-End			
803		Housing-Starter (Service by 499521 Starter Motor Only, Reference 309)			
847	499602	Dipstick/Tube Assembly			
850	100106	Sealant-Liquid (Used to Seal Breather Assembly and Rocker Cover)			
851	493880s	Terminal-Spark Plug			
865	691012	Cover-Air Guide (Cylinder #1)			
865A	796541	Cover-Air Guide (Cylinder #2)			
865B	691015	Cover-Air Guide (Cylinder #3)			
868	♦ 690968	Seal-Valve			
877	790544	Wire/Connector-Alternator			
883	• 690970	Gasket-Exhaust			
914	691127	Screw (Rocker Cover)			
918	793147	Hose-Vacuum			
929	695239	Screw (Choke Control Bracket)			
943	• 796222	Seal-O Ring (Oil Pump Cover)			
947	699728	Solenoid-Fuel			
947A	841546	Solenoid-Fuel (Used On Service Carburetor)			

- Included in Engine Gasket Set, Key. No. 358
- ♦ Included in Valve Gasket Set, Key No. 1095
- ♣ Included in Carburetor Overhaul Kit, Key, No. 121

NOTE: All component dimensions given in U.S. inches
1 inch = 25.4 mm

LIMITED WARRANTY ON CRAFTSMAN RIDING EQUIPMENT

For two (2) years from the date of purchase, if this Craftsman Riding Equipment is maintained, lubricated and tuned up according to the instructions in the owner's manual, Sears will repair or replace free of charge any parts that are found to be defective in material or workmanship according to the guidelines of coverage listed below. Sears will also provide free labor for these applicable warranted parts for the two full years. During the first 30 days of purchase, there will be no charges to service the product at your home for issues covered by this warranty. (See exclusions below). For your convenience, IN HOME warranty service will still be available after the first 30 days of purchase, but a trip charge will apply. This charge will be waived if the Craftsman product is dropped off at an authorized Sears location. For the nearest authorized Sears location, please call 1-800-4-MY-HOME®. This warranty applies only while this product is within the United States.

This Warranty does not cover:

- Expendable items which become worn during normal use, including but not limited to blades, spark plugs, air cleaners, belts, and oil filters.
- Standard Maintenance Servicing, oil changes, or tune-ups
- Tire replacement or repair caused by punctures from outside objects, such as nails, thorns, stumps, or glass.
- Repairs necessary because of operator abuse, including but not limited to, damage caused by towing objects beyond the capability of the riding equipment, impacting objects that bend the frame or crankshaft, or over-speeding the engine.
- Repairs necessary because of operator negligence, including but not limited to, electrical and mechanical damage caused by improper storage, failure to use the proper grade and amount of engine oil, failure to keep the deck clear of flammable debris, or failure to maintain the equipment according to the instructions contained in the owner's manual.
- Engine (fuel system) cleaning or repairs caused by fuel determined to be contaminated or oxidized (stale). In general, fuel should be used within 30 days of its purchase date.
- Normal deterioration and wear of the exterior finishes, or product label replacement.
- Riding equipment used for commercial or rental purposes.

LIMITED WARRANTY ON BATTERY

For ninety (90) days from date of purchase, if any battery included with this riding equipment proves defective in material or workmanship and our testing determines the battery will not hold a charge, Sears will replace the battery at no charge. During the first 30 days of purchase, there will be no charges to replace the battery at your HOME. After the first 30 days, for your convenience, IN-HOME warranty service will still be available but a trip charge will apply. This charge will be waived if the Craftsman product is dropped off at an authorized Sears location. For the nearest authorized Sears location, please call 1-800-4-MY-HOME®.

This battery warranty applies only while this product is within the United States.

This warranty gives you specific legal rights, and you may also have other rights, which vary, from state to state.

Sears, Roebuck and Co., Dept. 817WA, Hoffman Estates, IL 60179



CRAFTSMAN®