

REPAIR PARTS MANUAL
MODEL NO. 277183
Lawn Tractor

CRAFTSMAN®

HOW TO USE THIS MANUAL

This manual is designed to provide the customer with a means to identify the parts on his/her tractor when ordering repair parts. The illustrations may or may not represent the actual assemblies; therefore, it is not recommended to use this manual as a guide to assemble or disassemble the tractor. Some hardware and parts are drawn larger in order to more readily identify them.

Each tractor has its own model number.

The model number for your tractor can be found on the fender under the seat.

When ordering parts, always give the following information:

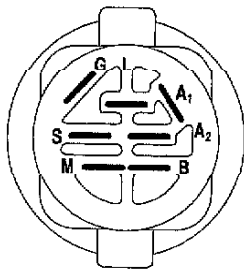
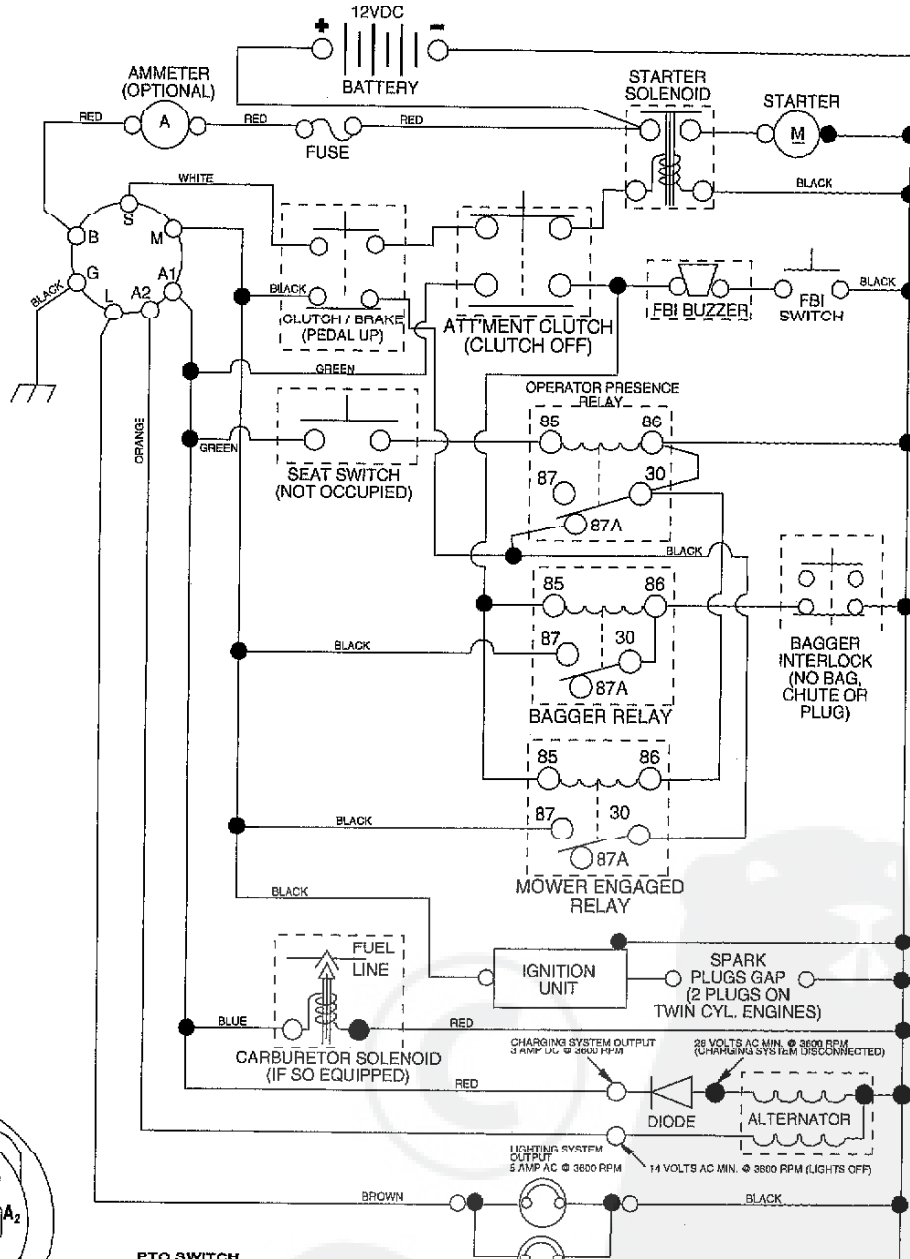
- Product - "Tractor"
- Model Number - "277183"
- Part Number
- Part Description

TABLE OF CONTENTS

SCHEMATIC	3
ELECTRICAL.....	4-5
CHASSIS.....	6-7
DRIVE.....	8-9
STEERING	10-11
SEAT	12
DECALS.....	13
ENGINE.....	14
MOWER LIFT.....	15
MOWER DECK	16-17
BAGGER	18-19
TRANSAXLE.....	20-21
ENGINE BREAKDOWN.....	22-27
WARRANTY	28

SCHEMATIC

TRACTOR- -MODEL NO. 917.277183



IGNITION SWITCH

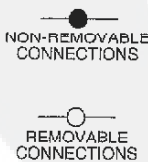
POSITION	CIRCUIT	"MAKE"
OFF	M+G+A1	NONE
RUN/LIGHT	B+A1	A2+L
RUN	B+A1	NONE
START	B + S + A1	NONE

PTO SWITCH

POSITION	CIRCUIT
OFF	C+G, B+H
ON	C+F, B+E, A+D

WIRING INSULATED CLIPS
 NOTE: IF WIRING INSULATED CLIPS WERE REMOVED FOR SERVICING OF UNIT, THEY SHOULD BE REPLACED TO PROPERLY SECURE YOUR WIRING.

02391

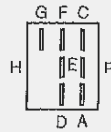


HEADLIGHTS

NOTE
 YOUR TRACTOR IS EQUIPPED WITH A SPECIAL ALTERNATOR SYSTEM. THE LIGHTS ARE NOT CONNECTED TO THE BATTERY, BUT HAVE THEIR OWN ELECTRICAL SOURCE. BECAUSE OF THIS, THE BRIGHTNESS OF THE LIGHTS WILL CHANGE WITH ENGINE SPEED. AT IDLE THE LIGHTS WILL DIM. AS THE ENGINE IS SPEEDED UP, THE LIGHTS WILL BECOME THEIR BRIGHTEST.



RELAY



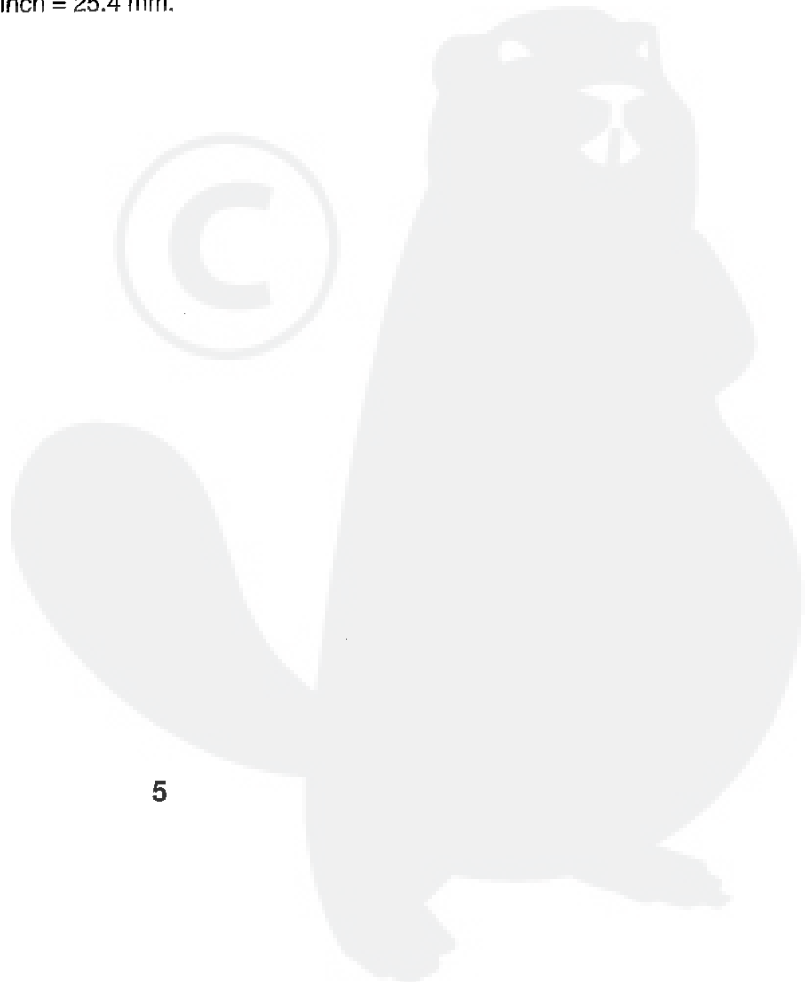
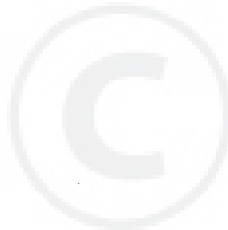
REPAIR PARTS

TRACTOR- -MODEL NO. 917.277183

ELECTRICAL

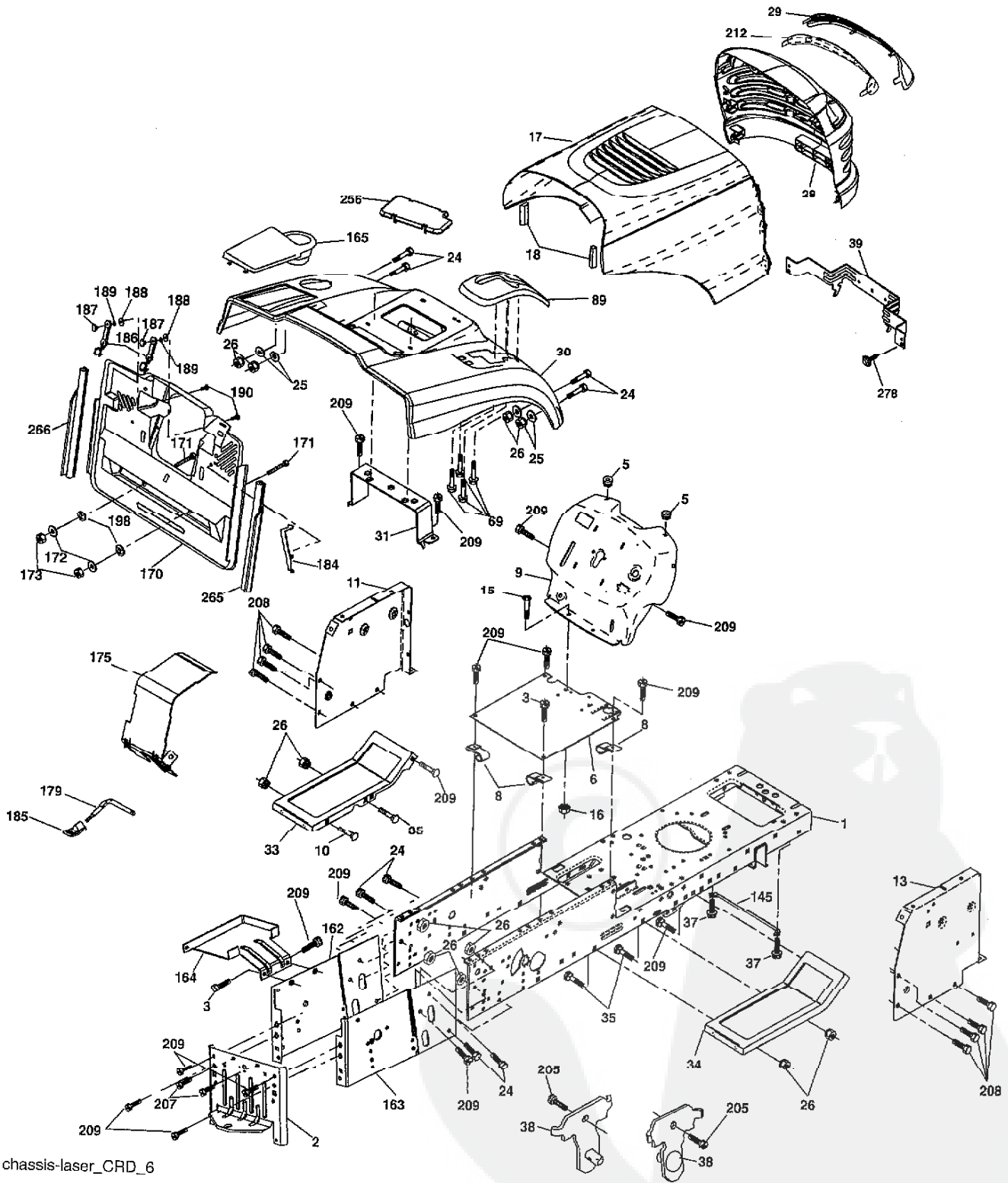
KEY NO.	PART NO.	DESCRIPTION
1	163465	Battery
2	74760412	Bolt Hex Hd 1/4-20 unc x 3/4
16	176138	Switch Interlock Push-In
21	183759	Harness Asm Light W/4152J
22	4152J	Bulb Light #1156
24	4799J	Cable Starter 6 Ga. 11" Red
25	165987	Cable Battery Crd 56" Red
26	175158	Fuse
27	STD541425	Nut Keps Hex 1/4-20 unc
28	127725X	Cable Ground 6 Ga. 18" Black
29	121305X	Switch Plunger Normal NC Gray
30	175566	Switch Ignition
33	140403	Key Ign Molded
40	188036	Harness Ign Crd Noram
41	11110408	Bolt Flk Fin Hex 1/4-20 unc x 1/2
42	131563	Cover Terminal Red
43	178861	Solenoid
45	121433X	Ammeter Rectangular
52	141940	Protection Wire Loop
58	169419	Buzzer Crd
59	180379	Switch FBI CRD
66	17490608	Screw Thdrol 3/8-16 x 1/2 Ty-Tt
81	109748X	Relay Asm

NOTE: All component dimensions given in U.S. inches.
1 inch = 25.4 mm.



REPAIR PARTS

TRACTOR- -MODEL NO. 917.277183 CHASSIS AND ENCLOSURES



chassis-laser_CRD_6

REPAIR PARTS

TRACTOR- -MODEL NO. 917.277183

CHASSIS AND ENCLOSURES

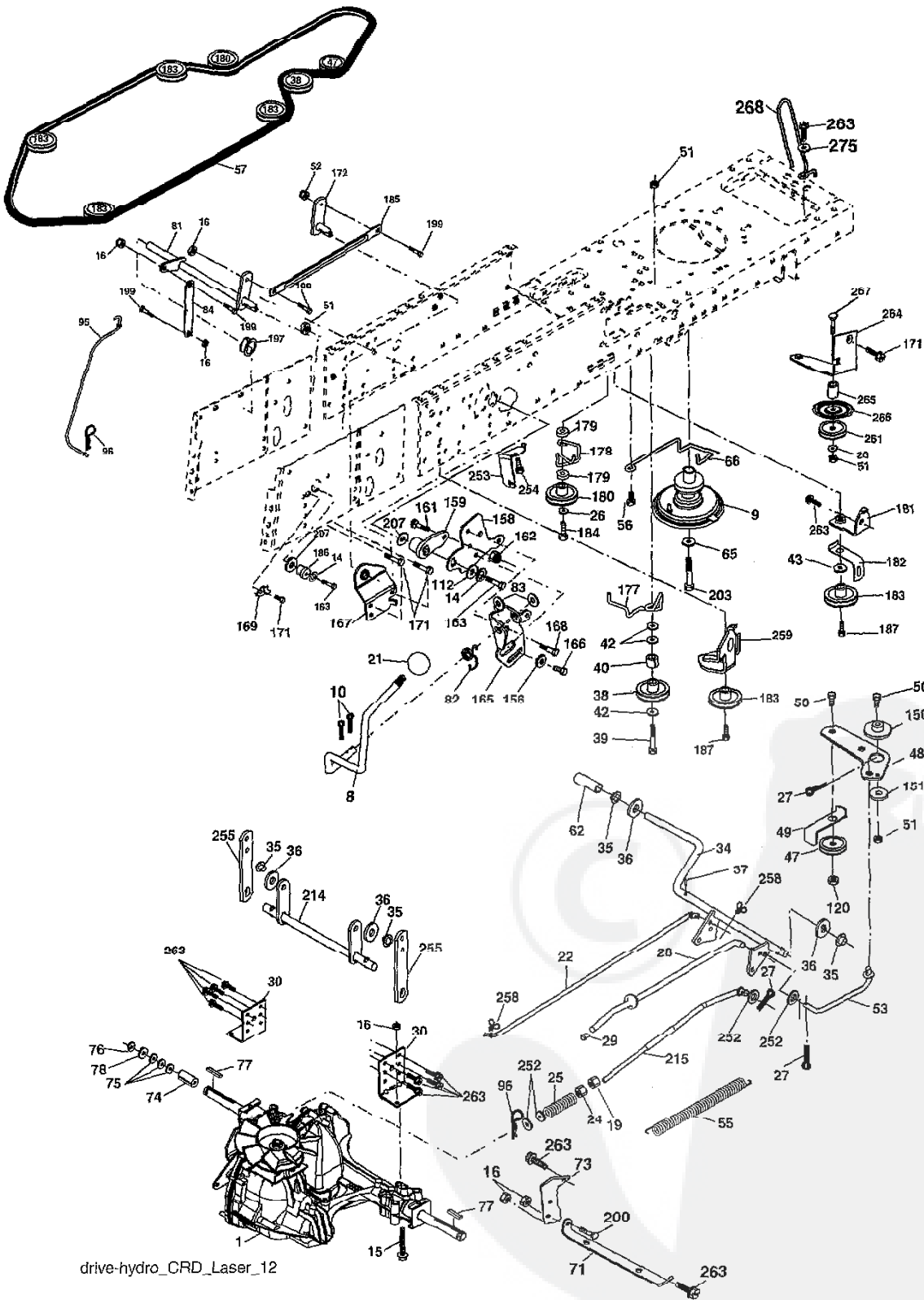
KEY NO.	PART NO.	DESCRIPTION	KEY NO.	PART NO.	DESCRIPTION
1	174620	Chassis Assembly	162	180382	Bracket Exten Chassis Lh CRD
2	180384	Drawbar	163	180383	Bracket Exten Chassis Rh CRD
3	17060612	Screw 3/8-16 x .75	164	165605	Support Battery CRD
5	155272	Bumper Hood/Dash	165	179020X428	Cover Battery CRD Lt
6	184419	Saddle	170	178862	Backplate Asm CRD
8	126471X	Clip Insulator 13/32 Mtg. Hole	171	72140620	Bolt Rdhd Sqnk 3/8-16 x 2-1/2
9	193519X010	Dash Slkscr	172	19132016	Washer 13/32 x 1-1/4 x 16 Ga.
10	STD533710	Bolt, Carriage 3/8-16 x 1	173	STD541437	Nut, Keps Hex 3/8-16 unc
11	174996	Panel, Dash, L.H.	175	188203	Door Trap
13	172105X010	Panel, Asm. Dash R.H.	179	188202	Rod Pivot FBI CRD
15	74180512	Screw, Machine, Truss Head 5/16-18 unc x 3/4	184	174662	Bracket Actuator Bagger CRD
16	STD541431	Nut Keps 5/16-18 unc	185	179608X505	Knob Rod Brake Parking
17	185682X558	Hood Assembly	186	160793	Latch Asm Mulch/Bagger
18	181921	Bumper Hood	187	2029J	Nut Weld .327/.304 #10-24
24	STD523710	Bolt Fin Hex 3/8-16 unc x 1. Gr. 5	188	19061216	Washer #10
25	19131312	Washer 13/32 x 13/16 x 12 Ga.	189	STD551110	Washer Lock #10
26	STD541437	Nut Lock Hex w/lms 3/8-16 unc	190	71081010	Screw Pan Hd Phillips 10-24
28	188636	Grille/Lens Asm (Includes key #'s 29 and 212)	198	168937	Nut, Push
29	174332X599	Lens, Grille	205	17190608	Screw Thdrol 5/8-16 x 1/2
30	169962X588	Fender	207	17670508	Screw Thdrol 5/16-18 x 1/2
31	165156	Bracket, Fender Support	208	17670608	Screw Thdrol 3/8-16 x 1/2 TYT
33	179716X558	Footrest, L.H.	209	17000612	Screw Hex Wsh Thdrol 3/8-16
34	179717X558	Footrest, R.H.	212	175143	Insert Lens Reflective
35	STD533107	Bolt RDHD SHT SQNK 3/8-16 x 3/4	256	180810X428	Cover Fender Rack
37	17490508	Screw Thdrol 5/16-18 x 1/2 TYT	265	185704	Seal Side RH
38	181748	Pivot Bracket Assembly	266	185703	Seal Side LH
39	174714	Bracket Pivot	278	101611	Screw 10 x 3/4 Single-Load Hex
69	142432	Screw Hex 1/4-1/2 unc	--	5479J	Plug, Button
80	177287X428	Console	--	193640X428	Plug Switch Light
145	156524	Rod Pivot Chassis/Hood			

NOTE: All component dimensions given in U.S. inches.
1 inch = 25.4 mm.

REPAIR PARTS

TRACTOR- -MODEL NO. 917.277183

DRIVE



drive-hydro_CRD_Laser_12

REPAIR PARTS

TRACTOR- -MODEL NO. 917.277183

DRIVE

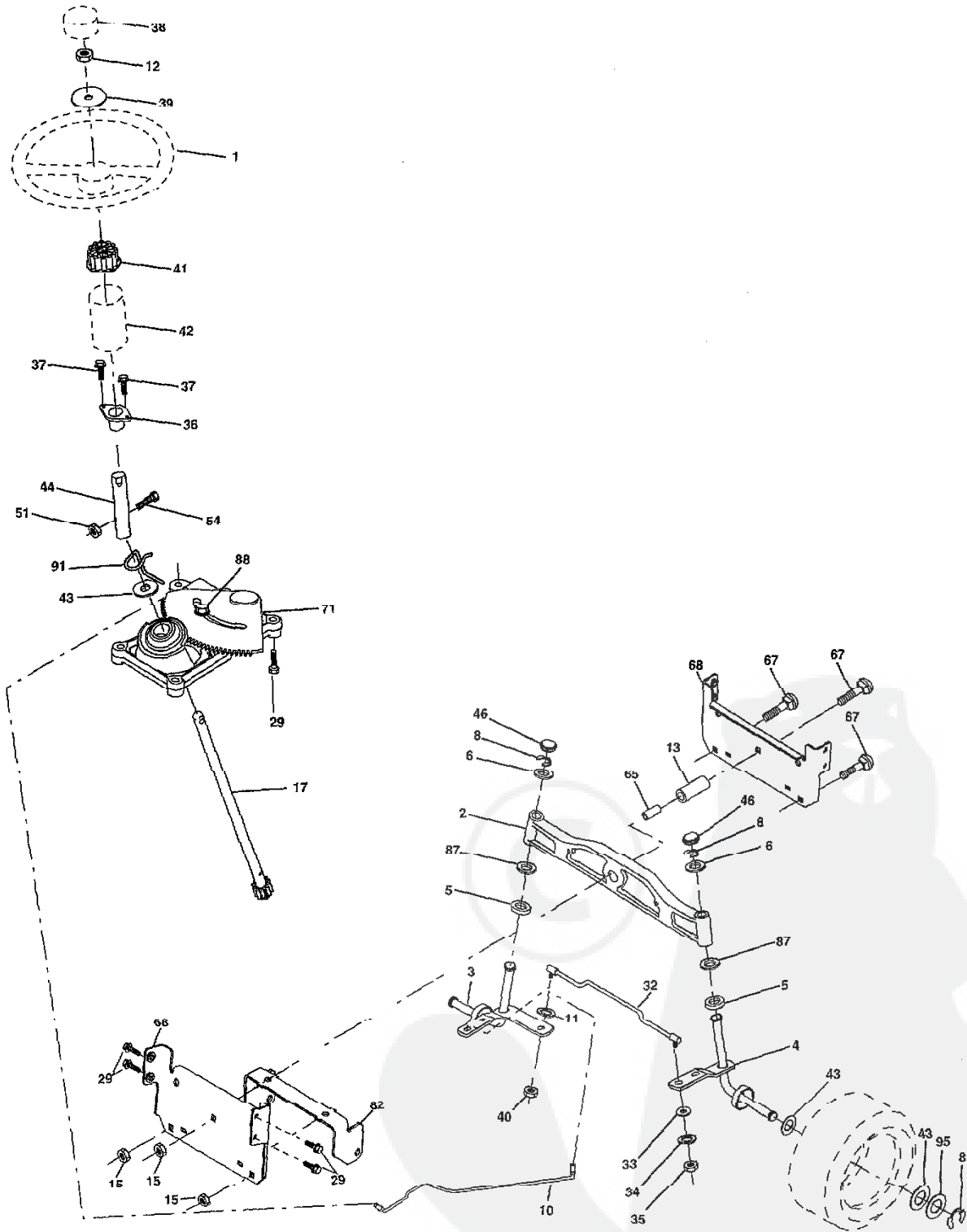
KEY NO.	PART NO.	DESCRIPTION	KEY NO.	PART NO.	DESCRIPTION
1		Transaxle Hydro Gear 321-0510 (See Breakdown))	112	19091210	Washer 9/32 x 3/4 x 10 Ga.
8	165619	Rod, Shift Fender Adjust Lt	120	73900600	Nut Lock Flg. 3/8-16 unc
9	180354	Clutch	150	165850	Bushing, Bellcrank Grnd Dr.
10	76020416	Pin, Cotter 1/8 x 1	151	19133210	Washer 13/32 x 2 x 10 Ga.
14	10040400	Washer, Lock Hvy Helical	156	166002	Washer Srted 5/16ID x 1.125
15	74490544	Bolt Hex FGHD 5/16-18 x Gr. 5	158	165589	Bracket Shift Mount
16	73800500	Nut, Lock Hex w/Ins 5/16-18 unc	159	183900	Hub Shift
19	73800600	Nut, Lock Hex w/Ins. 3/8-16	161	72140406	Bolt Rdhd Sqnk 1/4-20 x 3/4 Gr. 5
21	130564	Knob	162	73680400	Nut Crownlock 1/4-20 unc
22	175607	Rod, Brake	163	74780416	Bolt Hex Fin 1/4-20 unc x 1 Gr. 5
24	73350600	Nut	165	165623	Bracket Pivot Lever
25	192036	Spring, Rod, Brake	166	17490510	Screw 5/16-18 x 5/8
26	19131316	Washer 13/32 x 13/16 x 16 Ga.	167	165588	Bracket Support Shift CRD
27	76020412	Pin, Cotter 1/8 x 3/4	168	165492	Bolt Shoulder 5/16-18 x .561
28	175765	Rod, Parking Brake	169	165580	Plate Fastening Lt
29	71673	Cap, Parking Brake	171	17490608	Screw Thdrol 3/8-16 x 1/2 Ty-Tt
30	169592	Bracket, Mfg. Transaxle	172	170271	Shaft Asm Shifter Frt CRD
34	175578	Shaft, Asm Pedal Foot CRD	177	165932	Keeper Flat Idler 3.06" CRD
35	120183X	Bearing, Nylon	178	165933	Keeper Belt Idler 1.88" CRD
36	19211616	Washer 21/32 x 1 x 16 Ga.	179	120958X	Washer Sintered
37	1572H	Pin, Roll 3/16 x 1"	180	165630	Pulley, Idler, Flat 1.88"CRD
38	165936	Pulley Flat Composite 3.06"	181	180211	Bracket Idler Ground Drive CRD
39	74760644	Bolt Fin Hex 3/8-16 unc x 2-3/4	182	182682	Keeper Belt 2.5" Od V-Idler CRD
40	4470J	Spacer, Split 395 x 59 Bzp	183	186007	Pulley V-Idler 2.50" Od CRD
42	19131312	Washer 13/32 x 13/16 x 12 Ga.	184	17490644	Screw Hexwsh 1hdrol 3/8-16 x 2-3/4
43	19111012	Washer 11/32 x 5/8 x 12 Ga.	185	170008	Link Shift
47	127783	Pulley, Idler, V Groove Plasic	186	165614	Hub Tapered Round CRD
48	154407	Bellcrank Clutch Grnd Drv	187	17580520	Screw Thdrol 5/16-18 x 1.25
49	123205X	Retainer, Belt Style Spring	197	169613	Nyliner Snap-In 5/8
50	72110612	Bolt, Carr. 3/8-16 x 1/2 x Gr. 5	199	169612	Bolt Shoulder 5/16-18 unc
51	73680600	Nut, Crownlock 3/8-16 unc	200	72140508	Bolt RDHD SQNK 5/16-18 x 1
52	73680500	Nut Crownlock 5/16-18	203	71170780	Bolt Hex 7/16-20 x 5
53	105710X	Link, Clutch 7.66	207	169845	Washer Nylon Rear
55	105709X	Spring, Return, Clutch	214	175609	Shaft Asm. Brake
56	17060620	Screw 3/8-16 x 1-1/4	215	175652	Rod Brake Hydro
57	170140	V-Belt Key 112" 0650 CRD	253	175028	Bracket, Cable
62	8883R	Cover, Pedal	254	17000616	Screw 3/8-16 x 1
65	10040700	Washer	255	175608	Brace Shaft Brake Mtg.
66	154778	Keeper, Belt Engine F-Proof	258	178062	Clip Retainer
71	169183	Strap, Torque, Lh	259	180212	Bracket Pulley
73	169182	Strap, Torque, Rh	261	131494	Pulley Idler Flat
74	137057	Spacer, Split	263	17000612	Screw 3/8-16 x 3/4
75	121749X	Washer 25/32 x 1-1/4 x 16 Ga.	264	181995	Bracket Clutch
76	12000001	Ring, E	265	182013	Spacer, Idler
77	123583X	Key, Square	266	182061	Shield, Idler
78	121748X	Washer 25/32 x 1-5/8 x 16 Ga.	267	72140626	Bolt Carr. 3/8-16 x 3-1/4
81	170006	Asm, Shaft	268	182402	Guard Muffler
82	165711	Spring, Torsion	275	19131614	Washer 13/32 x 1 x 14 Ga.
83	19171216	Washer 17/32 x 3/4 x 16 Ga.			
84	170007	Link, Transaxle			
95	170015	Control Asm Bypass Hydro			
96	4497H	Spring, Retainer 1"			

NOTE: All component dimensions given in U.S. inches
1 inch = 25.4 mm

REPAIR PARTS

TRACTOR- -MODEL NO. 917.277183

STEERING ASSEMBLY



steering_pl.it_29

REPAIR PARTS

STEERING ASSEMBLY

TRACTOR- -MODEL NO. 917.277183

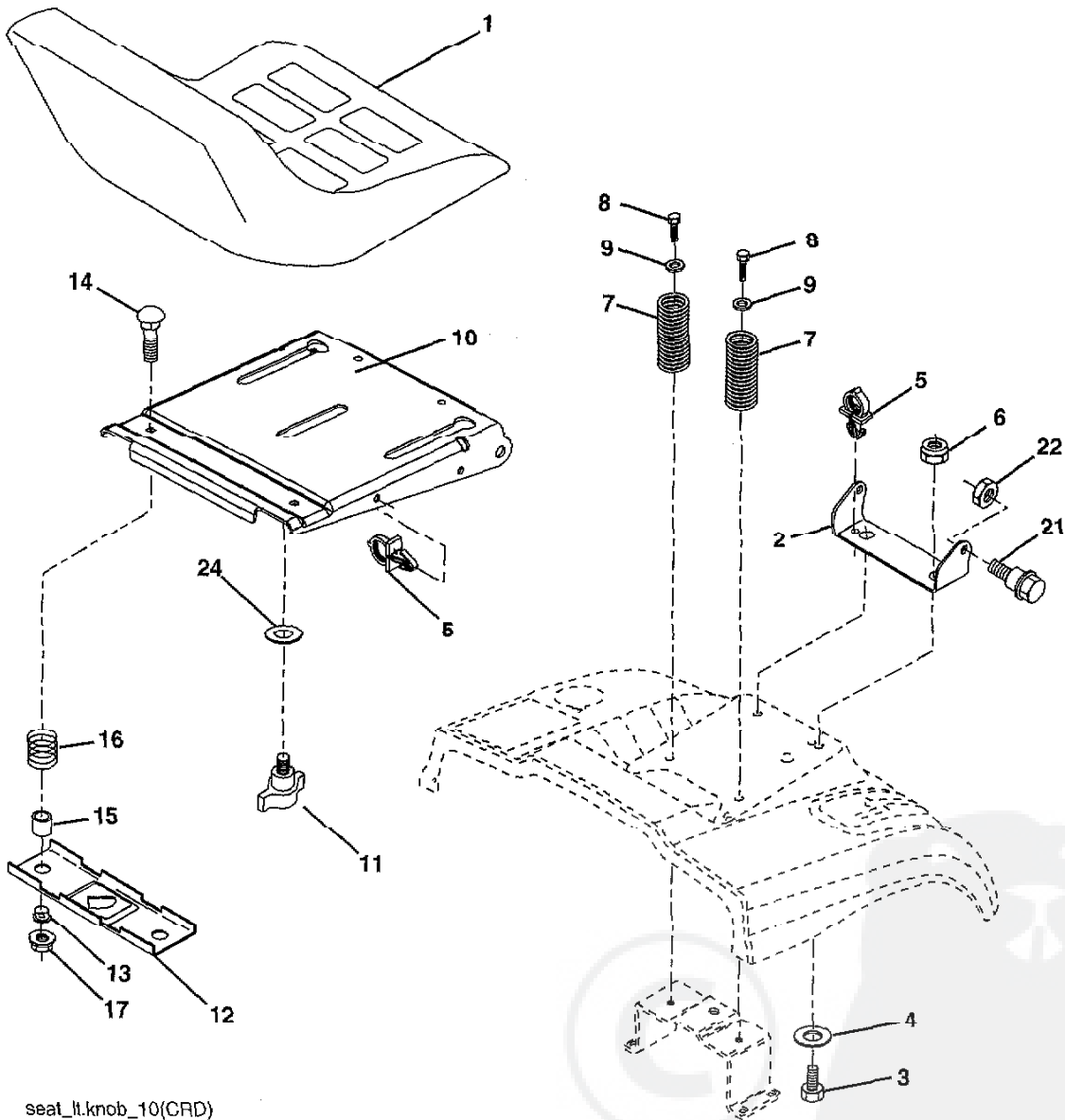
KEY NO.	PART NO.	DESCRIPTION
1	186780	Steering Wheel
2	184706	Front Axle Assembly
3	169840	Spindle Assembly, L.H.
4	169839	Spindle Assembly, R.H.
5	6266H	Bearing, Race, Thrust, Hardened
6	121748X	Washer 25/32 x 1-5/8 x 16 Ga.
8	12000029	Ring, Klip
10	175121	Link, Drag
11	STD551137	Washer, Lock
12	73940800	Nut Hex Jam Toplock 1/2-20 unf
13	136518	Spacer Axle
15	145212	Nut, Hexflange Lock
17	180641	Shaft Assembly, Steering
29	17000612	Screw, 3/8-16 x 3/4 SMGML Tap/R
32	170162	Rod, Tie
33	19111210	Washer 11/32 x 3/4 x 16 Ga.
34	10040500	Washer Lock Hvy Hlcl Spr 5/16
35	73540500	Nut Crownlock 5/16-24 unf
36	155099	Bushing, Steering
37	152927	Screw TT #10-32 x 5 x 3/8 Flange
38	186781	Cap Wheel Steering
39	19113812	Washer 11/32 ID x 2-3/8 OD x 12 Ga.
40	73540600	Nut Crownlock 3/8-24
41	180737	Adaptor, Steering Wheel
42	145054X428	Boot, Steering Dash
43	121749X	Washer 25/32 x 1-1/4 x 16 Ga.
44	180640	Extension Steering Non-Adjust
46	184946X505	Cap, Spindle
51	73540400	Nut Crownlock 1/4-28
54	71130420	Bolt 1/4-28 UNF x 1-1/4 Ga. 8
65	160367	Spacer Brace Axle
67	72110618	Bolt RDHD SQ 3/8-16 x 2-1/4
68	169827	Brace Axle
71	175146	Steering Asm.
82	169835	Bracket Susp Chassis Front
87	173966	Washer Flat .781 x 1-1/2 x .14
88	175118	Bolt Shoulder
91	175553	Clip Steering
95	188967	Washer Harden .739 x 1.637 x 060

NOTE: All component dimensions given in U.S. inches.
1 inch = 25.4 mm.

REPAIR PARTS

TRACTOR- -MODEL NO. 917.277183

SEAT ASSEMBLY



seat_ll.knob_10(CRD)

KEY NO.	PART NO.	DESCRIPTION
1	188716	Seat
2	180166	Bracket Pnt Pivot Seat (blk)
3	71110616	Bolt Fin Hex 3/8-16 unc x 1
4	19131610	Washer Flat 13/32 x 1 x 10 Ga.
5	145006	Clip Push In Hinged
6	73800600	Nut Lock Hex 3/8-16 Unc
7	124181X	Spring Seat Cprsn 2 250 Blk Zi
8	17000616	Screw 3/8-16 x 1
9	19131614	Washer 13/32 x 1 x 14 Ga.
10	180186	Pan Pnt Seat
11	166369	Knob Seat Adj Wingnut
12	121246X	Bracket Pnt Mounting Switch

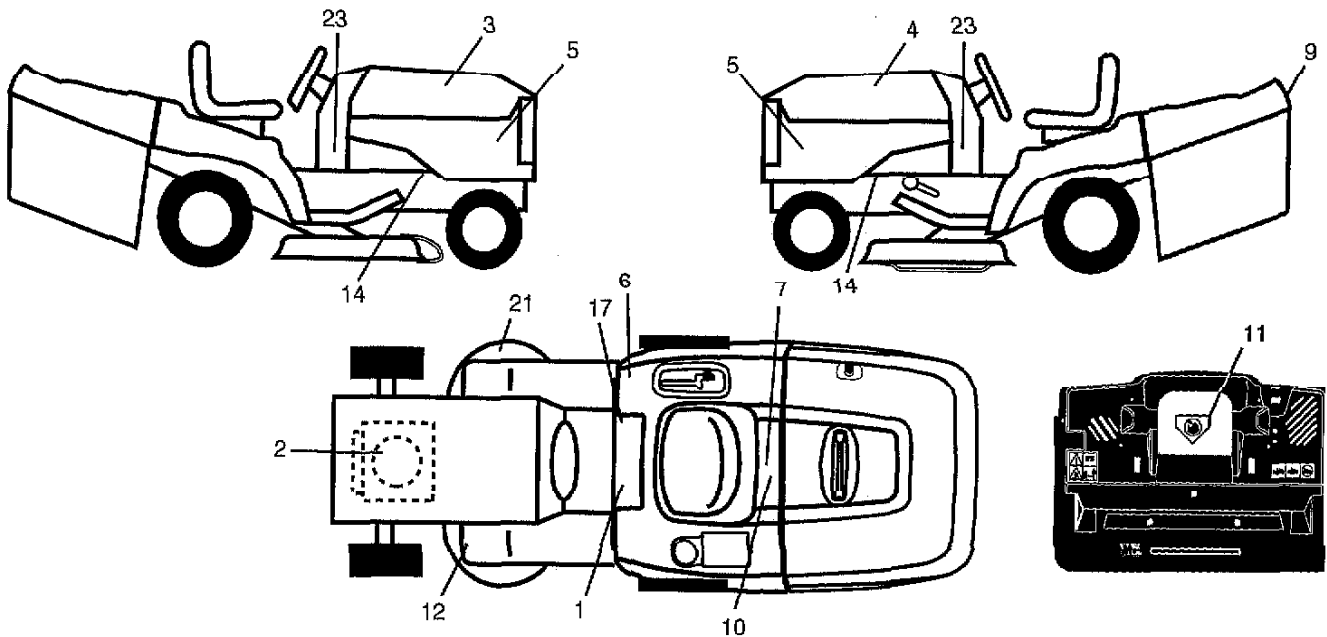
KEY NO.	PART NO.	DESCRIPTION
13	121246X	Dushing Gnap Blk Nyl 50 Id
14	72050412	Bolt Rdhd Sht Nk 1/4-20 x 1-1/2
15	134300	Spacer Split .28 x .96 Zinc
16	121250X	Spring Cprsn
17	123976X	Nut Lock 1/4 Lge Flg Gr. 5 Zinc
21	171852	Bolt Shoulder 5/16-18 unc-2A
22	73800500	Nut Hex Lock w/Ins 5/16-18
24	19171912	Washer 17/32 x 1-3/16 x 12 Ga.

NOTE: All component dimensions given in U.S. inches.
1 inch = 25.4 mm

REPAIR PARTS

TRACTOR- -MODEL NO. 917.277183

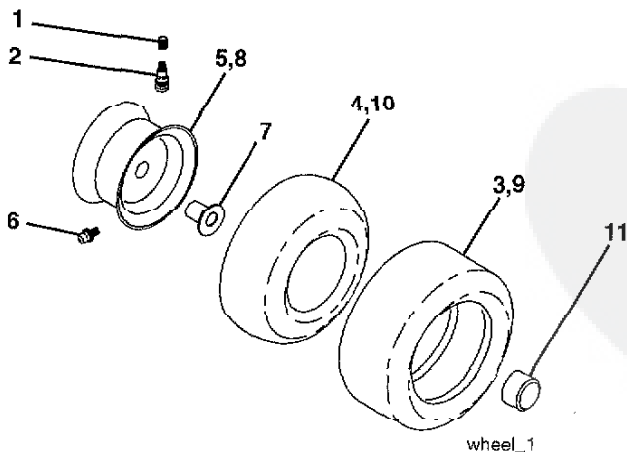
DECALS



KEY NO.	PART NO.	DESCRIPTION
1	145498	Decal Read Owner's Manual Sym
2	184847	Decal Hp Engine
3	184728	Decal Hood Rh
4	184729	Decal Hood Lh
5	184730	Decal Hood Side LT 1000
6	180432	Decal 100 DB/CE
7	166960	Decal Dypass Fender
9	184899	Decal Fender Logo
10	145005	Decal Bat Dan/Poi P/L Sym Wpn
11	182166	Decal Mower Cut Finger Symbol
12	159737	Decal Brake/Clutch Symbol Lt
14	159736	Decal Chassis Hot Muffler

KEY NO.	PART NO.	DESCRIPTION
17	140837	Decal Saddle Brake Parking
21	166286	Decal Deck Sch 92 CRD
23	181685	Decal Panel Dash
--	138311	Decal Lift Handle
--	179768X428	Pad Footrest LH
--	182621	Decal Bagger Frame Assy
--	179769X420	Footrest Pad RH
--	194283	Manual Operator's (Euro)
--	194284	Manual Operator's (Scand)
--	194285	Manual Parts

WHEELS & TIRES



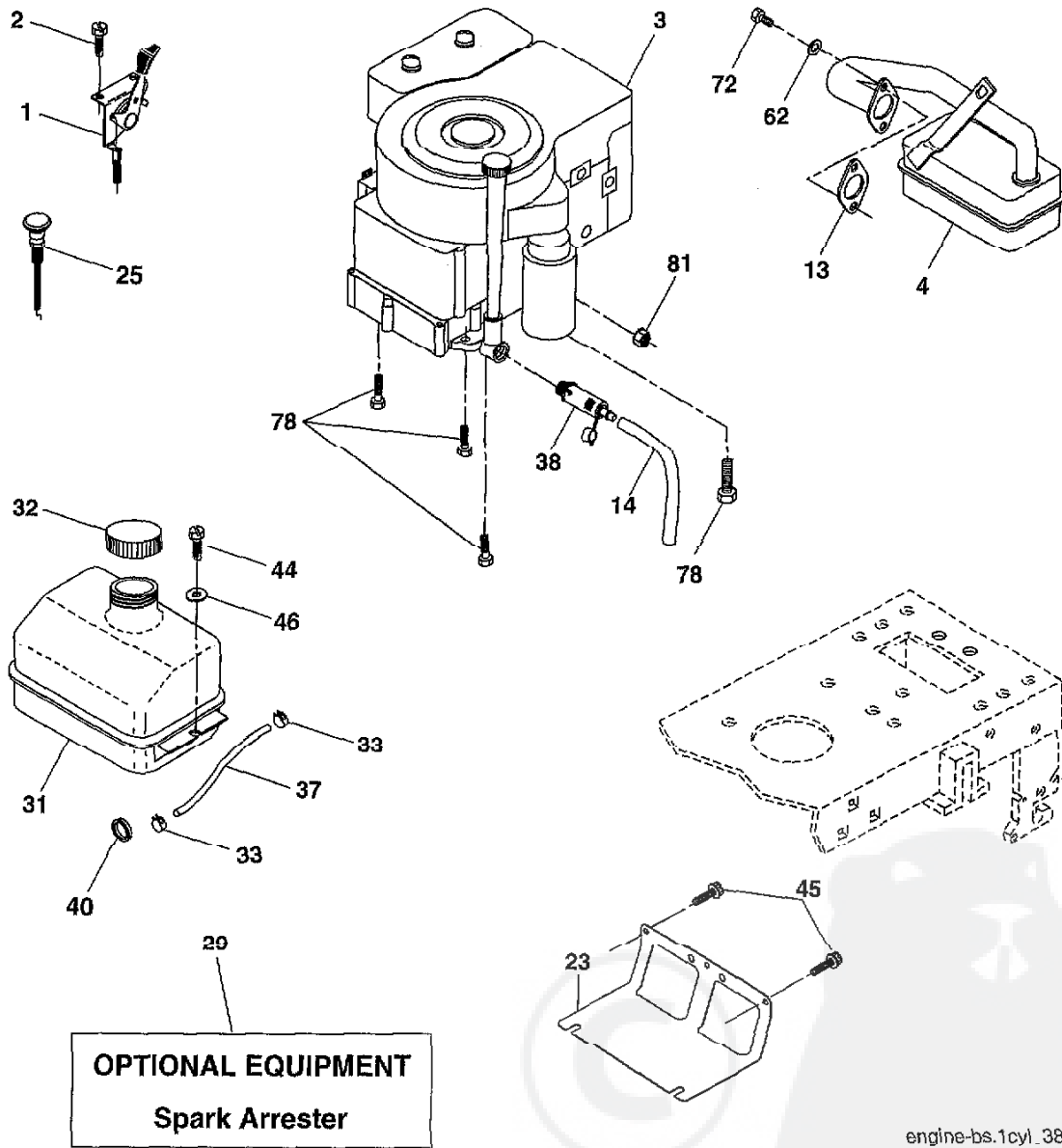
KEY NO.	PART NO.	DESCRIPTION
1	59192	Cap Valve Tire
2	65139	Stem Valve
3	106222X	Tire F Ts 15 x 6.0 - 6 Service
4	59904	Tube Inner Front #35000
5	106732X624	Rim Asm 6" front White Service
6	278H	Fitting Grease
7	9040H	Bearing Flange
8	106108X624	Rim Asm 8" rear White Service
9	122082X	Tire R Ts 20 x 10-8 Service
10	7152J	Tube Rear 9.5 x 8 Service
11	104757X428	Cap Axle Blk 1 50 x 1 00
--	144334	Sealant, Tire (10 oz. tube)

NOTE: All component dimensions given in U.S. inches
1 inch = 25.4 mm

REPAIR PARTS

TRACTOR- -MODEL NO. 917.277183

ENGINE



engine-bs.1cyl.38

KEY NO.	PART NO.	DESCRIPTION
1	170545	Control Throttle
2	17720408	Screw Hex Thd Cut 1/4-20 x 1/2
3	-----	Engine Briggs Model 282H07-U239-E1 (See Breakdown)
4	137352	Muffler Exhaust B&S Lt
13	165291	Gasket 1 313 Id Tin Plated
14	148456	Tube Drain Oil Easy
23	169837	Shield Browning/Debris Guard
25	187770X428	Control Choke
29	137180	Arrestor Spark
31	187750	Tank Fuel 1.25 Fr
32	140527	Cap Asm Fuel
33	123487X	Clamp Hose Blk

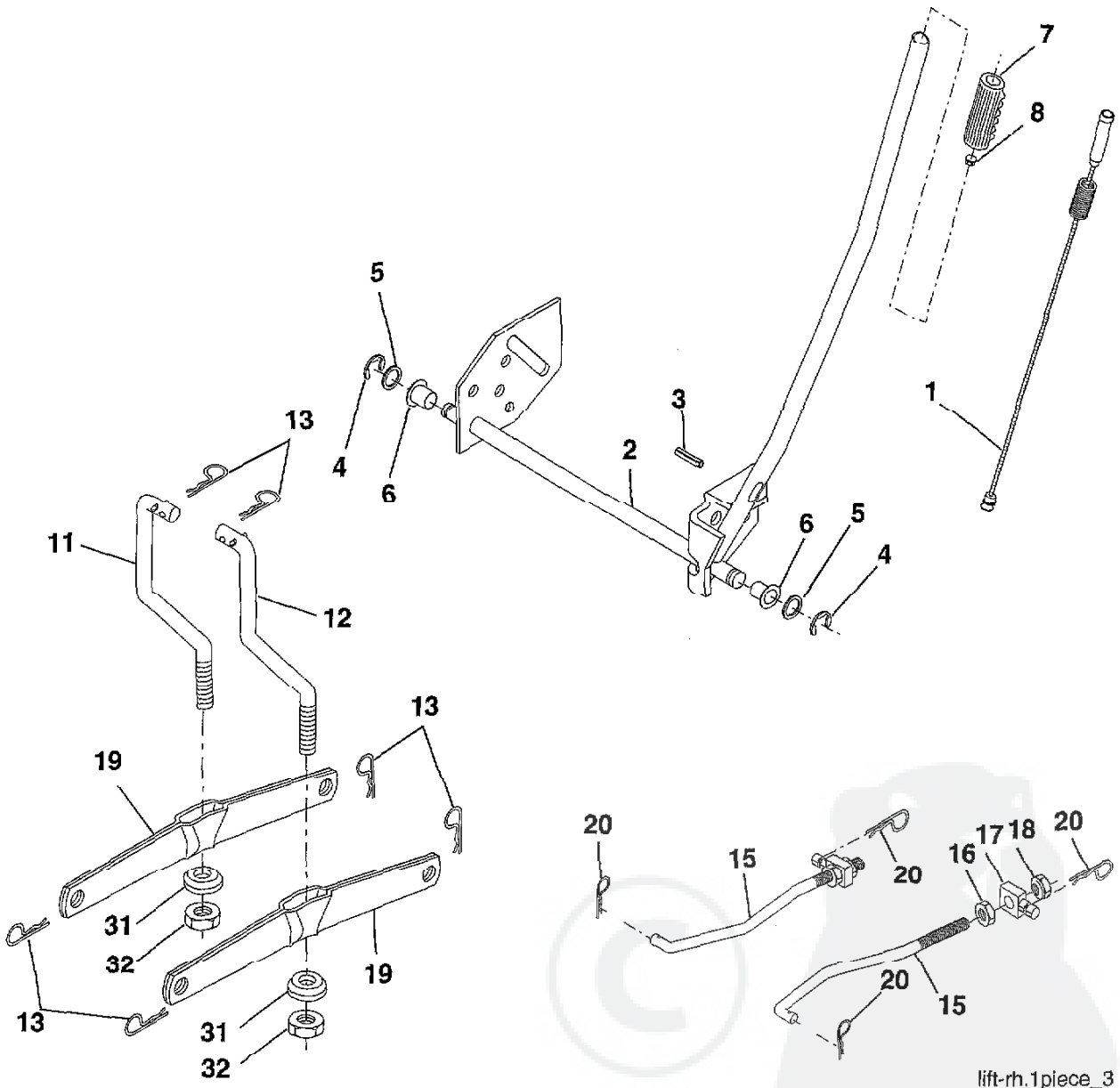
KEY NO.	PART NO.	DESCRIPTION
37	137040	Line Fuel 20"
38	181654	Plug Oil Drain Easy
40	124028X	Bushing Snap
44	17670412	Screw Hexwsh Thdr 1/4-20 x 3/4
45	17000612	Screw Hexwsh Thdr 3/8-16 x 3/4
46	19091416	Washer 9/32 x 7/8 x 16 Ga.
62	10010500	Washer Split
72	71070512	Screw Hex Hd Cap 5/16-18 x 3/4
78	17060620	Screw 3/8-16 x 1-1/4
81	73510400	Nut Keps 1/4-20 unc

NOTE: All component dimensions given in U.S. inches
1 inch = 25.4 mm

REPAIR PARTS

TRACTOR- -MODEL NO. 917.277183

MOWER LIFT



lift-rh.1piece_3

KEY NO.	PART NO.	DESCRIPTION
1	159460	Washer Asm Inner Spring W/Plunger
2	159471	Shaft Asm. Lift
3	105767X	Pin Groove
4	STD581062	E Ring #5133-62
5	19211621	Washer 21/32 x 1 x 21 Ga.
6	120183X	Bearing Nylon
7	125631X	Grip Handle
8	124526X	Button Plunger Black
11	165829	Link Asm Lift L.H.
12	165831	Link Asm Lift R.H.
13	STD621008	Retainer Spring

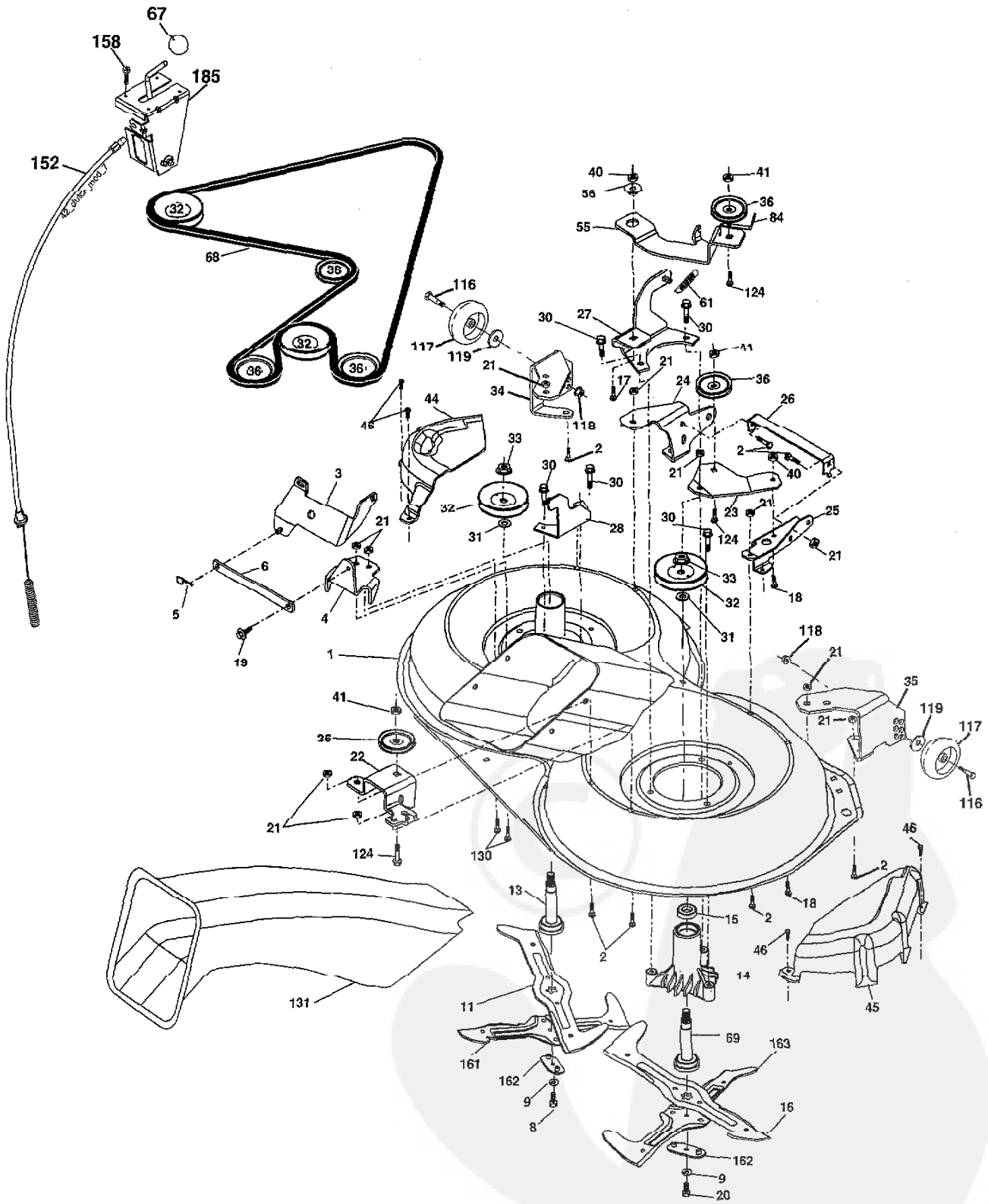
KEY NO.	PART NO.	DESCRIPTION
15	173288	Link Front
16	73350800	Nut Jam Hex 1/2-13 unc
17	175689	Trunnion Blk Zinc
18	73800800	Nut Lock w/wsh 1/2-13 unc
19	139868	Arm Suspension Mower
20	163552	Retainer Spring
31	169885	Bearing, Pvt. Lift.
32	73540600	Nut Crownlock 3/8-24

NOTE: All component dimensions given in U.S. inches
1 inch = 25.4 mm

REPAIR PARTS

TRACTOR- -MODEL NO. 917.277183

MOWER



REPAIR PARTS

TRACTOR- -MODEL NO. 917.277183

MOWER

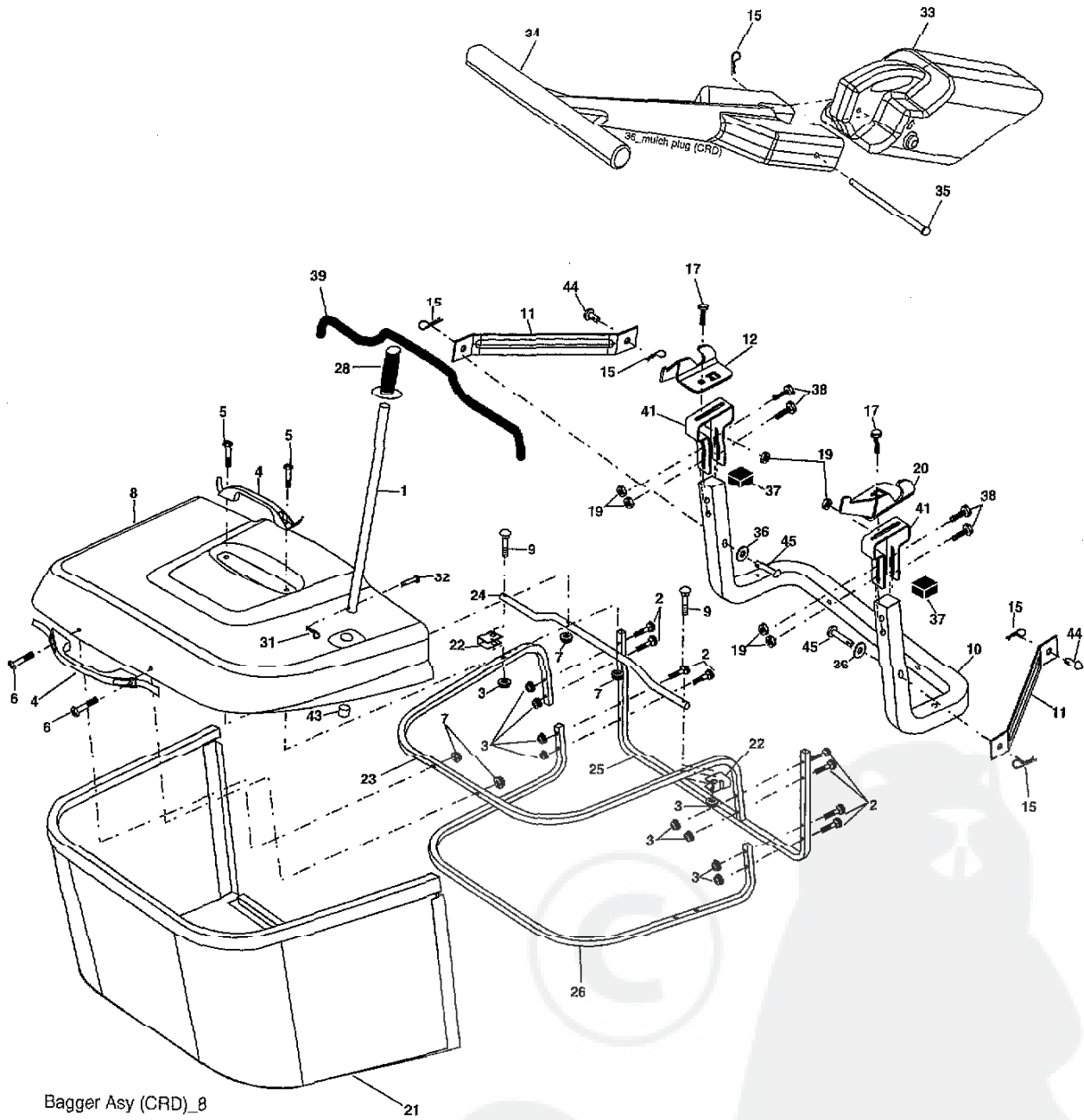
KEY NO.	PART NO.	DESCRIPTION	KEY NO.	PART NO.	DESCRIPTION
1	165552	Housing Asm. Mower 92 CRD	55	165445	Arm Idler 92 CRD
2	72140506	Bolt Rdhd Sqnk 5/16-18 unc x 3/4	56	165723	Spacer Retainer Mower
3	165569	Bracket Asm. S-Bar Chass 92 CRD	61	165945	Spring Tension Belt
4	165558	Bracket Bar Sway Deck 92 CRD	67	106932X	Knob Rd 3/8-16 Plstdc Thds Blk
5	4939M	Retainer Spring	68	180217	Hex-Belt 92 Mower
6	165557	Bar Sway 92 CRD	69	165482	Shaft Asm W/Lwr Brg Rh Thd CRD
8	181712	Boit 3/8-24 x 1.25 Gr. 8 Patched	84	156085	Keeper Belt Idler
9	10030600	Washer Lock Hvy 3/8 Unplated	116	184219	Bolt Shoulder
11	186385	Blade 92 CRD	117	174873	Wheel Gage
13	137645	Shaft Asm. W/Lower Bearing	118	73930600	Nut Centerlock 3/8-16 unc
14	128774	Housing Mandrel Vented (Machd)	119	19121414	Washer 3/8 x 7/8 x 14 Ga.
15	110485X	Bearing Ball Mandrel	124	72110612	Bolt Carr Sh 3/8-16 x 1-1/2 Gr. 5
16	186386	Blade 3-1 Rh 92 CRD	130	72110506	Bolt Rdhdsqnk 5/16-18 unc x 3/4
17	72140610	Bolt Carriage 3/8-16 x 1-1/4	131	165661	Chute Bagger CRD 92 cm
18	72110606	Boit Hdhd Sqnk 3/8-16 x 3/4	152	176074	Cable Clutch CRD Service
19	132827	Bolt Shoulder 5/16-18 Thd Form	158	17720408	Screw Thd Cut 1/4-20 x 1/2
20	181713	Boit 3/8-24 x 1.25 Gr. 8 Pch Lhthd	161	186387	Blade Cross LH
21	73680500	Nut Crown Lock 5/16-18	162	180878	Adapter Blade Cross
22	165243	Bracket Idler Sprt RH 92 CRD	163	186388	Blade Cross RH
23	165446	Bracket Idler Sprt RF 92 CRD	185	188234	Head Asm Cable Clutch
24	165242	Bracket Suspension LF 92 CRD	--	181857	Mandrel Asm Service (Includes Housing, Shaft and Shaft Hardware Only - Pulley Not Included)
25	165244	Bracket Suspension RF 92 CRD	--	181858	Mandrel Asm CRD Lh Threads SVC
26	165237	Brace Support Susp Frt CRD	--	188523	Replacement Mower Complete (Order separately gauge wheel components key nos. 116-119)
27	165568	Bracket Asm. Susp RR 92 CRD			
28	165567	Bracket Asm. Susp LR 92 CRD			
30	173984	Screw Thd Rolling Washer Head			
31	187690	Washer Spacer			
32	153531	Mandrel Pulleys 36 & 46			
33	178342	Nut Flg Top Lock Cntr B 9/16			
34	165239	Bracket Gauge Wheel Lf 92 CRD			
35	165238	Bracket Gauge Wheel Rf 92 CRD			
36	146763	Pulley Idler V-Groove Dim 4.25			
40	73680600	Nut Crownlock 3/8-16 unc			
41	73900600	Nutlock Flg 3/8-16 unc			
44	175538	Cover Mandrel Lh 92 CRD			
45	175539	Cover Mandrel Rh 92 CRD			
46	137729	Screw Thd Roll 1/4-20 x 5/8			

NOTE: All component dimensions given in U.S. inches
1 inch = 25.4 mm

REPAIR PARTS

TRACTOR- -MODEL NO. 917.277183

BAGGER



REPAIR PARTS

TRACTOR- -MODEL NO. 917.277183

BAGGER

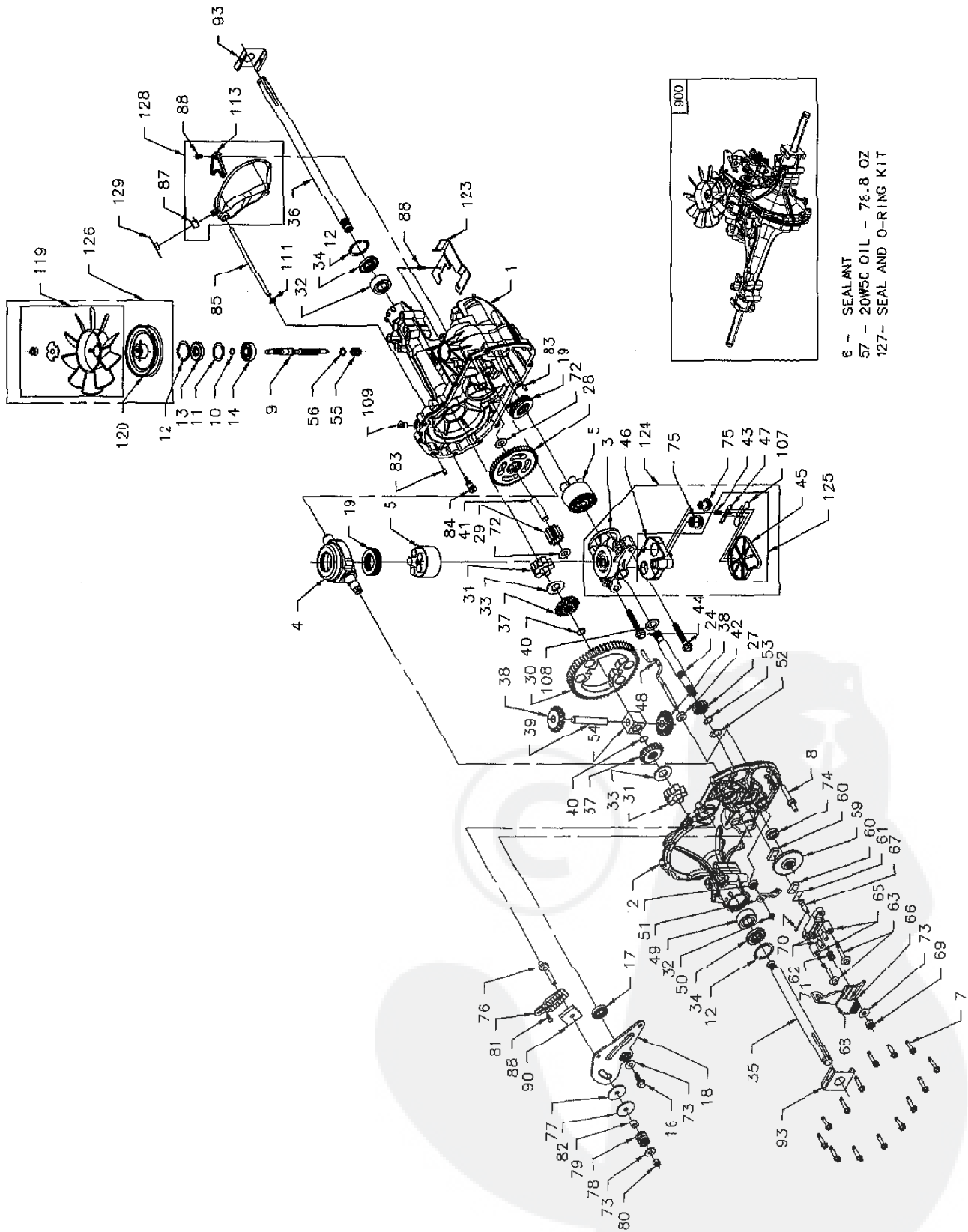
KEY NO.	PART NO.	DESCRIPTION
1	165249	Tube Handle Bagger CRD
2	72140416	Bolt Carriage 1/4-20 x 2.0 Gr. 5
3	123976X	Nut Lock 1/4 Lge Flg Gr. 5 Zinc
4	169916	Handle Bagger
5	74981024	Screw Pan Head #10-24 x 1.50 Blk
6	74981032	Screw Pan Hd
7	73401000	Nut Wiz Lock Hex Serr/Hd 10-24
8	169963X558	Cover Bagger Steel CRD
9	72140418	Bolt Carriage 1/4-20 x 2.25d x Gr. 5
10	181282	Tube Support Bagger CRD
11	165719	Bracket Support Upper Bag CRD
12	188848	Bracket Pivot Bagger Lh CRD
15	4939M	Retainer Spring
17	STD533107	Bolt Rdhd Sht Sqnk 5/16 -18 unc x 3/4
19	73900500	Nut Lock Hex Flange 5/16-18
20	188847	Bracket Bagger RH CRD
21	180880	Bag Asm CRD
22	165781	Bracket Side Bagger CRD
23	165782	Tube Upper Bagger CRD
24	165783	Tube Pivot Bagger CRD
25	180124	Tube Front Bagger CRD
26	165785	Tube Lower Bagger CRD
28	165787	Grip Handle Black
31	169484	Retainer Clip
32	126875X	Rivet Rd Hd Drilled 3/8 Dia
33	165571	Plug Mulcher
34	165570	Handle Mulcher
35	165572	Pin Mulcher
36	19132016	Washer 13/32 x 1-1/4 x 16 Ga.
37	175401	Plug Support Bagger CRD
38	72010520	Bolt 5/16-18 x 5.20
39	180985	Seal 37"
41	169683	Bracket Vert Adj Bagger CRD
43	174083	Plug Tubing End
44	193312	Pin Clevis 3/8 x 11/16
45	193313	Pin Clevis 3/8 x 2.00

NOTE: All component dimensions given in U.S. inches
1 inch = 25.4 mm

REPAIR PARTS

TRACTOR- -MODEL NO. 917.277183

TRANSAXLE HYDRO GEAR - MODEL NUMBER 321-0510



REPAIR PARTS

TRACTOR- -MODEL NO. 917.277183

TRANSAXLE HYDRO GEAR - MODEL NUMBER 321-0510

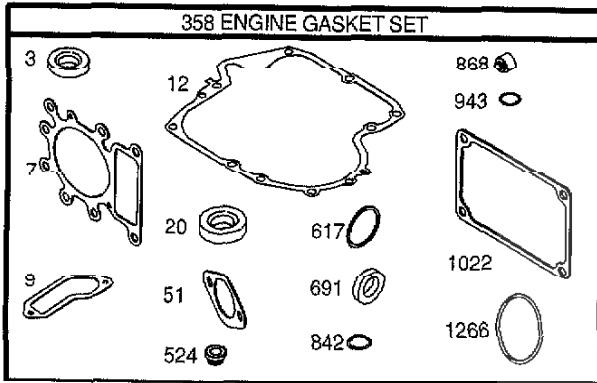
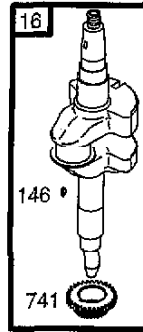
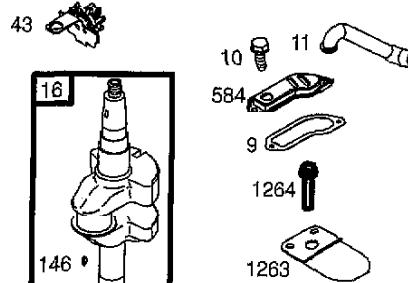
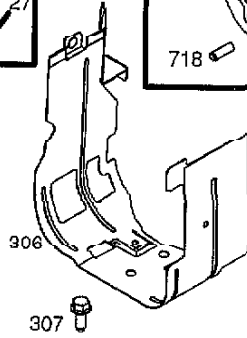
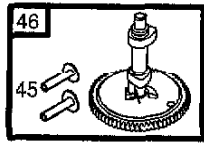
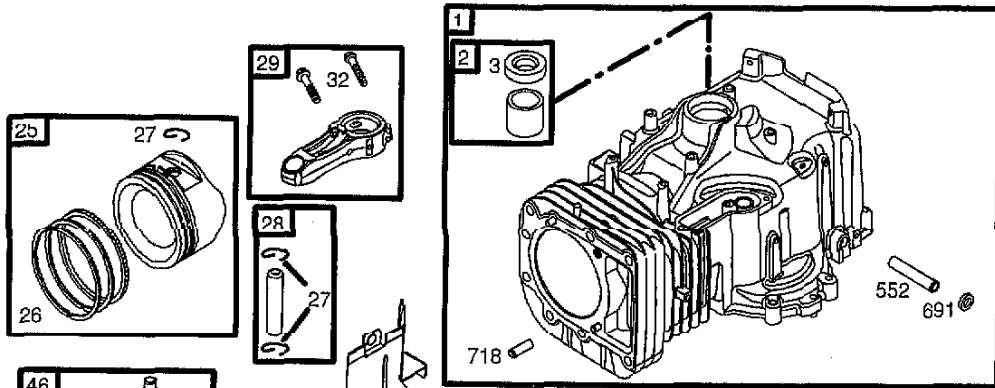
KEY NO.	PART NO.	DESCRIPTION	KEY NO.	PART NO.	DESCRIPTION
1	170351	Kit, Main Housing	67	170413	Bolt, Square Head - Brake
		Main Housing, Machined	68	178157	Arm, Brake
		Bushing .855 X .985 X .790	69	170415	Nut, Castle 5/16-24
2	170352	Kit, Side Housing, Side Housing, Machined, Bushing .865 X .985 X .790	70	170416	Pin, Cotter 3/32x3/4
		Bushing .624 X .719 X .562	71	170417	Brake Spring
3	170353	Kit, Center Section, Center Section, Machined, Bushing .707 X .788 X .591	72	170418	Washer (310-0750)
4	170354	Swashplate, Trunnion Machined	73	142884	Washer, Flat
5	169898	Kit, Cylinder Block (10cc), Block - Cylinder, Piston, Spring, Compression Washer - Thrust	74	170419	Seal, Oil
		Sealant Tube	75	170420	Ass'y Check Plug
6	178322	Hexflange Screw 1/4-20 X 1.25	76	170421	Bolt, Stud 5/16-24
7	170356	Stud, 5/16-24 Hex Double End	77	170422	Puck, Friction
8	170357	Shaft, Input	78	142969	Spring
9	170358	Retaining Ring	79	142980	Spacer
10	170359	Spacer	80	150778	Nut, Nylon Insert Hex Lock 5/16-24
11	170360	Retaining Ring	81	170423	Wedge, Friction
12	169870	Seal, Lip .67 X 1.58 X .276	82	170424	Clip, Washer
13	170361	Bearing, Ball 6203 (Bdr)	83	161168	Pin
14	173158	Hex Flange Head Screw 1/4-20 X 1.25	84	170425	Fitting, 5/16 X Sae 5/32 Tube
16	170362	Seal, Lip 18 X 32 X 7	85	170426	Hose, Expansion Tank
17	170363	Arm, Control	87	173160	Cap, Vent
18	170364	Bearing, Thrust (10cc)	88	178334	Bolt, Self Tapping (BDR)
19	173159	Shaft Motor	90	170430	Puck, Inner Wedge
24	170366	Gear, Pinion, 13t	91	170431	Spring Clip, Housing
27	170367	10t / 48t Gear	107	170432	Deflector
28	170368	Gear, 10t Jackshaft	108	170433	Washer, Motor Shaft .71id X 1.15od X .03 Thick
29	170369	00t Dullgear	109	170434	Plug, Straight Thread 9/16-18
30	170370	Sleeve Bearing .75 X 1.75 X .625	111	170435	O-ring .7 X .301 Id
31	170371	Sleeve Bearing (Outboard) .75 X 1.575 X .625	113	170437	Bracket, Support Expansion Tank
32	170389	Washer	119	191031	Kit, Fan - Washer - Nut, Washer, Od Slotted .53 X 1.63 X .06, Hex Lock Nut 1/2-20 (Nylon Insert), Fan 7"
33	142991	Lip Seal, Axle Shaft	120	178159	Pulley
34	170390	Shaft, Axle (Keyed, R.h.)	123	178160	Bracket, Belt Keeper
35	170391	Shaft, Axle (Keyed, L.h.)	124	191033	Kit, Centersection, Filter Bypass, Center Section Machining, Base Filter W/ Poppet, Check Plug Assembly, .027 Washer Spring, Bypass, Actuator, Bypass Deflector, Bottom, Filter
36	170392	Gear, Splined Diff. (210-1000 & 310-0750)	125	170445	Bushing, .707 X .788 X .591
37	150792	Gear, Miter Diff. (210-1000 & 310-0750)	126	191029	Kit, Filter, Bottom, Filter, Base, Filter W/ Poppet, Spring, Bypass, Actuator, Bypass, Deflector
38	150793	Differential Shaft (310-0750)	127	170447	Kit, Fan/pulley, Hex Jam 1/20-20 (Nylon Insert), Washer, Od Slotted, .53 X 1.53 X .06, Fan, 7 In, Pulley
39	150809	Retaining Ring			Kit, Seal
40	170393	Pin, Jackshaft			Lip Seal .67 X 1.58 X .276
41	170394	Magnet, Ring			Lip Seal 18 X 32 X 7
42	170395	Spring, Bypass			Lip Seal .706 X 1.584 X .25
43	170396	Bolt 3/8-24 X 2-1/2			Lip Seal .741 X .250 X .250 Tc
44	150797	Filter			Oil Seal .625 X 1.0 X .25
45	170397	Base, Filter			O-ring .07 X .301 ID
46	170398	Actuator, Bypass	128	173165	Kit, Expansion Tank
47	170399	Rod, Bypass Actuator			Tank, Expansion Assembly
48	170400	Arm, Bypass			Cap, Vent
49	178156	Retaining Ring .25 External			Vsbolt, Self Tapping 10-32 X 1/2
50	170402	Seal, Lip .741 X .25 X .25			Bracket, Support Expansion Tank
51	170403	Washer, Flat 0.050" (210-1000)			Cap, Expansion Tank Shipping
52	170404	Retaining Ring	129	191032	Transaxle
53	170405	Bearing, Center Block			
54	170406	Spring, Helical Compression			
55	142977	Washer, Block Thrust			
56	142978	20W-50 0 1 78.80oz			
57	----	Kit, Brake Yoke	900	170061	
58	142929	Rotor, Brake			
59	170408	Brake Puck			
60	142883	Brake Puck Plate			
--	142882	Pin, Brake Actuating			
62	170409	Washer, Self Tapping 10-32 X 1/2			
63	170410	Spacer, Brake Torsion Spring			
65	170411	Spring, Brake Arm Bias			
66	188297				

NOTE: All Component Dimensions Given In U.S. Inches 1 Inch = 25.4 mm

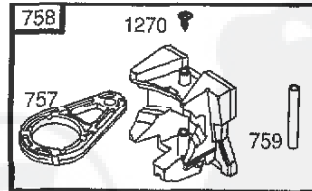
REPAIR PARTS

TRACTOR--MODEL NO. 917.277183

BRIGGS & STRATTON ENGINE -- MODEL NUMBER 262H07, TYPE NUMBER 0239-E1



24

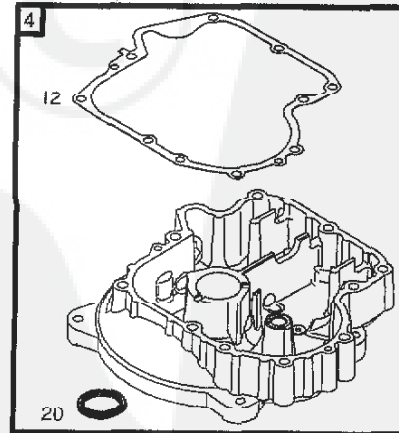


1019 LABEL KIT

1058 OWNER'S MANUAL

1036 EMISSION LABEL

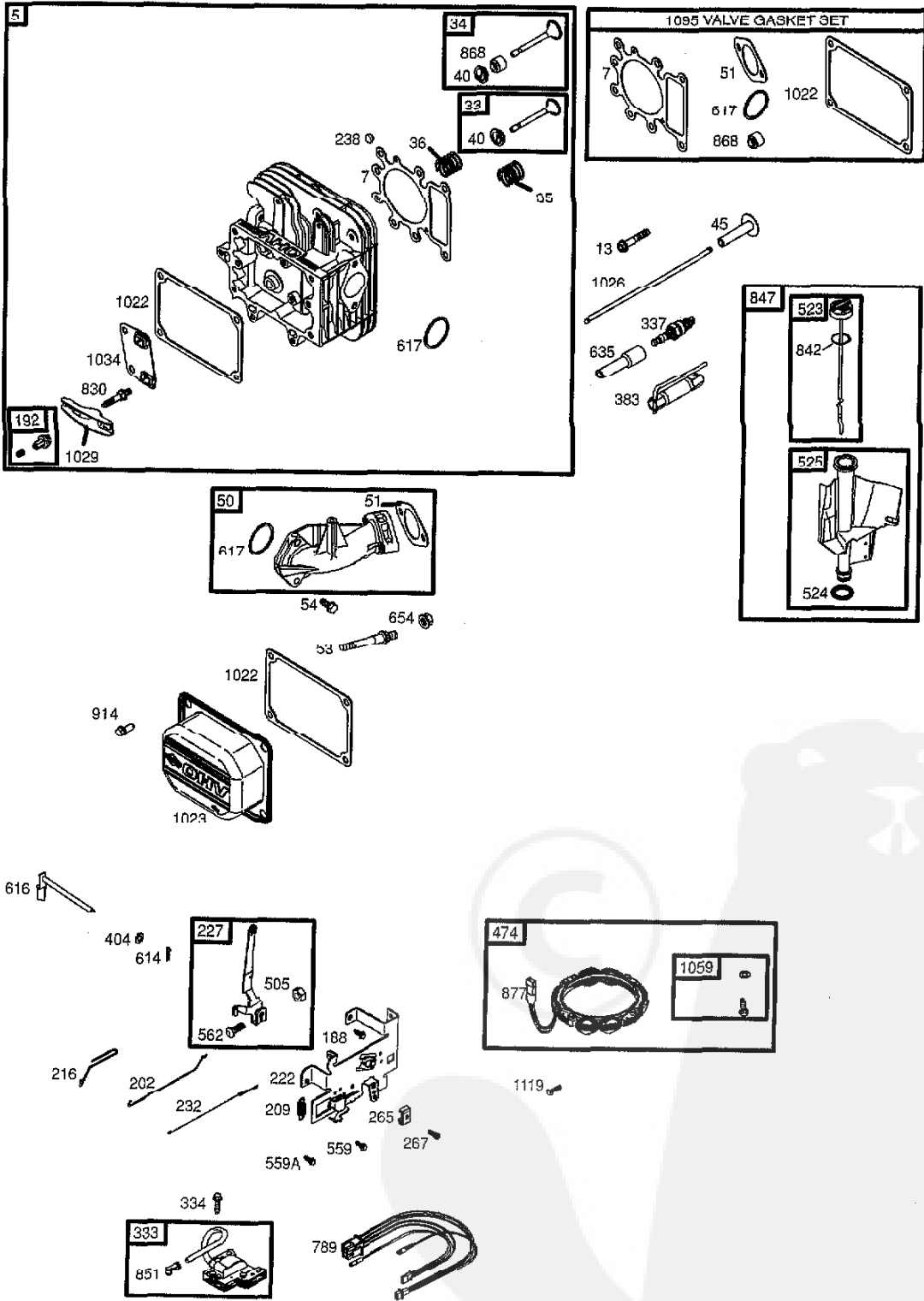
15



REPAIR PARTS

TRACTOR--MODEL NO. 917.277183

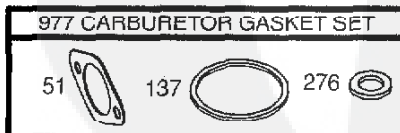
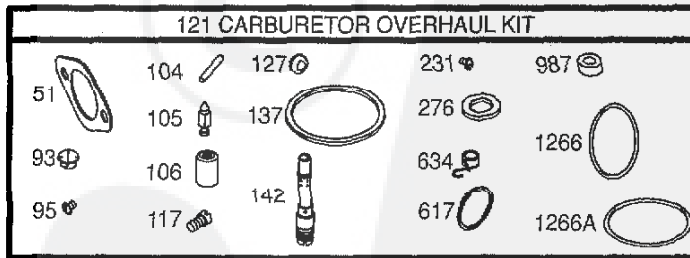
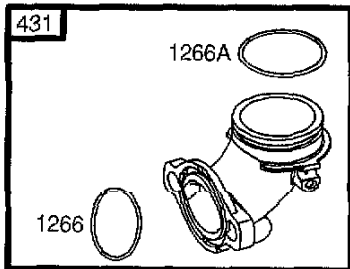
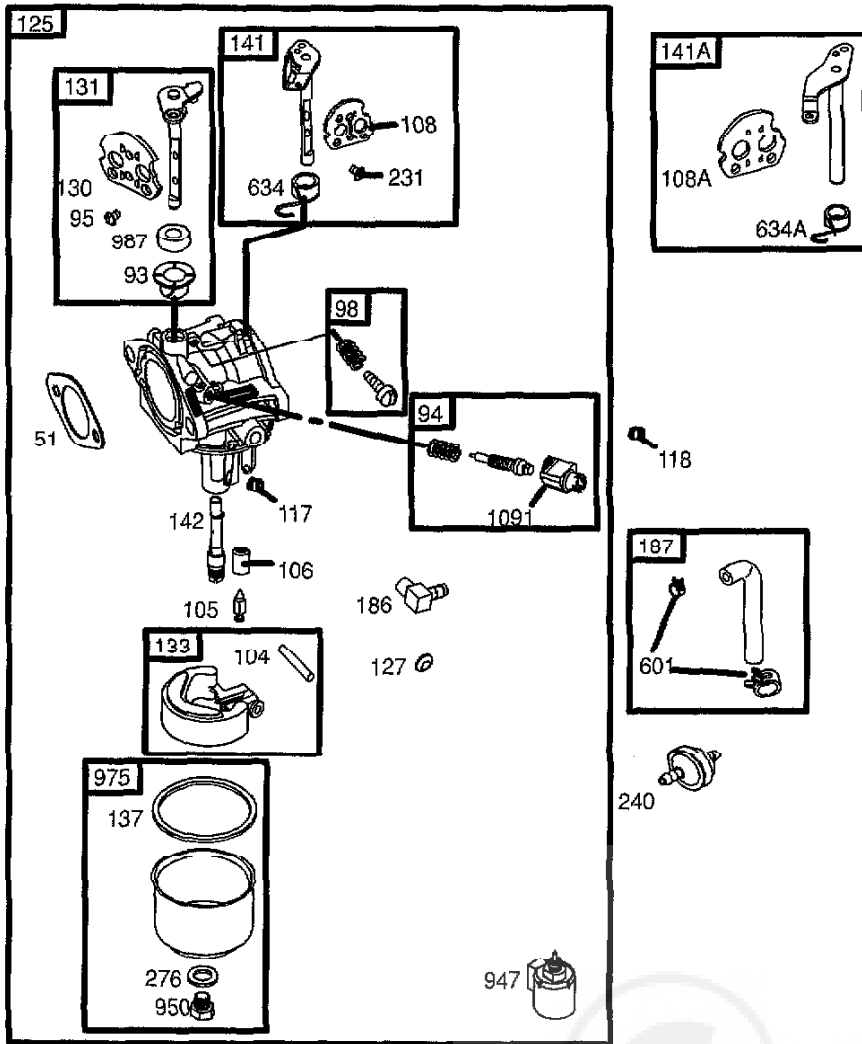
BRIGGS & STRATTON ENGINE -- MODEL NUMBER 282H07, TYPE NUMBER 0239-E1



REPAIR PARTS

TRACTOR- -MODEL NO. 917.277183

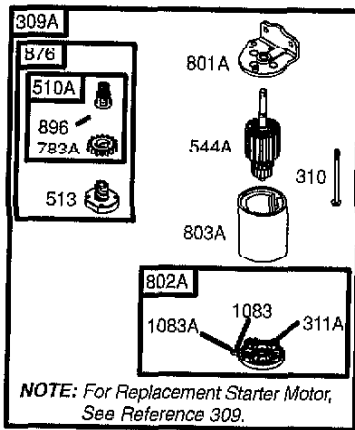
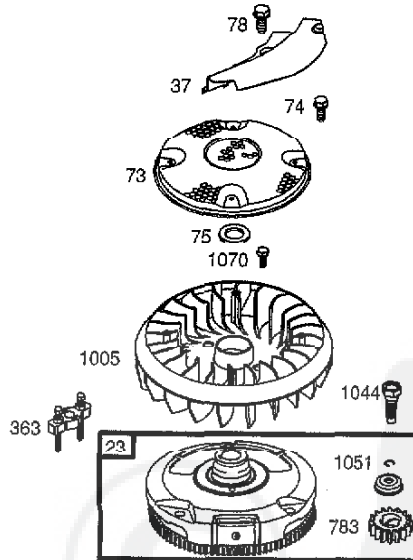
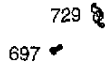
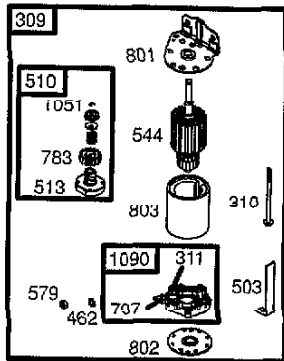
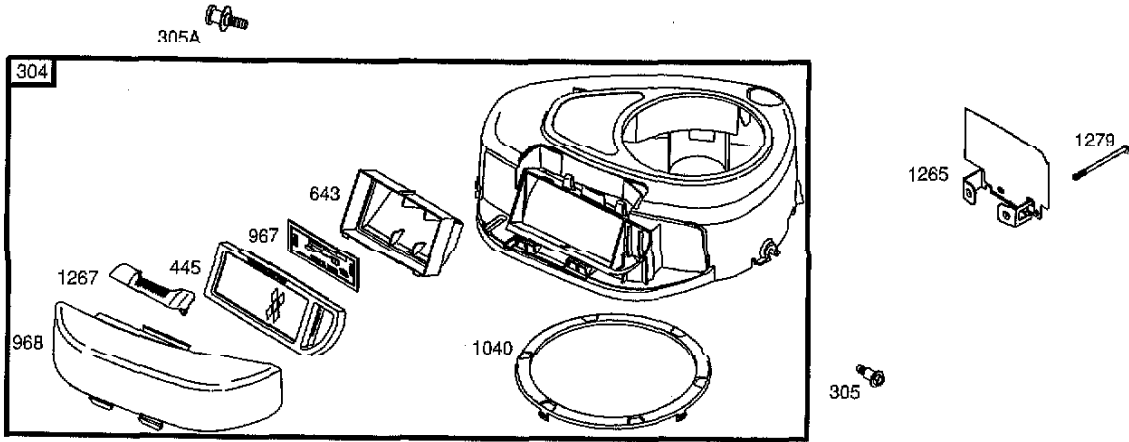
BRIGGS & STRATTON ENGINE - - MODEL NUMBER 282H07, TYPE NUMBER 0239-E1



REPAIR PARTS

TRACTOR- -MODEL NO. 917.277183

BRIGGS & STRATTON ENGINE - - MODEL NUMBER 282H07, TYPE NUMBER 0239-E1



LIMITED WARRANTY ON CRAFTSMAN RIDING EQUIPMENT

For two (2) years from the date of purchase, if this Craftsman Riding Equipment is maintained, lubricated and tuned up according to the instructions in the owner's manual, Sears will repair or replace free of charge any parts that are found to be defective in material or workmanship according to the guidelines of coverage listed below. Sears will also provide free labor for these applicable warranted parts for the two full years. During the first 30 days of purchase, there will be no charges to service the product at your home for issues covered by this warranty. (See exclusions below). For your convenience, IN HOME warranty service will still be available after the first 30 days of purchase, but a trip charge will apply. This charge will be waived if the Craftsman product is dropped off at an authorized Sears location. For the nearest authorized Sears location, please call 1-800-4-MY-HOME®. This warranty applies only while this product is within the United States.

This Warranty does not cover:

- Expendable items which become worn during normal use, including but not limited to blades, spark plugs, air cleaners, belts, and oil filters.
- Standard Maintenance Servicing, oil changes, or tune ups
- Tire replacement or repair caused by punctures from outside objects, such as nails, thorns, stumps, or glass.
- Repairs necessary because of operator abuse, including but not limited to, damage caused by towing objects beyond the capability of the riding equipment, impacting objects that bend the frame or crankshaft, or over-speeding the engine.
- Repairs necessary because of operator negligence, including but not limited to, electrical and mechanical damage caused by improper storage, failure to use the proper grade and amount of engine oil, failure to keep the deck clear of flammable debris, or failure to maintain the equipment according to the instructions contained in the owner's manual.
- Engine (fuel system) cleaning or repairs caused by fuel determined to be contaminated or oxidized (stale). In general, fuel should be used within 30 days of its purchase date.
- Normal deterioration and wear of the exterior finishes, or product label replacement.
- Riding equipment used for commercial or rental purposes.

LIMITED WARRANTY ON BATTERY

For ninety (90) days from date of purchase, if any battery included with this riding equipment proves defective in material or workmanship and our testing determines the battery will not hold a charge, Sears will replace the battery at no charge. During the first 30 days of purchase, there will be no charges to replace the battery at your HOME. After the first 30 days, for your convenience, IN-HOME warranty service will still be available but a trip charge will apply. This charge will be waived if the Craftsman product is dropped off at an authorized Sears location. For the nearest authorized Sears location, please call 1-800-4-MY-HOME®.

This battery warranty applies only while this product is within the United States.

This warranty gives you specific legal rights, and you may also have other rights, which vary, from state to state.

Sears, Roebuck and Co., Dept. 817WA, Hoffman Estates, IL 60179



CRAFTSMAN®