

REPAIR PARTS MANUAL
MODEL NO. 256990
Lawn Tractor

LT2000

CRAFTSMAN®

412941 02.20.07 CL
PRINTED IN U.S.A.

HOW TO USE THIS MANUAL

This manual is designed to provide the customer with a means to identify the parts on his/her tractor when ordering repair parts. The illustrations may or may not represent the actual assemblies; therefore, it is not recommended to use this manual as a guide to assemble or disassemble the tractor. Some hardware and parts are drawn larger in order to more readily identify them.

Each tractor has its own model number.

The model number for your tractor can be found on the fender under the seat.

When ordering parts, always give the following information:

- Product - "Tractor"
- Model Number - "256990"
- Part Number
- Part Description

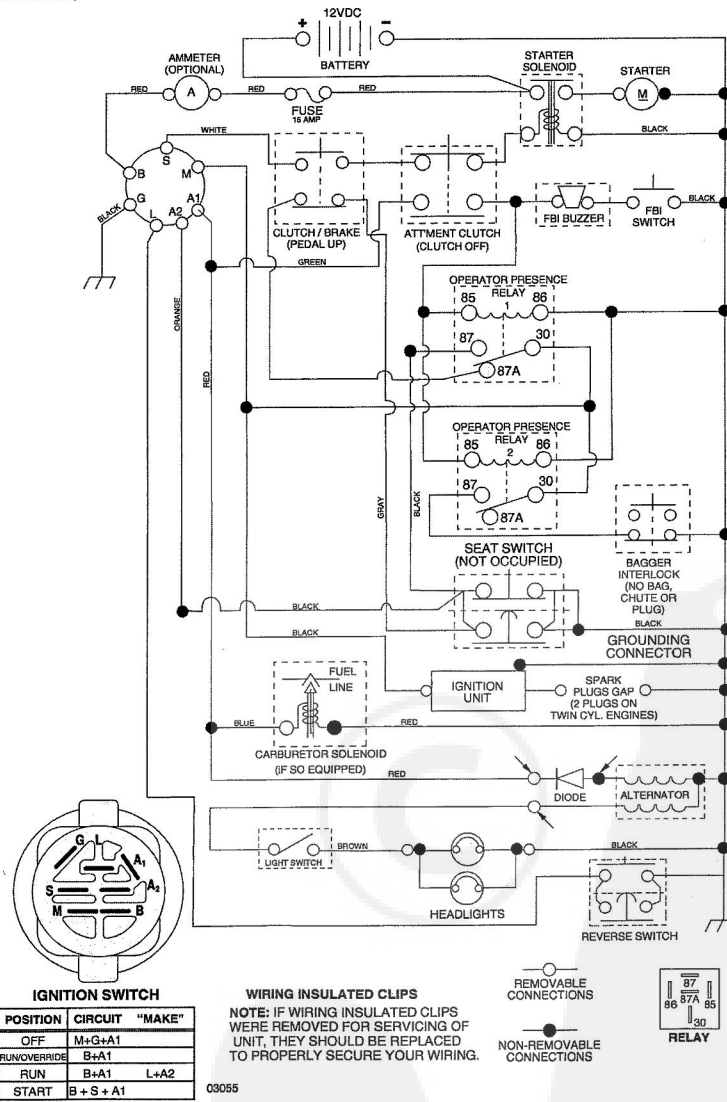
TABLE OF CONTENTS

SCHEMATIC	3
ELECTRICAL.....	4-5
CHASSIS	6-7
DRIVE.....	8-9
STEERING.....	10-11
SEAT	12
DECALS.....	13
ENGINE.....	14-15
MOWER LIFT.....	16-17
MOWER DECK.....	18-19
BAGGER.....	20-21
TRANSAXLE.....	22-23
ENGINE BREAKDOWN.....	24-27
WARRANTY.....	28

TRACTOR - MODEL NO. 917.256990

SCHEMATIC

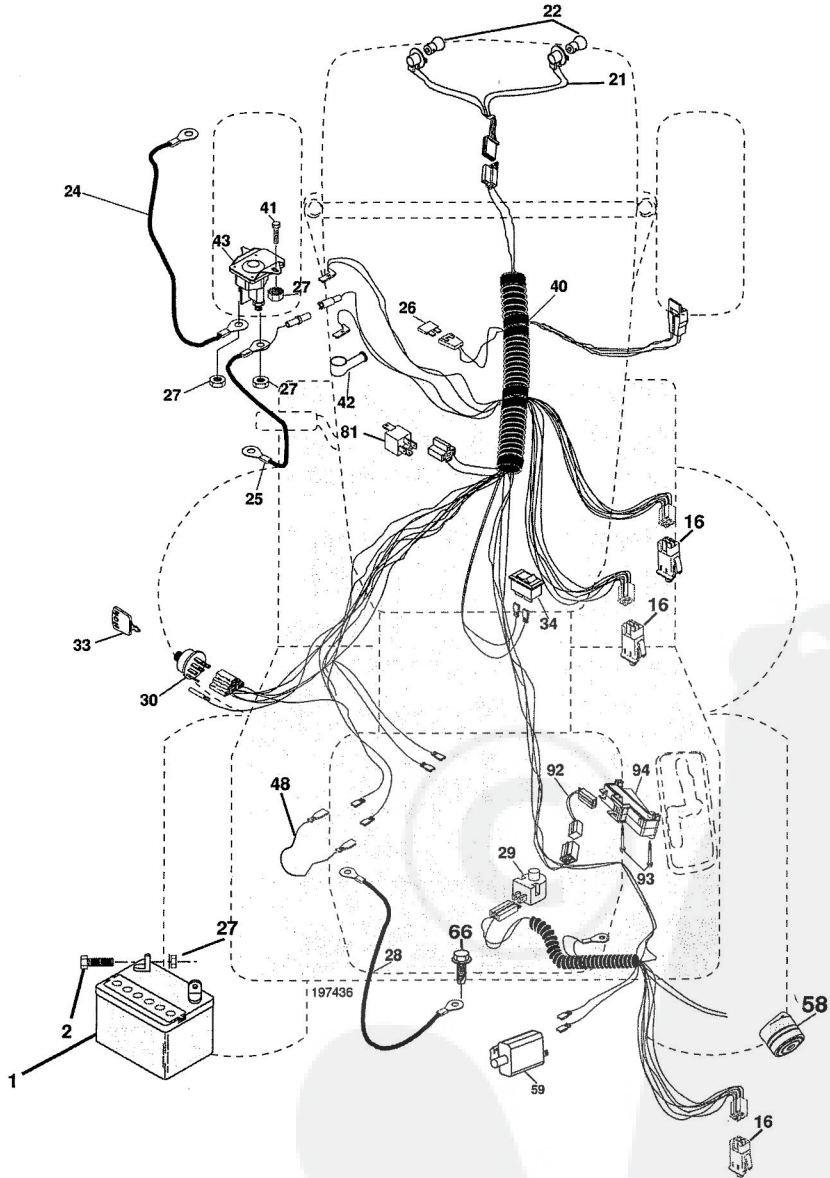
03055_197436 (WITH LIGHTS)



REPAIR PARTS

TRACTOR--MODEL NO. 917.256990

ELECTRICAL



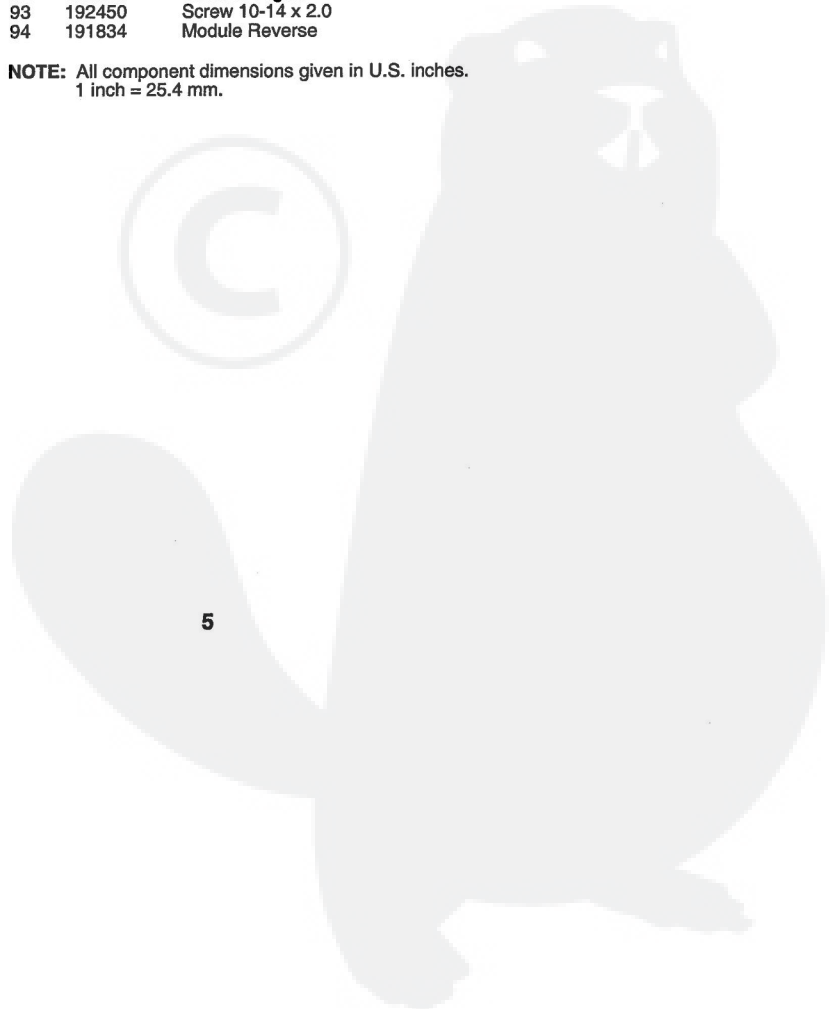
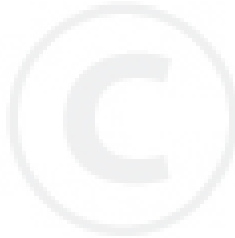
REPAIR PARTS

TRACTOR- -MODEL NO. 917.256990

ELECTRICAL

KEY NO.	PART NO.	DESCRIPTION
1	163465	Battery
2	74760412	Bolt Hex Hd 1/4-20 unc x 3/4
16	176138	Switch Interlock Push-In
21	183759	Harness Asm Light W/4152J
22	4152J	Bulb Light #1156
24	4799J	Cable Starter 6 Ga. 11" Red
25	165987	Cable Battery Crd 56" Red
26	175158	Fuse
27	STD541425	Nut Keps Hex 1/4-20 unc
28	127725X	Cable Ground 6 Ga. 18" Black
29	192749	Switch Seat
30	193350	Switch Ignition
33	140403	Key Ign Molded
34	110712X	Switch Light
40	197436	Harness Ign
41	71110408	Bolt Flk Fin Hex 1/4-20 unc x 1/2
42	131563	Cover Terminal Red
43	192507	Solenoid
48	140844	Adapter Ammeter
58	169419	Buzzer Crd
59	180379	Switch FBI CRD
66	17490608	Screw Thdrol 3/8-16 x 1/2 Ty-Tt
81	109748X	Relay Asm
92	196615	Harness Pigtail
93	192450	Screw 10-14 x 2.0
94	191834	Module Reverse

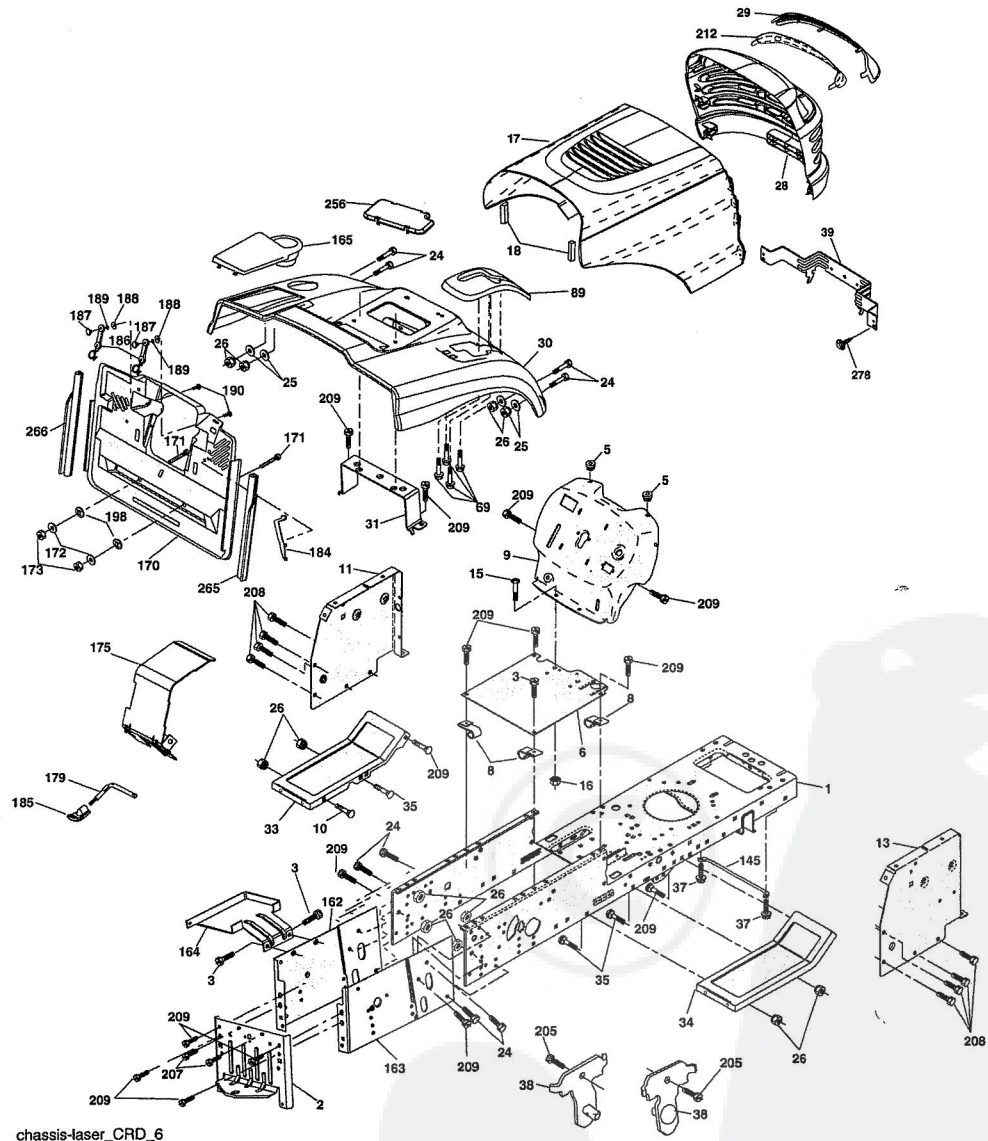
NOTE: All component dimensions given in U.S. inches.
1 inch = 25.4 mm.



REPAIR PARTS

TRACTOR- -MODEL NO. 917.256990

CHASSIS AND ENCLOSURES



chassis-laser_CRD_6

REPAIR PARTS

TRACTOR- -MODEL NO. 917.256990

CHASSIS AND ENCLOSURES

KEY NO.	PART NO.	DESCRIPTION	KEY NO.	PART NO.	DESCRIPTION
1	174620	Chassis Assembly	162	180382	Bracket Exten Chassis Lh CRD
2	180384	Drawbar	163	180383	Bracket Exten Chassis Rh CRD
3	17060612	Screw 3/8-16 x .75	164	165605	Support Battery CRD
5	155272	Bumper Hood/Dash	165	179020X428	Cover Battery CRD Lt
6	184419	Saddle	170	199488	Backplate Asm CRD
8	126471X	Clip Insulator 13/32 Mtg. Hole	171	72140620	Bolt Rdhd Sqnk 3/8-16 x 2-1/2
9	193518X012	Dash Silscr	172	19132016	Washer 13/32 x 1-1/4 x 16 Ga.
10	STD533710	Bolt, Carriage 3/8-16 x 1	173	STD541437	Nut, Keps Hex 3/8-16 unc
11	174996	Panel, Dash, L.H.	175	188203	Door Trap
13	172105X010	Panel, Asm. Dash R.H.	179	188202	Rod Pivot FBI CRD
15	74180512	Screw, Machine, Truss Head 5/16-18 unc x 3/4	184	174662	Bracket Actuator Bagger CRD
16	STD541431	Nut Keps 5/16-18 unc	185	179608X505	Knob Rod Brake Parking
17	185682X613	Hood Assembly	186	160793	Latch Asm Mulch/Bagger
18	184921	Bumper Hood	187	2029J	Nut Weld .327/.304 #10-24
24	STD523710	Bolt Fin Hex 3/8-16 unc x 1. Gr. 5	188	19061216	Washer #10
25	19131312	Washer 13/32 x 13/16 x 12 Ga.	189	STD551110	Washer Lock #10
26	STD541437	Nut Lock Hex w/lms 3/8-16 unc	190	71081010	Screw Pan Hd Phillips 10-24
28	193258	Grille/Lens Asm (Includes key #'s 29 and 212)	198	168937	Nut, Push
29	174332X599	Lens, Grille	205	17490608	Screw Thdrol 5/8-16 x 1/2
30	192533X613	Fender	207	17670508	Screw Thdrol 5/16-18 x 1/2
31	165156	Bracket, Fender Support	208	17670608	Screw Thdrol 3/8-16 x 1/2 TYT
33	179716X613	Footrest, L.H.	209	17000612	Screw Hex Wsh Thdrol 3/8-16
34	179717X613	Footrest, R.H.	212	175143	Insert Lens Reflective
35	STD533107	Bolt RDHD SHT SQNK 3/8-16 x 3/4	256	180810X428	Cover Fender Rack
37	17490508	Screw Thdrol 5/16-18 x 1/2 TYT	265	185704	Seal Side RH
38	181748	Pivot Bracket Assembly	266	185703	Seal Side LH
39	407807	Bracket Pivot	278	191611	Screw 10 x 3/4 Single-Lead Hex
69	142432	Screw Hex 1/4-1/2 unc	--	5479J	Plug, Button
89	192392X428	Console			
145	409167	Rod Pivot Chassis/Hood			

NOTE: All component dimensions given in U.S. inches.
1 inch = 25.4 mm.

REPAIR PARTS

TRACTOR- -MODEL NO. 917.256990

DRIVE

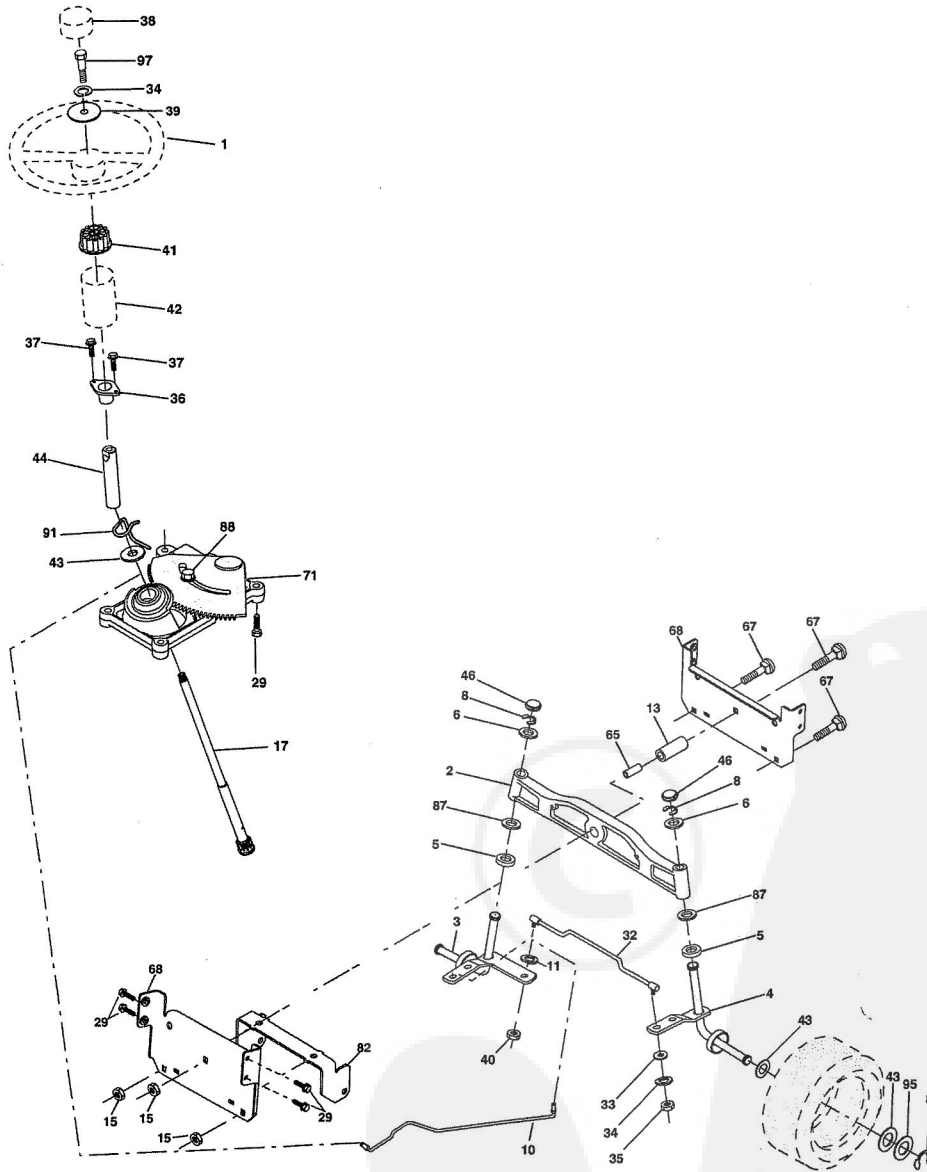
KEY NO.	PART NO.	DESCRIPTION	KEY NO.	PART NO.	DESCRIPTION
1	-----	Transaxle Peerless 206-546 (Order parts from transaxle manufacturer)	77	123583X	Key, Square
2	146682	Spring Brake Return	78	121748X	Washer 25/32 x 1-5/8 x 16 Ga.
3	165999	Pulley Transaxle	79	2228M	Key Woodruff
4	12000028	Ring Retainer #5100-62	80	145090	Arm Shift PMST 20" Tires
5	121520X	Strap torque 30 degrees	82	165711	Spring, Torsion
6	17060512	Screw 5/16-18 x 3/4	83	19171216	Washer 17/32 x 3/4 x 16 Ga.
8	192706	Rod Shift	84	165620	Link Shift
9	408579	Clutch Noram	96	4497H	Spring, Retainer 1"
10	76020416	Pin, Cotter 1/8 x 1	112	19091210	Washer 9/32 x 3/4 x 10 Ga.
11	105701X	Washer Plate Shf .3888 sq hole	113	127285X	Strap Torque
13	74550412	Bolt 1/4-28 Unf Gr. 8 w/patch	120	73900600	Nut Lock Fig. 3/8-16 unc
14	10040400	Washer, Lock Hvy Helical	150	165850	Bushing, Bellcrank Grnd Dr
15	74490544	Bolt Hex Flghd 5/16-18 Gr. 5	151	19133210	Washer 13/32 x 2 x 10 Ga.
16	73800500	Nut, Lock Hex w/lms 5/16-18 unc	156	166002	Washer Srrd 5/16 ID x 1.125
18	74780616	Bolt Hex 3/8-16 unc x 1 Gr. 5	158	165589	Bracket Shift Mount
19	73800600	Nut, Lock Hex w/Wsh 3/8-16 unc	159	183900	Hub Shift
21	106933X	Knob Duckhead	161	72140406	Bolt Rdhd Sqnk 1/4-20 x 3/4 Gr 5
22	175607	Rod, Brake CRD	162	73680400	Nut Crownlock 1/4-20 unc
24	73350600	Nut	163	74780416	Bolt Hex Fin 1/4-20 unc x 1 Gr 5
25	106888X	Spring, Rod, Brake	165	165623	Bracket Pivot Lever
26	19131316	Washer 13/32 x 13/16 x 16 Ga.	166	17490510	Screw 5/16-18 x 5/8
27	76020412	Pin, Cotter 1/8 x 3/4	167	165588	Bracket Support Shift CRD
28	175765	Rod, Parking Brake	168	165492	Bolt Shoulder 5/16-18 x .561
29	71673	Cap Brake Parking	171	17490608	Screw Thdrol 3/8-16 x 1/2 Ty-Tt
30	169592	Bracket, Mfg. Transaxle	172	165635	Shaft Asm Shift Front CRD PMST
34	175578	Shaft, Asm Pedal Foot	177	165932	Keeper Flat Idler 3.06" CRD
35	120183	Bearing, Nylon	181	180211	Bracket Idler Ground Drive CRD
36	19211616	Washer 21/32 x 1 x 16 Ga.	182	182682	Keeper Belt 2.5" Od V-Idler CRD
37	1572H	Pin, Roll 3/16 x 1"	183	199532	Pulley V-Idler
38	165936	Pulley, Flat	187	17580520	Screw 5/16-18 x 1.25
39	74760644	Bolt Fin Hex 3/8-16 unc x 2-3/4	203	71170780	Bolt Hex 7/16-20 x 5
40	4470J	Spacer, Split 395 x 59 Bzp	207	169845	Washer Nylon Rear
42	19131312	Washer 13/32 x 13/16 x 12 Ga.	214	175609	Shaft Asm Blade
43	19111012	Washer 11/32 x 5/8 x 12 Ga.	215	410142	Rod Brake Secondary
47	127783	Pulley, Idler, V Groove Plasic	253	175028	Bracket Cable Chassis
48	154407	Bellcrank Clutch Grnd Drv	254	17000616	Screw 3/8-16 x 1
49	123205X	Retainer, Belt Style Spring	255	175608	Brace Shaft Brake Mtg.
50	72110612	Bolt 3/8-16 unc x 1-1/2	258	178062	Clip Retainer
51	73680600	Nut, Crownlock 3/8-16 unc	261	131494	Pulley Idler
53	199652	Link, Clutch 7.66	262	72110622	Bolt RDHD 3/8-16 unc x 2-3/4 Gr.5
55	105709X	Spring, Return, Clutch	263	17000612	Screw 3/8-16 x 3/4
56	17060620	Screw 3/8-16 x 1-1/4	264	197608	Bracket Clutch Mtg.
57	165631	V-Belt Kev PMST CRD	265	404607	Spacer Idler Chassis
62	8883R	Cover, Pedal	266	182061	Shield Idler Mower
65	10040700	Washer	268	182402	Guard Muffler
66	154778	Keeper, Belt Engine F-Proof	275	19131614	Washer 13/32 x 1 x 14
74	137057	Spacer Axle	292	400271	Spacer
75	121749X	Washer 25/32 x 1-1/4 x 16 Ga.	293	72140628	Bolt RDHD SQNK 3/8-16 x 3-1/2
76	12000001	Ring, E	294	197033	Nut Jam 3/8-16
			295	179114	Pulley Idler

NOTE: All component dimensions given in U.S. inches
1 inch = 25.4 mm

REPAIR PARTS

TRACTOR- -MODEL NO. 917.256990

STEERING ASSEMBLY



steering_pl.it_60

REPAIR PARTS

TRACTOR- -MODEL NO. 917.256990

STEERING ASSEMBLY

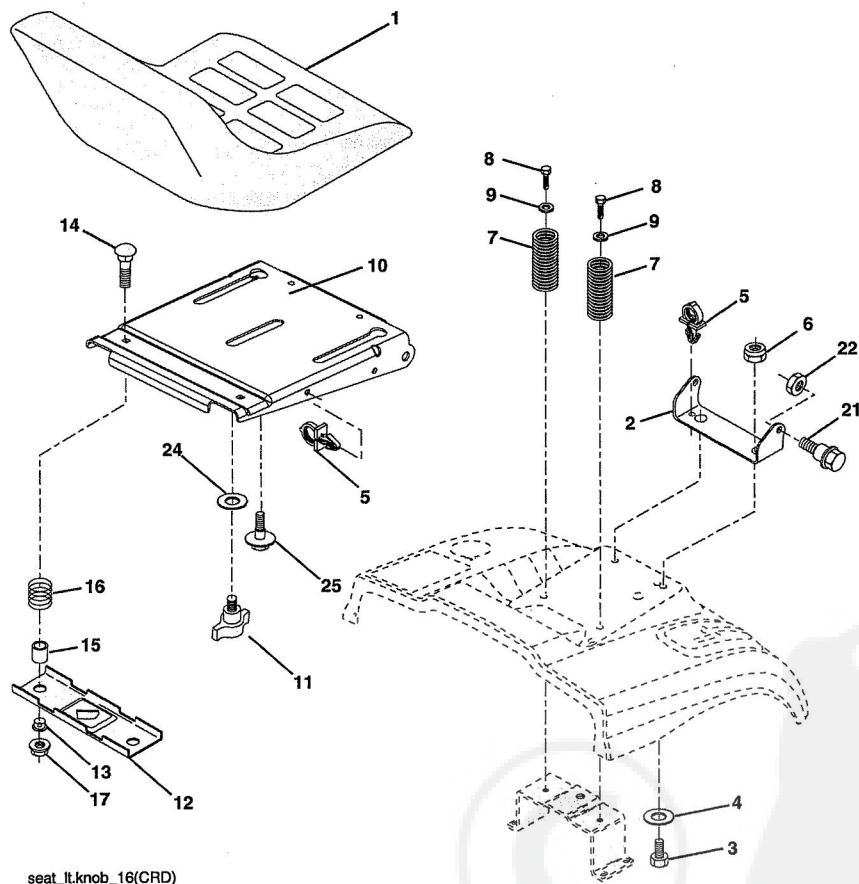
KEY NO.	PART NO.	DESCRIPTION
1	186093X428	Steering Wheel
2	184706	Front Axle Assembly
3	169840	Spindle Assembly, L.H.
4	169839	Spindle Assembly, R.H.
5	6266H	Bearing, Race, Thrust, Hardened
6	121748X	Washer 25/32 x 1-5/8 x 16 Ga.
8	12000029	Ring, Klip
10	175121	Link, Drag
11	STD551137	Washer, Lock
13	136518	Spacer Axle
15	145212	Nut, Hexflange Lock
17	190753	Shaft Assembly, Steering
29	17000612	Screw, 3/8-16 x 3/4 SMGML Tap/R
32	170162	Rod, Tie
33	19111216	Washer 11/32 x 3/4 x 16 Ga.
34	STD551131	Washer Lock Hvy Hlcl Spr 5/16
35	73540500	Nut Crownlock 5/16-24 unf
36	155099	Bushing, Steering
37	152927	Screw TT #10-32 x 5 x 3/8 Flange
38	186095X428	Cap Wheel Steering
39	19113812	Washer 11/32 ID x 2-3/8 OD x 12 Ga.
40	73540600	Nut Crownlock 3/8-24
41	186737	Adaptor, Steering Wheel
42	145054X428	Boot, Steering Dash
43	121749X	Washer 25/32 x 1-1/4 x 16 Ga.
44	190752	Extension Steering Non-Adjust
46	184946X505	Cap, Spindle
65	160367	Spacer Brace Axle
67	72110618	Bolt RDHD SQ 3/8-16 x 2-1/4
68	169827	Brace Axle
71	175146	Steering Asm.
82	199978	Bracket Susp Chassis Front
87	173966	Washer FLat .781 x 1-1/2 x .14
88	175118	Bolt Shoulder
91	175553	Clip Steering
95	188967	Washer Harden .739 x 1.637 x 060
97	74780564	Bolt 5/16-18 unc x 4" L Gr. 5

NOTE: All component dimensions given in U.S. inches.
1 inch = 25.4 mm.

REPAIR PARTS

TRACTOR- -MODEL NO. 917.256990

SEAT ASSEMBLY



seat_lt.knob_16(CRD)

KEY NO.	PART NO.	DESCRIPTION
1	188939	Seat
2	140551	Bracket Pnt Pivot Seat (blk)
3	71110616	Bolt Fin Hex 3/8-16 unc x 1
4	19131610	Washer Flat 13/32 x 1 x 10 Ga.
5	145006	Clip Push In Hinged
6	STD541437	Nut Lock Hex 3/8-16 Unc
7	124181X	Spring Seat Cprsn 2 250 Blk Zi
8	17000616	Screw 3/8-16 x 1
9	19131614	Washer 13/32 x 1 x 14 Ga.
10	195530	Pan Pnt Seat
11	166369	Knob Seat Adj Wingnut
12	174648	Bracket Pnt Mounting Switch

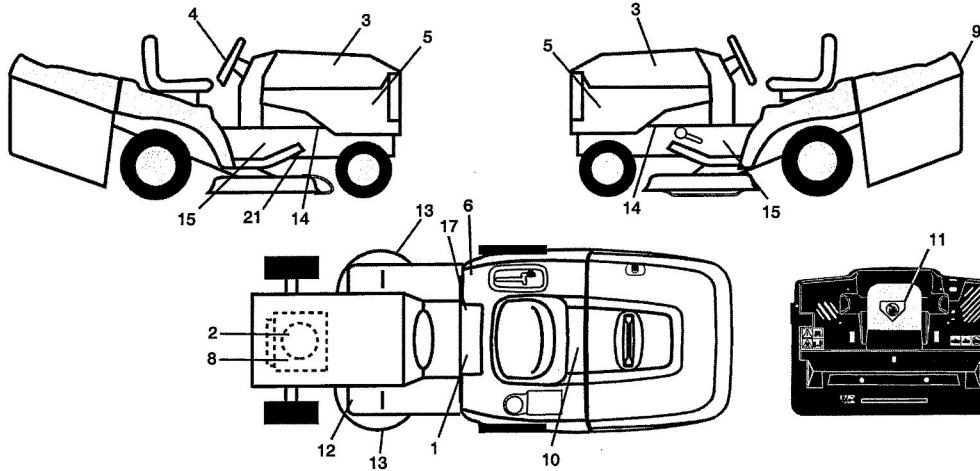
KEY NO.	PART NO.	DESCRIPTION
13	121248X	Bushing Snap Blk Nyl 50 Id
14	72050412	Bolt Rdhd Sht Nk 1/4-20 x 1-1/2
15	134300	Spacer Split .28 x .96 Zinc
16	121250X	Spring Cprsn
17	123976X	Nut Lock 1/4 Lge Flg Gr. 5 Zinc
21	171852	Bolt Shoulder 5/16-18 unc-2A
22	STD541431	Nut Hex Lock w/Ins 5/16-18
24	19171912	Washer 17/32 x 1-3/16 x 12 Ga.
25	127018X	Bolt Shoulder 5/16-18 x .62

NOTE: All component dimensions given in U.S. inches.
1 inch = 25.4 mm

REPAIR PARTS

TRACTOR- -MODEL NO. 917.256990

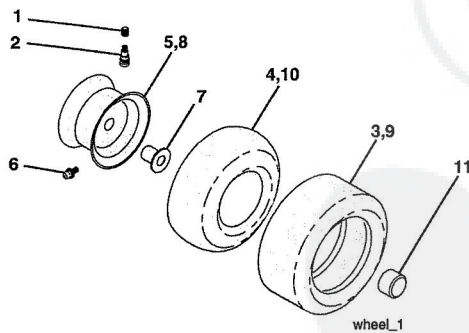
DECALS



KEY NO.	PART NO.	DESCRIPTION
1	400389	Decal Read Owner's Manual Sym
2	412646	Decal Hp Engine
3	411697	Decal Hood RH
4	164065	Decal Steering Wheel
5	413054	Decal Hood Side
6	180432	Decal 100 DB/CE
8	196841	Decal Engine Warning Sym
9	411697	Decal Fender Logo
10	145005	Decal Bat Dan/Poi P/L Sym Wpn
11	182166	Decal Mower Cut Finger Symbol
12	159737	Decal Brake/Clutch Symbol Lt
13	196842	Decal Saddle Shift Sym. Cutting
14	159736	Decal Chassis Hot Muffler

KEY NO.	PART NO.	DESCRIPTION
15	186787	Decal Chassis
17	140837	Decal Saddle Brake Parking
21	166286	Decal Deck Sch 92 CRD
--	138311	Decal Lift Handle
--	179768X428	Pad Footrest LH
--	179769X428	Footrest Pad RH
--	412937	Manual Operator's (Euro)
--	412938	Manual Operator's (Scan)
--	412939	Manual Operator's (E-Bloc)
--	412940	Manual Operator's (Baltic)
--	412941	Manual Parts

WHEELS & TIRES



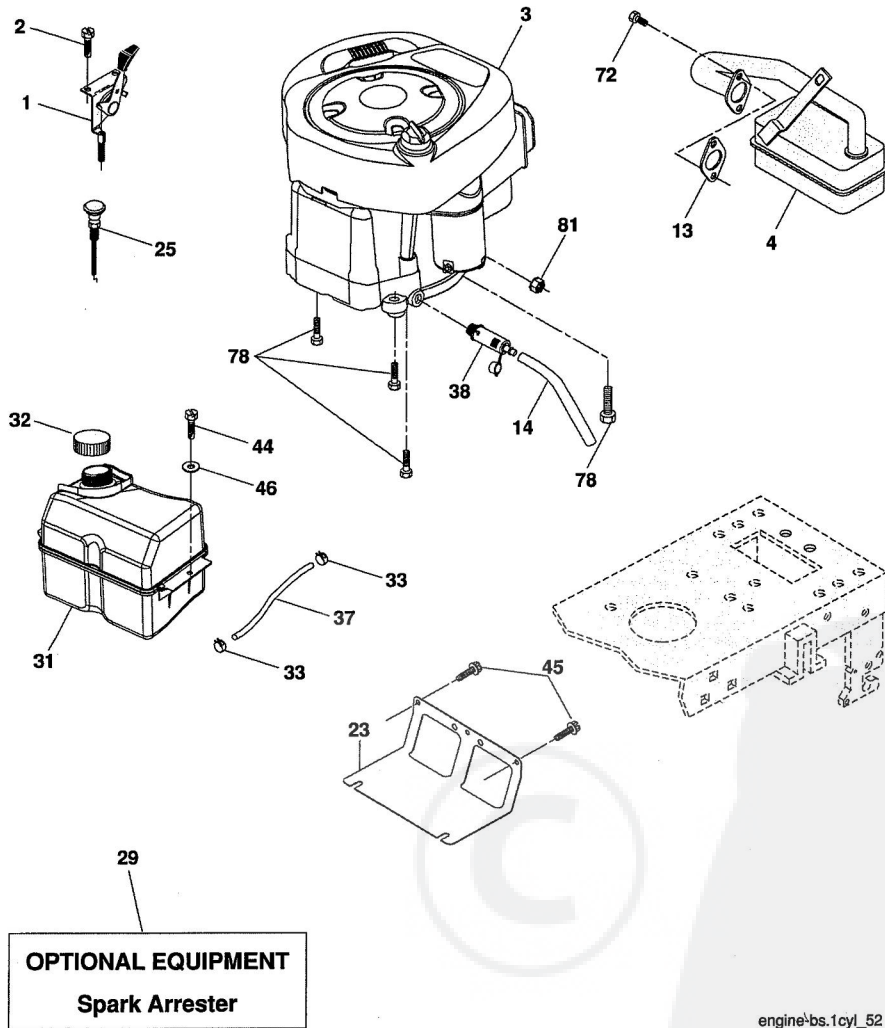
KEY NO.	PART NO.	DESCRIPTION
1	59192	Cap Value Tire
2	65139	Stem Valve
3	106222X	Tire F Ts 15 x 6.0 - 6 Service
4	59904	Tube Inner Front #35060
5	106732X645	Rim Asm 6" front Service
6	278H	Fitting Grease
7	9040H	Bearing Flange
8	106108X645	Rim Asm 8" rear Service
9	138648	Tire R Ts 20 x 8-8 Service
10	7152J	Tube Rear 9.5 x 8 Service
11	104757X645	Cap Axle Blk 1 50 x 1 00
--	144334	Sealant, Tire (10 oz. tube)

NOTE: All component dimensions given in U.S. inches
1 inch = 25.4 mm

REPAIR PARTS

TRACTOR- -MODEL NO. 917.256990

ENGINE



REPAIR PARTS

TRACTOR- -MODEL NO. 917.256990

ENGINE

KEY NO.	PART NO.	DESCRIPTION
1	170545	Control Throttle
2	17720408	Screw Hex Thd Cut 1/4-20 x 1/2
3	-----	Engine Briggs Model 31C707-0240-B1
4	137352	Muffler Exhaust B&S Lt
13	165291	Gasket 1 313 Id Tin Plated
14	148456	Tube Drain Oil Easy
23	169837	Shield Browning/Debris Guard
25	187770X428	Control Choke
29	137180	Arrestor Spark
31	185534	Tank Fuel
32	197725	Cap Asm Fuel
33	123487X	Clamp Hose Blk
37	137040	Line Fuel 20"
38	181654	Plug Oil Drain Easy
44	17670412	Screw Hexwsh Thdrol 1/4-20 x 3/4
45	17000612	Screw Hexwsh Thdr 3/8-16 x 3/4
46	19091416	Washer 9/32 x 7/8 x 16 Ga.
72	192334	Screw Socket 5/16-18 x 3/4
78	17060620	Screw 3/8-16 x 1-1/4
81	STD541425	Nut Keps 1/4-20 unc

NOTE: All component dimensions given in U.S. inches
1 inch = 25.4 mm

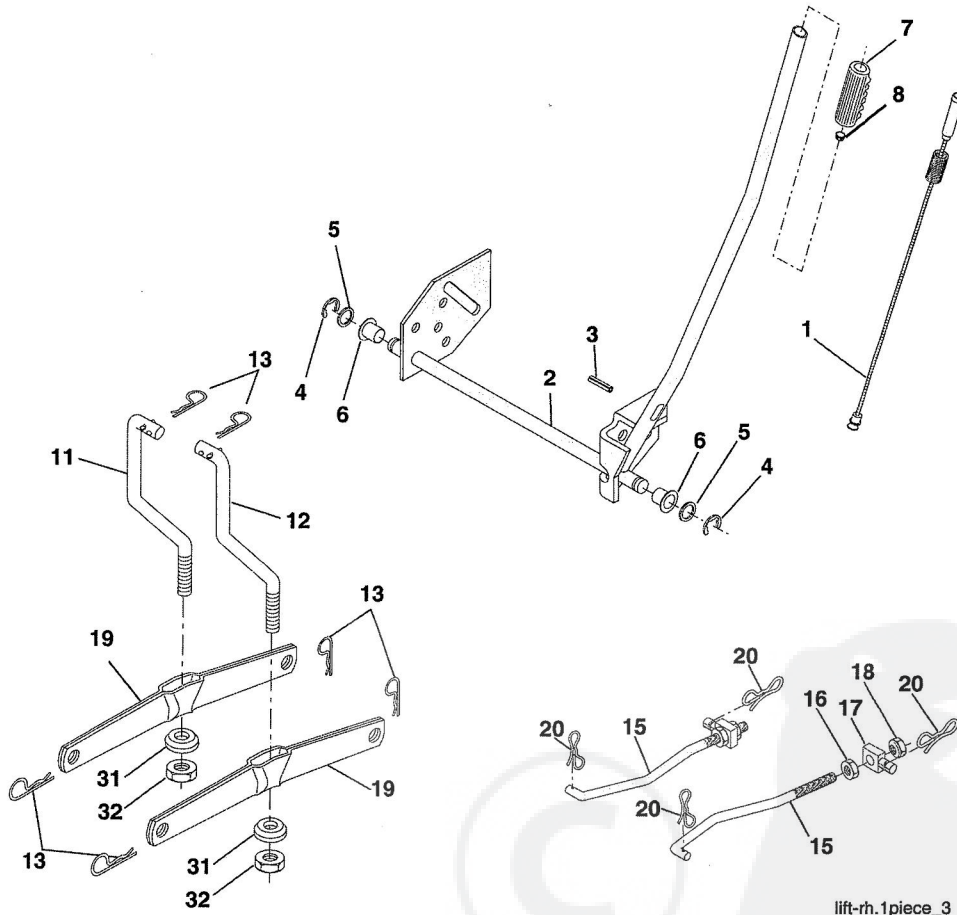
Engine Power Rating Information

The gross power rating for individual gas engine models is labeled in accordance with SAE (Society of Automotive Engineers) code J11940 (Small Engine Power & Torque Rating Procedure), and rating performance has been obtained and corrected in accordance with SAE J1995 (Revision 2002-5). Actual gross engine power will be lower and is affected by, among other things, ambient operating conditions and engine-to-engine variability. Given both the wide array of products on which engines are placed and the variety of environmental issues applicable to operating the equipment, the gas engine will not develop the rated gross power when used in a given piece of power equipment (actual "on-site" or net horsepower). This difference is due to a variety of factors including, but not limited to, accessories (air cleaner, exhaust, charging, cooling, carburetor, fuel pump, etc.), application limitations, ambient operating conditions (temperature, humidity, altitude), and engine-to-engine variability. Due to manufacturing and capacity limitations, Briggs & Stratton may substitute an engine of higher rated power for this Series engine.

REPAIR PARTS

TRACTOR- -MODEL NO. 917.256990

MOWER LIFT



lift-rh.1piece_3

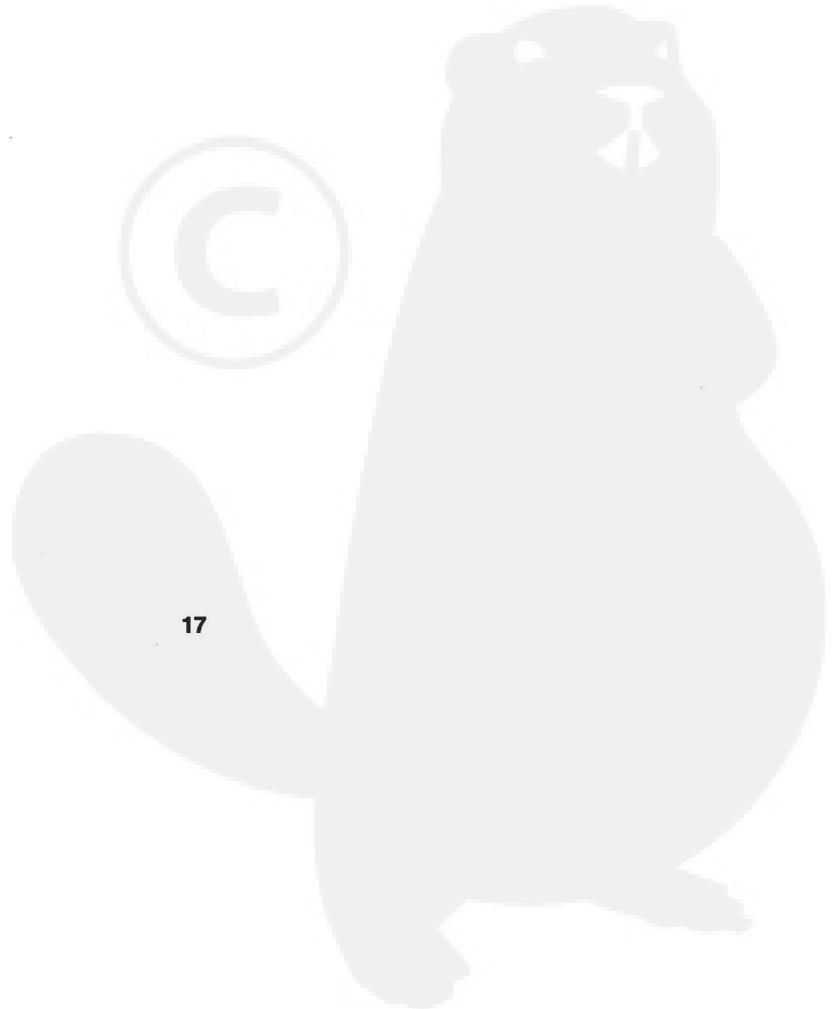
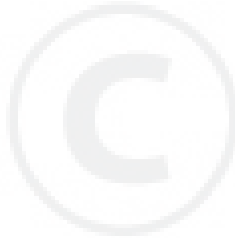
REPAIR PARTS

TRACTOR- -MODEL NO. 917.256990

MOWER LIFT

KEY NO.	PART NO.	DESCRIPTION
1	159460	Wire Asm Inner Spring W/Plunger
2	159471	Shaft Asm. Lift
3	105767X	Pin Groove
4	12000002	E Ring #5133-62
5	19211621	Washer 21/32 x 1 x 21 Ga.
6	120183X	Bearing Nylon
7	125631X	Grip Handle
8	122365X	Button Plunger
11	165829	Link Asm Lift L.H.
12	165831	Link Asm Lift R.H.
13	4939M	Retainer Spring
15	173288	Link Front
16	73350800	Nut Jam Hex 1/2-13 unc
17	175689	Trunnion Blk Zinc
18	73800800	Nut Lock w/wsh 1/2-13 unc
19	139868	Arm Suspension Mower
20	194209	Pin Cotter Bow Tie Lock
31	169865	Bearing, Pvt. Lift.
32	73540600	Nut Crownlock 3/8-24

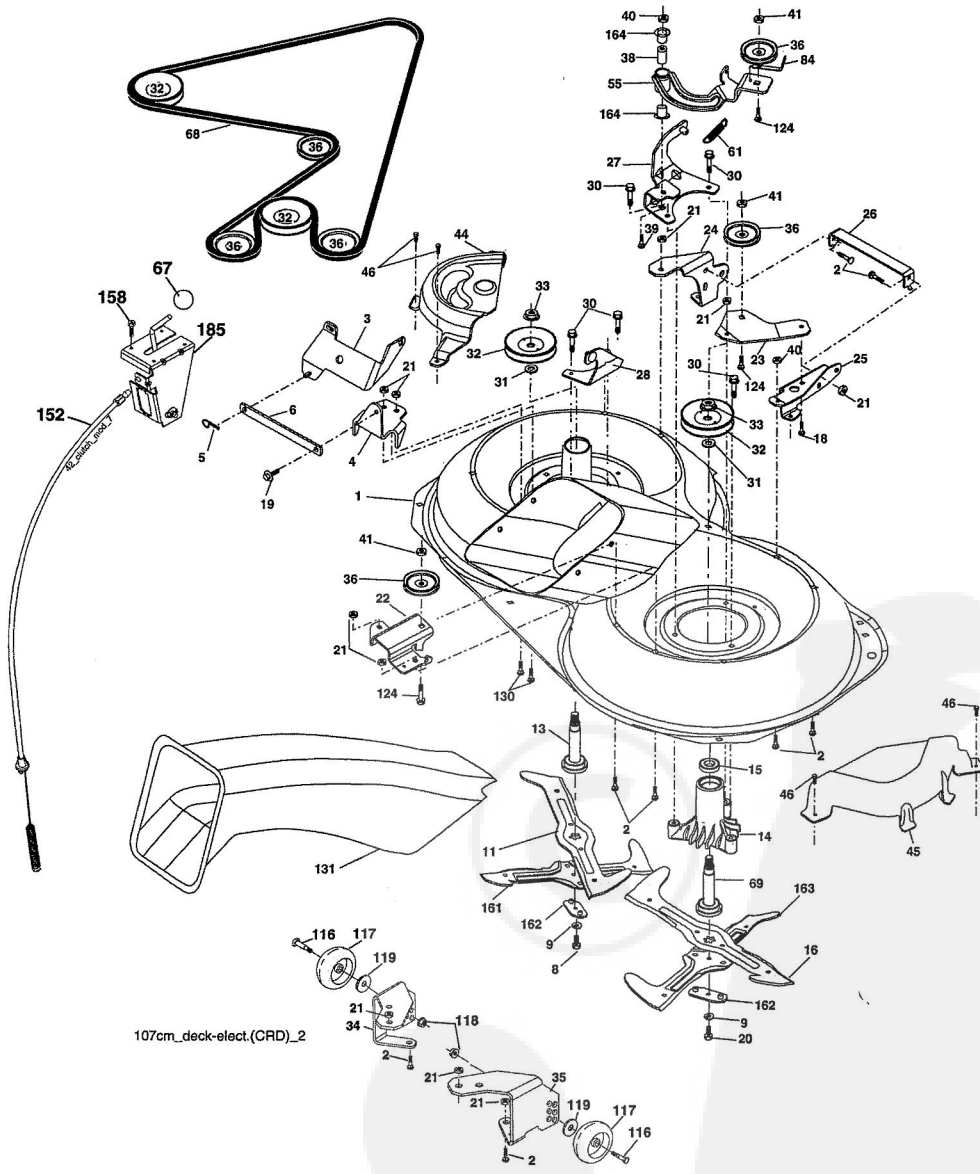
NOTE: All component dimensions given in U.S. inches
1 inch = 25.4 mm



REPAIR PARTS

TRACTOR- -MODEL NO. 917.256990

MOWER



107cm_deck-elect.(CRD)_2

REPAIR PARTS

TRACTOR- -MODEL NO. 917.256990

MOWER

KEY NO.	PART NO.	DESCRIPTION	KEY NO.	PART NO.	DESCRIPTION
1	169160	Housing Asm. Mower	39	72110622	Bolt RhHd 3/8-16 unc x 2-3/4 Gr.5
2	72140506	Bolt Rdhd Sqnk 5/16-18 unc x 3/4	40	73680600	Nut Crownlock 3/8-16 unc
3	165569	Bracket Asm. S-Bar Chass	41	73900600	Nut Flangelock 3/8-16 unc
4	169167	Bracket Bar Sway Deck	44	175538	Cover Mandrel Lh
5	4939M	Retainer Spring	45	175539	Cover Mandrel Rh
6	165557	Bar Sway	46	137729	Screw Thd Roll 1/4-20 x 5/8
8	181712	Bolt 3/8-24 x 1.25 Gr. 8 Patched	55	169849	Arm Idler
9	10030600	Washer Lock Hvy 3/8 Unplated	61	199487	Spring Tension
11	180583	Blade 3-1 Lh	67	106932X	Knob
13	137645	Shaft Asm. W/Lower Bearing	68	402009	Hex-Belt Mower
14	128774	Housing Mandrel Vented (Machd)	69	165482	Shaft Asm W/Lwr Brg Rh Thd CRD
15	110485	Bearing Ball Mandrel	84	156085	Keeper Belt Idler
16	180584	Blade 3-1 Rh	116	193406	Bolt Shoulder
18	72110606	Bolt Rdhd Sqnk 3/8-16 x 3/4 Gr. 5	117	174873	Wheel Gage
19	132827	Bolt Shoulder 5/16-18 Thd Form	118	73930600	Nut Centerlock 3/8-16 unc
20	181713	Bolt 3/8-24 x 1.25 Gr. 8 Ptch LHthd	119	19132012	Washer 13/32 x 1-1/4 x 12
21	73680500	Nut Crown Lock 5/16-18	124	72110612	Bolt Carr Sh 3/8-16 x 1-1/2 Gr5
22	169165	Bracket Idler Sprt RR	130	72110506	Bolt Rdhdsqnk 5/16-18 unc x 3/4
23	169166	Bracket Idler Sprt RF	131	165661	Chute Bagger CRD 92cm
24	169170	Bracket Suspension LF	152	176074	Cable Clutch
25	400105	Bracket Suspension RF	158	17720408	Screw 1/4-20 x 1/2
26	400110	Brace Support Susp Frt CRD	161	180424	Blade Cross LH 107
27	169172	Bracket Asm. Susp RR	162	180878	Adapter Weldment Blade 107
28	169168	Bracket Asm. Susp LR	163	180425	Blade Cross RH 107
30	173984	Screw Thd Rolling Dod.PT Hex	164	3366R	Bearing
31	187690	Washer Spacer Mower Vented	185	188234	Head Asm Cable Clutch
32	198145	Mandrel Pulleys	--	181857	Mandrel Asm Service
33	400234	Nut Flg Top Lock	--	181858	Mandrel Asm CRD Lh Threads VC
34	400103	Bracket Gauge Wheel Lf	--	400325	Replacement Mower Complete
35	400104	Bracket Gauge Wheel Rf			
36	146763	Pulley Idler V-Groove Dim 4.25			
38	169851	Spacer Hub Arm Idler			

NOTE: All component dimensions given in U.S. inches
1 inch = 25.4 mm

REPAIR PARTS

TRACTOR- -MODEL NO. 917.256990

BAGGER

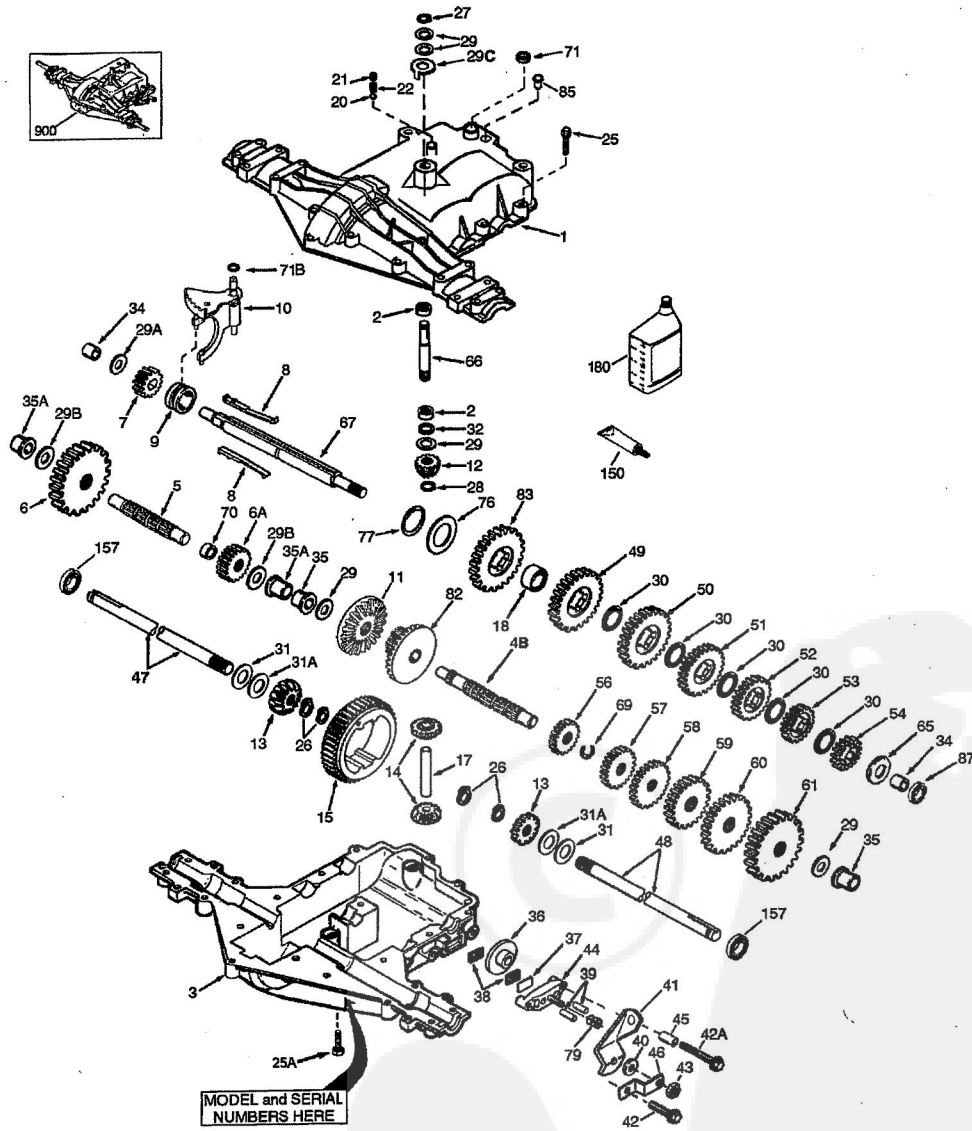
KEY NO.	PART NO.	DESCRIPTION
1	165249	Tube Handle Bagger CRD
3	123976X	Nut Lock 1/4 Lge Flg Gr. 5 Zinc
4	169916	Handle Bagger
5	74981024	Screw Pan Head #10-24 x 1.50 Blk
6	74981032	Screw Pan Hd
7	73401000	Nut Wiz Lock Hex Serr/Hd 10-24
8	169963X613	Cover Bagger Steel CRD
9	72140418	Bolt Carriage 1/4-20 x 2.25d x Gr. 5
10	181282	Tube Support Bagger CRD
11	165719	Bracket Support Upper Bag CRD
12	188848	Bracket Pivot Bagger Lh CRD
13	74760612	Bolt Fin Hex 3/8-16 unc x 3/4
14	74520636	Bolt Fin Hex 3/8-16 x 2-1/4 Gr.5
15	4939M	Retainer Spring
16	73900600	Nut Lock Flg 3/8-16 UNC
17	STD533107	Bolt Rdhd Sht Sqnk 5/16 -18 unc x 3/4
19	73900500	Nut Lock Hex Flange 5/16-18
20	188847	Bracket Bagger RH CRD
21	406180	Bag Asm CRD
22	165781	Bracket Side Bagger CRD
24	165783	Tube Pivot Bagger CRD
25	193705	Tube Front Bagger CRD
28	165787	Grip Handle Black
31	169484	Retainer Clip
32	126875X	Rivet Rd Hd Drilled 3/8 Dia
33	169380	Plug Mulcher
34	165570	Handle Mulcher
35	165572	Pin Mulcher
36	19132012	Washer 13/32 x 1-1/4 x 12 Ga.
37	175401	Plug Support Bagger CRD
38	72010520	Bolt 5/16-18 x 5.20
39	180985	Seal 37"
41	169683	Bracket Vert Adj Bagger CRD
43	174083	Plug Tubing End
46	72110510	Bolt Carr 5/16-18 x 1-1/4 Gr.5
47	193704	Tube Upper
49	193305	Bar Spreader
50	73800500	Nut Lock Hx W/Ins 5/16-18 unc
51	199903	Latch Spring
53	73510400	Nut Keps Hex 1/4-20 unc
54	72140406	Bolt RDHD SQNK 1/4-20 x 3/4 Gr.5

NOTE: All component dimensions given in U.S. inches
1 inch = 25.4 mm

REPAIR PARTS

TRACTOR- -MODEL NO. 917.256990

PEERLESS TRANSAXLE - MODEL NUMBER 206-546



REPAIR PARTS

TRACTOR- -MODEL NO. 917.256990

PEERLESS TRANSAXLE - MODEL NUMBER 206-546

KEY PART NO.	PART NO.	DESCRIPTION	KEY PART NO.	PART NO.	DESCRIPTION
1	772147	Transaxle Cover	42	792073A	Screw 1/4-20 x 1-1/4"
2	780086A	Needle Bearing 5/8"	42A	792085A	Screw 1/4-20 x 2-1/4"
3	770128	Transaxle Case	43	792075	Locknut 5/16-24
4B	776406	Countershaft	44	790025	Brake Pad Holder
5	776409	Output Shaft	45	786066	Spacer .2625 x 1.0
6	778364	Spur Gear (38 teeth)	46	786086	Brake Lever Bracket
6A	778369	Spur Gear (15 teeth-steel)	47	774690	Axle (11-15/16" long)
7	778330	Spur Gear (11 teeth)	48	774691	Axle (16-1/2" long)
8	792180	Shift Key	49	778336	Spur Gear (30 teeth)
9	784352	Shift Collar	50	778338	Spur Gear (27 teeth)
10	784378	Shift Rod & Fork	51	778340	Spur Gear (24 teeth)
11	778334	Bevel Gear (30 teeth)	52	778342	Spur Gear (22 teeth)
12	778309	Input Bevel Pinion (13 teeth)	53	778352	Spur Gear (19 teeth)
13	778368	Bevel Gear (13 teeth) (Incl. 14)	54	778350	Spur Gear (16 teeth)
14	778368	Bevel Pinion (13 teeth) (Incl.13)	56	778335	Spur Gear (10 teeth-steel)
15	778370	Ring Gear (43 teeth)	57	778337	Spur Gear (13 teeth)
17	786188	Drive Pin	58	778339	Spur Gear (16 teeth)
18	786102	Spacer 1.130 X .695	59	778341	Spur Gear (18 teeth)
20	792077A	Ball 5/16" dia	60	778351	Spur Gear (21 teeth)
21	792078	Set Screw 3/8-16 x 3/8"	61	778349	Spur Gear (24 teeth)
22	792079	Spring .310 ODx .625 L	65	780189	Flat Washer .563 ID x .062W
25	792073A	Screw 1/4-20 x1-1/4" 17	66	776422	Input Shaft
25A	792177	Screw 1/4-20 x1-3/8" 2	67	776396	Shifter & Brake Shaft
26	792125	Retaining Ring (pkg of 2)	69	792170	Retaining Ring
27	792035	Retaining Ring	70	786187	Spacer .890
28	788040	Retaining Ring	71	788069	Square Cut Ring
29	780072	Thrust Washer .627ID x .031W	71B	788092	"O" Ring
29A	780160	Thrust Washer .563 ID x .031W	76	780090	Flat Washer 1.128 ID x .058W
29B	780051	Thrust Washer .762 ID x .031W	77	788078A	Inverted Retaining Ring
29C	780199	Anti-Rotation Washer .632	79	792144	Spring .430 OD x .5000 L
30	780108	Cup Washer 1.127ID x .032W	82	778363	Bevel & Spur Gear (30 & 13 teeth)
31	780001	Flat Washer .750ID x .056W(Use As Needed)	83	778338	Spur Gear (27 teeth)
31A	780195	Flat Washer .750ID x .062W	85	792154	Oil Fill Plug
32	788083	Oil Seal 5/8"	87	788089A	Oil Seal 9/16"
34	780194	Bushing .563	150	788093A	Liquid Gasket RTV Silicone
35	780193	Flanged Bushing 5/8" ID 2	157	788088A	Oil Seal 3/4"
35A	780197	Flanged Bushing .751 2	180	730229A	Gear Oil 80W90
36	790075	Brake Disk	900	794715	Replacement 206-546 Transaxle
37	790007	Brake Pad Plate			
38	799021	Brake Pad (pkg of 2)			
39	786026	Dowel Pin 5/16 x 3/4			
40	792076A	Flat Washer .312 ID x.059W			
41	790094	Brake Lever			

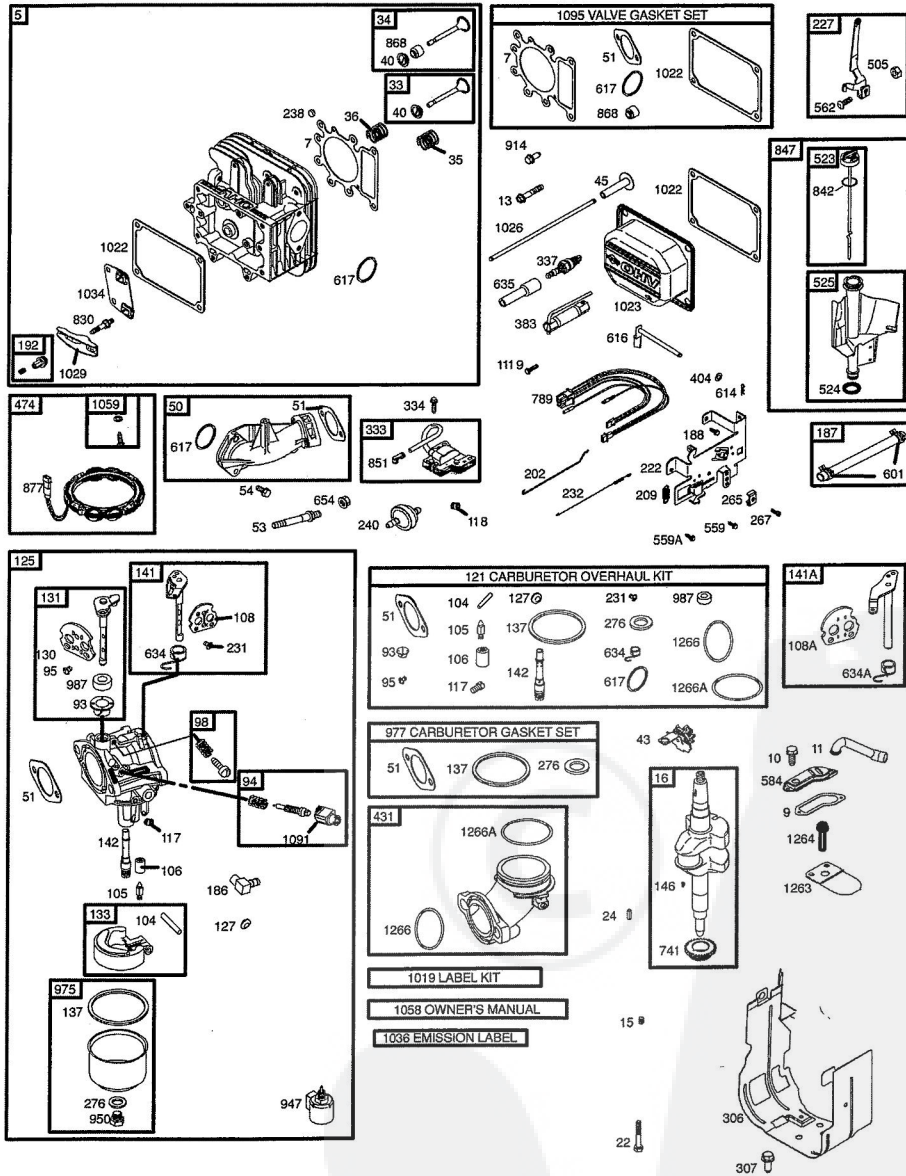
Parts must be ordered from Tecumseh Products Co.

NOTE: All component dimensions given in U.S. inches
1 inch = 25.4 mm

REPAIR PARTS

TRACTOR- - MODEL NO. 917.256990

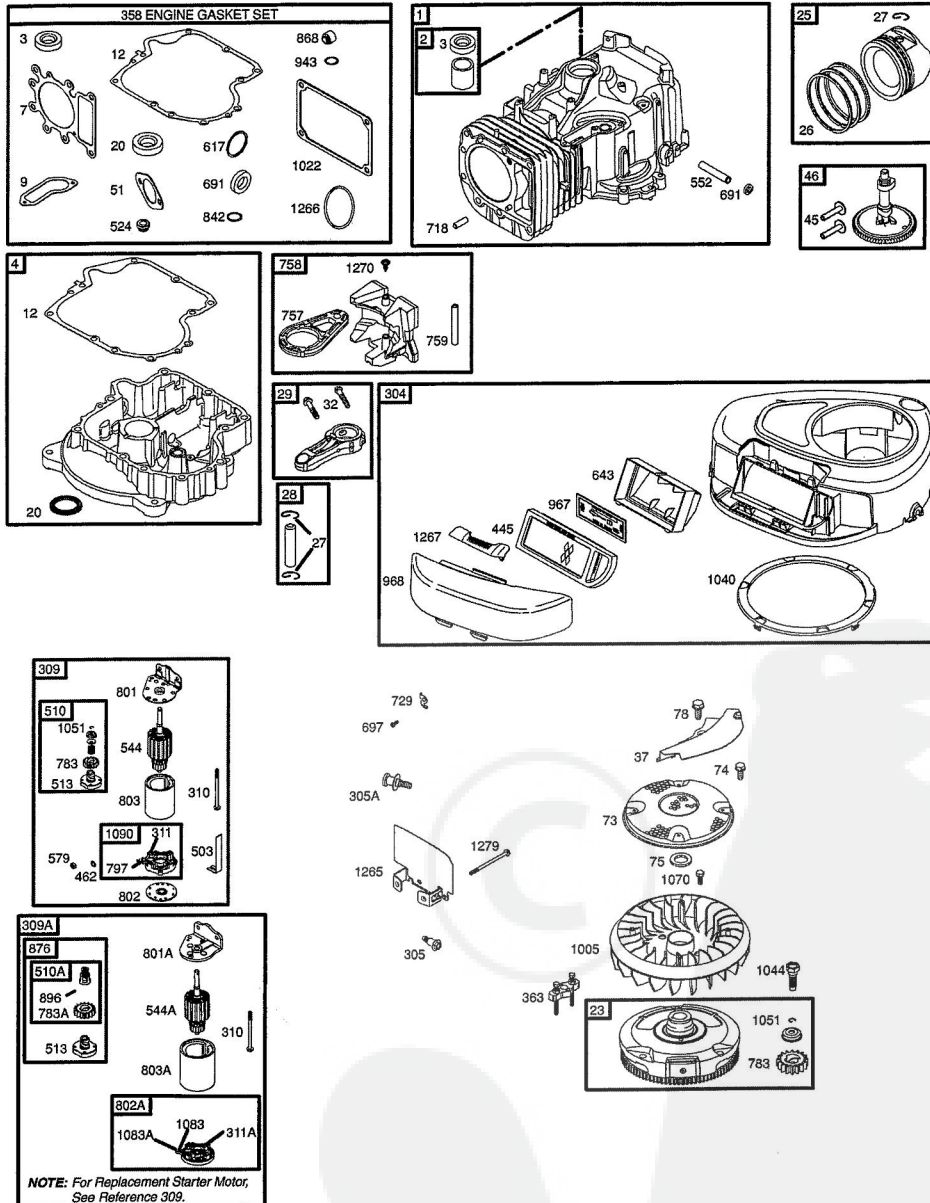
BRIGGS & STRATTON ENGINE - - MODEL NUMBER 31C707, TYPE NUMBER 0240-B1



REPAIR PARTS

TRACTOR- -MODEL NO. 917.256990

BRIGGS & STRATTON ENGINE - - MODEL NUMBER 31C707, TYPE NUMBER 0240-B1



REPAIR PARTS

TRACTOR- -MODEL NO. 917.256990

BRIGGS & STRATTON ENGINE - - MODEL NUMBER 31C707, TYPE NUMBER 0240-B1

KEY PART NO.	NO.	DESCRIPTION	KEY PART NO.	NO.	DESCRIPTION
1	697174	Cylinder Assembly	118	697492	Jet-Main (High Altitude)
2	399265	Kit-Bushing/Seal (Magneto Side)	121	697241	Kit-Carburetor Overhaul
3	391086	• Seal-Oil (Magneto Side)	125	697190	Carburetor
4	697106	• Sump-Engine	127	695005	Plug-Welch
5	698147	Head-Cylinder	130	691750	Valve-Throttle
7	692410	• Gasket-Cylinder Head	131	494379	Kit-Throttle Shaft
9	697109	• Gasket-Breather	133	494381	Float-Carburetor
10	697157	Screw (Breather Assembly)	137	281165	Ø‡ Gasket-Float Bowl
11	697113	Tube-Breather	141	495097	Kit-Choke Shaft (Manual Choke)
12	697110	• Gasket-Crankcase	141A	495931	Kit-Choke Shaft (Choke A Matic)
13	690360	Screw (Cylinder Head)	142	697140	Ø Nozzle-Carburetor
15	690946	Plug-Oil Drain	146	691639	Key-Timing
16	697127	Crankshaft	186	692317	Connector-Hose
20	690947	• Seal-Oil (PTO Side)	187	691050	Line-Fuel (Cut to Required Length)
22	692125	Screw (Crankcase Cover/Sump)	188	691693	Screw (Control Bracket)
23	693557	Flywheel	192	691986	Adjuster-Rocker Arm
24	222598	Key-Flywheel	202	691841	Link-Mechanical Governor
25	697159	Piston Assembly (Standard)	209	692208	Spring-Governor
	697160	Piston Assembly (.010" Oversize)	222	694042	Bracket-Control
	697162	Piston Assembly (.020" Oversize)	227	691374	Lever-Governor Control
	697163	Piston Assembly (.030" Oversize)	231	691636	Screw (Choke Valve)
26	697164	Ring Set (Standard)	232	691842	Spring-Governor
	697165	Ring Set (.010" Oversize)	238	691843	Cap-Valve
	697171	Ring Set (.020" Oversize)	240	394358	Filter-Fuel
	697172	Ring Set (.030" Oversize)	265	691024	Clamp-Casing
27	697100	Lock-Piston Pin	267	695134	Screw (Casing Clamp)
28	697099	Pin-Piston	276	692255	Ø‡ Washer-Sealing
29	697126	Rod-Connecting (Standard)	304	698402	Housing-Blower
32	692852	Screw (Connecting Rod)	305	697102	Screw (Blower Housing)
33	495856	Valve-Exhaust	305A	697103	Screw (Blower Housing)
34	495857	Valve-Intake	306	697107	Shield-Cylinder
35	691279	Spring-Valve (Intake)	307	691003	Screw (Cylinder Shield)
36	691279	Spring-Valve (Exhaust)	309	693551	Motor-Starter
37	697352	Guard-Flywheel	309A	-----	Motor-Starter (For Replacement Starter)
40	691752	Retainer-Valve			Motor, See Reference 309
43	691968	Slinger-Governor/Oil	310	690323	Bolt (Starter Motor)
45	690564	Tappet-Valve	311	497608	Brush Set
46	697687	Camshaft	311A	395538	Brush Set
48	697761	Short Block (31C707-0240-E2 Replacement Engine-art not available)	333	492341	Armature-Magneto
			334	691061	Screw (Magneto Armature)
50	690193	Manifold-Intake	337	691043	Plug-Spark
51	692137	• Ø‡ Gasket-Intake	358	697191	Gasket Set-Engine
53	690227	Stud (Carburetor)	363	19203	Flywheel Puller
54	691148	Screw (Intake Manifold)	383	89838	Wrench-Spark Plug
73	697384	Screen-Rotating	404	691691	Washer (Governor Crank)
74	697987	Screw (Rotating Screen)	431	697122	Elbow-Intake
75	690582	Washer (Flywheel)			
78	691003	Screw (Flywheel Guard)			
93	690602	Ø Bushing-Throttle Shaft			
94	498030	Kit-Idle Mixture			
95	691636	Screw (Throttle Valve)			
98	495800	Kit-Idle Speed			
104	690525	Ø Pin-Float Hinge			
105	231855	Ø Valve-Float Needle			
106	690577	Ø Seat-Inlet			
108	690464	Valve-Choke (Manual Choke)			
108A	692344	Valve-Choke (Choke A Matic)			
117	694352	Ø Jet-Main (Standard)			

- Included in Engine Gasket Set, Key, No. 358
- Ø Included in Carburetor Overhaul Kit, Key, No. 121
- ‡ Included in Carburetor Gasket Set, Key, No. 977
- + Included in Valve Gasket Set, Key, No. 1095

NOTE: All component dimensions given in U.S. inches 1 inch = 25.4 mm

REPAIR PARTS

TRACTOR- -MODEL NO. 917.256990

BRIGGS & STRATTON ENGINE - - MODEL NUMBER 31C707, TYPE NUMBER 0240-B1

KEY PART NO.	PART NO.	DESCRIPTION	KEY PART NO.	PART NO.	DESCRIPTION
445	698083	Filter-Air Cleaner Cartridge	876	495877	Kit-Pinion Spring
462	691261	Washer (Starter Cable)	877	393456	Wire-Connector/Alternator
474	696459	Alternator	896	691641	Pin-Drive Retainer
503	691532	Strap-Starter	914	690960	Screw (Rocker Cover)
505	691251	Nut (Governor Control Lever)	947	694393	Solenoid-Fuel
510	693699	Drive-Starter	950	691657	Screw (Float Bowl)
510A	497606	Drive-Starter	967	697015	Filter-Pre Cleaner
513	692024	Clutch-Drive	968	698403	Cover-Air Cleaner
523	697086	Dipstick	975	495933	Bowl-Float
524	691032	• Seal-Dipstick Tube	977	690192	Gasket Set-Carburetor
525	697184	Tube-Dipstick	987	691326	∅ Seal-Throttle Shaft
544	692034	Starter-Armature	1005	697853	Fan-Flywheel
544A	390837	Starter-Armature	1019	697143	Kit-Label
552	697144	Bushing-Governor Crank	1022	272475	•+ Gasket-Rocker Cover
559	697561	Screw (Remote Choke Stop)	1023	692492	Cover-Rocker Arm
559A	693675	Screw (Remote Choke Stop)	1026	692003	Rod-Push (Intake)
562	691119	Bolt (Governor Control Lever)		692011	Rod-Push (Exhaust)
579	691029	Nut (Starter Cable)	1029	691751	Arm-Rocker
584	697112	Cover-Breather Passage	1034	690822	Guide-Push Rod
601	95162	Clamp-Hose	1036	695700	Label-Emission
614	691620	Pin-Cotter	1040	698368	Plate-Trim
616	692012	Crank-Governor	1044	691658	Screw (Flywheel)
617	692138	∅ •Seal-O Ring (Intake Manifold)	1051	691265	Ring-Retaining
634	690801	∅ Spring/Seal Assembly (Manual Choke)	1058	275038	Owner's Manual
634A	690802	∅ Spring/Seal Assembly (Choke A Matic)	1059	698516	Kit-Screw/Washer
635	691909	Boot-Spark Plug	1070	690372	Screw (Flywheel Fan)
643	698401	Retainer-Air Filter	1083	691626	Nut (Starter Terminal)
654	690958	Nut (Carburetor)	1083A690958		Nut (Starter Terminal)
691	692407	• Seal-Governor Shaft	1090	691293	Retainer-Brush
697	690372	Screw (Drive Cap)	1091	691333	Cap-Limiter
718	690959	Pin-Locating	1095	690190	Gasket Set-Valve
729	691224	Clip-Wire	1119	691183	Screw (Alternator)
741	697128	Gear-Timing	1263	697124	Reed-Breather
757	697607	Link-Counterweight	1264	697104	Screw (Breather Reed)
758	697134	Counterweight	1265	697125	Support-Blower Housing
759	697392	Pin-Counterweight	1266	691917	•∅ Seal-O Ring (Intake Elbow)
783	693713	Gear-Pinion	1266A697123		∅ Seal-O Ring (Intake Elbow)
783A	693059	Gear-Pinion	1267	697575	Latch-Blower Housing
789	698329	Harness-Wiring	1270	697156	Plug-AVS Counterweight
797	693167	Nut (Brush Retainer)	1279	690960	Screw (Blower Housing Support)
801	691283	Cap-Drive			Low Speed: 1900-2100
801A	394856	Cap-Drive			High Speed: 3000-3200
802	691286	Cap-End			
802A	395537	Cap-End			
803	693757	Housing-Starter			
803A	398159	Housing-Starter			
830	691095	Stud (Rocker Arm)			
842	691031	• Seal-O Ring (Dipstick Tube)			
847	697611	Dipstick/Tube Assembly			
851	692424	Terminal-Spark Plug			
868	690968	•+ Seal-Valve			
			876	495877	Kit-Pinion Spring
			877	393456	Wire-Connector/Alternator
			896	691641	Pin-Drive Retainer
			914	690960	Screw (Rocker Cover)
			947	694393	Solenoid-Fuel
			950	691657	Screw (Float Bowl)
			967	697015	Filter-Pre Cleaner
			968	698403	Cover-Air Cleaner
			975	495933	Bowl-Float
			977	690192	Gasket Set-Carburetor
			987	691326	∅ Seal-Throttle Shaft
			1005	697853	Fan-Flywheel
			1019	697143	Kit-Label
			1022	272475	•+ Gasket-Rocker Cover
			1023	692492	Cover-Rocker Arm
			1026	692003	Rod-Push (Intake)
				692011	Rod-Push (Exhaust)
			1029	691751	Arm-Rocker
			1034	690822	Guide-Push Rod
			1036	695700	Label-Emission
			1040	698368	Plate-Trim
			1044	691658	Screw (Flywheel)
			1051	691265	Ring-Retaining
			1058	275038	Owner's Manual
			1059	698516	Kit-Screw/Washer
			1070	690372	Screw (Flywheel Fan)
			1083	691626	Nut (Starter Terminal)
			1083A690958		Nut (Starter Terminal)
			1090	691293	Retainer-Brush
			1091	691333	Cap-Limiter
			1095	690190	Gasket Set-Valve
			1119	691183	Screw (Alternator)
			1263	697124	Reed-Breather
			1264	697104	Screw (Breather Reed)
			1265	697125	Support-Blower Housing
			1266	691917	•∅ Seal-O Ring (Intake Elbow)
			1266A697123		∅ Seal-O Ring (Intake Elbow)
			1267	697575	Latch-Blower Housing
			1270	697156	Plug-AVS Counterweight
			1279	690960	Screw (Blower Housing Support)
					Low Speed: 1900-2100
					High Speed: 3000-3200

- Included in Engine Gasket Set, Key. No. 358
- ∅ Included in Carburetor Overhaul Kit, Key. No. 121
- ± Included in Carburetor Gasket Set, Key. No. 977
- + Included in Valve Gasket Set, Key. No. 1095

NOTE: All component dimensions given in U.S. inches 1 inch = 25.4 mm

LIMITED WARRANTY ON CRAFTSMAN RIDING EQUIPMENT

For two (2) years from the date of purchase, if this Craftsman Riding Equipment is maintained, lubricated and tuned up according to the instructions in the owner's manual, Sears will repair or replace free of charge any parts that are found to be defective in material or workmanship according to the guidelines of coverage listed below. Sears will also provide free labor for these applicable warranted parts for the two full years. During the first 30 days of purchase, there will be no charges to service the product at your home for issues covered by this warranty. (See exclusions below). For your convenience, IN HOME warranty service will still be available after the first 30 days of purchase, but a trip charge will apply. This charge will be waived if the Craftsman product is dropped off at an authorized Sears location. For the nearest authorized Sears location, please call 1-800-4-MY-HOME®. This warranty applies only while this product is within the United States.

This Warranty does not cover:

- Expendable items which become worn during normal use, including but not limited to blades, spark plugs, air cleaners, belts, and oil filters.
- Standard Maintenance Servicing, oil changes, or tune-ups
- Tire replacement or repair caused by punctures from outside objects, such as nails, thorns, stumps, or glass.
- Repairs necessary because of operator abuse, including but not limited to, damage caused by towing objects beyond the capability of the riding equipment, impacting objects that bend the frame or crankshaft, or over-speeding the engine.
- Repairs necessary because of operator negligence, including but not limited to, electrical and mechanical damage caused by improper storage, failure to use the proper grade and amount of engine oil, failure to keep the deck clear of flammable debris, or failure to maintain the equipment according to the instructions contained in the owner's manual.
- Engine (fuel system) cleaning or repairs caused by fuel determined to be contaminated or oxidized (stale). In general, fuel should be used within 30 days of its purchase date.
- Normal deterioration and wear of the exterior finishes, or product label replacement.
- Riding equipment used for commercial or rental purposes.

LIMITED WARRANTY ON BATTERY

For ninety (90) days from date of purchase, if any battery included with this riding equipment proves defective in material or workmanship and our testing determines the battery will not hold a charge, Sears will replace the battery at no charge. During the first 30 days of purchase, there will be no charges to replace the battery at your HOME. After the first 30 days, for your convenience, IN-HOME warranty service will still be available but a trip charge will apply. This charge will be waived if the Craftsman product is dropped off at an authorized Sears location. For the nearest authorized Sears location, please call 1-800-4-MY-HOME®.

This battery warranty applies only while this product is within the United States.

This warranty gives you specific legal rights, and you may also have other rights, which vary, from state to state.

Sears, Roebuck and Co., Dept. 817WA, Hoffman Estates, IL 60179

**CRAFTSMAN®**