



**REPAIR PARTS MANUAL**  
**MODEL NO. 259460**  
**Lawn Tractor**

---

**CRAFTSMAN®**

# HOW TO USE THIS MANUAL

This manual is designed to provide the customer with a means to identify the parts on his/her tractor when ordering repair parts. The illustrations may or may not represent the actual assemblies; therefore, it is not recommended to use this manual as a guide to assemble or disassemble the tractor. Some hardware and parts are drawn larger in order to more readily identify them.

Each tractor has its own model number.

The model number for your tractor can be found on the fender under the seat.

When ordering parts, always give the following information:

- Product - "Tractor"
- Model Number - "259460"
- Part Number
- Part Description

# TABLE OF CONTENTS

<b>SCHEMATIC</b> .....	<b>3</b>
<b>ELECTRICAL</b> .....	<b>4-5</b>
<b>CHASSIS</b> .....	<b>6-7</b>
<b>DRIVE</b> .....	<b>8-9</b>
<b>STEERING</b> .....	<b>10-11</b>
<b>SEAT</b> .....	<b>12</b>
<b>DECALS</b> .....	<b>13</b>
<b>ENGINE</b> .....	<b>14-15</b>
<b>MOWER LIFT</b> .....	<b>16-17</b>
<b>MOWER DECK</b> .....	<b>18-19</b>
<b>BAGGER</b> .....	<b>20-21</b>
<b>TRANSAXLE</b> .....	<b>22-23</b>
<b>ENGINE BREAKDOWN</b> .....	<b>24-28</b>

---

# SERVICE NOTES

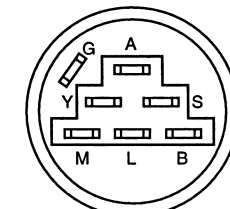
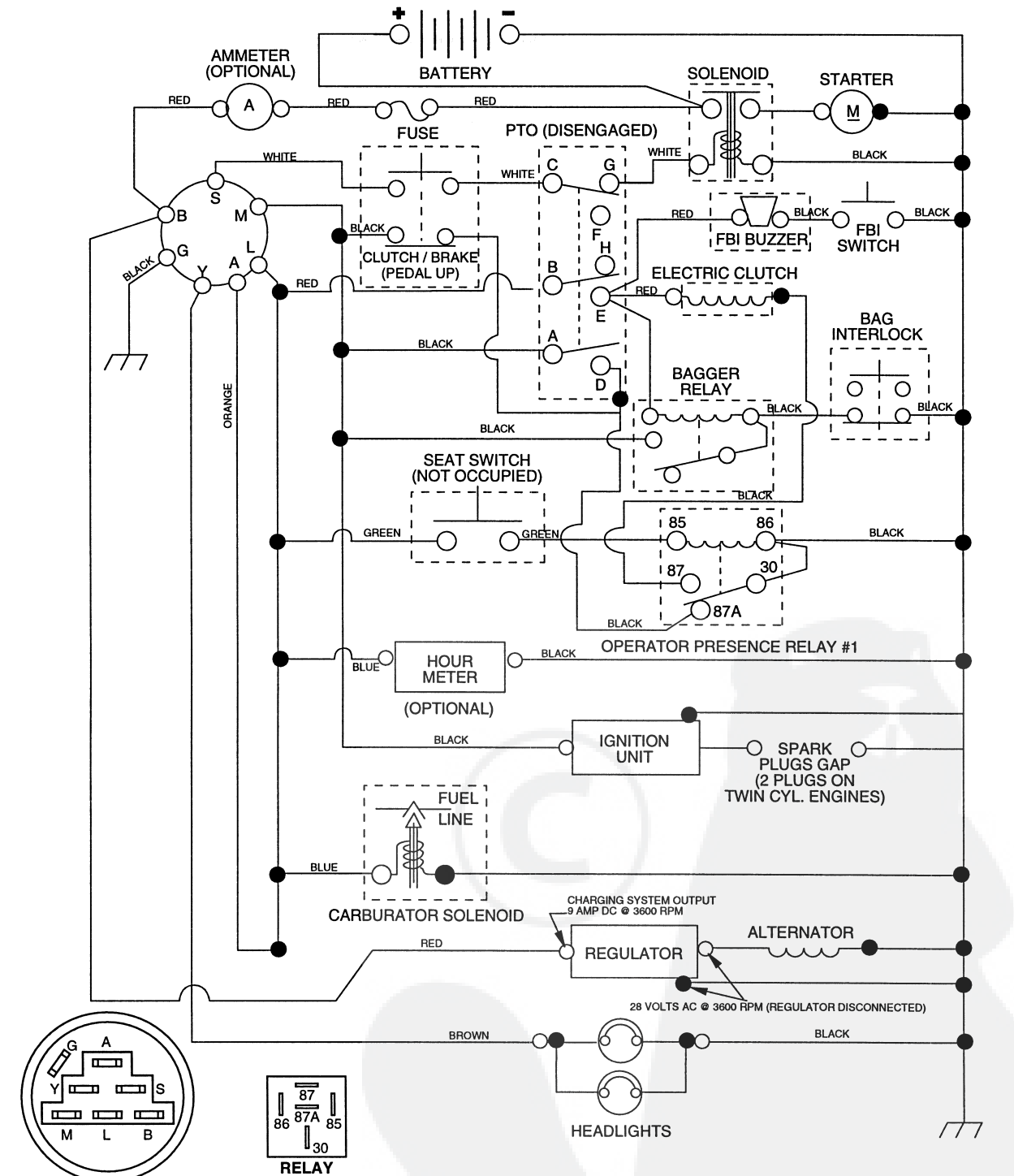
---



# SERVICE NOTES

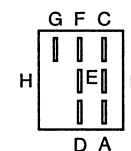
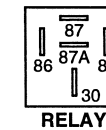
TRACTOR- -MODEL NO. 917. 259460

## SCHEMATIC

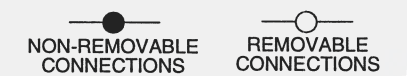


POSITION	CIRCUIT	"MAKE"
OFF	G + M + L	NONE
RUN/LIGHT	B + L	A + Y
RUN	B + L	NONE
START	B + L + S	NONE

WIRING INSULATED CLIPS  
NOTE: IF WIRING INSULATED CLIPS WERE REMOVED FOR SERVICING OF UNIT, THEY SHOULD BE REPLACED TO PROPERLY SECURE YOUR WIRING.



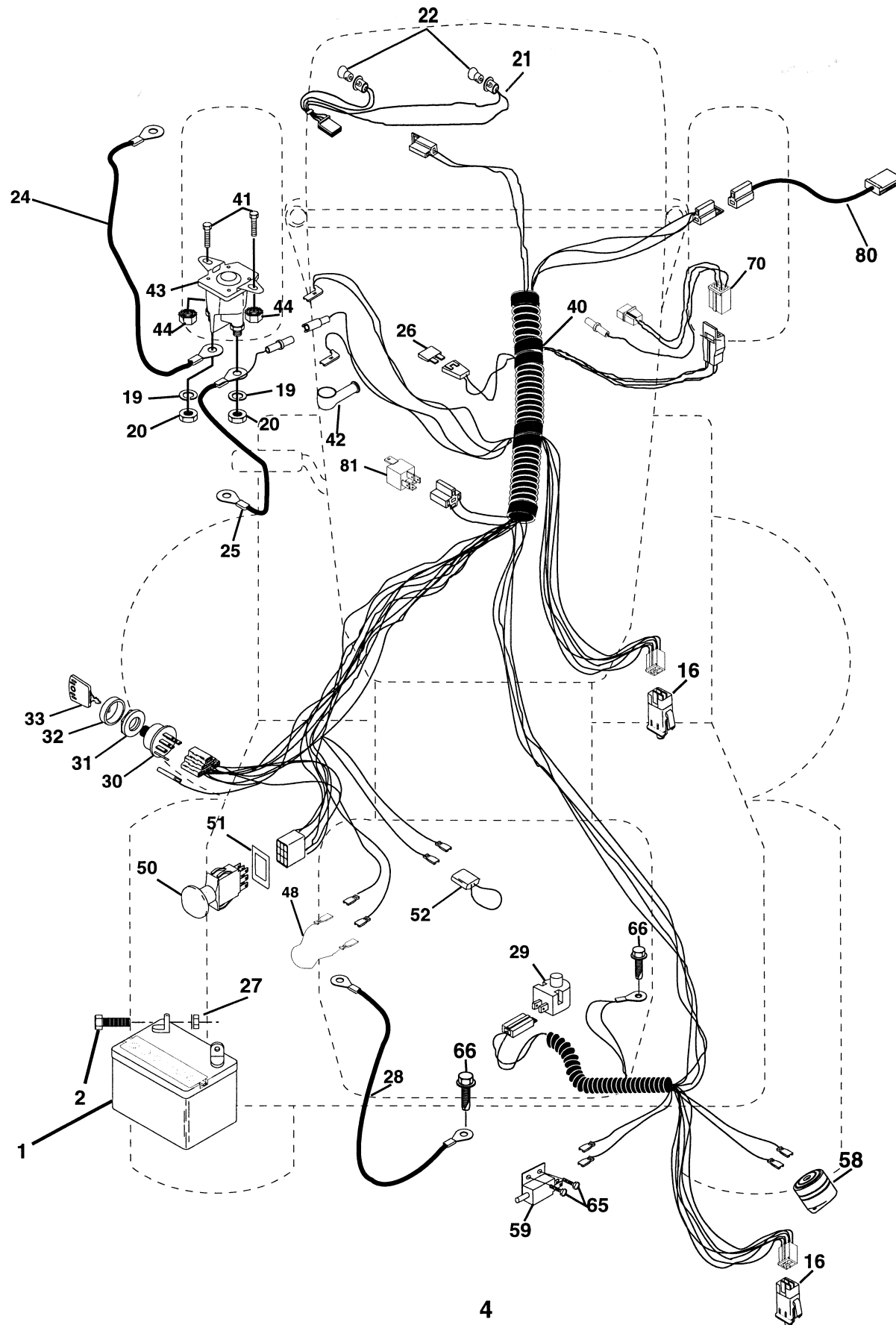
POSITION	CIRCUIT
OFF	C + G, B + H
ON	C + F, B + E, A + D



# REPAIR PARTS

TRACTOR- -MODEL NO. 917. 259460

## ELECTRICAL



### LIMITED TWO YEAR WARRANTY ON CRAFTSMAN RIDING EQUIPMENT

For two (2) years from the date of purchase, if this Craftsman Riding Equipment is maintained, lubricated and tuned up according to the instructions in the owner's manual, Sears will repair or replace, free of charge, any parts found to be defective in material or workmanship.

This Warranty does not cover:

- Expendable items which become worn during normal use, such as blades, spark plugs, air cleaners, belts, etc.
- Tire replacement or repair caused by punctures from outside objects, such as nails, thorns, stumps, or glass.
- Repairs necessary because of operator abuse, negligence, improper storage or accident or the failure to maintain the equipment according to the instructions contained in the owner's manual.
- Riding equipment used for commercial or rental purposes.

### LIMITED 90 DAY WARRANTY ON BATTERY

For ninety (90) days from date of purchase, if any battery included with this riding equipment proves defective in material or workmanship and our testing determines the battery will not hold a charge, Sears will replace the battery at no charge.

IN-HOME WARRANTY SERVICE ON YOUR CRAFTSMAN RIDING EQUIPMENT IS AVAILABLE AT NO-CHARGE FOR 30 DAYS FROM THE DATE OF PURCHASE. PLEASE CONTACT YOUR NEAREST SERVICE CENTER. AFTER 30 DAYS FROM THE DATE OF PURCHASE, WARRANTY SERVICE IS AVAILABLE BY TAKING YOUR CRAFTSMAN RIDING EQUIPMENT TO YOUR NEAREST SEARS SERVICE CENTER. (IN-HOME WARRANTY SERVICE WILL STILL BE AVAILABLE AFTER 30 DAYS FROM THE DATE OF PURCHASE BUT A STANDARD TRIP CHARGE WILL APPLY.) THIS WARRANTY APPLIES ONLY WHILE THIS PRODUCT IS IN THE UNITED STATES.

This Warranty gives you specific legal rights, and you may also have other rights which may vary from state to state.

SEARS, ROEBUCK AND CO., D/817 WA, HOFFMAN ESTATES, IL 60179





# REPAIR PARTS

TRACTOR - - MODEL NUMBER 917.259460

BRIGGS & STRATTON ENGINE - - MODEL NUMBER 28U707, TYPE NUMBER 1175-E1

KEY NO.	PART NO.	DESCRIPTION	KEY NO.	PART NO.	DESCRIPTION
309	693551	Motor-Starter(For Steel Ring Gear Only)	732	94903	Screw (Starter Drive Cover)
310	94003	Bolt (Starter Motor)	733	94673	Screw (Crankshaft Extension)
311	497608	Brush Set	741	262932	Gear-Timing
333	495859	Armature, Magneto	757	213998	Link-Counterweight
334	94731	Screw (Magneto Armature)	758	692423	Counterweight
337	491055	Spark Plug	759	230787	Pin-Counterweight
358	691580	Engine Overhaul Gasket Set	761	94593	Screw (Counterweight)
363	19203	Flywheel Puller	783	693713	Gear-Pinion
365	690227	Stud (Carburetor)	789	497708	Harness, Wiring
383	89838	Wrench-Spark Plug	797	693167	Nut (Brush Retainer)
404	94742	Washer (Governor Crank)	801	497626	Cap-Drive
423	692129	Screw (Air Cleaner Base)	802	497607	Cap-End
445	496894	Filter-Air Cleaner Cartridge	803	497604	Housing-Starter
467	493903	Knob-Air Cleaner	810	231828	Extension Crankshaft
474	392595	Alternator	813	393514	Clamp
493	222934	Bracket-Mounting	830	94555	Stud-Rocker Arm
501	491546	Regulator	847	496415	Dipstick/Tube Assembly
503	806000	Strap-Starter	851	224110	Terminal-Cable
505	231978	Nut (Governor Lever)	868	499236	★+ Seal- Valve
510	693699	Drive, Starter	875	495862	Base, Air Cleaner
513	398003	Clutch-Drive	877	393537	Wire-Alternator
523	495230	Dipstick	914	94863	Screw (Rocker Cover)
524	281370	★ Seal-Fill Tube	934	94627	Screw (Fan Retainer)
525	496113	Tube-Oil Fill	947	497672	Solenoid-Fuel
526	94137	Screw (Regulator)	967	272403	Filter-Pre Cleaner
544	497603	Armature-Starter	968	281361	Cover, Air Cleaner
552	491986	Bushing-Governor Crank	975	495933	Bowl-Float
562	92613	Bolt (Governor Lever)	977	690192	Carburetor Gasket Set
579	92278	Nut (Starter Cable)	987	281166	● Seal-Throttle Shaft
607	94620	Screw (Air Cleaner Base)	996	690678	Shield-Carburetor
601	93053	Clamp-Hose	1005	281400	Fan-Flywheel
614	93306	Pin-Cotter	1006	224413	Retainer-Fan
616	495157	Crank-Governor	1019	496758	Label Kit
634	494453	● Seal & Spring Assembly (LMT 155)	1022	272475	★+ Gasket-Rocker Cover
634A	494455	● Seal & Spring Assembly (LMT 154)	1023	224552	Cover-Rocker
635	280872	Boot, Spark Plug	1026	494432	Rod-Push (Intake)
646	224546	Brace-Air Cleaner	1026A	495136	Rod-Push (Exhaust)
654	94010	Nut (Carburetor)	1029	224554	Arm-Rocker
668	805402	Spacer	1033	691581	Valve Overhaul Kit
692	262715	Spring-Detent	1034	495248	Guide-Push Rod
695	693109	Screw (Ring Gear)	1036	499364	Emissions Label
697	94773	Screw (Drive Cap)	1051	263080	Ring-Retaining
711	94704	Screw (Carburetor Shield)	1058	273683	Owner's Manual
718	230192	Pin-Locating	1081	270920	★ O-Ring Seal
726	— — —	Gear Ring (Steel-Serviced By Ref. No. 23 Only)	1090	497605	Retainer-Brush
727	490324	Cover, Starter Drive	1091	281364	Cap-Limiter
729	281390	Clip, Wire	1119	93621	Screw (Alternator)
729A	691224	Clip, Wire	— —	311707-0026-E1	Replacement Engine

RPM Settings: Low Speed: 1900-2100  
High Speed: 3000-3200

- ★ Included in Gasket Set, Ref Number 358.
- Included in Carburetor Kit, Ref Number 121.  
Included in Carburetor Gasket Set, Ref Number 977.
- + Included in Valve Overhaul Kit, Ref Number 1033.

NOTE: All component dimensions given in U.S. inches  
1 inch = 25.4 mm

# REPAIR PARTS

TRACTOR- -MODEL NO. 917. 259460

ELECTRICAL

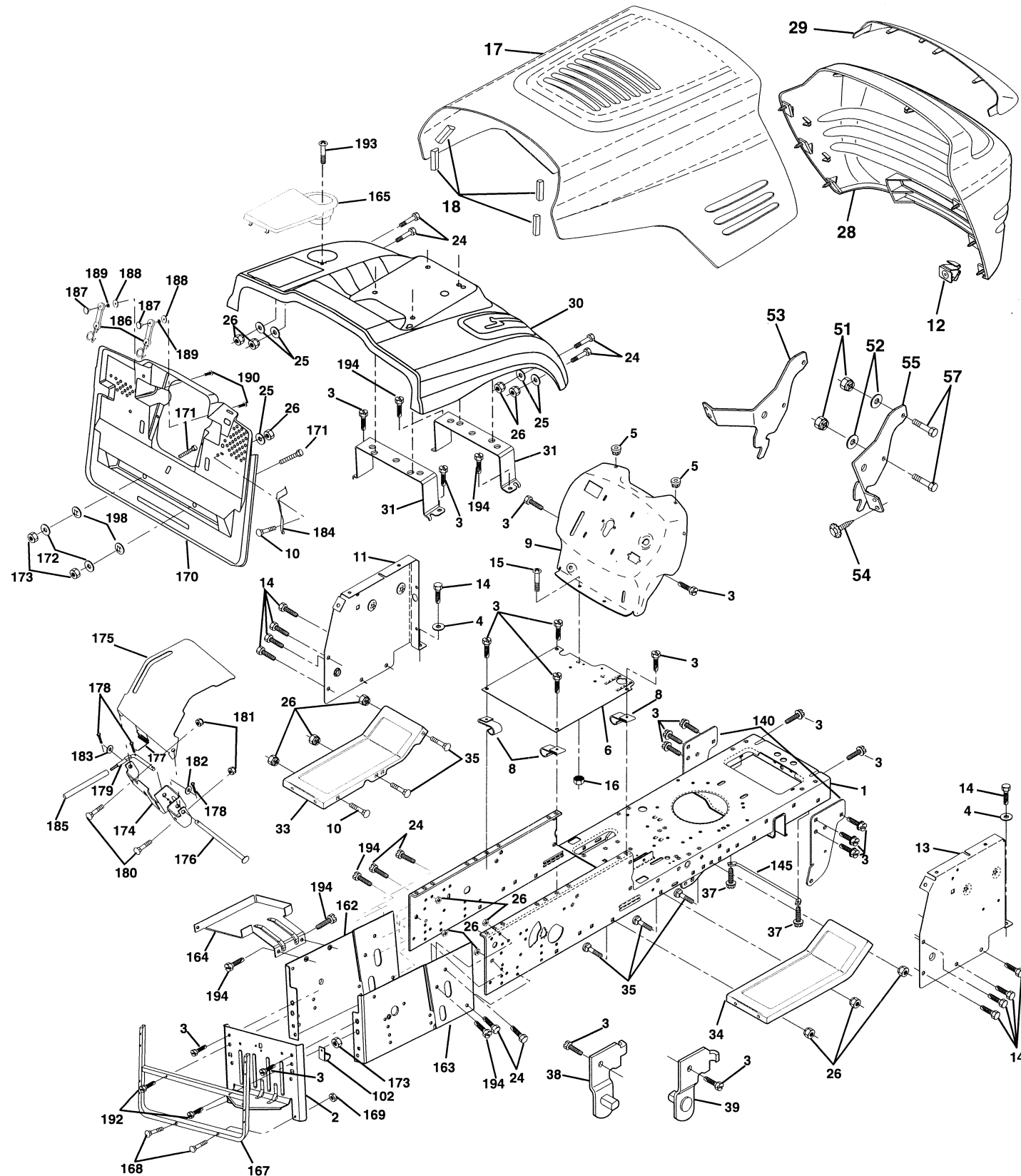
KEY NO.	PART NO.	DESCRIPTION
1	144925	Battery 12 Volt 25 AMP Wet
2	74760412	Bolt Hex Hd 1/4-20 Unc X 3/4
16	153664	Switch Interlock Push-In
19	10090400	Washer Lock 1/4
20	73350400	Nut Jam Hex 1/4-20 Unc
21	166182	Harness Asm Light W/4152J
22	4152J	Bulb Light #1156
24	4799J	Cable Starter 6Ga 11" Red
25	165987	Cable Battery Crd 56" Red
26	166180	Fuse 15 Amp
27	73510400	Nut Keps Hex 1/4-20 Unc
28	127725X	Cable Ground 6Ga 18" Black
29	160784	Switch Plunger Normal Op Olive
30	140301	Switch Ignition 4Pos W/Lights
31	124211X	Nut Ignition #125
32	141226	Cover Switch Ignition #121
33	109310X	Key Ign
40	166158	Harness Ign Crd Elect
41	71110408	Bolt Flk Fin Hex 1/4-20 Unc X 1/2
42	131563	Cover Terminal Red
43	145673	Solenoid
44	73640400	Nut Keps Blk Hex 1/4-20 Unc
48	140844	Adapter Ammeter Rectangular
50	154959	Switch PTO 3PDT Red Delta 96
51	140405	Ring Retainer PTO
52	141940	Protection Wire Loop
58	165943	Buzzer Crd
59	166299	Switch FBI CRD
65	17211008	Screw Slftp #10-16 x 1/2 Ty-Ab
66	17490608	Screw Thdrol 3/8-16 x 1/2 Ty-Tt
70	166668	Harness Engine B&S Reg W/AFTSO
80	146685	Harness Clutch EVX
81	109748X	Relay Asm

NOTE: All component dimensions given in U.S. inches.  
1 inch = 25.4 mm.

# REPAIR PARTS

TRACTOR - - MODEL NO. 917.259460

## CHASSIS AND ENCLOSURES



# REPAIR PARTS

TRACTOR - - MODEL NUMBER 917.259460

## BRIGGS & STRATTON ENGINE - - MODEL NUMBER 28U707, TYPE NUMBER 1175-E1

KEY NO.	PART NO.	DESCRIPTION	KEY NO.	PART NO.	DESCRIPTION
1	496412	Cylinder Assembly	98	495800	Kit-Idle Speed
2	399265	Bushing/Seal Kit	104	231789	● Pin-Float Hinge
3	391086	★ Seal-Oil	105	231855	● Valve-Float Needle
4	494238	Sump-Engine	106	231854	● Seat-Inlet
5	691165	Head-Cylinder	108	224558	Valve-Choke (LMT 155)
7	273280	★+ Gasket-Cylinder Head	108A	224540	Valve-Choke (LMT 154)
8	495735	Breather Assembly	117	232118	● Jet, Main
9	27803	★ Gasket-Breather	121	690191	Carburetor Overhaul Kit
10	94621	Screw (Breather Assembly)	125	499153	Carburetor
12	271916	★ Gasket-Crankcase (.015" Thick, Std.)	127	—	● Plug-Welch (Sold in Kit Only)
	271997	★ Gasket-Crankcase (.005" Thick)	130	224539	Valve-Throttle
	271996	★ Gasket-Crankcase (.009" Thick)	131	494379	Throttle Shaft Kit
13	94728	Screw (Cylinder Head)	133	494381	Float-Carburetor
15	94239	Plug-Oil Drain	137	281165	●◆ Gasket-Float Bowl
16	495162	Crankshaft	141	495097	Choke Shaft Kit (LMT 155)
20	291675	★ Seal-Oil	141A	495931	Choke Shaft Kit (LMT 154)
23	693556	Flywheel (Includes Steel Pinion Gear)	142	232117	I Nozzle-Carburetor
24	222698	Key-Flywheel	146	94196	Key-Timing
25	499284	Piston Assembly (Std.)	165	693148	Nut (Ring Gear)
	499288	Piston Assembly (.010" O.S.)	167	281051	Seal-Air Cleaner Stud
	499292	Piston Assembly (.020" O.S.)	176	281106	★ O-Ring Seal (Air Cleaner Base)
	499296	Piston Assembly (.030" O.S.)	186	493496	Connector-Hose
26	495854	Ring Set, Piston (Std.)	187	298049	Line-Fuel (Cut to Required Length)
	495852	Ring Set (.010" O.S.)	188	94098	Screw (Choke Valve)
	495851	Ring Set (.020" O.S.)	192	492160	Adjuster, Rocker Arm
	495855	Ring Set (.030" O.S.)	202	262767	Link-Mechanical Governor
27	263129	Lock-Piston Pin	209	260695	Spring, Governor
28	498319	Pin-Piston (Std.)	216	262766	Link-Choke
	498320	Pin Assembly-Piston (.005" O.S.)	222	495611	Bracket, Control
29	494504	Rod-Connecting (Std.)	227	493935	Lever-Governor
	495490	Rod-Connecting (.020 U.S.)	231	94620	Screw (Control Bracket)
32	94695	Screw (Connecting Rod)(1-7/8")	232	262785	Spring-Link
32A	94648	Screw (Connecting Rod)(1-5/8")	238	262836	Cap, Valve
33	495856	Valve-Exhaust	240	394358	Filter-Fuel
34	495857	Valve, Intake	258	95187	Screw (Engine Sump)
35	262811	Spring, Intake Valve	265	221535	Clamp-Casing
36	262811	Spring, Exhaust Valve	267	93496	Screw (Casing Clamp)
37	224502	Guard-Flywheel	267	93496	Screw (Casing Clamp)
40	224641	Retainer, Valve	268	65616	Casing-Control Wire (Cut to Required Length)
43	490815	Governor-Oil Slinger	269	26633	Wire-Control (Cut to Required Length)
45	262411	Tappet, Valve	270	63426	Nut (Control Wire Casing)
46	496884	Cam Gear	271	290568	Lever-Control
48	496050	ShortBlock	276	281164	●◆ Sealing Washer
50	690193	Manifold, Intake	287	94903	Screw (Oil Fill Tube)
617	693138	★+ O-Ring Seal (Intake Manifold)	304	496280	Housing-Blower
51	273650	★◆ Gasket-Intake	305	94786	Screw (Blower Housing)
54	95160	Screw (Intake Manifold)	306	224696	Shield, Cylinder
73	494439	Screen-Rotating	307	94930	Screw (Cylinder Shield)
74	94832	Screw (Rotating Screen)			
75	224061	Washer (Flywheel)			
78	93705	Screw (Flywheel Guard)			
87	491323	★ Seal-Governor Shaft			
93	281346	● Bushing-Throttle Shaft			
94	498030	Kit-Idle Adjustment			
95	94098	● Screw (Throttle Valve)			

RPM Settings: Low Speed: 1900-2100  
High Speed: 3000-3200

★ Included in Gasket Set, Ref Number 358.  
● Included in Carburetor Kit, Ref Number 121.  
◆ Included in Carburetor Gasket Set, Ref Number 977.  
+ Included in Value Overhaul Kit, Ref Number 1033.

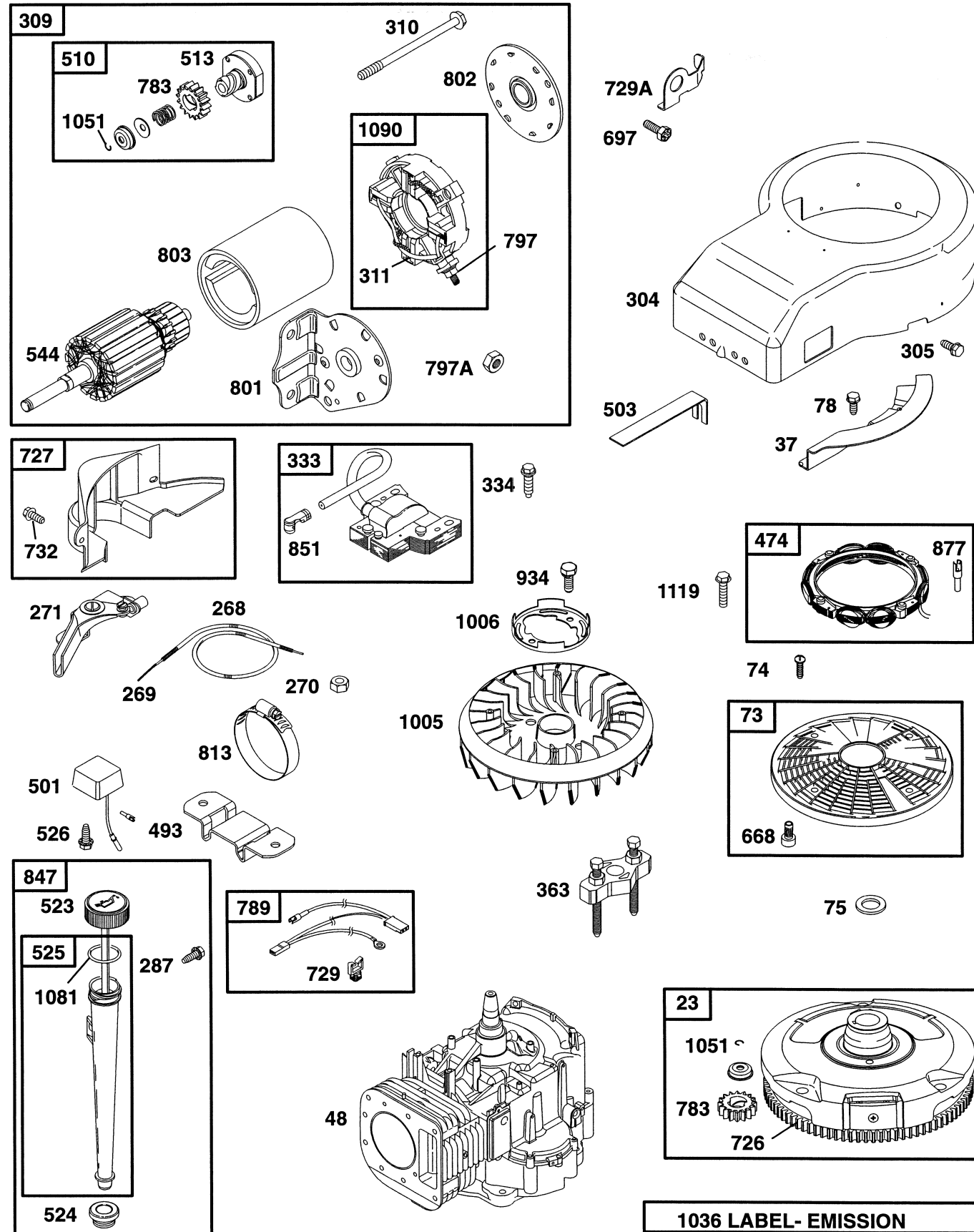
NOTE: All component dimensions given in U.S. inches  
1 inch = 25.4 mm



# REPAIR PARTS

TRACTOR - - MODEL NUMBER 917.259460

BRIGGS & STRATTON ENGINE - - MODEL NUMBER 28U707, TYPE NUMBER 1175-E1



# REPAIR PARTS

TRACTOR- -MODEL NO. 917.259460

CHASSIS AND ENCLOSURES

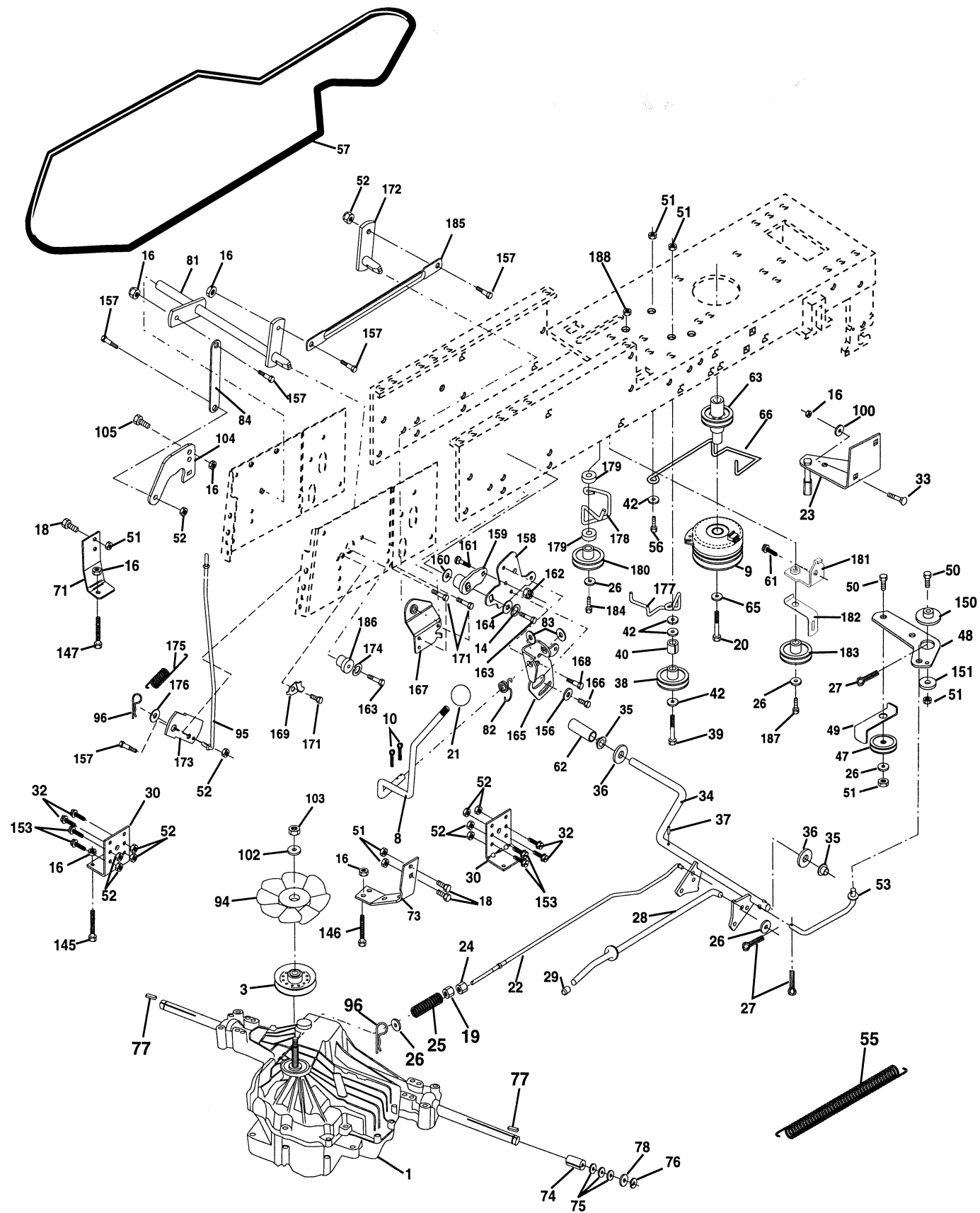
KEY NO.	PART NO.	DESCRIPTION	KEY NO.	PART NO.	DESCRIPTION
1	165480	Chassis Assembly	102	2751R	Clip line Fule 13/32 Mtg Hole
2	165606	Drawbar	125	74180412	Screw Mach Cr. 1/4-20 x 3/4
3	17490612	Screw, Thd. Roll. 3/8-16 x 3/4	140	158418	Bracket Front Suspension
4	19131216	Washer 13/32 x 3/4 x 16 Gauge	145	156524	Rod Pivot Chassis/Hood
5	155272	BumperHood/Dash	162	165672	Bracket Exten Chassis Lh CRD
6	155923	Saddle	163	165673	Bracket Exten Chassis Rh CRD
8	126471X	Clip Insulator 13/32 Mtg. Hole	164	165605	Support Battery CRD
9	147631X011	Dash	165	165742X428	Cover Battery CRD Lt
10	72140608	Bolt, Carriage 3/8-16 x 3/4	167	165779	Support Asm. Backplate WLDMNT
11	155927	Panel, Dash, L.H.	168	72050412	Bolt, RDHD SHT NK 1/4-20 x 1-1/2
12	145660	Clip, Tinnerman Grille P/L	169	123976X	Nut, Lock 1/4 LGE FLG Gr. 5 Zinc
13	155936	Panel, Asm. Dash R.H.	170	165607	Cover, Backplate Plastic Black
14	17490608	Screw Thdrol 3/8-16 x 1/2	172	19132016	Washer 13/32 x 1-1/4 x 16 Ga.
15	74180512	Screw, Machine, Truss Head 5/16-18 UNC x 3/4	173	73510600	Nut, Keps Hex 3/8-16 UNC
16	73510500	Nut	174	165939	Bracket Switch FBI CRD
17	144983X558	Hood Assembly	175	166212	Guard Door Rear CRD
18	126938X	BumperHood	176	128600	Pin Hinge Pivot
20	156437	Plate Mtg. Battery/Fuel Tank	177	132796	Spring Bagger Top LH Black
24	74780616	Bolt	178	76020312	Pin Cotter 3/32 x 3/4 Cad Zinc
25	19131312	Washer 13/32 x 13/16 x 12 Gauge	179	165942	Rod Pivot FBI CRD
26	73800600	Nut	180	74760516	Bolt Hex HD 5/16-18 UNC x 1
28	145198X558	Grille PL	181	73680500	Nut Crownlock 5/16-18
29	155217X599	Lens, Grille	182	138200	Washer .385 x .625 x 11 Ga.
30	165714X598	Fender	183	19131316	Washer 13/32 x 13/16 x 16 Ga.
31	165156	Bracket, Fender Support	184	166139	Bracket Actuator Bagger CRD
33	145244X558	Footrest, L.H.	185	165940	Tube Lever Switch FBI CRD
34	145243X558	Footrest, R.H.	186	160793	Latch Asm Mulch/Bagger
35	72110606	Bolt	187	2029J	Nut Weld .327/.304 #10-24
37	17490508	Screw Thdrol 5/16-18 x 1/2 TYT	188	19061216	Washer #10
38	139886	Pivot Bracket Assembly, L.H.	189	10071000	Washer Lock #10
39	139887	Pivot Bracket Assembly, R.H.	190	71161010	Screw Truss Hd Phil 10-24 x 5/8
51	73800400	Nut Lock w/Insert 1/4-20 UNC	192	17490624	Screw Thdrol 3/8-16 x 1-1/2
52	19091416	Washer 9/32 x 7/8 x 16 Ga.	193	17720410	Screw Hex Thd Cut 1/4-20 x 5/8
53	145201	Bracket, Grille LH	194	17490612	Screw Thdrol 3/8-16 x 3/4 TY-TT
54	161464	Screw Hex WSHD 8-18 x 7/8	198	168937	Nut, Push
55	145202	Bracket, Grille RH	--	5479J	Plug, Button
57	74780412	Bolt, Fin Hex 1/4-20 UNC x .75			
58	150127	Duct Air Engine Pl/Lt			

**NOTE:** All component dimensions given in U.S. inches.  
1 inch = 25.4 mm.

# REPAIR PARTS

TRACTOR--MODEL NO. 917.259460

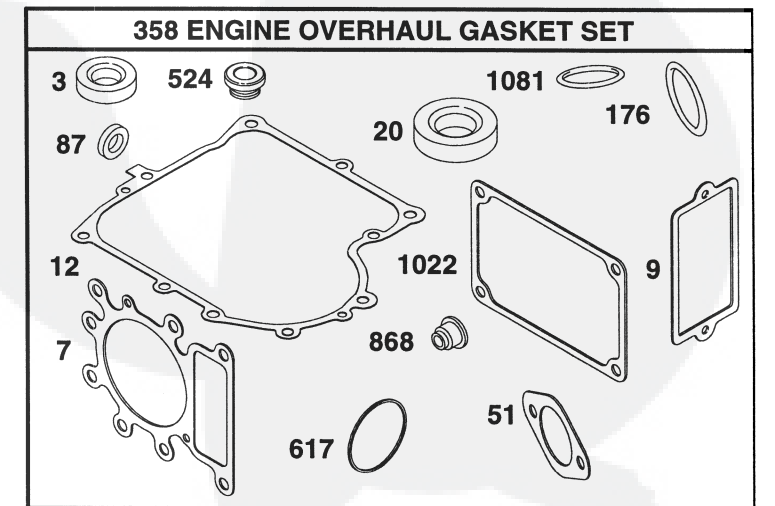
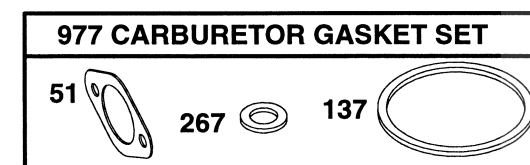
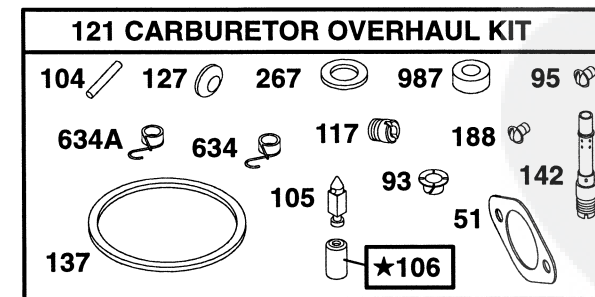
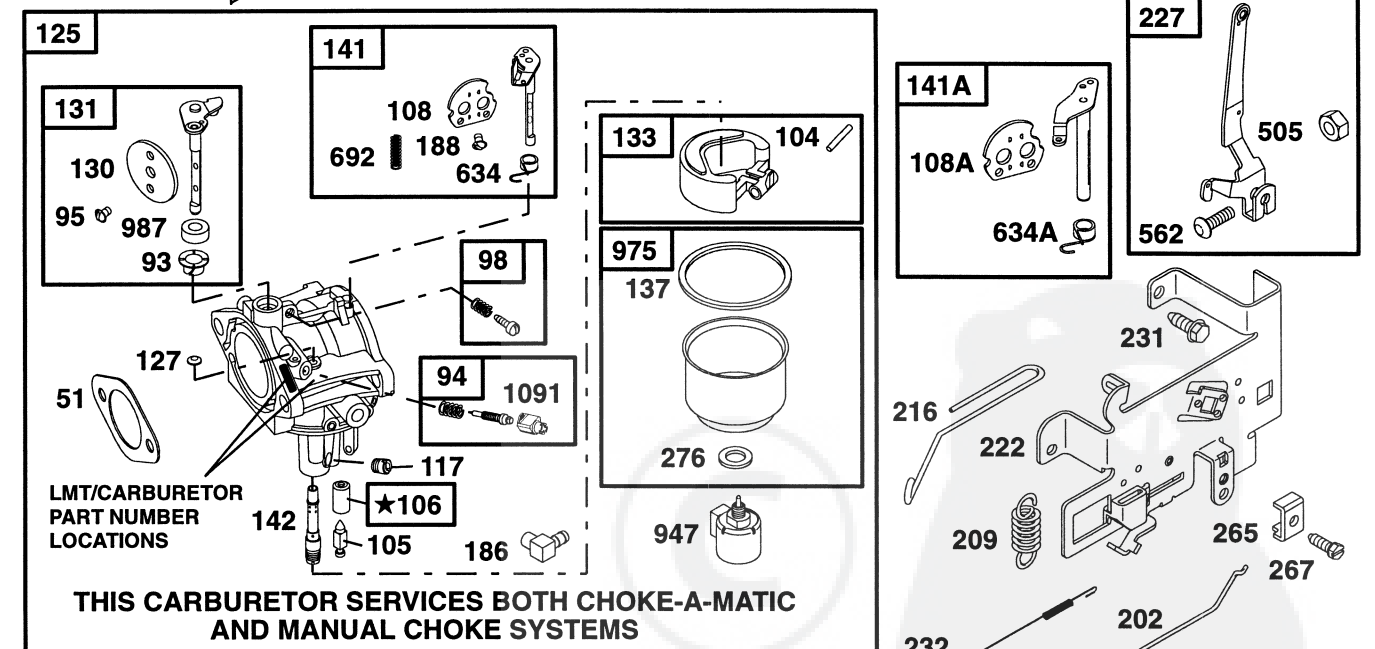
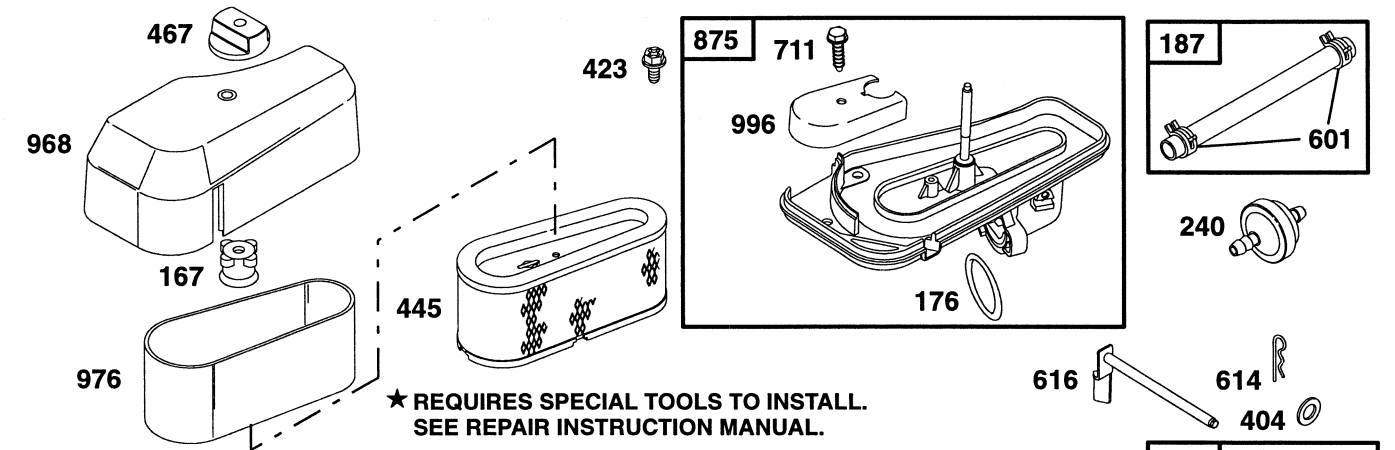
DRIVE



# REPAIR PARTS

TRACTOR -- MODEL NUMBER 917.259460

BRIGGS & STRATTON ENGINE -- MODEL NUMBER 28U707, TYPE NUMBER 1175-E1



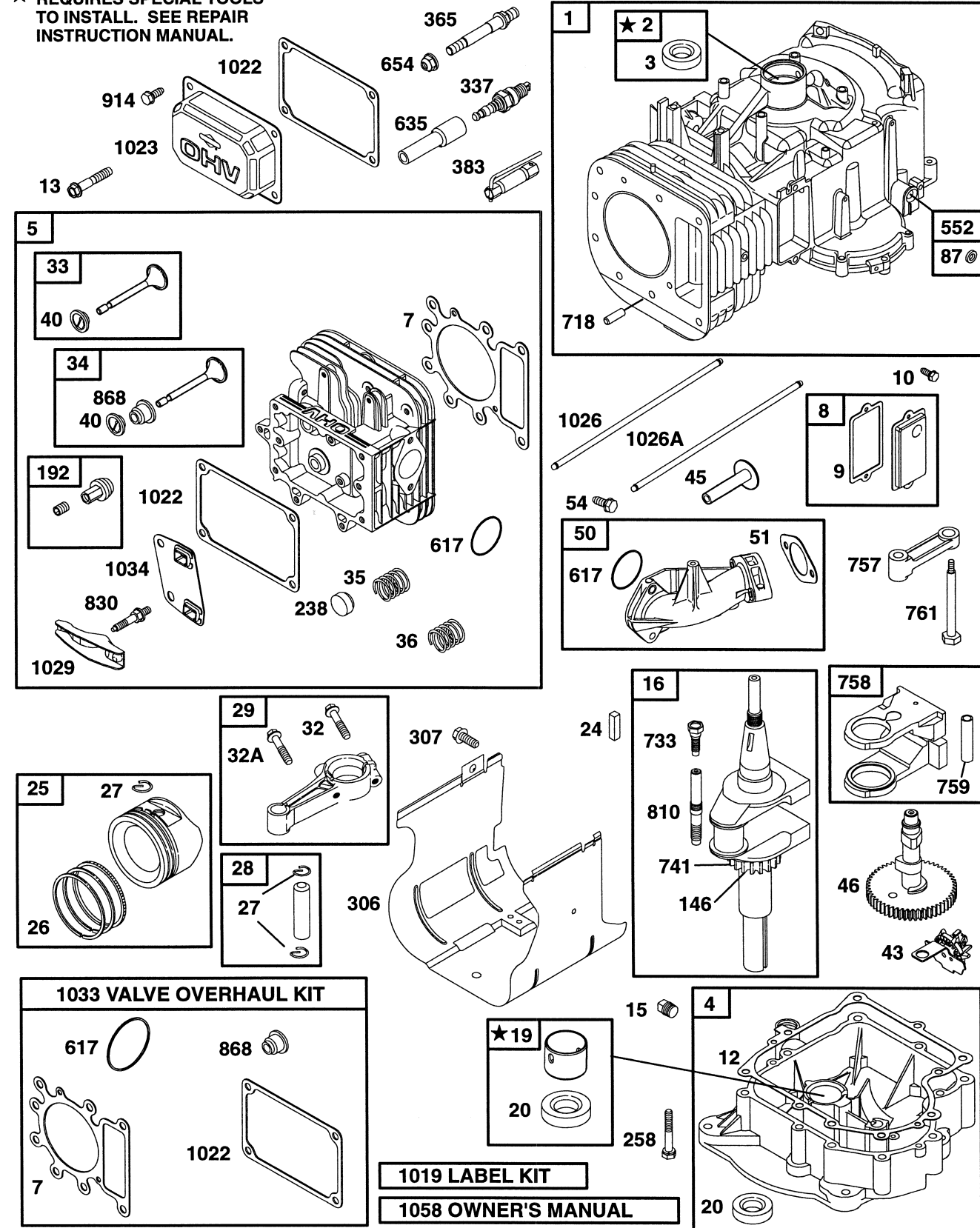


# REPAIR PARTS

TRACTOR - - MODEL NUMBER 917.259460

BRIGGS & STRATTON ENGINE - - MODEL NUMBER 28U707, TYPE NUMBER 1175-E1

★ REQUIRES SPECIAL TOOLS TO INSTALL. SEE REPAIR INSTRUCTION MANUAL.



# REPAIR PARTS

TRACTOR- -MODEL NO. 917.259460

DRIVE

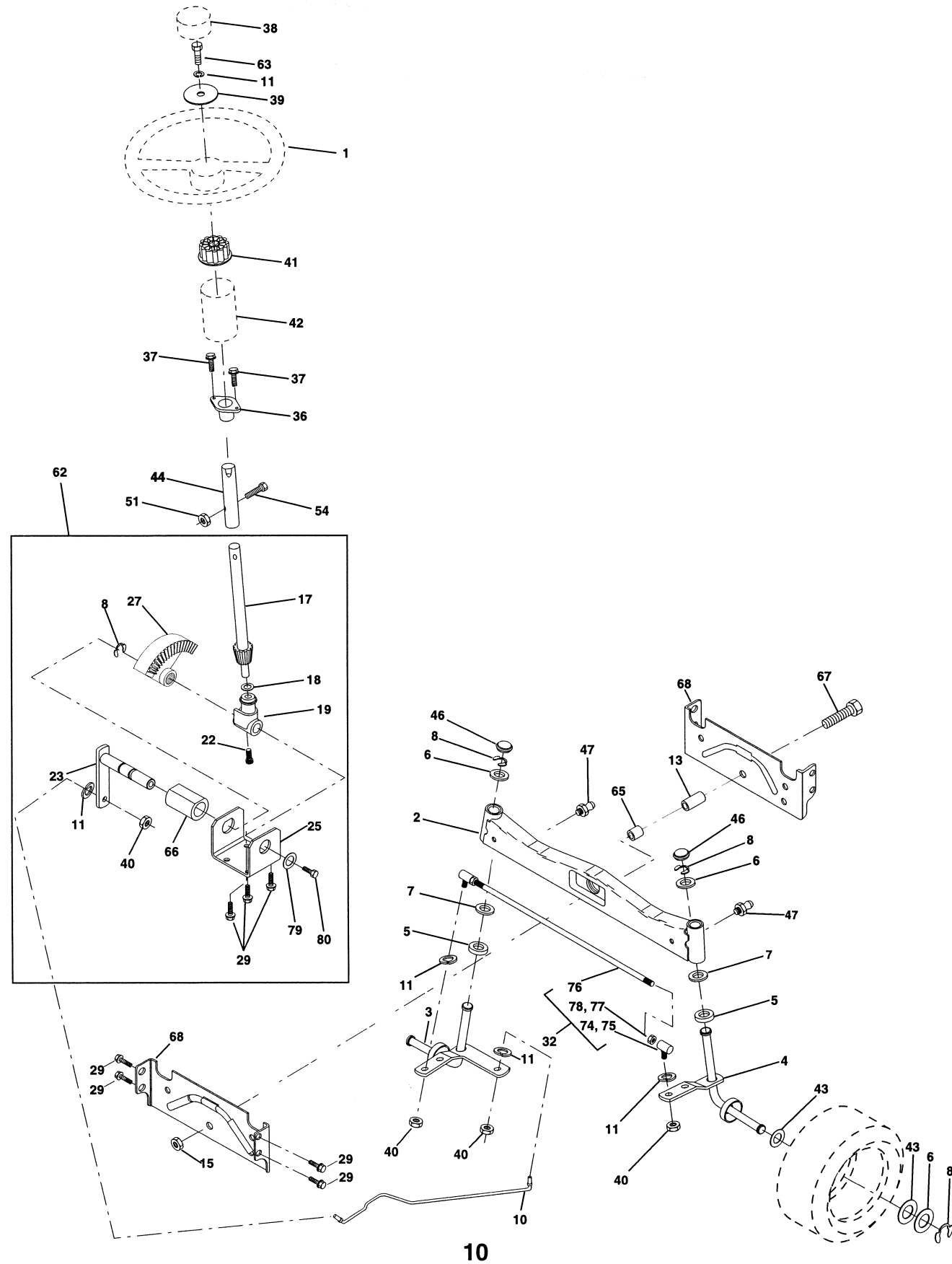
KEY NO.	PART NO.	DESCRIPTION	KEY NO.	PART NO.	DESCRIPTION
1	-----	Transaxle Hydro Gear 331-0650 (See transaxle breakdown)	81	165585	Asm, Shaft
3	143995	Pulley Hydro 0650 Lt/CRD	82	123782X	Spring, Torsion
8	165619	Rod, Shift Fender Adjust Lt	83	19171216	Washer 17/32 x 3/4 x 16 Ga.
9	167162	Clutch Ele EVX 80 W/Hard Brake	84	165629	Link, Transaxle
10	76020416	Pin, Cotter 1/8 x 1	94	140462	Fan 7"
14	10040400	Washer, Lock Hvy Helical	95	165935	Control Asm Bypass Hydro
16	73800500	Nut, Lock Hex w/Ins 5/16-18 UNC	96	4497H	Spring, Retainer 1"
18	74780616	Bolt Hex 3/8-16 UNC x 1 Gr.5	100	19111216	Washer 11/32 x 3/4 x 16 Ga.
19	73800600	Nut, Lock Hex w/Wsh 3/8-16 UNC	102	141322	Washer, Bellville .50ID x 1.50D
20	150280	Bolt, Hex 7/16-20 x 4-1/4 5 Ga 1.38	103	73940800	Nut, Hex Jam Toplock 1/2-20 UNF
21	130564	Knob Deluxe 1/2-13 UNC	104	140156	Arm, Control Hydro
22	165688	Rod, Brake CRD 0650	105	71070516	Screw Cap Hex 5/16 x 18 Unc-1
23	154978	Bracket asm Clutch Mtg. EVX 97	145	74490540	Bolt Hex FGHD 5/16-18 x Gr 5
24	73350600	Nut	146	74490536	Bolt Hex FLGHD 5/16-18 x 2-1/4
25	106888X	Spring, Rod, Brake	147	74490524	Bolt Hex FLGHD 5/16-18 x 1-1/2
26	19131316	Washer 13/32 x 13/16 x 16 Ga.	150	165850	Bushing, Bellcrank Grnd Dr
27	76020412	Pin, Cotter 1/8 x 3/4	151	19133210	Washer 13/32 x 2 x 10 Ga.
28	145204	Rod, Parking Brake	153	74760516	Bolt Hex Hd 5/16-18 Unc x 1
29	124236X	Cap, Parking Brake	156	166002	Washer Srrted 5/16ID x 1.125
30	130807	Bracket, Mfg. Transaxle	157	153236	Bolt Shoulder 5/16-18 Unc 2A
32	74760512	Bolt Hex 5/16-18 UNC x 3/4	158	165589	Bracket Shift Mount
33	72140506	Bolt Rdhd Sqnk 5/16-18 Unc x 3/4	159	165494	Hub Tapered Flange Shift Lt
34	165496	Shaft, Asm Pedal Foot CRD	160	19292016	Washer 29/32 x 1-1/4 x 16 Ga.
35	120183X	Bearing, Nylon	161	72140406	Bolt Rdhd Sqnk 1/4-20 x 3/4 Gr 5
36	19211616	Washer 21/32 x 1 x 16 Ga.	162	73680400	Nut Crownlock 1/4-20 Unc
37	1572H	Pin, Roll 3/16 x 1"	163	74780416	Bolt Hex Fin 1/4-20 Unc x 1 Gr 5
38	165630	Pulley, Idler, Flat 1.88"CRD	164	19091010	Washer 5/8 x .281 x 10 Ga.
39	74760644	Bolt Fin Hex 3/8-16 x 2-3/4	165	165623	Bracket Pivot Lever
40	4470J	Spacer, Split 395 x 59 Bzp	166	166880	Screw 5/16-18 x 5/8
42	19131312	Washer 13/32 x 13/16 x 12 Ga.	167	165588	Bracket Support Shift CRD
47	127783	Pulley, Idler, V Groove Plasic	168	165492	Bolt Shoulder 5/16-18 x .561
48	154407	Bellcrank Clutch Grnd Drv	169	165580	Plate Fastening Lt
49	123205X	Retainer, Belt Style Spring	171	17490608	Screw Thdrol 3/8-16 x 1/2 Ty-Tt
50	74760624	Bolt Hex Hd 3/8-16 UNC x 1-1/2	172	165541	Link Shift CRD Hydro 0650
51	73680600	Nut, Crownlock 3/8-16 UNC	173	165934	Bracket Hydro Bypass CRD
52	73680500	Nut Crownlock 5/16-18	174	10090400	Washer Lock 1/4
53	105710X	Link, Clutch 7.66	175	165931	Spring Bypass CRD
55	105709X	Spring, Return, Clutch	176	19070816	Washer 7/32 x 1/2 x 16 Ga.
56	74760620	Bolt, Hex 3/8-16 UNC x 1-1/4	177	165932	Keeper Flat Idler 3.06" CRD
57	165632	V-Belt Kev 112" 0650 CRD	178	165933	Keeper Belt Idler 1.88" CRD
61	17490612	Screw, Thdrol 3/8-16 x 3/4 Ty-TT	179	120958X	Washer Sintered
62	8883R	Cover, Pedal	180	165936	Pulley Flat Composite 3.06"
63	145868	Pulley, Clutch elect EVX 1"	181	165797	Bracket Idler Ground Drive CRD
65	10040700	Washer	182	165634	Keeper Belt 2.5" Od V-Idler CRD
66	154778	Keeper, Belt Engine F-Proof	183	165626	Pulley V-Idler 2.50" Od CRD
71	140158	Strap, Torque, Lh	184	17490644	Screw Hexwsh Thdrol 3/8-16 x 2-3/4
73	156347	Strap, Torque, Rh	185	165587	Shaft Asm Shifter Frt CRD 0650
74	121199X	Spacer, Split	186	165614	Hub Tapered Round CRD
75	121749X	Washer 25/32 x 1-1/4 x 16 Ga.	187	17490620	Screw Thdrol 3/8-16 x 1-1/4 TT
76	12000001	Ring, E	188	110436X	Bushing Snap Split
77	123583X	Key, Square			
78	121748X	Washer 25/32 x 1-5/8 x 16 Ga.			

NOTE: All component dimensions given in U.S. inches  
1 inch = 25.4 mm

# REPAIR PARTS

TRACTOR - - MODEL NO. 917.259460

## STEERING ASSEMBLY



# REPAIR PARTS

TRACTOR - - MODEL NUMBER 917.259460

## HYDRO GEAR TRANSAXLE - MODEL NUMBER 331-0650

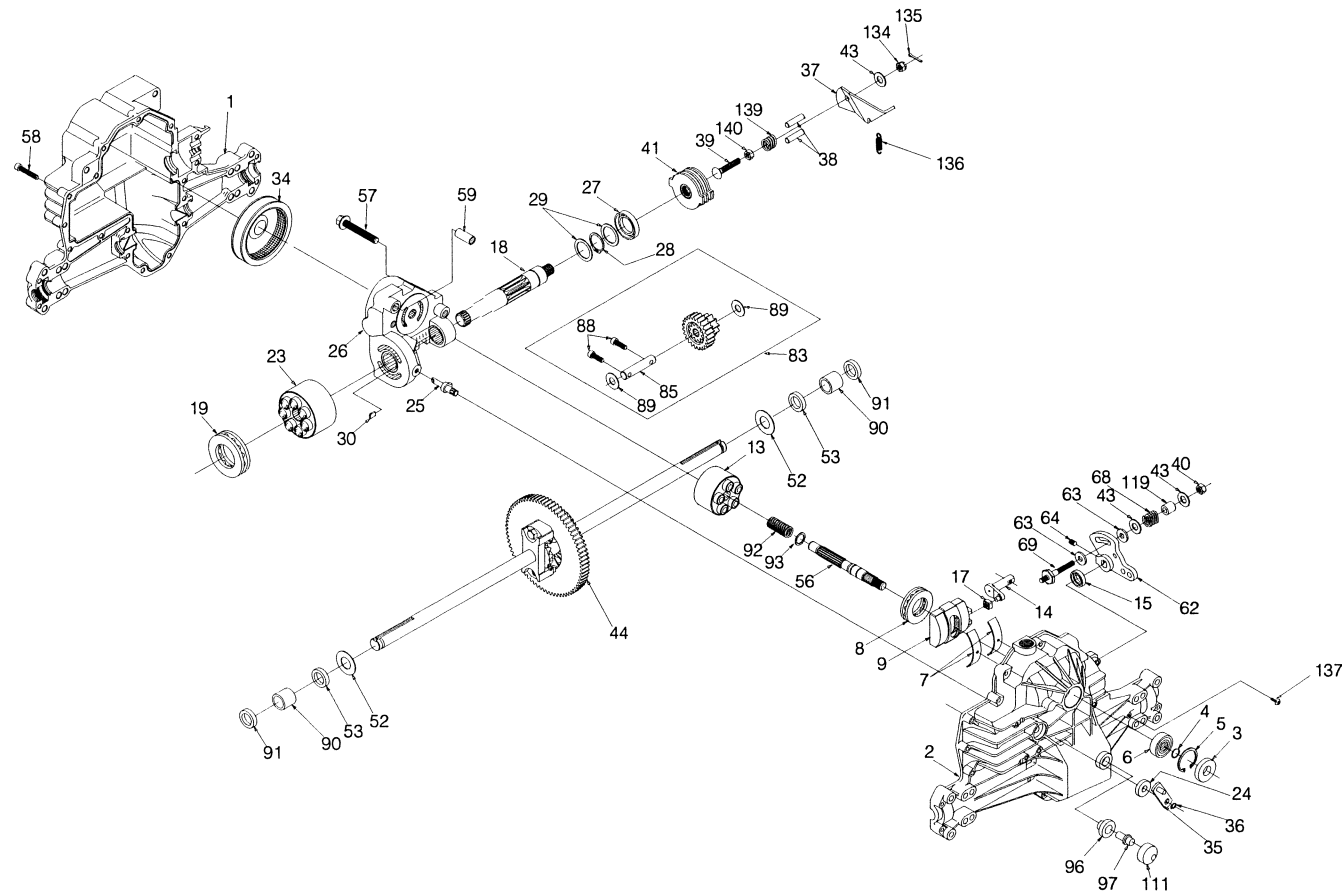
KEY PART NO. NO.	DESCRIPTION	KEY PART NO. NO.	DESCRIPTION	
1	142930	43	142884	WASHER - 7/16X7/8X0.060
2	169049	44	150829	DIFFERENTIAL ASS'Y
3	142932	52	142991	WASHER - 3/4X1.5X0.13
4	142928	53	142961	SEAL - 0.75X1.25X0.250
5	142933	56	142963	SHAFT - INPUT
6	142934	57	150797	BOLT - 3/8-24X2.5
7	142935	58	142964	BOLT - 1/4-20X1.38
8	150771	59	142965	PIN - 0.5 ODX 0.43 IDX0.750
9	142937	62	142966	ARM - CONTROL
13	169050	63	142967	PUCK - DAMPENER
14	149939	64	142920	SET SCREW
15	142940	68	142969	SPRING
17	142941	69	161134	5/16-24 STUD
18	150772	83	169053	JACK SHAFT/PINION GEAR
19	150773	85	150806	JACK SHAFT
23	142944	88	142973	CAPSCREW 6MX20 LG
24	142945	89	142974	WASHER 7/16X1X0.5
25	142946	90	142975	SLEEVE BEARING
26	169051	91	169054	SEAL - LIP 0.75X1.00X0.158
27	142948	92	142977	SPRING - BLOCK
28	142949	93	142978	WASHER - BLOCK THRUST
29	142950	96	169055	BUSHING - VENT
30	150787	97	169056	VENT
34	142951	111	169057	VENT
35	142952	119	142980	SPACER
36	142953	134	142885	CASTLE NUT - 5/16-24
37	169052	135	142886	COTTER PIN
38	142955	136	169058	EXTENSION SPRING
39	150777	137	161175	SCREW - 10-32X1/2
40	150778	139	150775	COMPRESSION SPRING
41	142958	140	150776	NUT - HEX 5/16-18

NOTE: All component dimensions given in U.S. inches  
1 inch = 25.4 mm

# REPAIR PARTS

TRACTOR - - MODEL NUMBER 917.259460

HYDRO GEAR TRANSAXLE - MODEL NUMBER 331-0650



# REPAIR PARTS

TRACTOR- -MODEL NO. 917.259460

STEERING ASSEMBLY

KEY NO.	PART NO.	DESCRIPTION
1	139768	Steering Wheel
2	137094	Front Axle Assembly
3	157479	Spindle Assembly, L.H.
4	157478	Spindle Assembly, R.H.
5	6266H	Bearing, Race, Thrust, Hardened
6	121748X	Washer 25/32 x 1-5/8 x 16 Gauge
7	19272016	Washer 27/32 x 1-1/4 x 16 Gauge
8	12000029	Ring, Klip
10	154432	Link, Drag
11	10040600	Washer, Lock
13	167118	Spacer Axle
15	73901000	Nut, Lock, Flange 5/8-11 UNC
17	156546	Shaft Assembly, Steering
18	57079	Washer, Thrust .515 x .750 x .033
19	160395	Support, Shaft
22	165857	Screw Hex Wshhd Torx
23	165851	Pittman Shaft Assembly
25	154406	Bracket, Steering
27	136874	Gear, Sector
29	17490612	Screw, Thd., Roll. 3/8-16 x 3/4
32	137347	Rod, Tie
36	155099	Bushing, Steering
37	152927	Screw TT #10-32 x 5 x 3/8 Flange
38	139769	Cap Wheel Steering
39	19133808	Washer 13/32 x 2-3/8 x 8 Gauge
40	7810H	Nut Lock Center 3/8-24 Unf
41	100711L	Adaptor, Steering Wheel
42	145054	Boot, Steering Dash P/L Mtl
43	121749X	Washer 25/32 x 1-1/4 x 16 Gauge
44	153720	Extension Steering Non-Adjust
46	121232X	Cap, Spindle
47	6855M	Fitting, Grease
51	73800500	Nut Lock Hx W/Ins 5/16-18 UNC
54	74780520	Bolt Fin Hex 5/16-18 UNC x 1-1/4
62	167902	Kit, Steering Assembly, Service
63	74780616	Bolt Fin Hex 3/8-16 unc. x 1 Gr. 5
65	154780	Spacer Axle
66	154404	Bearing Arm Pittman
67	74781044	Bolt Fin Hex 5/8-11unc x 2-3/4
68	154429	Brace Axle
74	109850X	Joint Asm Ball Rh Service
75	109851X	Joint Asm Ball Lh Service
76	137156	Rod Tie Ball J Adj. VGT Service
77	73700600	Nut Hex Jam 3/8-24 Unf Lh
78	73360600	Nut Hex Jam 3/8-24
79	19132012	Washer 13/32 x 1-1/4 x 12 Ga
80	74950612	Bolt Hex Nylon 3/8-16 x 3/4

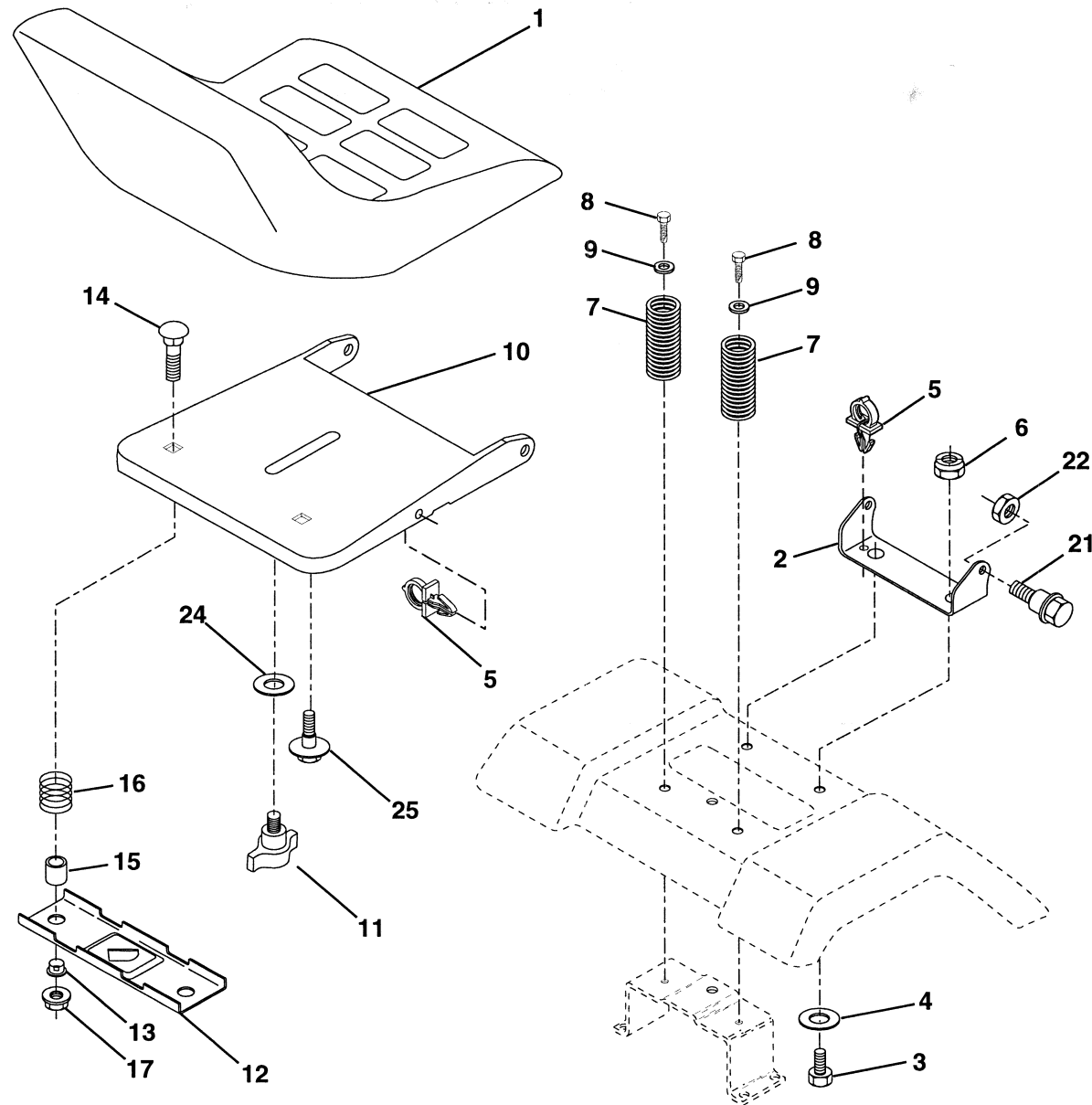
**NOTE:** All component dimensions given in U.S. inches.  
1 inch = 25.4 mm.



# REPAIR PARTS

TRACTOR- -MODEL NO. 917.259460

## SEAT ASSEMBLY



KEY NO.	PART NO.	DESCRIPTION
1	140123	Seat
2	140551	Bracket Pnt Pivot Seat (blk )
5	145006	Clip Push In Hinged
7	124181X	Spring Seat Cprsn 2 250 Blk Zi
8	17490616	Screw Thdrol 3/8-16 X 1 Ty-tt
9	19131614	Washer 13/32 X 1 X 14 Ga
10	155925	Pan Pnt Seat (blk )
11	166369	Knob Seat Adj Wingnut
12	121246X	Bracket Pnt Mounting Switch
13	121248X	Bushing Snap Blk Nyl 50 Id
14	72050412	Bolt Rdhd Sht Nk 1/4-20x1-1/2

KEY NO.	PART NO.	DESCRIPTION
15	134300	Spacer Split .28 X .96 Zinc
16	121250X	Spring Cprsn
17	123976X	Nut Lock 1/4 Lge Flg Gr 5 Zinc
21	153236	Bolt Shoulder 5/16-18 Unc-2A
22	73800500	Nut Hex Lock w/Ins 5/16-18
23	74780814	Bolt Fin Hex 3/8-16 x 7/8 Gr 5
24	19171912	Washer 17/32 X 1-3/16 X 12 Ga.
25	127018X	Bolt Shoulder 5/16-18 X 62
26	10040800	Washer Lock Hvy Hlcl Spr 1/2

**NOTE:** All component dimensions given in U.S. inches.  
1 inch = 25.4 mm

# REPAIR PARTS

TRACTOR- -MODEL NO. 917.259460

## BAGGER

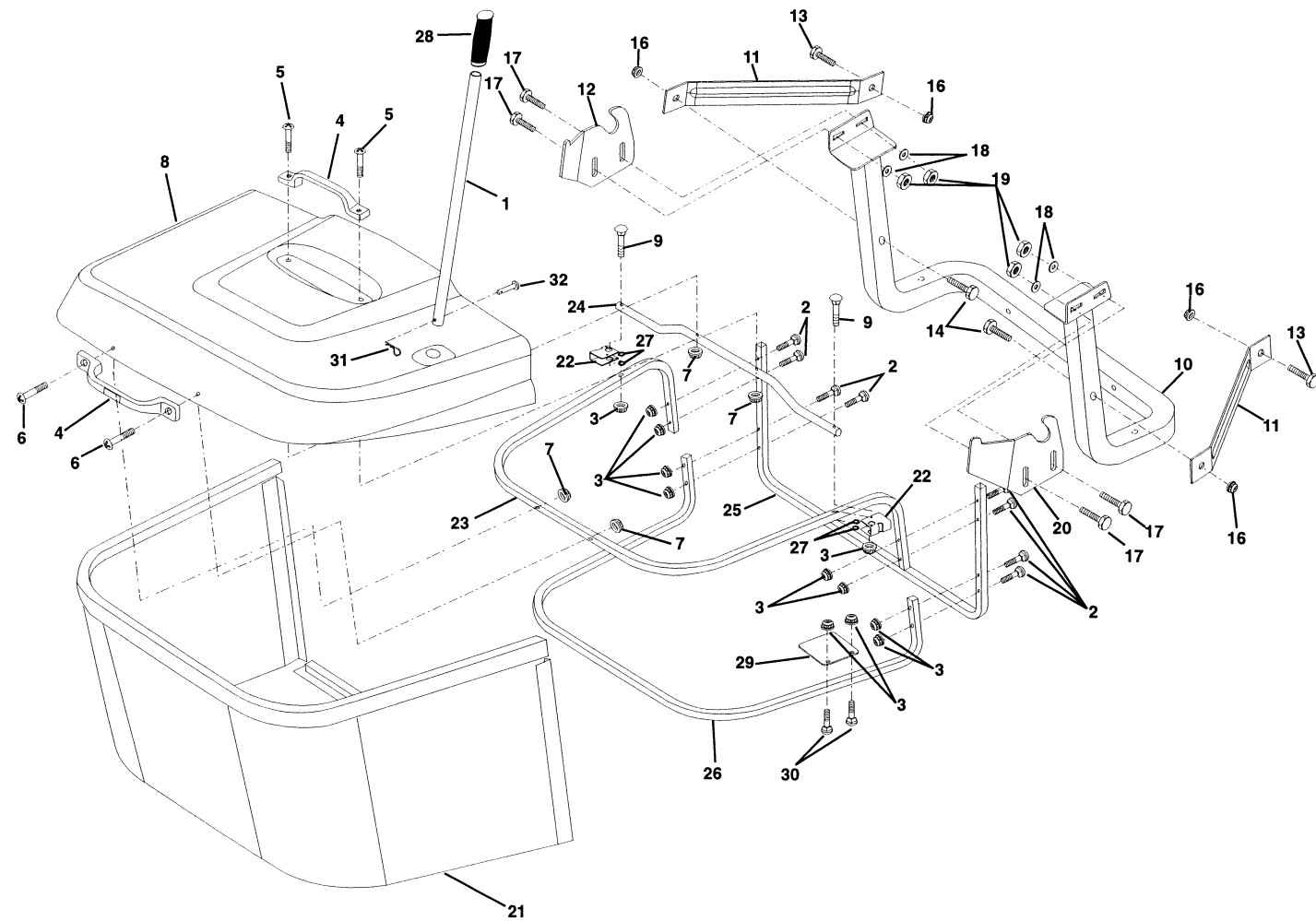
KEY NO.	PART NO.	DESCRIPTION
1	165249	Tube Handle Bagger CRD
2	72140416	Bolt Carriage 1/4-20 x 2.0 Gr.5
3	123976X	Nut Lock 1/4 Lge Flg Gr. 5 Zinc
4	165693	Handle Grab Plastic Black
5	74981024	Screw Pan Head #10-24 x 1.50 Blk
6	74981032	Screw Pan Hd
7	73401000	Nut Wiz Lock Hex Serr/Hd 10-24
8	165715X558	Cover Bagger Plastic CRD MS558
9	72140418	Bolt Carriage 1/4-20 x 2.25d x Gr.5
10	165716	Support AsmWldmnt Bagger CRD
11	165719	Bracket Support Upper Bag CRD
12	165735	Bracket Pivot Bagger Lh CRD
13	72110606	Bolt Rdhd Sht Sqnk 3/8-16 x 3/4
14	74520640	Bolt Hex 3/8-16 x 2-1/2 Gr.5
16	73900600	Nut Lock Flg 3/8-16 Unc
17	72140506	Bolt Rdhd Sht Sqnk 5/16 -18 Unc x 3/4
18	19112016	Washer 11/32 x 1.25 x 16 Ga.
19	73800500	Nut Lock Hex W/Ins 5/16-18 Unc Pl
20	165736	Bracket Pivot Bagger RH CRD
21	165780	Bag Asm CRD
22	165781	Bracket Side Bagger CRD
23	165782	Tube Upper Bagger CRD
24	165783	Tube Pivot Bagger CRD
25	165784	Tube Front Bagger CRD
26	165785	Tube Lower Bagger CRD
27	165786	Grommet Extruded Cut1/8
28	165787	Grip Handle Black
29	165839	Plate Stop Bagger handle CRD
30	72140410	Bolt Carriage 1/4-20 x 1 Gr.5
31	4497H	Retainer Spring 1" Zinc/Cad
32	126875X	Rivet Rd Hd Drilled 3/8 Dia

**NOTE:** All component dimensions given in U.S. inches  
1 inch = 25.4 mm

# REPAIR PARTS

TRACTOR- -MODEL NO. 917.259460

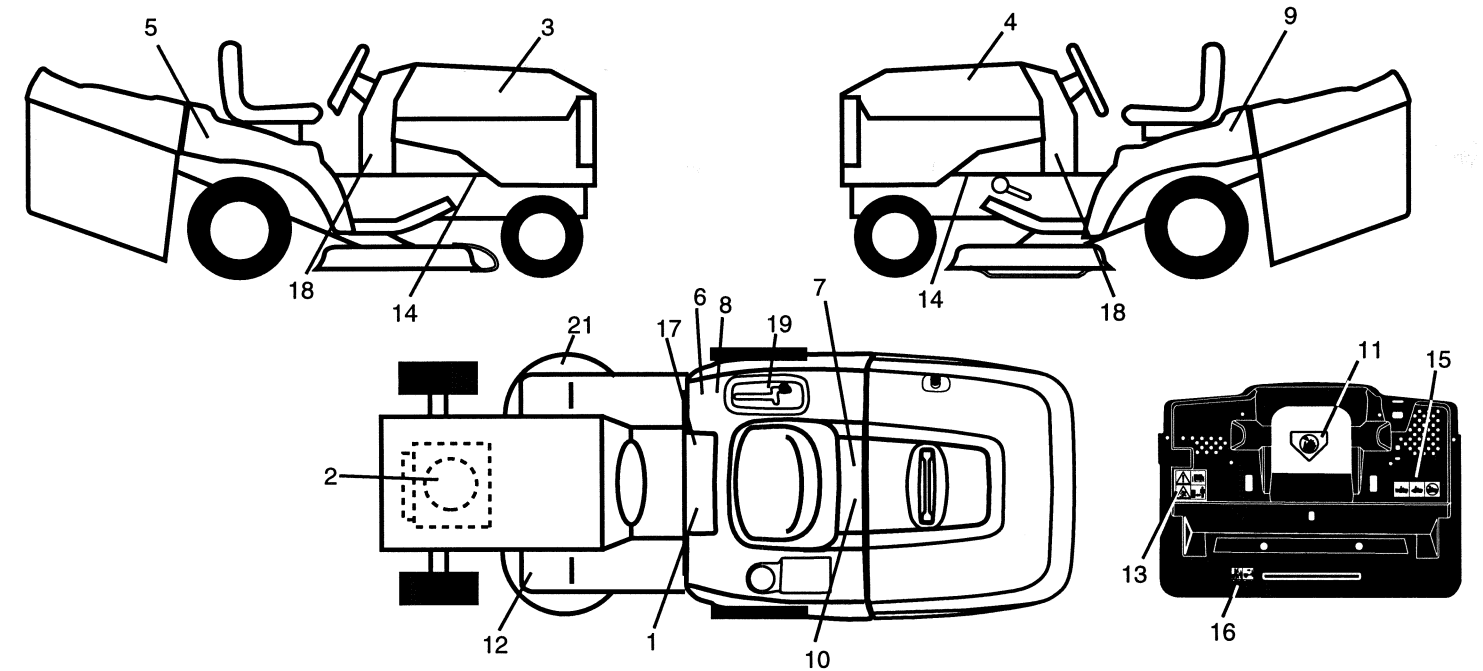
## BAGGER



# REPAIR PARTS

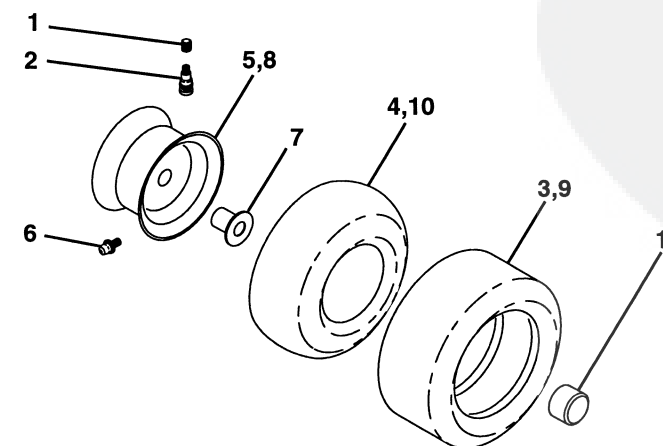
TRACTOR- -MODEL NO. 917.259460

## DECALS



KEY NO.	PART NO.	DESCRIPTION	KEY NO.	PART NO.	DESCRIPTION
1	145498	Decal Read Owner's Manual Sym	12	159737	Decal Brake/Clutch Symbol Lt
2	165404	Decal Hp Engine	13	166959	Decal Warn Back Plate CRD
3	163200	Decal Hood Rh	14	159736	Decal Chassis Hot Muffler
4	163202	Decal Hood Lh	15	166961	Decal Oper Bag Presence CRD
5	168322	Decal Fender Auto	16	162598	Decal Drawbar Load Limit
6	126187X	Decal 100 DBA	17	140837	Decal Saddle Brake Parking
7	166960	Decal Bypass Fender	18	163252	Decal, Dash Panel
8	145437	Decal Europe Stand Ce	19	166962	Decal Console CRD
9	163204	Decal Fender Lh	21	166286	Decal Deck Sch 92 CRD
10	145005	Decal Bat Dan/Poi P/L Sym Wpn	—	138311	Decal Lift Handle
11	145494	Decal Mower Cut Finger Symbol	—	168441	Manual Operator's (Euro)
			—	168442	Manual Operator's (Scand)
			—	168443	Manual Parts

## WHEELS & TIRES



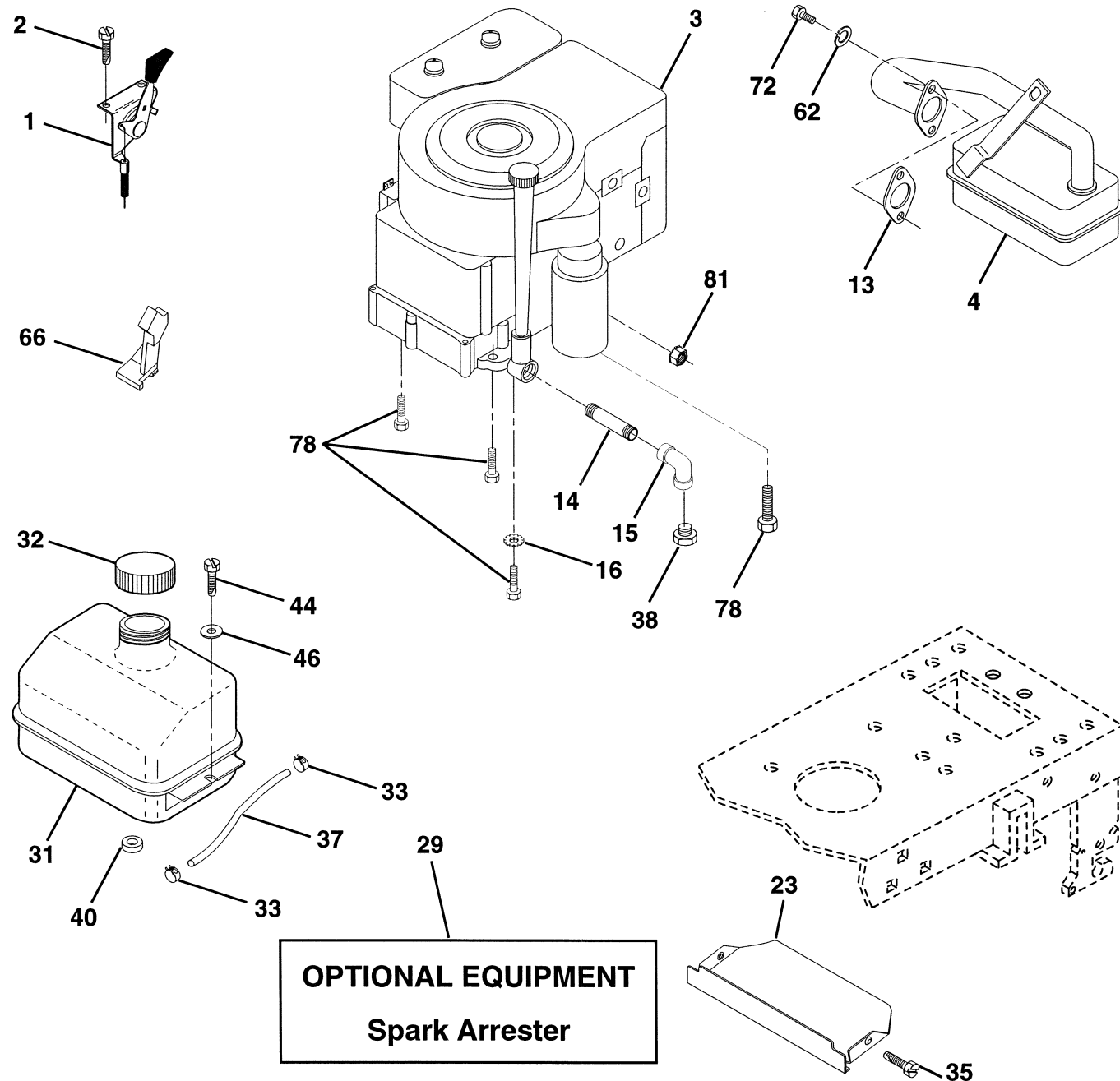
KEY NO.	PART NO.	DESCRIPTION
1	59192	Cap Value Tire
2	65139	Stem Value
3	106222X	Tire F Ts 15 X 6 0 - 6 Service
4	59904	Tube Inner Front #35060
5	106732X427	Rim Asm 6" front White Service
6	278H	Fitting Grease
7	9040H	Bearing Flange
8	106108X427	Rim Asm 8" rear White Service
9	124635X	Tire R Ts 18 x 8.5-8 Service
10	7152J	Tube Rear 9 5 X 8 Service
11	104757X	Cap Axle Blk 1 50 X 1 00
--	144334	Sealant, Tire (10 oz. tube)

**NOTE:** All component dimensions given in U.S. inches  
1 inch = 25.4 mm

# REPAIR PARTS

TRACTOR- -MODEL NO. 917.259460

## ENGINE



# REPAIR PARTS

TRACTOR- -MODEL NO. 917.259460

## MOWER

KEY NO.	PART NO.	DESCRIPTION	KEY NO.	PART NO.	DESCRIPTION
1	165552	Housing Asm. Mower 92 CRD	33	137266	Nut Flg Top Lock Cntr B 9/16
2	72140506	Bolt Rdhd Sqnk 5/16-18 Unc x 3/4	34	165239	Bracket Gauge Wheel Lf 92 CRD
3	165569	Bracket Asm. S-Bar Chass 92 CRD	35	165238	Bracket Gauge Wheel Rf 92 CRD
4	165558	Bracket Bar Sway Deck 92 CRD	36	146763	Pulley Idler V-Groove Dim 4.25
5	4939M	Retainer Spring	37	19131316	Washer 11/32 x 13/16 x 16 Ga
6	165557	Bar Sway 92 CRD	40	73680600	Nut Crownlock 3/8-16 Unc
8	850857	Bolt 3/8-24 x 1.25 Gr8 Patched	44	165724	Cover Mandrel Lh 92 CRD
9	10030600	Washer Lock Hvy 3/8 Unplated	45	165556	Cover Mandrel Rh 92 CRD
10	140296	Washer Hard Blade Mower vented	46	137729	Screw Thd Roll 1/4-20 x 5/8
11	165560	Blade 3-1 Lh 92 CRD	55	165445	Arm Idler 92 CRD
12	129895	Bearing Ball #6204 (Mandrel)	56	122052X	Spacer Retainer PM Mower
13	137645	Shaft Asm. W/Lower Bearing	61	165945	Spring Tension Belt
14	128774	Housing Mandrel Vented (Machd)	68	165555	Hex-Belt 92 Mower 105AA
15	110485X	Bearing Ball Mandrel	69	165482	Shaft Asm W/Lwr Brg Rh Thd CRD
16	165561	Blade 3-1 Rh 92 CRD	84	156085	Keeper Belt Idler
17	72140610	Bolt Carriage 3/8-16 x 1-1/4	116	137644	Bolt Shoulder
18	72110608	Bolt Rdhd Sqnk 3/8-16 x 1 Gr5	117	133957	Wheel Gage
19	132827	Bolt Shoulder 5/16-18 Thd Form	118	73930600	Nut Centerlock 3/8-16 Unc
20	165484	Bolt 3/8-24 x 1.25 Gr8 Ptch Lhthd	119	19121414	Washer 3/8 x 7/8 x 14 Ga.
21	73680500	Nut Crown Lock 5/16-18	124	72110612	Bolt Carr Sh 3/8-16 x 1-1/2 Gr5
22	165243	Bracket Idler Sprt RR 92 CRD	128	153390	Washer Felt
23	165446	Bracket Idler Sprt RF 92 CRD	130	72110506	Bolt Rdhdsqnk 5/16-18 Unc x 3/4
24	165242	Bracket Suspension LF 92 CRD	131	165661	Chute Bagger CRD 92cm
25	165244	Bracket Suspension RF 92 CRD	--	130794	Mandrel Asm Service
26	165237	Brace Support Susp Frt CRD	--	165579	Mandrel Asm CRD Lh Threads SVC
27	165568	Bracket Asm. Susp RR 92 CRD	--	165578	Deck Mower Complete
28	165567	Bracket Asm. Susp LR 92 CRD			
30	157722	Screw Thd Rolling Washer Head			
31	129963	Washer Spacer Mower Vented			
32	153531	Mandrel Pulleys 36 & 46			

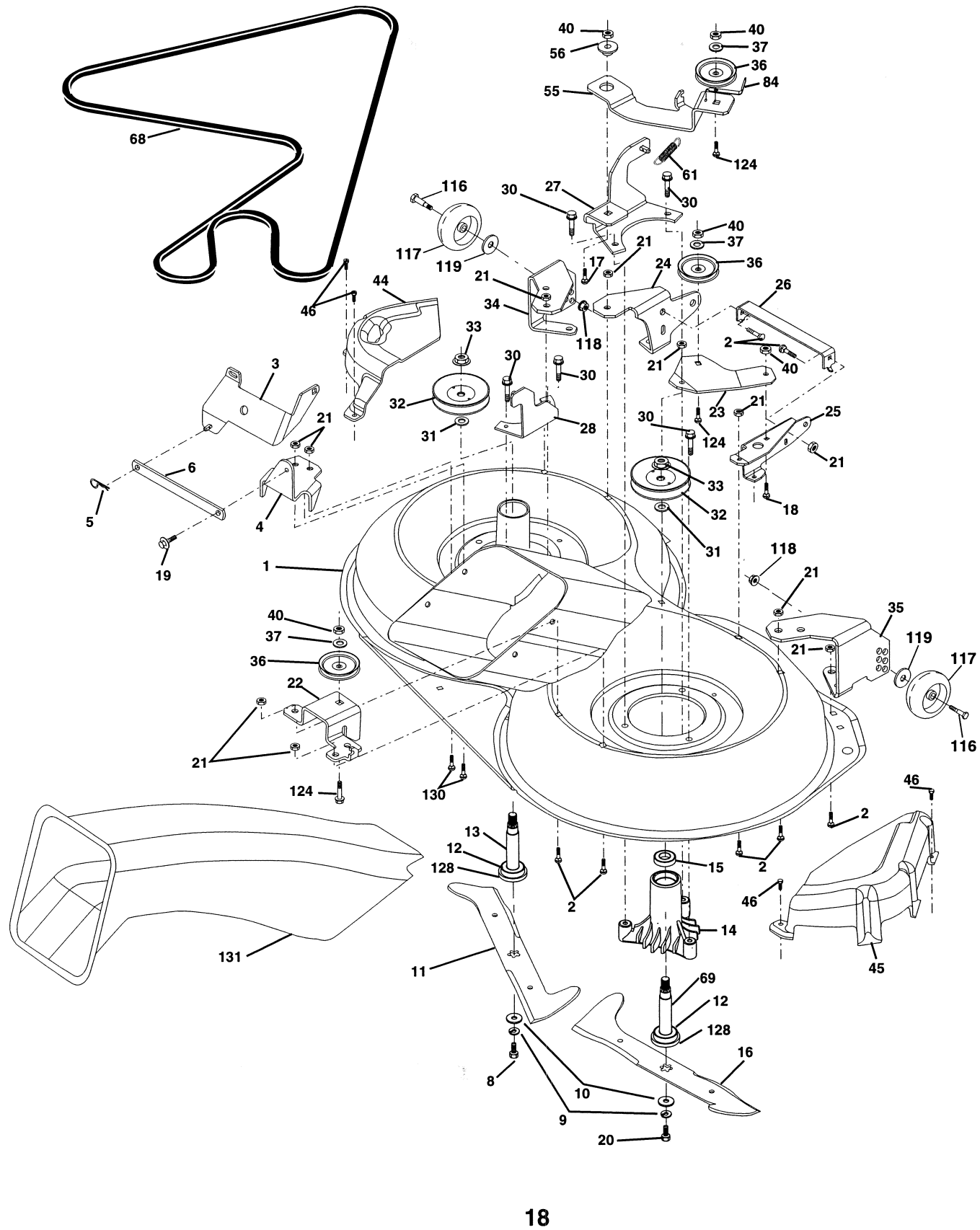
**NOTE:** All component dimensions given in U.S. inches  
1 inch = 25.4 mm



# REPAIR PARTS

TRACTOR- -MODEL NO. 917.259460

MOWER



18

# REPAIR PARTS

TRACTOR- -MODEL NO. 917.259460

ENGINE

KEY NO.	PART NO.	DESCRIPTION
1	162158	Control Throt /Ch Lh
2	17720410	Screw Hex Thd Cut 1/4-20x5/8 T
3	-----	Engine (See Breakdown)
		Briggs Model 28U707-1175-E1
4	137352	Muffler Exhaust B&S Lt
13	165291	Gasket 1 313 Id Tin Plated
14	13280324	Nipple Pipe 3/8 Npt X 3"
15	13200300	Elbow Std 90 Degree 3/8-18 Npt
16	11050600	Washer Lock Ext Tooth 3/8
23	159880	Shield Browning/Debris Guard
29	137180	Arrestor Spark
31	109202X	Tank Fuel 1.25 Fr
32	140527	Cap Asm Fule Top Vent N/Lany
33	123487X	Clamp Hose Blk
35	17490512	Screw, Thdrol 5/16-18 x 3/4 Tyt
37	137040	Line Fuel 20"
38	-----	Plug Oil Drain (Order From Engine Manufacturer)
44	17490412	Screw Hexwsh Thdrol 1/4-20x3/4
46	19091416	Washer 9/32 X 7/8 X 16ga
62	10040500	Washer Lock Hvy Hlcl Spr 5/16
66	127951	Stop Throttle 3000 Rpm
72	71070512	Screw Hexhd Cap 5/16-18x3/4
78	17490620	Screw Thdrol 3/8-16x1-1/4 Tytt
81	128861	Nut Flange 1/4-20 Starter Nut

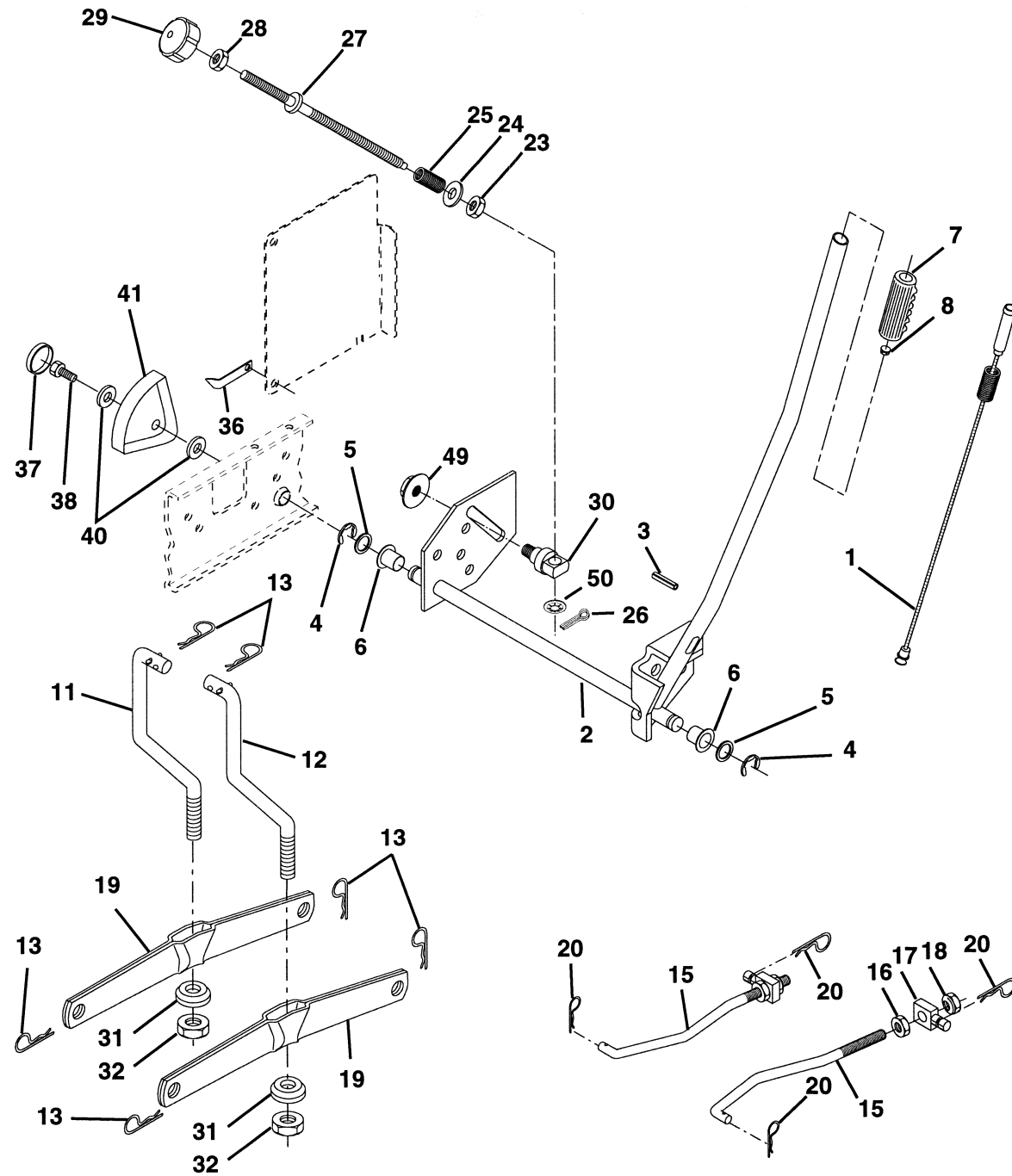
**NOTE:** All component dimensions given in U.S. inches  
1 inch = 25.4 mm

15

# REPAIR PARTS

TRACTOR- -MODEL NO. 917.259460

MOWER LIFT



# REPAIR PARTS

TRACTOR- -MODEL NO. 917.259460

MOWER LIFT

KEY NO.	PART NO.	DESCRIPTION
1	159460	Washer Asm Inner Spring W/ Plunger
2	159471	Shaft Asm. Lift
3	105767	Pin Groove
4	12000002	E Ring #5133-62
5	19211621	Washer 21/32 x 1 x 21 Ga.
6	120183X	Bearing Nylon
7	125631X	Grip Handle Fluted
8	122365X	Button Plunger Black
11	165829	Link Asm Lift L.H.
12	165831	Link Asm Lift R.H.
13	124670	Retainer Spring
15	127218	Link Front
16	73350800	Nut Jam Hex 1/2-13 Unc
17	130171	Trunnion Blk Zinc
18	73680800	Nut Crownlock 1/2-13 Unc
19	139868	Arm Suspension Mower
20	163552	Retainer Spring
23	110807X	Nut Special
24	19131016	Washer 13/32 x 5/8 x 16 Ga.
25	2876H	Spring 2-1/8"
26	76020308	Pin Cotter 3/32 x 1/2
27	126971X	Rod Adj Lift Zinc 7.49 Wrk Lg
28	73350600	Nut Hex Jam 3/8-16 Unc
29	138057	Knob Inf 3/8-16 Unc Blk w/sym
30	150233	Trunnion Infin Height
31	140302	Bearing, Pvt. Lift. Spherical
32	73540600	Nut Crownlock 3/8-24
36	155097	Pointer Height Indicator
37	123935X	Plug Hole Blk 1.485/1.515 Dia
38	17490512	Screw Thdrol 5/16-18 x 3/4
40	19112410	Washer 11/32 x 1-1/2 x 10 Ga.
41	123934X	Scale Ind Height Blk
49	145212	Nut hex Flange Lock
50	110452X	Nut Push Phos & Oil

**NOTE:** All component dimensions given in U.S. inches  
1 inch = 25.4 mm