

S.B.M.A.

# owners manual

ANCIEN MODELE

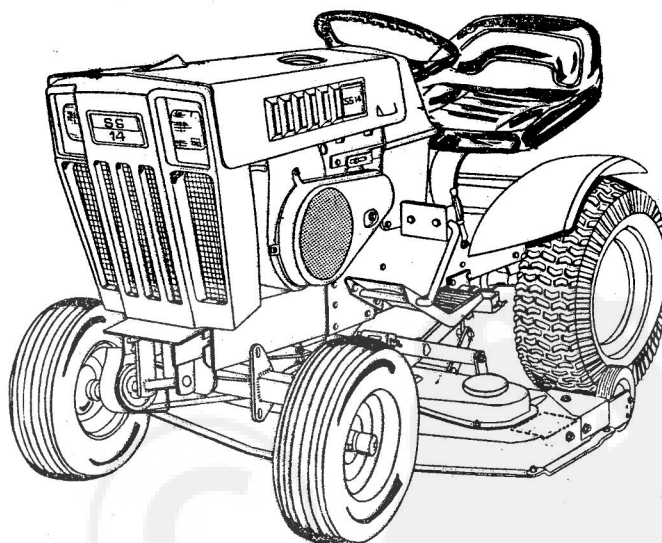
## 48 INCH ROTARY MOWER FOR SUBURBAN OR HYDRO-TRAC TRACTOR!

MODEL NO.  
917.253161  
22104

**CAUTION:**

Read Rules for  
Safe Operation  
and Instructions  
Carefully

- Assembly
- Operating
- Maintenance
- Repair Parts



PUBL. AP/3200-2/71

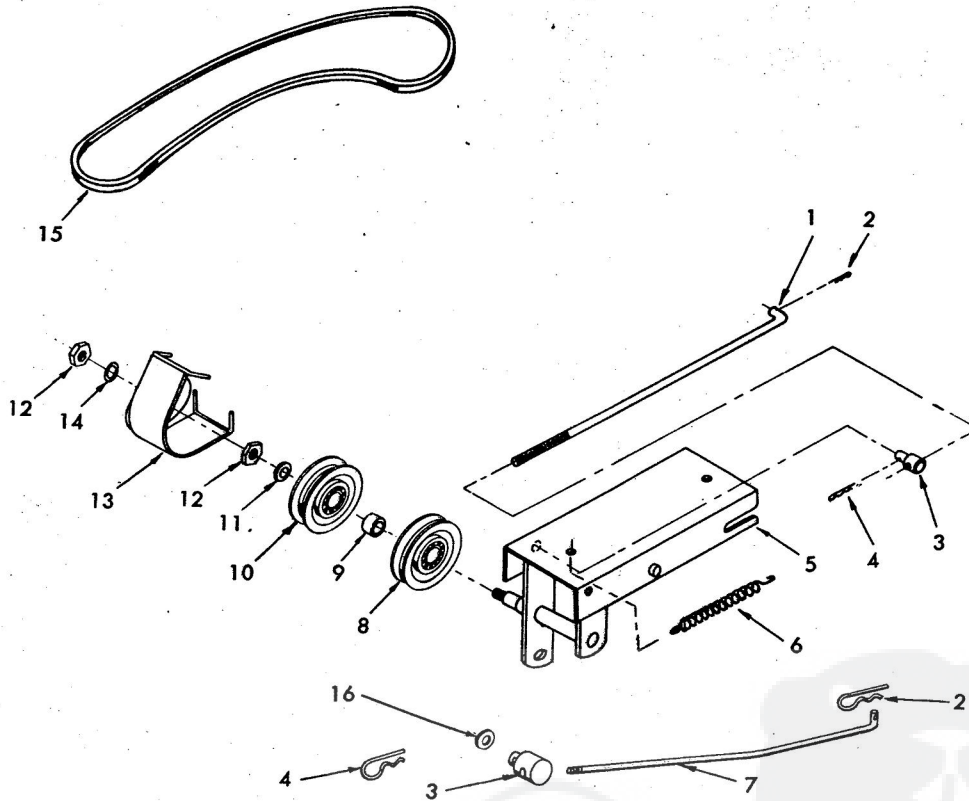
IMPORTATEUR GENERAL POUR LA BELGIQUE ET LE GRAND-  
DUCHE DE LUXEMBOURG

S. B. M. A.

DEPARTEMENT MOTOCULTURE :  
1190 BRUXELLES - TEL : 02/76.00.90

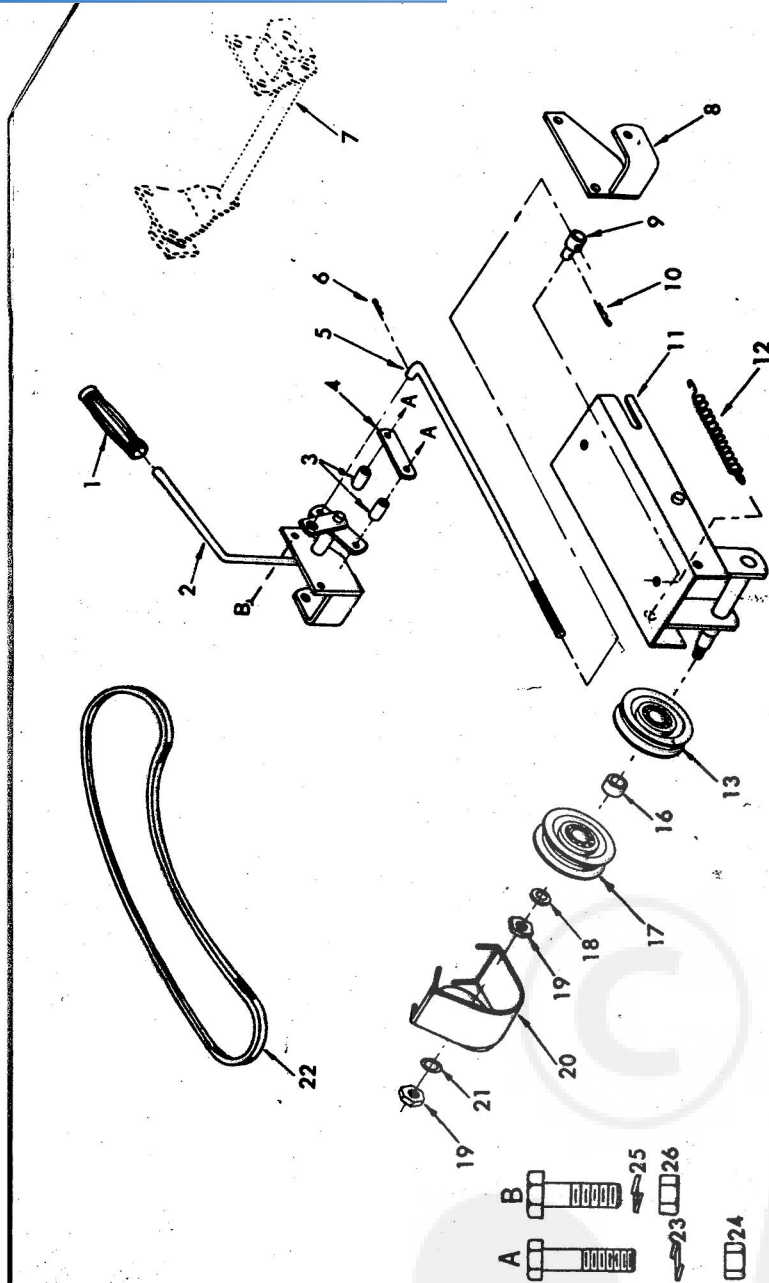
Rue de Hal .157

ROPER 48" ROTARY MOWER-MODEL NO. TT2231R



KEY NO.	PART NO.	DESCRIPTION	KEY NO.	PART NO.	DESCRIPTION
1	3705R	Belt Tightener Link	9	5386H	Bushing
2	4939M	Retainer Spring	10	4983 634A566	Outside Idler
3	3707R	Adjusting Pin	11	4677 1519P	Washer 15/32 x 1 x 12 Ga.
4	4940M	Retainer Spring	12	516P	Hex Nut 7/16-20
5	634A589	Idler Shaft Assy	13	634A587	Belt Guide Weldment-Front
6	9503H	Spring	14	1001P	Lockwasher 7/16
7	3766R	Snubber Pull Rod	15	4794 3555R	V-Belt (Mower Main Drive Belt)
8	634A565	Inside Idler	16	1569P	Washer 9/16 x 15/16 x 11 Ga.

MOWER --- MODEL NUMBER 917.253161

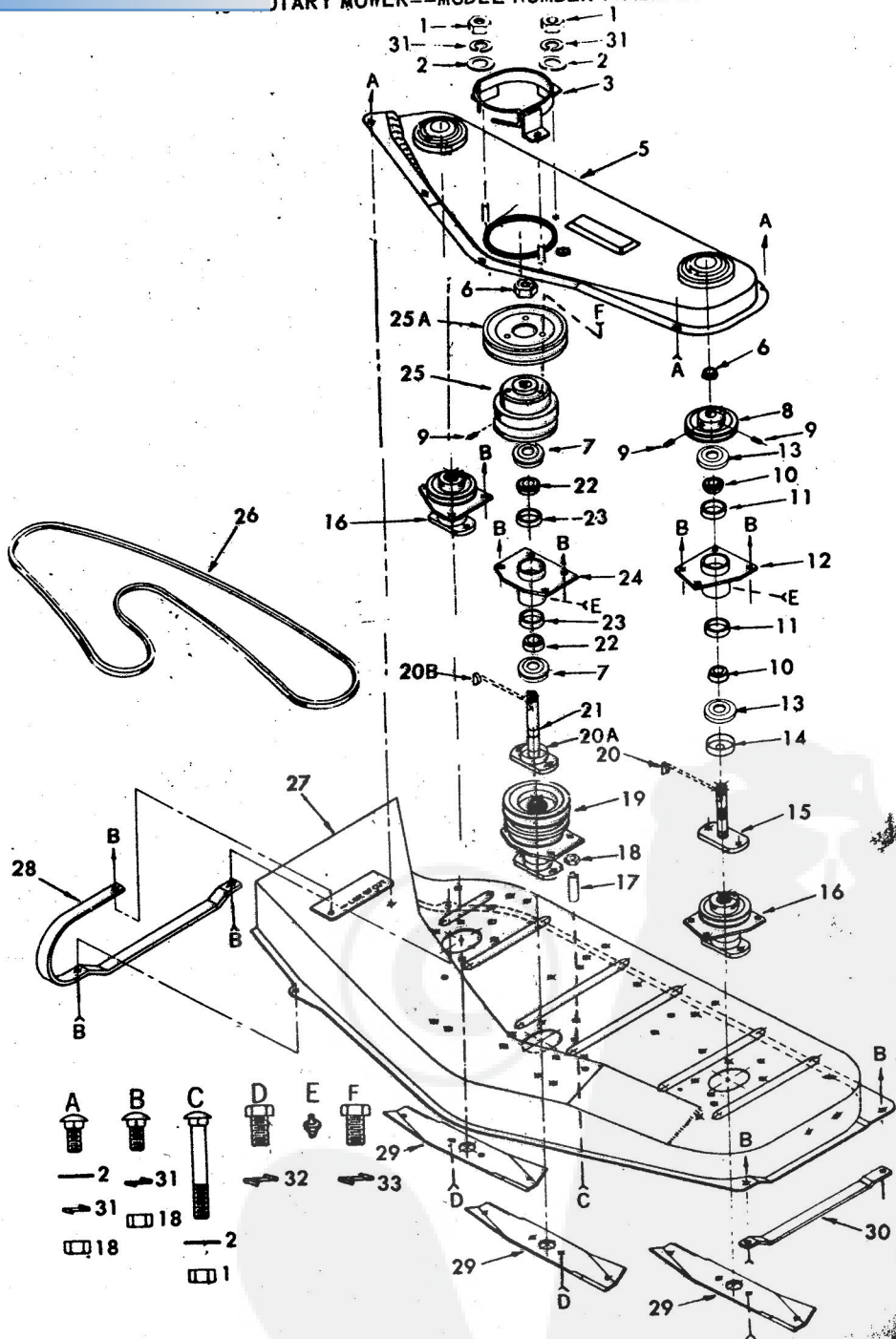


916R-7. 12.70

-11-

KEY NO.	PART NO.	DESCRIPTION	KEY NO.	PART NO.	DESCRIPTION	KEY NO.	PART NO.	DESCRIPTION
1	4379H	Handle Grip	8	634A355	Hanger Weldment L.H. Front	19	516P	Hex Nut 7/16 - 20
2	634A357	Lever & Hanger Weldment	9	6501H	Adjusting Pin	20	606A356A	Belt Guide Weldment - Front
3	1689E	Bushing	10	4940M	Retainer Spring	21	1001P	Lockwasher 7/16
4	6508H	Lever Stop Strap	11	634A371	Idler Shaft Assembly	22	6517H	Y Belt (Mower Main Drive Belt)
5	6499H	Belt Tightener Link	12	4301H	Spring	23	1002P	Lockwasher 5/16
6	4939M	Retainer Spring	13	606A355A	Inside Idler & Bearing	24	504P	Hex Nut 5/16 - 18
7	634A362	Hanger Rear (For 1966 & later Suburban Tractors)	16	5386H	Bushing	25	1004P	Lockwasher 3/8
		Furnished with Tractor	17	606A354A	Outside Idler & Bearing	26	5011P	Hex Nut 3/8 - 16
		Furnished with Tractor	18	1519P	Washer 15/32x1x12 Ga.	A	5013P	Hex Bolt 5/16 - 18 x 1/4
		Furnished with Tractor				B	3025P	Hex Bolt 3/8 - 16 x 1/4
	22 104	TONDÉLLE COMPLETE						

ROTARY MOWER--MODEL NUMBER 917.253161

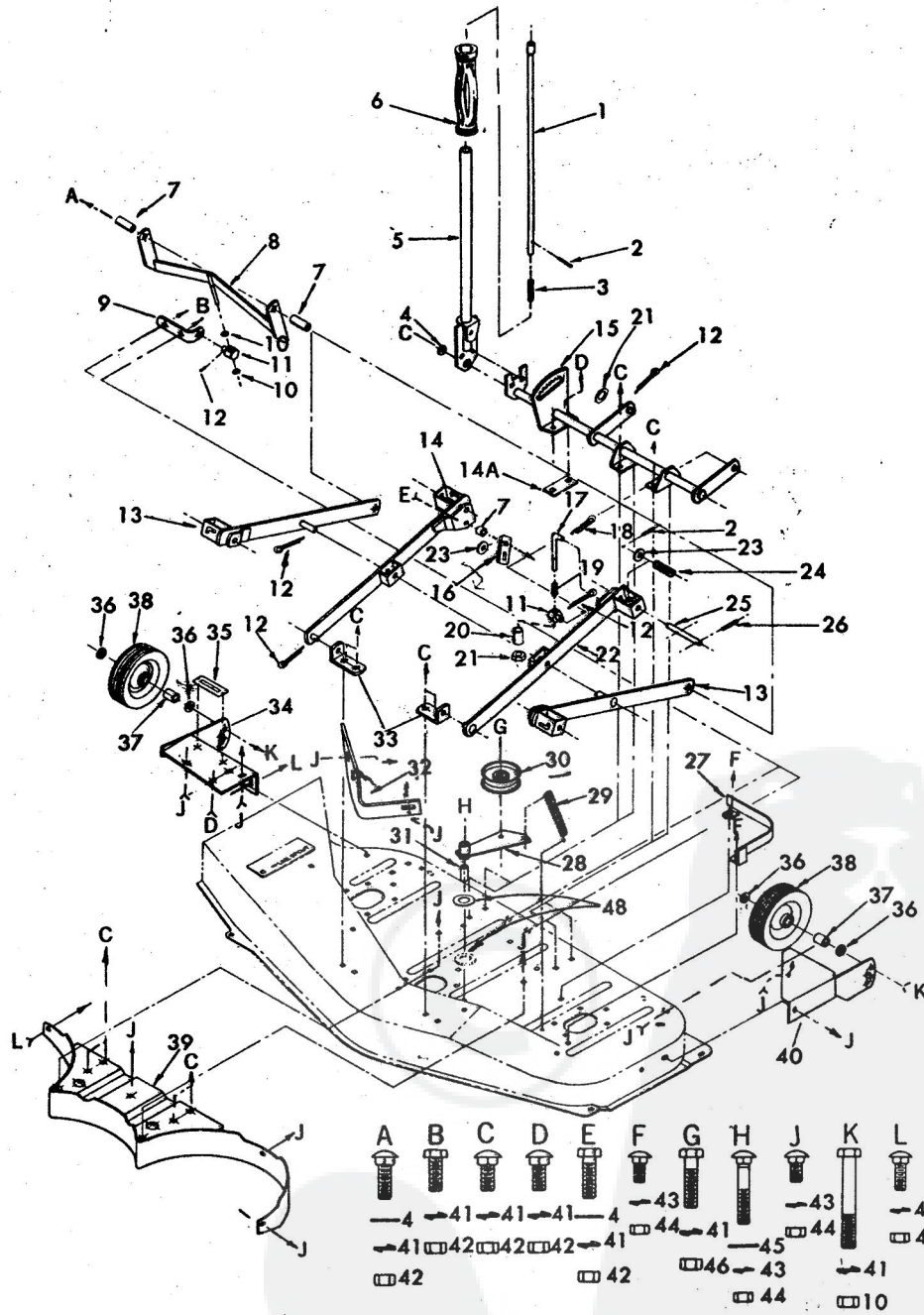


48" ROTARY MOWER -- MODEL NUMBER 917.253161

KEY NO.	PART NO.	DESCRIPTION	KEY NO.	PART NO.	DESCRIPTION
1	504P	Hex Nut 5/16 - 18	20B	880R	Woodruff Key 1/4 x 1.7
2	1537P	Washer 11/32 x 11/16 x 16 Ga.	21	634A426	Shaft and Flange-Center
3	634A449	Belt Guide Weldment - Center	22	9494H	Bearing Cone
5	634A433	Deck Drive Cover & Weld Bolts	23	888R	Bearing Cup
6	4831H	Elastic Stop Nut 3/4 - 16	24	634A427	Mandrel Tub & Cups Center
7	882R	Metalic Seal	25	634A419	Mandrel Sheave-Center w/ Set Screw
8	634A417	Mandrel Sheave-Outer w/Set Screws	25A	9489H	Mandrel Sheave Upper center 48"
9	4515P	Hex Socket Headless Set Screw 3/8-16 x 5/8	26*	9496H	V Belt (Center to Outer Mandrels)
10	1554H	Bearing Cone	27	9462H	Mower Housing
11	1553H	Bearing Cup	28	9445H	Runner R.H.
12	634A431	Mandrel Tube & Cups Outer	29	9485F	Blade 48" (25322)
13	881R	Metallic Seal	30	9424H	Runner L.H.
14	9458H	Mandrel Cap	31	2003P	Lockwasher 5/16
15	634A315	Shaft & Flange-Outer	32	1003P	Lockwasher 7/16
16	634A423	Mandrel Assembly w/Sheave-Outer	33	1004P	Lockwasher 3/8
17	9456H	Spacer	A	16P	Carriage Bolt 5/16 - 18 x 3/4
18	504P	Hex Nut 5/16 - 18	B	17P	Carriage Bolt 5/16 - 18 x 1
19	634A424	Mandrel Assembly w/Sheave-Center	C	7P	Carriage Bolt 5/16 - 18 x 2 1/2
20	8330H	Woodruff Key 1/4 x 1	D	3204P	Hex Bolt 7/16 - 14 x 3/4 H.T. Grade 5
20A	1036R	Mandrel Cap Center	E	6855M	Grease Fitting
			F	3023P	Hex Bolt 3/8 - 16 x 1

\* Ferodo - V.363 (castorite 10004661)

ROTARY MOWER --- MODEL NUMBER 917-253161



48" ROTARY MOWER---MODEL NUMBER 917.253161

KEY NO.	PART NO.	DESCRIPTION	KEY NO.	PART NO.	DESCRIPTION
1	634A339	Lever Plunger & Button	32	9475H	Discharge Cutoff Plate
2	9465M	Roll Pin 3/16 x 1 1/2	33	9450H	Suspension Bracket-Front
3	2876H	Spring	34	634A377	Gage Wheel Support Assembly R.H.
4	1556P	Washer 13/32 x 7/8 x 14 Ga.	35	-----	Model Plate
5	634A373	Lift Lever	36	1556P	Washer 13/32 x 7/8 x 14 Ga.
6	2895H	Handle Grip	37	7375H	Bushing
7	280M1	Bushing	38	9536H	Gage Wheel
8	634A358	Pitch Adjustment Weldment	39	634A330	Blade Shield Assembly
9	9426H	Pitch Adjustment Bracket	40	634A375	Gage Wheel Support Assembly L.H.
10	515P	Hex Nut 3/8 - 24	41	1004P	Lockwasher 3/8
11	9420H	Leveling Pin	42	501P	Hex Nut 3/8 - 16
12	2511P	Cotter Pin 3/16 x 1	43	1003P	Lockwasher 5/16
13	634A348	Suspension Arm Weldment Outer	44	504P	Hex Nut 5/16 - 18
14	634A347	Suspension Arm Weldment Inner R.H.	45	1511P	Washer 3/8 x 7/8 x 14 Ga.
14A	9483H	Lever Quadrant Spacer	46	508P	Hex Jam Nut 3/8 - 16
15	634A374	Lift Shaft Weldment	47	1685H	Gripco Nut 5/16 - 18
16	929R	Lift Link	48	1519P	Washer 15/32 x 1 x 12 Ga.
17	9412H	Hanger Link	A	21P	Sq. Neck Carriage Bolt 3/8 - 16 x 1 1/4
18	2505P	Cotter Pin 1/8 x 3/4	B	3023P	Hex Bolt 3/8 - 16 x 1
19	9535H	Spring	C	20P	Sq. Neck Carriage Bolt 3/8 - 16 x 1
20	9833E	Bushing	D	28P	Sq. Neck Carriage Bolt H.T. Grade 5 3/8 - 16 x 1
21	9505H	Elastic Stop Nut 3/8 - 24	E	3025P	Hex Bolt 3/8 - 16 x 1 1/4
22	634A346	Suspension Arm Weldment-Inner L.H.	F	16P	Sq. Neck Carriage Bolt Short Shoulder 5/16 - 18 x 3/4
23	1500P	Washer 17/32 x 1-1/16 x 13 Ga.	G	3027P	Hex Bolt 3/8 - 16 x 1 1/2
24	9502H	Spring	H	47P	Carriage Bolt Short Shoulder 5/16 - 18 x 1 1/4
25	9416H	Plunger	J	16P	Carriage Bolt 5/16 - 18 x 3/4
26	9504H	Roll Pin 3/16 x 2	K	3199P	Hex Bolt 3/8 - 24 x 2 3/4 Grade 5
27	634A334	Belt Guide Assembly	L	16P	Carriage Bolt 5/16 - 18 x 3/4
28	634A450	Deck Idler Arm Assembly		916R	Instruction & Parts Book
29	9503H	Spring			
30	9492H	Flat Idler			
31	1039R	Bushing			

634 x 113

