



REPAIR PARTS MANUAL
MODEL NO. 990360
Lawn Tractor

CRAFTSMAN[®]

588107727 Rev. 2

HOW TO USE THIS MANUAL

This manual is designed to provide the customer with a means to identify the parts on his/her tractor when ordering repair parts. The illustrations may or may not represent the actual assemblies; therefore, it is not recommended to use this manual as a guide to assemble or disassemble the tractor. Some hardware and parts are drawn larger in order to more readily identify them.

Each tractor has its own model number.

The model number for your tractor can be found on the fender under the seat.

When ordering parts, always give the following information:

- Product - "Tractor"
- Model Number - "990360"
- Part Number
- Part Description

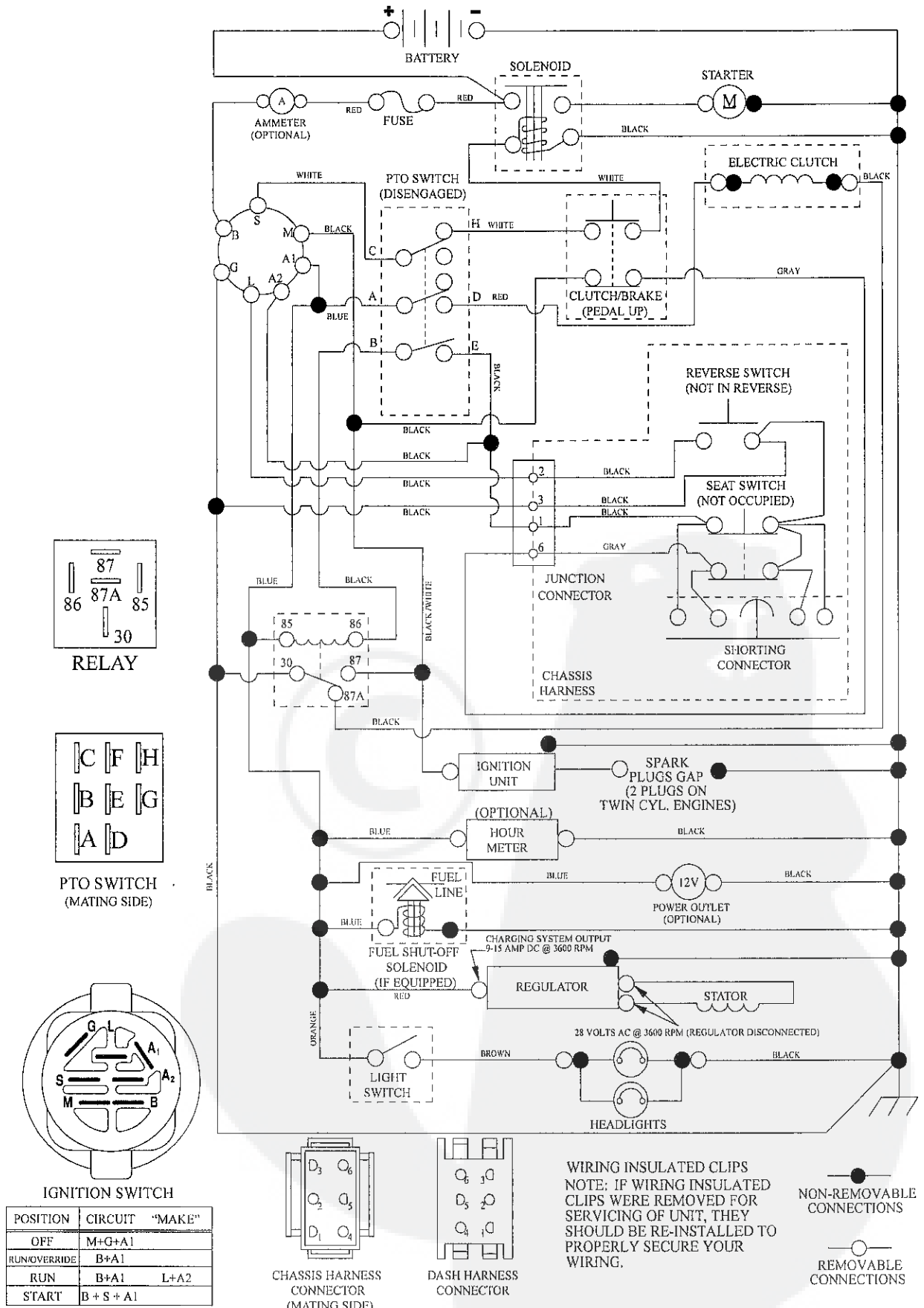
TABLE OF CONTENTS

SCHEMATIC	3
ELECTRICAL	4-5
CHASSIS	6-7
DRIVE	8-9
ENGINE	10-11
STEERING	12-13
MOWER DECK	14-15
MOWER LIFT	16-17
SEAT	18
DECALS	19
TRANSAXLE BREAKDOWN	20-21
ENGINE BREAKDOWN	22-26
WARRANTY	BACK COVER

TRACTOR - - MODEL NO. 917.990360

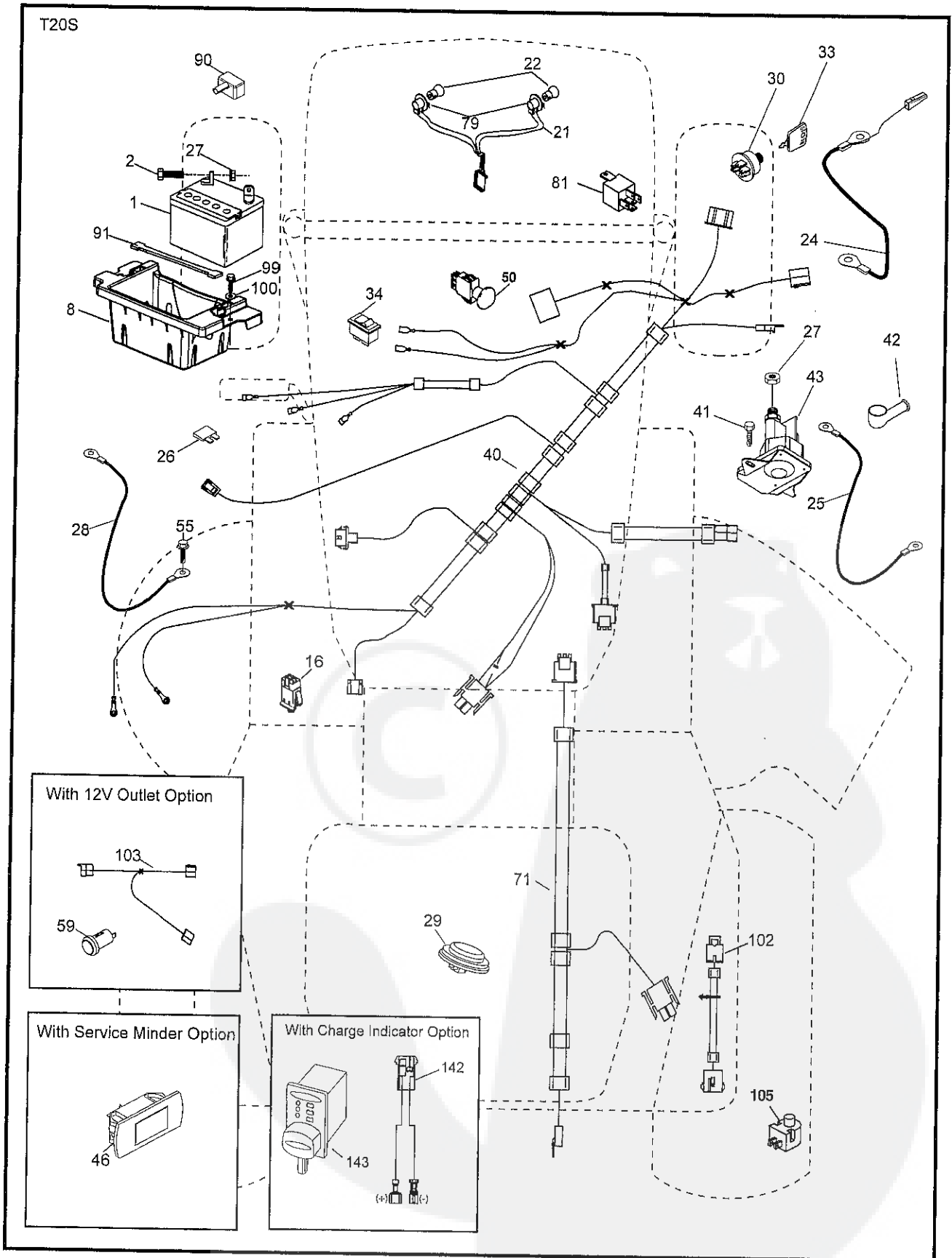
SCHEMATIC

SCH13



TRACTOR -- MODEL NO. 917.990360

ELECTRICAL



TRACTOR - - MODEL NO. 917.990360

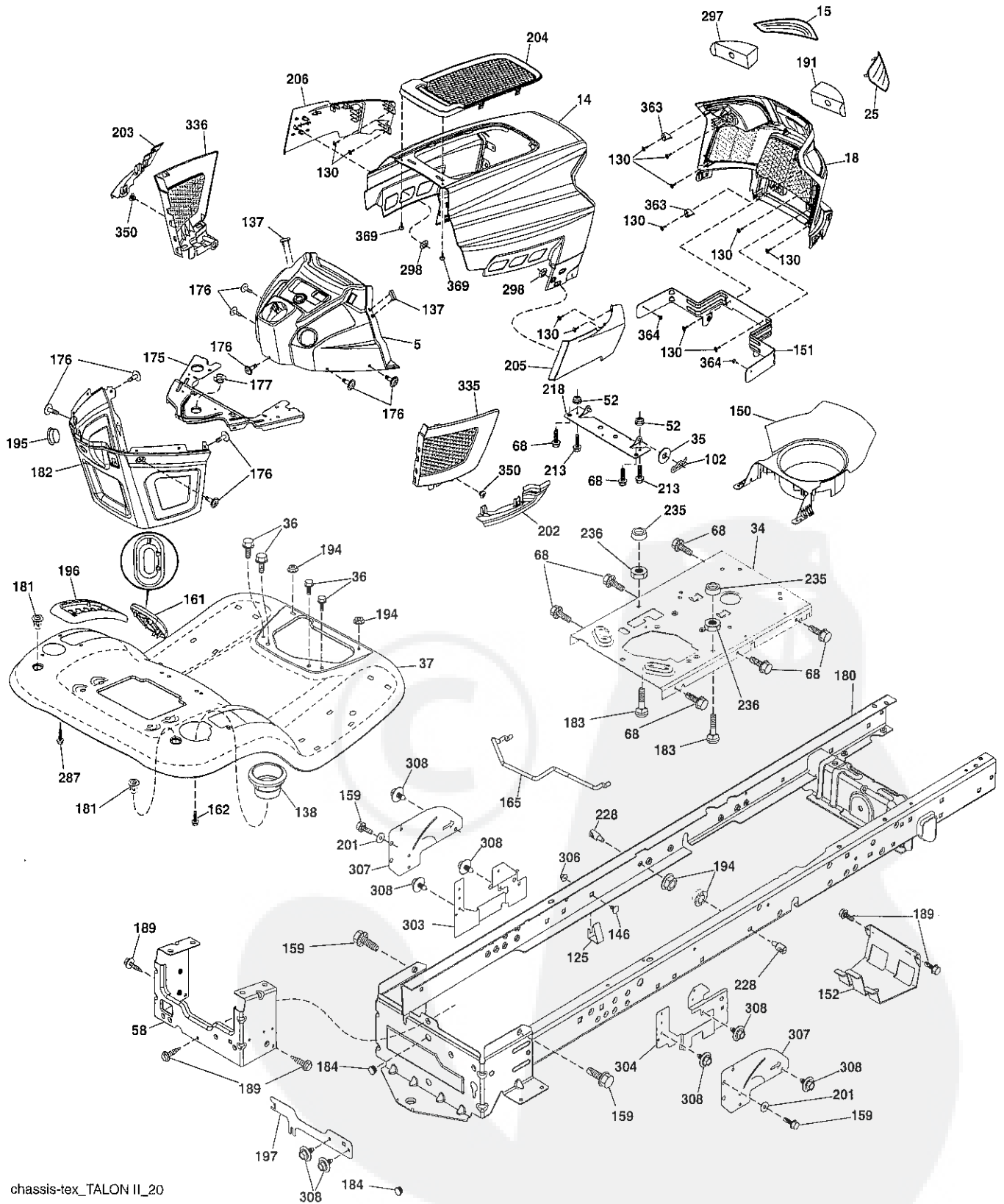
ELECTRICAL

KEY NO.	PART NO.	DESCRIPTION
1	163465	Battery
2	74760412	Bolt Hex Hd 1/4-20 unc x 3/4
8	186491	Box Battery
16	176138	Switch Interlock Push-In
21	400252	Harness Socket Light w/4152J
22	4152J	Bulb Light
24	585555601	Cable Btry.
25	585555501	Cable Starter
26	175158	Fuse
27	73510400	Nut Keps Hex 1/4-20 unc
28	416588	Cable, Ground
29	401545	Switch, Seat
30	193350	Switch, Ign
33	411934	Key/Chain
34	110712X	Switch Light / Reset
40	581022801	Harness Ign. Dash
41	17720408	Screw Thd Cut 1/4-20 x 1/2
42	131563	Cover, Terminal
43	192507	Solenoid
46	586161801	Gauge SRVCMNDR HRMTR
50	174652	Switch PTO
55	17060512	Screw Thdrol 5/16-18 x 3/4 TYTT
71	194276	Harness Ign. Chassis
79	175242	Bulbholder Asm. Incan Descent
81	409615	Relay Harness Sealed
90	435395	Cover Terminal Battery
91	190270	Strap Btry.
99	17670412	Screw Hexwsh Thdrol 1/4-20 x 3/4
100	19091416	Washer 9/32 x 7/8 16 Ga.
102	404454	Harness Pigtail
105	407568	Switch Reverse

NOTE: All component dimensions given in U.S. inches.
1 inch = 25.4 mm.

TRACTOR - - MODEL NO. 917.990360

CHASSIS AND ENCLOSURES



chassis-tex_TALON II_20

TRACTOR - - MODEL NO. 917.990360

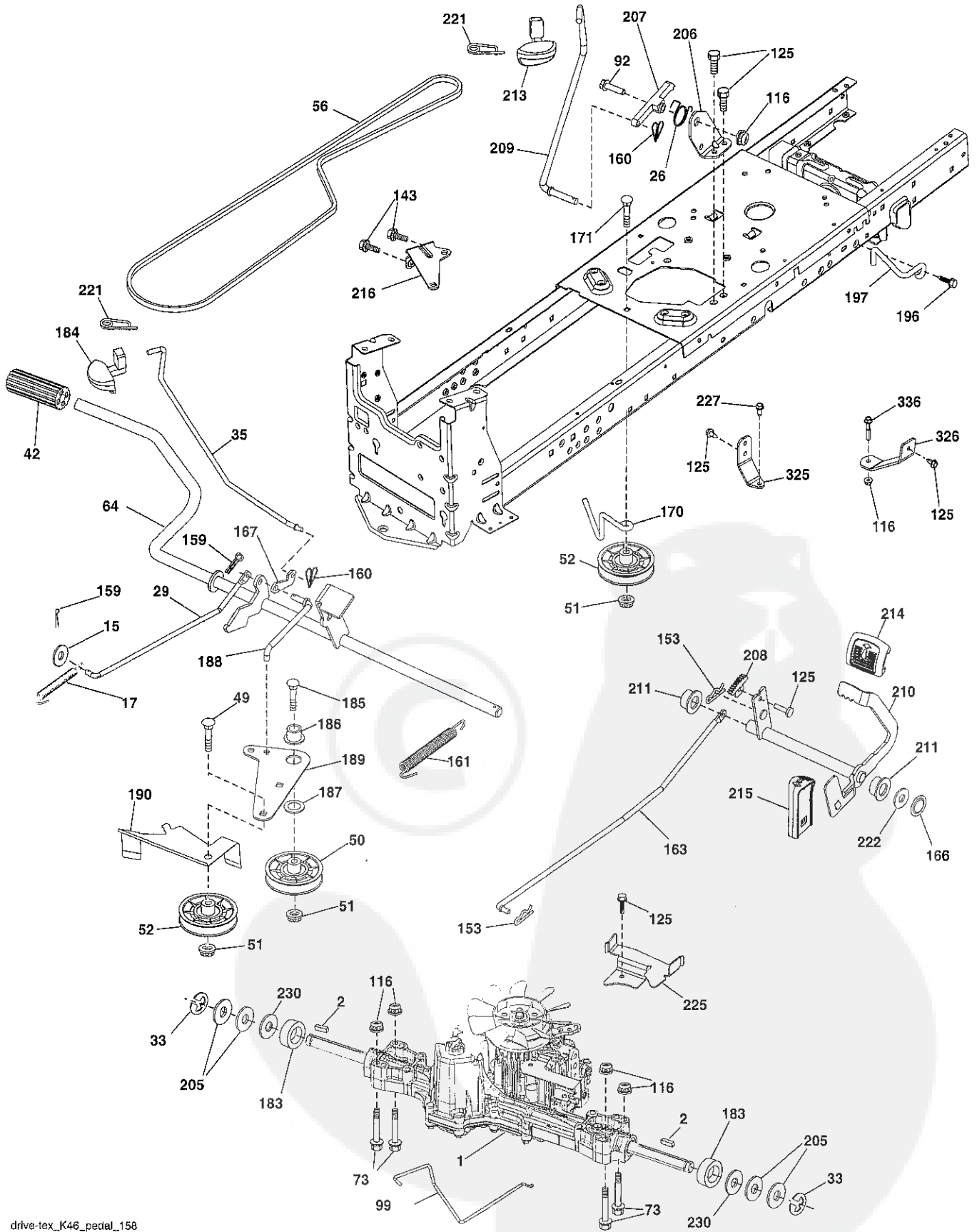
CHASSIS AND ENCLOSURES

KEY PART NO.	KEY PART NO.	DESCRIPTION	KEY PART NO.	KEY PART NO.	DESCRIPTION
5	580485806	Dash	191	580485101	Mylar Headlight/Reflective Lens RH
14	580354406	Hood	194	73900500	Nut Lock Hex Flange 5/16-18
15	580485601	Lens LH	195	401556X428	Plug Hole Dash 12V Adapter
18	580485302	Grille	196	414579	Console Asm. Deck Lift
25	580484501	Lens RH	197	587493202	Shield Drawbar
34	580910801	Plate engine	201	19132016	Washer 13/32 x 1-1/4 x 16 Ga
35	19111116	Washer 11/32 x 11/16 x 16 Ga.	202	580485001	C-Closeout Lwr Trm RH
36	17060512	Screw 5/16-18 x 3/4	203	580484801	C-Closeout Lwr Trm LH
37	414878X615	Fender	204	580484701	Hood Top Vent
52	73680500	Nut Crown lock 5/16-18	205	580843706	Assembly Corner RH
58	412280	Drawbar Upper	206	580843806	Assembly Corner LH
68	17490508	Screw Thdrol 5/16-18 x 1/2	213	74760512	Bolt hex HD 5/16-18 unc x 3/4
102	4497H	Retainer Spring 1"	218	580897301	Pivot Hood Assy
125	581684801	Clip Fuel Line	228	195161	Stud Fastener
130	416358	Screw # 10 x .750 BOS Thread	235	406129	Spacer Fender
137	407590	Bumper Dash	236	73930500	Nut Center Lock 5/16-18
138	193224X428	Cupholder	287	17600406	Screw Hexwsh Hd 1/4-20 x 3/8
146	581857901	Bolt	297	580484901	Mylar Headlight/Reflective Lens LH
150	585238002	Duct Heat Hood	298	580851001	Nut Push
151	580663302	Bracket Pivot	303	587493401	Shield Lower LH
152	199535	Shield Browning/Debris	304	587865102	Shield Lower RH
159	17000612	Screw Hexwsh Thdrl 3/8-16 x 3/4	306	73900600	Nut Lock
161	193229X428	Window Fuel	307	587494601	Shield Upper
162	142432	Screw Hex Wsh Hi-Lo 1/4 x 1/2	308	171877	Bolt 5/16-18 unc x 3/4
165	196826	Support Tank Rear	335	580484602	C-Side Closeout RH
175	196304	Crossmember	336	580484402	C-Side Closeout LH
176	400776	Screw 10-24 x 5/8 Wshd Qdrx	350	445143	Clip X-Mass Tree
177	195228	Bushing Steering	363	580724501	Cap Talon Grille
180	415064	Chassis	364	17060408	Screw
181	193102X428	Bushing Mtg. Fender Crgo.	369	421756	Screw #10 x 0.500 BOS Thread
182	406859	Dash Lower			
183	74520520	Bolt 5/16-18 x 1-1/4			
184	587554101	Plug Demo			
189	17000512	Screw 5/16-18 x 3/4			

NOTE: All component dimensions given in U.S. inches.
1 inch = 25.4 mm.

TRACTOR - - MODEL NO. 917.990360

DRIVE



drive-tex_K46_pedal_158

TRACTOR - - MODEL NO. 917.990360

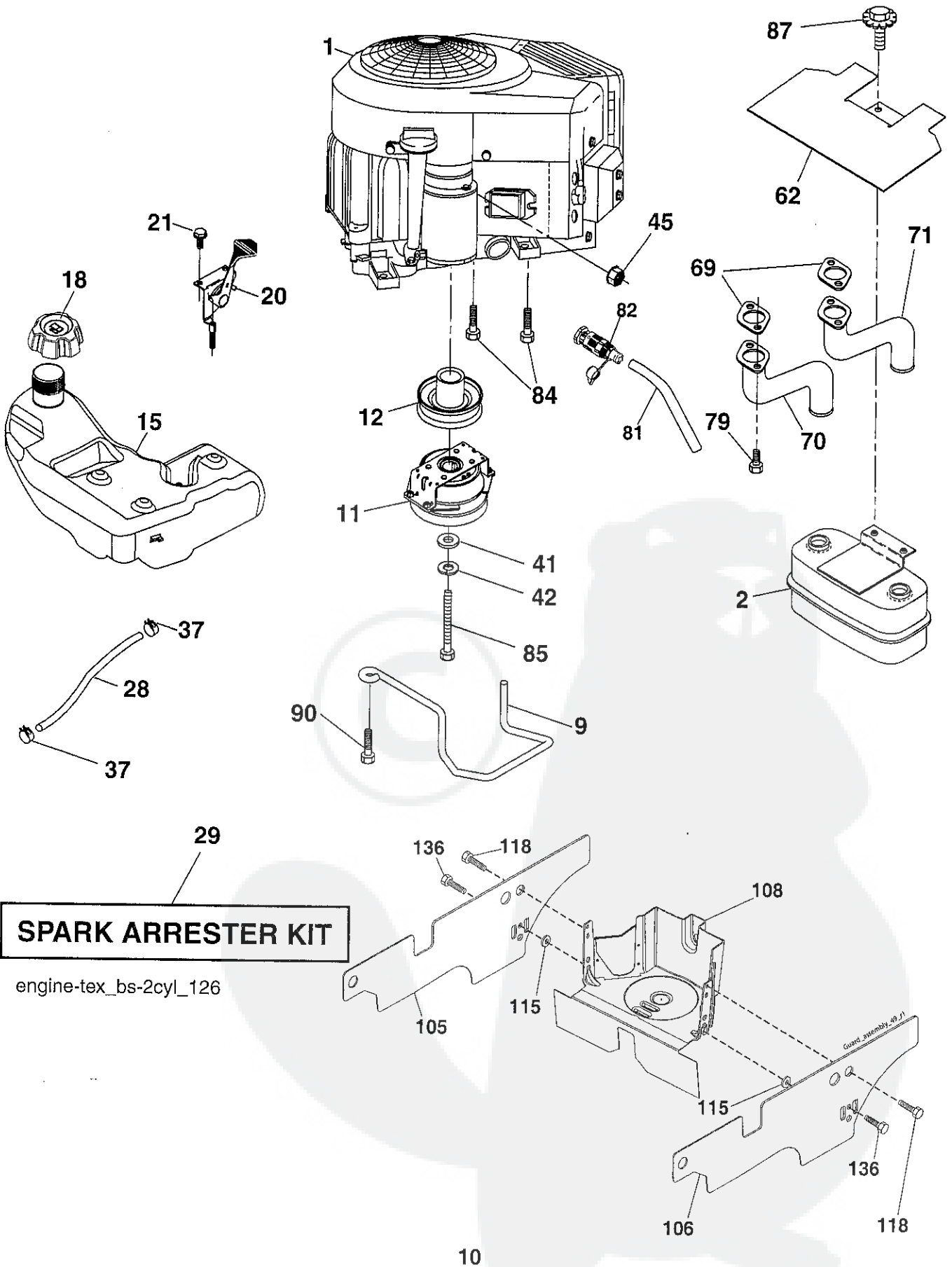
DRIVE

KEY NO.	PART NO.	DESCRIPTION	KEY NO.	PART NO.	DESCRIPTION
1	---	Transaxle, TUFFTORQ K46 BT (426120) (See transaxle breakdown.)	184	196439X428	Handle Parking Brake
2	123583X	Key	185	72110622	Bolt 3/8-16 x 2-3/4 Gr. 5
15	19131316	Washer 13/32 x 13/16 x 16 Ga.	186	194321	Spacer Retainer
17	413678	Spring, Brake	187	19133210	Washer
26	199679	Spring Return Cruise	188	194323	Link Clutch Ground Drive
29	403806	Rod, Brake	189	194317	Bellcrank Ground Drive
33	12000001	Ring E	190	194318	Keeper Bellcrank Ground Drive
35	583864501	Rod, Brake, Park	196	17000616	Screw 3/8-16 x 1
42	8883R	Cover, Foot Pedal	197	585658601	Link Clutch Anti-Rotation 1" CRK
49	72110614	Bolt	205	121748X	Washer
50	194327	Pulley Idler Flat	206	448596	Bracket Mount Latch Cruise
51	73900600	Lock Nut 3/8-16	207	587031401	Latch Control Cruise
52	194326	Idler V-Groove	208	197869	Gear Sector Control Cruise
56	130969	V-Belt, Drive	209	199592	Rod Control Cruise
64	197865	Shaft Asm. Pedal Brake Control	210	400980	Rocker Asm. Pedal Control
73	74490540	Bolt 5/16-18 x 2.1/2 G 5	211	120183X	Bearing Nylon
92	74760520	Bolt Fin Hex 5/16-18 unc x 1.25	213	196441X428	Knob Control Cruise
99	415742	Rod Spring Bypass	214	421263	Pedal Forward
116	73900500	Nut Lock Hex Flange 5/16-18	215	197301X428	Pedal Reverse
125	17000512	Screw 5/16-18 x 3/4	216	196131	Bracket Pulley Idler
143	17490508	Screw 5/16-18 x 1/2	221	403187	Retainer Spring Clip Handle
153	4497H	Retainer Spring	222	79212010	Washer 21/32 x 1-1/4 x 10 Ga.
159	76020412	Pin Cotter 1/8 x 3/4	225	403319	Keeper Belt Trans.
160	169484	Retainer Clip	227	17490512	Screw Thdrol 5/16-18 x 3/4
161	105709X	Spring, Return, Clutch	230	188967	Washer
163	448275	Rod Pedal Control	325	585668501	Bracket Torque Strap LH
166	429164	Nut Push .625	326	585670801	Bracket Torque Strap RH
167	405257	Latch Brake Parking	336	587259601	Screw Thdrol 5/16-18 x 3/4
170	194322	Keeper Belt Centerspan			
171	72110616	Bolt Rd. Hd. Sq. NK. 3/8-16 unc x 2			
183	137057	Spacer Split			

NOTE: All component dimensions given in U.S. inches
1 inch = 25.4 mm

TRACTOR - - MODEL NO. 917.990360

ENGINE



SPARK ARRESTER KIT

engine-tex_bs-2cyl_126

Guard assembly 99.71

TRACTOR - - MODEL NO. 917.990360

ENGINE

KEY NO.	PART NO.	DESCRIPTION
1	- - - -	Engine B&S Model No. 40N877-0008-B1 (588640601) (See Engine Breakdown.)
2	149723	Muffler
9	584908001	Keeper Belt Engine
11	587241601	Clutch Electric
12	405097	Pulley Engine
15	438080	Tank Fuel
18	585124802	Cap Asm
20	421473X428	Control Throttle
21	416358	Screw 10 x .750 BOS Thread
28	8543R	Fuel Line
29	137180	Spark Arrester Kit
37	123487X	Clamp Hose
41	126197X	Washer 1-1/2 ODX 15/32 IDX .250
42	10040700	Washer Lock 7/16
45	73510400	Nut Keps Hex 1/4-20 unc
62	434017	Shield Heat Muffler
69	165391	Gasket
70	581881101	Exhaust Tube LH
71	581881001	Exhaust Tube RH
79	183906	Screw 5/16-18 x .75
81	148456	Tube Drain Oil Easy
82	428287	Valve Oil Drain
84	17060620	Screw 3/8-16 x 1-1/4
85	179953	Bolt Hex 7/16-20 x 3.75 x Gr. 5
87	171877	Bolt 5/16-18 unc x 3/4 w/Sems
90	17000616	Screw 3/8-16 x 1.0
105	415606	Shield Side LH
106	415611	Shield Side RH
108	426803	Cover Asm Pulley Engine
115	423062	Palnut 1/4
118	17670508	Screw Thdrol 5/16-18 x 1/2
136	137729	Screw Thdrol 1/4-20 x 5/8

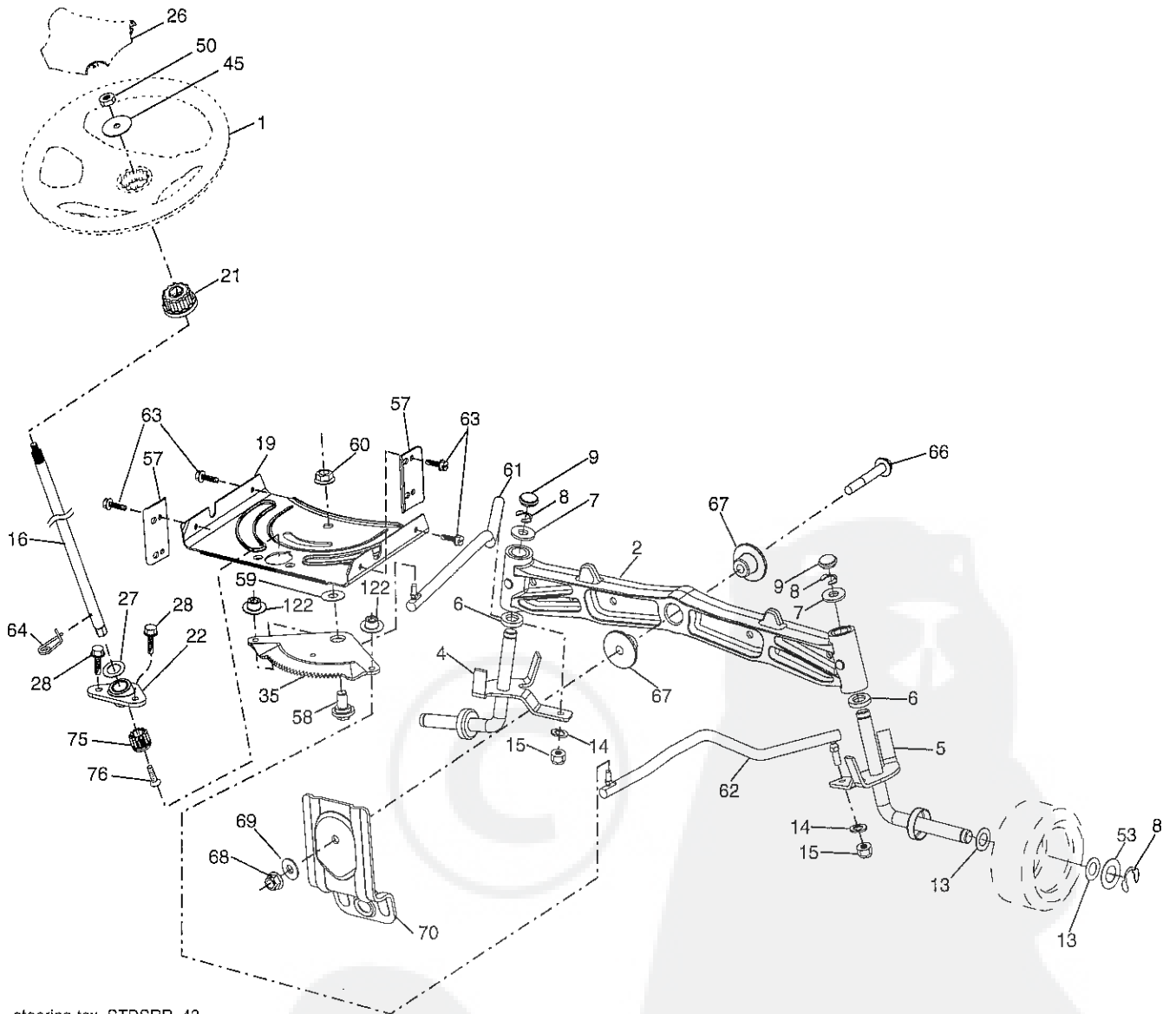
NOTE: All component dimensions given in U.S. inches
1 inch = 25.4 mm

Engine Power Rating Information

The gross power rating for individual gas engine models is labeled in accordance with SAE (Society of Automotive Engineers) code J1940 (Small Engine Power & Torque Rating Procedure), and rating performance has been obtained and corrected in accordance with SAE J1995 (Revision 2002-05). Torque values are derived at 3060 RPM; horsepower values are derived at 3600 RPM. Actual gross engine power will be lower and is affected by, among other things, ambient operating conditions and engine-to-engine variability. Given both the wide array of products on which engines are placed and the variety of environmental issues applicable to operating the equipment, the gas engine will not develop the rated gross power when used in a given piece of power equipment (actual "on-site" or net power). This difference is due to a variety of factors including, but not limited to, accessories (air cleaner, exhaust, charging, cooling, carburetor, fuel pump, etc.), application limitations, ambient operating conditions (temperature, humidity, altitude), and engine-to-engine variability. Due to manufacturing and capacity limitations, Briggs & Stratton may substitute an engine of higher rated power for this Series engine.

TRACTOR - - MODEL NO. 917.990360

STEERING ASSEMBLY



steering-tex_STDSRR_43

TRACTOR - - MODEL NO. 917.990360

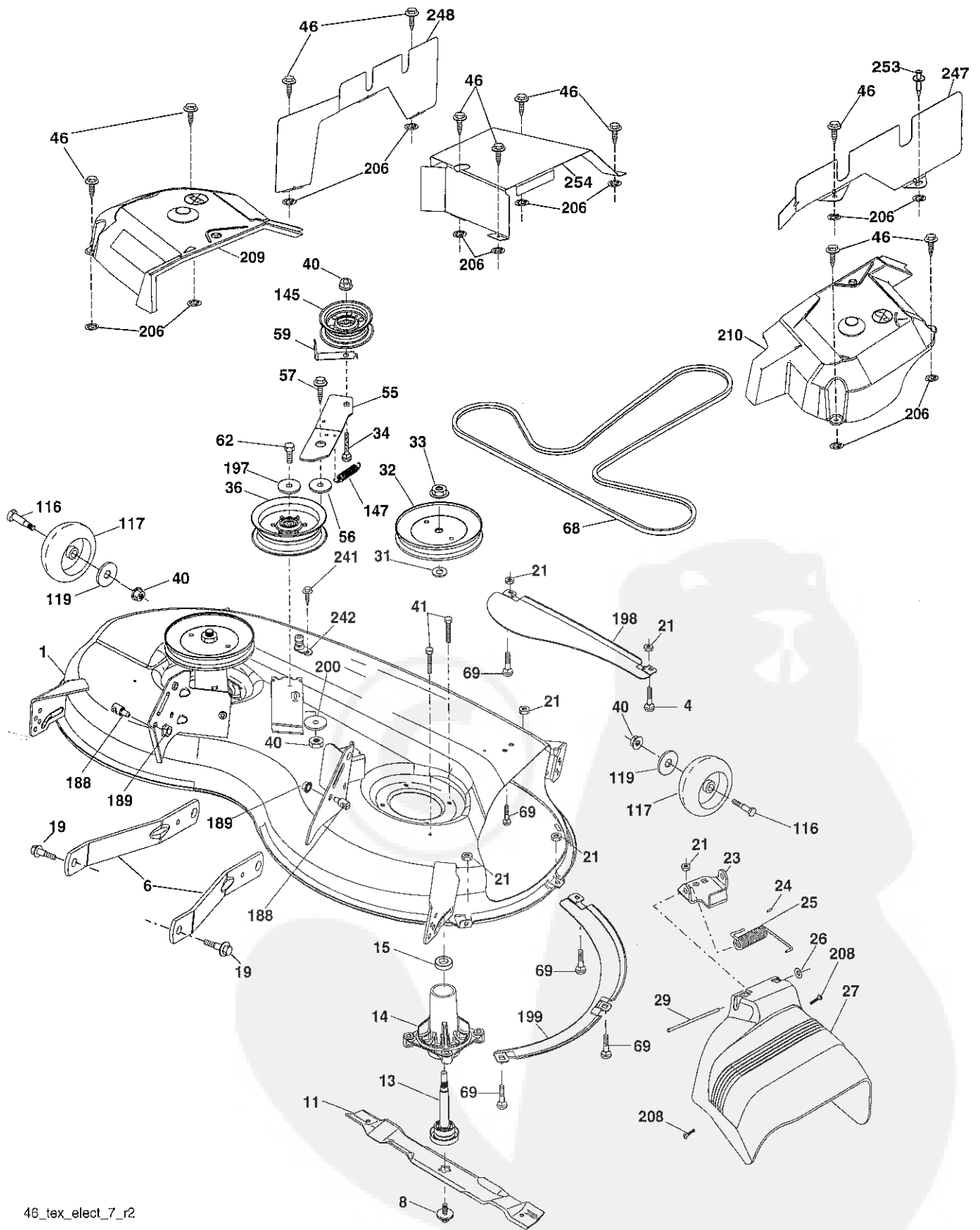
STEERING ASSEMBLY

KEY NO.	PART NO.	DESCRIPTION
1	414851X428	Wheel, Steering
2	195968	Axle Asm., Front
4	403087	Spindle Asm., LH
5	403088	Spindle Asm., RH
6	6266H	Washer Thrust 0.75 x 1.23
7	121748X	Washer 25/32 x 1-5/8 x 16 Ga.
8	12000029	Ring, Clip #T5304-75
9	184946X667	Cap, Spindle
13	121749X	Washer 25/32 x 1-1/4 x 16 Ga.
14	10040600	Washer Lock 3/8
15	73540600	Nut, Crown Lock 3/8-24 unf
16	587016002	Shaft Steering
19	194729	Plate Steering
21	586840201	Adapter, Wheel Steering
22	585029802	Steering Support Lower
26	414852X428	Insert, Wheel Steering
27	19211616	Washer 21/32 x 1 x 16 Ga.
28	17000612	Screw 3/8-16 x 3/4
35	194732	Gear, Sector Plate
45	587016401	Washer 3/8 I.D. x 2-3/8 O.D. x 12 Ga.
50	73900600	Nut Lock Flg 3/8-16 unc
53	188967	Washer Hardened .793 x 1.637 x .060
57	407465	Bracket Upstop
58	194747	Bolt Shoulder Sector Pivot CFM
59	194748	Washer Thrust Sector Steering
60	73971000	Nut Flange Lock 5/8-11
61	194740	Draglink, LH
62	194741	Draglink, RH
63	17000512	Screw 5/16-18 x 3/4
64	199849	Retainer Clip Spring Steering
66	71020748	Bolt Hex Fghd 7/16-14 x 3 Serr
67	194737	Bushing PM Front Axle
68	73900700	Nut Lock Flange 7/16-14 Gr. 5
69	199162	Washer 1.5 x .505 x .118
70	585338801	Bracket Deck Susp. Front
75	580683701	Pinion
76	580683601	Screw Head Socket
122	444962	Cap Gear Sector

NOTE: All component dimensions given in U.S. inches.
1 inch = 25.4 mm.

TRACTOR - - MODEL NO. 917.990360

MOWER



46_tex_elect_7_r2

TRACTOR - - MODEL NO. 917.990360

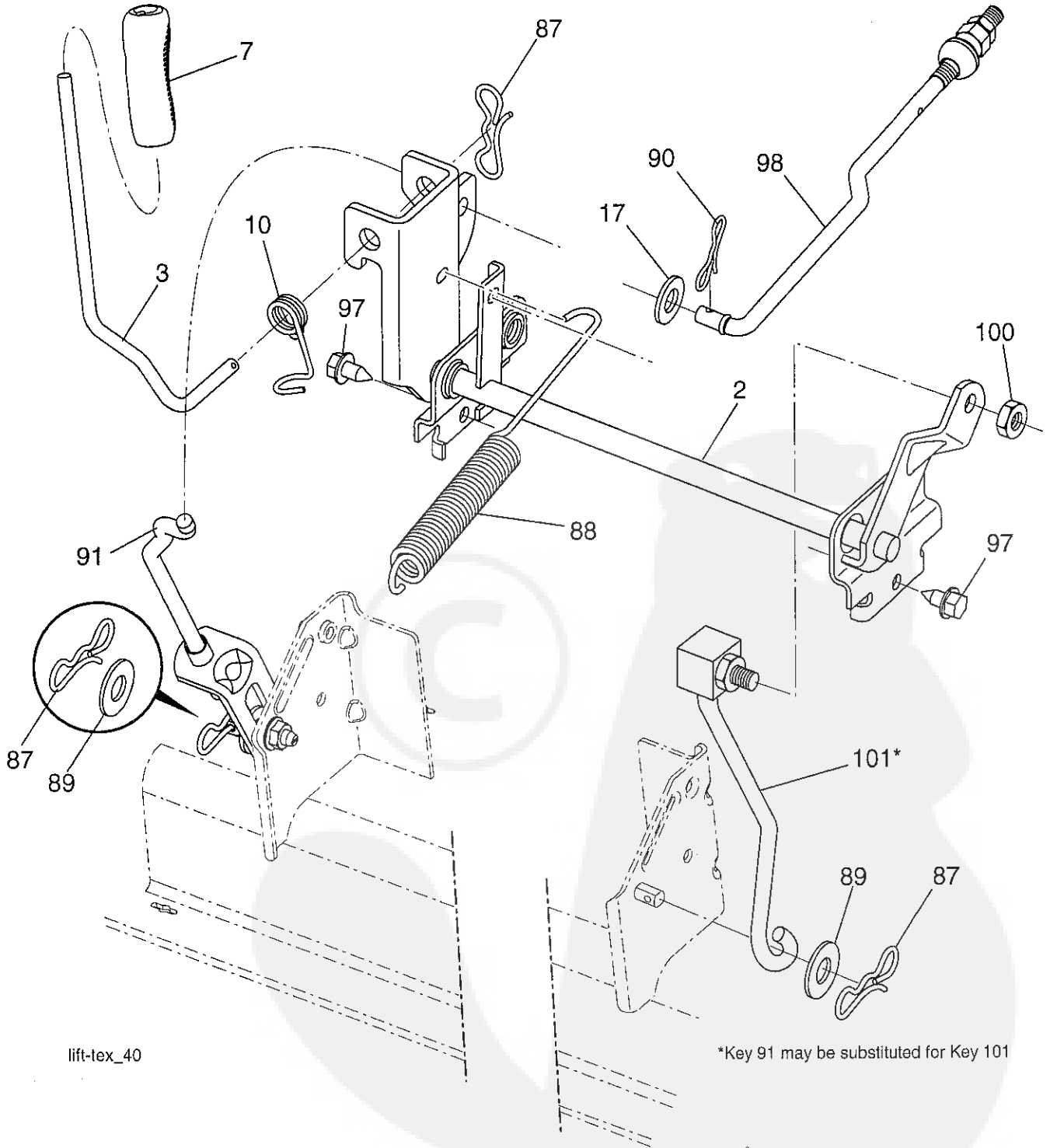
MOWER

KEY NO.	PART NO.	DESCRIPTION	KEY NO.	PART NO.	DESCRIPTION
1	448126X615	Mower Housing	116	4898H	Bolt, Shoulder
4	74760512	Bolt Hex HD 5/16-18	117	188606	Wheel, Gauge
6	195186	Arm Suspension	119	19121414	Washer 3/8 x 7/8 x 14 Ga.
8	193003	Bolt/Washer Asm 7/16-20 unf	145	197379	Pulley Idler
11	403107	Blade	147	197251	Spring Mower Drive Electric
13	192872	Shaft Assembly, Mandrel	188	195161	Stud Fastener
14	187281	Housing, Mandrel	189	73900500	Nut Lock Hex Flange
15	110485	Bearing, Ball, Mandrel	197	19131312	Washer 13/32 x 13/16 x 12 Ga.
19	196539	Bolt, Shoulder	198	403149	Baffle Center Front
21	73680500	Nut, Crownlock 5/16-18 unc	199	403150	Baffle Front RH
23	192557	Bracket, Deflector	200	413524	Washer 13/32 x 1 x 1/2 x 11 Ga.
24	105304	Cap, Sleeve	206	423062	Palnut 1/4
25	197026	Spring, Torsion, Deflector	208	17670608	Screw 3/8-16 x 1/2
26	110452	Nut, Push	209	432395	Cover Mandrel LH
27	442895	Shield, Deflector	210	432396	Cover Mandrel RH
29	131491	Rod, Hinge	241	152927	Screw #10-32.5 3/8 Flange
31	187690	Washer, Spacer	242	415598	Port Washout
32	197473	Pulley, Mandrel	247	430263	Shield Deck RH
33	400234	Nut, Toplock, Flanged	248	430262	Shield Deck LH
34	72110612	Bolt Carr Sh. 3/8-16 x 1-1/2 Gr. 5	253	427350	Rivet Tuflok .25 x .24
36	193197	Pulley, Idler, Primary	254	430264	Shield Deck Rear
40	73900600	Nut, Lock Flg. 3/8-16 unc	--	192870	Mandrel Assembly (Includes Housing (key #14), Shaft Assembly(key #13), Bearing (key #15) and nut (key # 33)Only - Pulley/Nut/Washer And BladeBolt/Washers Not Included.)
41	584953901	Bolt Hex Wsh Hd 3/8-16 x 1.19			
46	137729	Screw Thdrol 1/4-20 x 5/8			
55	197249	Arm, Idler			
56	199092	Spacer, Retainer			
57	17000616	Screw 3/8-16 x 1	--	588122501	Replacement Mower, Complete
59	141043	Guard, Tuv Idler			
62	74520636	Bolt Fin Hex 3/8-16 x 2-1/4 Gr. 5			
68	405143	Belt, Drive			
69	72140505	Bolt			

NOTE: All component dimensions given in U.S. inches
1 inch = 25.4 mm

TRACTOR - - MODEL NO. 917.990360

MOWER LIFT



lift-tex_40

*Key 91 may be substituted for Key 101

TRACTOR - - MODEL NO. 917.990360

MOWER LIFT

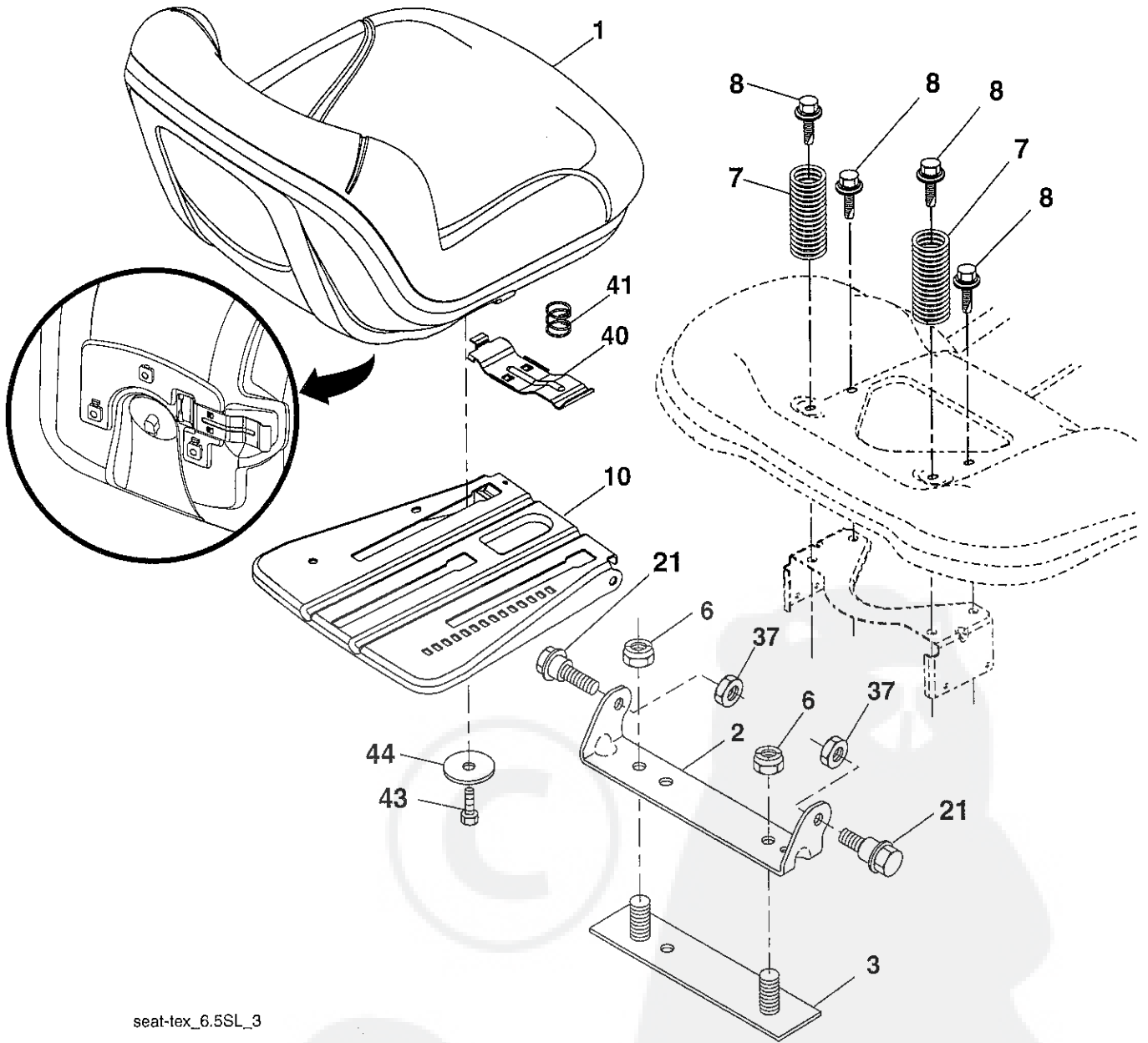
KEY NO.	PART NO.	DESCRIPTION
2	422027	Shaft Asm., Lift
3	195231	Lever Asm., Lift RH
7	445060X428	Grip, Lever
10	196314	Spring Torsion
17	19131312	Washer 13/32 x 13/16 x 12 Ga.
87	194209	Pin Cotter 7/16 Bow Tie Lock
88	410710	Spring Lift Assist
89	19191912	Washer Clear Zinc
90	194208	Pin Cotter 5/16 Bow Tie Lock
91	195181	Link Lift Susp Mower Rear
97	17000612	Screw 3/8-16 x .75
98	195270	Link Lift Susp. Front Mower
100	73930600	Nut Centerlock 3/8-16 unc
101	407003	Link ASm Lift Fxd

NOTE: All component dimensions given in U.S. inches
1 inch = 25.4 mm



TRACTOR - - MODEL NO. 917.990360

SEAT ASSEMBLY



seat-lex_6.5SL_3

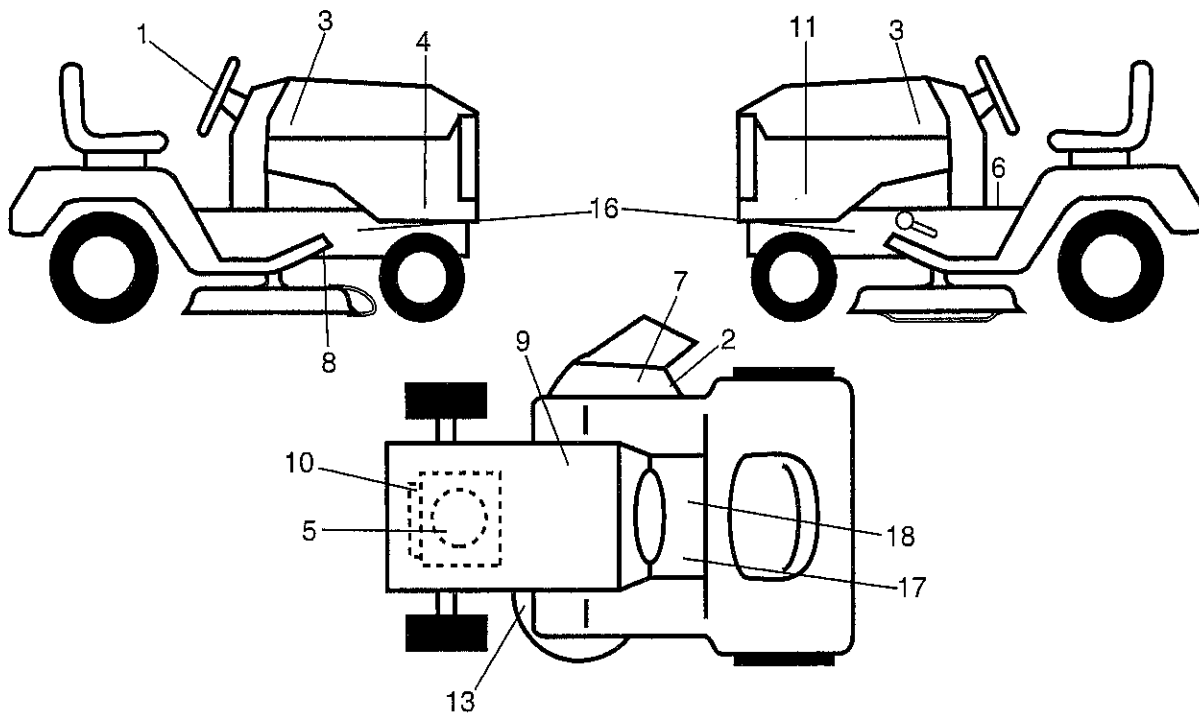
KEY NO.	PART NO.	DESCRIPTION
1	423645	Seat
2	180166	Bracket Pivot Fender
3	140675	Strap, Asm Fender
6	73800600	Nut, Lock 3/8-16 unc
7	124181X	Spring, Seat Cprsn
8	171877	Bolt 5/16-18 unc x 3/4 w/Sems
10	196977	Pan, Seat
21	171852	Bolt, Shoulder 5/16-18

KEY NO.	PART NO.	DESCRIPTION
37	73800500	Nut, Lock 5/16-18 unc
40	197661	Handle Slide Seat
41	198200	Spring Latch Seat
43	74760612	Bolt 3/8-16 x 3/4
44	19133812	Washer 13/32 x 2-3/8 x 12 Ga.

NOTE: All component dimensions given in U.S. inches.
1 inch = 25.4 mm

TRACTOR - - MODEL NO. 917.990360

DECALS



KEY PART NO. NO.

DESCRIPTION

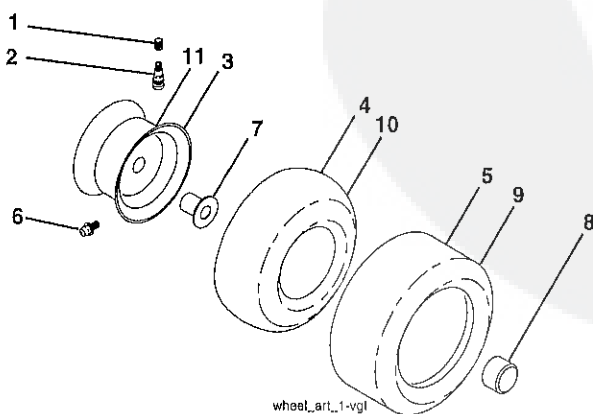
1	581894601	Decal, Steering
2	581579201	Decal, Reflector Warning
3	585767601	Decal, Hood
4	586207801	Decal, Sideskirt RH
5	583850001	Decal, Engine HP
6	581578101	Decal, Fender Warning
7	584904601	Decal, Deck/Deflect.
8	421534	Decal, V-Belt Schematic Drive
9	145005	Decal, Battery Warning
10	581579701	Decal, Warning Engine
11	586207802	Decal, Sideskirt LH
13	581580001	Decal, Mower V-Belt SCH.

KEY PART NO. NO.

DESCRIPTION

16	581579601	Decal, Hot Muffler
17	581724001	Decal, Brake/Clutch
18	581578001	Decal, Saddle Brake Parking
--	193226X428	Pad, Footrest LH
--	400981X428	Pad, Footrest RH
--	581724801	Decal, Bypass
--	581724601	Decal, Drawbar Load Limit
--	588107740	Manual, Operator's (Euro)
--	588107750	Manual, Operator's (Scan)
--	588107720	Manual, Operator's (E-Bloc)
--	588107730	Manual, Operator's (Baltic)
--	588107727	Manual, Parts

WHEELS & TIRES



KEY PART NO. NO.

DESCRIPTION

1	59192	Cap, Valve, Tire
2	65139	Stem, Valve
3	106732X613	Rim Assembly, Front
4	59904	Tube, Front
5	106222X	Tire, Front 15 x 6-6
6	278H	Fitting, Grease
7	9040H	Bearing, Flange
8	104757X428	Cap, Axle (Front Wheel Only)
9	138468	Tire, Rear 20 x 8-8
10	7152J	Tube, Rear
11	106108X613	Rim Assembly, Rear
--	144334	Sealant, Tire (10 oz. Tube)

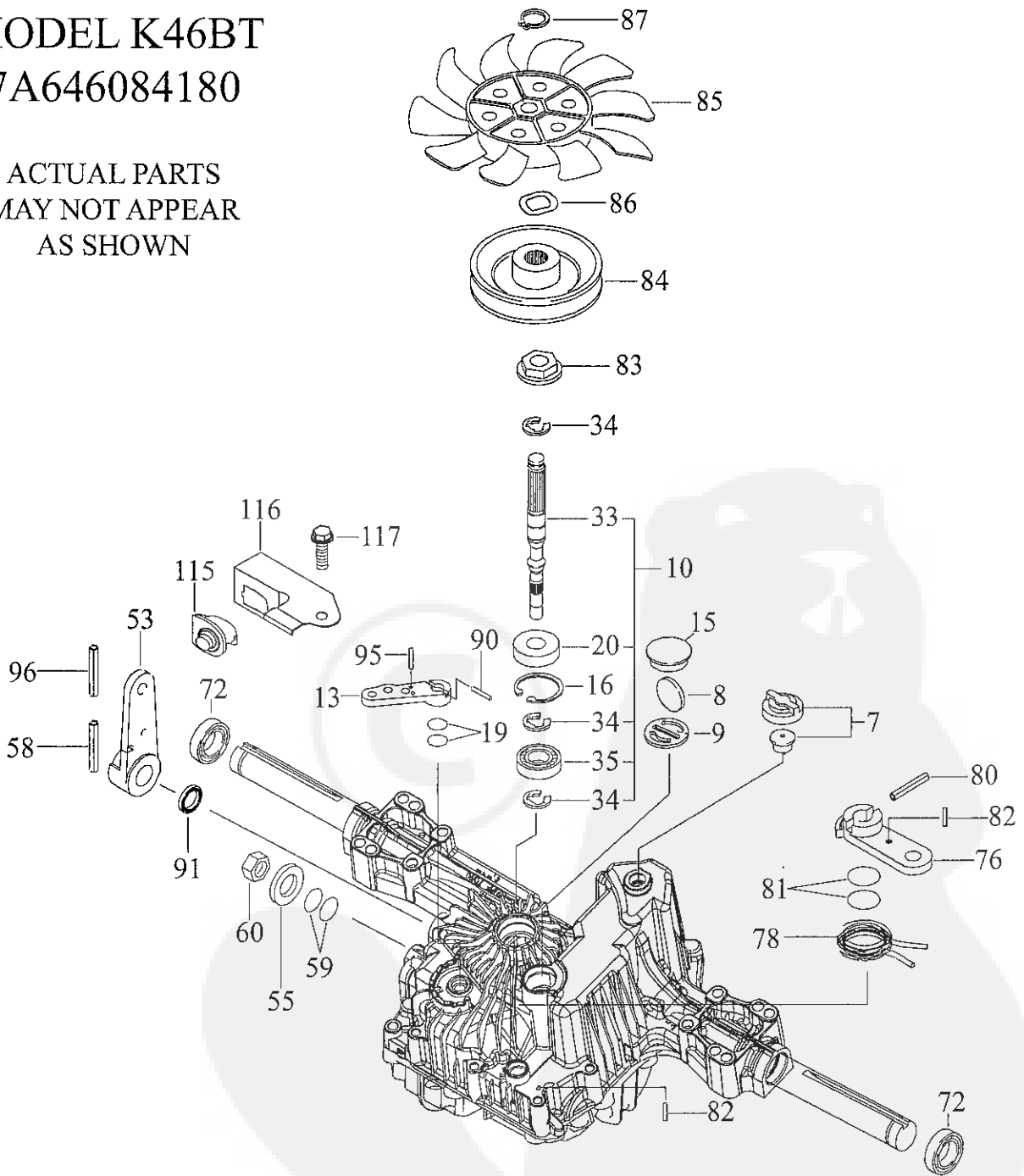
NOTE: All component dimensions given in U.S. inches
1 inch = 25.4 mm

TRACTOR - - MODEL NUMBER 917.990360

TUFF TORQ TRANSAXLE - MODEL NUMBER K46BT

MODEL K46BT
7A646084180

ACTUAL PARTS
MAY NOT APPEAR
AS SHOWN



TRACTOR - - MODEL NUMBER 917.990360

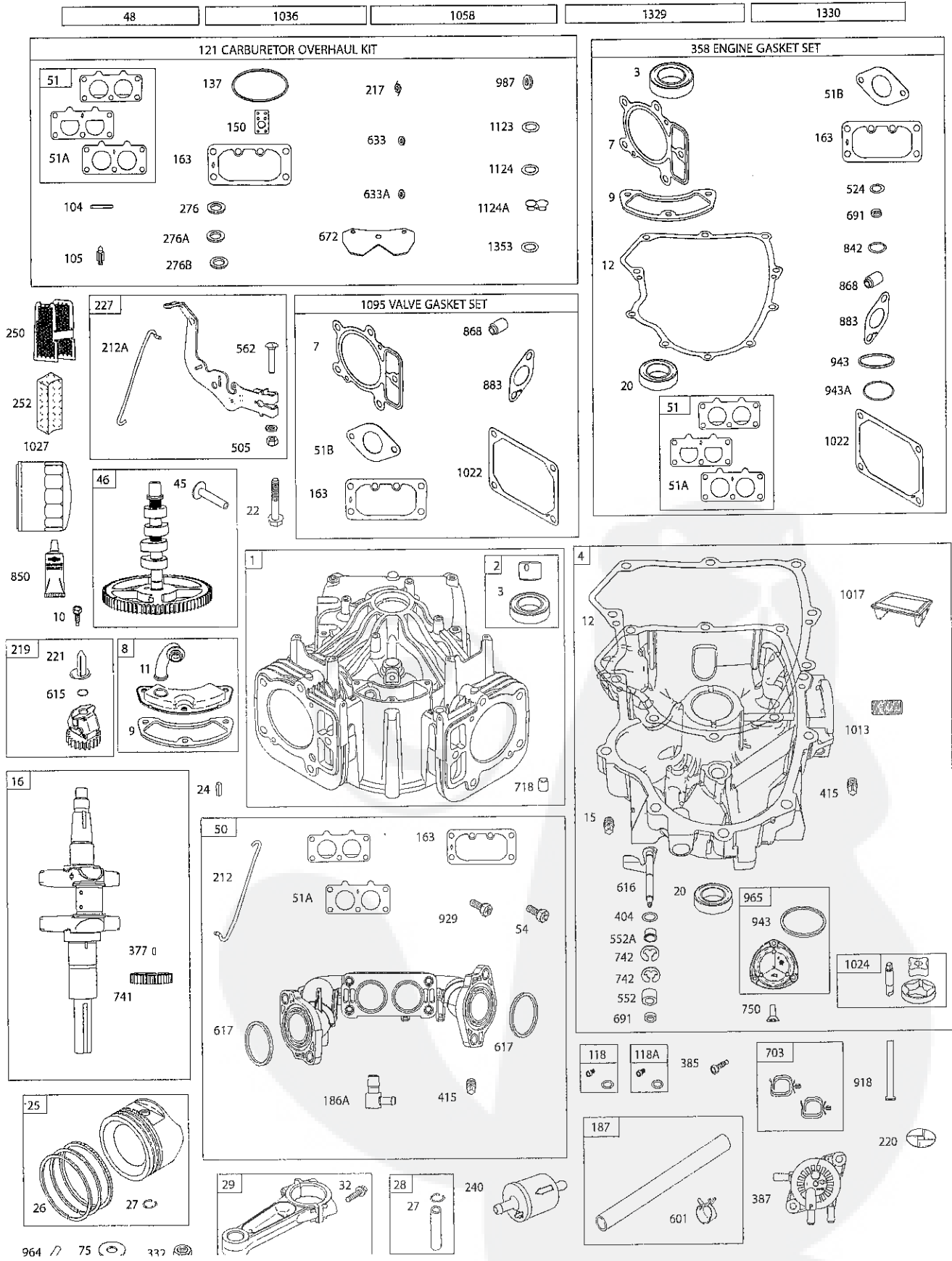
TUFF TORQ TRANSAXLE - MODEL NUMBER K46BT

KEY NO.	PART NO.	DESCRIPTION
7	414395	Vent Valve 15
8	414396	Magnet
9	414397	Magnet Holder
10	415923	Pump Shaft/bearing Kit
13	414398	Bypass Lever
15	414399	Sealing Cap 30
16	414400	Snap Ring C 35
19	414401	O-ring 1a P10a
20	414402	Seal Tc 153507
33	414403	Pump Shaft (Standard)
34	414404	E-ring 15
35	414405	Bearing 6202c3
53	414431	Control Lever F
55	415924	Washer 12
58	415925	Roll Pin 6 * 40
59	415926	O-ring 1a P14
60	415927	Nut 12
72	414407	Seal 19 * 32 * 8
76	414408	Brake Lever
78	414409	Brake Return Spring
80	414410	Spring Pin 5 * 32
81	414411	O-ring 1a P12
82	414412	Spring Pin 4 * 16
83	414413	Spine Collar
84	414414	Pulley L
85	414415	Fan, Black
86	414416	Wave Washer
87	414417	Snap Ring
90	414418	Spring Pin 3.0a * 20
91	414419	Oil Seal 16 * 22 *.03
95	414850	Spring Pin 3.0a*16
96	414420	Roll Pin 3.5 * 40
115	415928	Switch 6440-11 Delta
116	415929	Switch Bracket
117	415930	Tapping Screw 8 * 20

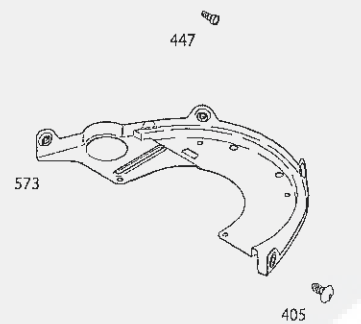
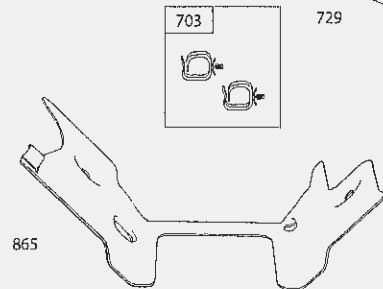
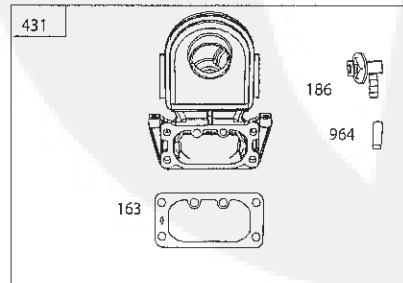
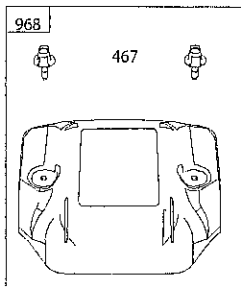
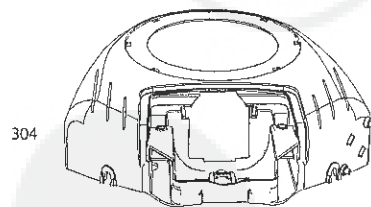
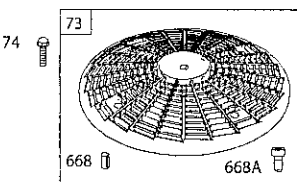
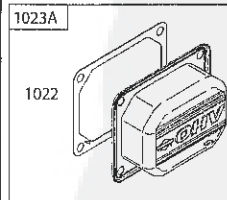
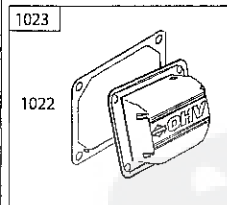
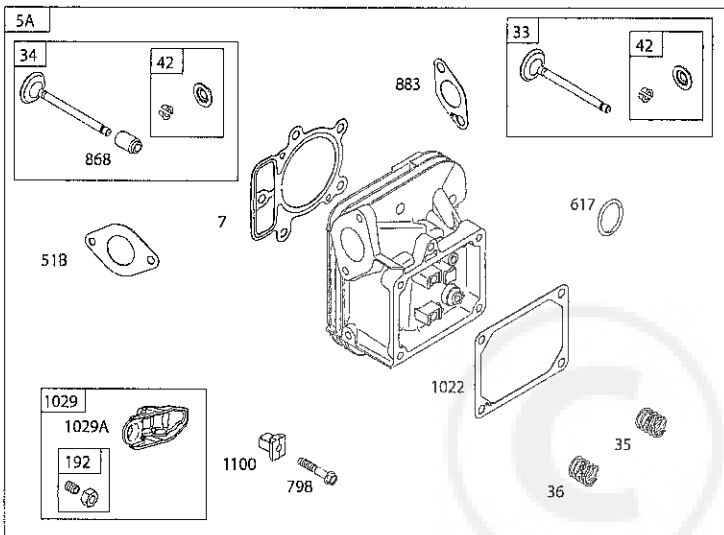
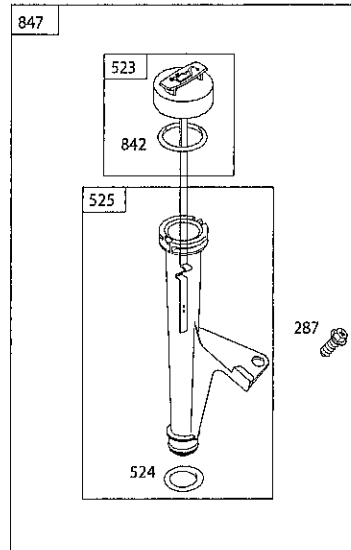
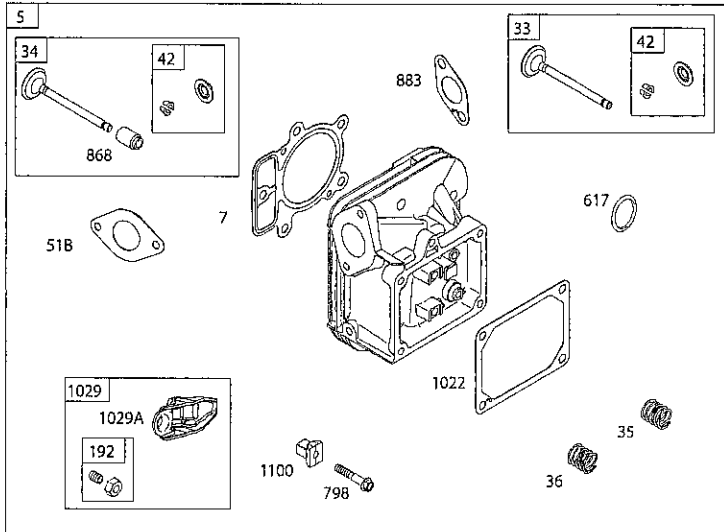
NOTE: All component dimensions given in U.S. inches
1 inch = 25.4 mm

TRACTOR - - MODEL NO. 917.990360

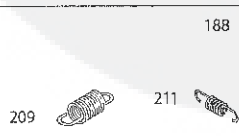
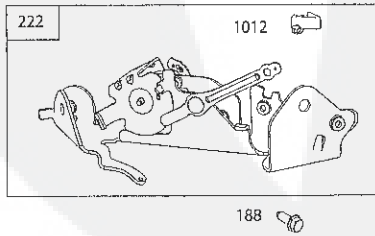
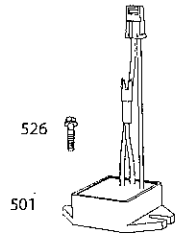
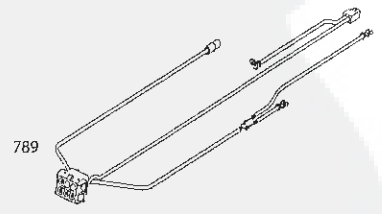
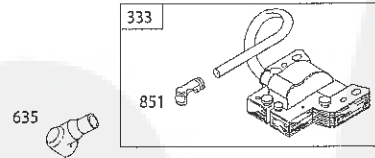
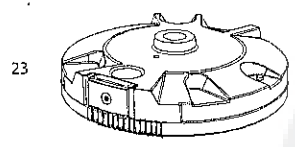
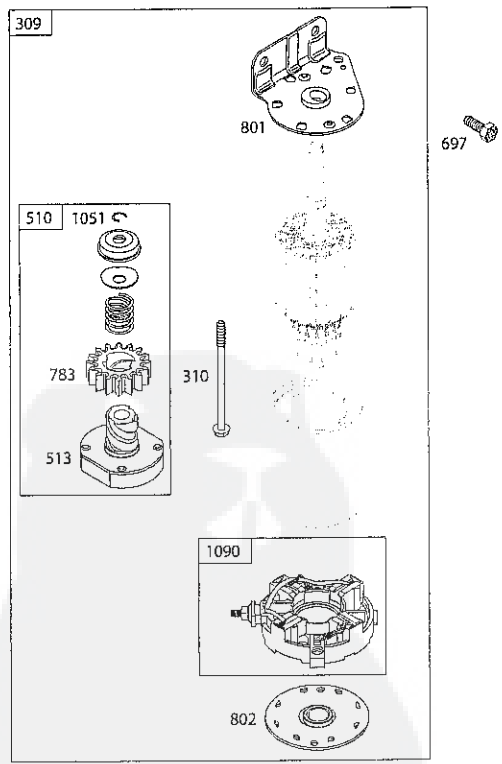
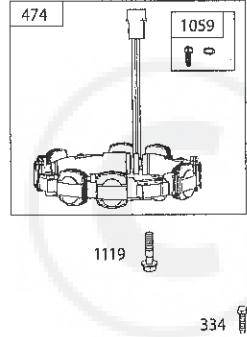
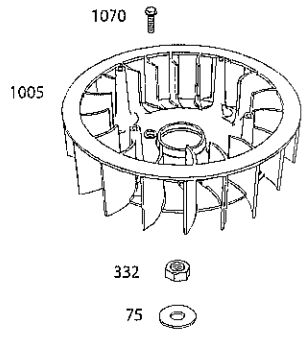
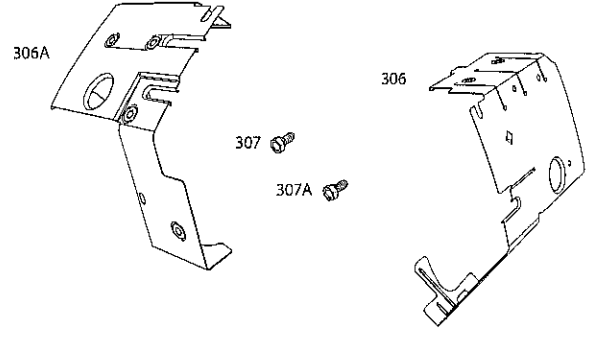
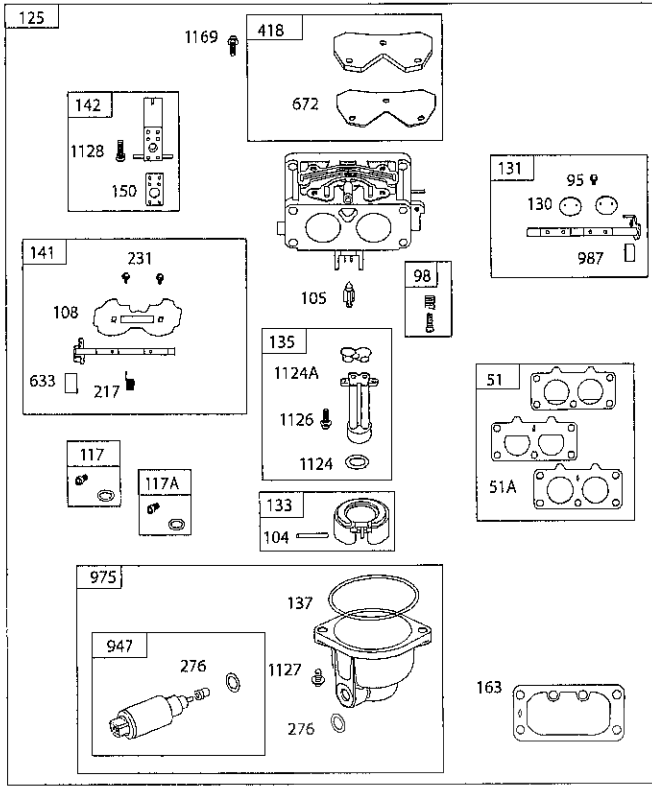
BRIGGS & STRATTON ENGINE - - MODEL NUMBER 40R877, TYPE NUMBER 0019-B1



TRACTOR - - MODEL NO. 917.990360
BRIGGS & STRATTON ENGINE - - MODEL NUMBER 40R877, TYPE NUMBER 0019-B1



TRACTOR - - MODEL NO. 917.990360
BRIGGS & STRATTON ENGINE - - MODEL NUMBER 40R877, TYPE NUMBER 0019-B1



TRACTOR - - MODEL NO. 917.990360**BRIGGS & STRATTON ENGINE - - MODEL NUMBER 40R877, TYPE NUMBER 0019-B1**

KEY NO.	PART NO.	DESCRIPTION	KEY NO.	PART NO.	DESCRIPTION
1	591694	Cylinder Assembly	121	797890	Kit-Carburetor Overhaul
2	797673	Bushing/Seal Kit (Magneto Side)	125	796227	Carburetor
3	391086s	Seal-Oil (Magneto Side)	130	690993	Valve-Throttle
4	796307	Sump-Engine	131	499805	Kit-Throttle Shaft
5	796231	Head-Cylinder (Cylinder #1)	133	699724	Float-Carburetor
5A	796232	Head-Cylinder (Cylinder #2)	135	699729	Tube-Fuel Transfer
7	693997	Gasket-Cylinder Head	137	690994	Gasket-Float Bowl
8	792185	Breather Assembly	141	796228	Kit-Choke Shaft
9	690937	Gasket-Breather	142	699726	Nozzle-Carburetor
10	691108	Screw (Breather Assembly)	150	841649	Gasket-Nozzle
11	792184	Tube-Breather	163	691001	Gasket-Air Cleaner
12	591911	Gasket-Crankcase	186	845141	Connector-Hose (EVAP)
13	793988	Screw (Cylinder Head)	186A	795985	Connector-Hose (Intake Manifold)
15	690946	Plug-Oil Drain	187	791766	Line-Fuel (Cut to Required Length)
16	796237	Crankshaft	188	691108	Screw (Control Bracket)
20	795387	Seal-Oil (PTO Side)	192	690083	Adjuster-Rocker Arm
22	694966	Screw (Crankcase Cover/Sump)	209	799169	Spring-Governor (Dark Blue)
23	691053	Flywheel	211	691019	Spring-Governed Idle (No Color)
24	222698s	Key-Flywheel (Aluminum)	212	695238	Link-Throttle
25	793647	Piston Assembly (Standard)	216	796229	Link-Choke
	793648	Piston Assembly (.020" Oversize)	217	799771	Spring-Choke Return
26	791787	Ring Set (Standard)	219	793338	Gear-Governor
	791792	Ring Set (.020" Oversize)	220	799772	Washer (Governor Gear)
27	690975	Lock-Piston Pin	221	841026	Cup-Governor
28	696581	Pin-Piston	222	592555	Bracket-Control
29	796209	Rod-Connecting	227	798856	Lever-Governor Control
32	690976	Screw (Connecting Rod)	231	690718	Screw (Choke Valve)
33	697576	Valve-Exhaust	240	691035	Filter-Fuel
34	792200	Valve-Intake	250	690957	Retainer-Breather
35	694865	Spring-Valve (Intake)	252	794389	Collector-Oil
36	694865	Spring-Valve (Exhaust)	265	691024	Clamp-Casing
42	499586	Keeper-Valve	267	792629	Screw (Casing Clamp)
45	690977	Tappet-Valve	276	695410	Washer-Sealing (Aluminum)
46	792555	Camshaft	276A	690997	Washer-Sealing (Fuel Solenoid)
48	N/A	Short Block (Not Available At This Printing)	276B	794271	Washer-Sealing
			287	697820	Screw (Dipstick Tube)
50	591784	Manifold-Intake	304	591656	Housing-Blower
51	795123	Gasket-Intake	305	691005	Screw (Blower Housing) (1/4-20x.68)
51A	690950	Gasket-Intake	305A	790690	Screw (Blower Housing) (Blower Housing to Intake Elbow)
51B	690949	Gasket-Intake			
53	690951	Stud (Carburetor)	305B	691061	Screw (Blower Housing) (#8-32x.87)
54	699816	Screw (Intake Manifold)	306	591666	Shield-Cylinder (Cylinder #2)
73	494439	Screen-Rotating	306A	796852	Shield-Cylinder (Cylinder #1)
74	698425	Screw (Rotating Screen)	307	691003	Screw (Cylinder Shield)
75	691056	Washer (Flywheel)	307A	691108	Screw (Cylinder Shield) (1/4-20x.66)
95	690718	Screw (Throttle Valve)	309	497595	Motor-Starter
98	699721	Kit-Idle Speed	310	690323	Screw (Starter Motor)
104	694918	Pin-Float Hinge	332	691059	Nut (Flywheel)
105	797410	Valve-Float Needle	333	592846	Armature-Magneto
108	699723	Valve-Choke	334	691061	Screw (Magneto Armature)
117	792296	Jet-Main (Standard) (Left Jet)	337	792015	Plug-Spark
117A	842627	Jet-Main (Standard) (Right Jet)	358	694012	Gasket Set-Engine
118	699457	Jet-Main (High Altitude) (Left Jet) (5000/9000 Feet)	377	690979	Key-Woodruff
			385	797409	Screw (Fuel Pump)
118A	699733	Jet-Main (High Altitude) (Right Jet) (5000/9000 Feet)	387	808656	Pump-Fuel

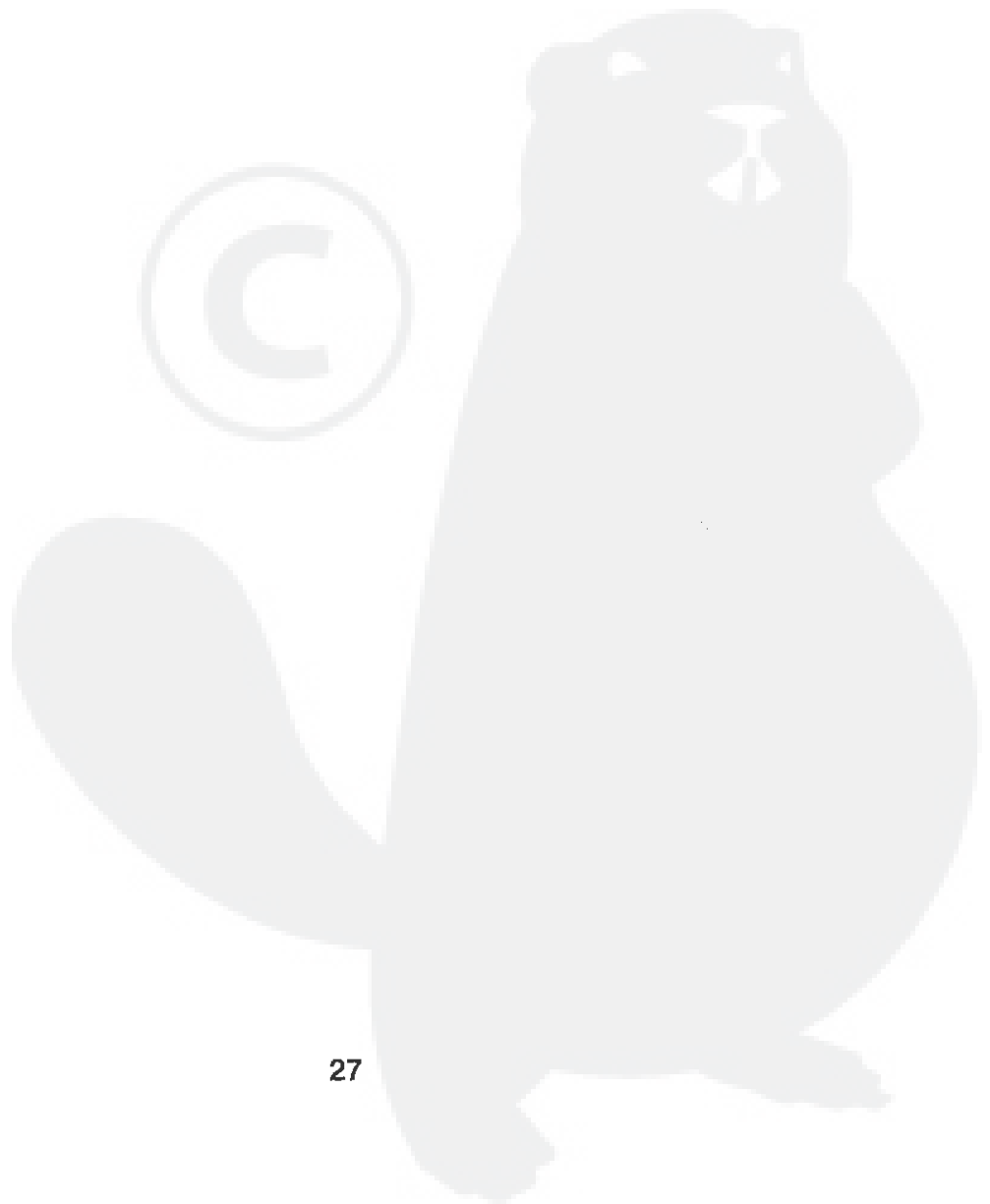
TRACTOR - - MODEL NO. 917.990360

BRIGGS & STRATTON ENGINE - - MODEL NUMBER 40R877, TYPE NUMBER 0019-B1

KEY NO.	PART NO.	DESCRIPTION	KEY NO.	PART NO.	DESCRIPTION
404	690442	Washer (Governor Crank)	943	796222	Seal-O Ring (Oil Pump Cover)
405	697820	Screw (Back Plate)			(Square Cut) (I.D. 2.48)
415	794903	Plug	943A	690589	Seal-O Ring (Oil Pump Cover)
431	591661	Elbow-Intake	947	798779	Solenoid-Fuel
445	591334	Filter-Air Cleaner Cartridge	964	799159	Cap-Connector
447	691003	Screw (Air Guide Cover) (#10-24x.43)	965	796221	Cover-Oil Pump
467	591660	Knob-Air Cleaner	968	591658	Cover-Air Cleaner
474	592830	Alternator	975	796777	Bowl-Fuel
501	845907	Regulator	987	691000	Seal-Throttle Shaft
505	691029	Nut (Governor Control Lever)	1005	791236	Fan-Flywheel
510	696541	Drive-Starter	1012	592556	Retainer-Link
513	692024	Clutch-Drive	1013	690954	Nipple-Oil Filter
523	691036	Dipstick	1017	796214	Screen-Oil Pump
524	691032	Seal-Dipstick Tube	1022	690971	Gasket-Rocker Cover
525	691037	Tube-Dipstick	1023	793146	Cover-Rocker (Cylinder #1)
526	691108	Screw (Regulator)	1023A	499600	Cover-Rocker (Cylinder #2)
552	796638	Bushing-Governor Crank	1024	796220	Pump-Oil
552A	690553	Bushing-Governor Crank	1026	690981	Rod-Push (Exhaust) (Steel)
562	690311	Screw (Governor Control Lever)	1026A	690982	Rod-Push (Intake) (Aluminum)
573	790444	Plate-Back	1027	492932s	Filter-Oil
601	691038	Hose-Clamp (Black)	1029	690972	Arm-Rocker
615	698290	Retainer-Governor Shaft	1029A	807323	Arm-Rocker
616	691045	Crank-Governor	1036		Label-Emissions (Available From A Briggs & Stratton Authorized Dealer)
617	697891	Seal-O Ring (Intake Manifold) (Red)			
633	699813	Seal-Choke/Throttle Shaft (Choke and Throttle Shaft)	1040	791237	Plate-Trim
633A	806131	Seal-Choke/Throttle Shaft	1051	691265	Ring-Retaining
635	66538s	Boot-Spark Plug	1058	381258TRI	Operator's Manual
654	690958	Nut (Carburetor)	1059	698516	Kit-Screw/Washer (Alternator)
668	691500	Spacer (Rotating Screen)	1070	592604	Screw (Flywheel Fan)
668A	691215	Spacer (Rotating Screen)	1090	691293	Retainer-Brush
672	690234	Gasket-Carburetor Plate	1095	694013	Gasket Set-Valve
691	790574	Seal-Governor Shaft	1100	791959	Pivot-Rocker Arm
697	591909	Screw (Drive Cap)	1119	691183	Screw (Alternator)
703	691010	Clip (Fuel Line)	1123	690987	Seal-O Ring (Solenoid Retainer)
718	690959	Pin-Locating	1124	841653	Seal-O Ring (Fuel Transfer Tube)
729	797454	Clip-Wire	1124A	690988	Seal-O Ring (Fuel Transfer Tube)
741	690980	Gear-Timing	1126	690991	Screw (Fuel Transfer Tube)
742	690328	Retainer-E Ring	1127	695407	Screw (Float Bowl)
750	796208	Screw (Oil Pump Cover)	1128	690990	Screw (Carburetor Nozzle)
783	695708	Gear-Pinion	1169	690990	Screw (Carburetor Cover Plate)
789	591392	Harness-Wiring	1329	N/A	Replacement Engine (Not Available At This Printing)
798	697890	Screw (Rocker Arm)	1330	273521	Repair Manual
801	691283	Cap-Drive	1353	699725	Seal-O Ring (Fuel Transfer Tube Extension)
802	691286	Cap-End			
842	691031	Seal-O Ring (Dipstick Tube)			
847	499602	Dipstick/Tube Assembly			
850	100106	Sealant-Liquid	Carburetor Overhaul Kit		Key No. 121
851	493880s	Terminal-Spark Plug	Engine Gasket Set		Key No. 358
865	591667	Cover-Air Guide (Valley)	Valve Gasket Set		Key No. 1095
868	690968	Seal-Valve			
883	690970	Gasket-Exhaust			
914	691127	Screw (Rocker Cover)			
918	797408	Hose-Vacuum (Rocker Cover #1)			
929	695239	Screw (Choke Control Bracket)			

NOTE: All component dimensions given in U.S. inches.
1 inch = 25.4 mm

SERVICE NOTES



LIMITED WARRANTY ON CRAFTSMAN RIDING EQUIPMENT

For two (2) years from the date of purchase, if this Craftsman Riding Equipment is maintained, lubricated and tuned up according to the instructions in the owner's manual, Sears will repair or replace free of charge any parts that are found to be defective in material or workmanship according to the guidelines of coverage listed below. Sears will also provide free labor for these applicable warranted parts for the two full years. During the first 30 days of purchase, there will be no charges to service the product at your home for issues covered by this warranty. (See exclusions below). For your convenience, IN HOME warranty service will still be available after the first 30 days of purchase, but a trip charge will apply. This charge will be waived if the Craftsman product is dropped off at an authorized Sears location. For the nearest authorized Sears location, please call 1-800-4-MY-HOME®. This warranty applies only while this product is within the United States.

This Warranty does not cover:

- Expendable items which become worn during normal use, including but not limited to blades, spark plugs, air cleaners, belts, and oil filters.
- Standard Maintenance Servicing, oil changes, or tune-ups
- Tire replacement or repair caused by punctures from outside objects, such as nails, thorns, stumps, or glass.
- Repairs necessary because of operator abuse, including but not limited to, damage caused by towing objects beyond the capability of the riding equipment, impacting objects that bend the frame or crankshaft, or over-speeding the engine.
- Repairs necessary because of operator negligence, including but not limited to, electrical and mechanical damage caused by improper storage, failure to use the proper grade and amount of engine oil, failure to keep the deck clear of flammable debris, or failure to maintain the equipment according to the instructions contained in the owner's manual.
- Engine (fuel system) cleaning or repairs caused by fuel determined to be contaminated or oxidized (stale). In general, fuel should be used within 30 days of its purchase date.
- Normal deterioration and wear of the exterior finishes, or product label replacement.
- Riding equipment used for commercial or rental purposes.

LIMITED WARRANTY ON BATTERY

For ninety (90) days from date of purchase, if any battery included with this riding equipment proves defective in material or workmanship and our testing determines the battery will not hold a charge, Sears will replace the battery at no charge. During the first 30 days of purchase, there will be no charges to replace the battery at your HOME. After the first 30 days, for your convenience, IN-HOME warranty service will still be available but a trip charge will apply. This charge will be waived if the Craftsman product is dropped off at an authorized Sears location. For the nearest authorized Sears location, please call 1-800-4-MY-HOME®.

This battery warranty applies only while this product is within the United States.

This warranty gives you specific legal rights, and you may also have other rights, which vary, from state to state.

Sears Brands Management Corporation, Dept.817WA, Hoffman Estates, IL 60179



CRAFTSMAN®