

REPAIR PARTS MANUAL
MODEL NO. 255650
Lawn Tractor

CRAFTSMAN[®]

HOW TO USE THIS MANUAL

This manual is designed to provide the customer with a means to identify the parts on his/her tractor when ordering repair parts. The illustrations may or may not represent the actual assemblies; therefore, it is not recommended to use this manual as a guide to assemble or disassemble the tractor. Some hardware and parts are drawn larger in order to more readily identify them.

Each tractor has its own model number.

The model number for your tractor can be found on the fender under the seat.

When ordering parts, always give the following information:

- Product - "Tractor"
- Model Number - "255650"
- Part Number
- Part Description

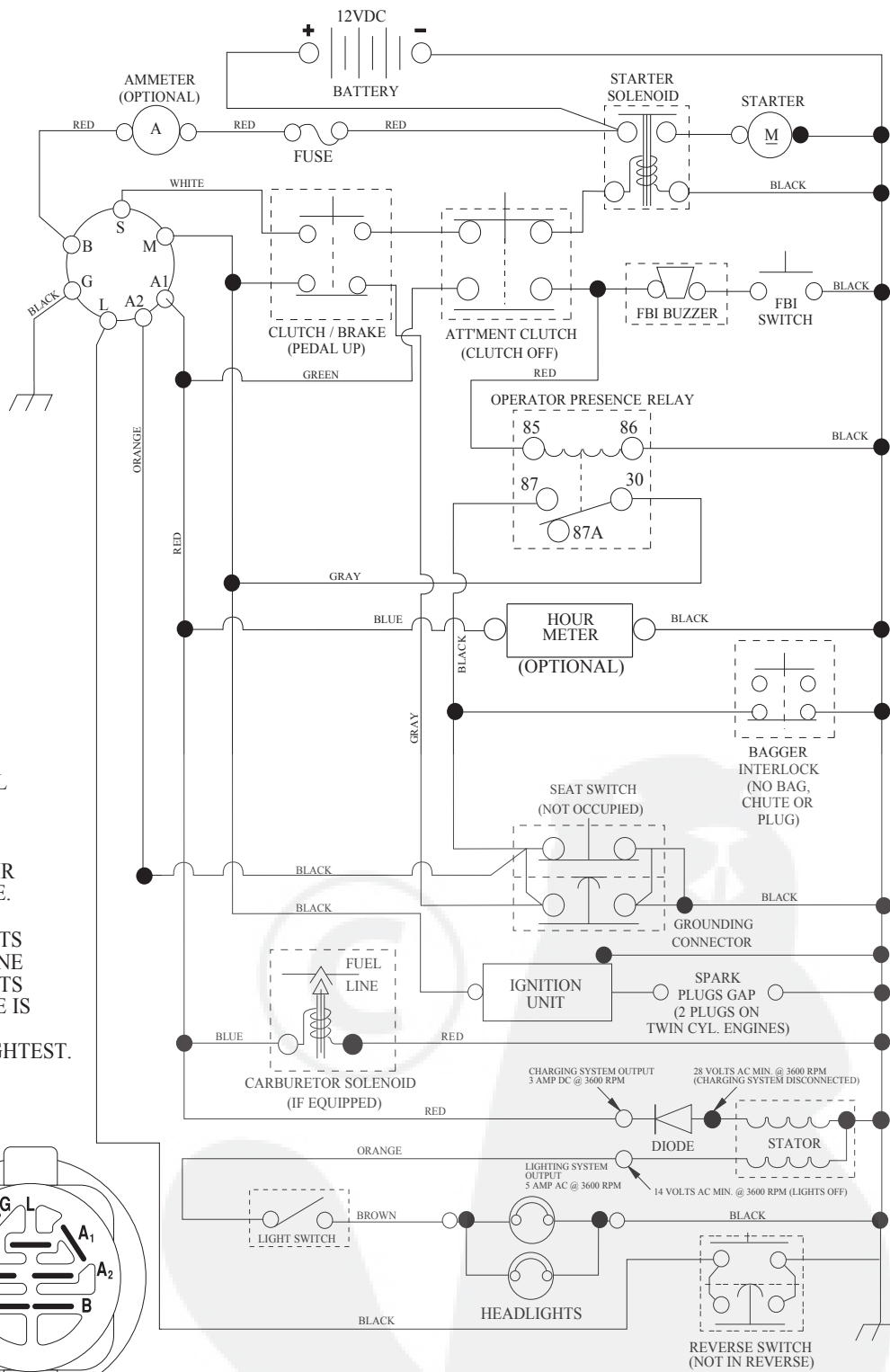
TABLE OF CONTENTS

SCHEMATIC	3
ELECTRICAL.....	4-5
CHASSIS	6-7
DRIVE.....	8-9
ENGINE.....	10-11
STEERING	12-13
MOWER DECK	14-15
MOWER LIFT.....	16
SEAT	17
BAGGER.....	18
DECALS.....	19
TRANSAXLE BREAKDOWN	20-21
ENGINE BREAKDOWN.....	22-25
WARRANTY.....	BACK COVER

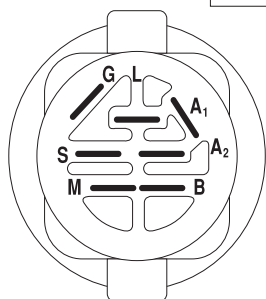
TRACTOR- -MODEL NO. 917.255650

SCHEMATIC

SCH08



NOTE
 YOUR TRACTOR IS EQUIPPED WITH A SPECIAL ALTERNATOR SYSTEM. THE LIGHTS ARE NOT CONNECTED TO THE BATTERY, BUT HAVE THEIR OWN ELECTRICAL SOURCE. BECAUSE OF THIS, THE BRIGHTNESS OF THE LIGHTS WILL CHANGE WITH ENGINE SPEED. AT IDLE THE LIGHTS WILL DIM. AS THE ENGINE IS SPEEDED UP, THE LIGHTS WILL BECOME THEIR BRIGHTEST.

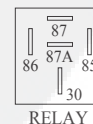


IGNITION SWITCH

POSITION	CIRCUIT "MAKE"
OFF	M+G+A1
RUN/OVERRIDE	B+A1
RUN	B+A1 L+A2
START	B + S + A1

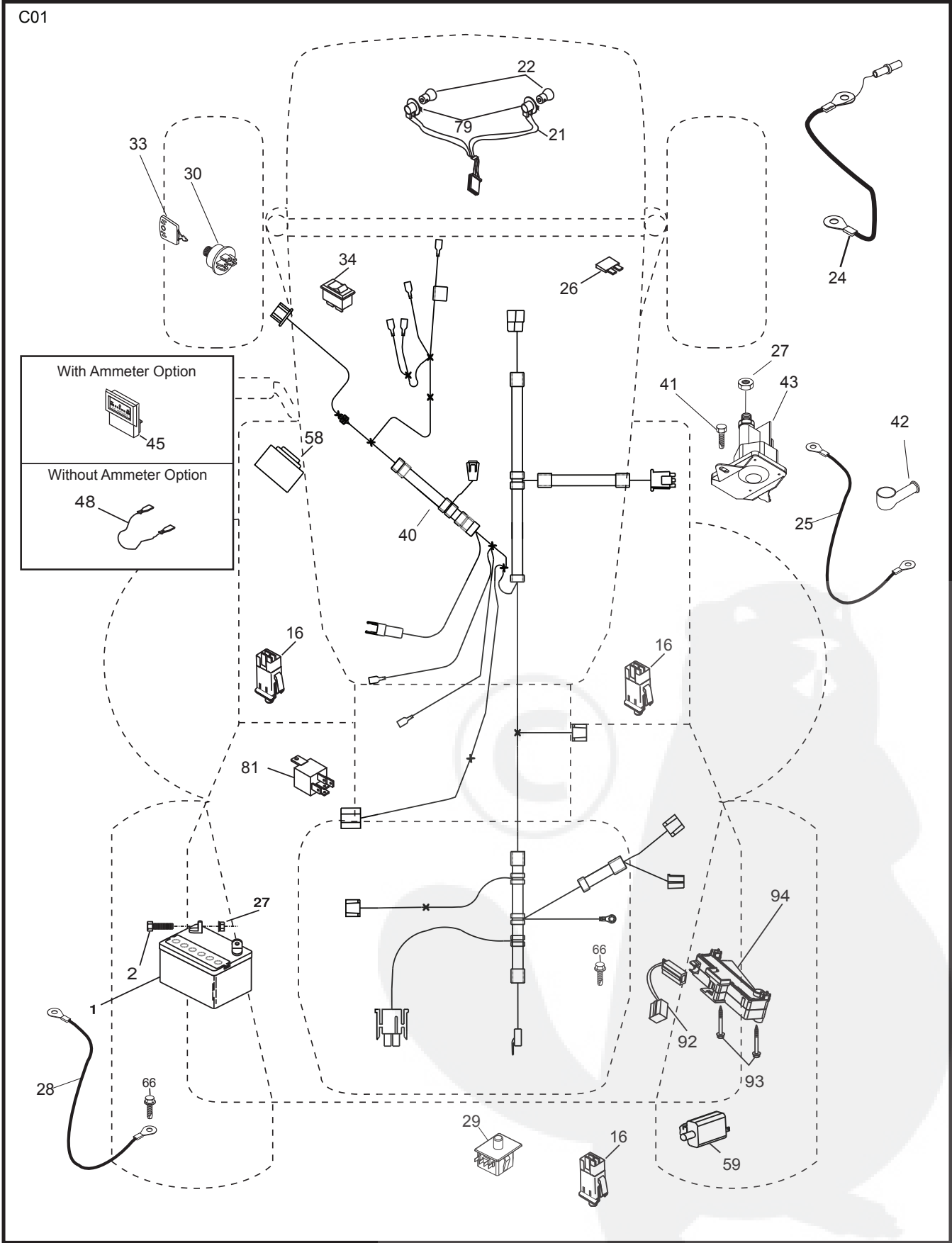
WIRING INSULATED CLIPS
 NOTE: IF WIRING INSULATED CLIPS WERE REMOVED FOR SERVICING OF UNIT, THEY SHOULD BE RE-INSTALLED TO PROPERLY SECURE YOUR WIRING.

REMOVABLE CONNECTIONS
 NON-REMOVABLE CONNECTIONS



TRACTOR- -MODEL NO. 917.255650

ELECTRICAL



TRACTOR- -MODEL NO. 917.255650

ELECTRICAL

KEY NO.	PART NO.	DESCRIPTION
1	163465	Battery
2	74760412	Bolt Hex Hd 1/4-20 unc x 3/4
16	176138	Switch Interlock Push-In
21	175688	Harness Asm Light W/4152J
22	4152J	Bulb Light #1156
24	165987	Cable Battery Crd 56" Red
25	421299	Cable Starter 6 Ga. 11" Red
26	175158	Fuse
27	73510400	Nut Keps Hex 1/4-20 unc
28	127725X	Cable Ground 6 Ga. 18" Black
29	192749	Switch Seat
30	193350	Switch Ignition
33	411934	Key/Chain
34	110712X	Switch Light
40	197436	Harness Ign
41	71110408	Bolt Flk Fin Hex 1/4-20 unc x 1/2
42	131563	Cover Terminal Red
43	192507	Solenoid
48	140844	Adapter Ammeter
58	169419	Buzzer Crd
59	180379	Switch FBI CRD
66	17490608	Screw Thdrol 3/8-16 x 1/2 Ty-Tt
79	175242	Socket Asm bulb Twistlock
81	109748X	Relay Asm
92	196615	Harness Pigtail
93	192450	Screw 10-14 x 2.0
94	191834	Module Reverse

NOTE: All component dimensions given in U.S. inches.
1 inch = 25.4 mm.

TRACTOR- -MODEL NO. 917.255650

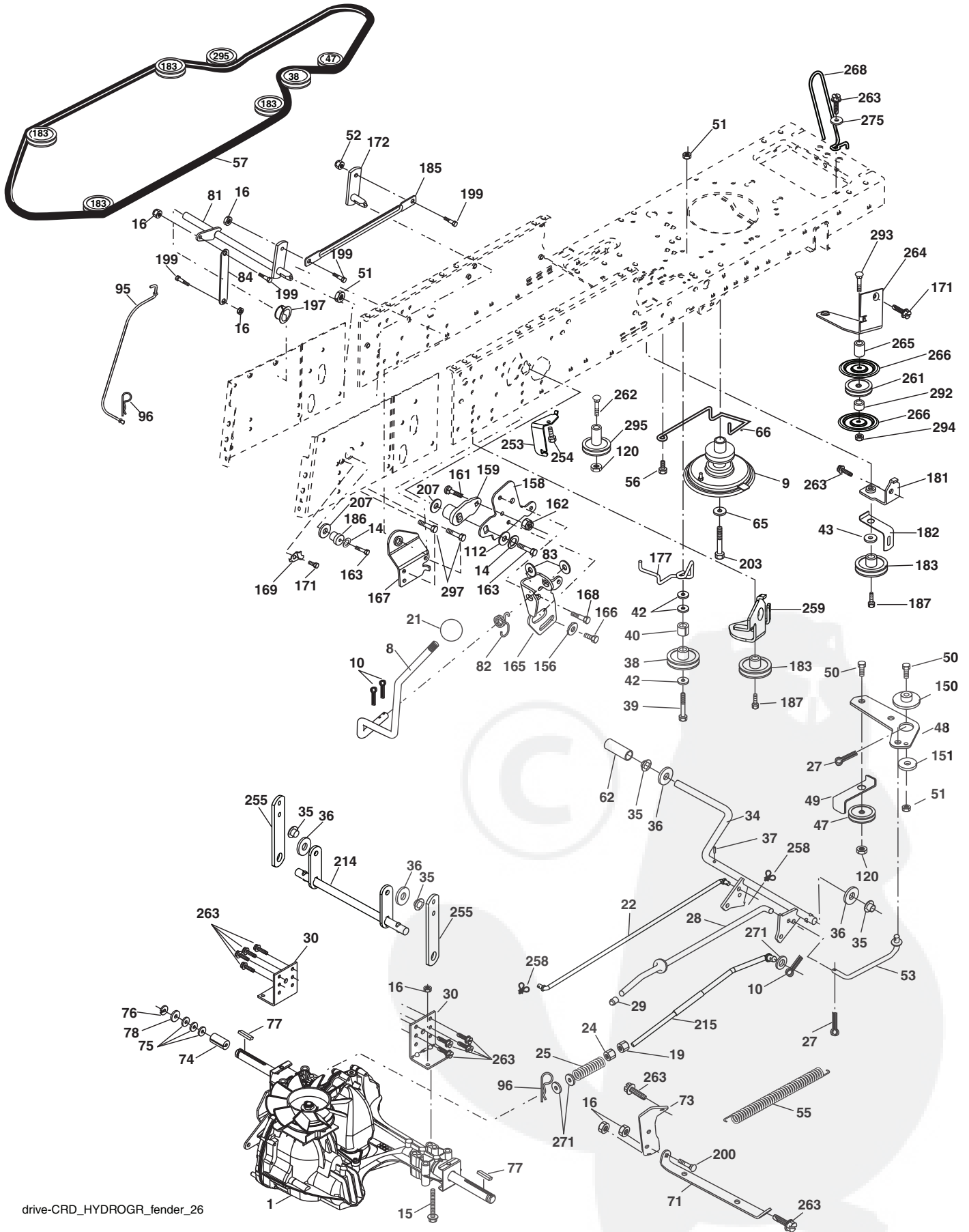
CHASSIS AND ENCLOSURES

KEY NO.	PART NO.	DESCRIPTION	KEY NO.	PART NO.	DESCRIPTION
1	174620	Chassis	165	179020X428	Cover Battery CRD
2	180384	Drawbar	170	199488	Backplate CRD
3	17060612	Screw 3/8-16 x .75	171	72140620	Bolt Rdhd Sqnk 3/8-16 x 2-1/2 G5
5	155272	Bumper Hood/Dash	172	19132016	Washer 13/32 x 1-1/4 x 16 Ga.
6	184419	Saddle	173	73510600	Nut, Keps Hex 3/8-16 unc
8	126471X	Clip Insulator 13/32 Mtg. Hole	175	188203	Trap Door CRD
9	193518	Dash	179	188202	Rod Pivot FBI CRD
10	72140608	Bolt, Carriage 3/8-16 x 3/4	184	174662	Bracket Actuator Bagger CRD
11	174996	Panel, Dash, LH	185	179608X667	Knob Rod
13	172105	Panel, Asm. Dash RH	186	160793	Latch Asm Multch Bagger
15	74180512	Screw, Machine, Truss Head 5/16-18 unc x 3/4	187	2029J	Nut Weld .327/.304 #10-24
16	73510500	Nut	188	19061216	Washer #10
17	185682X615	Hood	189	10071000	Washer Lock #10
18	184921	Bumper Hood	190	71081010	Screw Pan Hd Phillips 10-24 x 5/8
24	74780616	Bolt	198	168937	Nut Push
25	19131312	Washer 13/32 x 13/16 x 12 Ga.	205	17490608	Screw 3/8-16 x 1/2
26	73800600	Nut	207	17670508	Screw 5/16-18 x 1/2
28	184244X615	Grille	208	17670608	Screw Thdrol 3/8-16 x 1/2
30	192533X613	Fender	209	17000612	Screw Hex Wsh Thdrol 3/8-16 x 3/4
31	165156	Bracket, Fender Support	212	184248	Insert Lens
33	179716X615	Footrest, LH	256	180810X428	Cover Fender Rack CRD
34	179717X615	Footrest, RH	258	184245X599	Lens Laser RH
35	72110606	Bolt	259	184246X599	Lens Laser LH
37	17490508	Screw Thdrol 5/16-18 x 1/2 TYT	260	184250X428	Cover Lens
38	181748	Bracket Asm Pivot Mower Rear	261	189211X428	Insert Grille
39	407807	Bracket Pivot	265	185704	Seal, Side RH
69	142432	Screw Hex 1/4-1/2	266	185703	Seal, Side LH
89	192391X428	Console	278	416358	Screw #10 x 0.750 BOS Thread
145	409167	Rod Pivot Chassis/Hood	--	5479J	Plug Button
162	180382	Bracket Exten Chassis LH CRD			
163	180383	Bracket Exten Chassis RH CRD			
164	165605	Support Battery CRD			

NOTE: All component dimensions given in U.S. inches.
1 inch = 25.4 mm.

TRACTOR- -MODEL NO. 917.255650

DRIVE



drive-CRD_HYDROGR_fender_26

TRACTOR- -MODEL NO. 917.255650

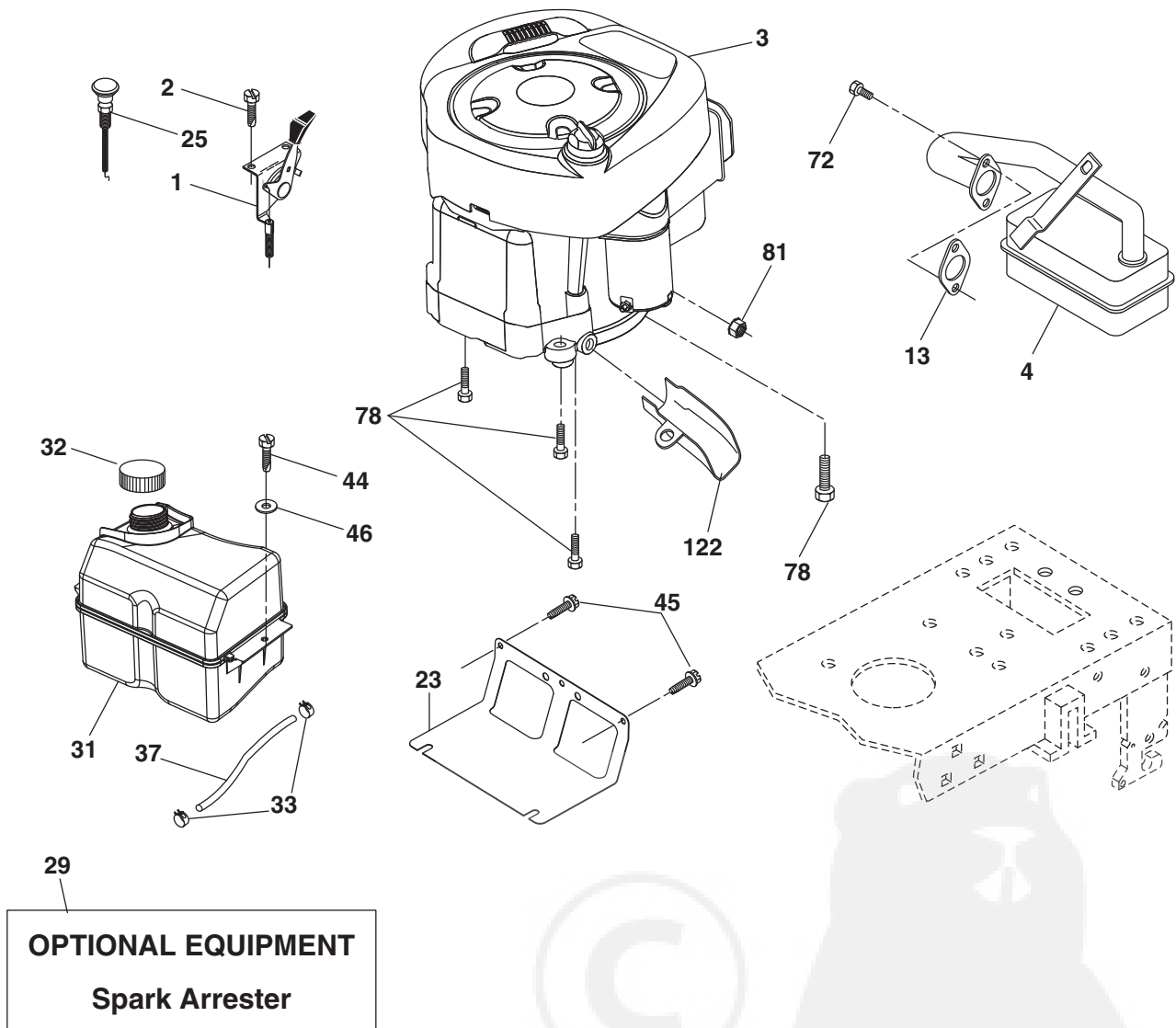
DRIVE

KEY NO.	PART NO.	DESCRIPTION	KEY NO.	PART NO.	DESCRIPTION
1	---	Transaxle Hydro Gear 321-0510 (170061) (See Transaxle Break-down.)	120	73900600	Nut Lock Flg. 3/8-16 unc
8	192706	Rod, Shift	150	165850	Bushing, Bellcrank Grnd Dr.
9	408579	Clutch	151	19133210	Washer 13/32 x 2 x 10 Ga.
10	76020416	Pin, Cotter 1/8 x 1	156	166002	Washer Srrted 5/16 ID x 1.125
14	10040400	Washer, Lock Hvy Helical	158	437458	Bracket Shift Mount
15	74490544	Bolt Hex FGHD 5/16-18 x Gr. 5	159	183900	Hub Shift
16	73800500	Nut, Lock Hex w/Ins 5/16-18 unc	161	72140406	Bolt Rdhd Sqnk 1/4-20 x 3/4 Gr. 5
19	73800600	Nut, Lock Hex w/Ins. 3/8-16	162	73680400	Nut Crownlock 1/4-20 unc
21	106933X	Knob	163	74780416	Bolt Hex Fin 1/4-20 unc x 1 Gr. 5
22	175607	Rod, Brake	165	438250	Bracket Pivot Lever
24	73350600	Nut	166	17490510	Screw 5/16-18 x 5/8
25	192036	Spring, Rod, Brake	167	165588	Bracket Support Shift CRD
27	76020412	Pin, Cotter 1/8 x 3/4	168	165492	Bolt Shoulder 5/16-18 x .561
28	175765	Rod, Parking Brake	169	165580	Plate Fastening Lt
29	71673	Cap, Parking Brake	171	17490608	Screw Thdrol 3/8-16 x 1/2 Ty-Tt
30	169592	Bracket, Mfg. Transaxle	172	170271	Shaft Asm Shifter Frt CRD
34	175578	Shaft, Asm Pedal Foot CRD	177	165932	Keeper Flat Idler 3.06" CRD
35	120183X	Bearing, Nylon	181	180211	Bracket Idler Ground Drive CRD
36	19211616	Washer 21/32 x 1 x 16 Ga.	182	182682	Keeper Belt 2.5" Od V-Idler CRD
37	1572H	Pin, Roll 3/16 x 1"	183	199534	Pulley V-Idler
38	165936	Pulley Flat Composite 3.06"	185	170008	Link Shift
39	74760644	Bolt Fin Hex 3/8-16 unc x 2-3/4	186	165614	Hub Tapered Round CRD
40	4470J	Spacer, Split 395 x 59 Bzp	187	17580520	Screw Thdrol 5/16-18 x 1.25
42	19131312	Washer 13/32 x 13/16 x 12 Ga.	197	169613	Nyliner Snap-In 5/8
43	19111012	Washer 11/32 x 5/8 x 12 Ga.	199	169612	Bolt Shoulder 5/16-18 unc
47	127783	Pulley, Idler, V Groove Plastic	200	72140508	Bolt RDHD SQNK 5/16-18 x 1
48	154407	Bellcrank Clutch Grnd Drv	203	71170780	Bolt Hex 7/16-20 x 5
49	123205X	Retainer, Belt Style Spring	207	169845	Washer Nylon Rear
50	72110612	Bolt, Carr. 3/8-16 x 1/2 x Gr. 5	214	175609	Shaft Asm. Brake
51	73680600	Nut, Crownlock 3/8-16 unc	215	175652	Rod Brake Hydro
52	73680500	Nut, Crownlock 5/16-18	253	175028	Bracket, Cable
53	199652	Link, Clutch 7.66	254	17000616	Screw 3/8-16 x 1
55	105709X	Spring, Return, Clutch	255	175608	Brace Shaft Brake Mtg.
56	17060620	Screw 3/8-16 x 1-1/4	258	178062	Clip Retainer
57	170140	V-Belt Kev 112" 0650 CRD	259	180212	Bracket Pulley
62	8883R	Cover, Pedal	261	131494	Pulley Idler Flat
65	10040700	Washer	262	72110622	Bolt Rdhd 3/8-16 unc x 2-3/4 Gr. 5
66	154778	Keeper, Belt Engine F-Proof	263	17000612	Screw 3/8-16 x 3/4
71	169183	Strap, Torque, LH	264	431174	Bracket Idler
73	169182	Strap, Torque, RH	265	426913	Spacer, Idler
74	137057	Spacer, Split	266	182061	Shield, Idler
75	121749X	Washer 25/32 x 1-1/4 x 16 Ga.	268	182402	Guard Muffler
76	12000001	Ring, E	271	19131416	Washer 13/32 x 7/8 x 16 Ga.
77	123583X	Key, Square	275	19131614	Washer 13/32 x 1 x 14 Ga.
78	121748X	Washer 25/32 x 1-5/8 x 16 Ga.	292	400271	Spacer
81	170006	Asm, Shaft	293	72140628	Bolt 3/8-16 x 3-1/2
82	165711	Spring, Torsion	294	197033	Nut Jam 3/8-16
83	19171216	Washer 17/32 x 3/4 x 16 Ga.	295	179114	Pulley Idler Composite
84	170007	Link, Transaxle	297	17490610	Screw HXWSH THDR 3/8-16 x 5/8
95	170015	Control Asm Bypass Hydro			
96	4497H	Spring, Retainer 1"			
112	19091210	Washer 9/32 x 3/4 x 10 Ga.			

NOTE: All component dimensions given in U.S. inches
1 inch = 25.4 mm

TRACTOR- -MODEL NO. 917.255650

ENGINE



engine-CRD_bs_20

TRACTOR- -MODEL NO. 917.255650

ENGINE

KEY NO.	PART NO.	DESCRIPTION
1	170545	Control Throttle
2	17720408	Screw Hex Thd Cut 1/4-20 x 1/2
3	-----	Engine Briggs Model 31C707-2429-B1(438592) (Order parts from engine manufacturer.)
4	137352	Muffler Exhaust B&S Lt
13	165291	Gasket 1 313 Id Tin Plated
23	169837	Shield Browning/Debris Guard
25	187770X428	Control Choke
29	137180	Arrestor Spark
31	407551	Tank Fuel
32	430220	Cap Asm Fuel
33	123487X	Clamp Hose Blk
37	137040	Line Fuel 20"
44	17670412	Screw Hexwsh Thdrol 1/4-20 x 3/4
45	17000612	Screw Hexwsh Thdr 3/8-16 x 3/4
46	19091416	Washer 9/32 x 7/8 x 16 Ga.
72	192334	Screw Socket 5/16-18 x 3/4
78	17060620	Screw 3/8-16 x 1-1/4
81	73510400	Nut Keps 1/4-20 unc
122	421922	Extension Drain Oil

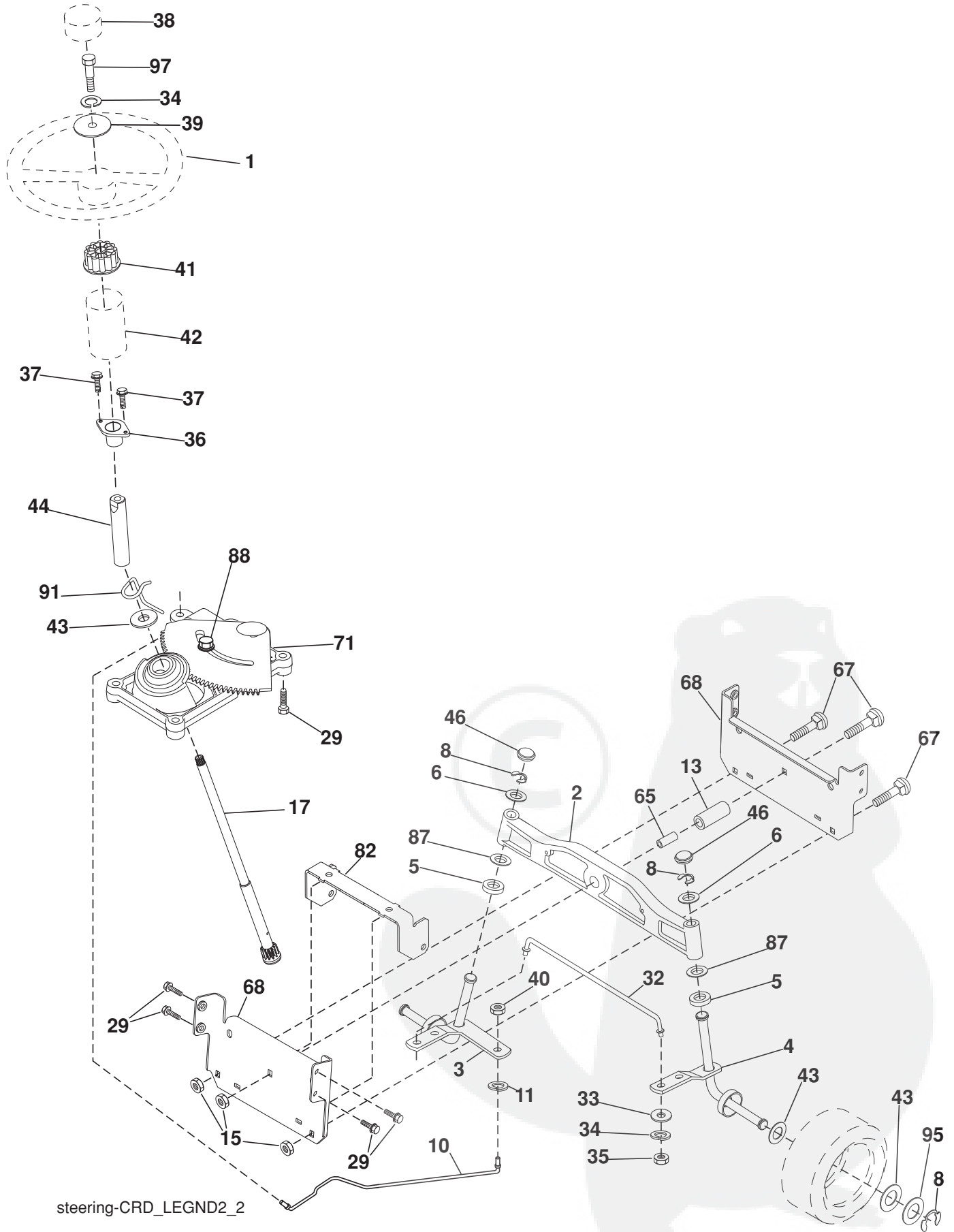
NOTE: All component dimensions given in U.S. inches
1 inch = 25.4 mm

Engine Power Rating Information

The gross power rating for individual gas engine models is labeled in accordance with SAE (Society of Automotive Engineers) code J11940 (Small Engine Power & Torque Rating Procedure), and rating performance has been obtained and corrected in accordance with SAE J1995 (Revision 2002-5). Actual gross engine power will be lower and is affected by, among other things, ambient operating conditions and engine-to-engine variability. Given both the wide array of products on which engines are placed and the variety of environmental issues applicable to operating the equipment, the gas engine will not develop the rated gross power when used in a given piece of power equipment (actual "on-site" or net horsepower). This difference is due to a variety of factors including, but not limited to, accessories (air cleaner, exhaust, charging, cooling, carburetor, fuel pump, etc.), application limitations, ambient operating conditions (temperature, humidity, altitude), and engine-to-engine variability. Due to manufacturing and capacity limitations, Briggs & Stratton may substitute an engine of higher rated power for this Series engine.

TRACTOR- -MODEL NO. 917.255650

STEERING ASSEMBLY



steering-CRD_LEGND2_2

TRACTOR- -MODEL NO. 917.255650

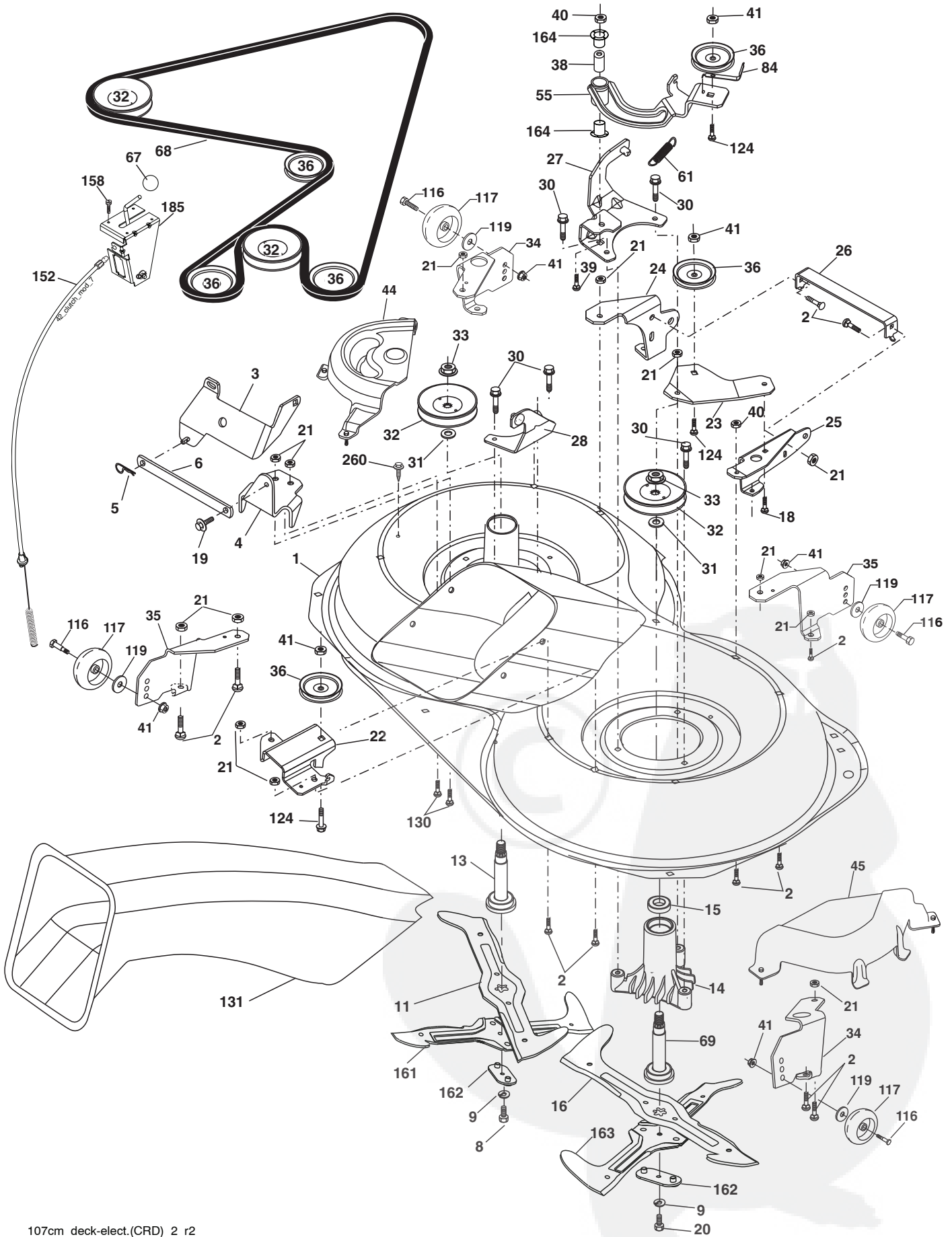
STEERING ASSEMBLY

KEY NO.	PART NO.	DESCRIPTION
1	414803X428	Steering Wheel
2	184706	Front Axle Assembly
3	169840	Spindle Assembly, L.H.
4	169839	Spindle Assembly, R.H.
5	6266H	Bearing, Race, Thrust, Hardened
6	121748X	Washer 25/32 x 1-5/8 x 16 Ga.
8	12000029	Ring, Klip
10	175121	Link, Drag
11	10040600	Washer, Lock
13	136518	Spacer Axle
15	73900600	Nut, Flange Lock
17	190753	Shaft Assembly, Steering
29	17000612	Screw, 3/8-16 x 3/4 SMGML Tap/R
32	170162	Rod, Tie
33	19111216	Washer 11/32 x 3/4 x 16 Ga.
34	10040500	Washer Lock Hvy Hlcl Spr 5/16
35	73540500	Nut Crownlock 5/16-24 unf
36	155099	Bushing, Steering
37	152927	Screw TT #10-32 x 5 x 3/8 Flange
38	414852X428	Cap Wheel Steering
39	19113812	Washer 11/32 ID x 2-3/8 OD x 12 Ga.
40	73540600	Nut Crownlock 3/8-24
41	186737	Adaptor, Steering Wheel
42	145054X428	Boot, Steering Dash
43	121749X	Washer 25/32 x 1-1/4 x 16 Ga.
44	190752	Extension Steering Non-Adjust
46	184946X667	Cap, Spindle
65	414736	Spacer Brace Axle
67	72110618	Bolt RDHD SQ 3/8-16 x 2-1/4
68	169827	Brace Axle
71	175146	Steering Asm.
82	199978	Bracket Susp Chassis Front
87	173966	Washer FLat .781 x 1-1/2 x .14
88	175118	Bolt Shoulder
91	175553	Clip Steering
95	188967	Washer Harden .739 x 1.637 x 060
97	428982	Bolt 5/16-18 x 4 w/Patch

NOTE: All component dimensions given in U.S. inches.
1 inch = 25.4 mm.

TRACTOR- -MODEL NO. 917.255650

MOWER



TRACTOR- -MODEL NO. 917.255650

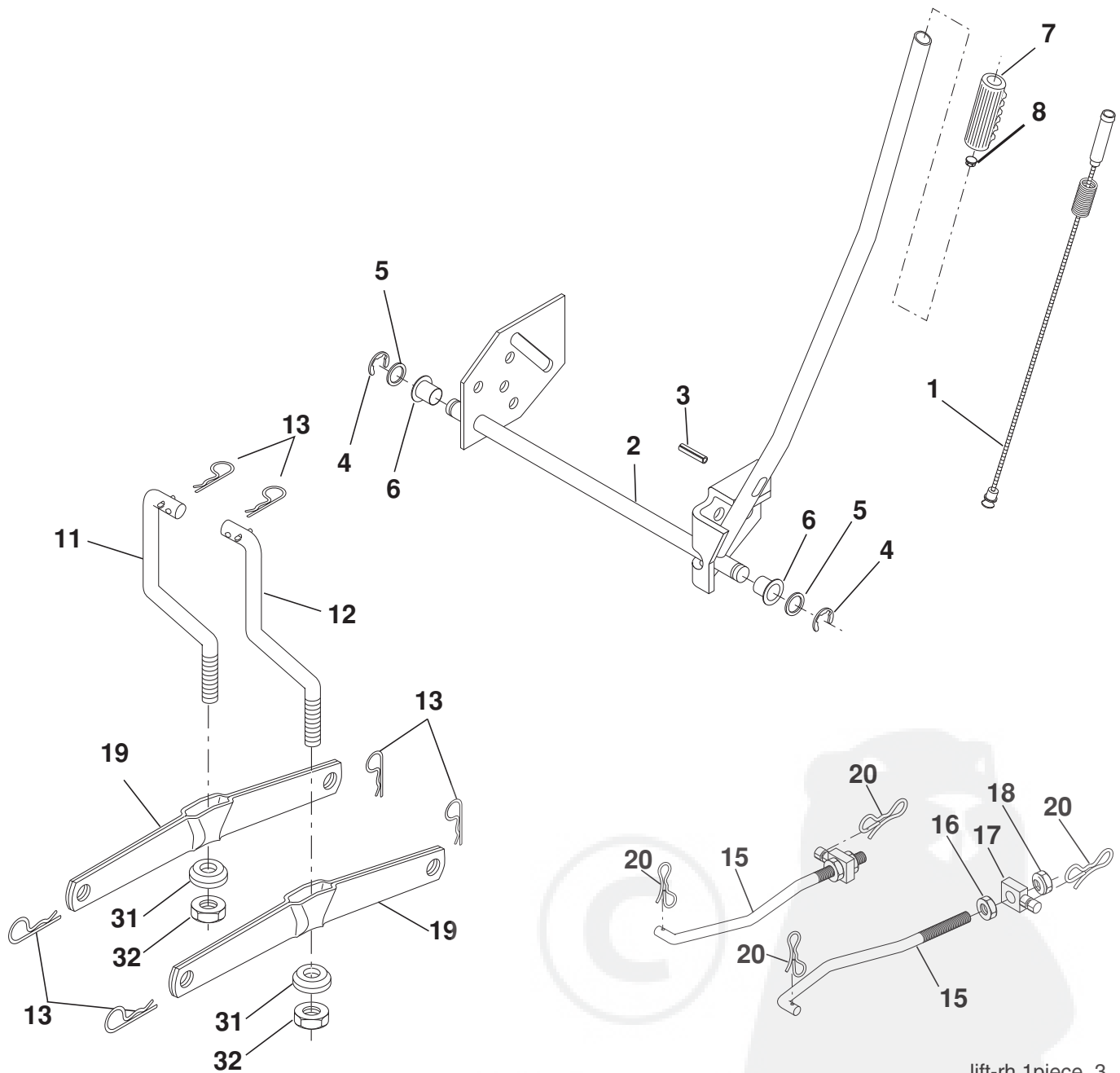
MOWER

KEY NO.	PART NO.	DESCRIPTION	KEY NO.	PART NO.	DESCRIPTION
1	169160	Housing Asm. Mower	44	432773	Cover Mandrel LH
2	72140506	Bolt Rdhd Sqnk 5/16-18 unc x 3/4	45	432772	Cover Mandrel RH
3	431864	Bracket Asm. S-Bar Chass	55	169849	Arm Idler 107 CRD
4	169167	Bracket Bar Sway Deck	61	199487	Spring Tension Belt
5	4939M	Retainer Spring	68	402009	Drive Belt Mower
6	165557	Bar Sway	69	165482	Shaft Asm W/Lwr Brg RH Thd CRD
8	181712	Bolt 3/8-24 x 1.25 Gr. 8 Ptch LHthd	67	106932X	Knob Rd. 3/8-16
9	10030600	Washer Lock Hvy 3/8 Unplated	84	156085	Keeper Belt Idler
11	180583	Blade 3-1 LH	116	193406	Bolt Shoulder
13	137645	Shaft Asm. W/Lower Bearing	117	174873	Wheel Gauge
14	128774	Housing Mandrel Vented (Machd)	119	19132012	Washer 13/32 x 1-1/4 x 12
15	110485X	Bearing Ball Mandrel	124	72110612	Bolt Carr Sh 3/8-16 x 1-1/2 Gr. 5
16	180584	Blade 3-1 RH	130	72110506	Bolt Rdhdsqnk 5/16-18 unc x 3/4
18	72110606	Bolt Rdhd Sht Sqnk 3/8-16 x 3/4	131	165661	Chute Bagger CRD 92cm
19	132827	Bolt Shoulder 5/16-18 Thd Form	161	446993	Blade Cross LH
20	181713	Bolt 3/8-24 x 1.25 Gr. 8 Patched	152	176074	Cable Clutch
21	73680500	Nut Crown Lock 5/16-18	158	17720408	Screw THD Cut 1/4-20 x 1/2
22	169165	Bracket Idler RR	162	446995	Adapter Weldment Blade
23	169166	Bracket Idler RF	163	180425	Blade Cross RH
24	413436	Bracket Suspension LH	164	3366R	Bearing Col. Strg.
25	400105	Bracket Suspension RF	185	188234	Head Asm. Cable Clutch
26	400110	Brace Support Susp Frt CRD	260	17670608	Screw Thdrol 3/8-16 x 1/2
27	169172	Bracket Asm. Susp RR	---	181857	Mandrel Assembly (Includes housing (key #14), shaft assembly (key #69), and bearing (key #15) only - pulley/nut/washer and blade bolt/washers not included)
28	169168	Bracket Asm. Susp LR	---	181858	Mandrel Asm CRD LH Threads SVC
30	173984	Screw Thd Rolling	---	432502	Deck Mower Complete (Order separately gauge wheel components key nos. 116-119)
31	187690	Washer Spacer			
32	198145	Mandrel Pulleys			
33	400234	Nut Flg Top Lock			
34	400103	Bracket Gauge Wheel LF/RR			
35	400104	Bracket Gauge Wheel RF/LR			
36	146763	Pulley Idler V-Groove Dim 4.25			
38	169851	Spacer Hub Arm Idler 107 CRD			
39	72110622	Bolt Rdhd 3/8-16 unc x 2-3/4 Gr. 5			
40	73680600	Nut Crownlock 3/8-16 unc			
41	73900600	Nut 3/8-16			

NOTE: All component dimensions given in U.S. inches
1 inch = 25.4 mm

TRACTOR- -MODEL NO. 917.255650

MOWER LIFT



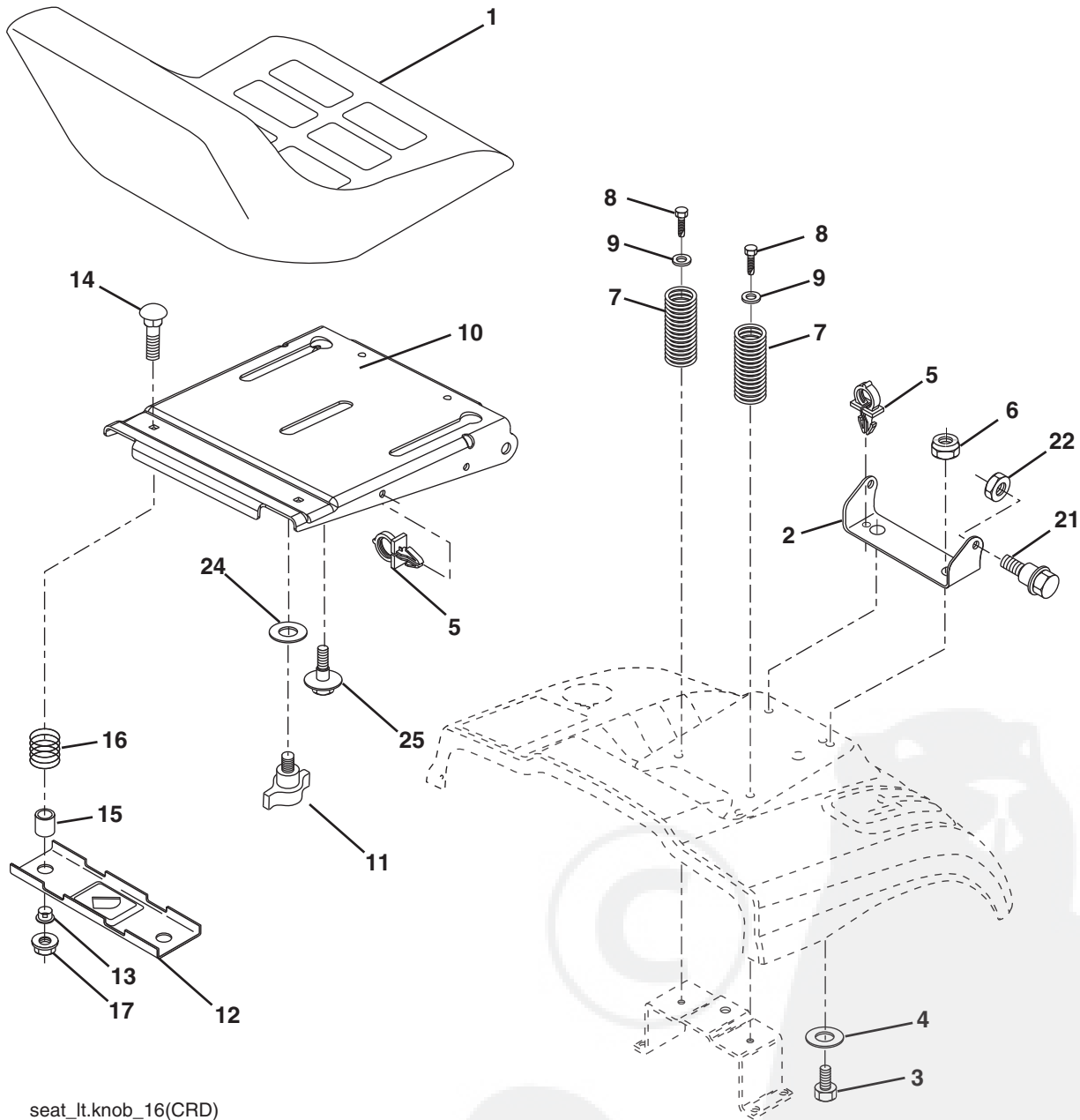
KEY NO.	PART NO.	DESCRIPTION
1	404981	Plunger Asm. Lift LVR
2	159471	Shaft Asm. Lift
3	105767X	Pin Groove
4	12000002	E Ring #5133-62
5	19211621	Washer 21/32 x 1 x 21 Ga.
6	120183X	Bearing Nylon
7	125631X	Grip Handle
8	122365X	Button Plunger
11	165829	Link Asm Lift LH
12	165831	Link Asm Lift RH
13	4939M	Retainer Spring

KEY NO.	PART NO.	DESCRIPTION
15	173288	Link Front
16	73350800	Nut Jam Hex 1/2-13 unc
17	175689	Trunnion Blk Zinc
18	73800800	Nut Lock w/wsh 1/2-13 unc
19	139868	Arm Suspension Mower
20	194209	Pin Cotter Bow Tie Lock
31	169865	Bearing, Pvt. Lift.
32	73540600	Nut Crownlock 3/8-24

NOTE: All component dimensions given in U.S. inches
1 inch = 25.4 mm

TRACTOR- -MODEL NO. 917.255650

SEAT ASSEMBLY



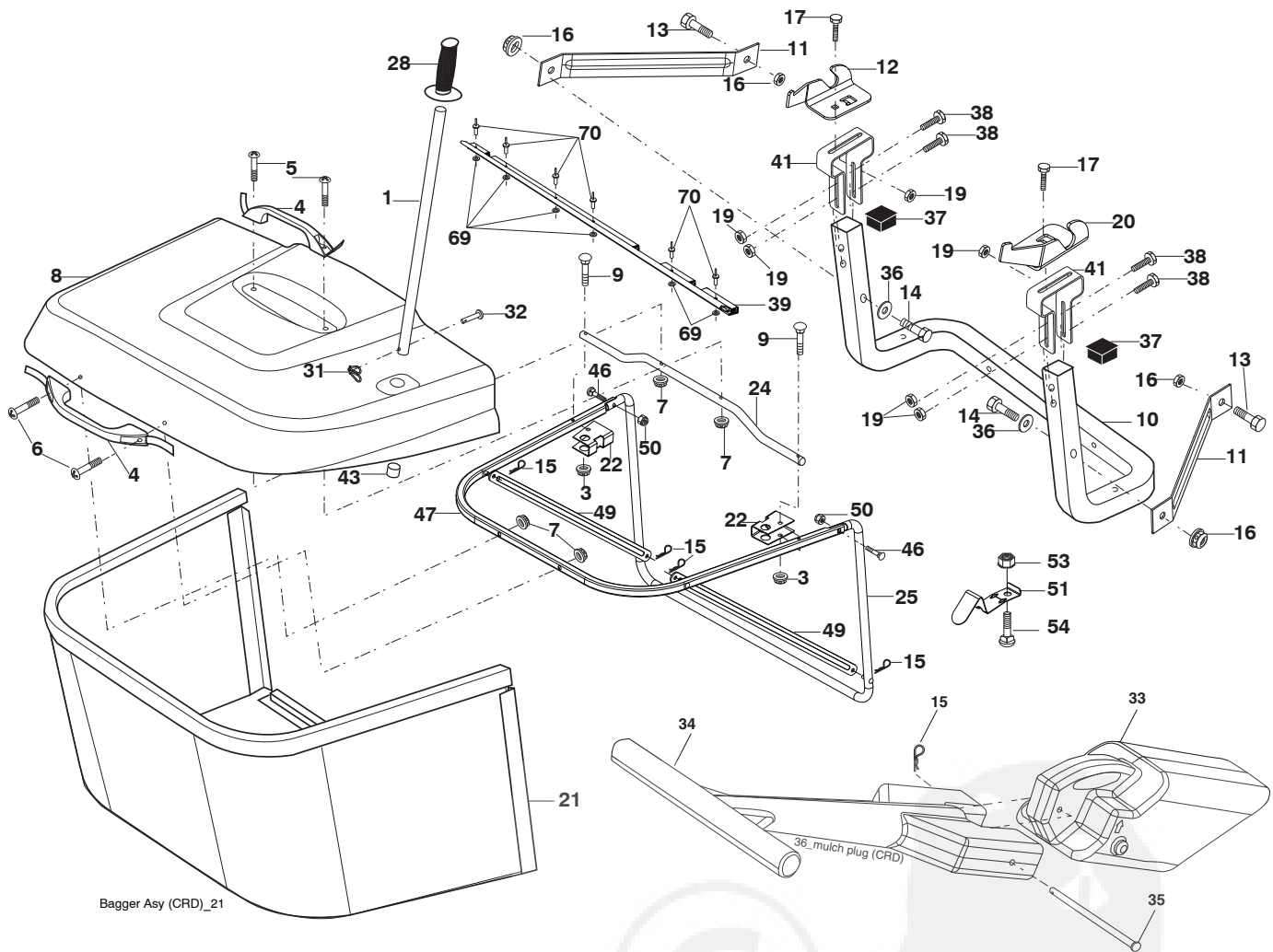
seat_lt.knob_16(CRD)

KEY NO.	PART NO.	DESCRIPTION	KEY NO.	PART NO.	DESCRIPTION
1	188714	Seat	13	121248X	Bushing Snap Blk Nyl 50 Id
2	140551	Bracket Pnt Pivot Seat (blk)	14	72050412	Bolt Rdhd Sht Nk 1/4-20 x 1-1/2
3	71110616	Bolt Fin Hex 3/8-16 unc x 1	15	121249X	Spacer Split
4	19131610	Washer Flat 13/32 x 1 x 10 Ga.	16	123740X	Spring Cprsn
5	145006	Clip Push In Hinged	17	123976X	Nut Lock 1/4 Lge Flg Gr. 5 Zinc
6	73800600	Nut Lock Hex 3/8-16 unc	21	171852	Bolt Shoulder 5/16-18 unc-2A
7	124181X	Spring Seat Cprsn 2 250 Blk Zi	22	73800500	Nut Hex Lock w/Ins 5/16-18
8	17000616	Screw 3/8-16 x 1	24	19171912	Washer 17/32 x 1-3/16 x 12 Ga.
9	19131614	Washer 13/32 x 1 x 14 Ga.	25	127018X	Bolt Shoulder 5/16-18 x .62
10	195530	Pan Pnt Seat			
11	166369	Knob Seat Adj Wingnut			
12	174648	Bracket Pnt Mounting Switch			

NOTE: All component dimensions given in U.S. inches.
1 inch = 25.4 mm

TRACTOR- -MODEL NO. 917.255650

BAGGER



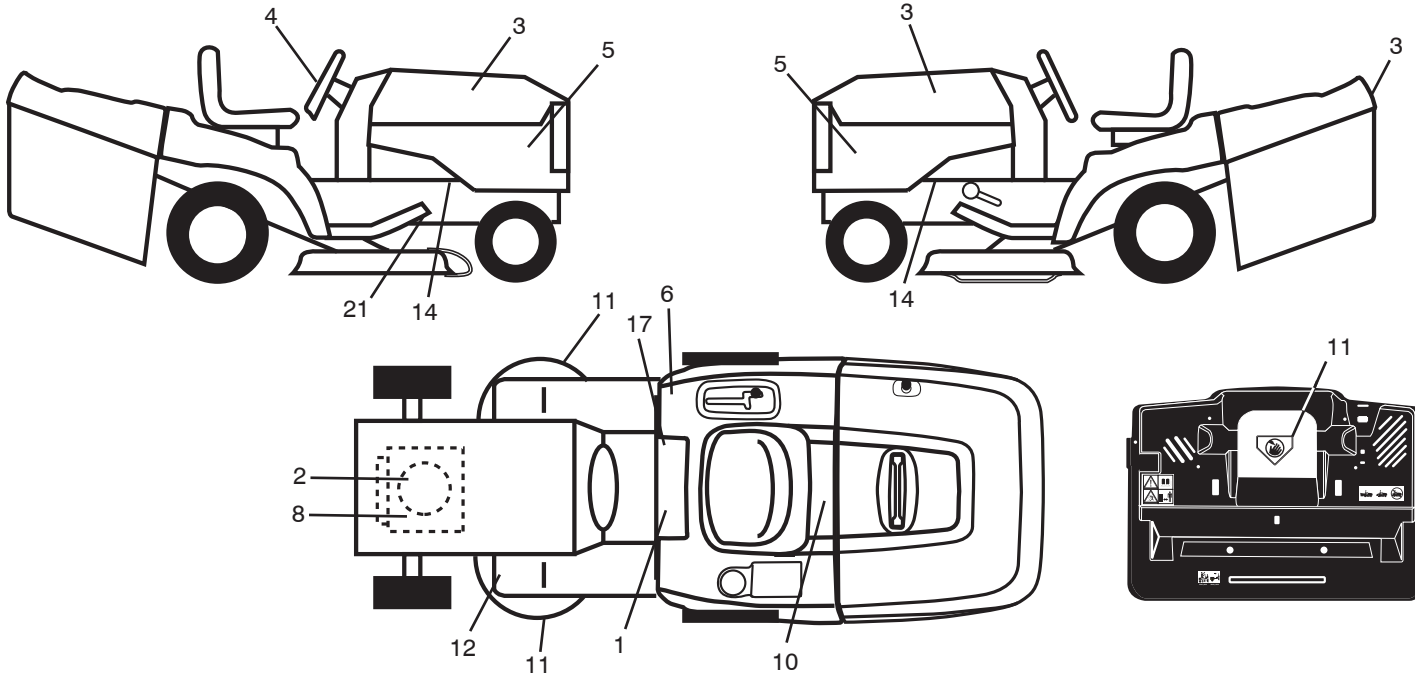
Bagger Asy (CRD)_21

KEY NO.	PART NO.	DESCRIPTION	KEY NO.	PART NO.	DESCRIPTION
1	428610	Tube Handle Bagger CRD	31	169484	Retainer Clip
3	123976X	Nut Lock 1/4 Lge Flg Gr. 5 Zinc	32	126875X	Rivet Rd Hd Drilled 3/8 Dia
4	169916	Handle Bagger	33	428683	Plug Mulcher
5	74981024	Screw Pan Head #10-24 x 1.50 Blk	34	165570	Handle Mulcher
6	74981032	Screw Pan Hd	35	165572	Pin Mulcher
7	73401000	Nut Wiz Lock Hex Serr/Hd 10-24	36	19132012	Washer 13/32 x 1-1/4 x 12 Ga.
8	435604X615	Cover Bagger Steel CRD	37	444848	Plug Support Bagger CRD
9	72140418	Bolt Carriage 1/4-20 x 2.25d x Gr. 5	38	72010520	Bolt 5/16-18 x 5.20
10	181282	Tube Support Bagger CRD	39	416257	Seal 37"
11	165719	Bracket Support Upper Bag CRD	41	432755	Bracket Vert Adj Bagger CRD
12	188848	Bracket Pivot Bagger LH CRD	43	174083	Plug Tubing End
13	74760612	Bolt Fin Hex 3/8-16 unc x 3/4	46	72110510	Bolt Carr 5/16-18 x 1-1/4 Gr. 5
14	74520636	Bolt Fin Hex 3/8-16 x 2-1/4 Gr.5	47	193704	Tube Upper
15	4939M	Retainer Spring	49	193305	Bar Spreader
16	73900600	Nut Lock Flg 3/8-16 unc	50	73800500	Nut Lock Hx w/Ins 5/16-18 unc
17	72140506	Bolt Rdhd Sht Sqnk 5/16-18 unc x 3/4	51	199903	Latch Spring
19	73900500	Nut Lock Hex Flange 5/16-18	53	73510400	Nut Keps Hex 1/4-20 unc
20	188847	Bracket Bagger RH CRD	54	72140406	Bolt RDHD SQNK 1/4-20 x 3/4 Gr. 5
21	406180	Bag Asm CRD	69	435611	Washer .125
22	428236	Bracket Side Bagger CRD	70	435603	Rivet Pop .125 x .750
24	165783	Tube Pivot Bagger CRD			
25	193705	Tube Front Bagger CRD			
28	165787	Grip Handle Black			

NOTE: All component dimensions given in U.S. inches
1 inch = 25.4 mm

TRACTOR- -MODEL NO. 917.255650

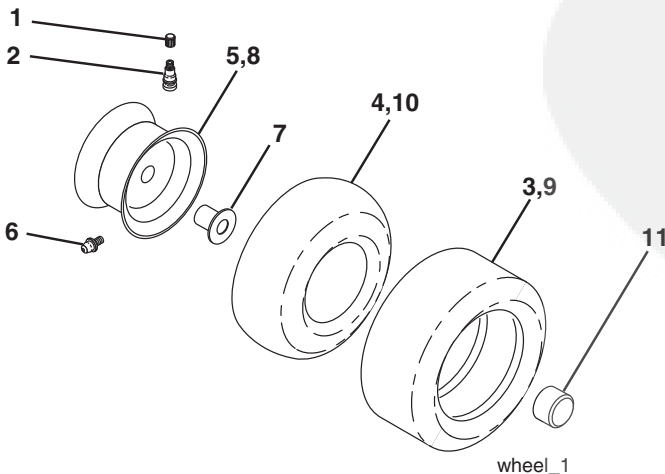
DECALS



KEY NO.	PART NO.	DESCRIPTION
1	400389	Decal Read Owner's Manual Sym
2	442545	Decal Hp Engine
3	425123	Decal Hood RH/LH
4	439525	Decal Steering Wheel
5	403415	Decal Panel Side
6	180432	Decal 100 DB/CE
8	196841	Decal Engine Warning Sym
10	145005	Decal Bat Dan/Poi P/L Sym Wpn
11	182166	Decal Mower Cut Finger Symbol
12	159737	Decal Brake/Clutch Symbol Lt
14	159736	Decal Chassis Hot Muffler
17	140837	Decal Saddle Brake Parking

KEY NO.	PART NO.	DESCRIPTION
21	166286	Decal Deck Sch
--	166960	Decal Bypass
--	138311	Decal Lift Handle
--	180435	Decal Back Plate CRD Sym
--	179768X428	Pad Footrest LH
--	179769X428	Footrest Pad RH
--	580730040	Manual Operator's (Euro)
--	580730050	Manual Operator's (Scan)
--	580730020	Manual Operator's (E-Bloc)
--	580730030	Manual Operator's (Baltic)
--	580730027	Manual Parts

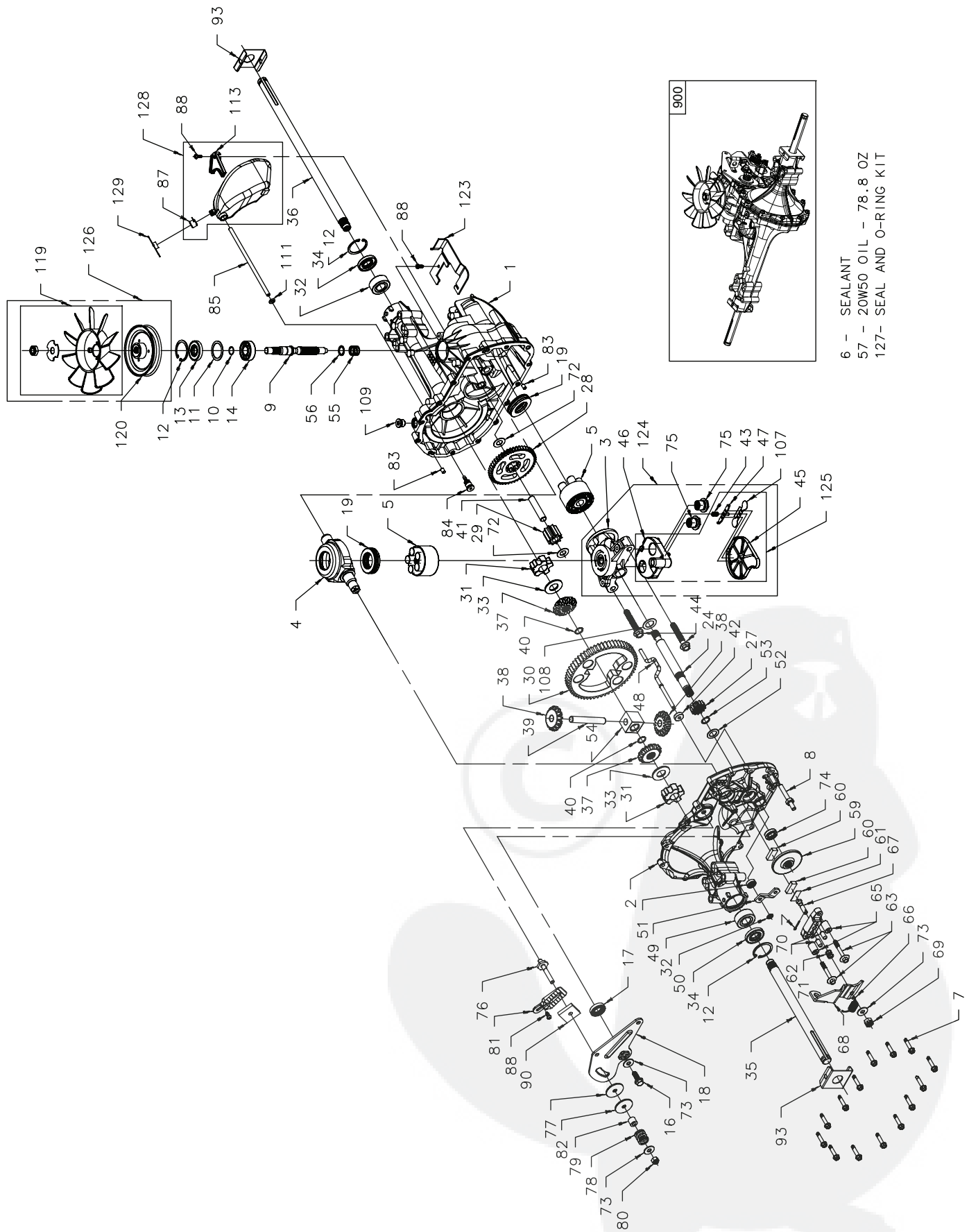
WHEELS & TIRES



KEY NO.	PART NO.	DESCRIPTION
1	59192	Cap Value Tire
2	65139	Stem Value
3	106222X	Tire F Ts 15 x 6.0 - 6 Service
4	59904	Tube Inner Front #35060
5	106732X613	Rim Asm 6" Front Service
6	278H	Fitting Grease
7	9040H	Bearing Flange
8	106108X613	Rim Asm 8" Rear Service
9	138468	Tire R Ts 20 x 8-8 Service
10	7152J	Tube Rear 9.5 x 8 Service
11	104757X428	Cap Axle Blk 1 50 x 1 00
--	144334	Sealant, Tire (10 oz. tube)

NOTE: All component dimensions given in U.S. inches
1 inch = 25.4 mm

TRACTOR- -MODEL NO. 917.255650
PEERLESS TRANSAXLE - MODEL NUMBER 321-0510



- 6 - SEALANT
- 57 - 20W50 OIL - 78.8 OZ
- 127- SEAL AND O-RING KIT

TRACTOR- -MODEL NO. 917.255650

PEERLESS TRANSAXLE - MODEL NUMBER 321-0510

KEY NO.	PART NO.	DESCRIPTION	KEY NO.	PART NO.	DESCRIPTION
1	170351	Kit, Main Housing	69	170415	Nut, Castle 5/16-24
		Main Housing, Machined	70	170416	Pin, Cotter 3/32x3/4
		Bushing .855 X .985 X .790	71	170417	Brake Spring
2	170352	Kit, Side Housing	72	170418	Washer (310-0750)
		Side Housing, Machined	73	142884	Washer, Flat
		Bushing .865 X .985 X .790	74	170419	Seal, Oil
		Bushing .624 X .719 X .562	75	170420	Ass'y Check Plug
3	170353	Kit, Center Section	76	170421	Bolt, Stud 5/16-24
		Center Section, Machined	77	170422	Puck, Friction
		Bushing .707 X .788 X .591	78	142969	Spring
4	170354	Swashplate, Trunnion Machined	79	142980	Spacer
5	169898	Kit, Cylinder Block (10cc)	80	150778	Nut, Nylon Insert Hex Lock 5/16-24
		Block - Cylinder	81	170423	Wedge, Friction
		Piston	82	170424	Clip, Washer
		Spring, Compression	83	161168	Pin
		Washer - Thrust	84	170425	Fitting, 5/16 X Sae 5/32 Tube
6	178322	Sealant Tube	85	170426	Hose, Expansion Tank
7	170356	Hexflange Screw 1/4-20 X 1.25	87	173160	Cap, Vent
8	170357	Stud, 5/16-24 Hex Double End	88	178334	Bolt, Self Tapping (BDR)
9	170358	Shaft, Input	90	170430	Puck, Inner Wedge
10	170359	Retaining Ring	91	170431	Spring Clip, Housing
11	170360	Spacer	107	170432	Deflector
12	169870	Retaining Ring	108	170433	Washer, Motor Shaft .71id X 1.15od X .03 Thick
13	170361	Seal, Lip .67 X 1.58 X .276			
14	173158	Bearing, Ball 6203 (Bdr)	109	170434	Plug, Straight Thread 9/16-18
16	170362	Hex Flange Head Screw 1/4-20 X 1.25	111	170435	O-ring .7 X .301 Id
17	170363	Seal, Lip 18 X 32 X 7	113	170437	Bracket, Support Expansion Tank
18	170364	Arm, Control	119	191031	Kit, Fan - Washer - Nut
19	173159	Bearing, Thrust (10cc)			Washer, Od Slotted .53 X 1.63 X .06
24	170366	Shaft Motor			Hex Lock Nut 1/2-20 (Nylon Insert)
27	170367	Gear, Pinion, 13t			Fan 7"
28	170368	10t / 48t Gear	120	178159	Pulley
29	170369	Gear, 10t Jackshaft	123	178160	Bracket, Belt Keeper
30	170370	60t Bullgear	124	191033	Kit, Centersection, Filter Bypass
31	170371	Sleeve Bearing .75 X 1.75 X .625			Center Section Machining
32	170389	Sleeve Bearing (Outboard) .75 X 1.575 X .625			Base Filter W/ Poppet
					Check Plug Assembly, .027 Washer
33	142991	Washer			Spring, Bypass
34	170390	Lip Seal, Axle Shaft			Actuator, Bypass
35	170391	Shaft, Axle (Keyed, R.h.)			Deflector
36	170392	Shaft, Axle (Keyed, L.h.)			Bottom, Filter
37	150792	Gear, Splined Diff. (210-1000 & 310-0750)			Bushing, .707 X .788 X .591
38	150793	Gear, Miter Diff. (210-1000 & 310-0750)	125	170445	Kit, Filter
39	150809	Differential Shaft (310-0750)			Bottom, Filter
40	170393	Retaining Ring			Base, Filter W/ Poppet
41	170394	Pin, Jackshaft			Spring, Bypass
42	170395	Magnet, Ring			Actuator, Bypass
43	170396	Spring, Bypass			Deflector
44	150797	Bolt 3/8-24 X 2-1/2	126	191029	Kit, Fan/pulley
45	170397	Filter			Hex Jam 1/20-20 (Nylon Insert)
46	170398	Base, Filter			Washer, OD Slotted, .53 X 1.53 X .06
47	170399	Actuator, Bypass			Fan, 7 In
48	170400	Rod, Bypass Actuator			Pulley
49	178156	Arm, Bypass	127	170447	Kit, Seal
50	170402	Retaining Ring .25 External			Lip Seal .67 X 1.58 X .276
51	170403	Seal, Lip .741 X .25 X .25			Lip Seal 18 X 32 X 7
52	170404	Washer, Flat 0.050" (210-1000)			Lip Seal .706 X 1.584 X .25
53	170405	Retaining Ring			Lip Seal .741 X .250 X .250 Tc
54	170406	Bearing, Center Block			Oil Seal .625 X 1.0 X .25
55	142977	Spring, Helical Compression			O-ring .07 X .301 ID
56	142978	Washer, Block Thrust	128	173165	Kit, Expansion Tank
57	-- -- --	20W-50 0 1 78.80oz			Tank, Expansion Assembly
58	142929	Kit, Brake Yoke			Cap, Vent
59	170408	Rotor, Brake			Vsbolt, Self Tapping 10-32 X 1/2
60	142883	Brake Puck			Bracket, Support Expansion Tank
--	142882	Brake Puck Plate	129	191032	Cap, Expansion Tank Shipping
62	170409	Pin, Brake Actuating	900	170061	Transaxle
63	170410	Hfhcs 1/4-20 X 2 W/patch, Special Flange			
65	170411	Spacer, Brake Torsion Spring			
66	188297	Spring, Brake Arm Bias			
67	170413	Bolt, Square Head - Brake			
68	178157	Arm, Brake			

NOTE: All Component Dimensions Given In U.S. Inches
1 Inch = 25.4 mm

TRACTOR- -MODEL NO. 917.255650

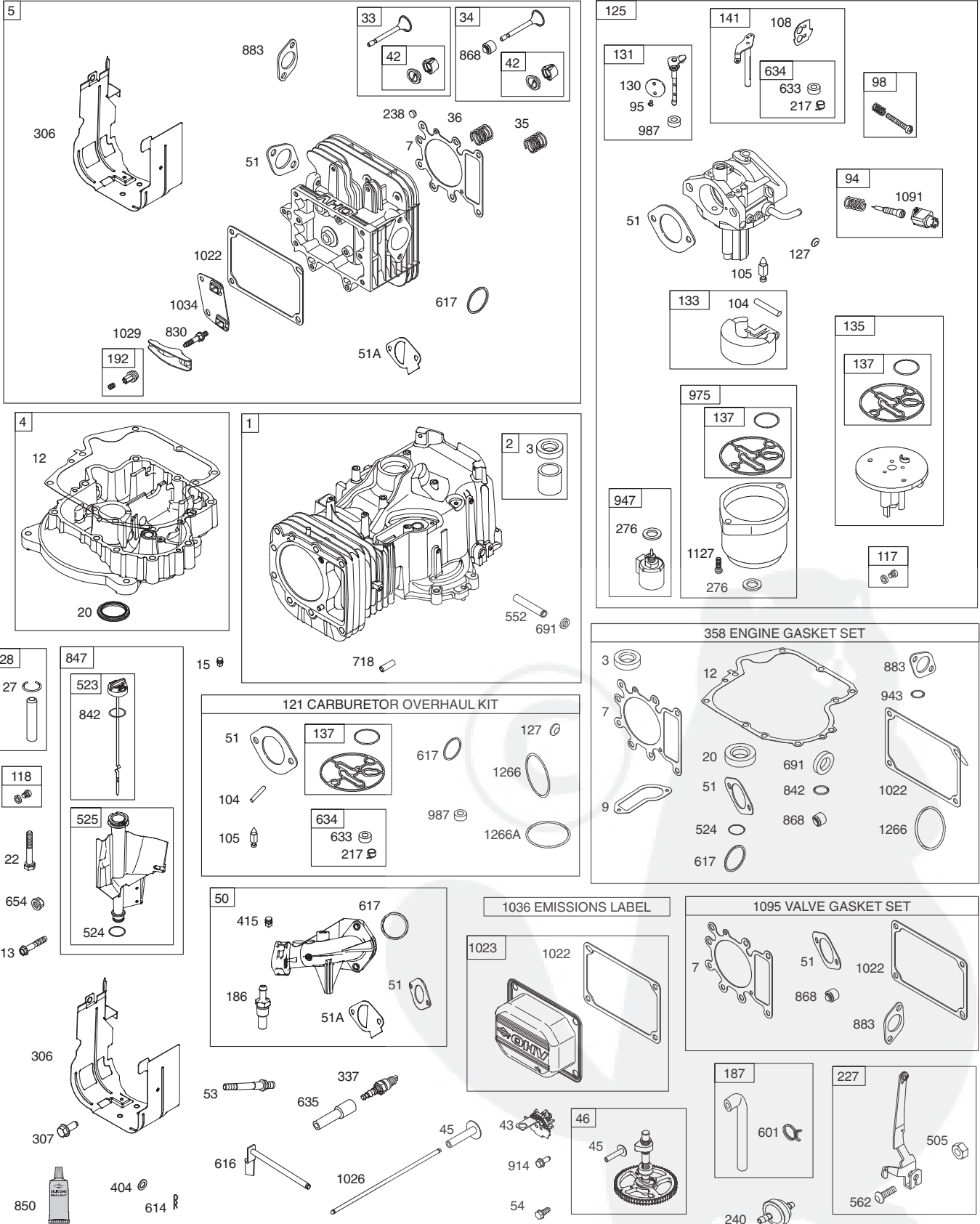
BRIGGS & STRATTON ENGINE - - MODEL NUMBER 31C707, TYPE NUMBER 2429-B1

48 SHORT BLOCK

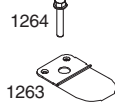
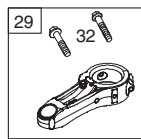
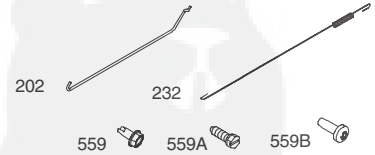
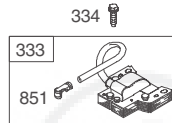
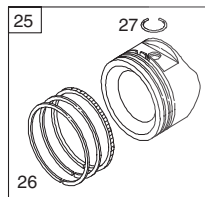
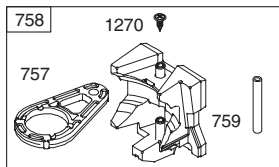
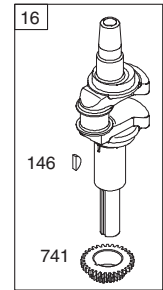
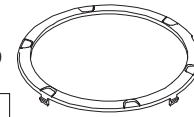
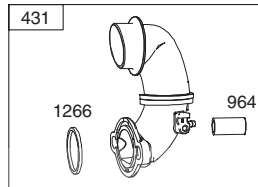
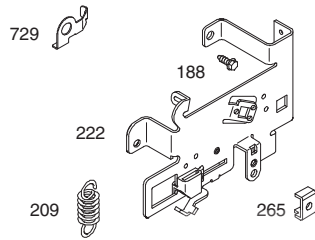
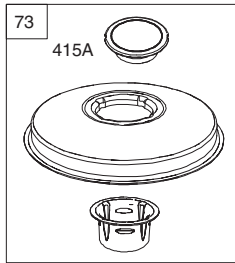
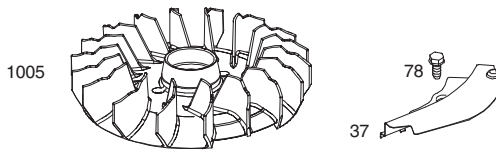
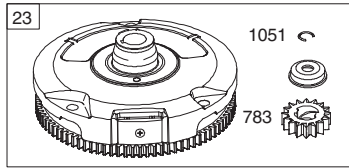
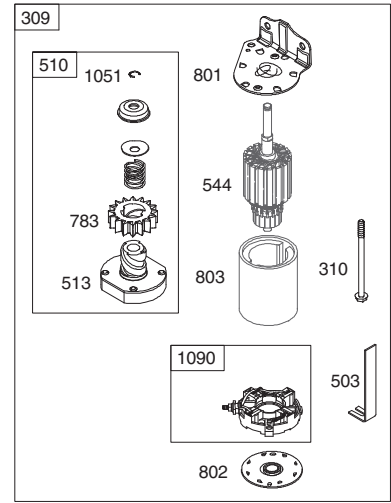
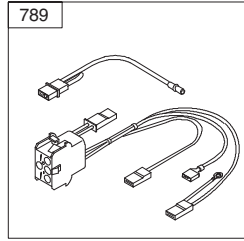
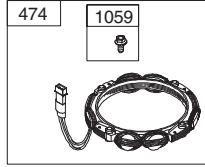
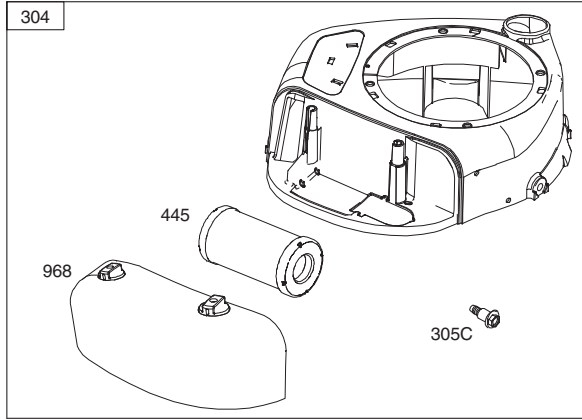
1036 EMISSIONS LABEL

1058 OPERATOR'S MANUAL

1329 REPLACEMENT ENGINE



TRACTOR- -MODEL NO. 917.255650
BRIGGS & STRATTON ENGINE - - MODEL NUMBER 31C707, TYPE NUMBER 2429-B1



TRACTOR- -MODEL NO. 917.255650

BRIGGS & STRATTON ENGINE - - MODEL NUMBER 31C707, TYPE NUMBER 2429-B1

KEY NO.	PART NO.	DESCRIPTION	KEY NO.	PART NO.	DESCRIPTION
1	793564	Cylinder Assembly	163	691001	Gasket-Air Cleaner
2	797673	Bushing/Seal Kit (Magneto Side)	186A	799158	Hose-Connector (EVAP System)
3	391086s	Seal-Oil (Magneto Side)	186B	845141	Hose-Connector (EVAP System)
4	796307	Sump-Engine	186C	795985	Hose-Connector (Intake Manifold)
5	796231	Head-Cylinder (Cylinder 1)	187	791766	Line-Fuel (Cut to Required Length)
5A	796232	Head-Cylinder (Cylinder 2)	188	697551	Screw (Control Bracket)
7	693997	Gasket-Cylinder Head	192	690083	Adjuster-Rocker Arm
8	792185	Breather Assembly	197	697820	Screw (Back Plate)
9	690937	Gasket-Breather	209	799169	Spring-Governor (Dark Blue)
10	697551	Screw (Breather Assembly)	211	691019	Spring-Governed Idle (No Color)
11	792184	Tube-Breather	212	695238	Link-Throttle
12	697227	Gasket-Crankcase	216	796229	Link-Choke
13	793988	Screw (Cylinder Head)	217	695409	Spring-Choke Return
15	690946	Plug-Oil Drain	219	793338	Gear-Governor
16	796237	Crankshaft	220	690412	Washer (Governor Gear)
20	795387	Seal-Oil (PTO Side)	221	841026	Cup-Governor
22	694966	Screw (Crankcase Cover/Sump)	222	798915	Bracket-Control
23	691053	Flywheel	227	798856	Lever-Governor Control
24	222698s	Key-Flywheel	231	690718	Screw (Choke Valve)
25	792023	Piston Assembly (Standard)	240	691035	Filter-Fuel
	792072	Piston Assembly (.020" Oversize)	250	690957	Retainer-Breather
26	792026	Ring Set (Standard)	252	794389	Collector-Oil
	792073	Ring Set (.020" Oversize)	265	691024	Clamp-Casing
27	690975	Lock-Piston Pin	267	792629	Screw (Casing Clamp)
28	696581	Pin-Piston	276	695410	Washer-Sealing
29	796209	Rod-Connecting	278	792651	Washer (Governor Control Lever)
32	690976	Screw (Connecting Rod)	287	697551	Screw (Dipstick Tube)
33	697576	Valve-Exhaust	304	797406	Housing-Blower
34	792200	Valve-Intake	305	691005	Screw (Blower Housing) (1/4-20x.68)
35	694865	Spring-Valve (Intake)			
36	694865	Spring-Valve (Exhaust)	305B	790690	Screw (Blower Housing to Intake Elbow) (#10-16x.62)
42	499586	Keeper-Valve			
45	690977	Tappet-Valve	306	798855	Shield-Cylinder (Cylinder 2)
46	792555	Camshaft	306A	796852	Shield-Cylinder (Cylinder 1)
48	698172	Short Block	307	691003	Screw (Cylinder Shield) (10-24x.43)
50	695241	Manifold-Intake	307A	697551	Screw (Cylinder Shield) (1/4-20x.66)
51	795123	Gasket-Intake	309	497595	Motor-Starter
51A	690950	Gasket-Intake	310	690323	Screw (Starter Motor)
53	690951	Stud (Carburetor)	332	691059	Nut (Flywheel)
54	699816	Screw (Intake Manifold)	333	691060	Armature-Magneto
73	494439	Screen-Rotating	334	691061	Screw (Magneto Armature)
74	698425	Screw (Rotating Screen)	337	691043	Plug-Spark
75	691056	Washer (Flywheel)	358	694012	Gasket Set-Engine
95	690718	Screw (Throttle Valve)	385	797409	Screw (Fuel Pump)
98	699721	Kit-Idle Speed	387	808656	Pump-Fuel
104	694918	Pin-Float Hinge	404	690442	Washer (Governor Crank)
105	797410	Valve-Float Needle	415	794903	Plug
108	699723	Valve-Choke	418	795912	Plate-Carburetor
117	791501	Jet-Main (Standard) (Left Jet)	431	798859	Elbow-Intake
117A	791502	Jet-Main (Standard) (Right Jet)	445	499486	Filter-Air Cleaner Cartridge
118	695415	Jet-Main (High Altitude) (Left Jet)	467	691008	Knob-Air Cleaner
118A	843099	Jet-Main (High Altitude) (Right Jet)	474	696458	Alternator
121	797890	Kit-Carburetor Overhaul	501	797375	Regulator
125	796258	Carburetor	505	691029	Nut (Governor Control Lever)
130	690993	Valve-Throttle	510	696541	Drive-Starter
131	499805	Kit-Throttle Shaft	513	692024	Clutch-Drive
133	699724	Float-Carburetor	523	691036	Dipstick
135	699729	Tube-Fuel Transfer	524	691032	Seal-Dipstick Tube
137	690994	Gasket-Float Bowl	525	691037	Tube-Dipstick
141	796228	Kit-Choke Shaft	526	697551	Screw (Regulator)
142	699726	Nozzle-Carburetor	552	796638	Bushing-Governor Crank
146	690979	Key-Timing	552A	690553	Bushing-Governor Crank
150	690995	Gasket-Nozzle			

TRACTOR- -MODEL NO. 917.255650

BRIGGS & STRATTON ENGINE - - MODEL NUMBER 31C707, TYPE NUMBER 2429-B1

KEY NO.	PART NO.	DESCRIPTION	KEY NO.	PART NO.	DESCRIPTION
562	690311	Screw (Governor Control Lever)	1051	691265	Ring-Retaining
573	790444	Plate-Back	1054	280275	Tie-Cable
601	691038	Hose-Clamp (Black)	1058	278776TRI	Operator's Manual
615	698290	Retainer-Governor Shaft	1059	698516	Kit-Screw/Washer
616	691045	Crank-Governor	1070	791680	Screw (Flywheel Fan)
617	697891	Seal-O Ring (Intake Manifold) (Red)	1090	691293	Retainer-Brush
633	699813	Seal-Choke/Throttle Shaft (Choke Shaft)	1095	694013	Gasket Set-Valve
634	698779	Spring/Seal Assembly	1100	791959	Pivot-Rocker Arm
635	66538s	Boot-Spark Plug	1119	691183	Screw (Alternator)
654	690958	Nut (Carburetor)	1124	690988	Seal-O Ring (Fuel Transfer Tube)
668	691215	Spacer (Rotating Screen)	1124A	841653	Seal-O Ring (Fuel Transfer Tube)
668A	691500	Spacer (Rotating Screen)	1126	690991	Screw (Fuel Transfer Tube)
672	690234	Gasket-Carburetor Plate	1127	695407	Screw (Float Bowl)
691	790574	Seal-Governor Shaft	1128	690990	Screw (Carburetor Nozzle)
697	690372	Screw (Drive Cap)	1169	690990	Screw (Carburetor Cover Plate)
703	691010	Clip	1329	44Q777	Replacement Engine
718	690959	Pin-Locating		-3137-G5	
729	797454	Clip-Wire	1330	273521	Repair Manual
741	690980	Gear-Timing			
742	690328	Retainer-E Ring			
750	796208	Screw (Oil Pump Cover)			
783	695708	Gear-Pinion			
789	797424	Harness-Wiring			
798	697890	Screw (Rocker Arm)			
801	691283	Cap-Drive			
802	691286	Cap-End			
842	691031	Seal-O Ring (Dipstick)			
847	499602	Dipstick/Tube Assembly			
850	100106	Sealant-Liquid			
851	493880s	Terminal-Spark Plug			
865A	691015	Cover-Air Guide (Valley)			
868	690968	Seal-Valve			
883	690970	Gasket-Exhaust			
914	691127	Screw (Rocker Cover)			
918	797408	Hose-Vacuum			
918A	799160	Hose-Vacuum (EVAP System)			
943	796222	Seal-O Ring (Oil Pump Cover)			
947	798779	Solenoid-Fuel			
964	799159	Cap-Connector			
965	796221	Cover-Oil Pump			
967	273638s	Filter-Pre Cleaner			
968	791242	Cover-Air Cleaner			
975	798778	Bowl-Fuel			
987	691000	Seal-Throttle Shaft			
1005	791236	Fan-Flywheel			
1012	797926	Retainer-Link			
1013	690954	Nipple-Oil Filter			
1017	796214	Screen-Oil Pump			
1022	690971	Gasket-Rocker Cover			
1023	793146	Cover-Rocker (Cylinder 1)			
1023A	499600	Cover-Rocker (Cylinder 2)			
1024	796220	Pump-Oil			
1026	690981	Rod-Push (Steel) (Exhaust)			
1026A	690982	Rod-Push (Aluminum) (Intake)			
1027	492932s	Filter-Oil			
1029	690972	Arm-Rocker			
1036		Label-Emissions (Available from a Briggs & Stratton Authorized Dealer)			
1040	791237	Plate-Trim			

Engine Gasket Set	Key No. 358
Valve Gasket Set	Key No. 1095
Carburetor Overhaul Kit	Key No. 121

NOTE: All component dimensions given in U.S. inches
1 inch = 25.4 mm



SERVICE NOTES



SERVICE NOTES



LIMITED WARRANTY ON CRAFTSMAN RIDING EQUIPMENT

For two (2) years from the date of purchase, if this Craftsman Riding Equipment is maintained, lubricated and tuned up according to the instructions in the owner's manual, Sears will repair or replace free of charge any parts that are found to be defective in material or workmanship according to the guidelines of coverage listed below. Sears will also provide free labor for these applicable warranted parts for the two full years. During the first 30 days of purchase, there will be no charges to service the product at your home for issues covered by this warranty. (See exclusions below). For your convenience, IN HOME warranty service will still be available after the first 30 days of purchase, but a trip charge will apply. This charge will be waived if the Craftsman product is dropped off at an authorized Sears location. For the nearest authorized Sears location, please call 1-800-4-MY-HOME®. This warranty applies only while this product is within the United States.

This Warranty does not cover:

- Expendable items which become worn during normal use, including but not limited to blades, spark plugs, air cleaners, belts, and oil filters.
- Standard Maintenance Servicing, oil changes, or tune-ups
- Tire replacement or repair caused by punctures from outside objects, such as nails, thorns, stumps, or glass.
- Repairs necessary because of operator abuse, including but not limited to, damage caused by towing objects beyond the capability of the riding equipment, impacting objects that bend the frame or crankshaft, or over-speeding the engine.
- Repairs necessary because of operator negligence, including but not limited to, electrical and mechanical damage caused by improper storage, failure to use the proper grade and amount of engine oil, failure to keep the deck clear of flammable debris, or failure to maintain the equipment according to the instructions contained in the owner's manual.
- Engine (fuel system) cleaning or repairs caused by fuel determined to be contaminated or oxidized (stale). In general, fuel should be used within 30 days of its purchase date.
- Normal deterioration and wear of the exterior finishes, or product label replacement.
- Riding equipment used for commercial or rental purposes.

LIMITED WARRANTY ON BATTERY

For ninety (90) days from date of purchase, if any battery included with this riding equipment proves defective in material or workmanship and our testing determines the battery will not hold a charge, Sears will replace the battery at no charge. During the first 30 days of purchase, there will be no charges to replace the battery at your HOME. After the first 30 days, for your convenience, IN-HOME warranty service will still be available but a trip charge will apply. This charge will be waived if the Craftsman product is dropped off at an authorized Sears location. For the nearest authorized Sears location, please call 1-800-4-MY-HOME®.

This battery warranty applies only while this product is within the United States.

This warranty gives you specific legal rights, and you may also have other rights, which vary, from state to state.

Sears Brands Management Corporation, Dept.817WA, Hoffman Estates, IL 60179

