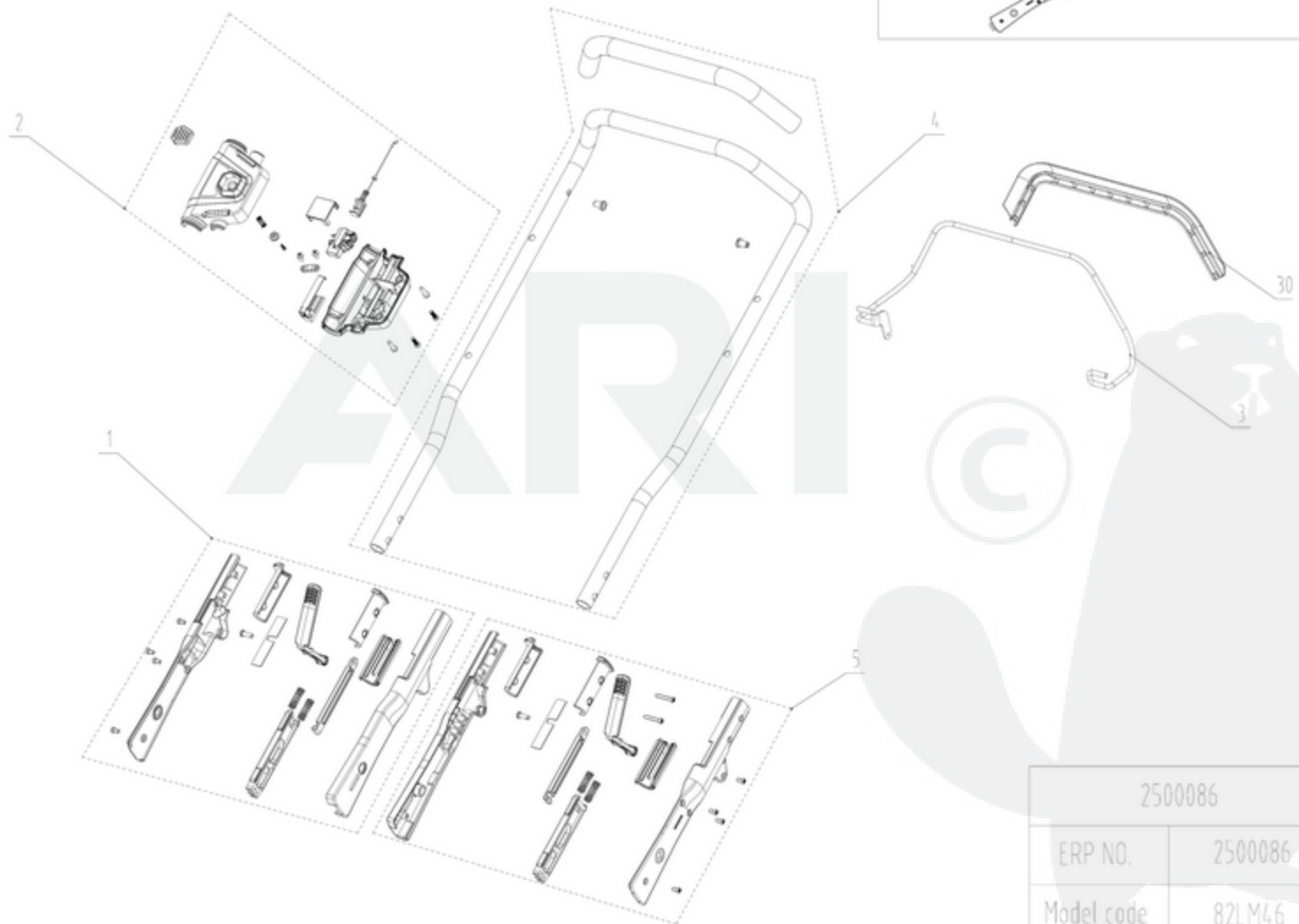


2500086	
ERP NC.	7500085
Model code	82L M/6

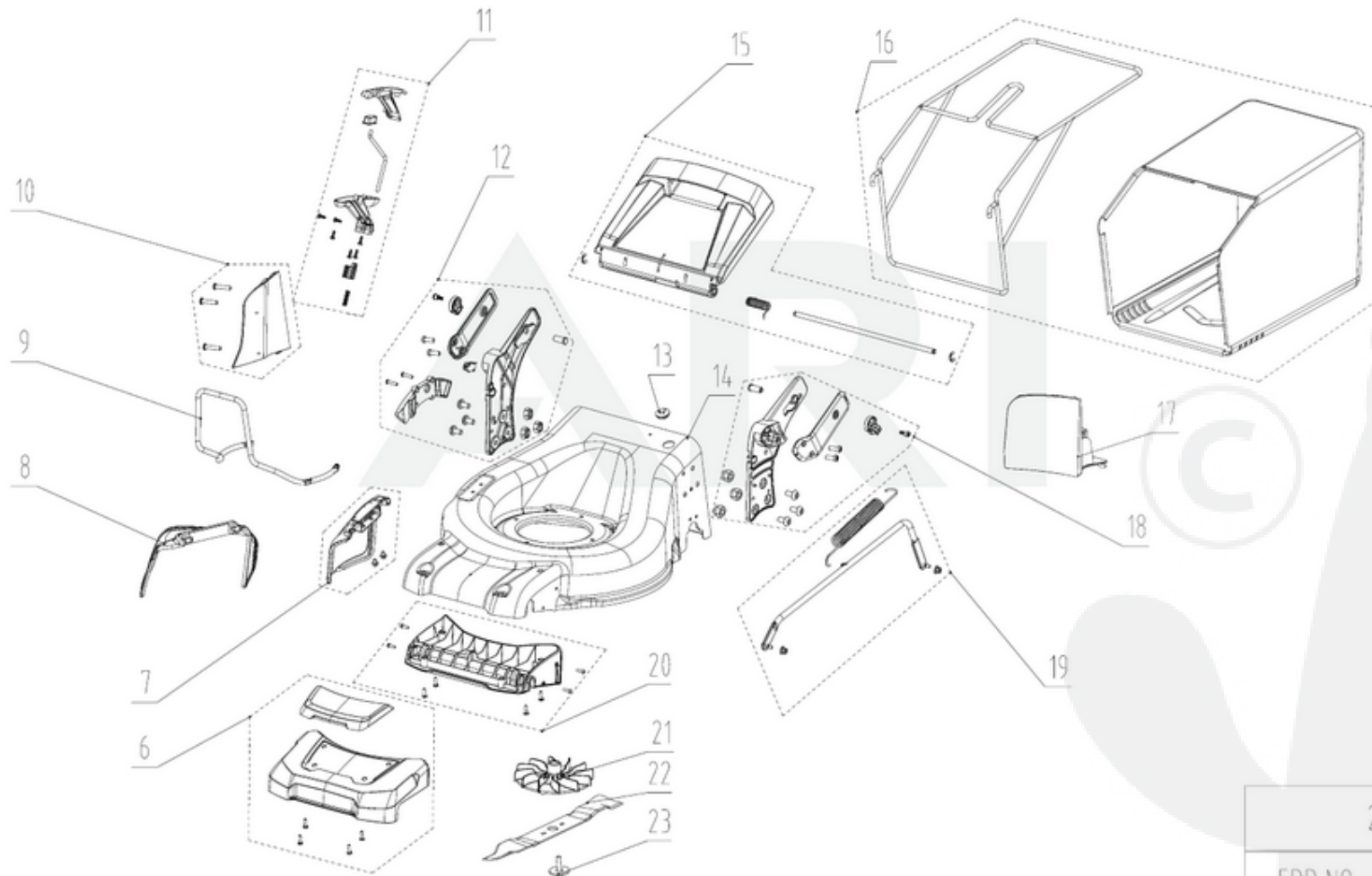
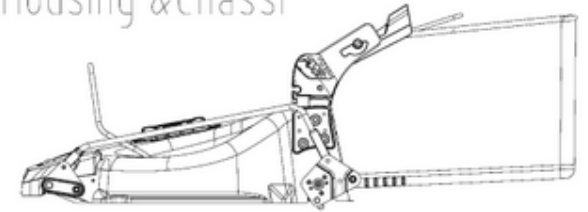
Handle



2500086	
ERP NO.	2500086
Model code	82LM46

Ref	Part #	Description	Quantity	
1	RA311112375	New folding push rod fixed assembly(right)	1	SET
		Bolt M5x10	4	
		Bolt	2	
		Shaft spring ring f6	1	
		Push rod fixed support 1(right)	1	
		Push rod fixed support 2(right)	1	
		Handle	1	
		Slider connecting rod	1	
		Limited tooth slider	1	
		Spring	2	
		Slide piece	1	
		Connecting pin	1	
		Insulating sleeve left shell	1	
		Insulating sleeve right shell	1	
		Pressing handle	1	
2	RA341051530	Switch box assembly	1	SET
		Heat shrinkable tube	1	10 cms
		Wire(yellow)	1	5 cms
		Start cable	1	
		Screw	1	
		Screw ST4.2*25-F	2	
		Screw ST4.2*20-C	2	
		Screw ST4*16-F	2	
		kobalt slider	1	
		Shaft	1	
		Spring	1	
		Connect plate	1	
		Spring	1	
		Spring	1	
		Switch box Top cover	1	
		Switch box Bottom cover	1	
		Spring seat	1	
		Inner wire-pressing plate	1	
		Sliding block	1	
		Button	1	
		Switch box insert	1	
		Indenter	1	
		Switch	1	
		Wire	1	
3	RA333112378	Lower rod NEW (2018/12)	1	SET
4	RA333112377	Handle-rod assembly	1	SET
		Handle-rod	1	
		Rubber handle	1	
		Rod sleeve	2	
5	RA311122375	New folding push rod fixed assembly(left)	1	SET
		Bolt M5x10	4	
		Bolt	2	
		Axial Spring Collarf6	1	
		Push rod fixed support 1(left)	1	
		Push rod fixed support 2(left)	1	
		Handle	1	
		Slider connecting rod	1	
		Limited tooth slider	1	
		Spring	2	
		Slide piece	1	
		Connecting pin	1	
		Insulating sleeve left shell	1	
		Insulating sleeve right shell	1	
		Pressing handle	1	
30	RA341272378	Lower rod cover NEW (2018/12)	1	SET

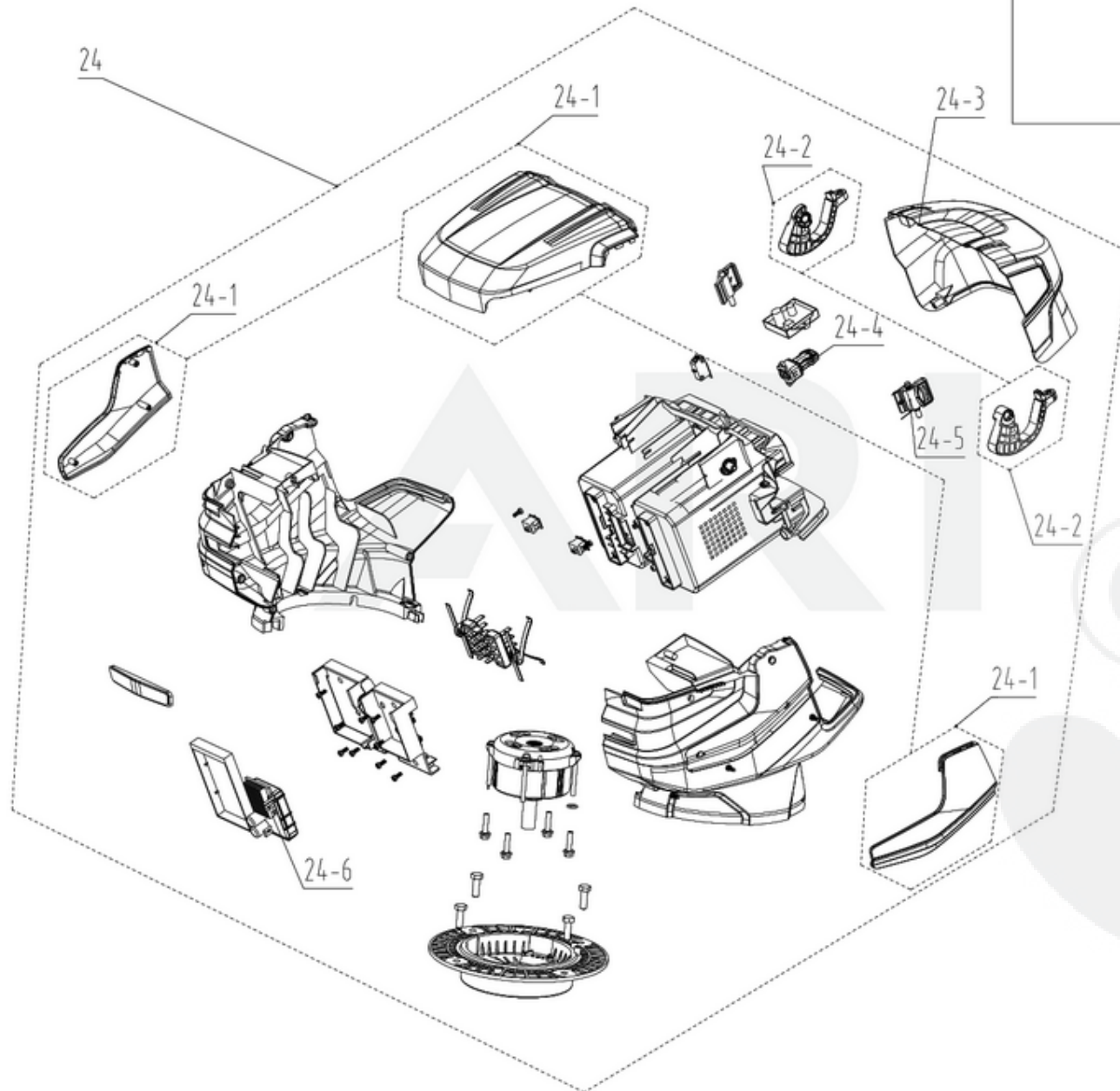
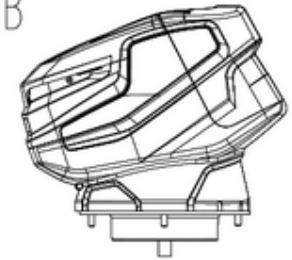
# Housing & Chassi



	2500086
ERP NO.	2500086
Model code	82LM46

Ref #	Part #	Description	Qty	Context Note	Cost	MSRP
6	RA341061511D	Bumper assembly	1	SET		
		Screw ST4.2*12-F	4			
		Bumper	1			
		Bumper Decorative cover	1			
7	RA311041511	Side discharge cover assembly	1	SET		
		Bolt M6X8	2			
		Side Bracket	1			
		Side shaft	1			
		Side spring	1			
		Side cover	1			
		Rubber sleeve	2			
8	RA341031511	Side row openings	1	SET		
9	RA333072378	Power head protect bracket	1	SET		
		Power head protect bracket	1			
		Bolt M6*20	4			
		Self-locking nut	4			
10	RA341212378	19 inch Air guide plate	1	SET		
		19 inch Air guide plate	1			
		Cross disc self tapping screw	2			
		Screw ST5.5x16-F	1			
		Height adjustment handle assembly	1			
11	RA341252378	Height adjustment handle up shell	1	SET		
		Height adjustment handle bottom shell	1			
		Height adjustment button	1			
		Height adjustment grade slide block	1			
		Reset Spring	1			
		Screw ST4.2x16-F	6			
		Handle rod	1			
12	RA331092375	Right height adjustment bracket assembly	1	SET		
		Right height adjustment bracket cover	1			
		Right height adjustment bracket	1			
		Height adjustment grade plate	1			
		Bolt M10*20	3			
		Lock nut M10	3			
		Mechanical inverted switch assembly	1			
		Screw ST5.5x25-F	2			
		Shaft bolt	1			
		Step bolt	2			
		Power line hook	1			
		Screw ST5.5x25-F	2			
		Bolt M5x15	2			
13	RA341032322	Rubber stopper	1	SET		
14	RA333022377	19 inch iron shell	1	SET		
15	RA341011541AC	Rear cover assembly	1	SET		
		Rear cover	1			
		Rear cover shaft	1			
		Rear cover spring	1			
		Split washer8	2			
16	RA349012378	Grass gathering bag assembly	1	SET		
		Grass gathering bag frame	1			
		Grass gathering bag	1			
17	RA341021541AB	Rear block	1	SET		
18	RA331102375	Left height adjustment bracket assembly	1	SET		
		Left height adjustment bracket	1			
		Left height adjustment bracket cover	1			
		Semicircle head bolt M10*20	3			
		Lock nut M10	3			
		Shaft bolt	1			
		Step bolt	2			
		Power line hook	1			
19	RA311252378	Height adjustment assembly	1	SET		
		Lock nut M6	2			
		Height adjustment spring	1			
		Height adjustment rod	1			
20	RA341072378	Front panel	1	SET		
		Front panel	1			
		Screw ST 5*16	4			
		Screw ST4.2*20-C	4			
21	RA341191179E	Fan assembly	1	SET		
22	RA333022330	19 inch blade	1	SET		
23	RA311222378	Hexagon headed bolt	1	SET		
		Hexagon headed bolt	1			
		Bottom plate	1			

Motor&PCB

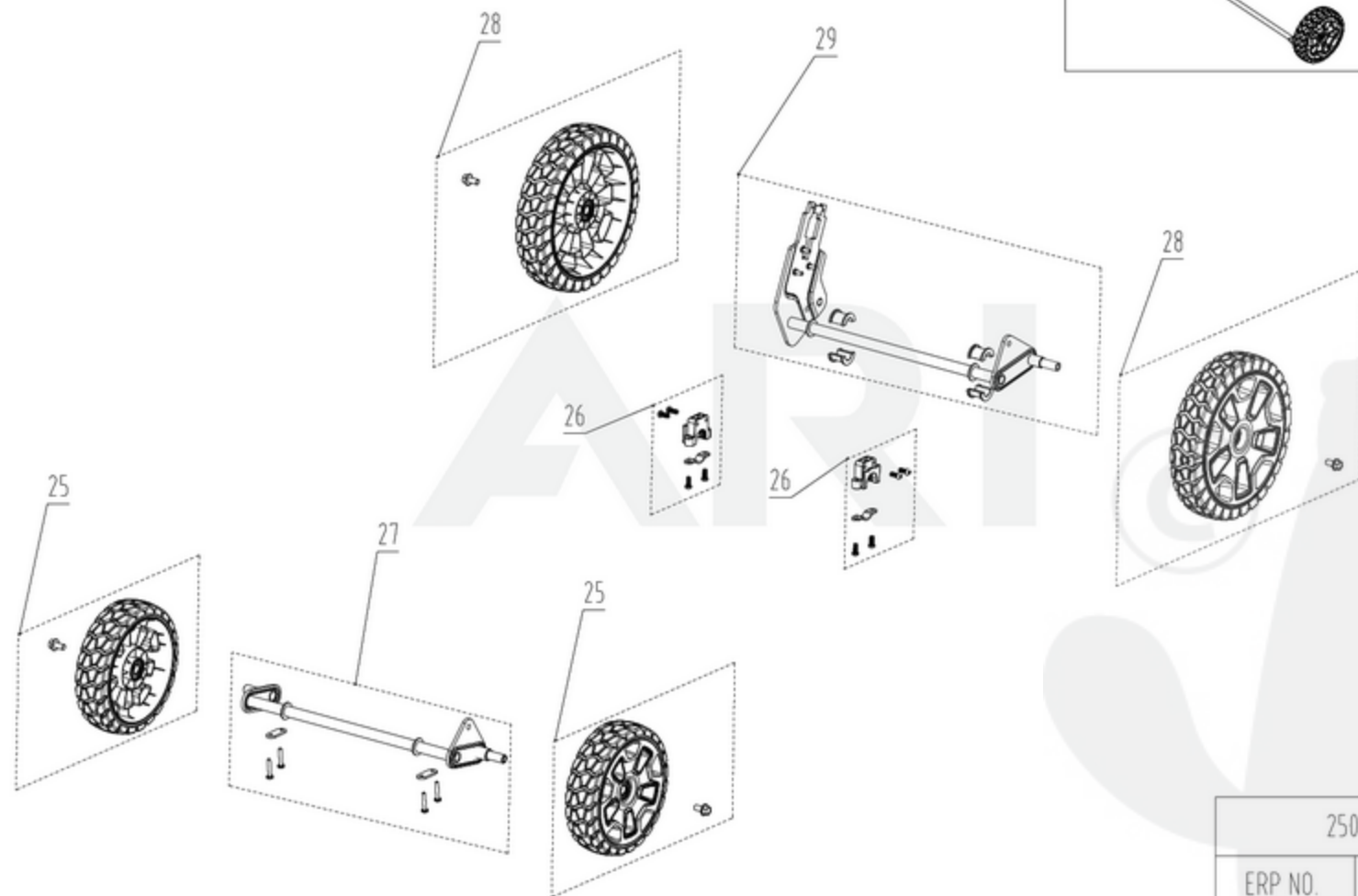


2500086	
ERP NO.	2500086
Model code	82LM46

Ref #	Part #	Description	Qty	Context Note
25	RA341281179K	8" wheel assembly	1	SET
		8" wheel assembly	2	
		Bolt M8X16	1	
26	RA339052378	Rear wheel axle permanent seat	2	SET
		Rear wheel axle permanent seat	1	
		Rear wheel axle pressplate	1	
		Bolt M6x15	4	
27	RA339022378	19 inch front axle	1	SET
		19 inch front axle	1	
		Wheel axle press plate	2	
		Screw ST4.2*20-C	4	
28	RA341602376BA	10" wheel assembly NEW (2018/12)	1	SET
		10" wheel assembly	1	
		Bolt M8X16	1	
29	RA339082378	Back wheel axle assembly	1	SET
		19 inch rear axle	1	
		Rear axle sleeve	4	



## Wheels & Transmisson



2500086	
ERP NO.	2500086
Model code	82LM46



Ref #	Part #	Description	Qty	Context Note
25	RA341281179K	8" wheel assembly	1	SET
		8" wheel assembly	2	
		Bolt M8X16	1	
26	RA339052378	Rear wheel axle permanent seat	2	SET
		Rear wheel axle permanent seat	1	
		Rear wheel axle pressplate	1	
		Bolt M6x15	4	
27	RA339022378	19 inch front axle	1	SET
		19 inch front axle	1	
		Wheel axle press plate	2	
		Screw ST4.2*20-C	4	
28	RA341602376BA	10" wheel assembly NEW (2018/12)	1	SET
		10" wheel assembly	1	
		Bolt M8X16	1	
29	RA339082378	Back wheel axle assembly	1	SET
		19 inch rear axle	1	
		Rear axle sleeve	4	

