

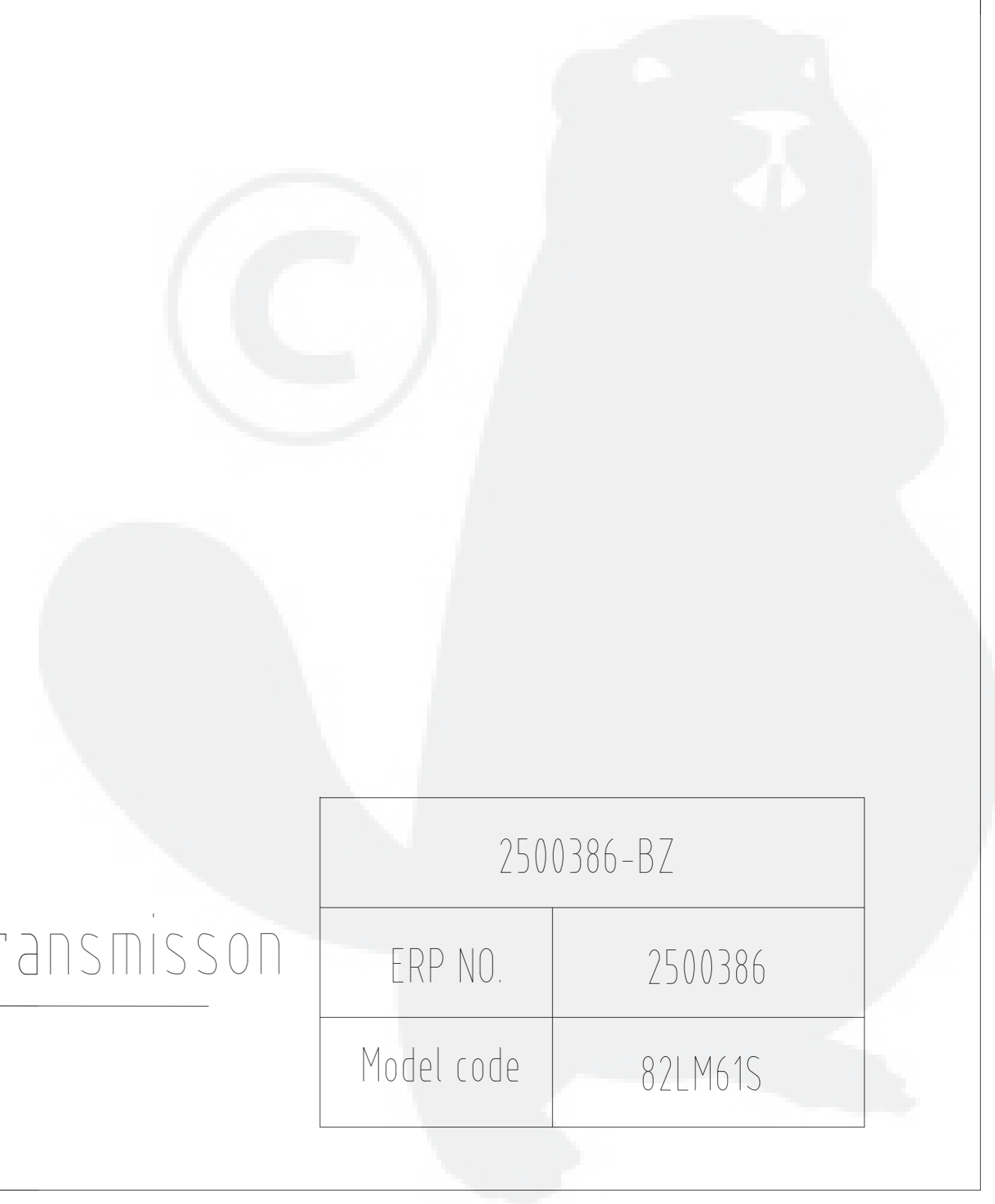
Handle

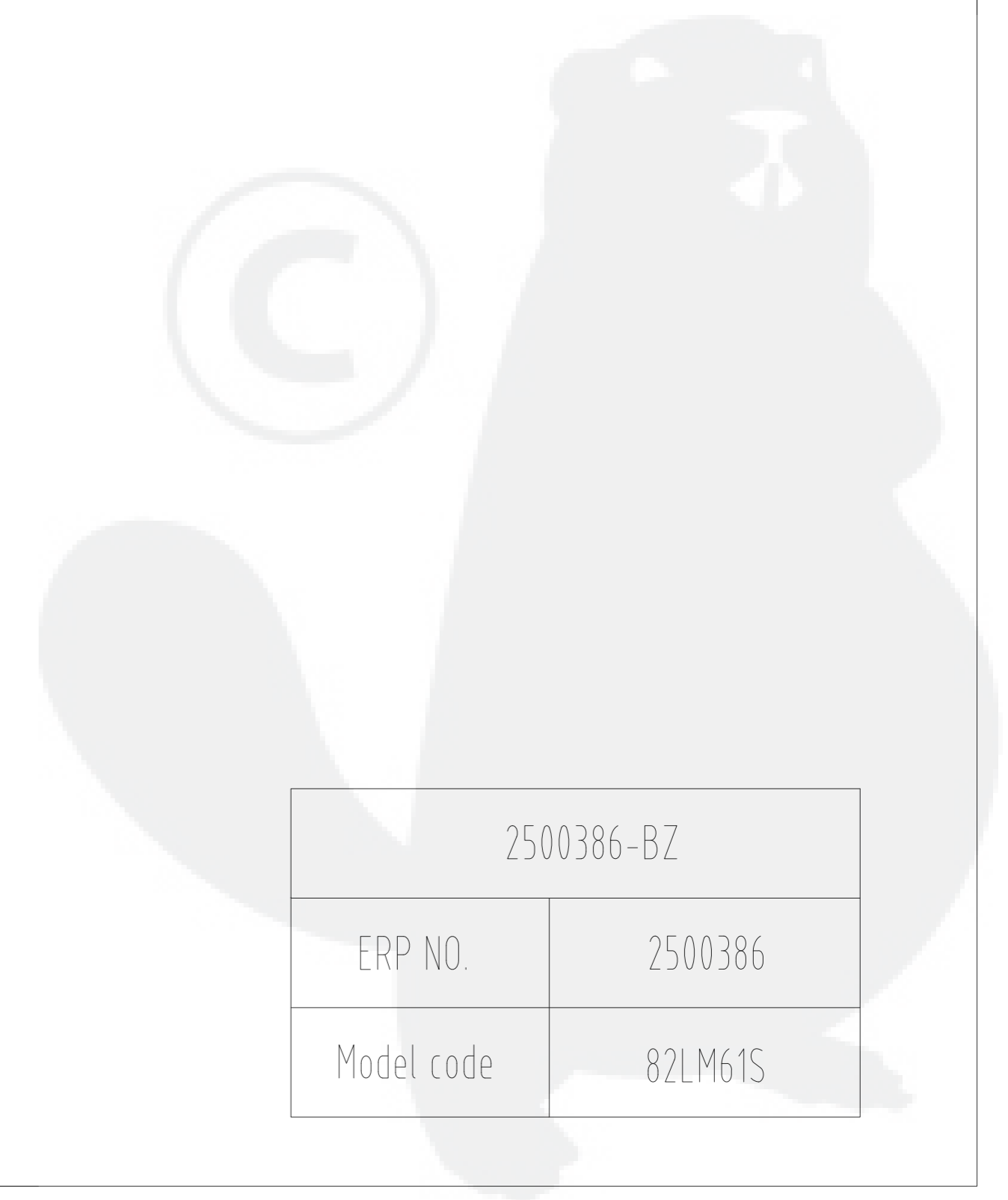
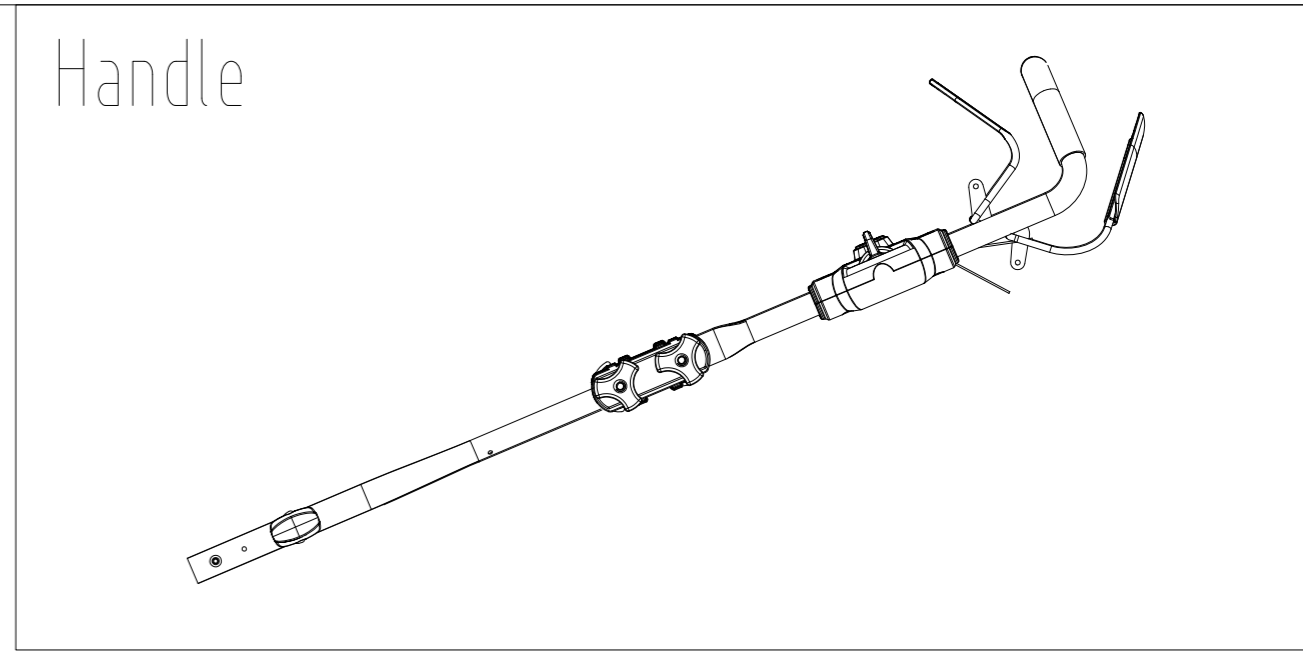
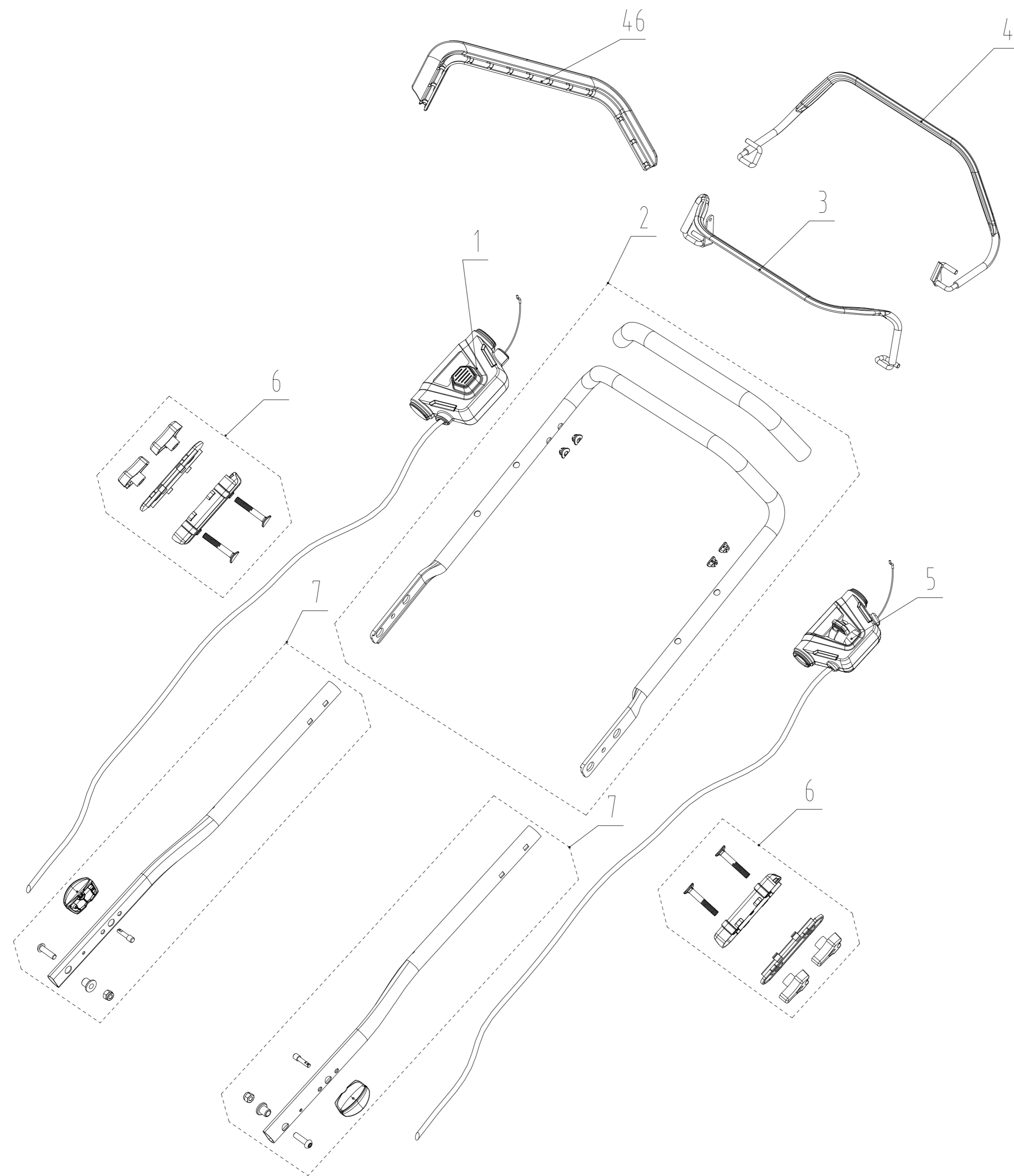
Motor&PCB

Housing & Chassi

Wheels&Transmisson

2500386-BZ	
ERP NO.	2500386
Model code	82LM61S





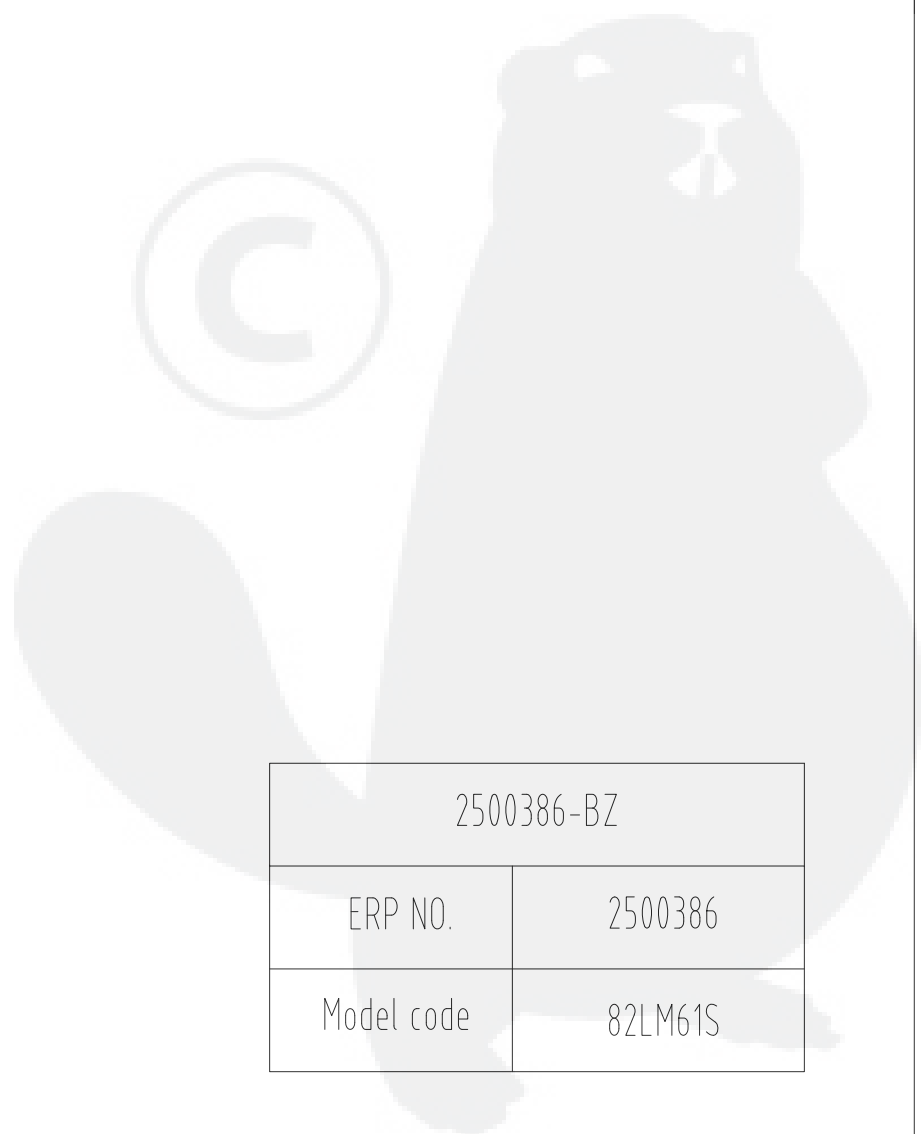
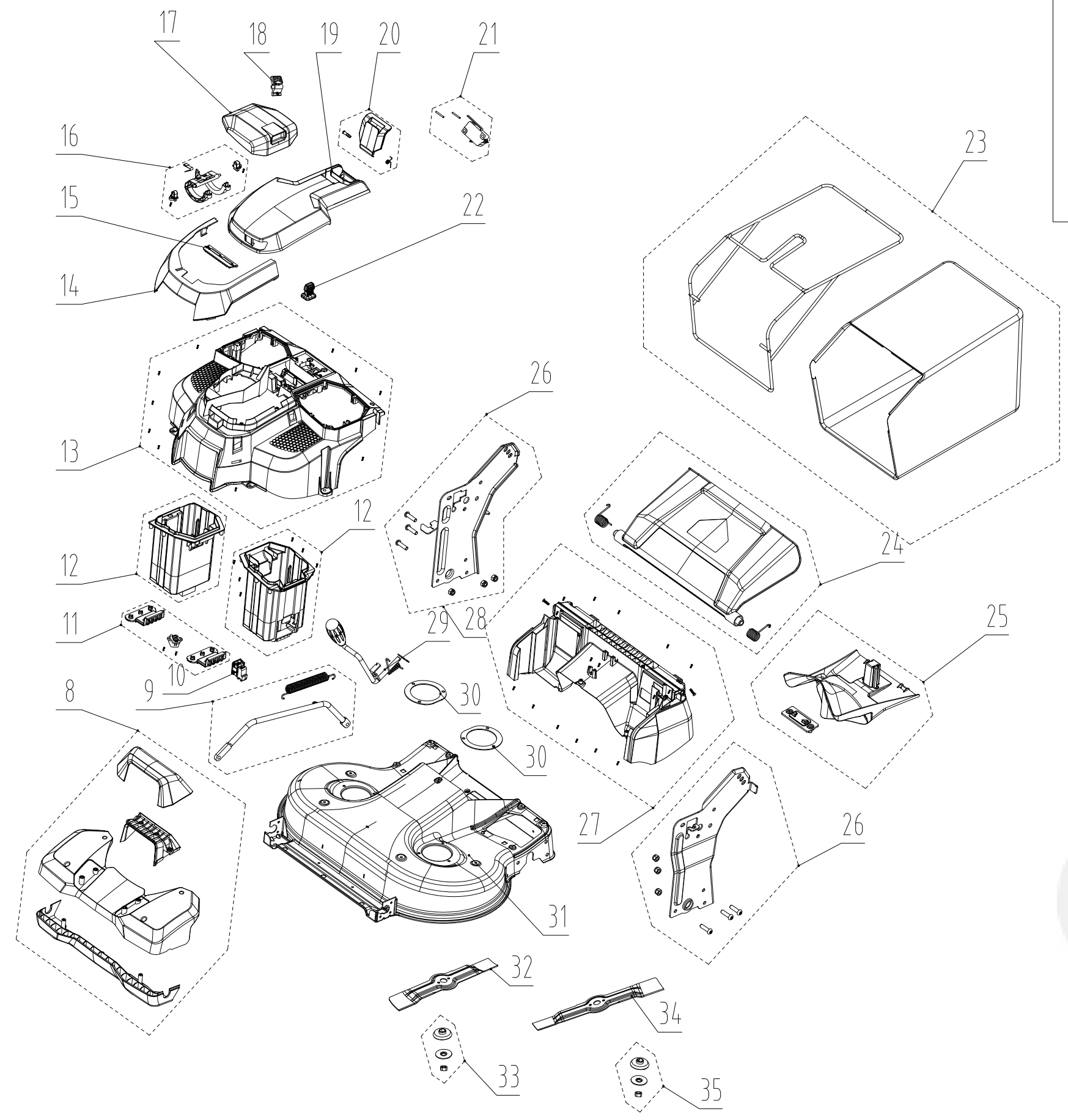
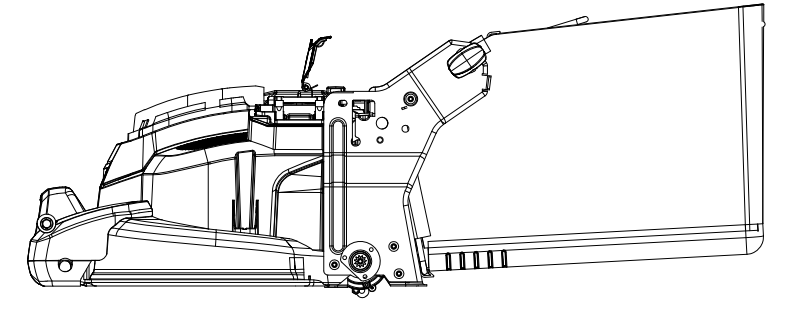
2500386-BZ	
ERP NO.	2500386
Model code	82LM61S

Ref #	Part #	Description	Qty	Context	Note	Cost	MSRP
1	RA311092376A	Switch box assembly	1	SET			
		Wire(yellow)	1	8cm			
		Start cable	1				
		Screw	1				
		Screw ST4.2*25-F	2				
		Screw ST4.2*20-C	2				
		Screw ST4*16-F	2				
		kobalt slider	1				
		Shaft	1				
		Spring	1				
		Connect plate	1				
		Spring	1				
		Spring	1				
		Switch box Top cover	1				
		Switch box Bottom cover	1				
		Spring seat	1				
		Inner wire-pressing plate	1				
		Sliding block	1				
		Button	1				
		Switch box insert	1				
		Indenter	1				
		Switch	1				
		Wire	1				
2	RA333242376	Upper handle-rod assembly	1	SET			
		Upper handle-rod	1				
		Tubber handle	1				
		Rod sleeve	4				
3	RA333102378	Upper rod NEW (2018/12)	1	SET			
4	RA333112378	Lower rod NEW (2018/12)	1	SET			
5	RA311112376A	Speed-control switch box assembly	1	SET			
		Start cable	1				
		Screw ST4.2*25-F	2				
		Screw ST4.2*20-C	2				
		Screw ST4*16-F	3				
		Locating pin	2				
		Spring	1				
		Push button	1				
		Bottom switch box	1				
		Up switch box	1				
		Inner wire-pressing plate	1				
		Big Speed-control gear	1				

Ref #	Part #	Description	Qty	Context	Note	Cost	MSRP
		Small Speed-control gear	1				
		Sliding block	1				
		Heat shrink tube	5				
		Potentiometer plate	1				
		Micro switch	1				
		Wire	1				
6	RA341031530V	Fixed box assembly	2	SET			
		Fixed box housing	1				
		Housing cover	1				
		Handle-rod knob	2				
		Handle-rod bolt	2				
7	RA311272376	Lower handle-rod assembly	2	SET			
		Hexagonal socket cup head bolt M8X35	1				
		Lock nut M8	1				
		Flat washer M8 (8.4-16-1.6)	1				
		Handle-rod stop post holder	1				
		Handle-rod stop post	1				
		Spring pin	1				
		Lower handle-rod pad block	1				
		Lower handle-rod	1				
		Knob compression spring	1				
		Knob	1				
		POM washer	1				
		Plug	1				
			1				
46	RA341272378	Lower rod cover NEW (2018/12)	1	SET			



Housing & Chassi



2500386-BZ	
ERP NO.	2500386
Model code	82LM61S

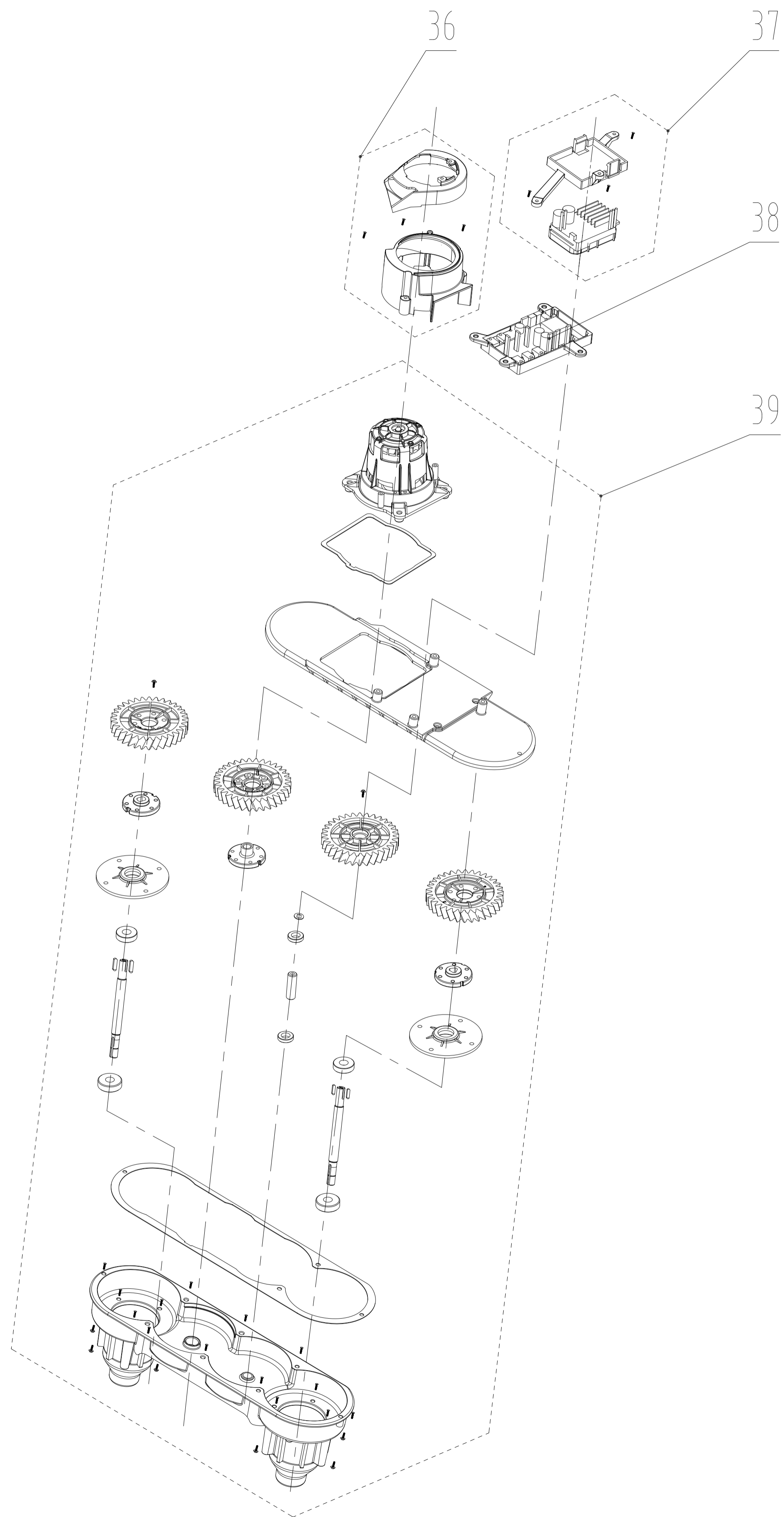
Ref #	Part #	Description	Qty	Context	Note	Cost	MSRP
8	RA311082376B	Bumper assembly	1	SET			
		Screw ST4*16-F	2				
		Bumper up cover	1				
		Bumper low cover	1				
		Bumper up handle	1				
		Bumper low handle	1				
		Screw ST4.2X20-C	9				
		Screw M5×15	2				
9	RA333172376B	Rod assembly	1	SET			
		Rod	1				
		Height adjustment spring	1				
		Spring guard	1				
		Lock nut M6	2				
10	RA312011560A	Mechanical vertical switch assembly	1	SET			
		Screw	2				
		Vertical shaft	1				
		Vertical spring	1				
		Vertical switch left housing	1				
		Vertical switch right housing	1				
		Vertical switch trigger	1				
		Micro switch	1				
		Vertical signal wire	1				
11	RA341101075	Key holder assembly spare part	1	SET			
		Battery pack insert holder	2				
		Double-Battery pack Key holder	1				
		Double-Battery pack Key holder pressing plate	1				
		Screw ST4.2*12-F	2				
		Wire(14AWG black)	44				
		Wire(14AWG red)	55				
		Wire(yellow)	43				
		Wire(14AWG blue)	53.5				
		Wire(14AWG white)	52.5				
		Wire(green)	57.5				
		2PIN Plug	1				
		1PIN Plug	1				
		2PIN Plug	1				
1PIN Plug	1						
	3						

Ref #	Part #	Description	Qty	Context	Note	Cost	MSRP
		Wire connector female terminal					
		Wire connector male terminal	3				
		Battery pack spring	6				
		Key female insert piece	4				
12	RA341322376BA	Battery chamber assembly	2	SET			
		Screw ST4.2X14-C	6				
		82V Battery chamber	1				
13	RA341302376B	Large cover shell assembly	1	SET			
		Double package large cover shell	1				
		Screw ST4.2X14-C	6				
		Screw M5×15	2				
14	RA341342376B	Decorative block	1	SET			
15	RA341372376	Rotate Pressing plate	1	SET			
16	RA341362376B	Battery chamber hinge assembly	2	SET			
		Battery chamber hinge	1				
		Hinge Pressing block	2				
		Cover spring plate	1				
		Screw ST4.2X12-C	2				
17	RA341392376A	Battery pack cover assembly	2	SET			
		Battery pack cover	1				
		Magnet	1				
18	RA34110811BC	Release button component part	2	SET			
		Battery pack button	1				
		Battery pack button fixed axis	1				
		Battery pack button spring	1				
		Shaft sleeve	2				
19	RA341332376CA	Double package cap assembly	1	SET			
		Double package cap	1				
		Dust-proof sponge	1				
		Dust-proof sponge	1				
		Dust-proof sponge	1				
20	RA341352376B	Key cover assembly	1	SET			
		Key cover	1				
		Cover latch	1				
		Key cover spring	1				
21	RA363012376	Switch assembly	1	SET			

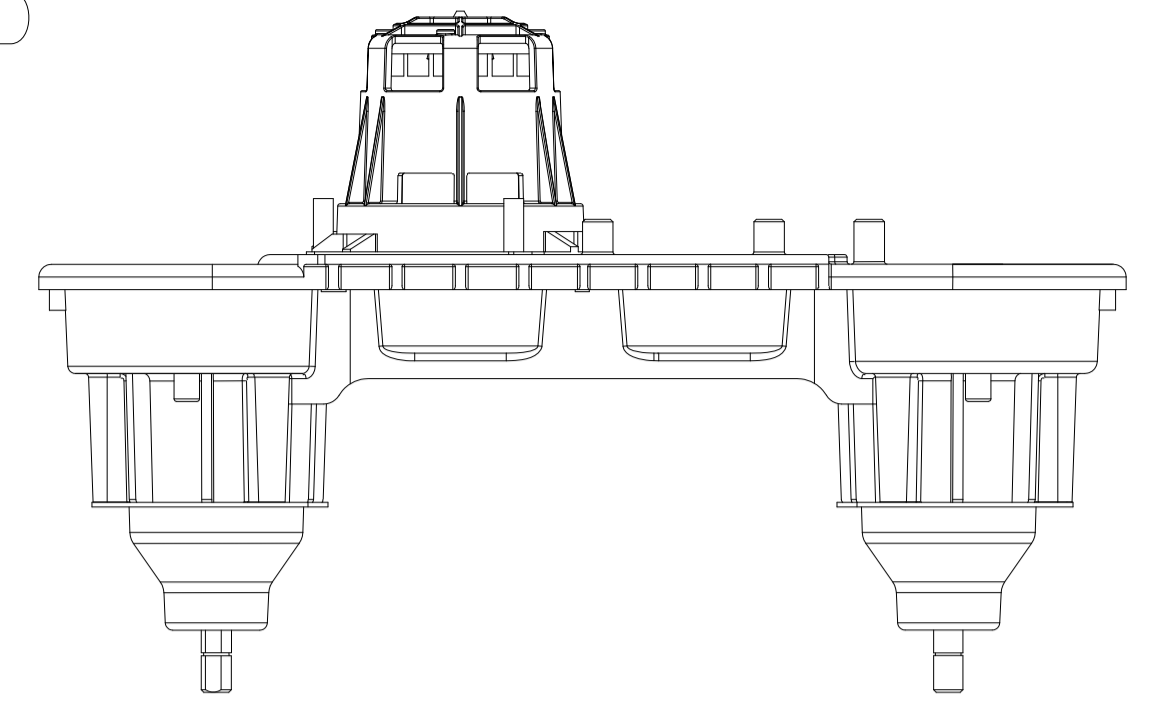
Ref #	Part #	Description	Qty	Context	Note	Cost	MSRP
		Micro switch	1				
		Mounting pin	2				
22	RA341472376A	Key	1	SET			
23	RA311032376B	Grass gathering bag assembly	1	SET			
		Grass gathering bag frame	1				
		Grass gathering bag	1				
24	RA341072376A	Rear cover assembly	1	SET			
		Rear cover	1				
		Rear cover left spring	1				
		Rear cover right spring	1				
		Spring cover	2				
25	RA341052376	Rear block assembly spare part	1	SET			
		Rear block	1				
		Rear block locating block	1				
26	RA333082376B	Left height adjustment bracket assembly	1	SET			
		Left height adjustment bracket	1				
		Anti-loosening nut M8	3				
		Semicircle head screw	3				
		Height adjustment bracket rubber	1				
27	RA341042376A	Housing connector assembly	1	SET			
		Housing connector	1				
		Screw ST8*30	2				
		Wire-pressing plate	2				
		Pressing plate	1				
		Screw ST4.2*20-C	13				
		Screw ST4*16-F	4				
		Screw ST4.2*10-C	2				
28	RA333092376B	Right height adjustment bracket assembly	1	SET			
		Right height adjustment bracket	1				
		Anti-loosening nut M8	3				
		Semicircle head screw	3				
		Height adjustment bracket rubber	1				
29	RA311242376	Height adjustment curved lever assembly	1	SET			
		Screw ST4.2*12 C	2				

Ref #	Part #	Description	Qty	Context	Note	Cost	MSRP
		Split pin	1				
		Height adjustment curved lever	1				
		Spring	1				
		Height adjustment handle left housing	1				
		Height adjustment handle right housing	1				
30	RA342022376	Shock-absorbing pad	1		SET		
31	RA333042376BC	Housing assembly	1		SET		
		Housing	1				
		Screw M6*15	6				
		Balancing weight	2				
32	RA333022376	Right 12'' blade	1		SET		
33	RA332052376	Right blade fixed seat assembly	1		SET		
		Blade presser	1				
		Right blade fixed seat	1				
		Nut M12	1				
34	RA333012376	Left 12'' blade	1		SET		
35	RA332042376	Left blade fixed seat assembly	1		SET		
		Blade presser	1				
		Right blade fixed seat	1				
		Nut M12	1				





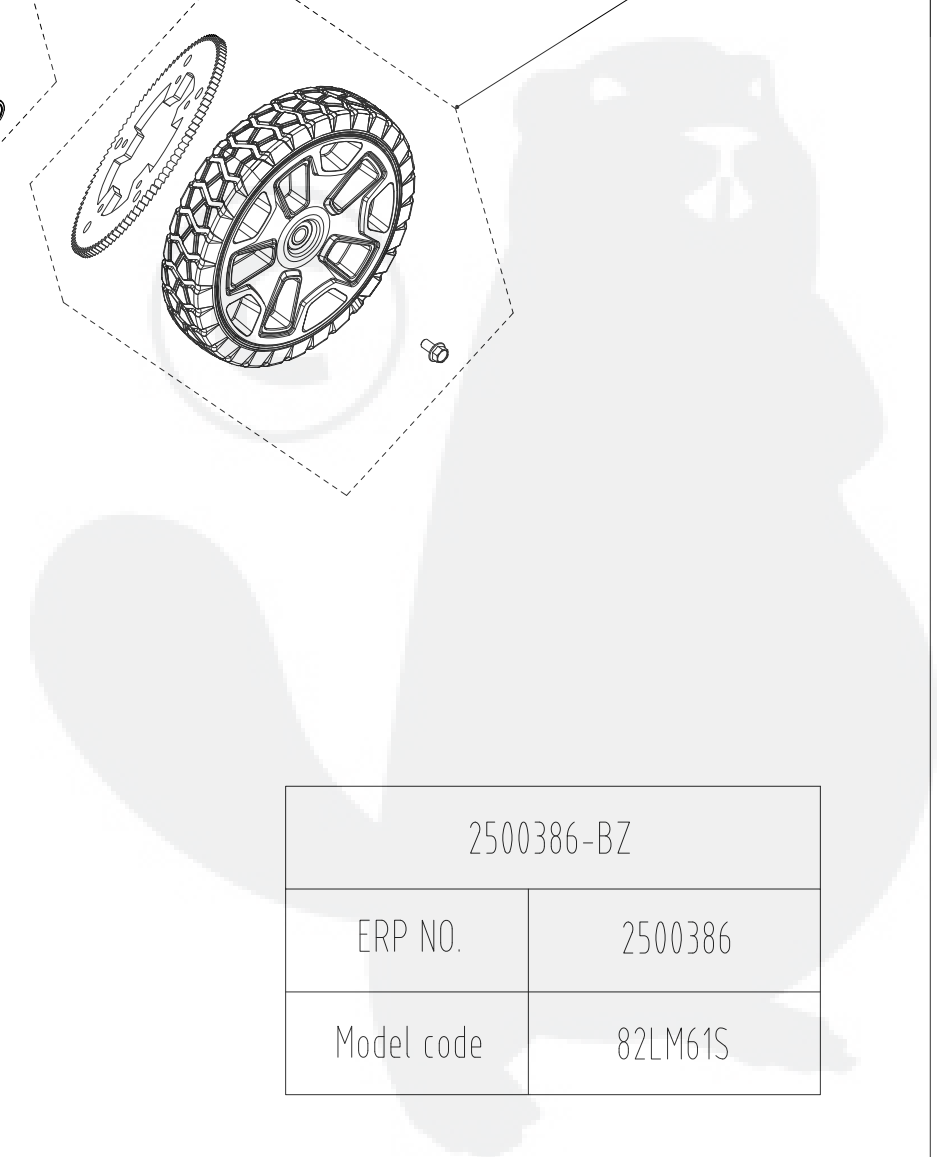
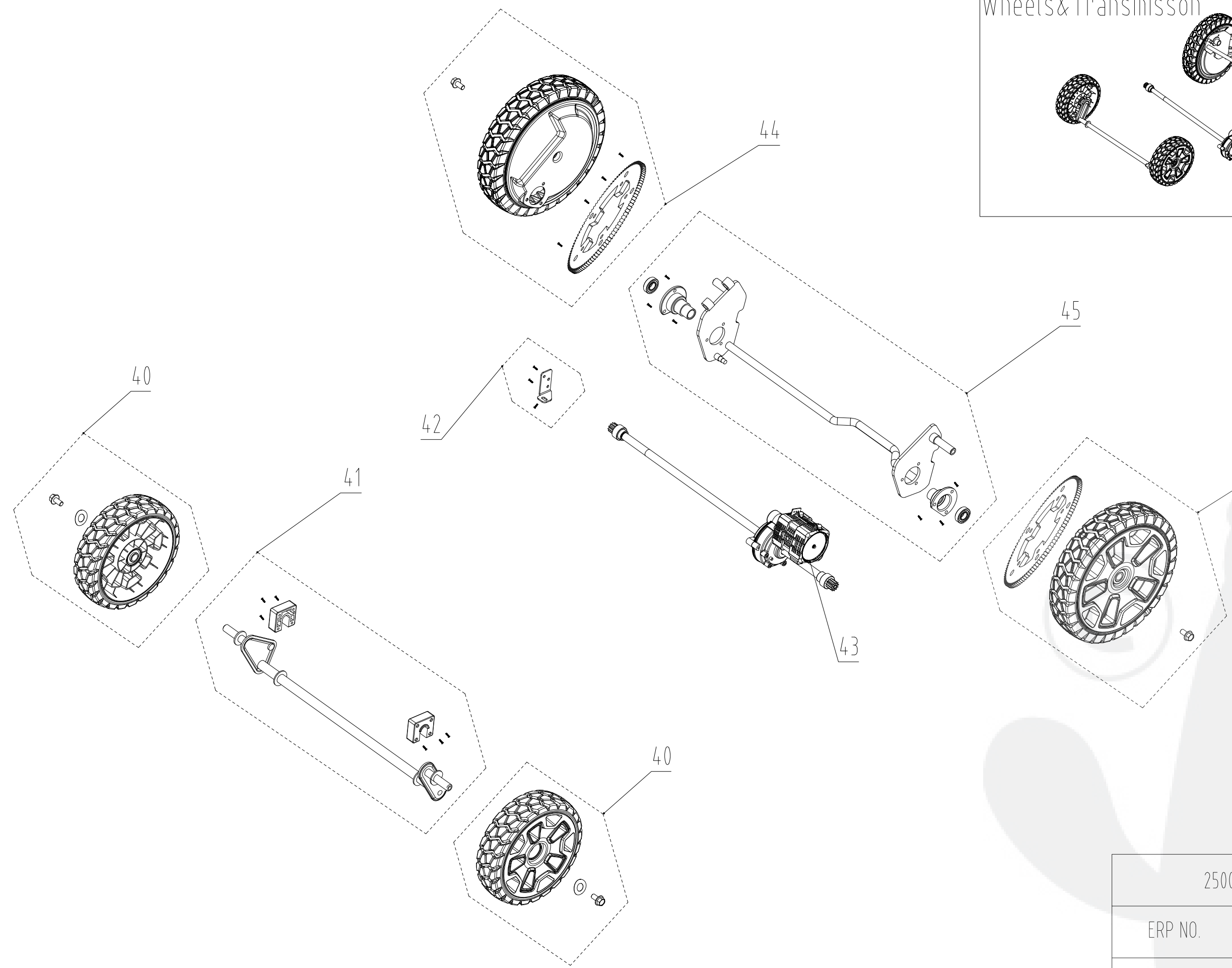
Motor&PCB



2500386-BZ	
ERP NO.	2500386
Model code	82LM61S

Ref #	Part #	Description	Qty	Context	Note	Cost	MSRP
36	RA341552376	Lower air duct assembly NEW (2018/12)	1		SET		
		Lower air duct	1				
		Volute canal	1				
		Screw M4*10	2				
		Screw M4*8	3				
37	RA362082376	Self-propelled PCB NEW (2018/12)	1		SET		
			1				
		PCB	1				
38	RA362042376	Blade PCB spare part	1		SET		
39	RA311212376	Gear box assembly	1		SET		
		Lubricating oil	1		0.03kg		
		Deep groove ball bearing	2				
		6801Z bearing	2				
		6201-2RS bearing	2				
		Screw M5×15	9				
		Screw M5*25	4				
		Screw M5*15	26				
		Screw M4*12	1				
		Screw M4*12	4				
		Washer	2				
		Circlip for hole	2				
		Gear box housing	1				
		Gear box cover	1				
		Active gear fixed seat	1				
		Blade connection fixed seat ?	1				
		Blade connection fixed seat ?	1				
		Gear box connection fixed seat	2				
		Blade coupling shaft?	1				
		Blade coupling shaft?	1				
		Gear shaft	1				
		Flat key	4				
		Gear shaft pad	1				
		Double blade right-hand gear?	1				
		Double blade right-hand gear?	1				
		Double blade Left-hand gear	2				
		Motor gasket	1				
		82V Double blade lawn mower motor	1				

Wheels & Transmisson



2500386-BZ	
ERP NO.	2500386
Model code	82LM61S

Ref #	Part #	Description	Qty	Context	Note	Cost	MSRP
40	RA341281179K	8" wheel assembly	1	SET			
		Bolt M8X16	1				
		8" wheel assembly	1				
41	RA333052376A	Front wheel axle assembly	1	SET			
		spare part					
		Front wheel axle welding assembly	1				
		Front wheel axle fixed block	1				
		screw ST5*16	6				
42	RA333142376	Pinboard assembly spare part	1	SET			
		Pinboard	1				
		Screw M4*12	3				
43	RA361012468	Self-propelled reducer assembly	1	SET			
		Grease	1		0.005kg		
		Bearing	2				
		Screw	3				
		Screw ST4.2*12-F	2				
		f9 Shaft ring	2				
		Left reducer shell	1				
		Right reducer shell	1				
		Retainer plate	1				
		Screw	5				
		Double blade motor gear	1				
		Double blade long shaft	1				
		Double blade short shaft	1				
		Centrifuge block	2				
		Rotary fixed sleeve	2				
		Transmission Sleeve	2				
		Drive gasket	2				
		Guide rod	2				
		Coupling shaft	1				
		Reset pull spring	1				
		Left motor hood	1				
		Right motor hood	1				
		Big gear	1				
		Reset spring hook	2				
		82V Brushless Motor	1				
		Self-propelled little gear	2				
		One way clutch bearing	2				
		f6 Shaft spring ring	2				



Ref #	Part #	Description	Qty	Context	Note	Cost	MSRP
44	RA341602376BB	10" wheel assembly spare part NEW (2018/12)	2	SET			
		Dust-proof cover	1				
		10" wheel assembly	1				
		Big wheel gear	1				
		Screw ST4.2*20-C	5				
		Bolt M8X16	1				
45	RA333062376B	Back wheel axle assembly	1	SET			
		Back wheel axle welding assembly	1				
		Left back wheel axle sleeve	1				
		Right back wheel axle sleeve	1				
		Bearing	2				
		Screw M5*15	6				

