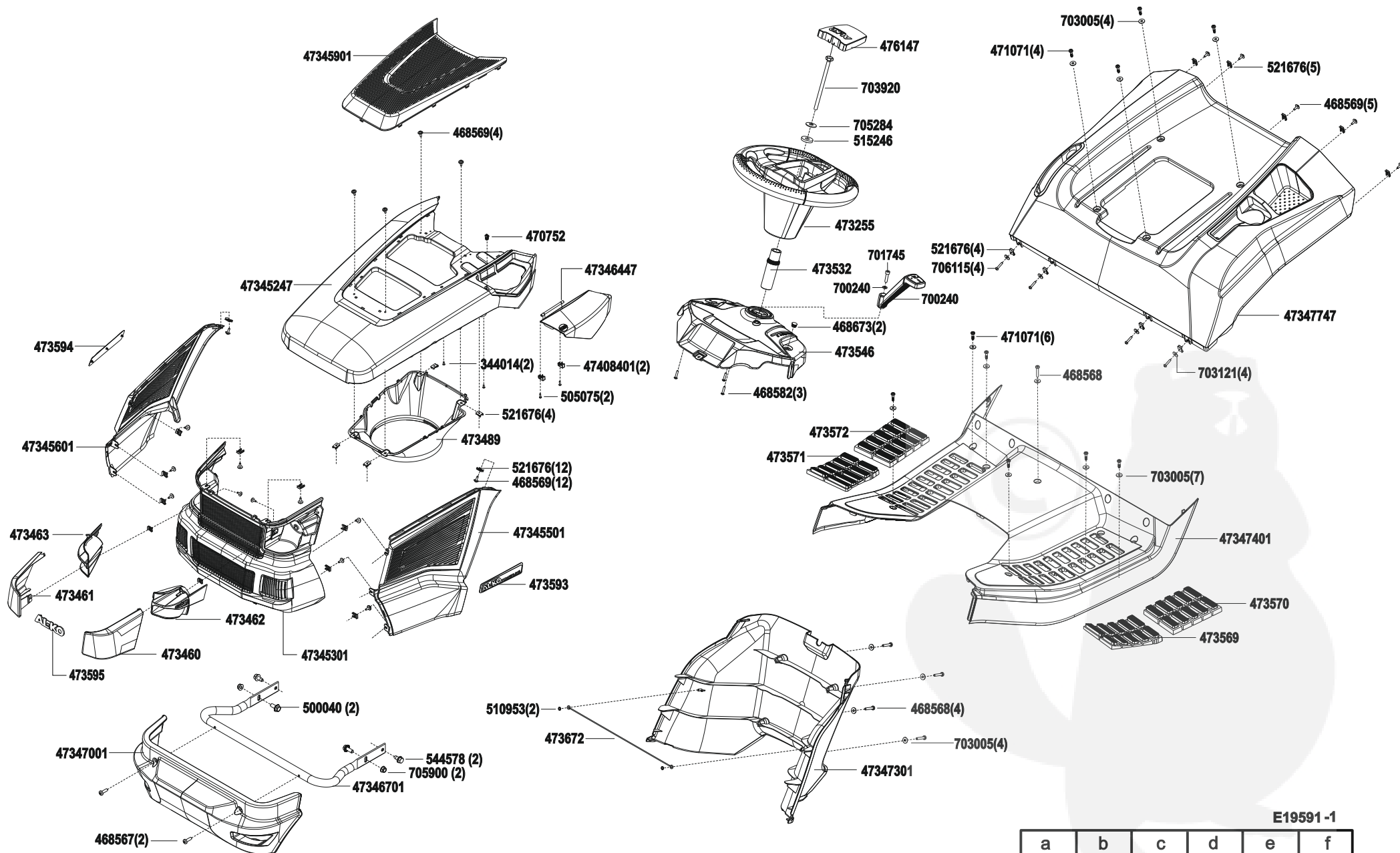


Crossover T 105 / 18 H

Art. 119591

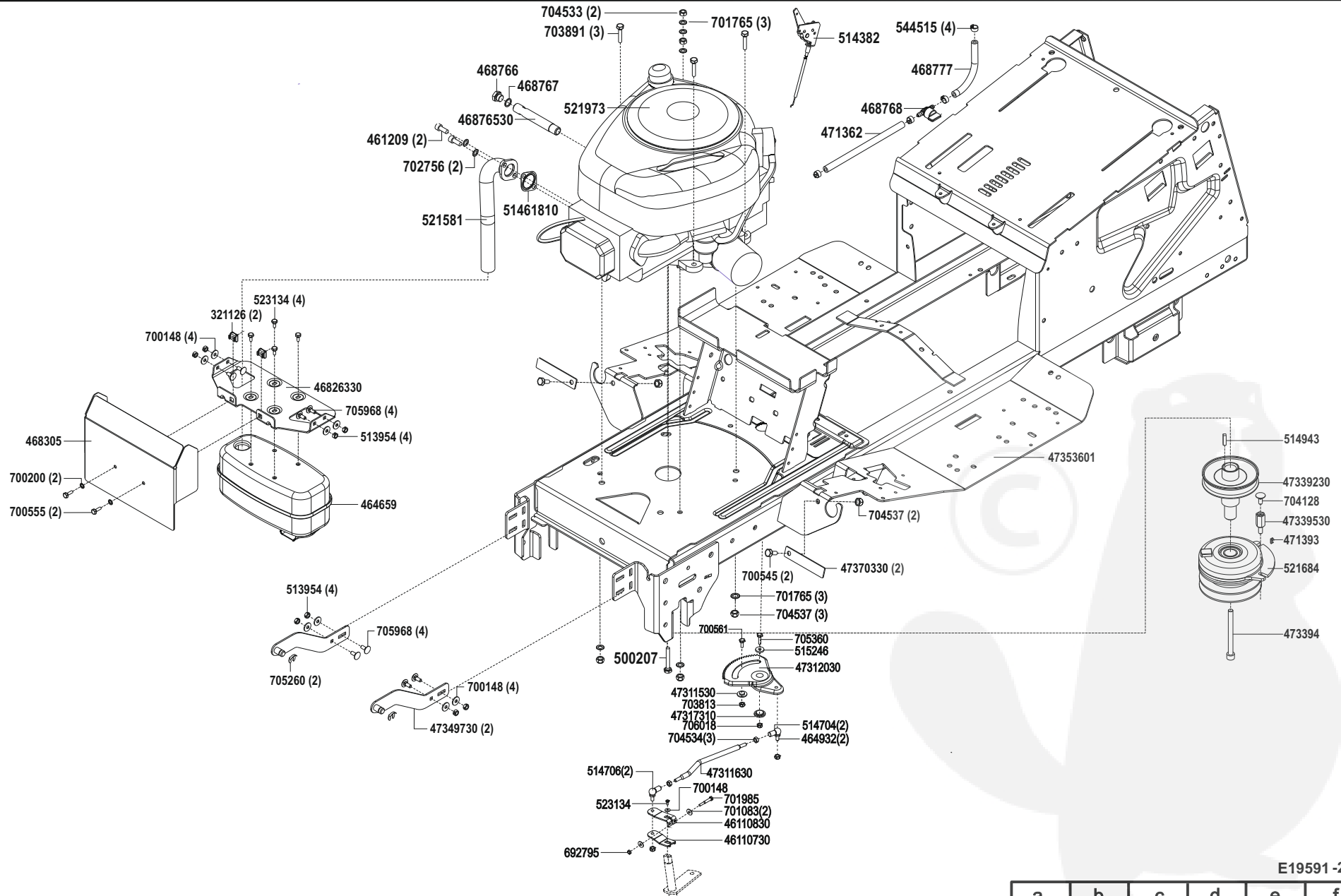


E19591-1

a	b	c	d	e	f
---	---	---	---	---	---

Crossover T 105 / 18 H

Art. 119591

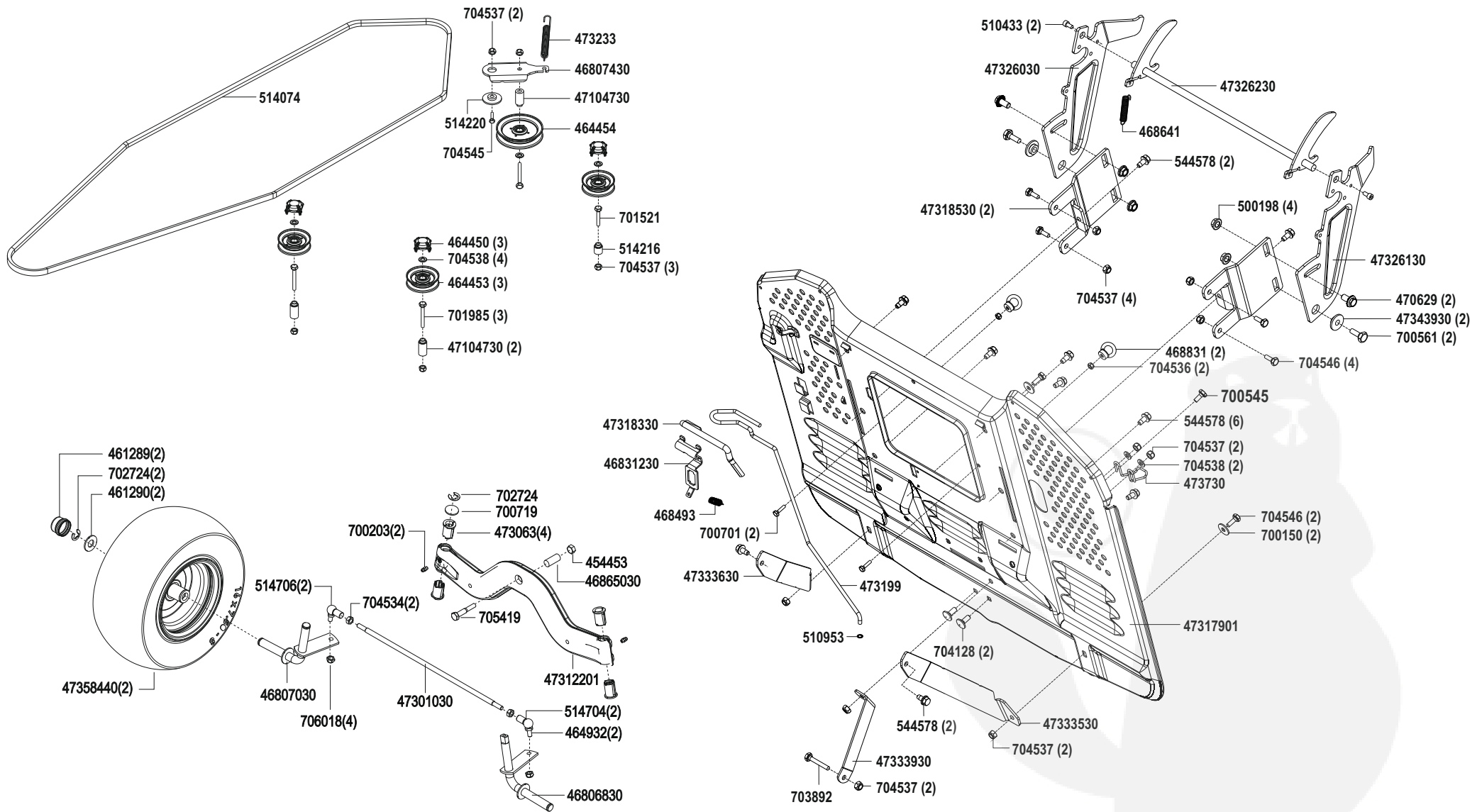


E19591-2

a	b	c	d	e	f
---	---	---	---	---	---

Crossover T 105 / 18 H

Art. 119591

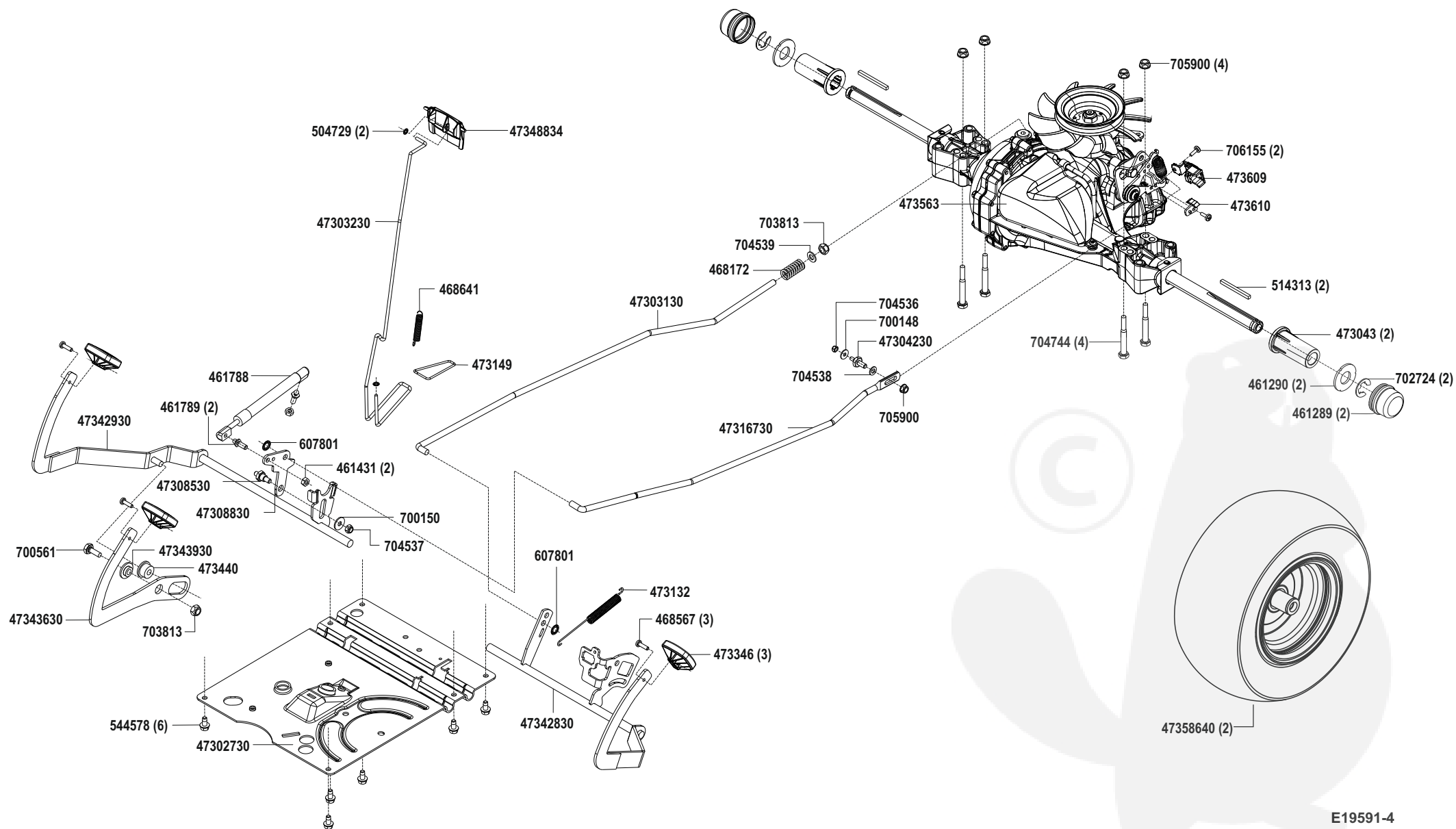


E19591-3

a	b	c	d	e	f
---	---	---	---	---	---

Crossover T 105 / 18 H

Art. 119591

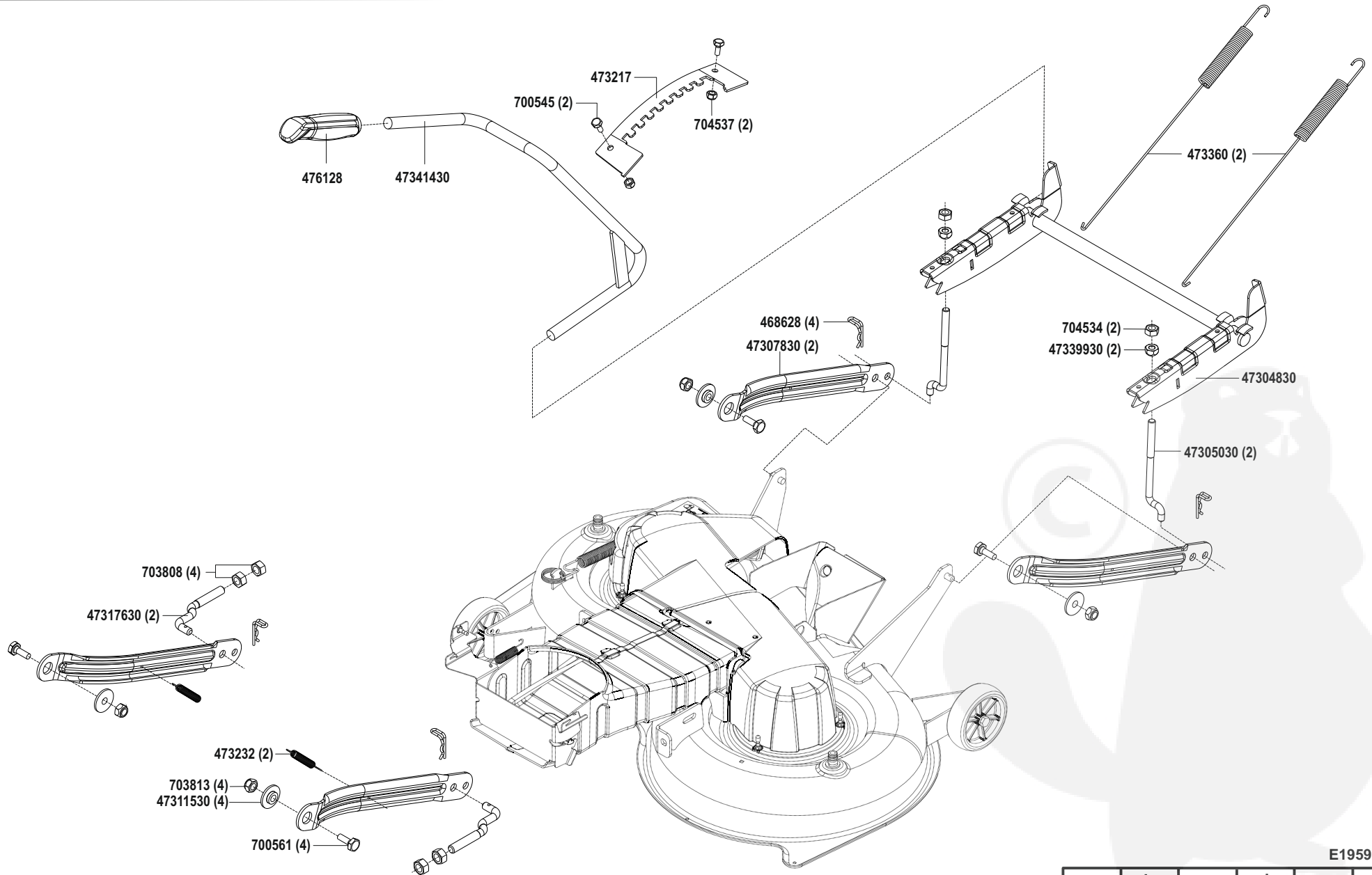


E19591-4

a	b	c	d	e	f
---	---	---	---	---	---

Crossover T 105 / 18 H

Art. 119591

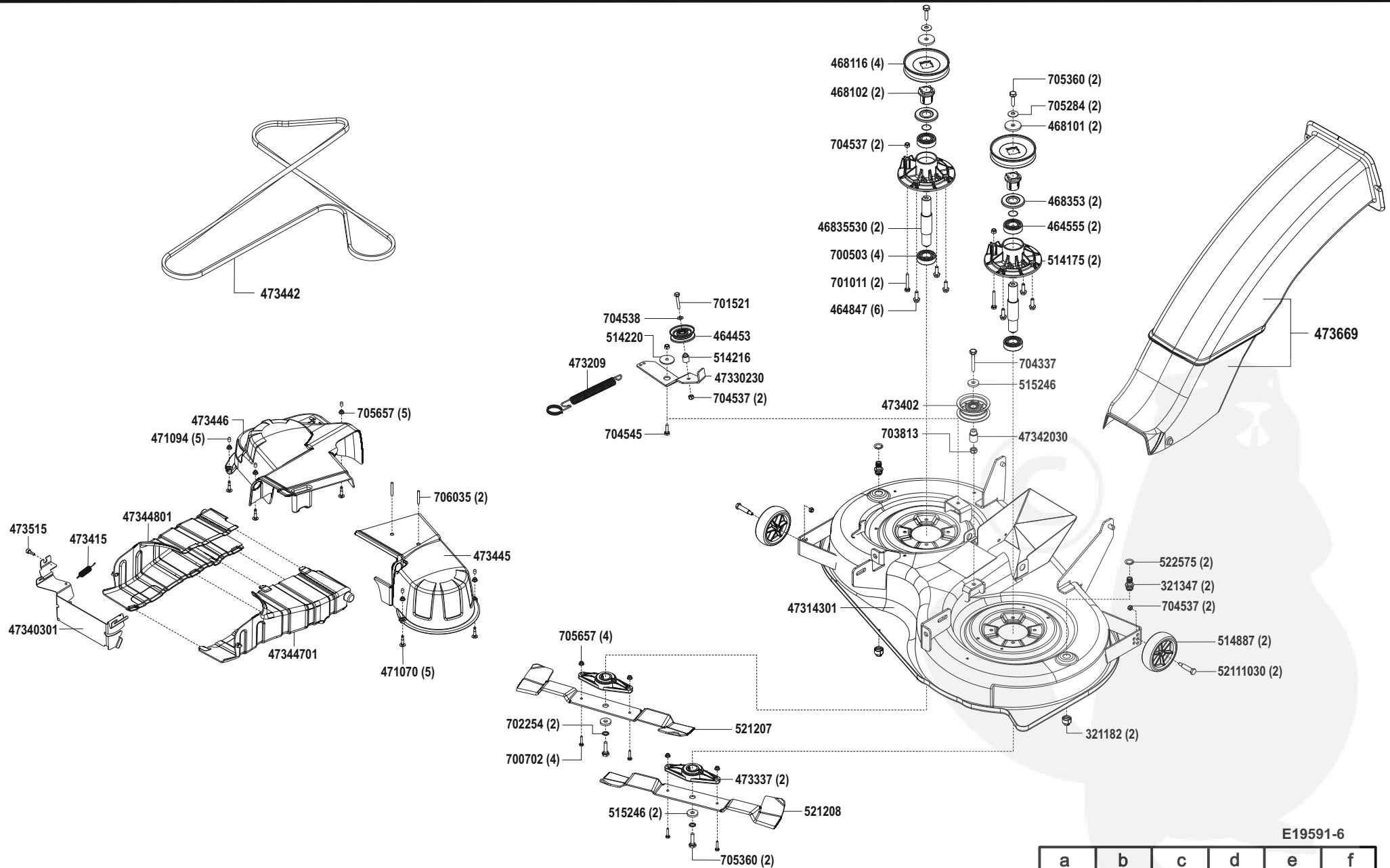


E19591-5

a	b	c	d	e	f
---	---	---	---	---	---

Crossover T 105 / 18 H

Art. 119591

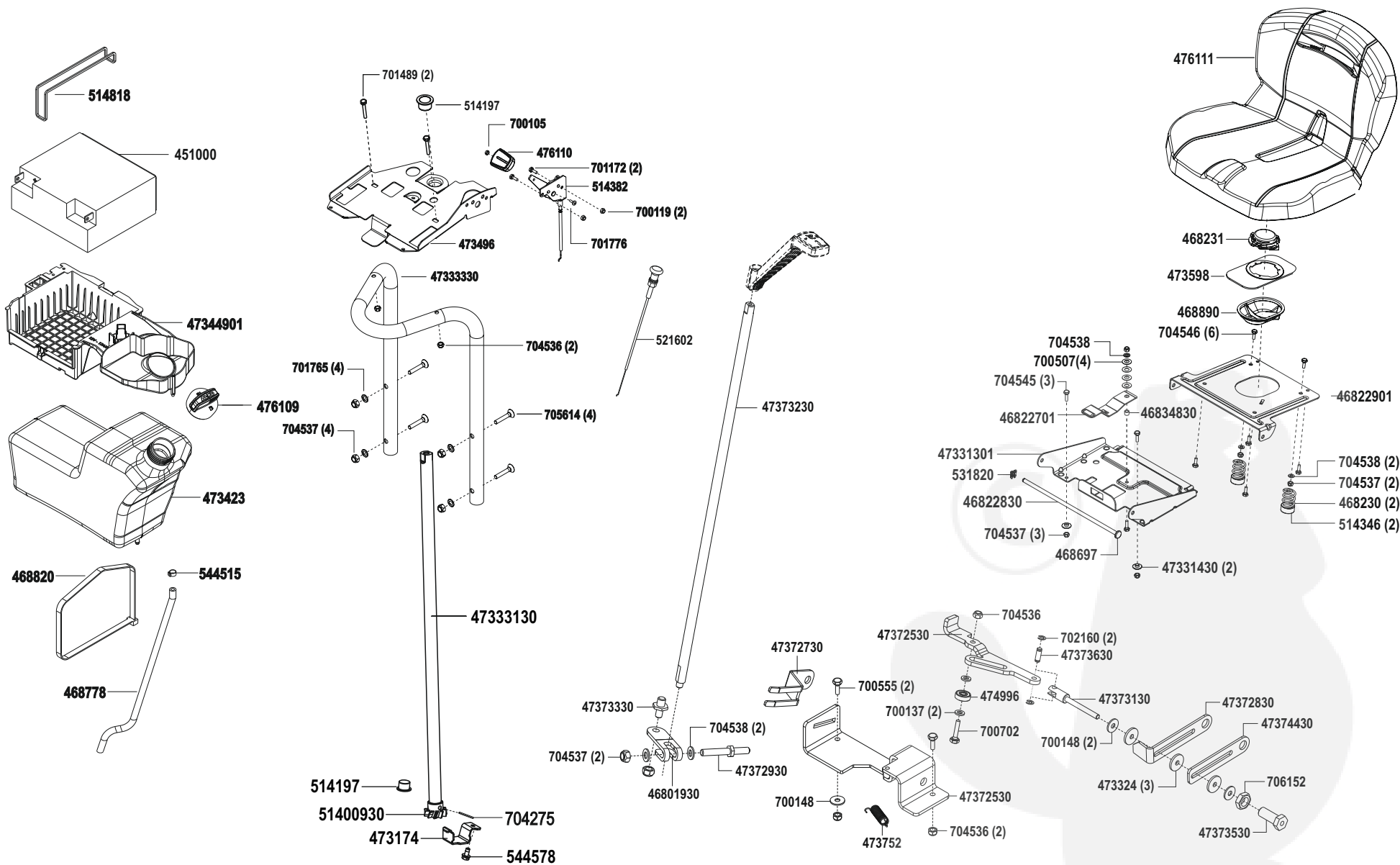


E19591-6

a	b	c	d	e	f
---	---	---	---	---	---

Crossover T 105 / 18 H

Art. 119591

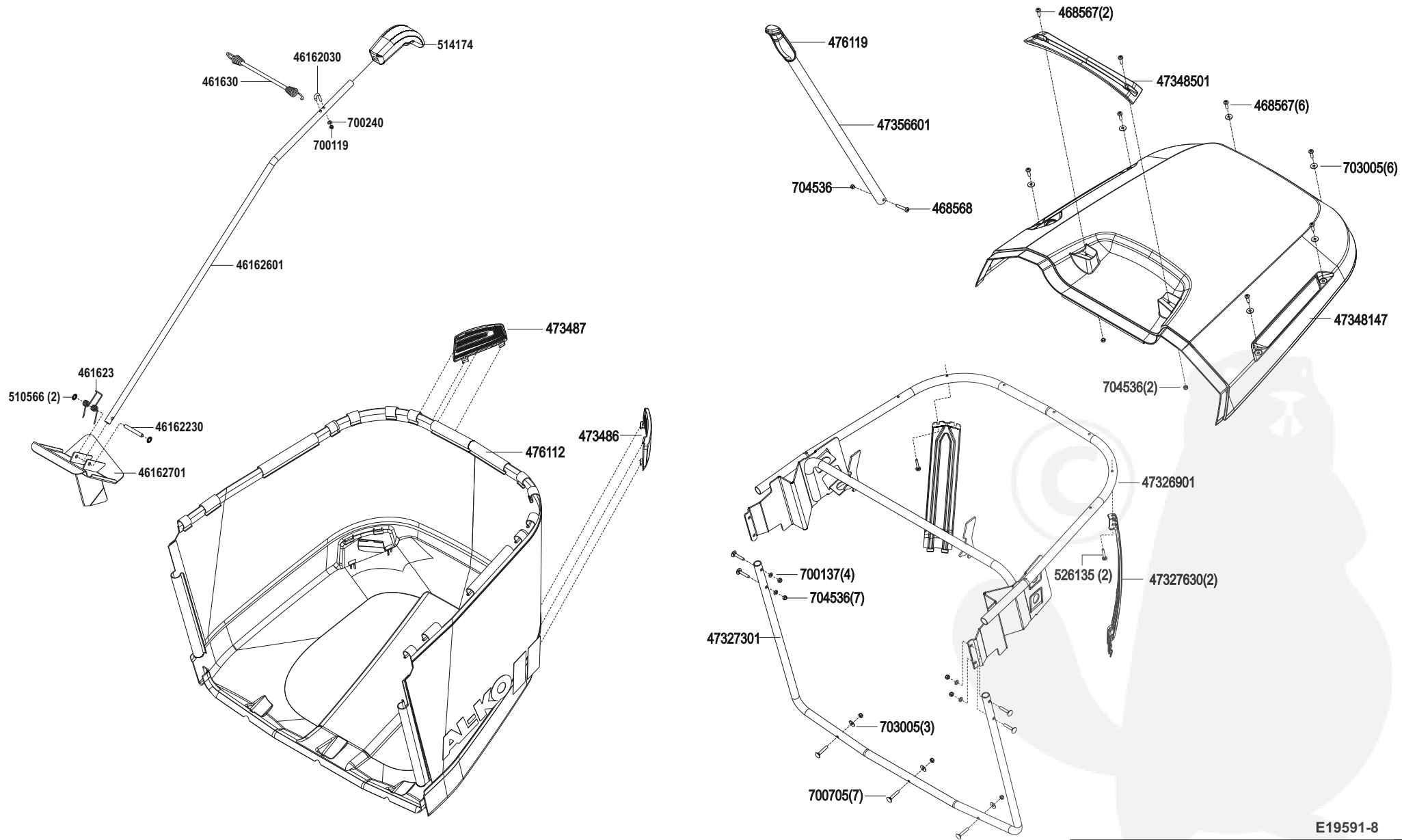


E19591-7

a	b	c	d	e	f
---	---	---	---	---	---

Crossover T 105 / 18 H

Art. 119591

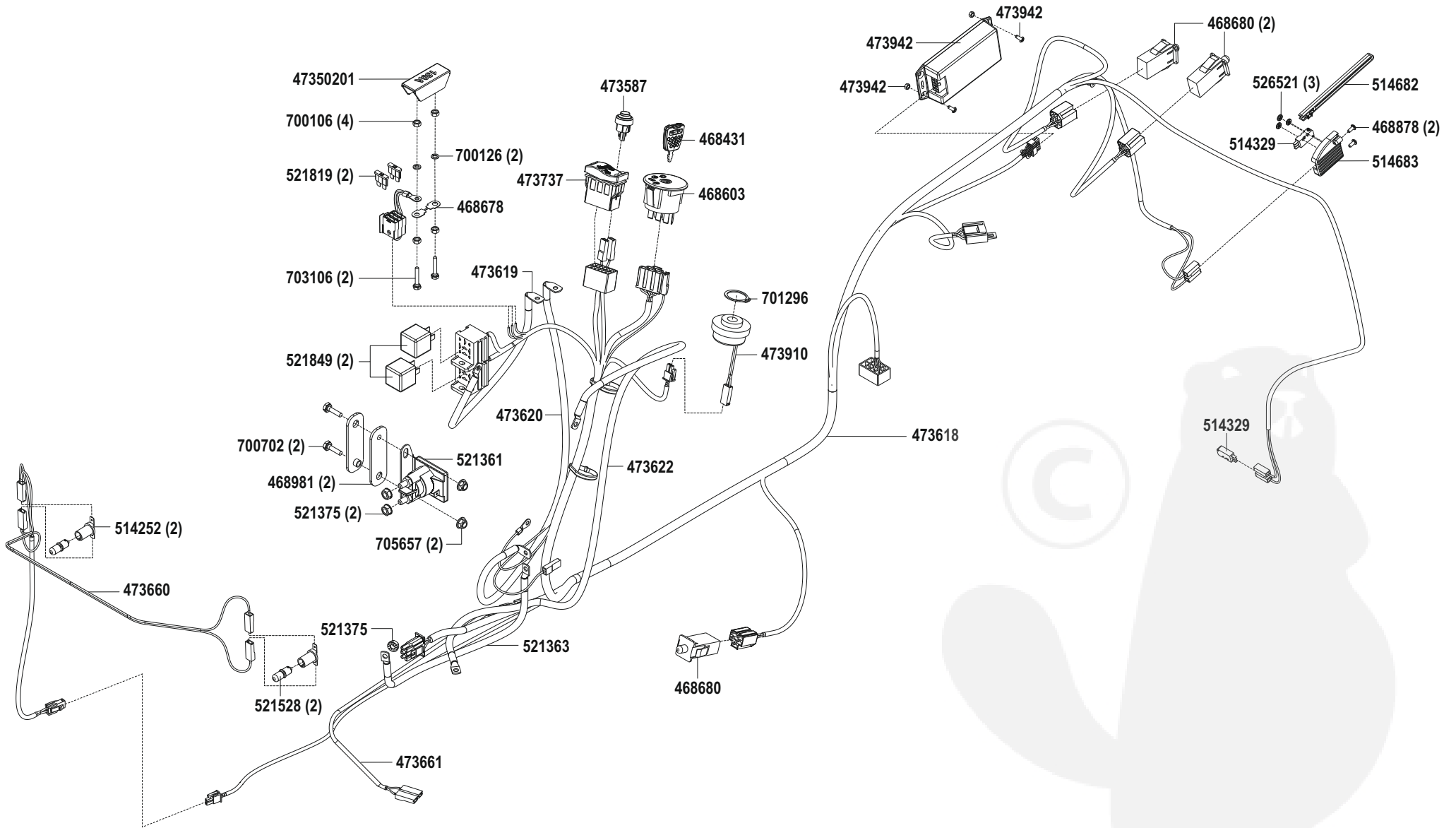


E19591-8

a	b	c	d	e	f
---	---	---	---	---	---

Crossover T 105 / 18 H

Art. 119591

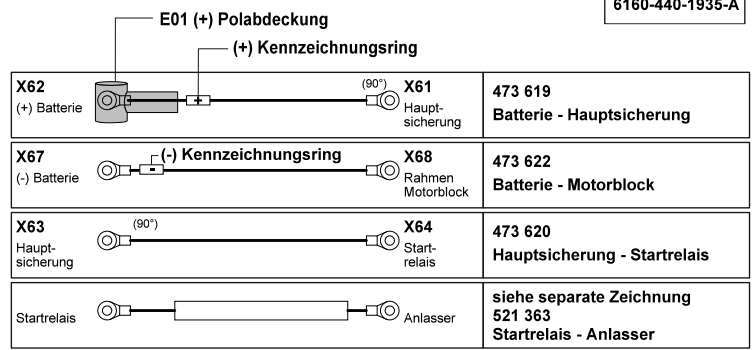
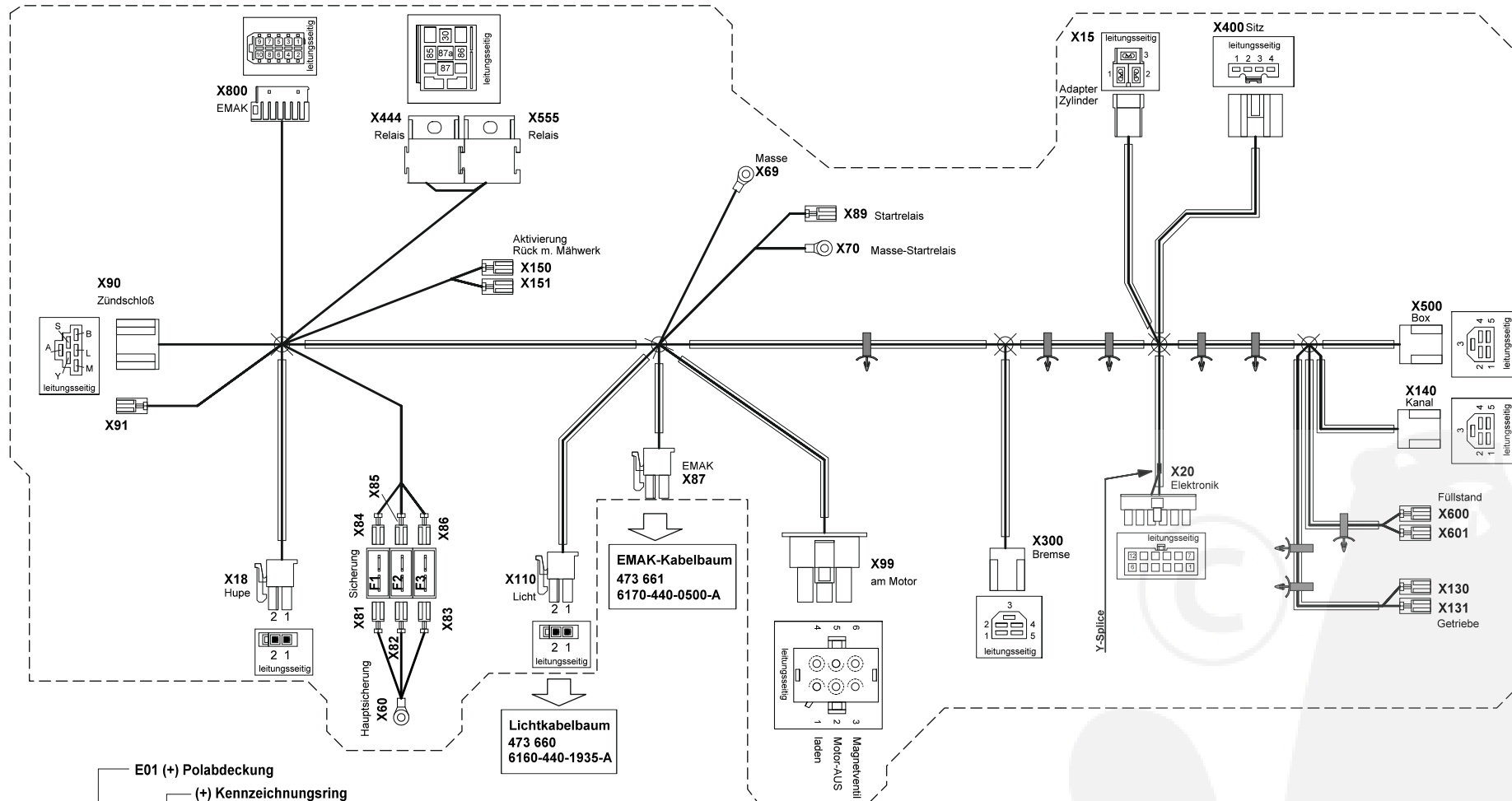


E19591-9

a	b	c	d	e	f
---	---	---	---	---	---

Crossover T 105 / 18 H

Art. 119591



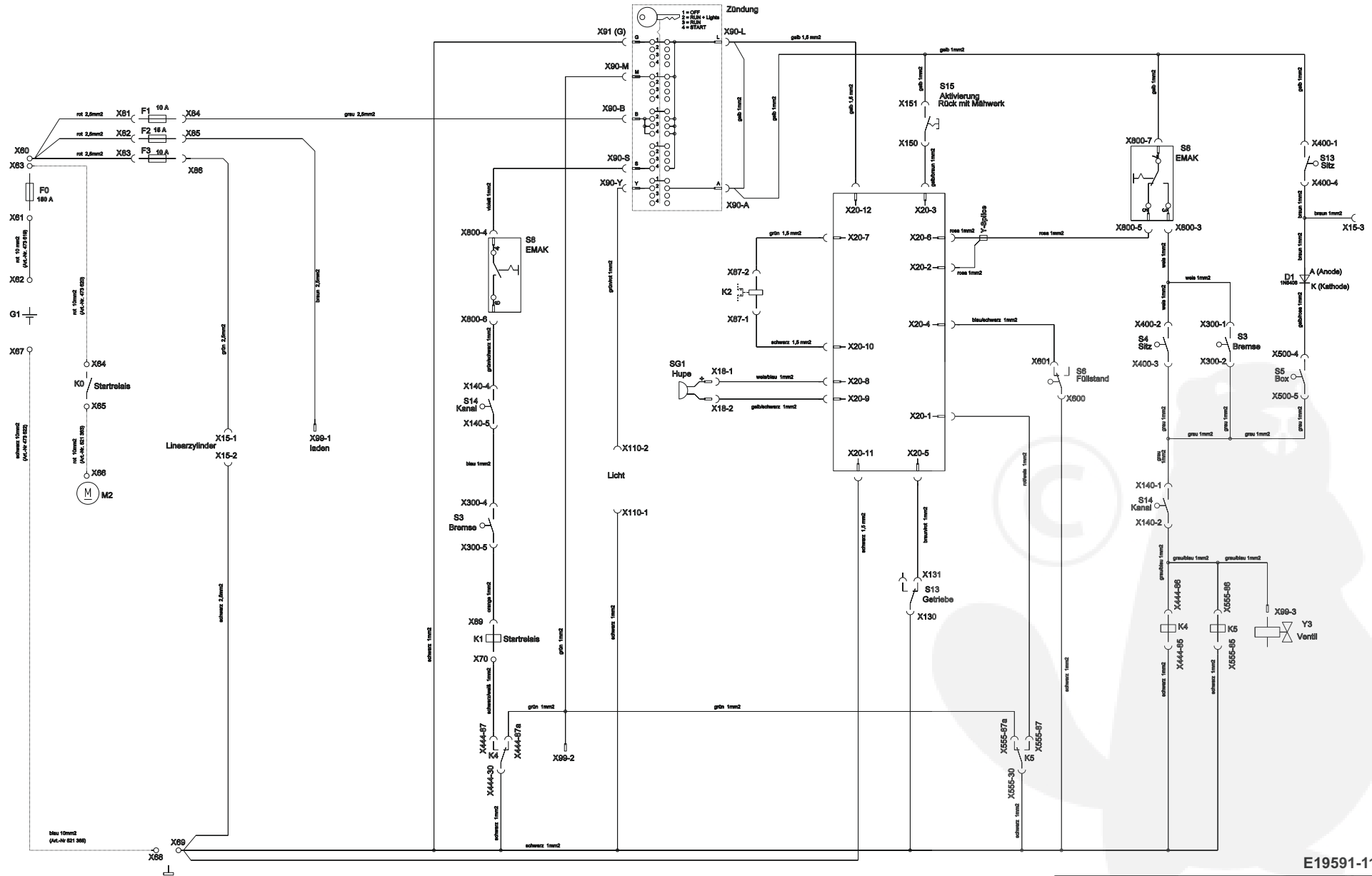
473 618
Kabelbaum
Hauptstrang
Heckauswurf (A)

E19591-10

a	b	c	d	e	f
---	---	---	---	---	---

Crossover T 105 / 18 H

Art. 119591



E19591-11

a	b	c	d	e	f
---	---	---	---	---	---