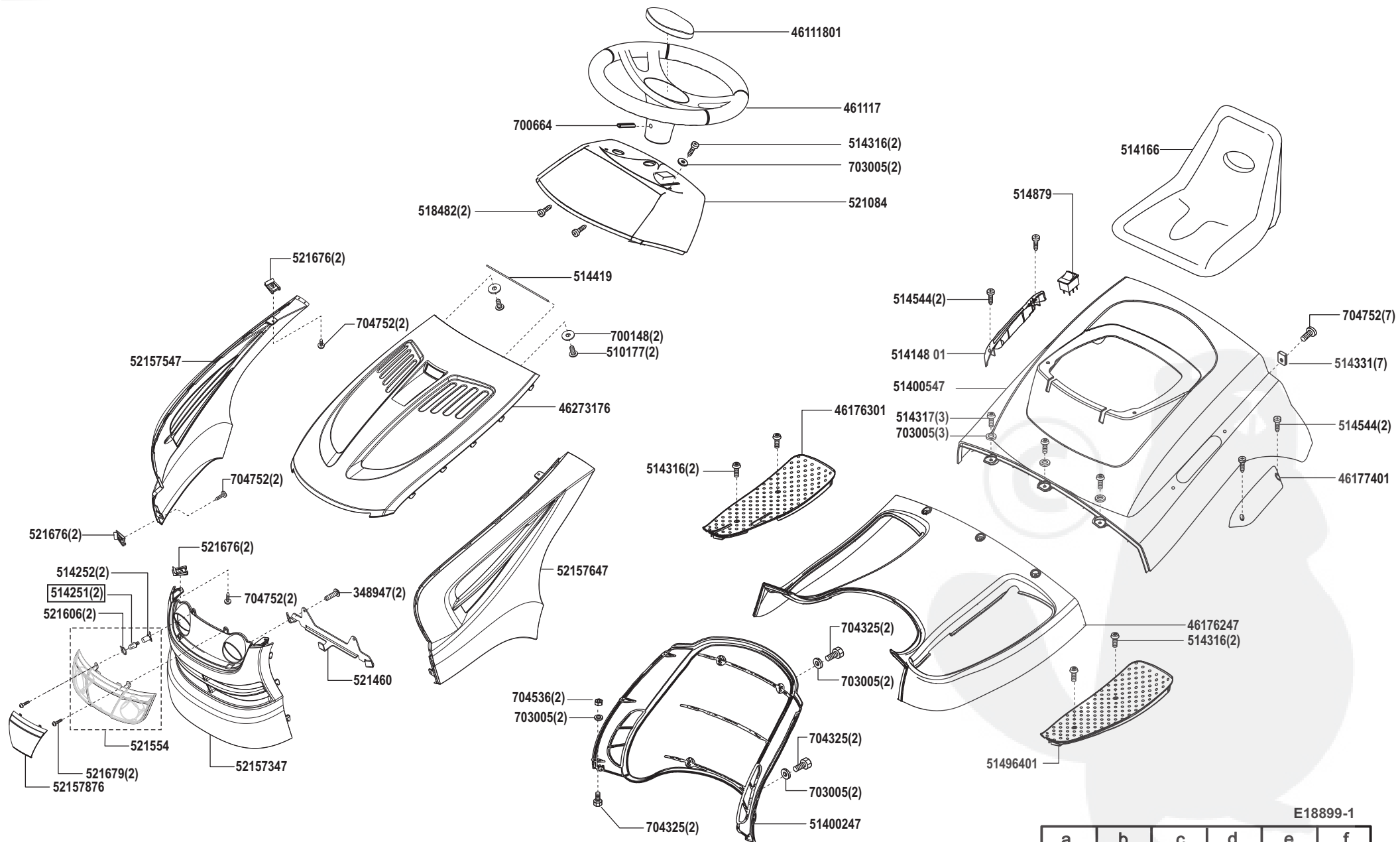


# Crossover 92/13 H

Art. Nr. 65056 / 118899

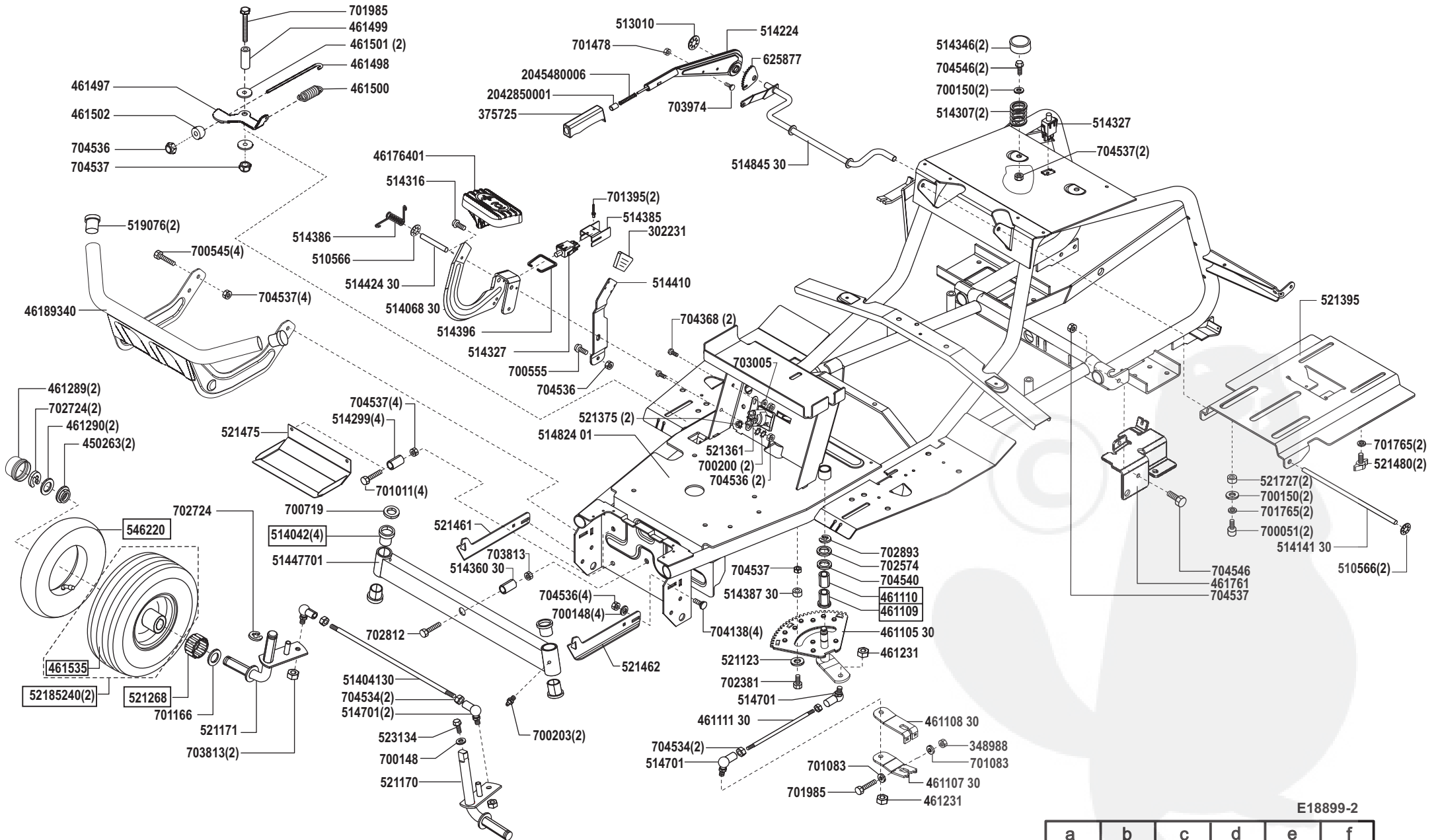


E18899-1

|       |   |   |   |   |   |
|-------|---|---|---|---|---|
| a     | b | c | d | e | f |
| 01/07 |   |   |   |   |   |

# Crossover 92/13 H

Art. Nr. 65056 / 118899

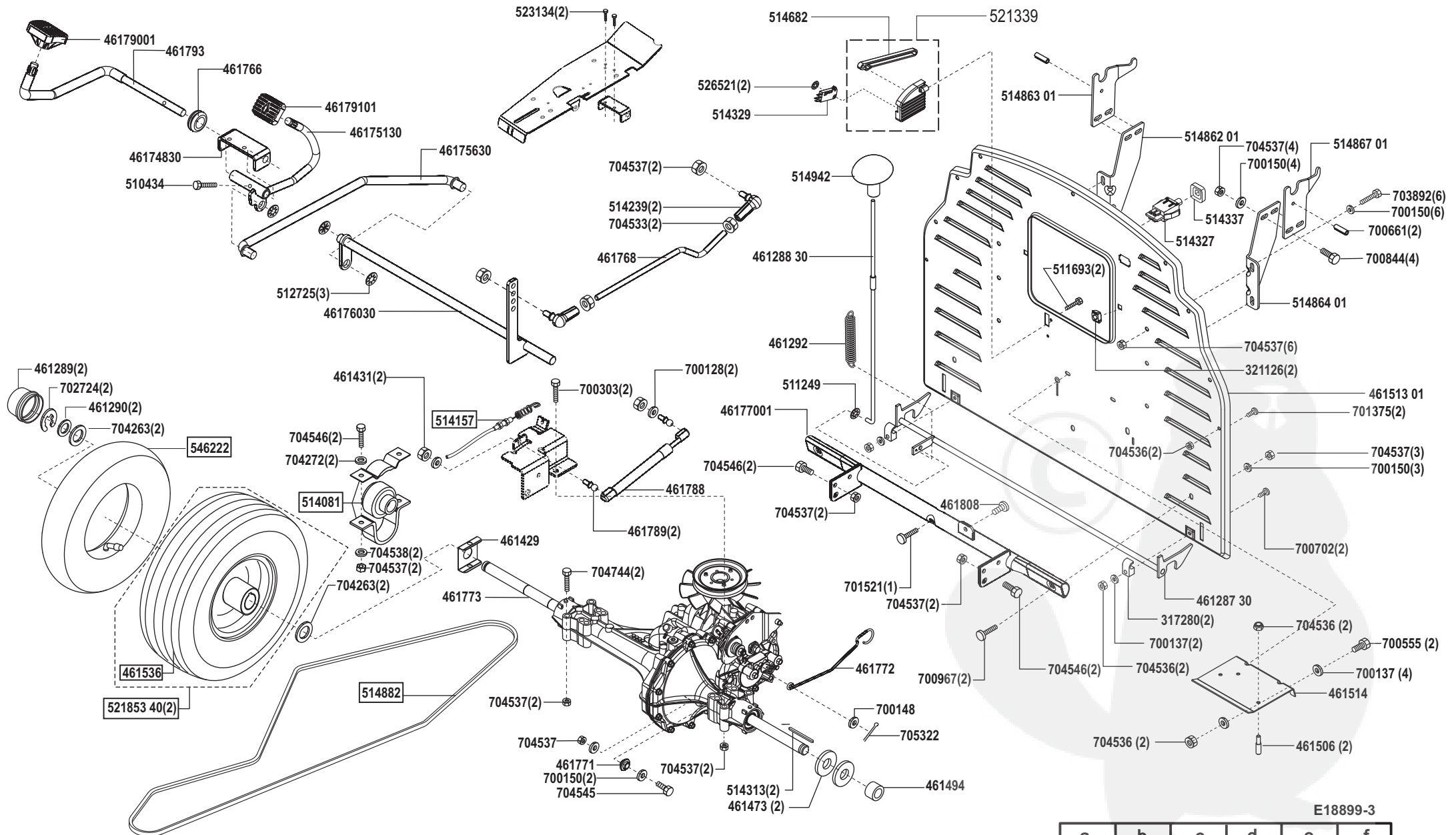


E18899-2

|   |   |   |   |   |   |
|---|---|---|---|---|---|
| a | b | c | d | e | f |
|---|---|---|---|---|---|

# Crossover 92/13 H

Art. Nr. 65056 / 118899

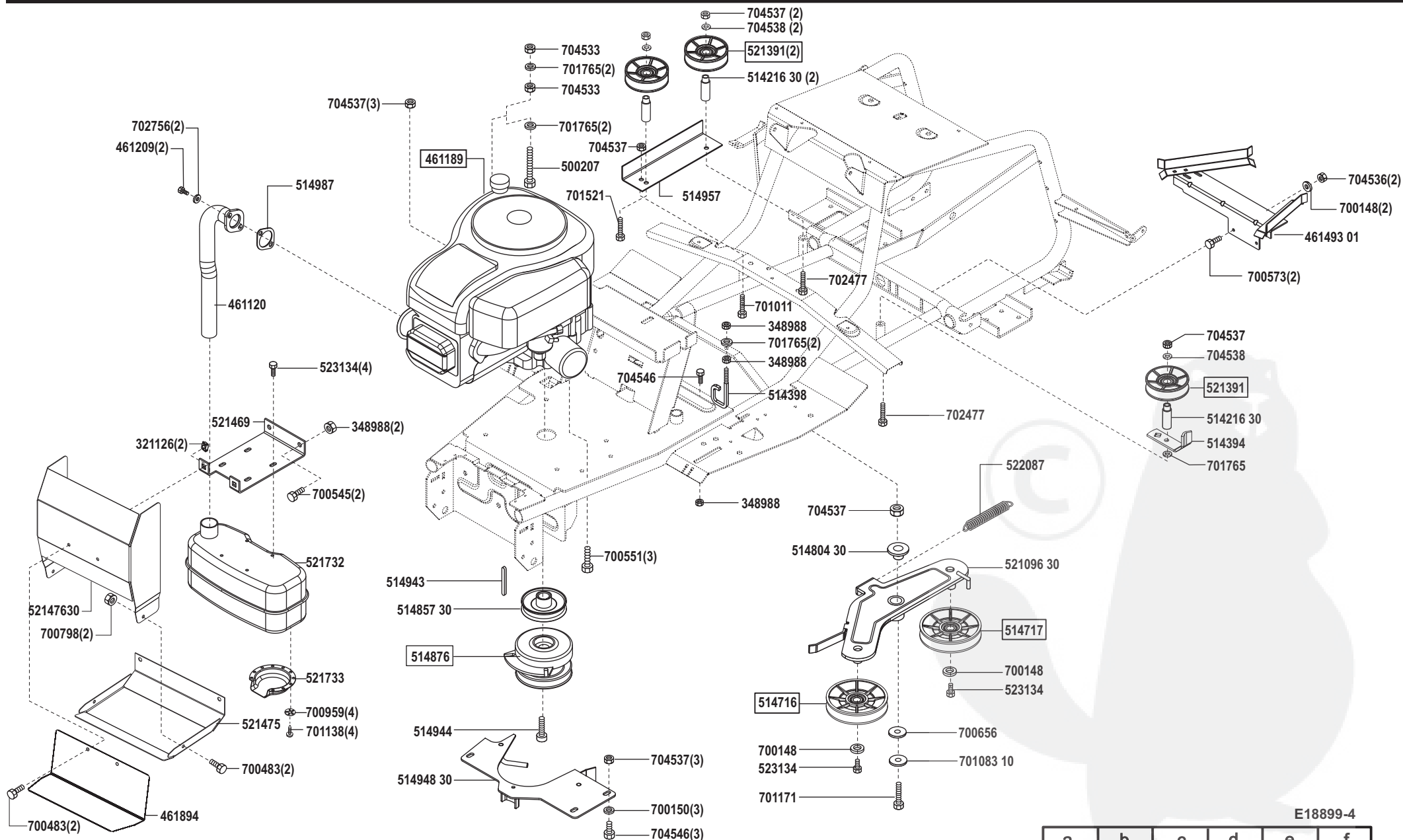


E18899-3

|   |   |   |   |   |   |
|---|---|---|---|---|---|
| a | b | c | d | e | f |
|---|---|---|---|---|---|

# Crossover 92/13 H

Art. Nr. 65056 / 118899

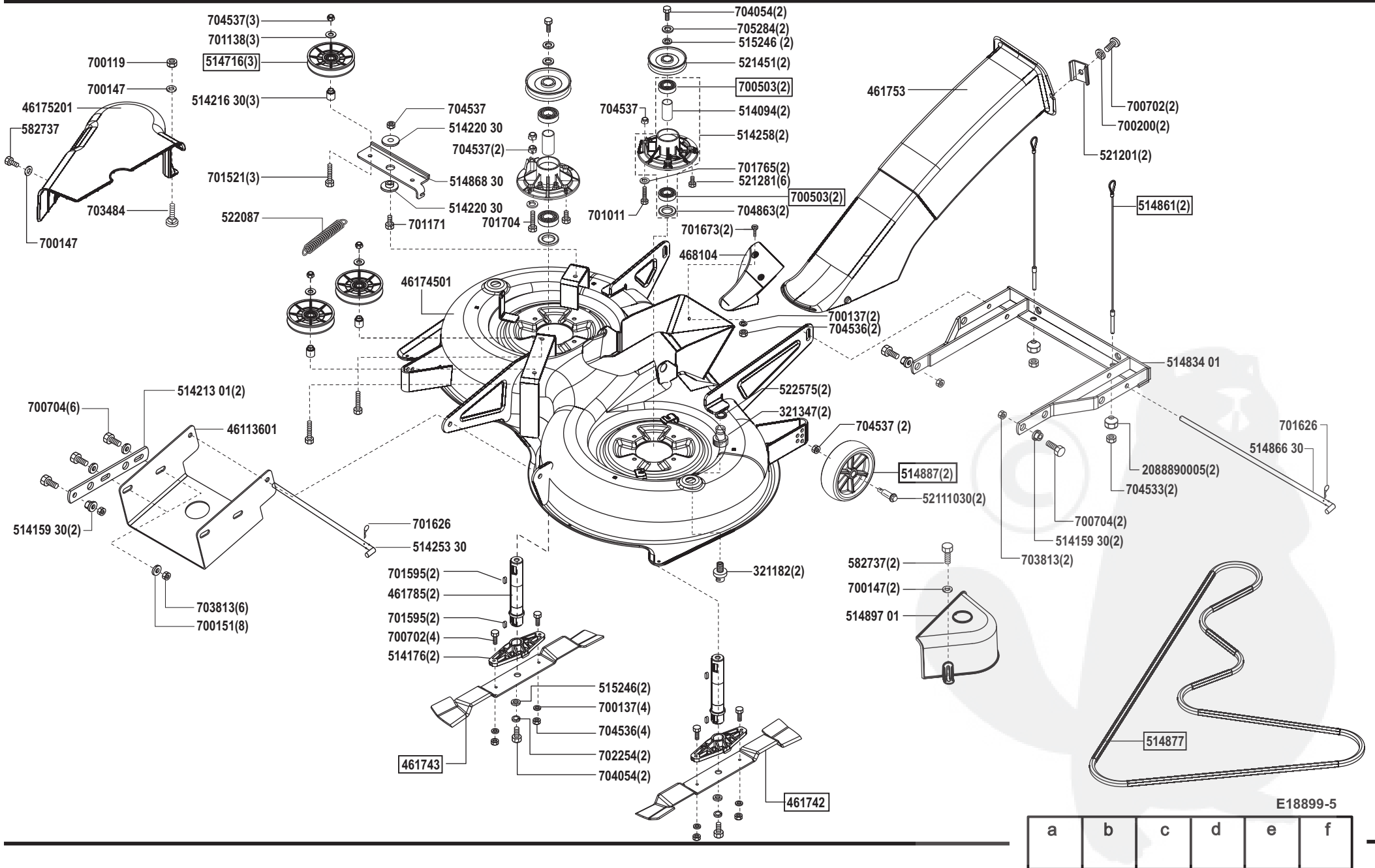


E18899-4

|   |   |   |   |   |   |
|---|---|---|---|---|---|
| a | b | c | d | e | f |
|---|---|---|---|---|---|

# Crossover 92/13 H

Art. Nr. 65056 / 118899

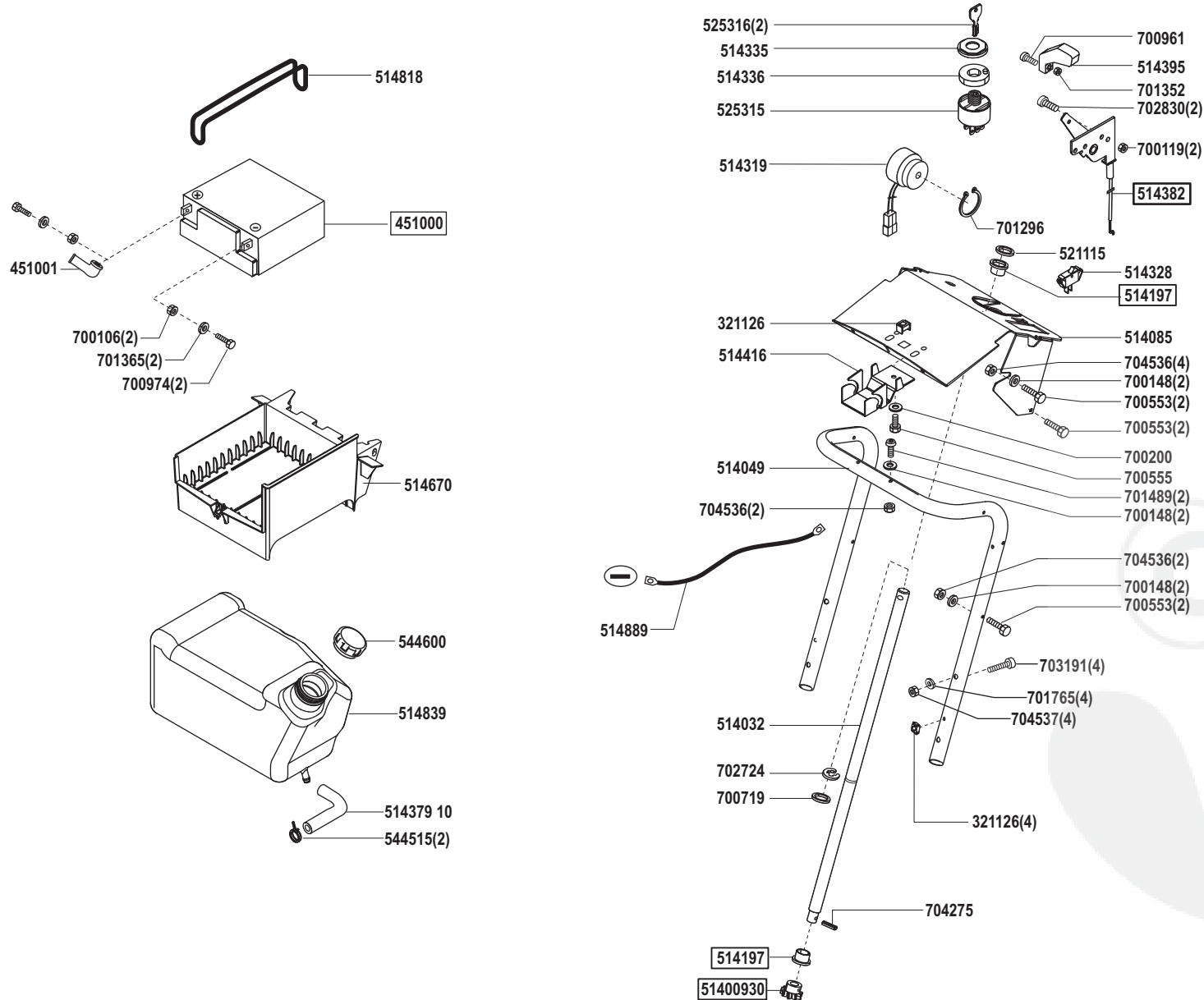


E18899-5

|   |   |   |   |   |   |
|---|---|---|---|---|---|
| a | b | c | d | e | f |
|---|---|---|---|---|---|

# Crossover 92/13 H

Art. Nr. 65056 / 118899

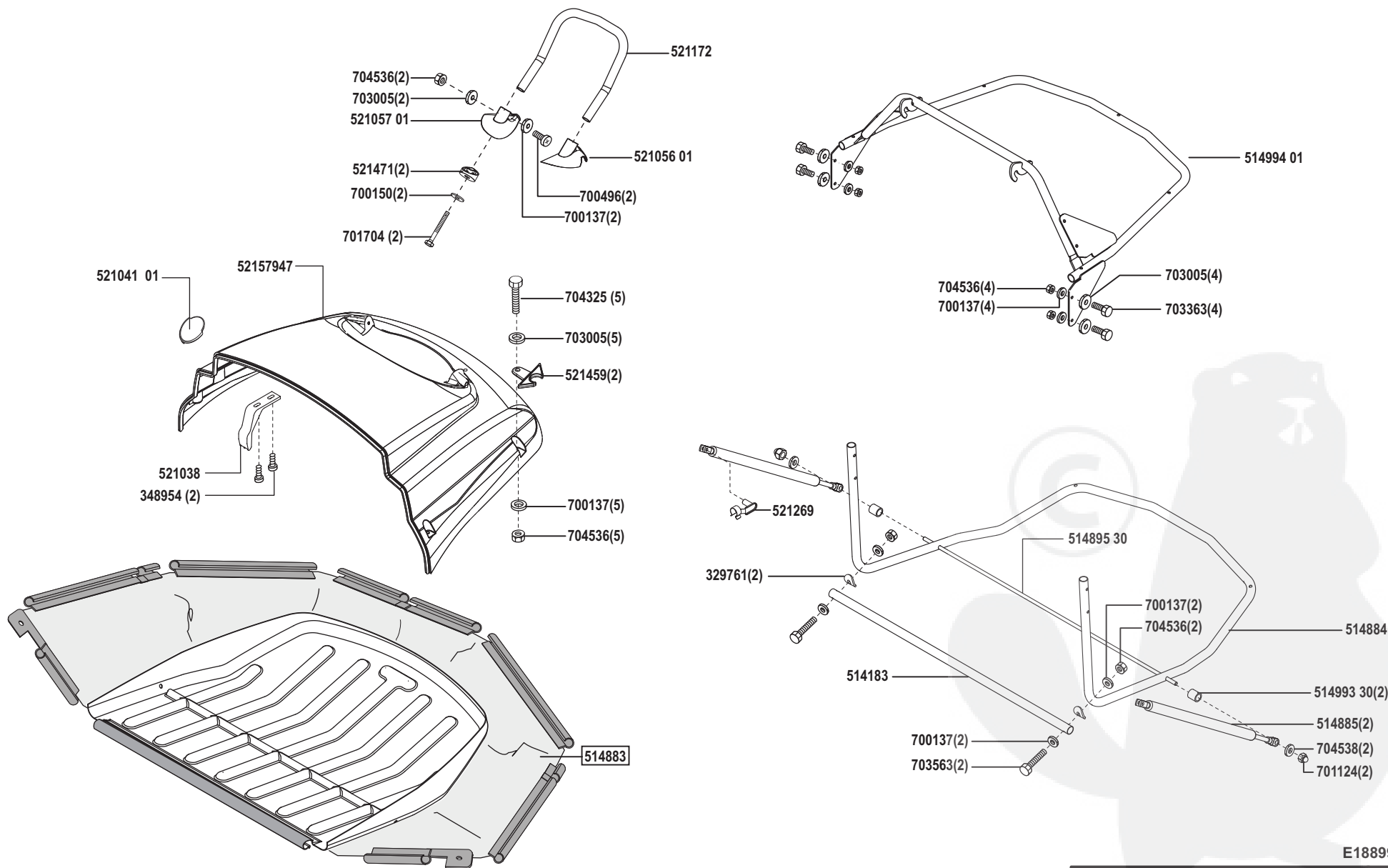


E18899-6

|   |   |   |   |   |   |
|---|---|---|---|---|---|
| a | b | c | d | e | f |
|---|---|---|---|---|---|

# Crossover 92/13 H

Art. Nr. 65056 / 118899

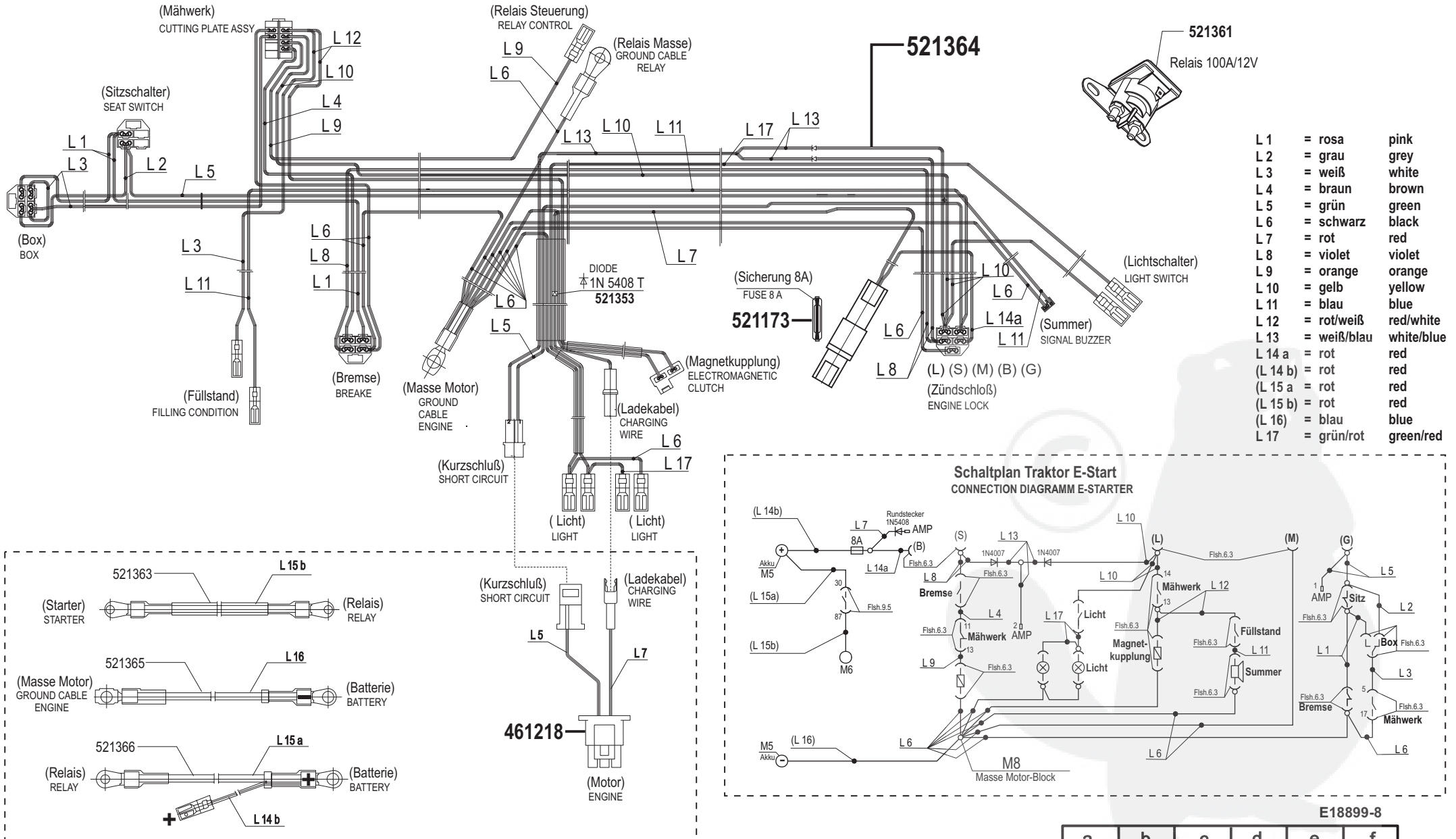


E18899-7

|   |   |   |   |   |   |
|---|---|---|---|---|---|
| a | b | c | d | e | f |
|---|---|---|---|---|---|

# Crossover 92/13 H

Art. Nr. 65056 / 118899



|          |             |            |
|----------|-------------|------------|
| L 1      | = rosa      | pink       |
| L 2      | = grau      | grey       |
| L 3      | = weiß      | white      |
| L 4      | = braun     | brown      |
| L 5      | = grün      | green      |
| L 6      | = schwarz   | black      |
| L 7      | = rot       | red        |
| L 8      | = violett   | violet     |
| L 9      | = orange    | orange     |
| L 10     | = gelb      | yellow     |
| L 11     | = blau      | blue       |
| L 12     | = rot/weiß  | red/white  |
| L 13     | = weiß/blau | white/blue |
| L 14 a   | = rot       | red        |
| (L 14 b) | = rot       | red        |
| (L 15 a) | = rot       | red        |
| (L 15 b) | = rot       | red        |
| (L 16)   | = blau      | blue       |
| L 17     | = grün/rot  | green/red  |

|   |   |   |   |   |   |
|---|---|---|---|---|---|
| a | b | c | d | e | f |
|---|---|---|---|---|---|