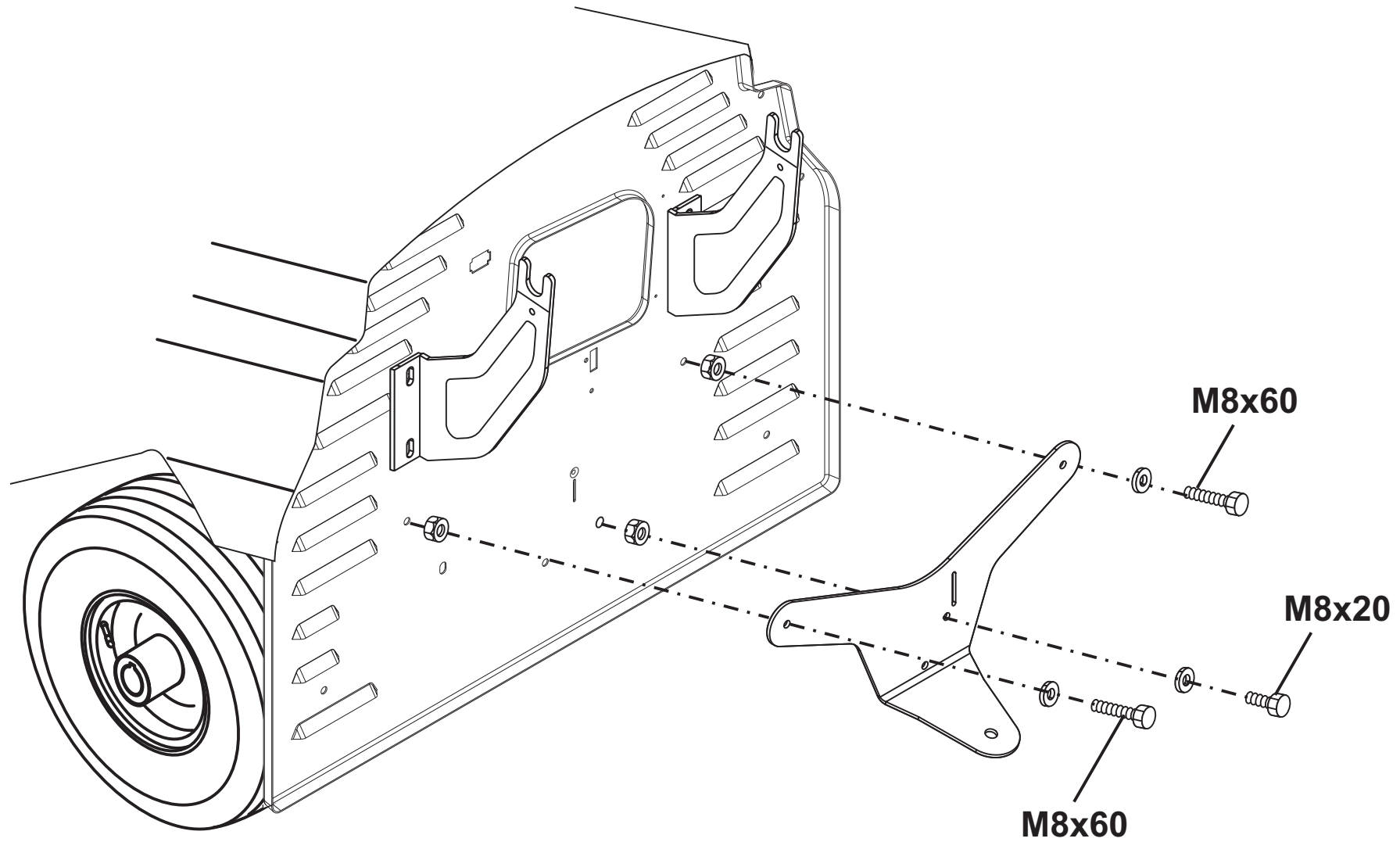


# Anhängervorrichtung

Art. Nr.110 813



527811

a	b	c	d	e	f
---	---	---	---	---	---