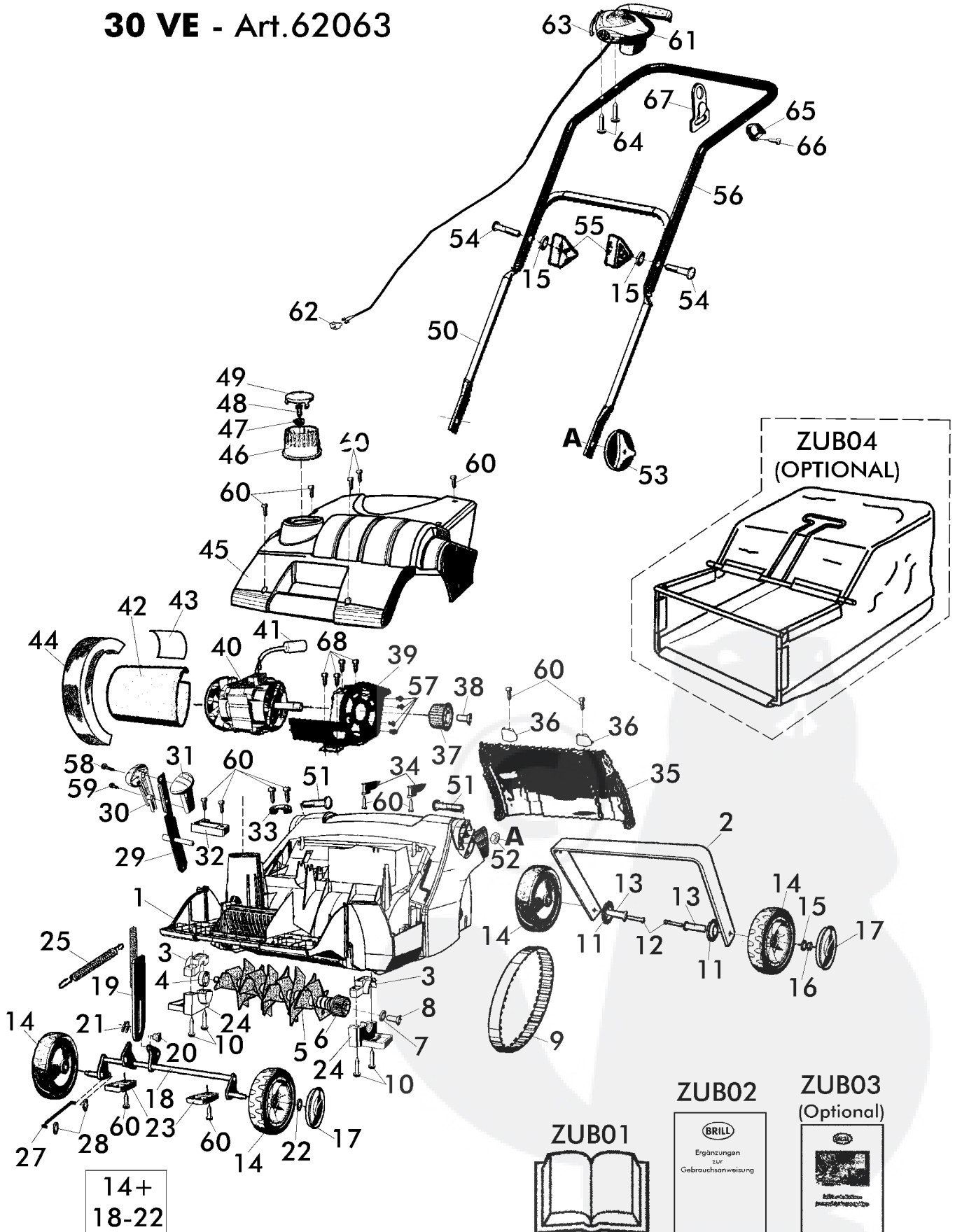



Elektro-VERTIKUTIERER
Electro-Scarifier
Scarificateur electric
30 VE - Art.62063



| 2/3 | ELEKTRO-VERTIKUTIERER | |  | 30 VE - Art. 62063 |
|------------------------------|-------------------------------------|---------------------------------------|--|------------------------|
| 2005 | Electric Scarifiers | | | |
| Rev20051212 | Sacificateur electique | | | |
| Bild Nr. REF.N° POS.N° | BEST.-NR. PART-N° N° d. PIECE | BEZEICHNUNG | DESCRIPTION | Anzahl Qty. Qte. |
| 1 | 13674 | Boden grün | Ground chassis | 1 |
| 2 | 13609 | Versteifungsbügel | Support Bracket | 1 |
| 3 | 13618 | Lagerschale | Bearing scale | 2 |
| 4 | 13811 | Kugellager 32*15*9 6002.2RS | Ball bearing | 1 |
| 5 | 14743 | Werkzeugachse kpl 30 (13M) | Scarifier tool axle assy 30 complete (13M) | 1 |
| 6 | 14528 | Riemenscheibe D | Tooth-pulley D | 1 |
| 7 | 06842 | Scheibe A8,4 | Washer A 8,4 | 1 |
| 8 | 13823 | Zylinderschraube M8x20 | Screw M8x20 | 1 |
| 9 | 14529 | Zahnflachriemen 5M-500-15 | Tooth belt 5M-500-15 | 1 |
| 10 | 13619 | Lib-Schraube ISO7049-st 6,3*38-C-Torx | Screw ISO7049-st 6,3*38-C-Torx | 4 |
| 11 | 13615 | Achslagerscheibe | Axle bearing washer | 2 |
| 12 | 06549 | Schraube M8x55 DIN603 VERZ | Screw M8x55 DIN 603 | 2 |
| 13 | 13626 | Lagerbuchse | Bush bearing | 2 |
| 14 | 13860 | Laufrad 172 kpl | Wheel 172 cpl. | 4 |
| 15 | 06465 | SCHEIBE A8,4 DIN125-ST VERZ | Washer A8,4 DIN125 | 4 |
| 16 | 06684 | SKT-MUTTER M 8 DIN985-8 VERZ | Hex. Nut M 8 DIN985-8 | 2 |
| 17 | 12947 | Radkappe 172 | Wheel cap 172 | 4 |
| 14+ 18-22 | 13637 | Vorderachse komplett montiert | Front axle assy. Cpl. | 1 |
| 18 | 13638 | Vorderachse, lose | Front axle | 1 |
| 19 | 13645 | Höhenverstellung kpl | Height adjustment cpl. | 1 |
| 20 | 13625 | Bolzen | Bolt | 1 |
| 21 | 10065 | Sicherungsring 12*1 DIN471 ROH | Circlip 12*1 DIN471 | 1 |
| 22 | 14013 | Starlock,Schnellbef.Ø12/399417 | Starlock Ø12/ | 2 |
| 23 | 13616 | Achshalter | Axle clamp | 2 |
| 24 | 13648 | Abdeckung | Tool axle cover | 2 |
| 25 | 13607 | Zugfeder | Tension spring | 1 |
| 27 | 13667 | Zugstange verz. | Tension rod | 1 |
| 28 | 13689 | Starlock, Schnellbef Ø5/399408 | Starlock Ø5 | 2 |
| 29 | 13691 | Transportstellhebel kpl | Adjustment lever assy. | 1 |
| 30 | 14006 | Höhenverstellgriff rts | Adjustment grip R.H. | 1 |
| 31 | 14007 | Höhenverstellgriff lks | Adjustment grip L.H. | 1 |
| 32 | 13684 | Lagerbock | Bearing block | 1 |
| 33 | 13922 | Kabelklemme | Cable clamp | 1 |
| 34 | 14730 | Einführung schwarz | Insert guide black | 2 |
| 35 | 14846 | Heckklappe kpl. | Rear flap assy. | 1 |
| 36 | 13669 | Klappenlager | Flap fastener | 2 |
| 37 | 14527 | Riemenscheibe Kst | Plastic-Pulley | 1 |
| 38 | 13818 | Senkschraube DIN EN ISO 10642 M10* | Countersink DIN EN ISO 10642 M10 | 1 |
| 39 | 13658 | Motorblech | Engine support | 1 |
| 40 | 13885 | E-Motor 1200 W | Electric motor 1200 W | 1 |
| 41 | 14004 | Kondensator 16 µF | Condenser 16 µF | 1 |
| 42 | 13916 | Lüfführung | Air guide | 1 |
| 43 | 14283 | Gewebeband selbstklebend | Fabric tape | 0,3 |
| 44 | 14282 | Schaumstoffzuschnitt | Foam | 1 |
| 45 | 13663 | Deckel | Cover | 1 |
| 46 | 13601 | Drehknopf | Adjusting knob | 1 |
| 47 | 06464 | SCHEIBE A6,4 DIN125 VERZ | Washer A6,4 DIN125 | 1 |
| 48 | 13828 | Zylinderschraube DIN 7984 M6*10 8.8 | Screw DIN 7984 M6*10 8.8 | 1 |
| 49 | 13602 | Kappe Drehknopf | Cover plate | 1 |
| 50 | 14758 | Gestänge-Unterteil gep.RAL7021 | Lower handle bar RAL7021 | 1 |
| 51 | 14759 | Schraube DIN 603--M8x60 | Screw DIN 603-8x60 | 2 |
| 52 | 06493 | SKT-MUTTER BM8 DIN 439 VERZ | Nut BM8 DIN 439 | 2 |
| 53 | 14009 | GELENKSPANNGRIF | Tension grip | 2 |

| 3/3 | ELEKTRO-VERTIKUTIERER | |  | 30 VE - Art. 62063 |
|------------------------------|-------------------------------------|---------------------------------------|--|------------------------|
| 2005 | Electric Scarifiers | | | |
| Rev20051212 | Sacificateur electique | | | |
| Bild Nr. REF.N° POS.N° | BEST.-NR. PART-N° N° d. PIECE | BEZEICHNUNG | DESCRIPTION | Anzahl Qty. Qte. |
| 54 | 09191 | FORMSCHRAUBE M8*47 N ZG | Special screw 8x47 | 2 |
| 55 | 08288 | HOLMSPANNGRIFF | Knob | 2 |
| 56 | 14748 | Gestänge-Oberteil | Upper handle bar | 1 |
| 57 | 13817 | Linsenschraube ISO7380 M8x12 8.8 verz | Screw ISO7380 M8x12 8.8 | 4 |
| 58 | 09864 | LIB-Schraube B4,2*19 DIN7981 | Screw B4,2*19 DIN7981 | 1 |
| 59 | 06820 | LIB-Schraube B4,2*13 DIN7981 VERZ | Screw B4,2*13 DIN7981 | 1 |
| 60 | 10268 | LIB-Schraube 4,8*19 DIN7981 VERZ | Screw 4,8*19 DIN7981 | 16 |
| 61 | 14584 | Totmannschalter 5513 | Death-man switch 5513 | 1 |
| 62 | 10988 | LPH Steckhülse natur | Push-on contact | 1 |
| 63 | 12577 | Abdeckung Schalter (sort.) | Switch cover | 1 |
| 64 | 11623 | PT Schraube K40*25 | PT Screw K40*25 | 2 |
| 65 | 11312 | Anschlag 22 | Stop 22 | 1 |
| 66 | 08722 | LIB-Schraube BZ 3,5*13 DIN7981 V2A | Screw BZ 3,5*13 DIN7981 V2A | 1 |
| 67 | 10962 | ZUGENTLASTUNG | Strain relief | 1 |
| 68 | 15072 | Schraube Remform 6x20 | Screw Remform 6x20 | 4 |
| | | ZUBEHÖR | ACCESSORIES | |
| ZUB01 | 13666 | Gebrauchsanweisung 62063/62064 | Instruction for use 62063/62064 | 1 |
| ZUB02 | 14060 | GAW Ergänzung 62063/62064 | Added Instruction 62063/62064 | 1 |
| ZUB03 | 00563 | Brill-Service-Verzeichnis (Optional) | Brill Service Booklet (optional) | 1 |
| ZUB04 | 62073 | Fangsack 30+32VE verp (Optional) | Grass Catcher lawn-aerators unit 30/32 VE | 1 |

