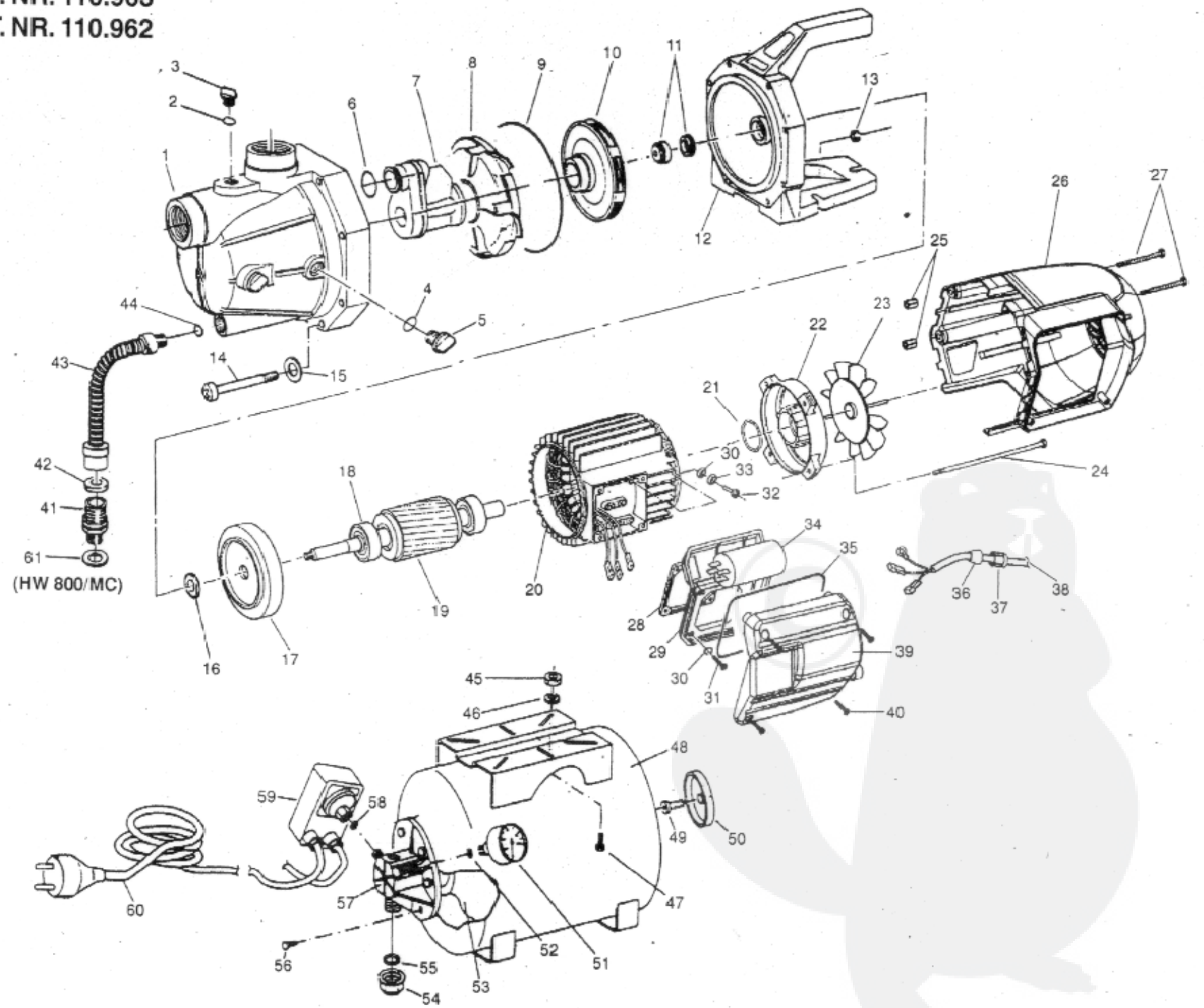


HW 800/MC ART. NR. 110.963
HW 1000/MC ART. NR. 110.962



HW 800/MC - HW 1000/MC

Ref.	ET-NR	Modell	Ref.	ET-NR	Modell
1	<u>409.581</u>		32	409.578	
2	<u>406.090</u>		33	700.959	
3	406.089		34	407.563	HW 800/MC
4	<u>406.094</u>		34	406.113	HW 1000/MC
5	406.093		35	<u>409.630</u>	
6	<u>406.095</u>		36	<u>406.129</u>	
7	407.565	HW 800/MC	37	406.130	
7	406.096	HW 1000/MC	38	407.580	HW 800/MC
8	<u>406.097</u>		38	407.509	HW 1000/MC
9+11	409.557		39	409.633	
10	<u>407.564</u>	HW 800/MC	40	406.116	
10	<u>406.100</u>	HW 1000/MC	41	407.516	HW 800/MC
12	406.101		41	407.665	HW 1000/MC
13	406.102		42	<u>407.579</u>	HW 800/MC
14	406.091		42	<u>409.532</u>	HW 1000/MC
15	406.092		43	406.136	HW 800/MC
16	406.104		43	407.663	HW 1000/MC
17	409.580	HW 800/MC	44	<u>406.135</u>	HW 800/MC
17	406.103	HW 1000/MC	44	<u>406.094</u>	HW 1000/MC
18	700.345	HW 800/MC	45	700.121	
18	406.105	HW 1000/MC	46	700.150	
19	407.562	HW 800/MC	47	701.494	
19	409.552	HW 1000/MC	48	<u>406.146</u>	
20	409.642	HW 800/MC	49	406.147	
20	409.625	HW 1000/MC	50	409.586	
21	405.923	HW 800/MC	51	406.142	
21	406.122	HW 1000/MC	52	<u>406.094</u>	
22	407.506	HW 800/MC	53	<u>406.145</u>	
22	406.123	HW 1000/MC	53	<u>406.684</u>	
23	409.641	HW 800/MC	54+55+57	407.512	
23	406.124	HW 1000/MC	56	407.513	
24	406.126		58	<u>407.511</u>	
25	409.626		59	<u>407.510</u>	
26	409.638		60	407.581	HW 800/MC
27	409.628		60	406.141	HW 1000/MC
28	<u>406.110</u>		61	<u>407.578</u>	HW 800/MC
29	409.639	HW 800/MC			
29	409.629	HW 1000/MC			
30	700.426				
31	406.114				

HW 1100/MC INOX - HW 1300/MC INOX

Ref.	ET-NR	Modell	Ref.	ET-NR	Modell
1	<u>407.500</u>		37	409.633	
2	<u>406.090</u>		38	406.116	
3	406.089		39	409.587	
4	<u>406.095</u>		40	<u>409.532</u>	
5	406.096	HW 1100	41	407.663	
5	406.152	HW 1300	42	<u>406.094</u>	
6	<u>406.097</u>		43	700.150	
7 + 9	406.098		44	700.121	
8	<u>406.100</u>	HW 1100	45	701.494	
8	<u>406.143</u>	HW 1300	46	406.146	HW 1100 - 1300
10	406.101		47	406.147	
11	406.102		48	409.586	
12	407.501		49	406.142	
13	409.634		50	406.094	
14	406.104		51	<u>406.145</u>	
15	406.103		51	<u>406.684</u>	
16	406.105		52+53+55	<u>407.512</u>	
17	409.552	HW 1100	54	407.513	
17	409.553	HW 1300	56	407.511	
18	409.625	HW 1100	57	<u>407.510</u>	
18	409.632	HW 1300	58	<u>406.141</u>	
19	406.122				
20	406.123				
21	406.124				
22	406.126				
23	409.626				
24	409.638				
25	409.628				
26	<u>406.110</u>				
27	409.629				
28	700.426				
29	406.114				
30	409.578				
31	700.959				
32	406.113	HW 1100			
32	406.149	HW 1300			
33	<u>409.630</u>				
34	<u>406.129</u>				
35	406.130				
36	407.509				