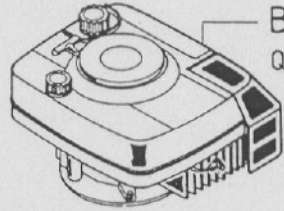
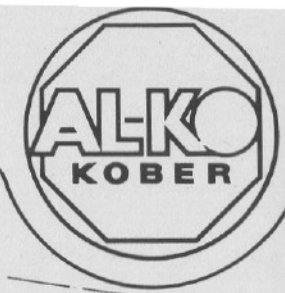


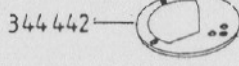
SUNLINE GL 480 BR

104903

F

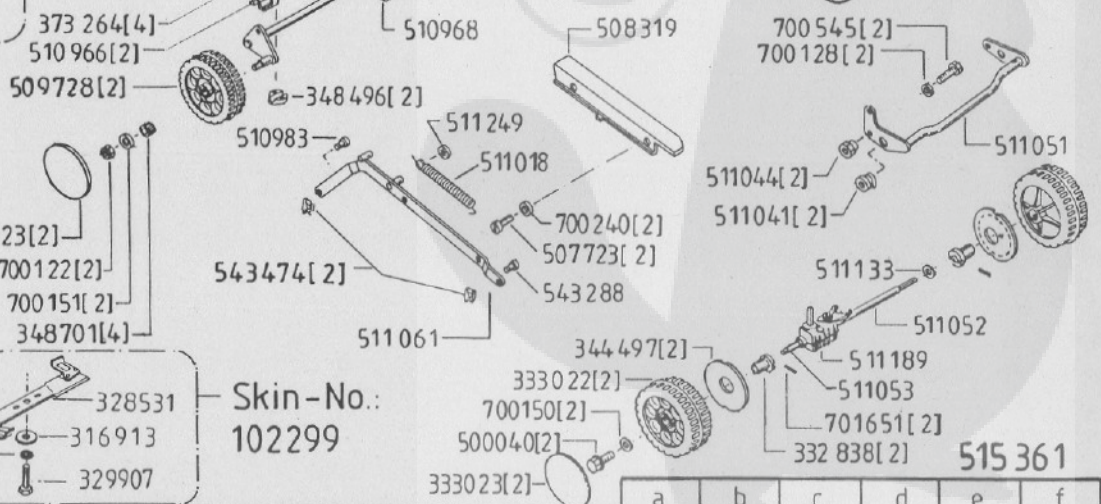
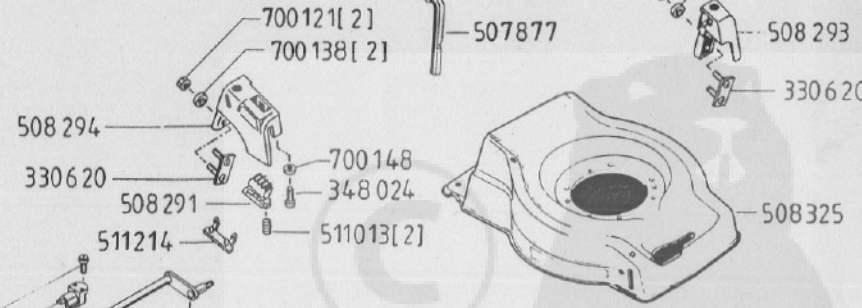
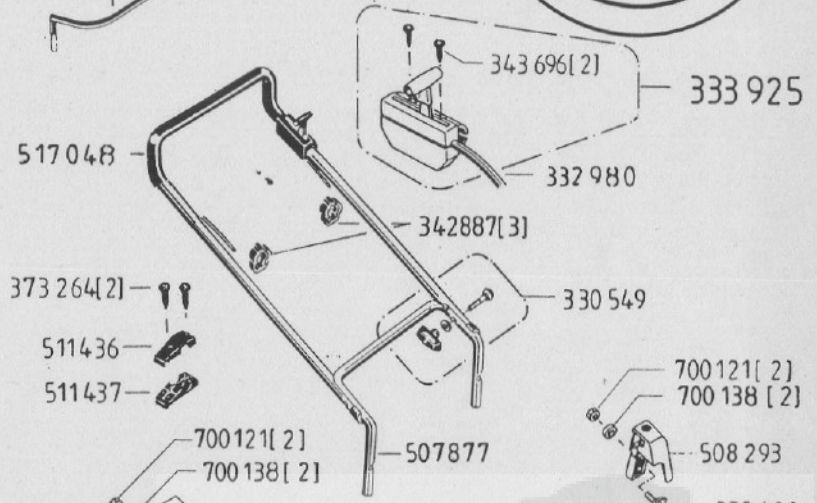
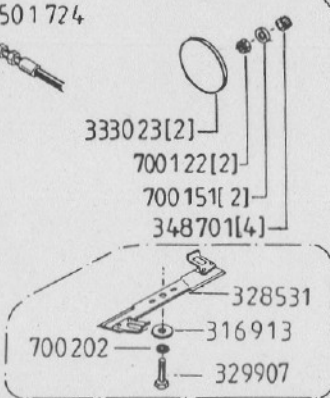
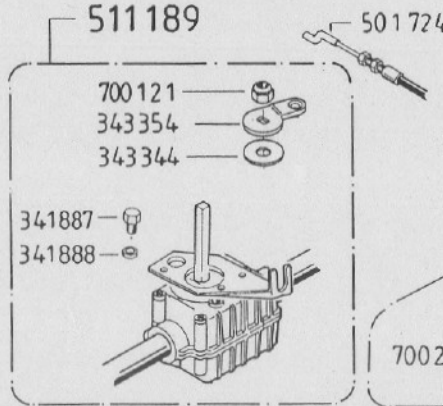
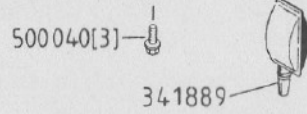
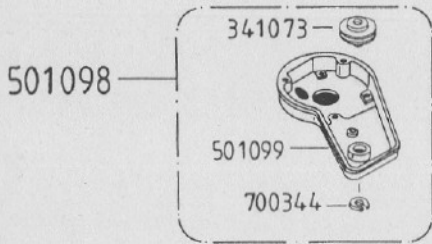
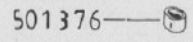
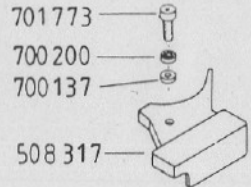
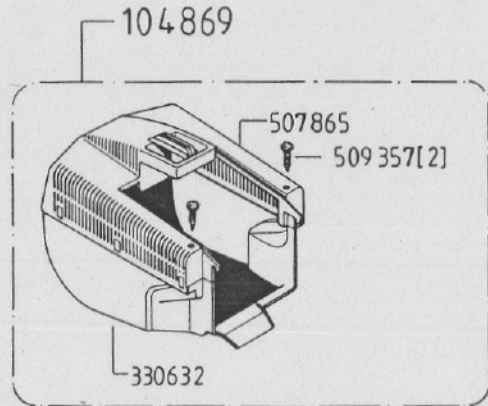
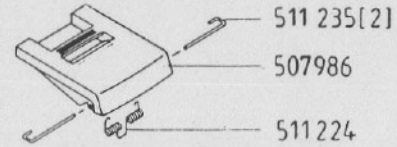


Briggs & Stratton
Quantum XM40
AL-KO-No.: 504796



- 500073 [2]
- 500072 [2]

- 700108
- 700128
- 329924
- 701321



Skin-No.:
102299

a	b	c	d	e	f
01/93	01/94	02/94			