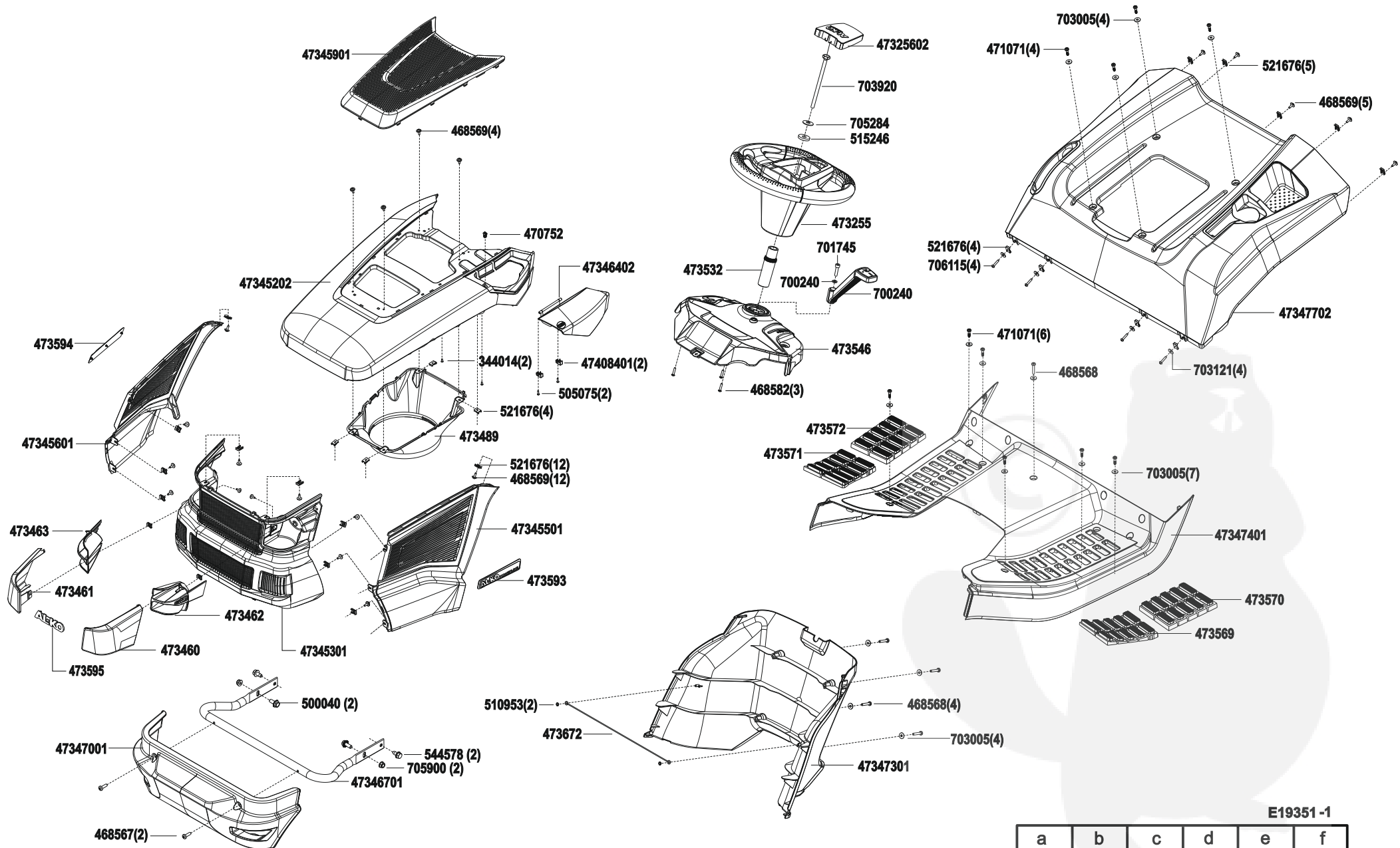


Powerline T 16-105.4 HD V2

Art. 119351

AL-KO



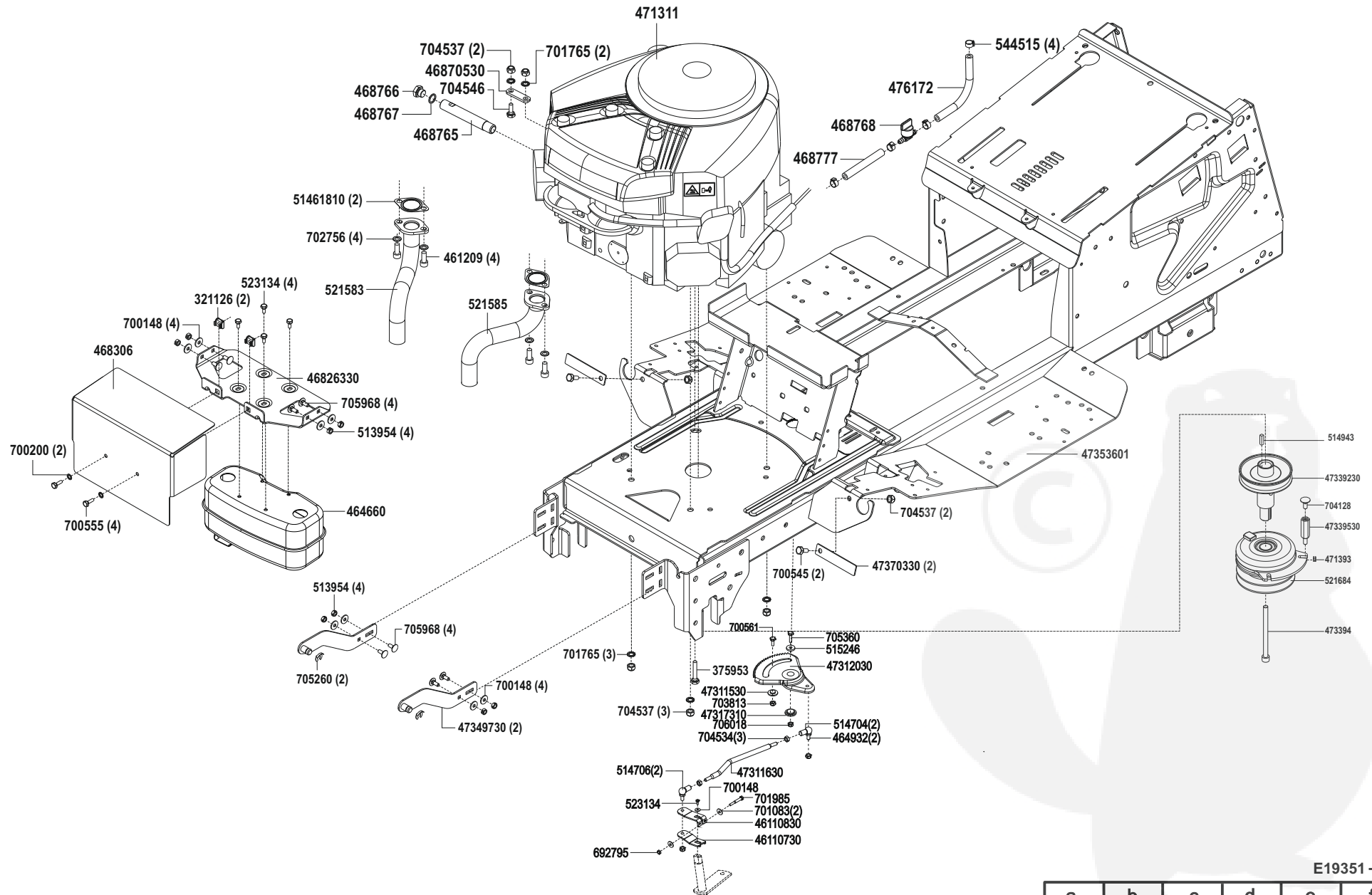
E19351-1

a	b	c	d	e	f
---	---	---	---	---	---

Powerline T 16-105.4 HD V2

Art. 119351

AL-KO



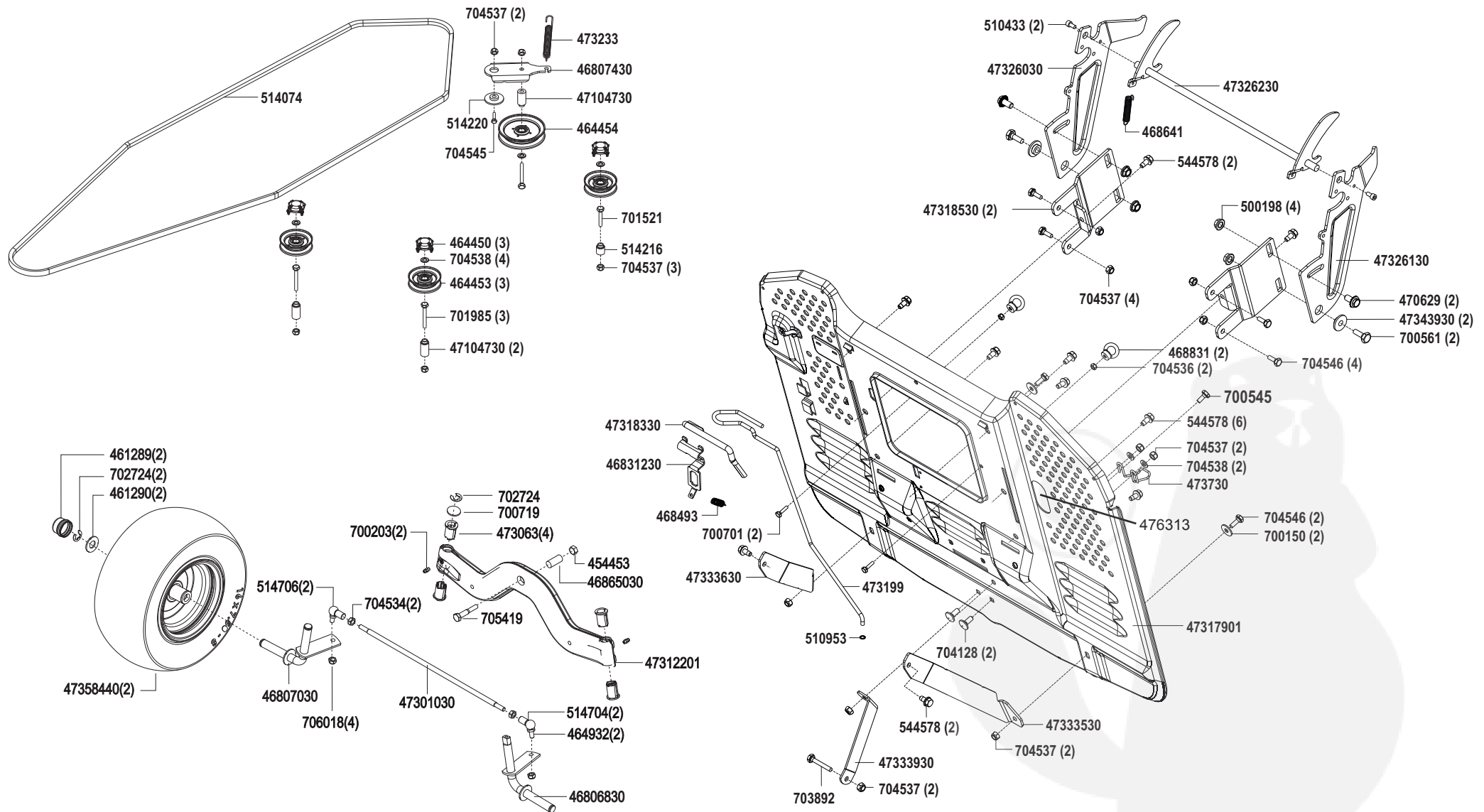
E19351-2

a	b	c	d	e	f
---	---	---	---	---	---

Powerline T 16-105.4 HD V2

Art. 119351

AL-KO



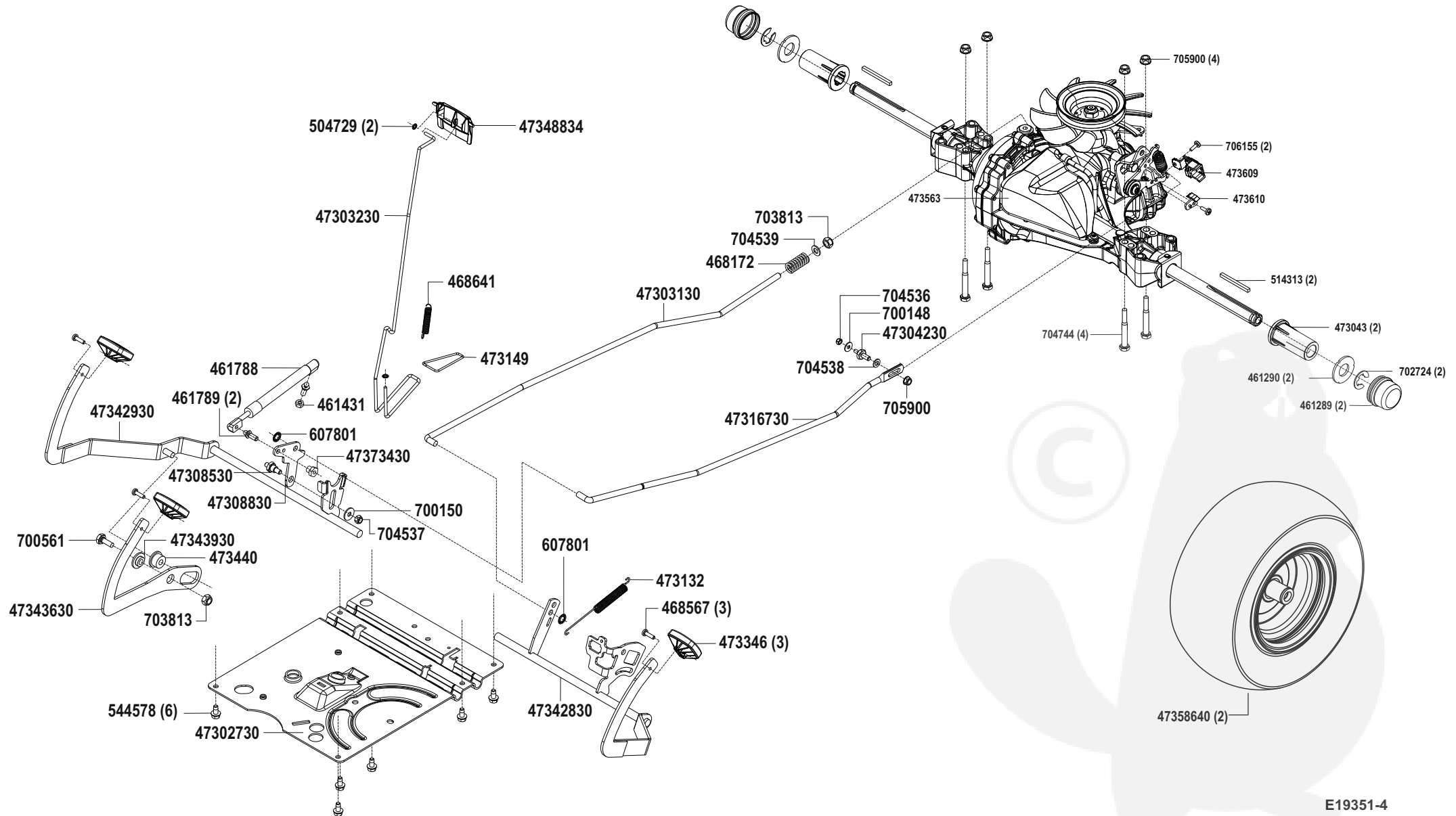
E19351-3

a	b	c	d	e	f
---	---	---	---	---	---

Powerline T 16-105.4 HD V2

Art. 119351

AL-KO



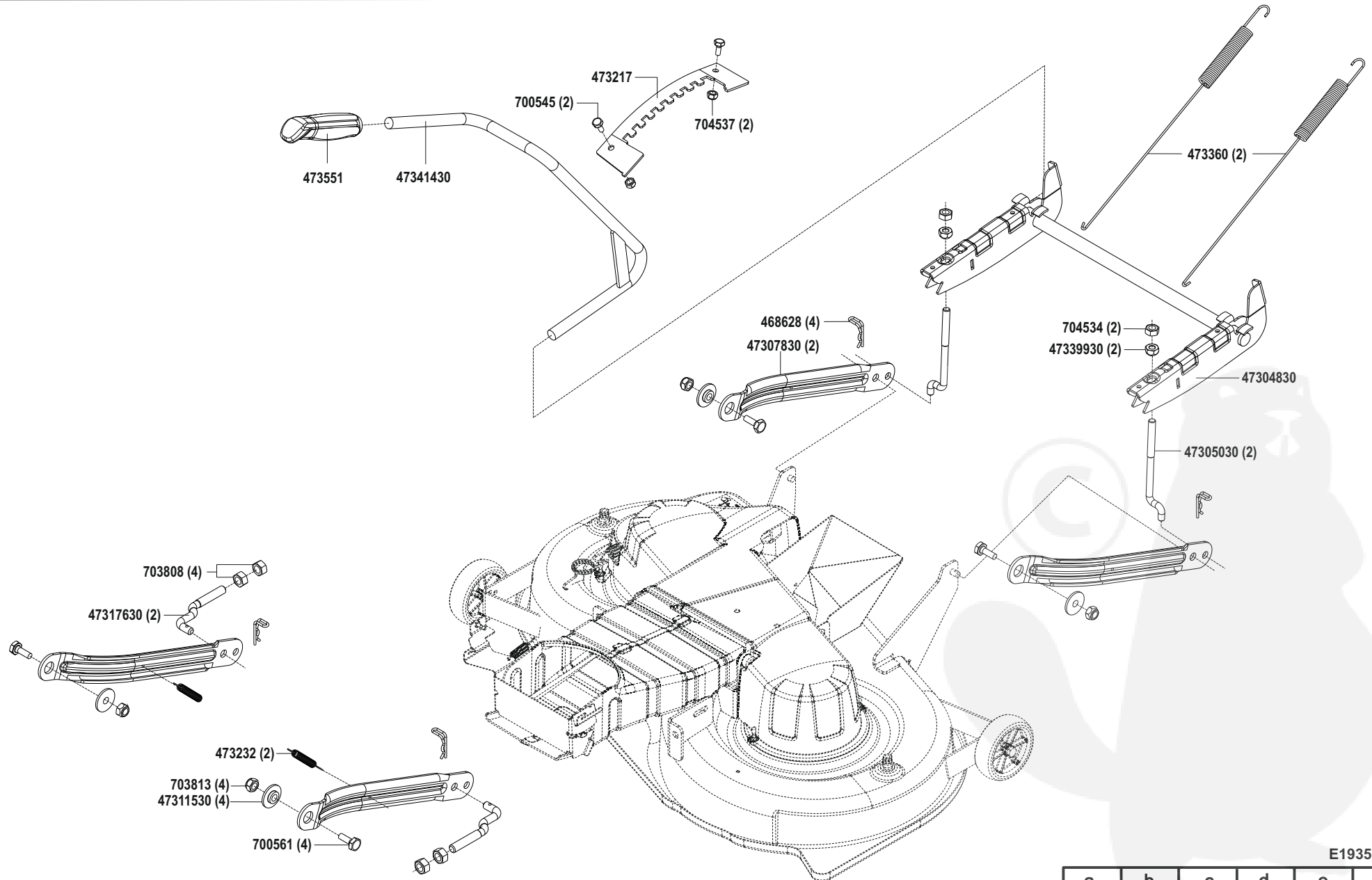
E19351-4

a	b	c	d	e	f
---	---	---	---	---	---

Powerline T 16-105.4 HD V2

Art. 119351

AL-KO



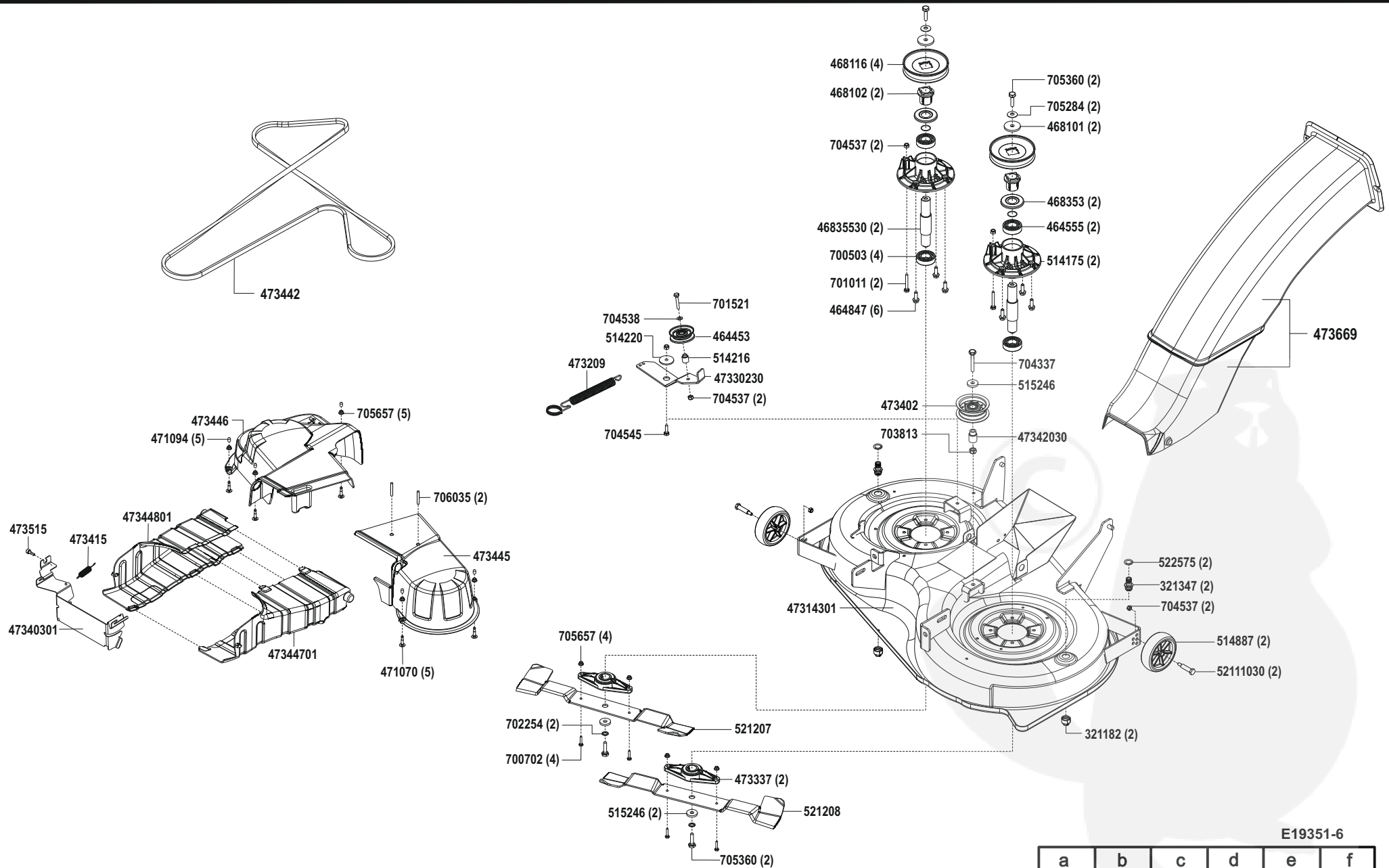
E19351-5

a	b	c	d	e	f
---	---	---	---	---	---

Powerline T 16-105.4 HD V2

Art. 119351

AL-KO



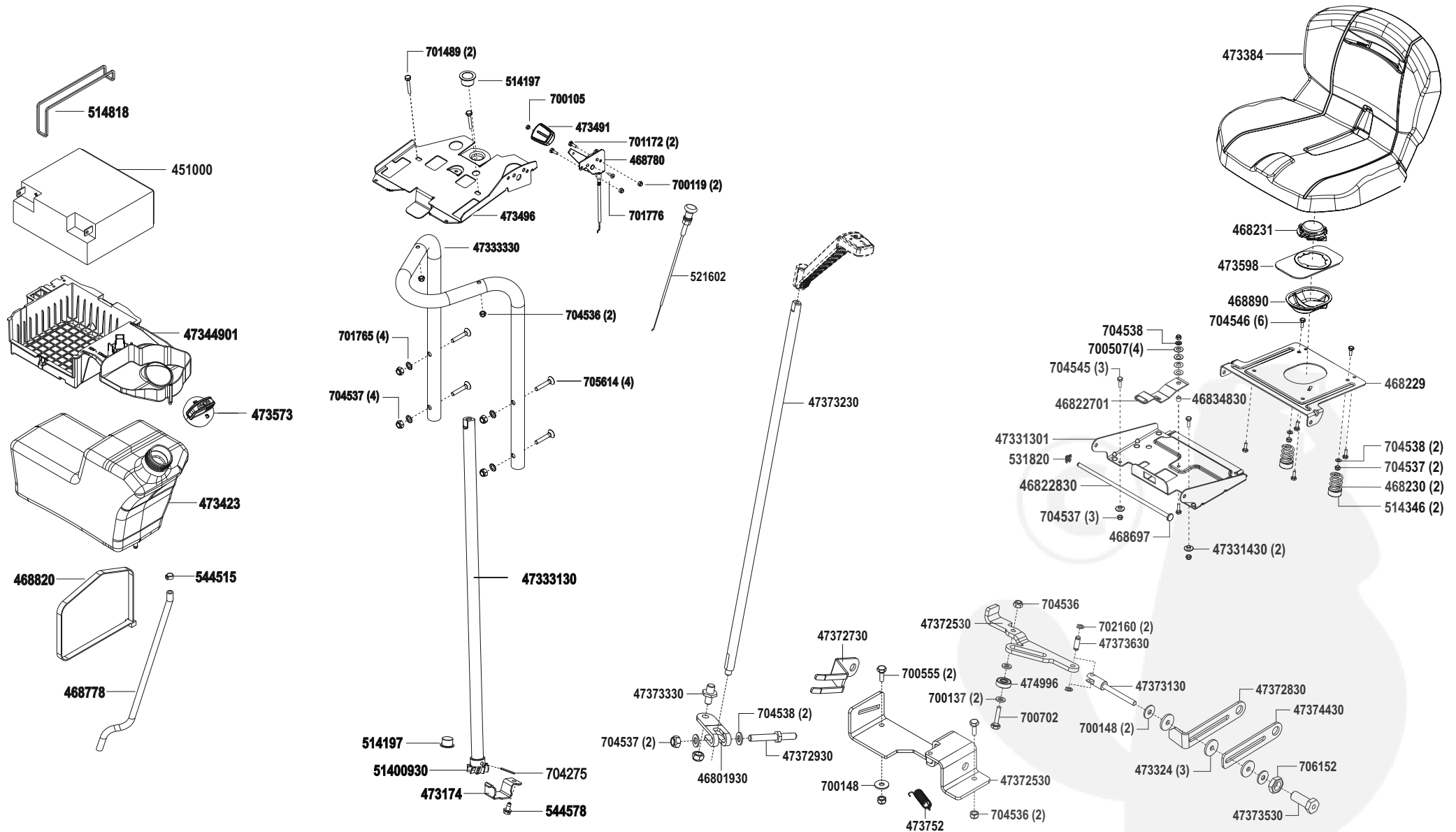
E19351-6

a	b	c	d	e	f
---	---	---	---	---	---

Powerline T 16-105.4 HD V2

Art. 119351

AL-KO



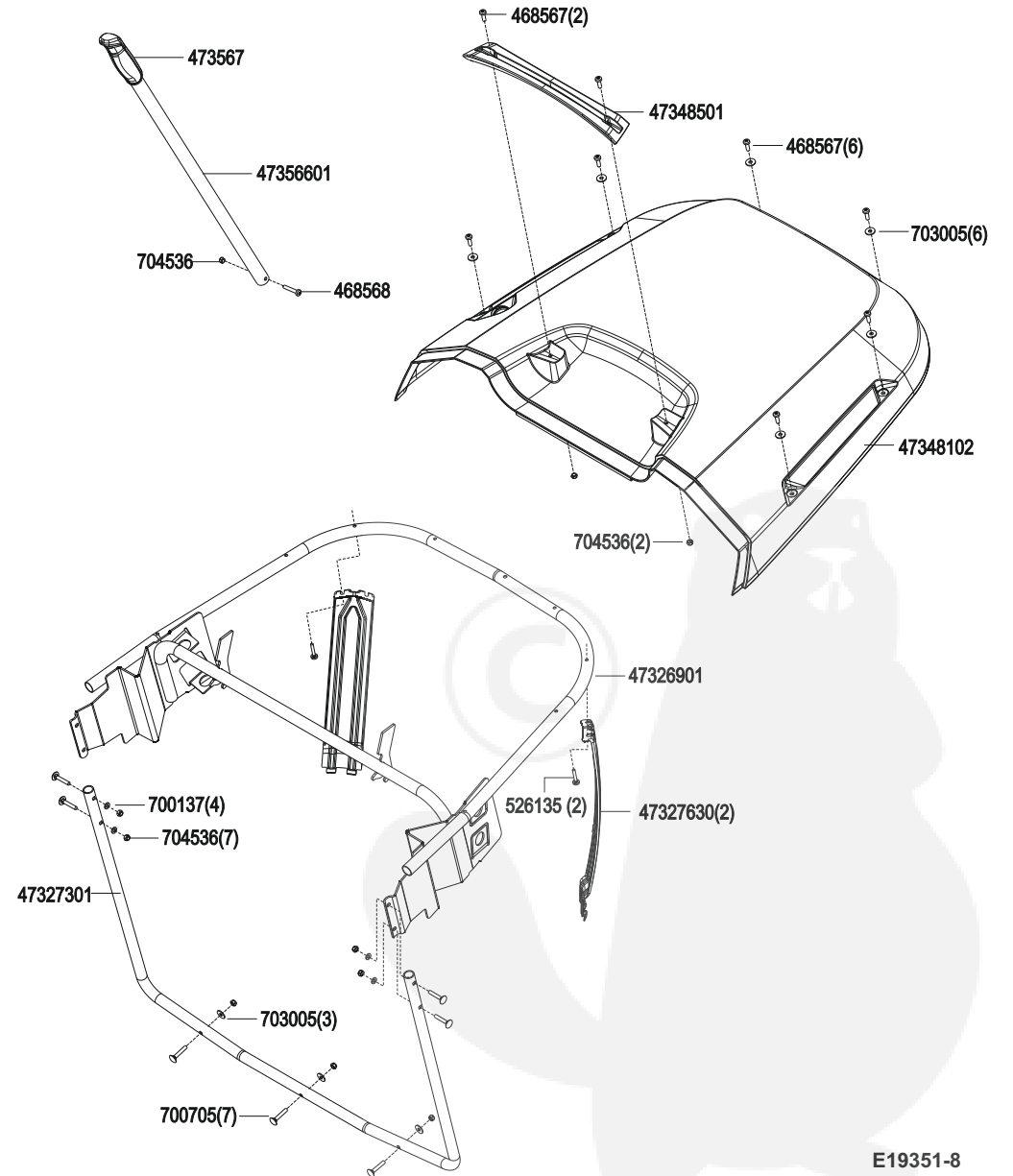
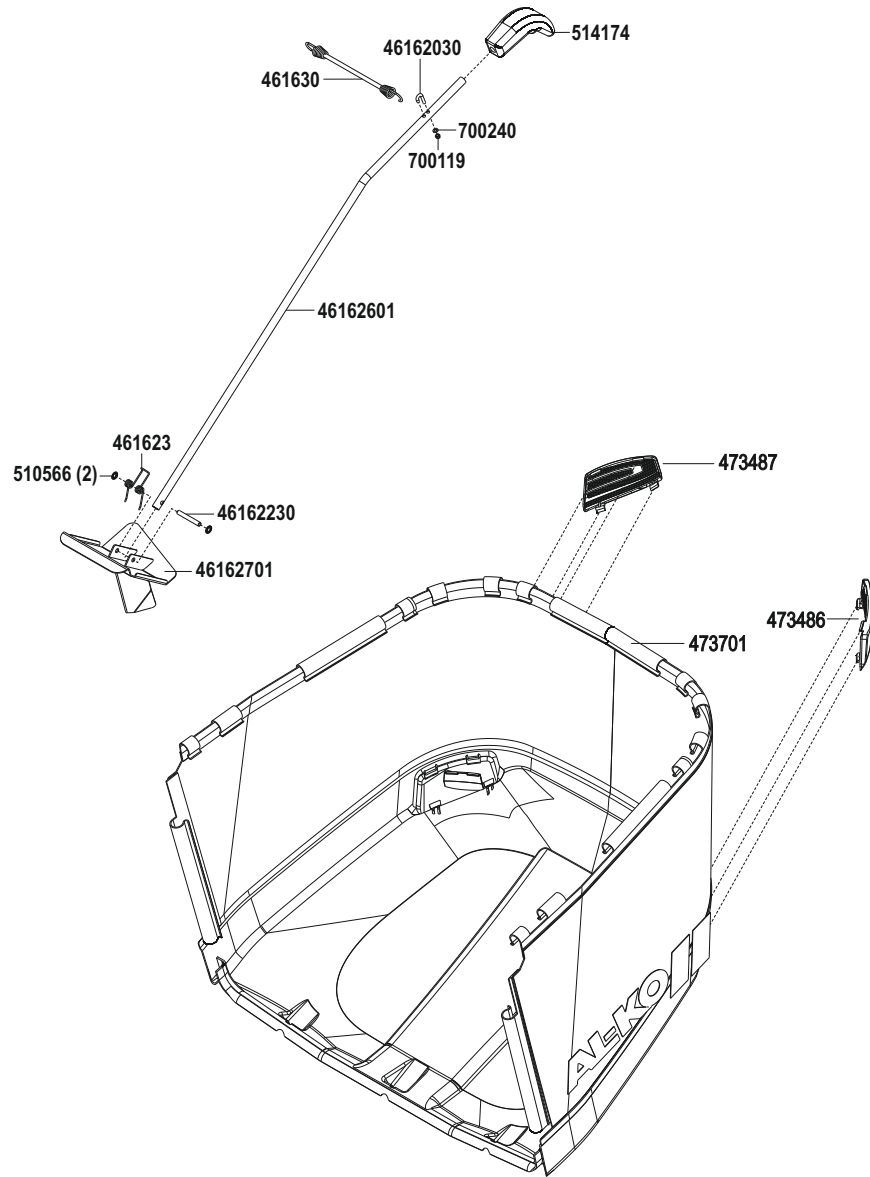
E19351-7

a	b	c	d	e	f
---	---	---	---	---	---

Powerline T 16-105.4 HD V2

Art. 119351

AL-KO



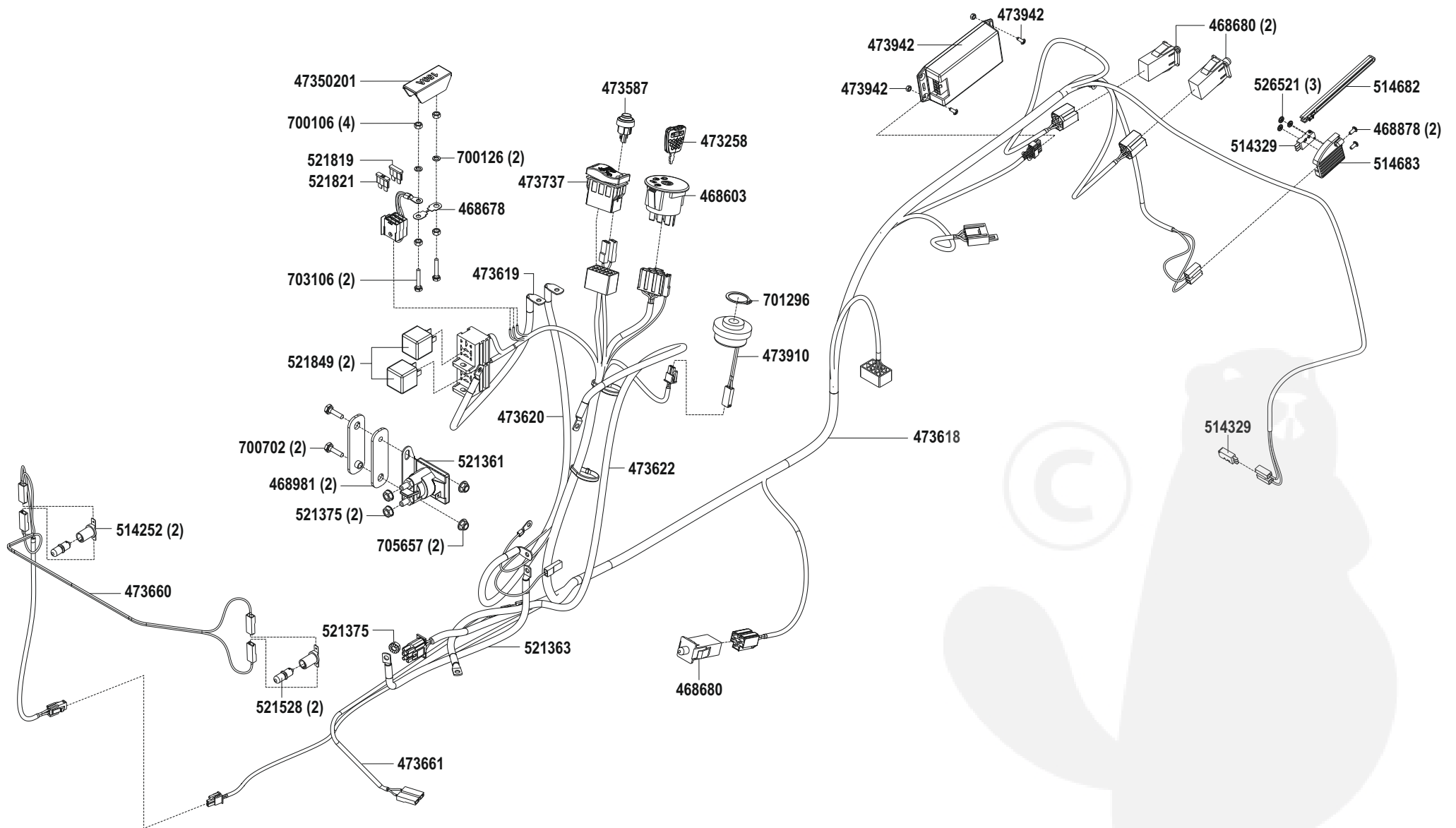
E19351-8

a	b	c	d	e	f
---	---	---	---	---	---

Powerline T 16-105.4 HD V2

Art. 119351

AL-KO



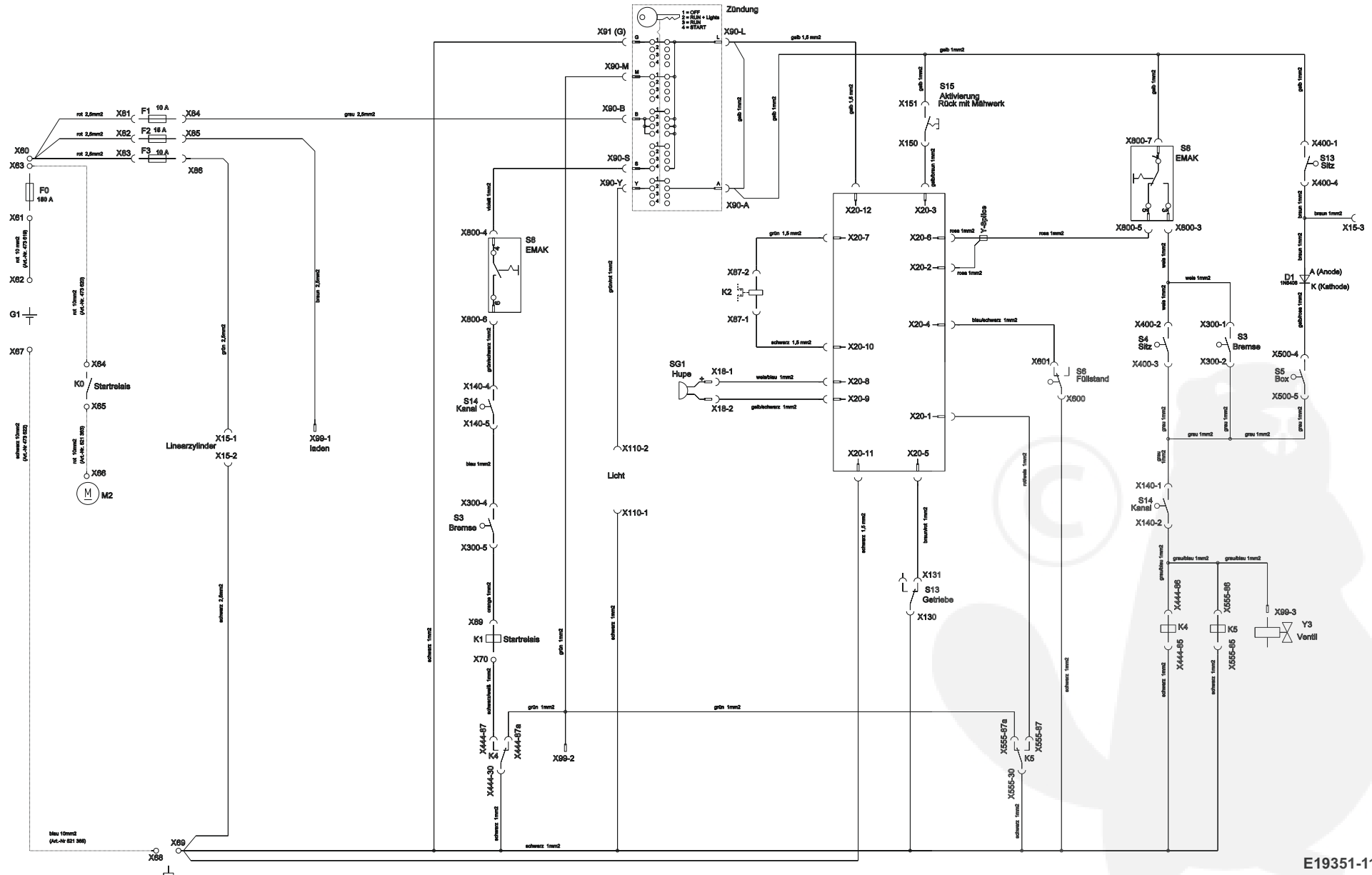
E19351-9

a	b	c	d	e	f
---	---	---	---	---	---

Powerline T 16-105.4 HD V2

Art. 119351

AL-KO



E19351-11

a	b	c	d	e	f
---	---	---	---	---	---