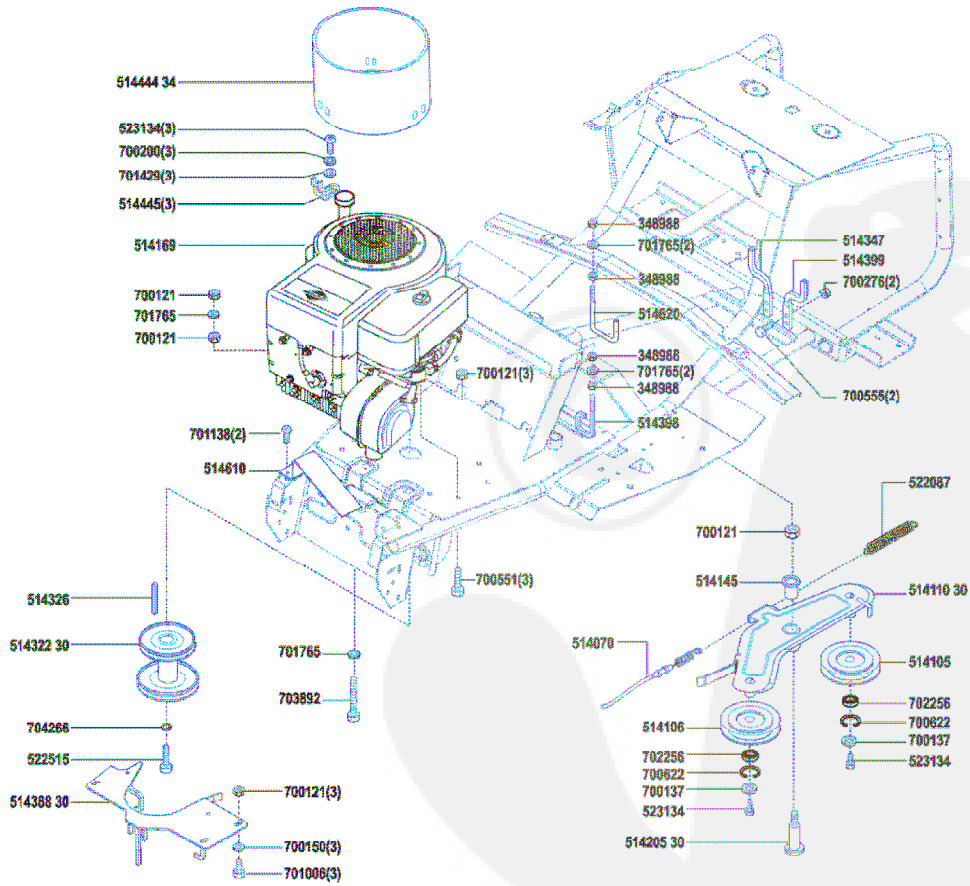
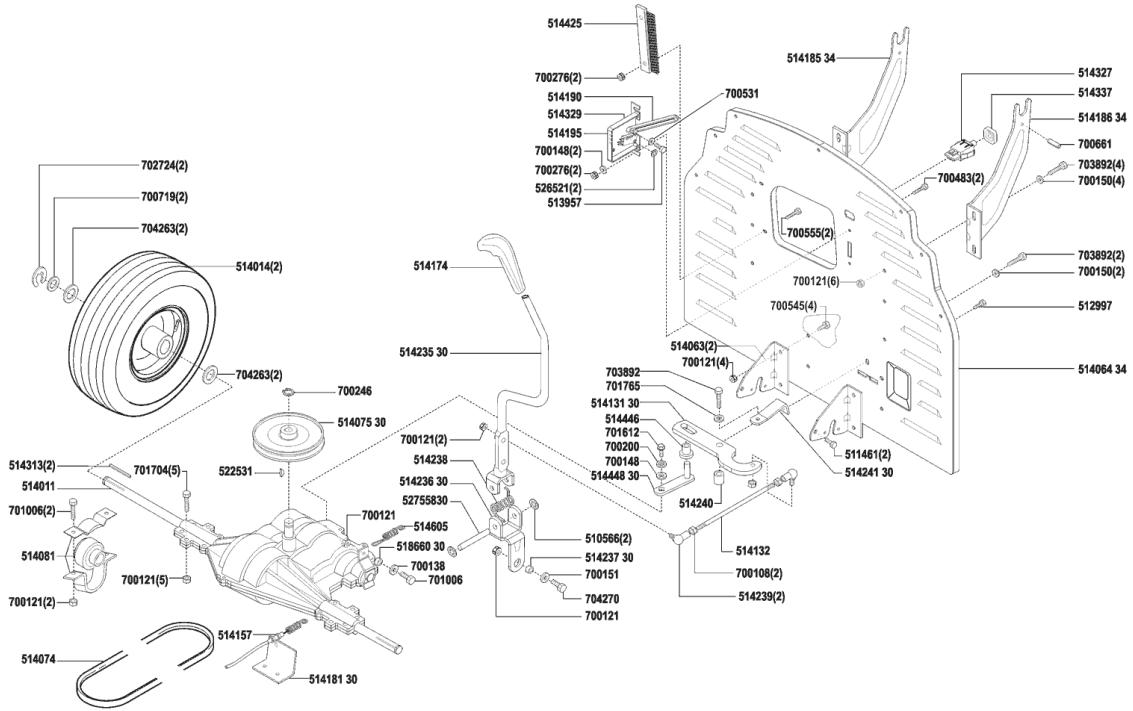
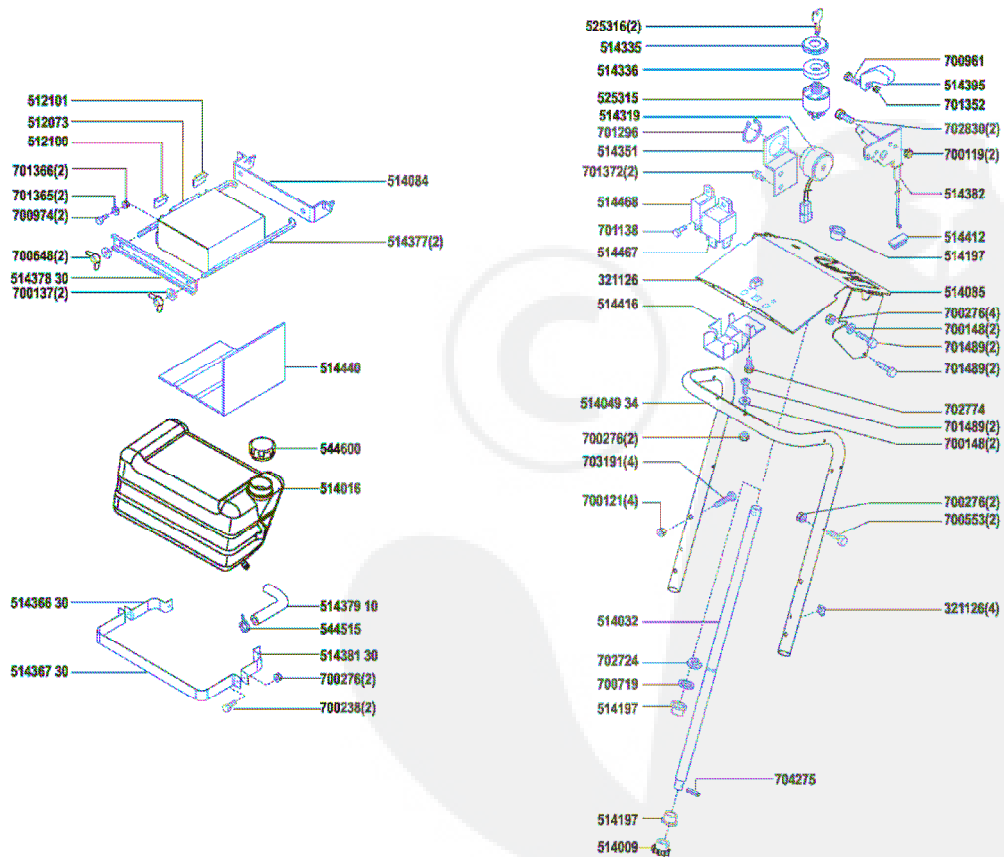
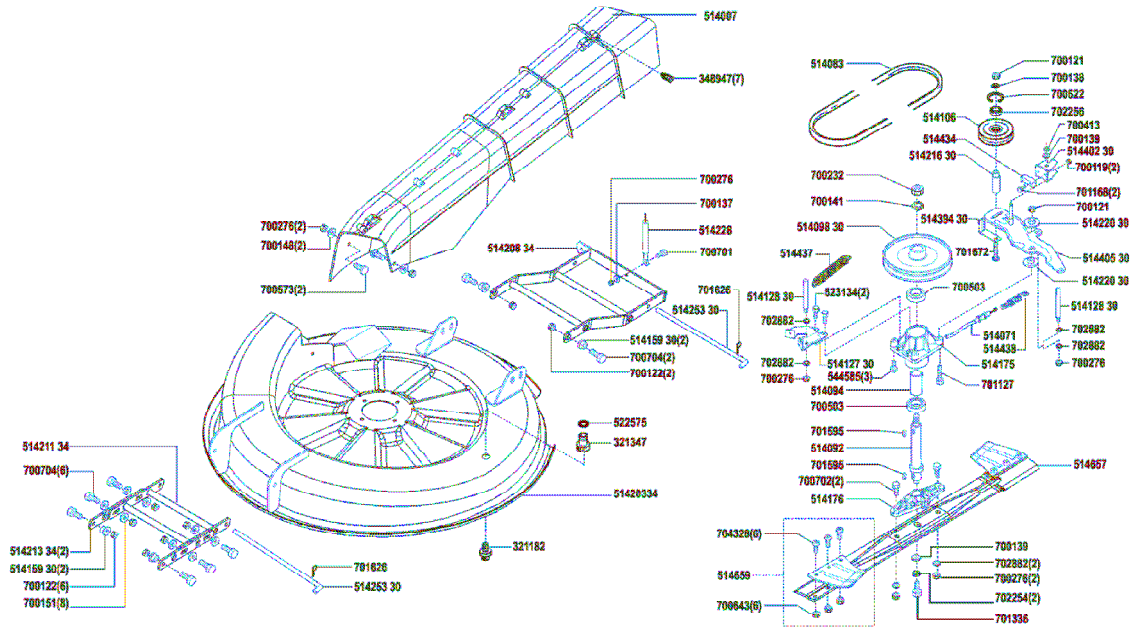


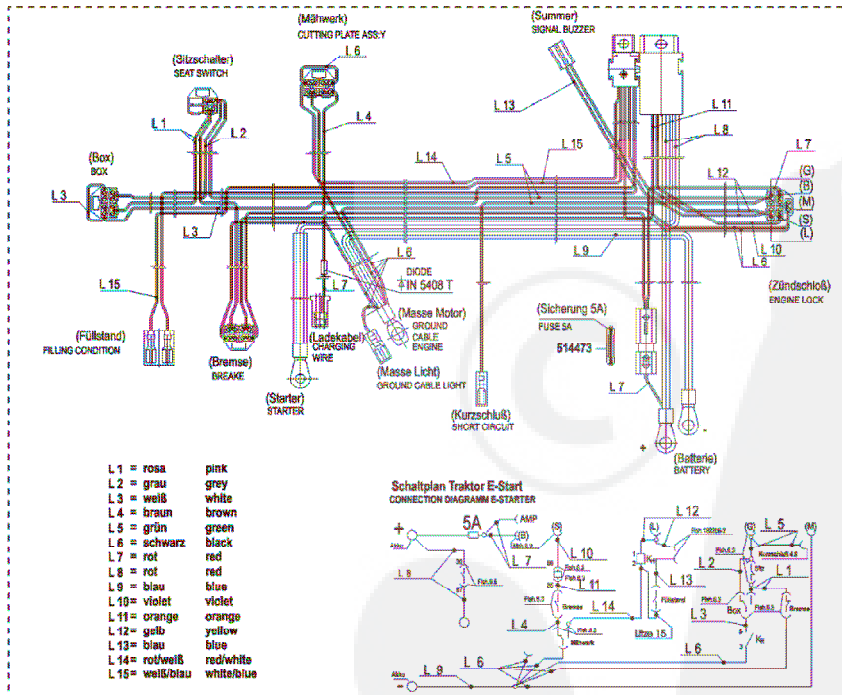
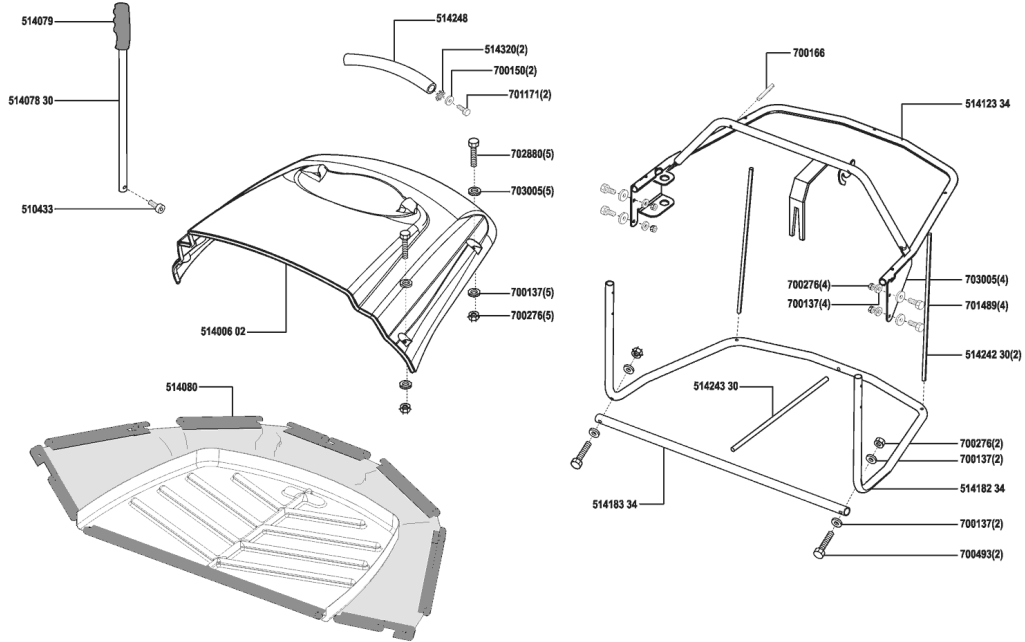
110724 – T11/75



110724 – T11/75



110724 – T11/75



514188