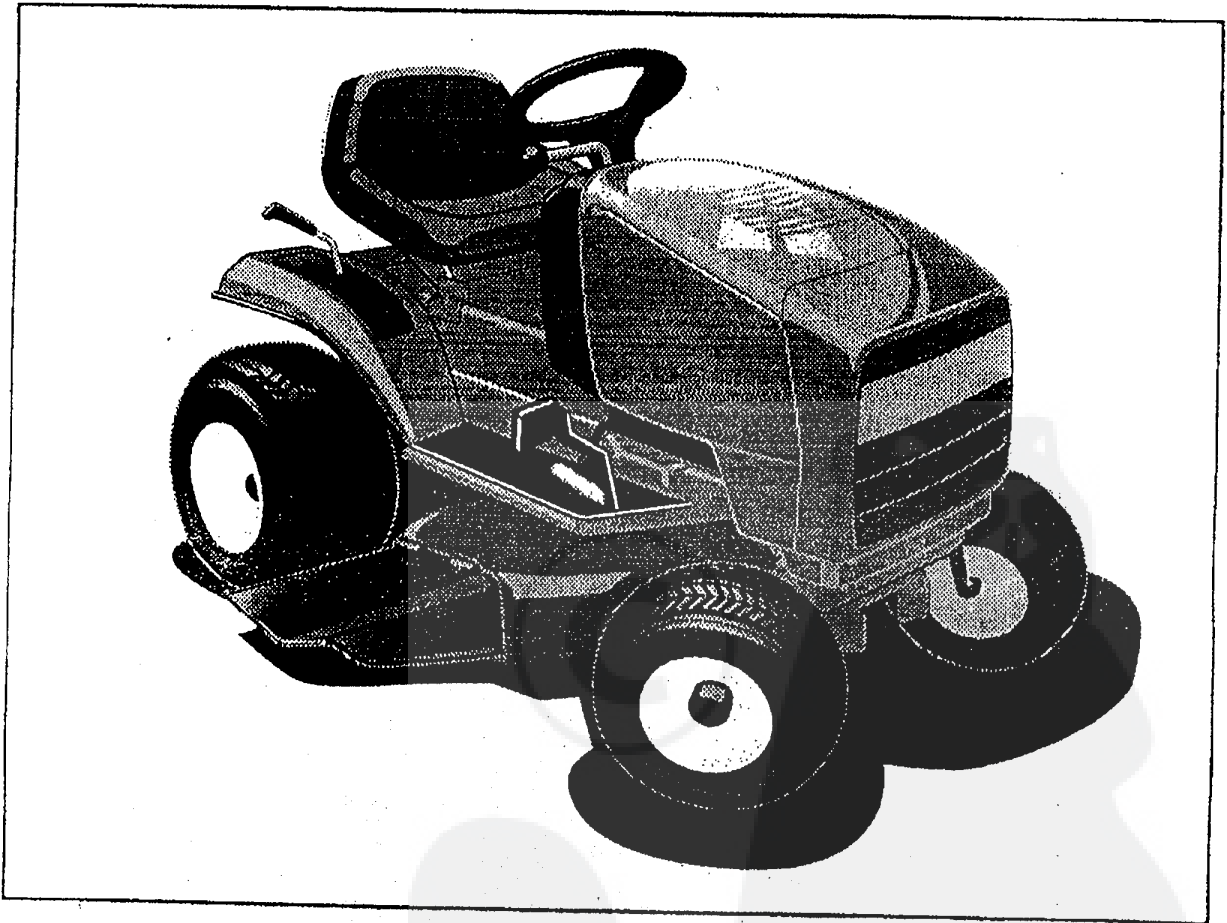


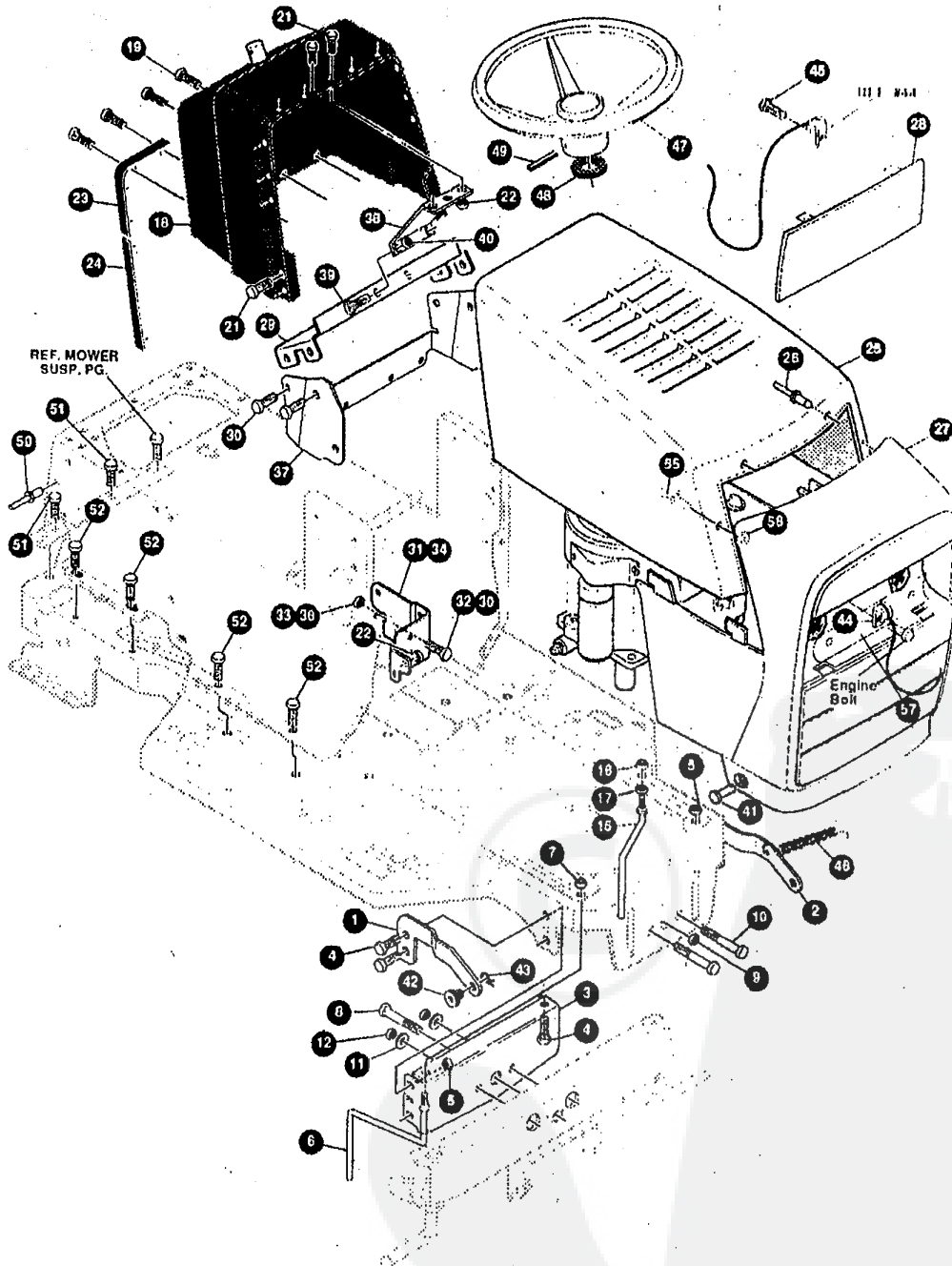
T13/102 SD = T12,5/102 Art.-No. 110.139



511.971 (28)

T13/102 SD

Art.-No. 110.139



511.971-4 (28)

a	b	c	d	e	f
12/94					

334844 A

T13/102 SD

Art.-No. 110.139



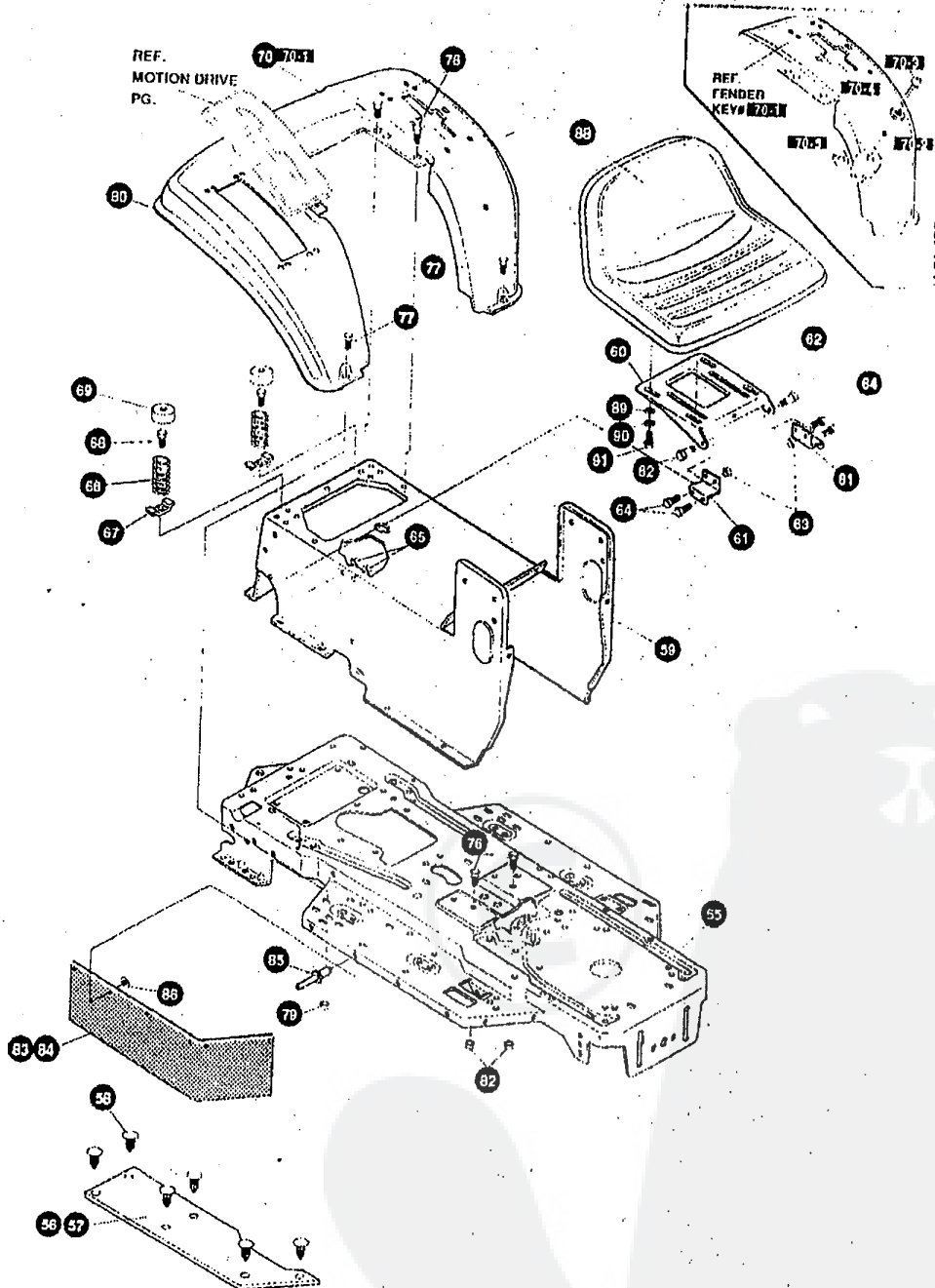
KEY#	PART#	DESCRIPTION	QTY
1	P138326203-853	BRACKET, HOOD, LF, G21/22/23/24	1
2	P138326204-853	BRACKET, HOOD, LF, G19/21/22/23	1
3	P138313541-853	BRACKET, FRONT AXLE	1
4	P13856030	SCREW, 5/16-18 X .75WDFLLK	5
5	P13855273	NUT, 5/16-18 WDFLLKLRG, WHIZ	5
6	P138300440	GUIDE, BELT, RIDER	1
7	P1381498	NUT, 5/16-18 REGHEXCTRLK	1
8	P138308207	BOLT, .625 X 2.18 HSH, 1/2-13	1
9	P138309008	NUT, 1/2-13 HEXJAM CTRLK	1
10	P138180138	SCREW, 3/8-16 X 3.00 HHC	2
11	P1382483	WASHER, .39 ID X 1.25 D X .07 BELLVIL	2
12	P1381499	NUT, 3/8-16 REGHEXCTRLK	2
15	P138300635	GUIDE, BELT SHORT, 15" WHEEL	1
16	P138124824	NUT, 5/16-18 HEXJAM	1
17	P138271190	NUT, 3/8-16 HEXKEPS	1
18	P138334794	DASH, W/O CHOKE, W/O AMM, T-PTO	1
19	P138318304	SCREW, 1/4-14 X .75 PHPNHTAP, BLACK	4
21	P138155941	SCREW, 10-24 X .63 PHFLTMA	4
22	P138308459	NUT, #10-24 HXHDNYLK	4
23	P138328141	BUMPER, HOOD/DASH, TOP & CORNER	2
24	P138328142	BUMPER, HOOD/DASH, SIDE STRIP	2
25	P138330086	HOOD, H25, LF/SF, MOLDED, LOUVERS	1
26	P138329238	RIVET, POP 3/16 DIA X .75 LONG	2
27	P138330087	'S' GRILLE, G-23, MOLDED PLSTK	1
28	P138325198	LENS FOR G-23 'S' GRILLE	1
29	P138324909-853	SUPPORT, STEERING/PTO, LF	1
30	P13840886	SCREW, 1/4-20 X .38 WAHTAP	4
31	P138326320-853	BRACKET, DASH/TANK, LF, RH	1
32	P138180020	SCREW, 1/4-20 X .75 HHC	1
33	P1381502	NUT, 1/4-20 REGHEXCTRLK	1
34	P138326321-853	BRACKET, DASH/TANK, LF, LH	1
35	P138180020	SCREW, 1/4-20 X .75 HHC	1
36	P1381502	NUT, 1/4-20 REGHEXCTRLK	1
37	P138326640-853	SUPPORT, LOWER DASH, STEEL	1
38	P138327039-853	DASH, SUPPORT BRACKET, STEEL	1
39	P138180020	SCREW, 1/4-20 X .75 HHC	2
40	P1381502	NUT, 1/4-20 REGHEXCTRLK	2
41	P138323044	PIN, CLEVIS .500 X .49/.51 LONG	2
42	P138326522	BEARING HOOD, .505 ID X .625 OD X 1.12 FL	2
43	P1388260	PIN, HAIR .091 DIA X 1.66 LONG	2
44	P138311094	LANYARD, HOOD, 11.75 LONG, H15, VANG	1
45	P13849050	SCREW, 1/4-10 X .75 PHPNTAP	1
46	P138304784	SPRING, HOOD LATCH	1
47	P138330847	STEERING WHEEL	1
48	P138317509	SPACER, SLEEVE .760 X 1.16 X .875	1
49	P138456378	PIN, SPRING, .250 DIA X 2.00 LONG	1
50	P13846763	RIVET, POP .187 DIA X .450 LONG	3
51	P13835497	SCREW, 5/16-18 X .50 WAHTAP	2
52	P13840886	SCREW, 1/4-20 X .38 WAHTAP	8
55	P138333225	RIVET, POP 3/16 DIA X 1.0" LONG	2
56	P1381501	WASHER, FLAT .203 X .56 X .040	2
57	P138402220	FOIL, LENS REFLECTOR, G-23	1
	P138336043	PARTS MANUAL	1
	P138336068	OPERATOR'S MANUAL	1

511.971-5 (28)

a	b	c	d	e	f
10/93					

T13/102 SD

Art.-No. 110.139



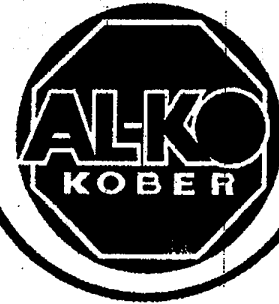
511.971-6 (20)

a	b	c	d	e	f
12/94					

387732 D

T13/102 SD

Art.-No. 110.139



KEY#	PART#	DESCRIPTION	QTY
55	P138335851-860	FRAME, LF, DRILLED, P920/F4360	1
56	P138310006	FOOT PAD, RH, 22.12 LONG, DYNA, F-5	1
57	P138310005	FOOT PAD, LH, 22.12 LONG, DYNA, F-5	1
58	P138309235	FASTENER, RATCHET, BLACK	12
59	P138327575-860	CONSOLE, NON-WALK THRU, LF, SOF	1
60	P13858367-860	PLATE, SEAT, F5, SF, LF	1
61	P138310660-860	BRACKET, F-5, SEAT SUPPORT	2
62	P13820507	BOLT, .437 X .156 HSSH, 5/16-18	2
63	P1381498	NUT, 5/16-18 REGHEXCTRLK	2
64	P13848901	SCREW, 5/16-18 X .63 WAHHC	4
65	P1381498	NUT, 5/16-18 REGHEXCTRLK	4
66	P13857153	SPRING, SEAT 2.63 LONG, 1.49 OD, BLACK	2
67	P1381341	CLAMP, SPRG 1.17"ID	2
68	P13844811	SCREW, 1/4-20 X .75 WAHTAP	2
69	P13856907	COVER, SEAT SPRING, 1.5 ID X 1.0 LONG	2
70		ASSEMBLY, FENDER, F5, LF, SOF, SUSP	1
70-1	P138332185-860	FENDER, F5, SUS, LF, S OF	1
70-2	P1389239	CLEVIS	1
70-3	P138439455	SCREW, 5/16-18 X .56 PHPNMA	1
70-4	P138301551	WASHER, .344 ID X 1.50 D X .09	1
70-5	P138120373	NUT, 5/16-18 SQUARE	1
76	P138095346	SCREW, 1/4-20 X .50 WAHTAP	4
77	P138126385	BOLT, 5/16-18 X 2.25 CARRLN	2
79	P13855273	NUT, 5/16-18 WDFLLKLRG WHIZ	2
80	P13855023	TRIM, STRIP, BLACK—SMALL, W/ ADH	77.5"
81	P138180079	SCREW, 5/16-18 X 1.00 HHC	2
82	P1381498	NUT, 5/16-18 REGHEXCTRLK	2
83	P138305386	SKIRT, TUV, LF, RUBBER, 7 X 28.03	1
84	P138305354	SKIRT, TUV, LF, RUBBER, 7 X 15.64	1
85	P138329238	RIVET, POP 3/16 DIA X .75 LONG	10
86	P1381501	WASHER, FLAT .203 X .56 X .040	10
88	P138310384	SEAT, MICHIGAN GEN, W/SWITCH HOLE	1
89	P138120393	WASHER, FLAT .344 X .69 X .065	4
90	P138120638	WASHER, HVSPTLK .328 X .60 X .09	4
91	P138180077	SCREW, 5/16-18 X .75 HHC	4

\* ORDER INDIVIDUAL PARTS - ASSEMBLY NOT AVAILABLE

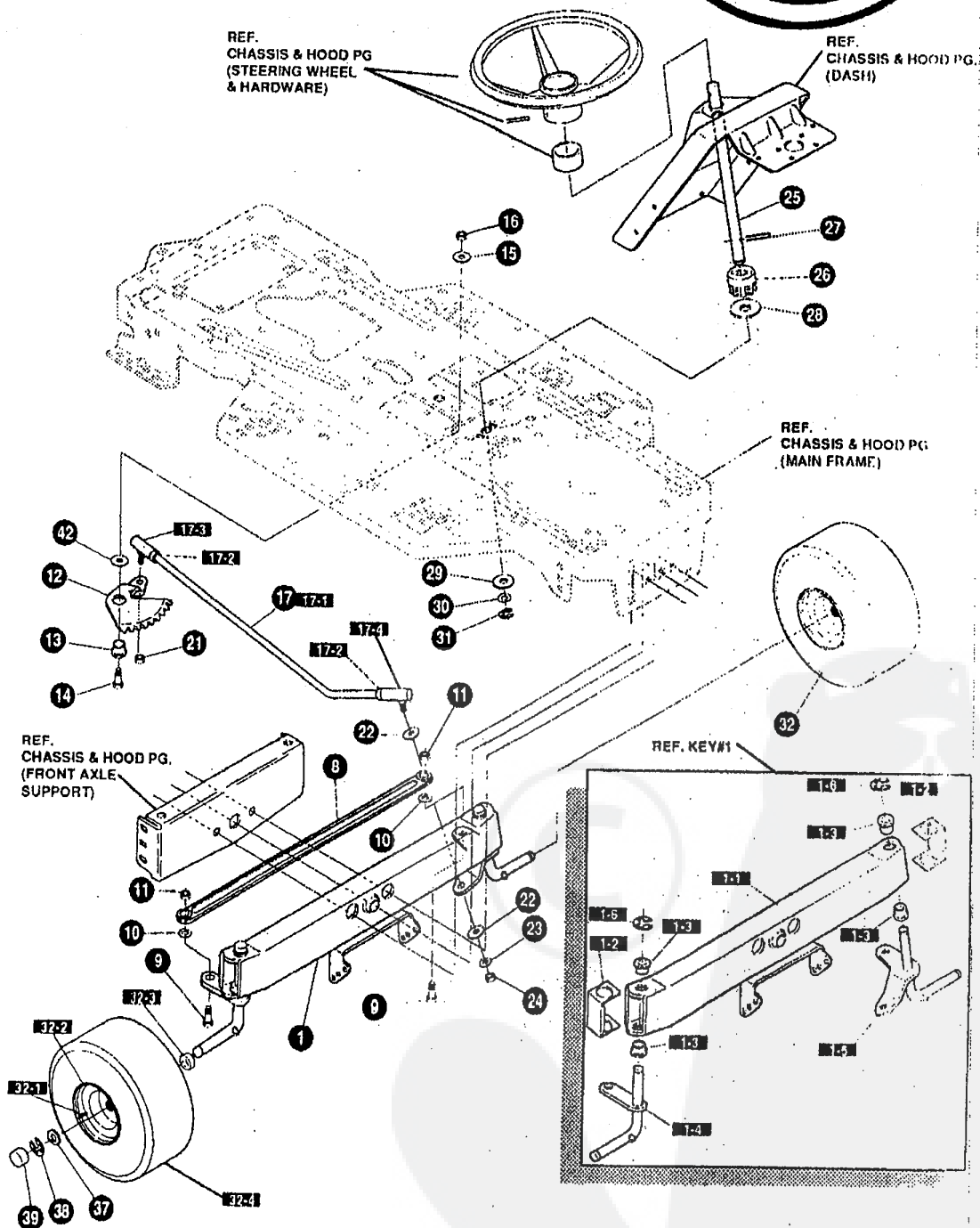
511.971-7 (28)

a	b	c	d	e	f
12/94					

C 8

T13/102 SD

Art.-No. 110.139



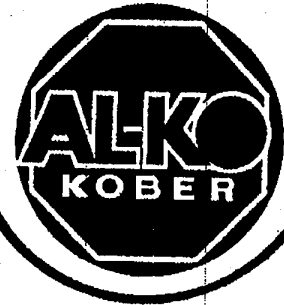
511.971-8 (28)

a	b	c	d	e	f
12/94					

315136 J

T13/102 SD

Art.-No. 110.139



KEY#	PART#	DESCRIPTION	QTY
1	*	ASSEMBLY, AXLE FRONT, 4/WS, SUSP	1
1-1	P138310170	AXLE, FRONT	1
1-2	P13853373	AXLE COVER	2
1-3	P13852407	SPINDLE BEARING	4
1-4	P138302926	ASSEMBLY, SPINDLE, RH	1
1-5	P138315886	ASSEMBLY, SPINDLE, LH	1
1-6	P13836625	RING, RETEX .57 X .05 TRU 5133-75	2
8	P138304590	TIE ROD ASSEMBLY, 19.81 LONG, W-SECTION	1
9	P138180128	SCREW, 3/8-16 X 1.75 HHC	2
10	P138120382	WASHER, REGSPTLK .393 X .68 X .10	2
11	P1381499	NUT, 3/8-16 REGHXCTRLK	2
12	P13858289	SECTOR, STEERING, LF	1
13	P13852406	BEARING, FLANGE, ECC .510 ID X .998 OD X .56	1
14	P138180177	SCREW, 1/2-13 X 1.50 HHC	1
15	P13822265	WASHER, FLAT .515 X 1.38 X .119	1
16	P1381500	NUT, 1/2-13 REGHCTRLK	1
17	P138311100	KIT 300146 DRAGLINK	1
17-1	P13858291	STEERING LINK	1
17-2	P138124925	NUT, 3/8-24 REGHEXJAM	2
17-3	P13857158	BALL JOINT, 3/8 THD, SHORT STUD	1
17-4	P13821275	BALL JOINT, 3/8 THD, LONG STUD	1
21	P13846692	NUT, 3/8-24 WDFLHLK WHIZ	1
22	P138996416	WASHER, FLAT .391 X 1.00 X .125	2
23	P138120382	WASHER, REGSPTLK .393 X .68 X .10	1
24	P138120369	NUT, 3/8-24 REGHEX	1
25	P138332528	SHAFT, STEERING, LF, 2WS	1
26	P13858244	PINION, STEERING, LF	1
27	P13858274	PIN, DOWEL .2500 OD+1.75 LONG	1
28	P138301410	BEARING, FLANGE .752 ID X 1.061 OD X .24	1
29	P138301398	WASHER, FORMED 1.135 X 1.53 X .12	1
30	P13821682	WASHER, FLAT .765 X 1.25 X .042	1
31	P13836625	RING, RETEX .57 X .05 TRU 5133-75	1
32	*	TIRE & RIM, PU 15 X 6.0 X 6	2
32-1	P13824167	VALVE STEM	1
32-2	P13839829	RIM, WHEEL	1
32-3	P138314416	BEARING, FLANGE	1
32-4	P138316702	TIRE, 15 X 6 X 6	1
37	P138642	WASHER, FLAT .755 X 1.31 X .075	4
38	P13836625	RING, RETEX .57 X .05 TRU 5133-75	2
39	P13840394	HUB CAP, 1.500 ID X 7/8 LONG	2
42	P13849998	WASHER, FLAT .520 X 1.25 X .209	1

\* ORDER INDIVIDUAL PARTS - ASSEMBLY NOT AVAILABLE

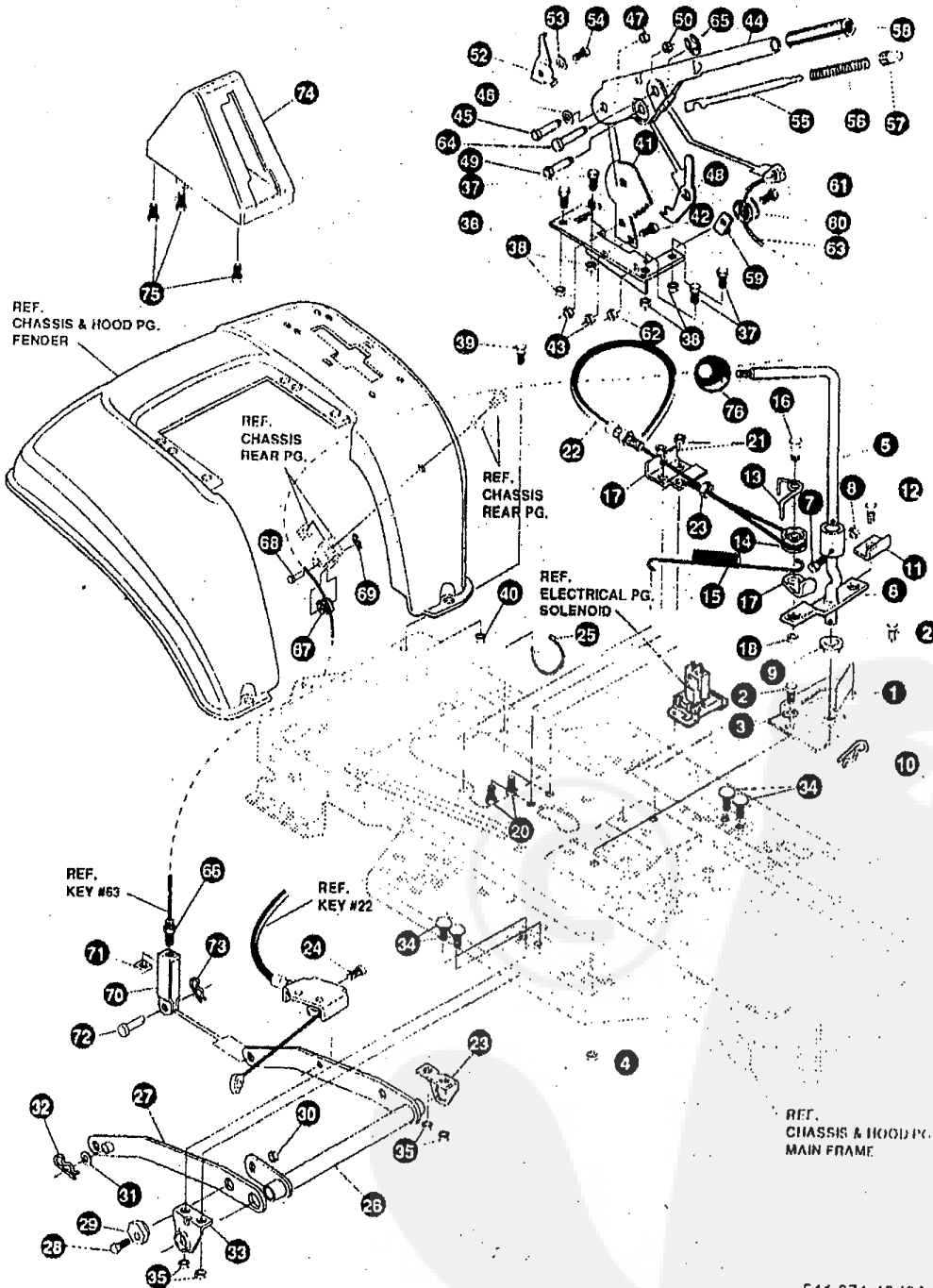
511.971-9 (28)

a	b	c	d	e	f
12/94					

G10

T13/102 SD

Art.-No. 110.139



511.971-10 (24)

a	b	c	d	e	f
12/94					

336802 C



T13/102 SD

Art.-No. 110.139



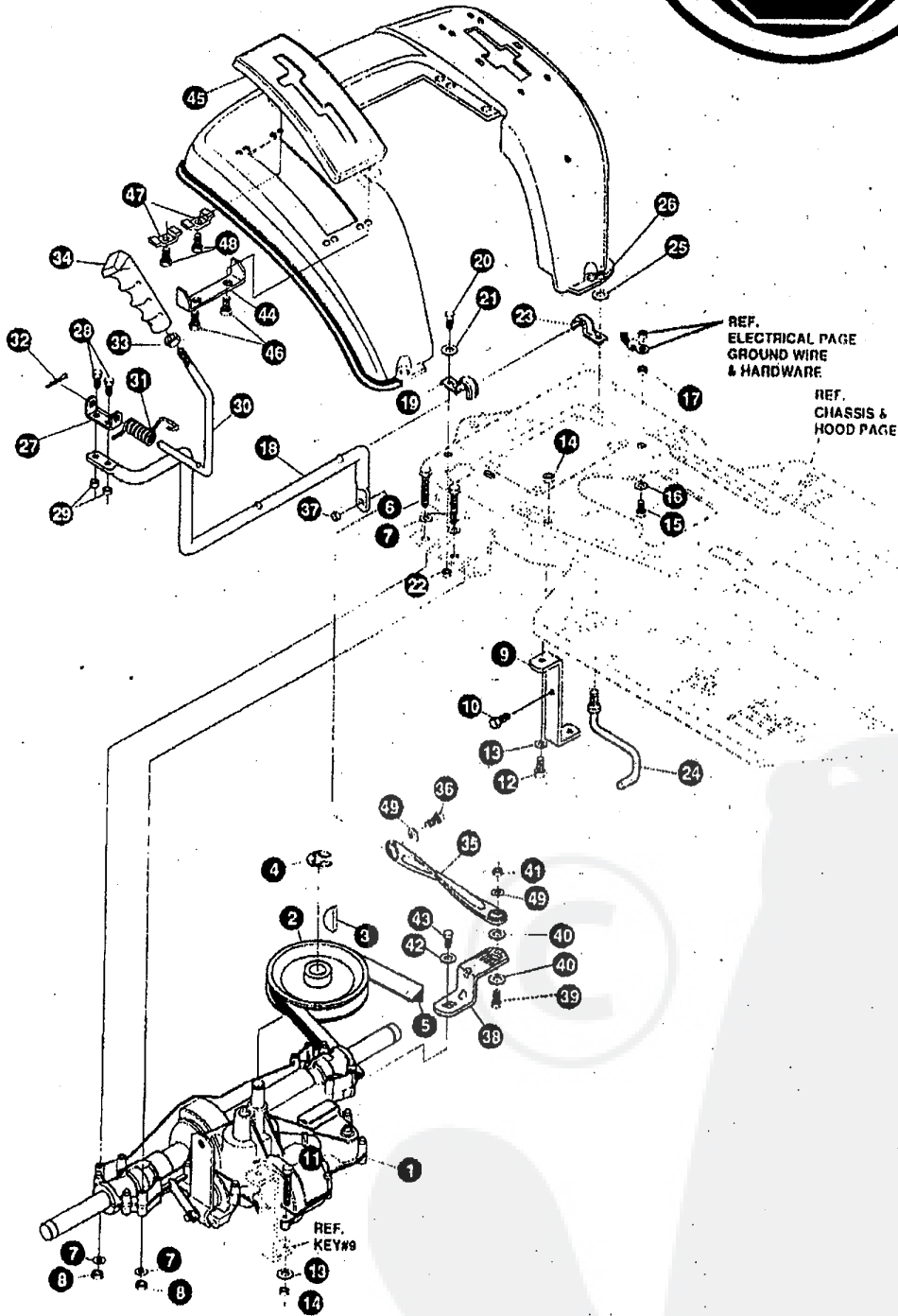
KEY#	PART#	DESCRIPTION	QTY
1	P138320075-853	BRACKET, CLUTCH ENGAGE LEVER	1
2	P138180079	SCREW, 5/16-18 X 1.00 HHC	2
3	P138120393	WASHER, FLAT .344 X .69 X .065	2
4	P1381498	NUT, 5/16-18 REGHEXCTRLK	2
5	P138334712	LEVER, PTO UPPER, LF, H24/H25	1
6	P138331727	ASSEMBLY, CLUTCH LEVER, LOWER	1
7	P138308231	SCREW, 1/4-20 X 1.25 HHWATAP	1
8	P1381502	NUT, 1/4-20 REGHEXCTRLK	1
9	P13850148	BEARING, FLANGE .503 ID X .63 OD X .50	1
10	P1380260	PIN, HAIR .091 DIA X 1.66 LONG	1
11	P138318341	BRACKET, SWITCH ENGAGE	1
12	P13835498	SCREW, 5/16-18 X .75 WAHTAP	1
13	P138324032	SPRING, CABLE KEEPER .390 ID	1
14	P13848306	PULLEY, POWDER METAL	1
15	P138318648	SPRING, .071 X .62 X 12.88	1
16	P138324045	BOLT, .375 X .565 HHSH	1
17	P1381288	BRACKET, CABLE RETAINER	1
18	P1381502	NUT, 1/4-20 REGHEXCTRLK	1
19	P138300698-853	BRACKET, FRAME CABLE	1
20	P138180020	SCREW, 1/4-20 X .75 HHC	2
21	P1381502	NUT, 1/4-20 REGHEXCTRLK	2
22	P138324055	ASSEMBLY, CABLE, BLADE ENGAGE	1
23	P138120613	NUT, 1/4-28 HJAM	1
24	P13835498	SCREW, 5/16-18 X .75 WAHTAP	1
25	P13857444	TIE, CABLE BLACK NYLON, 5.62 LONG	1
26	P138300158-853	LIFT ASSEMBLY, LH	1
27	P138300169-853	LIFT ASSEMBLY, RH	1
28	P138180079	SCREW, 5/16-18 X 1.00 HHC	1
29	P13858247	NUT, ADJUST	1
30	P1381498	NUT, 5/16-18 REGHEXCTRLK	1
31	P138417098	WASHER, FLAT .531 X 1.06 X .083	2
32	P1388260	PIN, HAIR .091 DIA X 1.66 LONG	2
33	P13858248-853	BRACKET, REAR HANG, SUSP	2
34	P13857072	BOLT, 5/16-18 X .63 CARRLN	4
35	P1381498	NUT, 5/16-18 REGHEXCTRLK	4
36	P138313926	BRACKET, HEIGHT ADJUST	1
37	P138180077	SCREW, 5/16-18 X .75 HHC	4
38	P1381498	NUT, 5/16-18 REGHEXCTRLK	4
39	P138180077	SCREW, 5/16-18 X .75 HHC	1
40	P1381498	NUT, 5/16-18 REGHEXCTRLK	1
41	P138301238	QUADRANT, HEIGHT ADJUST	1
42	P138180077	SCREW, 5/16-18 X .75 HHC	2
43	P1381498	NUT, 5/16-18 REGHEXCTRLK	2
44	P138322292-853	HANDLE, LIFT SHORT(30" S.F.)	1
45	P138300171	BOLT, .500 X .270 HHSH, 5/16-18	1
46	P138996418	WASHER, FLAT .506 X .75 X .024	1
47	P13844108	NUT, 5/16-18 HWDFLCTRLK	1
48	P138301239	PAWL, SQUARE	1
49	P138300171	BOLT, .500 X .270 HHSH, 5/16-18	1
50	P13844108	NUT, 5/16-18 HWDFLCTRLK	1
52	P1389435	POINTER, HEIGHT ADJUST	1
53	P138138479	WASHER, EXLK .195 X .41 X .03	1
54	P13835287	SCREW, #8-32 X .38 HHWATAP	1
55	P138303027	ROD, ACTUATOR-SHORT	1
56	P13858326	SPRING, HEIGHT ADJUST	1
57	P13858325	KNOB, HEIGHT ADJUST, PUSH BUTTON	1
58	P13858329	GRIP, .750 OD W/ HOLE, BLACK	1
59	P1389149	BRACKET, CABLE RETAINER	1
60	P13848306	PULLEY, POWDER METAL	1
61	P13858336	BOLT, .375 X .375 HHSH, 1/4-20	1
62	P1381502	NUT, 1/4-20 REGHEXCTRLK	1
63	P138314177	CABLE, LIFT, 22.92, F-5, 20 X 8-8	1
64	P138300310	PIN, CLEVIS .310 DIA, 4/5 LONG	1
65	P138300311	RING, RET L .31 X .25 TRU 5133-31	1
66	P138120375	NUT, 1/4-20 REGHEX	1
67	P13848306	PULLEY, POWDER METAL	1
68	P138300317	PIN, CLEVIS .375 DIA X .81 LONG	1
69	P1386260	PIN, HAIR .091 DIA X 1.66 LONG	1
70	P1389405	CLEVIS, LIFT CABLE	1
71	P138120372	NUT, 1/4-20 REGSQ	1
72	P13839522	PIN, CLEVIS .312 X .812	1
73	P138121222	PIN, COTTER .090 DIA X .75 LONG	1
74	P138333903	LIFT COVER, F5, LF, SF, BLACK	1
75	P138300340	SCREW, #10 X .75 HHPLAST, BLACK	3
76	P138321837	KNOB, ROUND 1.50 DIA MATTE, BLACK	1

511.971-11 (28)

a	b	c	d	e	f
12/94					

T13/102 SD

Art.-No. 110.139



511.971-12 (28)

a	b	c	d	e	f
12/94					

326599 E

T13/102 SD

Art.-No. 110.139



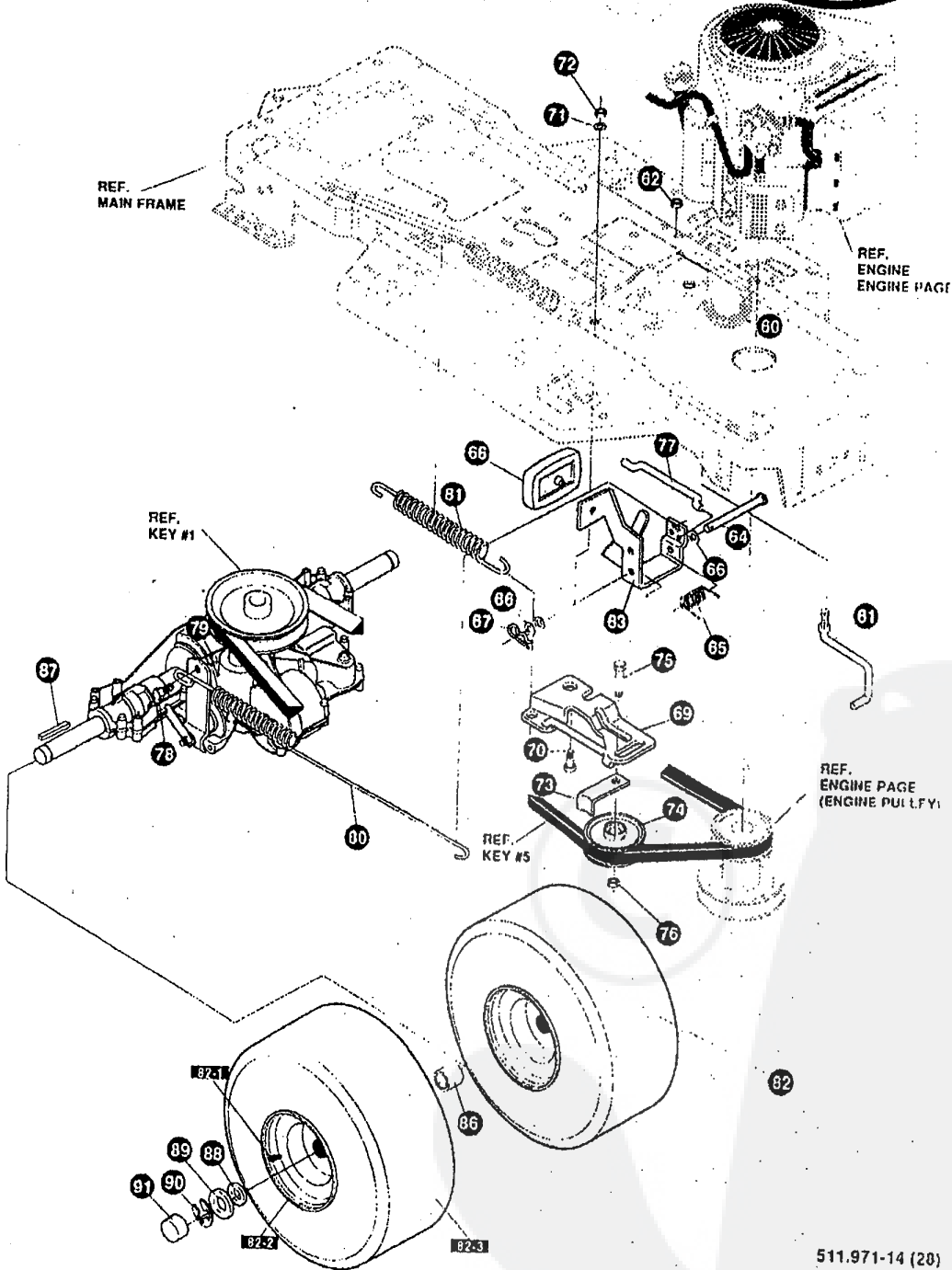
KEY#	PART#	DESCRIPTION	QTY
1	A	TRANSAXLE, P940-6, 2WS, LF, SF	1
2	P138302745	PULLEY, 6.6 OD, V4L, T/A	1
3	P13850795	KEY, HI-PRO 606, .75 DIA X .187 WD	1
4	P13822053	RING, RETEX .58 X .035 TRU 5100-62	1
5	P138314120	BELT, V 4L, 87.25, 4WS, LF	1
6	P138180091	SCREW, 5/16-18X2.50 HHC	4
7	P138120393	WASHER, FLAT .344 X .69 X .065	8
8	P1381498	NUT, 5/16-18 REGHEXCTRLK	4
9	P138325202	BRACKET, STABILIZER	1
10	P13850947	SCREW, 3/8-16 X 1.25 WAHHTAP	1
11	P138180087	SCREW, 5/16-18 X 2.00 HHC	2
12	P138180079	SCREW, 5/16-18 X 1.00 HHC	1
13	P138120393	WASHER, FLAT .344 X .69 X .065	2
14	P1381498	NUT, 5/16-18 REGHEXCTRLK	2
15	P138180077	SCREW, 5/16-18 X .75 HHC	1
16	P138138538	WASHER, REGINTLK .320 X .61 X .03	1
17	P1381498	NUT, 5/16-18 REGHEXCTRLK	1
18	P138330462	LEVER, SHIFT-LOWER, P940, LF	1
19	P138310347-853	CLIP, SHIFT LEVER, .625 ROD	1
20	P138180077	SCREW, 5/16-18 X .75 HHC	1
21	P138996416	WASHER, FLAT .391 X 1.00 X .125	1
22	P1381498	NUT, 5/16-18 REGHEXCTRLK	1
23	P138310347-853	CLIP, SHIFT LEVER, .625 ROD	1
24	P13857259	GUIDE, BELT 5/16-18 THD	1
25	P138996416	WASHER, FLAT .391 X 1.00 X .125	1
26	P1381498	NUT, 5/16-18 REGHEXCTRLK	1
27	P138310356	BRACKET, PIVOT, SHIFT LEVER	1
28	P138180020	SCREW, 1/4-20 X .75 HHC	2
29	P1381502	NUT, 1/4-20 REGHEXCTRLK	2
30	P138324798	LEVER, SHIFT, UPPER, SOF, 1/2-13	1
31	P138310265	SPRING, TORSION .56 X .95 X .095	1
32	P138137185	PIN, COTTER .125 DIA X 1.00 LONG	1
33	P138120238	NUT, 1/2-13 HEXJAM	1
34	P138306690	HANDLE, 1/2-13 MOLDED, BLACK	1
35	P138325192	LINK, TIE ROD, SHIFT, P940-5 & 6SPD	1
36	P138180124	SCREW, 3/8-16 X 1.25 HHC	1
37	P1381499	NUT, 3/8-16 REGHXCTRLK	1
38	P138327460	BRACKET, SHIFT, 6SP, LF, FENDER	1
39	P138180124	SCREW, 3/8-16 X 1.25 HHC	1
40	P138120394	WASHER, FLAT .406 X .81 X .065	2
41	P1381499	NUT, 3/8-16 REGHXCTRLK	1
42	P13857157	WASHER, .750 X .250 SP-TRANSAXLE	1
43	P13856255	SCREW, 1/4-28 X .75 NYLHHC	1
44	P138311257-853	BRACKET, COVER, F-5, FNDR SHIFT	1
45	P138311209	COVER, PLASTIC, LF, P930/F4360-6	1
46	P138311331	SCREW, 1/4-15 X .44/53 HILOHHWA	2
47	P1381341	CLAMP, SPRG, 1.17"ID	2
48	P138311331	SCREW, 1/4-15 X .44/53 HILOHHWA	2
49	P138120394	WASHER, FLAT .406 X .81 X .065	2

^ CONTACT YOUR NEAREST TRANSAXLE DEALER FOR PARTS & SERVICE

511.971-13 (28)

T13/102 SD

Art.-No. 110.139



511.971-14 (20)

a	b	c	d	e	f
12/94					

326599 E

**D1**

T13/102 SD

Art.-No. 110.139



KEY#	PART#	DESCRIPTION	QTY
60	P138321514	SPRING, DRAG LINK BIAS	1
61	P138304016	GUIDE, BELT, RH	1
62	P1381498	NUT, 5/16-18 REGHEXCTRLK	1
63	P138325942	PEDAL ASSEMBLY, BRAKE/CLUTCH, LF	1
64	P138319675	PIN, CLEVIS .500 D X 4.53 LONG	1
65	P13857847	SPRING, BRAKE PEDAL	1
66	P1382988	WASHER, FLAT .504 X .75 X .059	3
67	P13856180	PIN, HAIR .091 DIA X 1.62 LONG	1
68	P13848160	PAD, CLUTCH BRAKE, W/PRINTING	1
69	P138320381	ARM, IDLER TRACTION, SOG, LF	1
70	P138329989	BOLT, .625 X .135 HSSH, 5/16-18	1
71	P13845602	WASHER, FLAT .333 X .87 X .119	1
72	P1381498	NUT, 5/16-18 REGHEXCTRLK	1
73	P13839659	RETAINER, BELT	1
74	P13835374	PULLEY, IDLER, V4L, 3.06 X .62	1
75	P13845892	BOLT, 3/8-16 X 1.50 CARRSN	1
76	P1381499	NUT, 3/8-16 REGHXCTRLK	1
77	P13857204	ROD, CLUTCH 3.92"	1
78	P138326131	BOLT, .495 X .31 HSSH, 5/16-18	1
79	P1381498	NUT, 5/16-18 REGHEXCTRLK	1
80	P138325910	SPRING, BRAKE 31.12, P940, LF	1
81	P138330505	SPRING, CLUTCH .113 X .750 X 8.75	1
82	.	TIRE & RIM, 20 X 10.00-8	2
82-1	P13824167	VALVE STEM	1
82-2	P138301366	RIM, WHEEL	1
82-3	P138319686	TIRE, 20 X 10 X 8	1
86	P138301565	SPACER, SLEEVE .750 X 1.25 X .50	2
87	P13852928	KEY, SQUARE .187 SQUARE X 2.25 LONG	2
88	P138642	WASHER, FLAT .755 X 1.31 X .075	4
89	P13842815	WASHER, FLAT .755 X 1.53 X .07	2
90	P13836625	RING, RETEX .57 X .05 TRU 5133-75	2
91	P13840394	HUB CAP, 1.500 ID X 7/8 LONG	2

\* ORDER INDIVIDUAL PARTS - ASSEMBLY NOT AVAILABLE

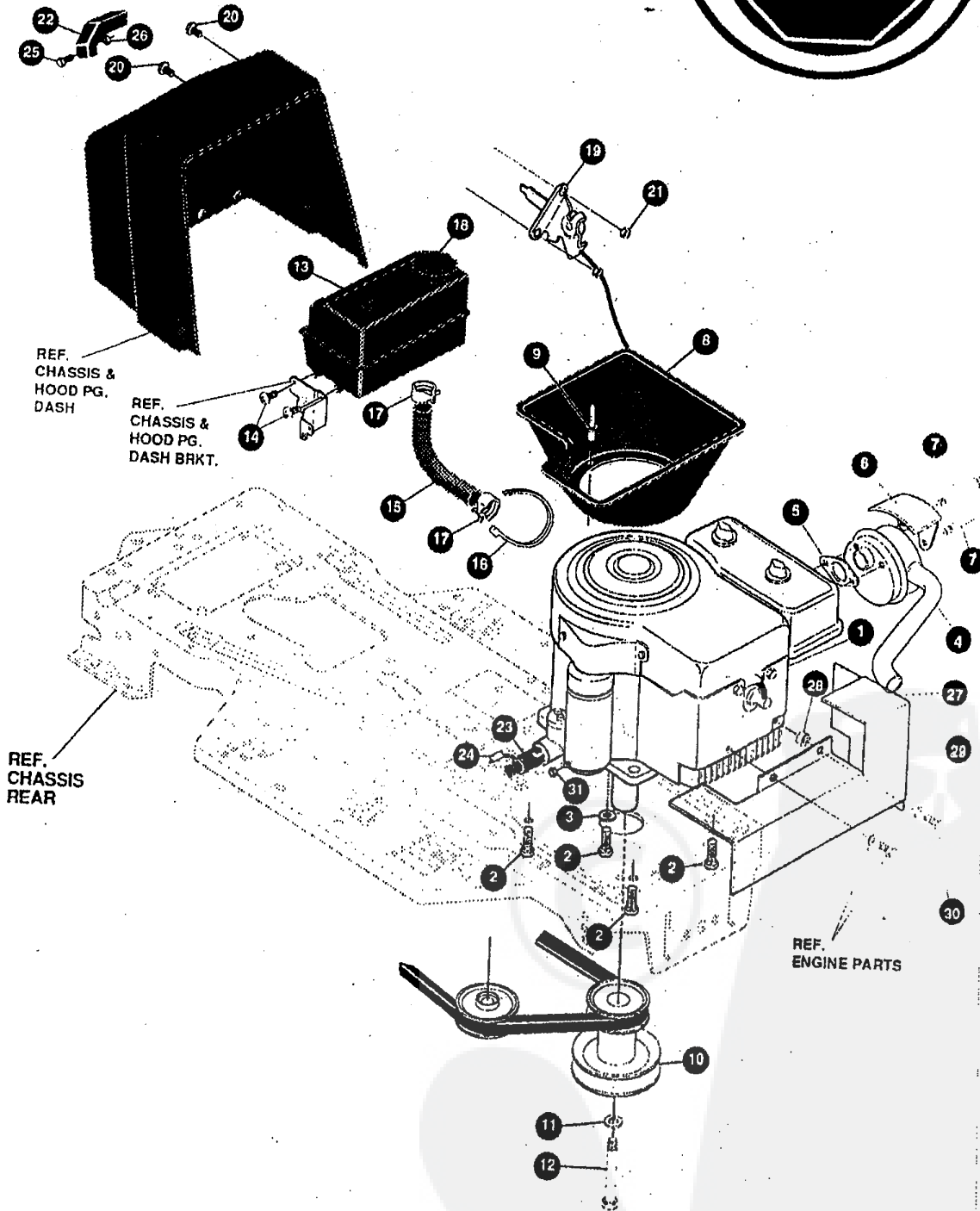
511.971-15 (28)

a	b	c	d	e	f
12/94					

D2

T13/102 SD

Art.-No. 110.139



511.971-16 (20)

a	b	c	d	e	f
12/94					

330308 D

**D3**

T13/102 SD

Art.-No. 110.139



KEY#	PART#	DESCRIPTION	QTY
1		ENGINE, 12-12.5HP, B&S, IC, DUAL	1
2	P13850947	SCREW, 3/8-16 X 1.25 WAHTAP	4
3	P138138489	WASHER, EXLK .384 X .69 X .04	1
4	P138305367	MUFFLER-LO TONE, NELSON, EXPORT	1
5	P13846708	GASKET, MUFFLER	1
6	P13854767	SHIELD, HEAT, FOR ROUND MUFFLER	1
7	P13854980	SCREW, 5/16-18 X 3.50 HHC	2
8	P138328147	PLENUM, LF, H25, B&S, 14OHV	1
9	P138328683	RIVET, POP 3/16 DIA X .50 LONG	3
10	P138328028	PULLEY, ENGINE 3.0 D X 4.0 LONG X 5.0 D	1
11	P138120383	WASHER, REGSPTLK .459 X .78 X .12	1
12	P138433146	SCREW, 7/16-20 X 4.25 HHC, BLACK	1
13	P138309853	TANK, FUEL 1.5 WO/SENSOR, CLEAR	1
14	P13849050	SCREW, 1/4-10 X .75PHNTAP	4
15	P13842258	TUBING, .25 X .50 X BULK GAS LINE	11.0'
16	P13857444	TIE, CABLE BLACK NYLON, 5.62 LONG	1
17	P13847345	CLAMP, HOSE SCREW TYPE	2
18	P13812501	CAP, FUEL, 2.5" THROAT	1
19	P138329148	THROTTLE CONTROL, 12HP, B&S, H24	1
20	P138155941	SCREW, 10-24 X .63 PHFLTMA	2
21	P138308459	NUT, #10-24 HXHDNYLK	2
22	P138300508	KNOB, THROTTLE CONTROL, GP STYLE	1
23	P138325547	OIL DRAIN VALVE ASSEMBLY	1
24	P138327422	CAP, OIL DRAIN VALVE ASSEMBLY, YELLOW	1
25	P138159585	SCREW, #8-32 X .38 PHPNMA	1
26	P138120622	NUT, #8-32 REGHX	1
27	P138308543-853	HEAT SHIELD ASSEMBLY, 11 & 12HP	1
28	P13841462	SPACER, SLEEVE .328 X .75 X .312	1
29	P138120380	WASHER, REGSPTLK .263 X .49 X .07	1
30	P138180022	SCREW, 1/4-20 X 1.00 HHC	1
31	P138124818	NUT, 1/4-20 REGHXJAM	1

\* SEE ENGINE MANUAL

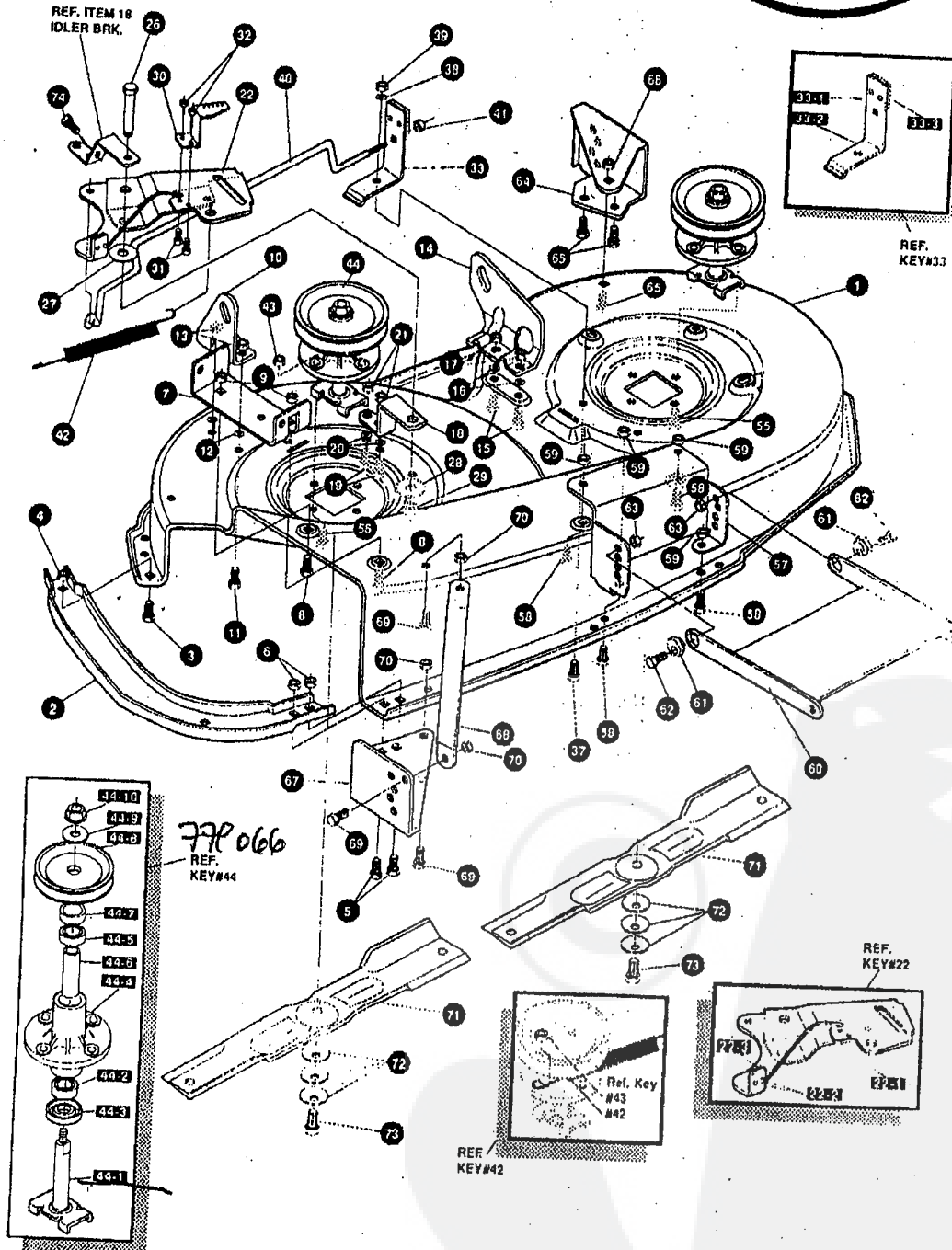
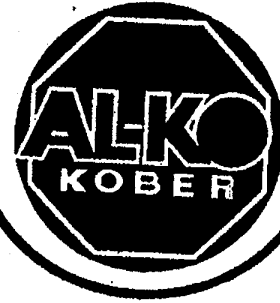
511.971-17 (28)

D4

a	b	c	d	e	f
12/94					

T13/102 SD

Art.-No. 110.139



511 647-18 (28)

a	b	c	d	e	f
12/94					

320109 H



T13/102 SD

Art.-No. 110.139



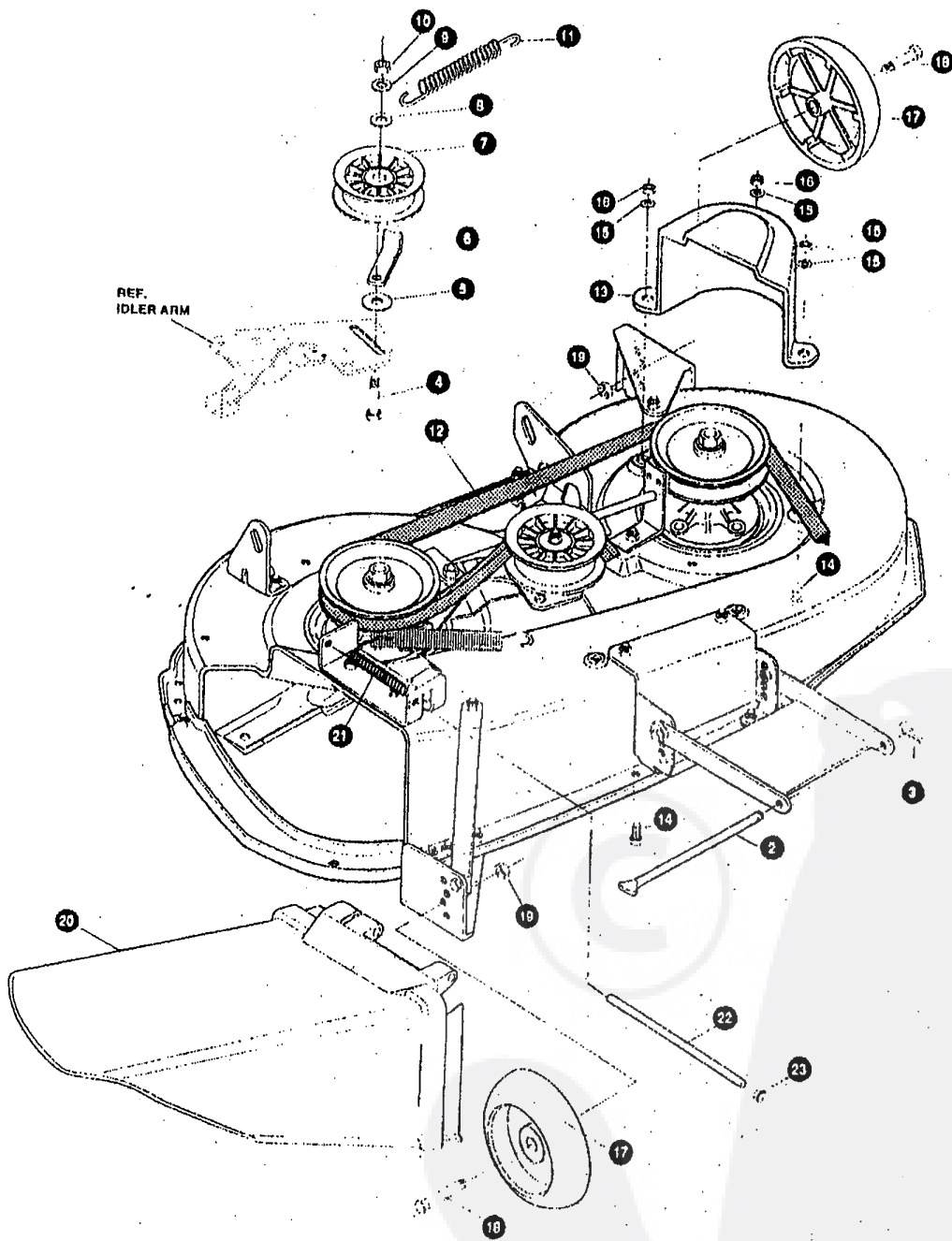
KEY#	PART#	DESCRIPTION	QTY
1	P138325103-853	MOWER DECKS, 40" LF/EURO	1
2	P138326480	TOE GUARD - MULCHER	1
3	P138180077	SCREW, 5/16-18 X .75 HHC	1
4	P1381498	NUT, 5/16-18 REGHEXCTRLK	1
5	P138180077	SCREW, 5/16-18 X .75 HHC	1
6	P1381498	NUT, 5/16-18 REGHEXCTRLK	2
7	P138317017	BRACKET, CHUTE MOUNT, BLACK	2
8	P138180077	SCREW, 5/16-18 X .75 HHC	1
9	P1381498	NUT, 5/16-18 REGHEXCTRLK	2
10	P138313929	LIFT BRACKET, REAR, RH, BLACK	2
11	P138180077	SCREW, 5/16-18 X .75 HHC	1
12	P138120393	WASHER, FLAT .344 X .69 X .065	2
13	P1381498	NUT, 5/16-18 REGHEXCTRLK	2
14	P138310667	BRACKET, DECK LIFT, REAR, LH, BLACK	1
15	P138180077	SCREW, 5/16-18 X .75 HHC	1
16	P138120393	WASHER, FLAT .344 X .69 X .065	2
17	P1381498	NUT, 5/16-18 REGHEXCTRLK	2
18	P138326893	BRACE, IDLER SUPPOR, T 40", 43"	2
19	P138180077	SCREW, 5/16-18 X .75 HHC	1
20	P138120393	WASHER, FLAT .344 X .69 X .065	2
21	P13844108	NUT, 5/16-18 HWDFLCTRL	2
22	P138320576	IDLER ARM ASSEMBLY	2
22-1	P138322116	ARM, IDLER, 40/43" DECK	1
22-2	P13841601	RIVET, OVSET .187 DIA X .50 LONG	1
22-3	P138306973	BRAKE PAD - HARD - 232 AF	2
26	P138304420	BOLT, .500 X 2.15 HSSH	1
27	P138996307	WASHER, FLAT .391 X 1.00 X .209	1
28	P138996416	WASHER, FLAT .391 X 1.00 X .125	1
29	P13845171	NUT, 3/8-16 HWDFL WHIZ-LOCK	2
30	P138326249	BRACKET, EXTENSION IDLER	1
31	P138180077	SCREW, 5/16-18 X .75 HHC	1
32	P1381498	NUT, 5/16-18 REGHEXCTRLK	2
33	P138321828	BLADE BRAKE ASSEMBLY	2
33-1	P138135624	RIVET, TRSET .185 DIA X .41 LONG	1
33-2	P138304119	BRAKE ARM	2
33-3	P138306973	BRAKE PAD - HARD - 232 AF	1
37	P138180077	SCREW, 5/16-18 X .75 HHC	1
38	P138120393	WASHER, FLAT .344 X .69 X .065	1
39	P1381498	NUT, 5/16-18 REGHEXCTRLK	1
40	P138302714	ROD, BRAKE	1
41	P1381502	NUT, 1/4-20 REGHEXCTRLK	1
42	P13835410	SPRING, .071 X .62 X 4.37	1
43	P1381498	NUT, 5/16-18 REGHEXCTRLK	1
44	P13856424	SP/SF QUILL ASSEMBLY, 36/39/40/43	1
44-1	P13856425	SHAFT/SADDLE 36"	2
44-2	P13849562	BEARING, BALL 6203-2AA(SEALS)-C3	1
44-3	P13850616	DUST SHIELD	1
44-4	P13855547	QUILL CASTING (1046)	1
44-5	P13849562	BEARING, BALL 6203-2AA (SEALS)-C3	1
44-6	P13850818	SPACER, SLEEVE .669 X .88 X 3.797	1
44-7	P13851449	SPACER, SLEEVE .672 X .93 X .438	1
44-8	P138313898	PULLEY ASSEMBLY	1
44-9	P13856365	WASHER, SPECIAL QUILL	1
44-10	P1381282	NUT, 7/16-20 WDFLLK	1
55	P13835498	SCREW, 5/16-18 X .75 WAHTAP	1
56	P138300345	SCREW, 5/16-18 X 1.38 WAHTAP	7
57	P138318445	BRACKET, 40, LF, FRONT DECK	1
58	P138180077	SCREW, 5/16-18 X .75 HHC	1
59	P1381498	NUT, 5/16-18 REGHEXCTRLK	4
60	P13858305	BRACKET, LINK DECK FRONT	4
61	P13858247	NUT, ADJUST	1
62	P138180079	SCREW, 5/16-18 X 1.00 HHC	2
63	P1381498	NUT, 5/16-18 REGHEXCTRLK	2
64	P138317041	BRACKET, GAGE WHEEL, LH, BLACK	2
65	P138180077	SCREW, 5/16-18 X .75 HHC	1
66	P1381498	NUT, 5/16-18 REGHEXCTRLK	3
67	P138322464	BRACKET, GAGE WHEEL, RH, FRONT	3
68	P138314282	BRACKET STABILIZER	1
69	P138180077	SCREW, 5/16-18 X .75 HHC	1
70	P1381498	NUT, 5/16-18 REGHEXCTRLK	3
71	P138313316	BLADE, 40" STD-LIFT, 20.32, BLACK	3
72	P1382483	WASHER, .39 ID X 1.25 D X .07 BELLVIL	2
73	P13839573	SCREW, 3/8-24 X 1.00 NYLHHC	6
74	P138308231	SCREW, 1/4-20 X 1.25 HHWATAP	2

511.971-19 (28)

a	b	c	d	e	f
12/94					

T13/102 SD

Art.-No. 110.139



511.971-20 (28)

a	b	c	d	e	f
12/94					

1256R2 B

20

**D7**

T13/102 SD

Art.-No. 110.139



KEY#	PART#	DESCRIPTION	QTY
2	P13858306	ROD, DECK HITCH	1
3	P1388260	PIN, HAIR .091 DIA X 1.68 LONG	1
4	P13857325	BOLT, 3/8-16 X 2.00 CARRSN	1
5	P13825210	WASHER, FLAT .386 X 1.25 X .09	1
6	P1381346	RETAINER, BELT	1
7	P138310326	PULLEY, IDLER, BFF, 4.00, WIDE FLANGE	1
8	P138996307	WASHER, FLAT .391 X 1.00 X .209	1
9	P138120382	WASHER, REGSPTLK .393 X .68 X .10	1
10	P138120377	NUT, 3/8-16 REGHX	1
11	P138300473	SPRING, TENSION, 7.52 LONG, 17 LB/IN	1
12	P138319005	BELT, V SL, 81.00, DECK, 40, LF	1
13	P138328257	GUARD, BELT, LH, PLASTIC	1
14	P138180077	SCREW, 5/16-18 X .75 HHC	3
15	P138120393	WASHER, FLAT .344 X .89 X .065	3
16	P1381498	NUT, 5/16-18 REGHEXCTRLK	3
17	P138302611	GAUGE WHEEL, EURO, 6.00 OD X 1.38 WD	2
18	P13823763	BOLT, .500X1.390 HHSII 3/8-16	2
19	P1381499	NUT, 3/8-16 REGHXCTRLK	2
20	P138304422	CHUTE DEFLECTOR, 40", 42" & 43"	1
21	P138314975	SPRING, TORSION, CHUTE DEFLECTOR	1
22	P138304424	ROD, PIVOT DECK, .312 D X 7.25	1
23	P1383535	NUT, PUSH ON CAP .312 OD	1

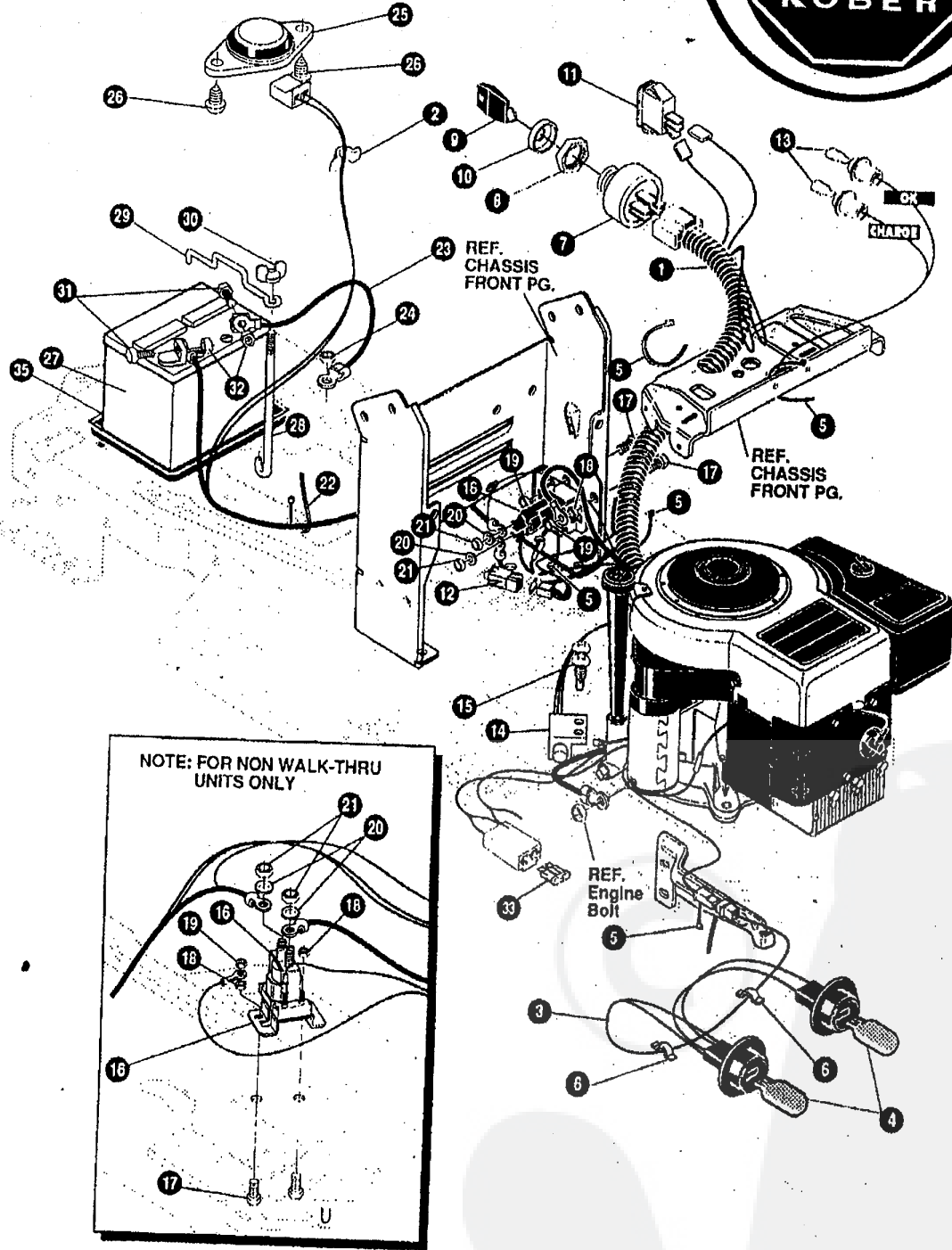
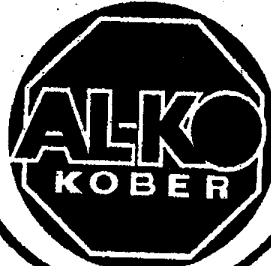
511.971121 (28)

D8

a	b	c	d	e	f
12/94					

T13/102 SD

Art.-No. 110.139



NOTE: FOR NON WALK-THRU UNITS ONLY

 A detailed view of a specific assembly point, showing the connection of wires and components. Callouts 16, 17, 18, 19, 20, and 21 point to various parts of this assembly.

511.971-22 (28)

a	b	c	d	e	f
12/94					

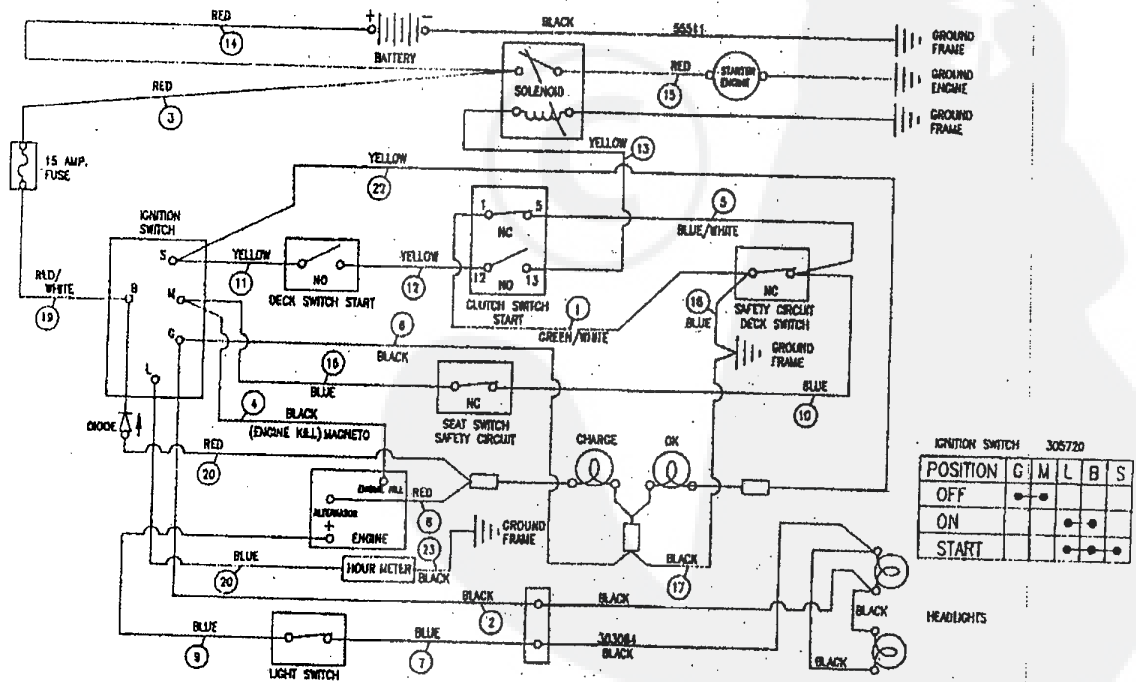
332732 B

T13/102 SD

Art.-No. 110.139



KEY#	PART#	DESCRIPTION	QTY
1	P138331395	HARNISS, 12.5HP, B&S, EURO 1&2, 1F, SUS	1
2	P13841482	PRESS CLIP, 1.380 LONG 255 ID	1
3	P138303064	ASSEMBLY, LIGHT WIRE 1/4 TURN	1
4	P13852572	BULB, HEADLAMP	1
5	P13857444	TIE, CABLE BLACK NYLON, 5.62 LONG	2
6	P13841482	PRESS CLIP, 1.380 LONG 255 ID	1
7	P138327355	SWITCH-IGNITION (AFTER FIRE) 3 POSITION	1
8	P138327352	NUT, 5/8-8 ACME DELTA FOR BOOT	1
9	P138327350	KEY, IGNITION	1
10	P138300194	BOOT, IGNITION SWITCH	2
11	P138328826	LIGHT SWITCH, PANEL MOUNT	1
12	P138320082	SWITCH, DOUBLE POLE, NO/NC GRAY	1
13	P13857769	BULB, INDICATOR	1
14	P13857476	SWITCH, SCREW MOUNT, DP, NC, NO, BLACK	2
15	P13857220	SCREW, #12 X .50 PHPNHTAP, BLACK	1
16	P13853716	SOLENOID	2
17	P138187745	SCREW, 1/4 20 X .75 HEXEMMA	1
18	P1381502	NUT, 1/4-20 REGHEXCTRLK	2
19	P138271172	NUT, 1/4-20 REGHEXKEPS	2
20	P138138485	WASHER, EXLK 320 X .61 X .03	1
21	P138120368	NUT, 5/16-24 REGHEX	2
22	P13857444	TIE, CABLE BLACK NYLON, 5.62 LONG	2
23	P13855511	WIRE, GROUND, 12.5"	1
24	P138271184	NUT, 5/16-18 HEXKEPS	1
25	P13857547	SWITCH, SEAT	1
26	P138160505	SCREW, 1/4-20 X .38 PHPNHMA	1
27	P13892693	BATTERY, 12V	2
28	P13857551	ROD, BATTERY	1
29	P13857552	ROD, BATTERY, TOP	1
30	P138325232	NUT, WING 1/4-20 NYLON	1
31	P138180020	SCREW, 1/4-20 X .75 HHC	1
32	P138271172	NUT, 1/4-20 REGHEXKEPS	2
35	P13891895	TRAY - BATTERY	1



IGNITION SWITCH 305720

POSITION	G	M	L	B	S
OFF	•	•	•	•	•
ON					
START					

511.971-23 (28)

D10

a	b	c	d	e	f
12/94					