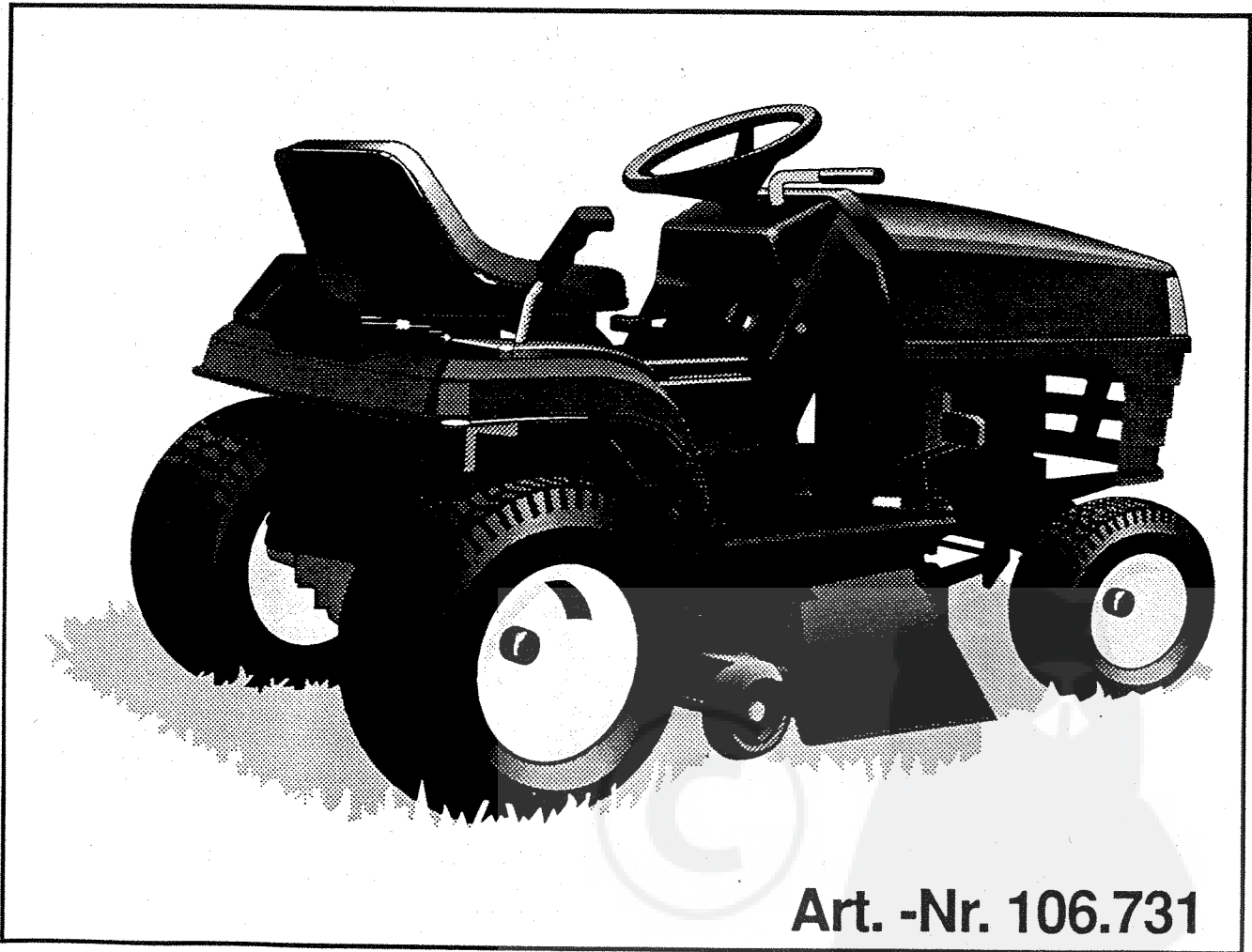


Rasentraktor T14/110SD  
T16/110SD

Art. Nr. 106.731



Art. -Nr. 106.731

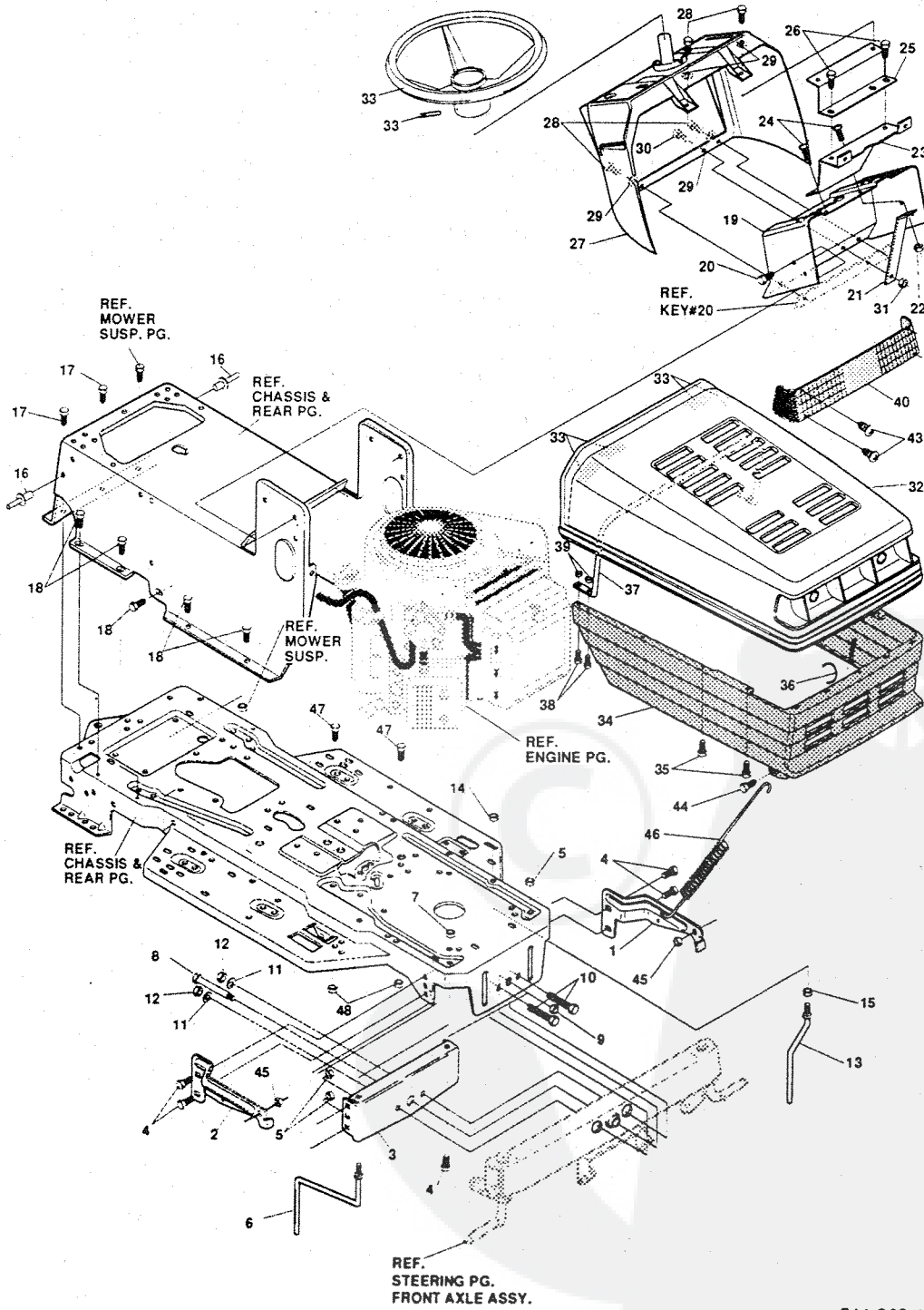
P138329326

a	b	c	d	e	f
01/93					

**C2**

Rasentraktor T14/110SD 4-WS  
 T16/110SD 4-WS  
 Gehäuse und Rahmen

106.731



511 648-1 (12)

a	b	c	d	e	f
1/93					

325877B

Rasentraktor T14/110SD 4-WS  
 T16/110SD 4-WS  
 Gehäuse und Rahmen

106.731



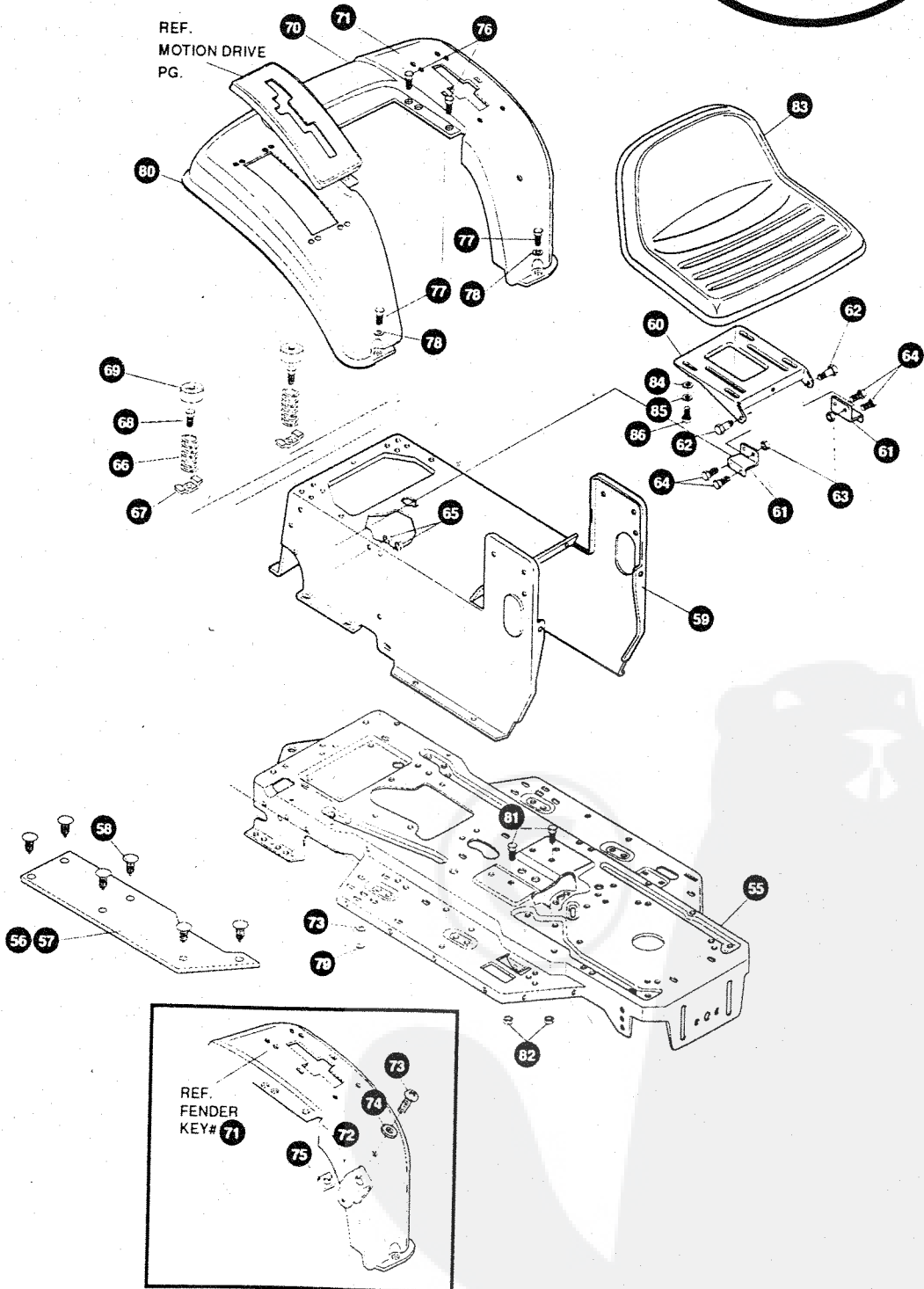
KEY#	PART#	DESCRIPTION	QTY.
1	P138326569-853	BRACKET,GRILLE LH	1
2	P138326568-853	BRACKET,GRILLE RH	1
3	P138313541-853	BRACKET, FRONT AXLE	1
4	P13856030	SCREW, 5/16-18X.75WDFLLK	5
5	P13855273	NUT, 5/16-18 HXWDFLLK	5
6	P138300440	GUIDE, BELT, RIDER	1
7	P1381498	NUT, 5/16-18 REGHEXCTRLK	1
8	P138308207	BOLT, .625X2.180 HSSH 1/2-13	1
9	P138309008	NUT, 1/2-13 REGHCTRLK	1
10	P138122207	SCREW, 3/8-16X3.00 HHC	2
11	P1382483	WASHER, 39IDX1.25DX.07 BELLVIL	2
12	P1381499	NUT, 3/8-16 REGHCTRLK	2
13	P138300635	GUIDE SHORT BELT RIDER 15"WH	1
14	P138124824	NUT, 5/16-18 HEXJAM	1
15	P138271190	NUT, 3/8-16 HEXKEPS	1
16	P13846763	RIVET, POP, .187DIA X .450LG	3
17	P13835497	SCREW, 5/16-18 X .50 WAHTAP	2
18	P138995346	SCREW, 1/4-20 X .50 WAHTAP	10
19	P13858312-853	SUPPORT, DASH	1
20	P138300303	SCREW, .25X.75X.75HHWAPLASTITE	2
21	P138300201-853	BRACE, DASH SUPT LOWER	1
22	P1381502	NUT, 1/4-20 REGHEXCTRLK	1
23	P138302530-853	BRKT, GAS TANK	1
24	P138995346	SCREW, 1/4-20 X .50 WAHTAP	2
25	P138300264-853	BRACE, DASH SUPT UPPER	1
26	P138995346	SCREW, 1/4-20 X .50 WAHTAP	2
27	P138305429	DASH,GP W/O GRAPHIC,SUS	1
28	P138995346	SCREW, 1/4-20 X .50 WAHTAP	4
29	P138316868	WASHER,SHOULDER NYLON .255X.46	4
30	P13844811	SCREW, 1/4-20 X .75 HXWATAP	1
31	P1381502	NUT, 1/4-20 REGHEXCTRLK	1
32	P138307033	HOOD	1
33	P138318197	PAD,ADHESIVE 1.00 X	4
34	P138303037	GRILL,LWR GPWR	1
35	P138300302	SCREW, #10 X .50 HHTAPPST	4
36	P138310203	CLIP,HOG RING C-SHAPED	1
37	P138301425	BRACE,HOOD SUPPORT	1
38	P138301542	SCREW, 1.0-2451.00HWATAPBLKPHOS	4
39	P138271166	NUT, #10-24 HEXKEPS	4
40	P138302333	LENS, SMOKED W/TAB	1
43	P13857796	SCREW, #6 X .50 PLASTITE	4
44	P13856676	BOLT, .375X .580 HSSH 5/16-18	2
45	P1381498	NUT, 5/16-18 REGHEXCTRLK	2
46	P13857478	SPRING, HOOD LATCH	2
47	P138180079	SCREW 5/16-18X 1.00 HHC	2
48	P1381498	NUT, 5/16-18 REGHEXCTRLK	2
49	P138301251	STEERING WHEEL	1
50	P138456378	ROLL PIN	1

511 648-1 (12)

a	b	c	d	e	f
1/93					

Rasentraktor T14/110SD 4-WS  
 T16/110SD 4-WS  
 Gehäuse und Rahmen

106.731



511 648-2 (12)

a	b	c	d	e	f
1/93					

325905A

**C5**

Rasentraktor T14/110SD 4-WS  
 T16/110SD 4-WS  
 Gehäuse und Rahmen

106.731



KEY#	PART#	DESCRIPTION	QTY.
55	P138326579-860	FRAME, LF MAIN 930/4360	1
56	P138310005	FOOTPAD LH	1
57	P138310006	FOOTPAD RH	1
58	P138309235	FASTENER, RATCHET	12
59	P138327575-860	CONSOLE, G.P.NON-WALKTHRU	1
60	P13858367-860	PLATE, SEAT	1
61	P138310660-860	BRACKET, F-5 SEAT SUPPORT	1
62	P13820507	BOLT, .437X .156 HSSH 5/16-18	2
63	P1381498	NUT, 5/16-18 REGHEXCTRLK	2
64	P13848901	SCREW, 5/16-18X .63 HHC	4
65	P1381498	NUT, 5/16-18 REGHEXCTRLK	4
66	P13857153	SPRING,SEAT 2.63LG,1.49OD	2
67	P1381341	CLAMP,SPRING 1.17"ID	2
68	P13844811	SCREW, 1/4-20X .75 HWATAP	2
69	P13856907	COVER,SEAT SPRING 1.5IDX1.0LG	2
70	^	FENDER, ASM F-5 SUSP.	1
71	P138308653-860	FENDER F5 SUSP	1
72	P1389239	CLEVIS	1
73	P138439455	SCREW, 5/16-18X.56 PHPNMA BR PH	1
74	P138301551	WASHER, .344IDX1.50ODX.09	1
75	P138120373	NUT, 5/16-18 SQ.	1
76	P138995346	SCREW, 1/4-20X .50 WAHTAP	4
77	P138122017	SCREW, 5/16-18X1.00 HHC	2
78	P138446363	WASHER, FLAT .375X .88X.082	4
79	P1381498	NUT, 5/16-18 REGHEXCTRLK	2
80	P13855023	TRIM,STRIP,BLACK	
81	P138180079	SCREW, 5/16-18X1.00 HHC GR.5	2
82	P1381498	NUT, 5/16-18 REGHEXCTRLK	2
83	P13857455	SEAT GENERIC	1
84	P138120393	WASHER,FLAT .344X.69X.065	4
85	P138120638	WASHER, HVSPTLK	4
86	P138122007	SCREW, 5/16-18X.75 HHC	4

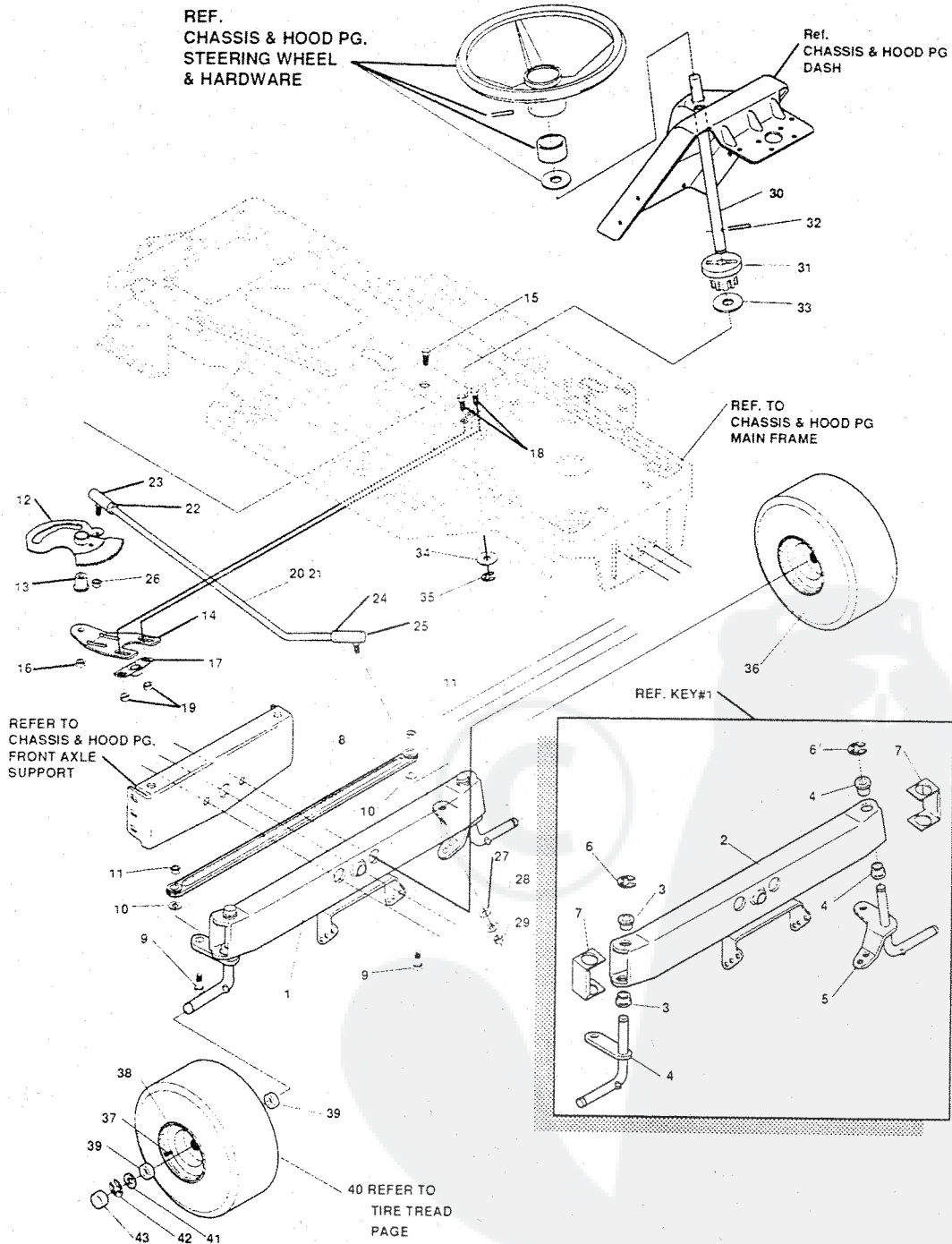
^ ORDER INDIVIDUAL PARTS

511 648-2 (12)

a	b	c	d	e	f
1/93					

Rasentraktor T14/110SD 4-WS  
 T16/110SD 4-WS  
 Lenkung

106.731



511 648-3 (12)

a	b	c	d	e	f
1/93					

317127E

**C7**

Rasentraktor T14/110SD 4-WS  
 T16/110SD 4-WS  
 Lenkung

106.731



KEY#	PART#	DESCRIPTION	QTY.
1	^	AXLE,FRONT ASSY	1
2	P138300272-860	ASSY,FRONT AXLE SUS	1
3	P13852407	SPINDLE BEARING	4
4	P1389180	ASSY,SPINDLE RH LONG	1
5	P138314088	ASSY,SPINDLE,LH LONG	1
6	P13836625	RING, RETEX .57X.05TRU5133-75	2
7	P13853373-860	AXLE COVER	2
8	P138304590	TIE ROD ASSY 19.81LG W-SECTION	1
9	P138180128	SCREW, 3/8-16X1.75 HHC	2
10	P138120382	WASHER, REGSPTLK.393X.68X.10	2
11	P138120369	NUT, 3/8-24 REGHEX	2
12	P138313634	ASSY SECTOR GEAR 4WS LF	1
13	P138313629	BUSHING,SECTOR GEAR 4WS LF	1
14	P138313671-853	SUPPORT,SECTOR GEAR 4WS LF	1
15	P138315196	SCREW, 1/2-20X3.00 HHC	1
16	P138274654	NUT, 1/2-20 REGHXCTRLK	1
17	P138302498	BEARING FLANGE 0.5 BORE	1
18	P138323731	SCREW, 5/16-24X.75SQ. CONE SEMS	2
19	P13871100	NUT, 5/16-24 HXWDFLLK	2
20	P138323752	ASM. DRAGLINK 4 WS LF	1
21	P138321449	DRAG LINK .625 DIA LF 4WS	1
22	P138124925	NUT, 3/8-24 REGHEXJAM	1
23	P13857158	BALL JOINT 3/8 THD SHORT STUD	1
24	P138272123	NUT, 7/16-20 HXJAM	1
25	P138302865	JOINT, BALL ASSY 7/16-20	1
26	P13846692	NUT, 3/8-24 WDFLHLK WHIZ	1
27	P138120396	WASHER, FLAT .531X1.06X.095	1
28	P138120383	WASHER, REGSPTLK.459X.78X.12	1
29	P138271506	NUT, 7/16-20 REGHX	1
30	P138313699	SHAFT, STEERING 4WS LF	1
31	P138302314	PINION STEERING	1
32	P138302524	PIN DOWEL STR ERO LT	1
33	P138315194	WASHER,FLAT 1.38 X .51X.043	1
34	P1382968	WASHER, FLAT .504X.75X.059	1
35	P13820864	RING, RET E .39X.04TRU5133-50	1
36	^	TIRE & RIM, PU 15X6.0X6 TURF	2
37	P13824167	VALVE STEM	1
38	P13839829	WHEEL W/BRG.	1
39	P13839979	BEARING	1
40	P138301140	REFER TO TIRE TREAD PAGE	
41	P138642	WASHER, FLAT .755X1.31X.075	4
42	P13836625	RING, RETEX .57X.05TRU5133-75	2
43	P13840394	CAP, HUB	2

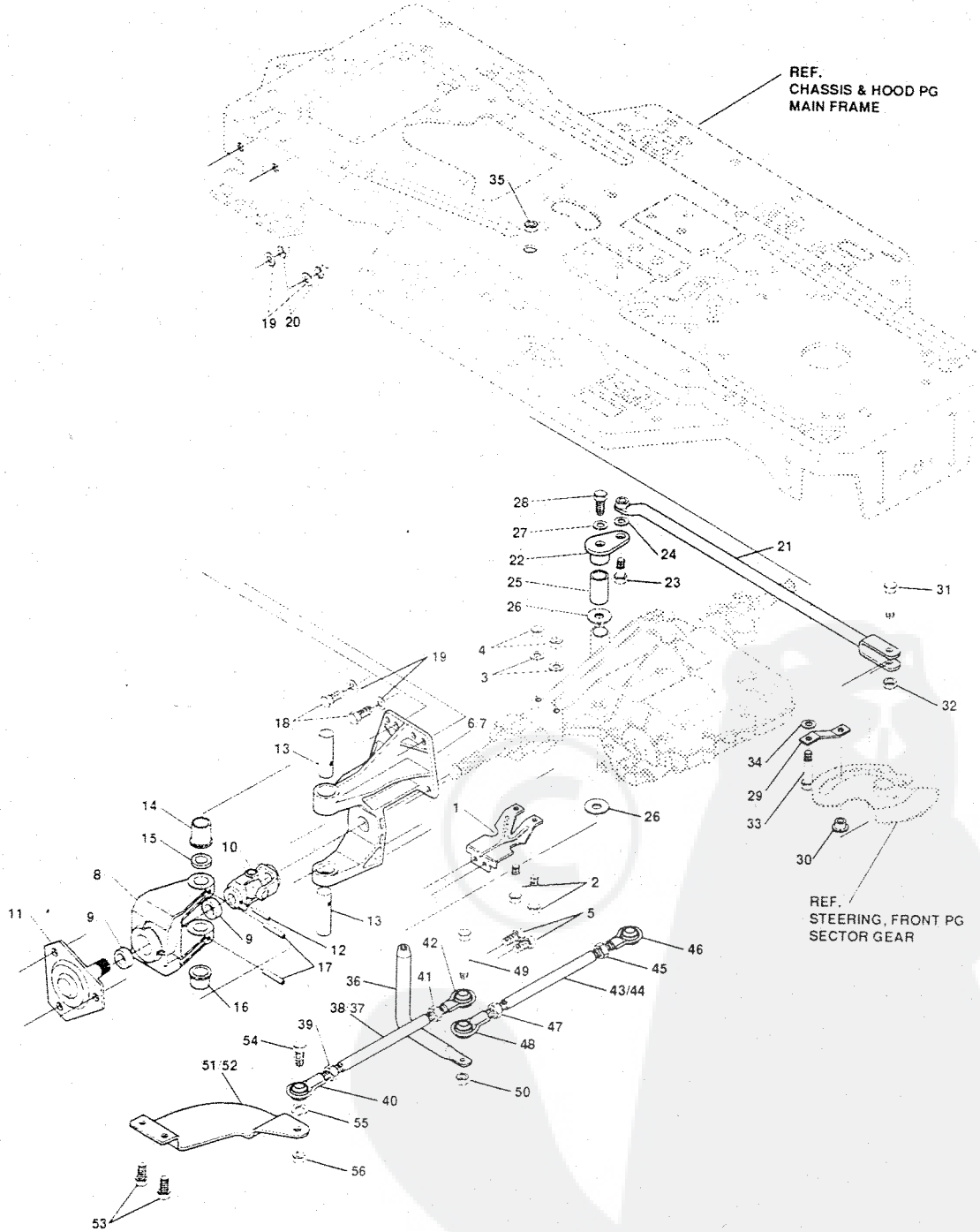
^ ORDER INDIVIDUAL PARTS.

511 648-3 (12)

a	b	c	d	e	f
1/93					

Rasentraktor T14/110SD 4-WS  
 T16/110SD 4-WS  
 Vierradlenkung

106.731



511 648-4 (12)

a	b	c	d	e	f
1/93					

**C9**

326137A



Rasentraktor T14/110SD 4-WS  
T16/110SD 4-WS  
Vierradlenkung

106.731



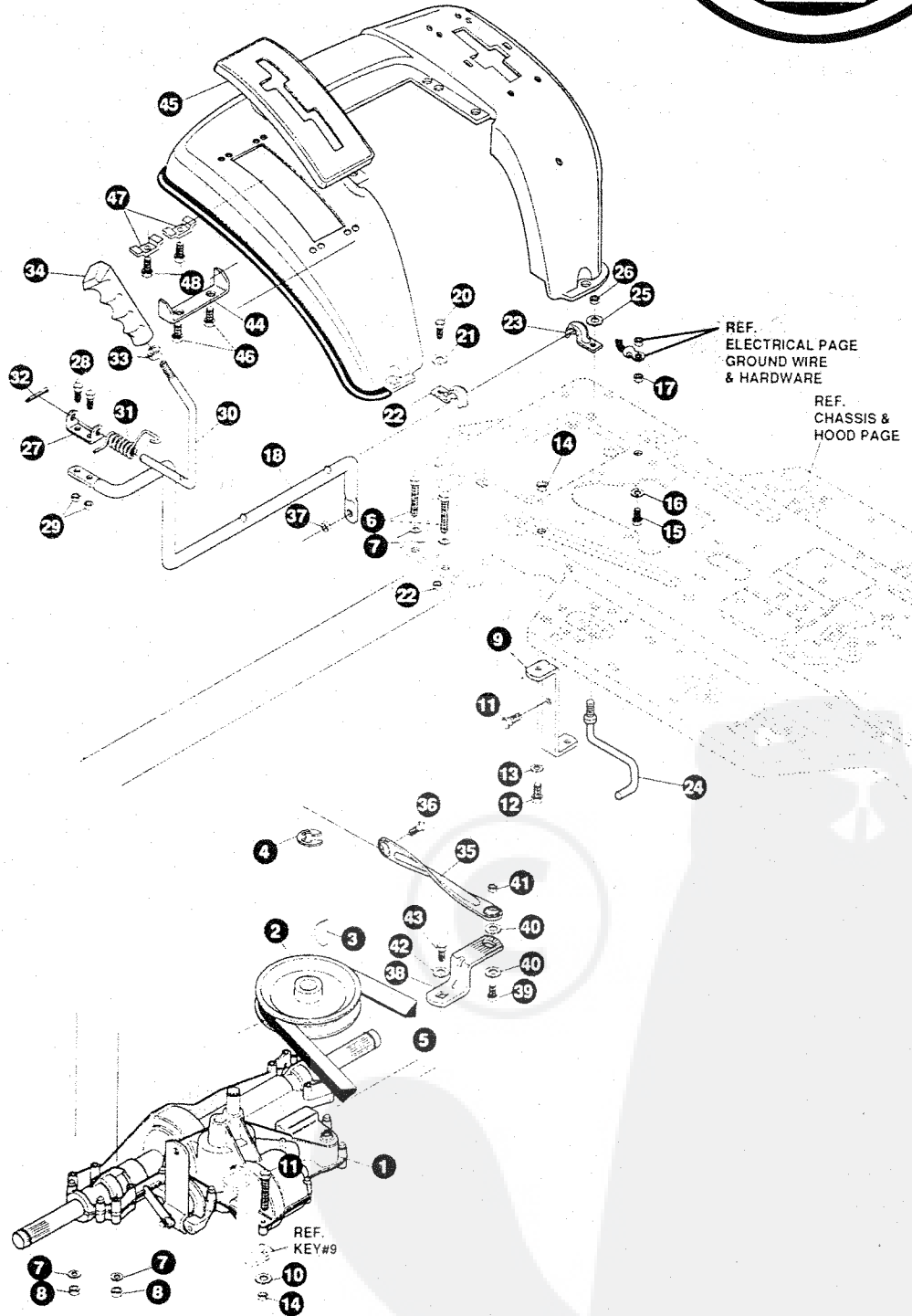
KEY#	PART#	DESCRIPTION	QTY.
1	P138303222-853	BRKT X-AXLE MTG	2
2	P138180091	SCREW, 5/16-18X2.50 HHC	4
3	P138120393	WASHER, FLAT .344X .69X.065	4
4	P1381498	NUT, 5/16-18 REGHEXCTRLK	4
5	P13835498	SCREW, 5/16-18X .75 WAHHTAP	4
6	P138326135	U-JOINT ASM. 4WS LD LF	2
7	P138314267	BRKT,STRG PIVOT W/DRILL HOLES	2
8	P13812465	BRACKET,STR PIVOT	2
9	P13812325	BEARING	4
10	P138320531	U-JOINT ASSEMBLY (LONG)	2
11	P13812280-830	HUB ASSEMBLY GREY 861	2
12	P13836311	PIN, GROOVED .250 DIA X 1.50LG	2
13	P13812289	PIN, STEERING HINGE	4
14	P13812288	BUSHING, SHOULDERED (OILITE	2
15	P13821682	WASHER, FLAT .765X1.25X.042 PL	2
16	P13812321	BUSHING, SHOULDERED (OILITE	2
17	P138456722	PIN, SPRING 250DIA X 1.50LG HVPL	4
18	P138122017	SCREW, 5/16-18X1.00 HHC	8
19	P138120393	WASHER, FLAT .344X .69X.065	16
20	P1381498	NUT, 5/16-18 REGHEXCTRLK	8
21	P138324514	ROD ASM, DRAGLINK	1
22	P138308719	PIVOT, STEERING	1
23	P13812319	BOLT, .562X .340 HHSH 3/8-24	1
24	P138120394	WASHER, FLAT .406X .81X.065	1
25	P138304115	SPACER, STEERING SHAFT	1
26	P13825177	WASHER, FLAT .765X1.19X.048	2
27	P13845602	WASHER, FLAT .333X .87X.119	1
28	P138421051	SCREW, 5/16-24X1.00 HHC	1
29	P138302594	ARM ROLLER SWING 4 W	1
30	P138304116	CAM YOKE ROLLER	1
31	P138304122	SHOULDER BOLT CAM ROLLER	1
32	P138274654	NUT, 1/2-20 REGHXCTRLK	1
33	P138324638	SHOULD BOLT CAM FOLLOWER	1
34	P138996307	WASHER, FLAT .391X1.00X.209	1
35	P138412349	NUT, 3/8-24 HXCTRLK	1
36	P138308720	SHAFT, STEERING PIVOT	1
37	P138323634	TIE ROD ASSY RH	1
38	P138308447	ROD, TIE 1/2"D X 8.00LG	1
39	P138308399	NUT, 3/8-24 LH THD REGHJAM	1
40	P138308384	ROD, TIE END LH 3/8-24 EURO	1
41	P138124925	NUT, 3/8-24 REGHEXJAM	1
42	P138304260	ROD, TIE END RH	1
43	P138323635	TIE ROD ASSY LH	1
44	P138308446	ROD, TIE 1/2"D X 9.5LG	1
45	P138308399	NUT, 3/8-24 LH THD REGHJAM	1
46	P138308384	ROD, TIE END LH 3/8-24 EURO	1
47	P138124925	NUT, 3/8-24 REGHEXJAM	1
48	P138304260	ROD, TIE END RH	1
49	P138181646	SCREW, 3/8-24X1.75 HHC	1
50	P138412349	NUT, 3/8-24 HXCTRLK	1
51	P138304120-853	ARM RW STR ERO RH	1
52	P138304121-853	ARM RW STR ERO LH	1
53	P13839728	SCREW, 3/8-16X .75WAHHTAP BK	4
54	P138181639	SCREW, 3/8-24X1.25 HHC	2
55	P138120382	WASHER, REGSPTLK.393X.68X.10	2
56	P138412349	NUT, 3/8-24 HXCTRLK	2

511 648-4 (12)

a	b	c	d	e	f
1/93					

Rasentraktor T14/110SD 4-WS  
 T16/110SD 4-WS  
 Getriebe mit Bedienungselementen

106.731



511 648-5 (12)

a	b	c	d	e	f
1/93					

326614A

**C11**

Rasentraktor T14/110SD 4-WS  
 T16/110SD 4-WS  
 Getriebe mit Bedienungselementen

106.731



KEY#	PART#	DESCRIPTION	QTY.
1	^	TRANSAXLE P940-002 6SP	1
2	P138303109	PULLEY, V4L 920TA	1
3	P1383021	KEY, WDRF 606 .750X.187X.312	1
4	P13822053	RING, RETEX .58X.04TRU5100-62	1
5	P138314120	BELT, V 4L 87.25	1
6	P138180089	SCREW, 5/16-18X2.25 HHC	4
7	P138120393	WASHER, FLAT .344X .69X.065	8
8	P1381498	NUT, 5/16-18 REGHEXCTRLK	4
9	P138325202	STABILIZER BRKT	1
10	P138122065	SCREW, 5/16-18X 2.00 HHC	2
11	P13850947	SCREW, 3/8-16X1.25 WAHTAP	1
12	P138122017	SCREW, 5/16-18X1.00 HHC	1
13	P138120393	WASHER, FLAT .344X .69X.065	2
14	P1381498	NUT, 5/16-18 REGHEXCTRLK	2
15	P138122007	SCREW, 5/16-18X .75 HHC	1
16	P138138538	WASHER, REGINTLK.320X.61X.03	1
17	P1381498	NUT, 5/16-18 REGHEXCTRLK	1
18	P138325302-853	LEVER, SHIFT, LF 940	1
19	P138310347-853	CLIP-SHIFT LEVER .62 ROD	1
20	P138180077	SCREW, 5/16-18X .75 HHC	1
21	P138996416	WASHER, FLAT .391X1.00X.125	1
22	P1381498	NUT, 5/16-18 REGHEXCTRLK	1
23	P138310347-853	CLIP-SHIFT LEVER .62 ROD	1
24	P13857259	GUIDE, BELT 5/16-18THD	1
25	P138996416	WASHER, FLAT .391X1.00X.125	1
26	P1381498	NUT, 5/16-18 REGHEXCTRLK	1
27	P138310356	PIVOT BRKT LEVER	1
28	P138180018	SCREW, 1/4-20X .62 HHC	2
29	P1381502	NUT, 1/4-20 REGHEXCTRLK	2
30	P138309635	LEVER, SHIFT UPPER SF 1/2-13TH	1
31	P138310265	SPRING, TORS .56X.95X.095	1
32	P138137185	PIN, COTTER .125 DIA X1.00LG	1
33	P138120238	NUT, 1/2-13 HEXJAM	1
34	P138306690	HANDLE 1/2-13	1
35	P138325192	LINK TIE ROD SHIFTER P-940-6	1
36	P138180124	SCREW, 3/8-16X1.25 HHC	1
37	P1381499	NUT, 3/8-16 REGHXCTRLK	1
38	P138327460	BRACKET, SHIFT 6SP LF	1
39	P138180124	SCREW, 3/8-16X1.25 HHC	1
40	P138120394	WASHER, FLAT .406X .81X.065	2
41	P1381499	NUT, 3/8-16 REGHXCTRLK	1
42	P13857157	WASHER, .750X.250 SP-TRANSAXLE	1
43	P13856255	SCREW, 1/4-28X .75 NYLHHC	1
44	P138311257-853	BRACKET COVER	1
45	P138311209	COVER PLASTIC	1
46	P138311331	SCREW, 1/4-15X.44' .53 HILOHWWA	2
47	P1381341	CLAMP SPRING	2
48	P138311331	SCREW, 1/4-15X.44' .53 HILOHWWA	2

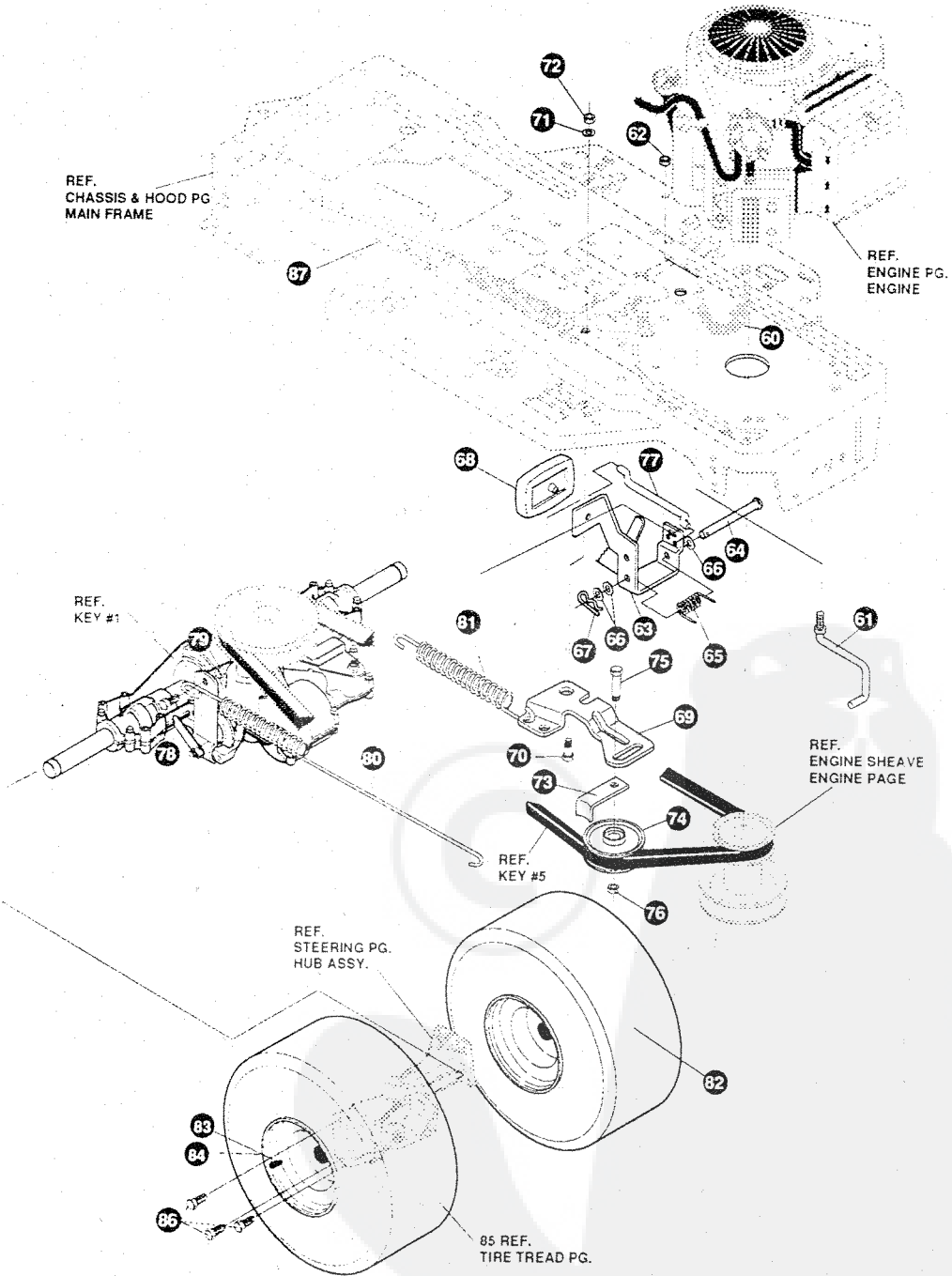
^ CONTACT YOUR NEAREST TRANSAXLE DEALER FOR PARTS AND SERVICE.

511 648-5 (12)

a	b	c	d	e	f
1/93					

Rasentraktor T14/110SD 4-WS  
 T16/110SD 4-WS  
 Getriebe mit Bedienungselementen

106.731



511 648-5 (12)

a	b	c	d	e	f
1/93					

Rasentraktor T14/110SD 4-WS  
 T16/110SD 4-WS  
 Getriebe mit Bedienungselementen

106.731



KEY#	PART#	DESCRIPTION	QTY.
60	P138321514	SPRING BIAS DRAGLINK	1
61	P138304016	GUIDE BELT	1
62	P1381498	NUT, 5/16-18 REGHEXCTRLK	1
63	P138325942	PEDAL ASSY,BRAKE/CLUTCH	1
64	P138319675	ROD,PIVOT	1
65	P13857847	SPRING, BRAKE PEDAL	1
66	P1382968	WASHER, FLAT .504X .75X.059	3
67	P13856180	PIN, HAIR	1
68	P13848160	PAD, CLUTCH BRAKE	1
69	P138320381-853	ARM,IDLER TRACTION DR.	1
70	P138300793	BOLT, .625X .135 HSSH 5-16-18	1
71	P13845602	WASHER, FLAT .333X .87X.119	1
72	P1381498	NUT, 5/16-18 REGHEXCTRLK	1
73	P13839659	RETAINER, STRAP BELT	1
74	P13835374	PULLEY, IDLER V4L 3.06X .62	1
75	P13845892	BOLT, 3/8-16X1.50 CARR	1
76	P1381499	NUT, 3/8-16 REGHXCTRLK	1
77	P13857204	ROD, CLUTCH	1
78	P138326131	BOLT, .495X.37 HSSH 5-16-18	1
79	P1381498	NUT, 5/16-18 REGHEXCTRLK	1
80	P138325910	BRAKE SPRING	1
81	P138313660	SPRING,CLUTCH .113X.750X8.75	1
82	^	TIRE & RIM, PU 20-10X8 GENERIC	2
83	P13824167	VALVE STEM	1
84	P138316667	RIM, WHEEL 20X8	1
85	P13858276	TIRE, PU 20X10X8 SQSH	1
86	P138123418	SCREW, 1/2-20X .50 HHC	6
87	P138313039	DECAL,4WS PATENT NO. 5048853	1

^ ORDER INDIVIDUAL PARTS

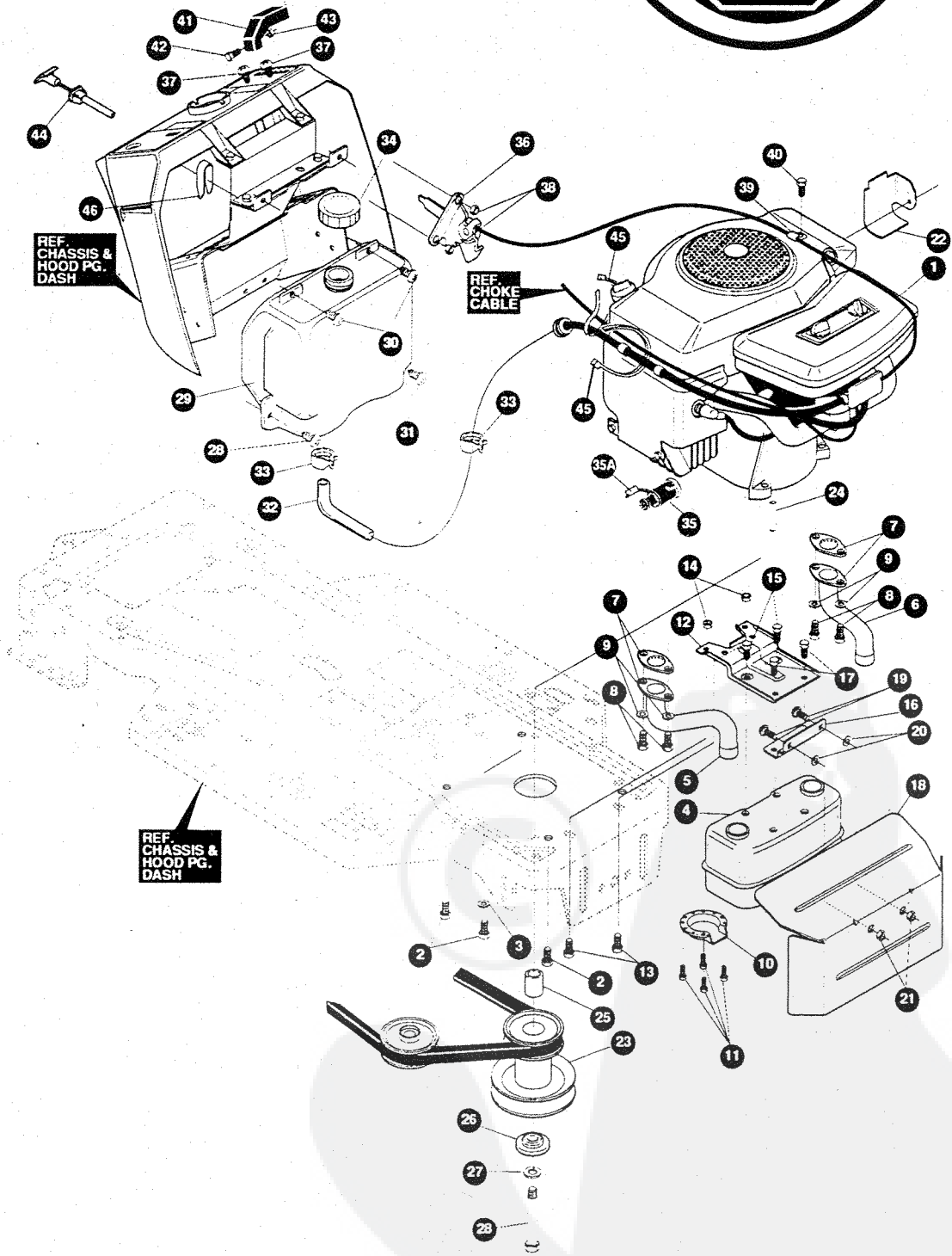
511 648-5 (12)

a	b	c	d	e	f
1/93					

**C14**

Rasentraktor T14/110SD 4-WS  
 T16/110SD 4-WS  
 Motor mit Bedienungselementen

106.731



511 648-7 (12)

a	b	c	d	e	f
1/93					

326268C

**D1**

Rasentraktor T14/110SD 4-WS  
T16/110SD 4-WS  
Motor mit Bedienungselementen

106.731



KEY#	PART#	DESCRIPTION	QTY.
1	^	14-18HPBSTWIN OPPOSED I/C DUAL CIRCUIT	1
2	P13850947	SCREW, 3/8-16X1.25 WAHHTAP	4
3	P138138489	WASHER, EXLK .384X.69X.04	1
4	P138305550	MUFFLER 15HP B&S VANG 18 TWIN	1
5	P138305552	EXHAUST TUBE 18HP RH B&S VANG	1
6	P138305551	EXHAUST TUBE 18HP LH B&S VANG	1
7	P13856440	GASKET MUFFLER	2
8	P138180020	SCREW, 1/4-20X.75 HHC GR5	4
9	P138120380	WASHER, REGSPTLK .263X.49X.07	4
10	P13856472	DEFLECTOR SIDE OUT (BS222573)	1
11	P13835287	SCREW, #8-32X .38 HHWATAPGR2	4
12	P138304709-853	BRACKET, MUFFLER	1
13	P13856030	SCREW, 5/16-18X.75WDFLLK	2
14	P13855273	NUT, 5/16-18 HXWDFLLK	2
15	P138995346	SCREW, 1/4-20X .50 WAHHTAP	2
16	P1389796	BRKT, TRANSAXLE	1
17	P138995338	SCREW, 1/4-20X .63 HHWATAP	2
18	P138308644-853	HEAT SHIELD.MUFFLER 14-18 TWIN OPP	1
19	P138126211	BOLT, 5/16-18X .63 CARR	2
20	P138309436	PUSHNUT, 5/16 BOLT RETAINER	2
21	P13855273	NUT, 5/16-18 HXWDFLLK	2
22	P13856470-853	DEFLECTOR COOL AIR	1
23	P138316802	PULLEY,ENG 4.40OFF/5.00D/3.00D	1
24	P13857791	KEY, SQUARE .250SQX5.00LG	1
25	P138304246	SPACER, 1.01X1.484 ENGIN PULLEY	1
26	P13856431	WASHER, .980IDX1.38ODX.437PILOT	1
27	P138120383	WASHER, REGSPTLK.459X.78X.12	1
28	P138428644	SCREW, 7/16-20X5.00 HHC	1
29	P138314991	TANK,FUEL 2-GAL GPWR	1
30	P138300303	SCREW, 1/4-10X .75PHPNTAPGR2	2
31	P138995346	SCREW, 1/4-20X.50	2
32	P13848049	GAS LINE .25ID BULK LENGTH	15.50
33	P13847345	CLAMP, FUEL LINE	2
34	P138300304	CAP, FUEL - 2.0 THROAT	1
35	P138325547	OIL DRAIN ITW	1
35A	P138327422	OIL DRAIN CAP	1
36	P138300510	THROTTLE,CONTROL 31.50LG	1
37	P138320553	SCREW, 10-24X .63PHPNMA GR2BK	2
38	P138271166	NUT, #10-24 HEXKEPS	2
39	P13857569	RETAINER, .311DX.62X.03 WIRE	1
40	P13835258	SCREW #10-24X .38 SLHWATAP GR2	1
41	P138300508	KNOB,THROTTLE CONTROL HANDGRIP	1
42	P138159585	SCREW, #8-32X .38 PHPNMA	1
43	P138120622	NUT, #8-32 REGHX	1
44	P138300425	CHOKE CONTROL 31.5LG .12PAN	1
45	P13857444	TIE CABLE BLACK NYLON 5.621	2
46	P138314522	CLIP,CHOKE RETAINER	1

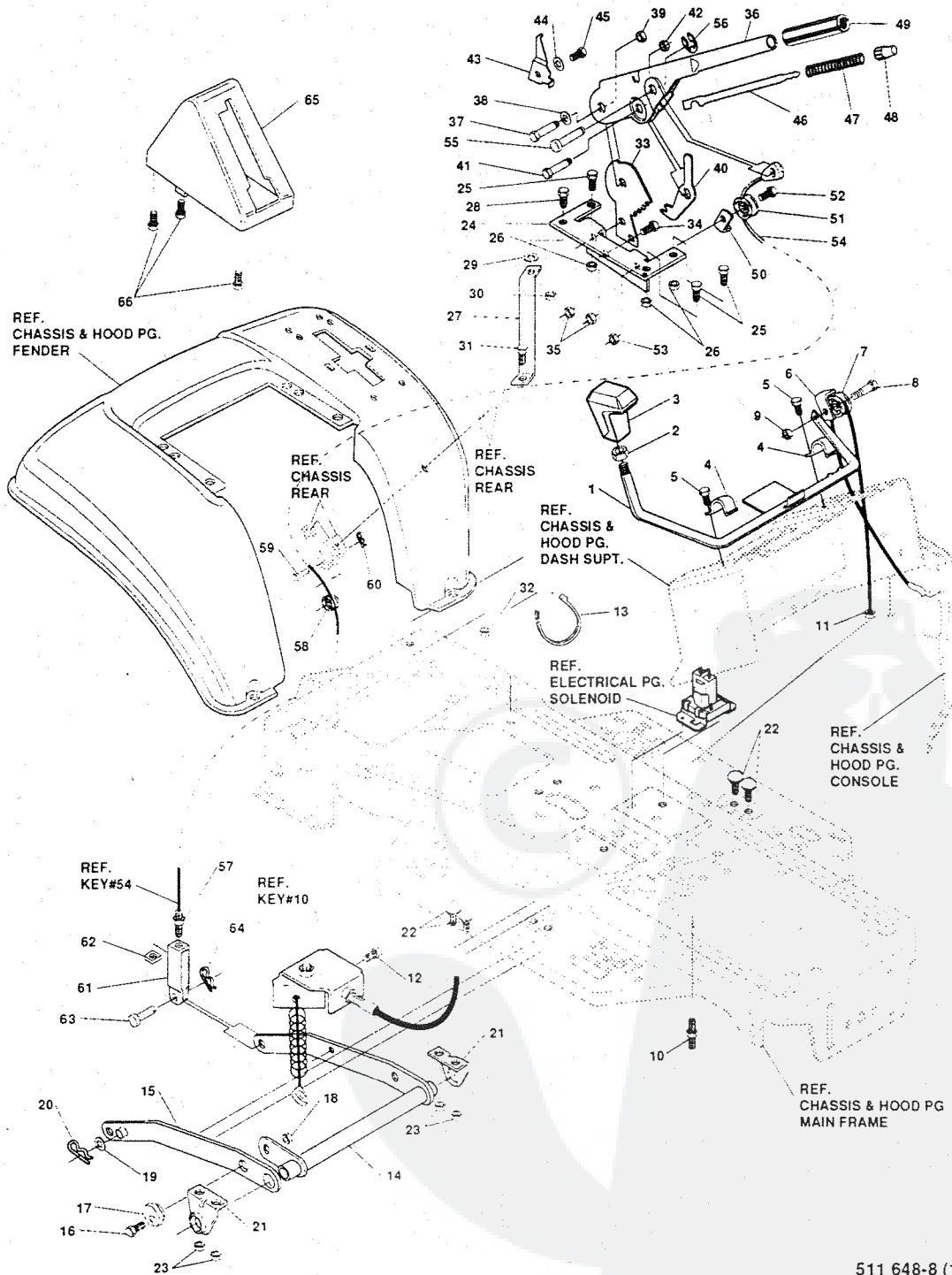
^ SEE ENGINE MANUAL

511 648-7 (12)

a	b	c	d	e	f
1/93					

Rasentraktor T14/110SD 4-WS  
 T16/110SD 4-WS  
 Bedienungselemente Mähwerk

106.731



511 648-8 (12)

a	b	c	d	e	f
1/93					

315597F

**D3**



Rasentraktor T14/110SD 4-WS  
 T16/110SD 4-WS  
 Bedienungselemente Mähwerk

106.731



KEY#	PART#	DESCRIPTION	QTY.
1	P1389792	ASSY.WELD.CLUTCH HANDLE	1
2	P138120238	NUT. 1/2-13 HEXJAM	1
3	P138304438	KNOB.SHIFT NOMA 1/2-13	1
4	P1389129	CLIP. RETAINING BRKT	2
5	P138995338	SCREW. 1/4-20X .63 HHWATAP	2
6	P1381288	BRACKET.CABLE RETAINER	1
7	P13848306	PULLEY. .906X.305 NYLON	1
8	P13857322	BOLT. .375X .375 HSSH 1/4-20	1
9	P1381502	NUT. 1/4-20 REGHEXCTRLK	1
10	P138301491	ASSY.CL. CABLE GEN PWR	1
11	P138120613	NUT. 1/4-28 HJAM	1
12	P3835498	SCREW. 5/16-18X .75 WAHHTAP	1
13	P13857444	TIE. CABLE BLACK NYLON 5.62L	1
14	P138300158-853	ASSY.REAR LIFT	1
15	P138300169-853	ASSY.LINK.RIGHT SIDE	1
16	P138180079	SCREW. 5/16-18X1.00 HHC	1
17	P13858247	ADJUSTING NUT	1
18	P1381498	NUT. 5/16-18 REGHEXCTRLK	1
19	P138417098	WASHER. FLAT .531X1.06X.095	2
20	P1388260	PIN. HAIR .091 DIA X1.66LG	2
21	P13858248-853	BRACKET.REAR HANGER SUSP.	2
22	P138126211	BOLT. 5/16-18X .63 CARR	4
23	P1381498	NUT. 5/16-18 REGHEXCTRLK	4
24	P138313926	BRACKET.HEIGHT ADJUST	1
25	P138180077	SCREW. 5/16-18X .75 HH	3
26	P1381498	NUT. 5/16-18 REGHEXCTRLK	3
27	P138300336-860	BRACE. FENDER F-5 SUS	1
28	P138180079	SCREW. 5/16-18X1.00 HHC	1
29	P13845502	WASHER. FLAT .333X .87X.119	1
30	P1381498	NUT. 5/16-18 REGHEXCTRLK	1
31	P138180079	SCREW. 5/16-18X1.00 HHC	1
32	P1381498	NUT. 5/16-18 REGHEXCTRLK	1
33	P138301238	QUADRANT.HEIGHT ADJUST	1
34	P138180077	SCREW. 5/16-18X .75 HHC	2
35	P1381498	NUT. 5/16-18 REGHEXCTRLK	2
36	P138322292-853	HANDLE.LIFT HEIGHT ADJUST	1
37	P138300171	BOLT. .500X .270 HSSH 5/16-18	1
38	P138996418	WASHER. FLAT .506X .75X.024	1
39	P13844108	NUT. 5/16-18 HWDFLCTRLK	1
40	P138301239	PAWL. HEIGHT ADJUST	1
41	P138300171	BOLT. .500X .270 HSSH 5/16-18	1
42	P13844108	NUT. 5/16-18 HWDFLCTRLK	1
43	P1389435	POINTER.HEIGHT ADJUST	1
44	P138138479	WASHER. EXLK.195X.41X.03	1
45	P13835287	SCREW. #8-32X .38 HHWATAPGR2	1
46	P138303027	ROD.ACTUATOR-SHORT	1
47	P13858326	SPRING. HEIGHT ADJUST	1
48	P13858325	KNOB.HEIGHT ADJUST PUSH BUTTON	1
49	P13858329	GRIP. .750 OD W/ HOLE BLK	1
50	P1389149	BRACKET.CABLE RETAINER	1
51	P13848306	PULLEY. .906X.305 NYLON	1
52	P13853336	BOLT. .375X .375 HSSH 1/4-20	1
53	P1381502	NUT. 1/4-20 REGHEXCTRLK	1
54	P138314177	CABLE. LIFT 23 30 F-5 20X8-8	1
55	P138300310	PIN.CLEVIS .310DIA+ .475LG	1
56	P138300311	RING. RET E .31X.24	1
57	P138120375	NUT. 1/4-20 REGHEX	1
58	P13848306	PULLEY. .906X.305 NYLON	1
59	P138300317	PIN. CLEVIS .38 DIA X1.00 LG	1
60	P1388250	PIN. HAIR .091 DIA X1.66LG	1
61	P1389405	CLEVIS. LIFT CABLE	1
62	P138120372	NUT. 1/4-20 REGSQ	1
63	P13839522	PIN. CLEVIS .312 X .812	1
64	P138121222	PIN. COTTER .090 .086X .75LG	1
65	P138300335	LIFT COVER-39" F5	1
66	P138300340	SCREW. #10 X .75 HHPLAST	3

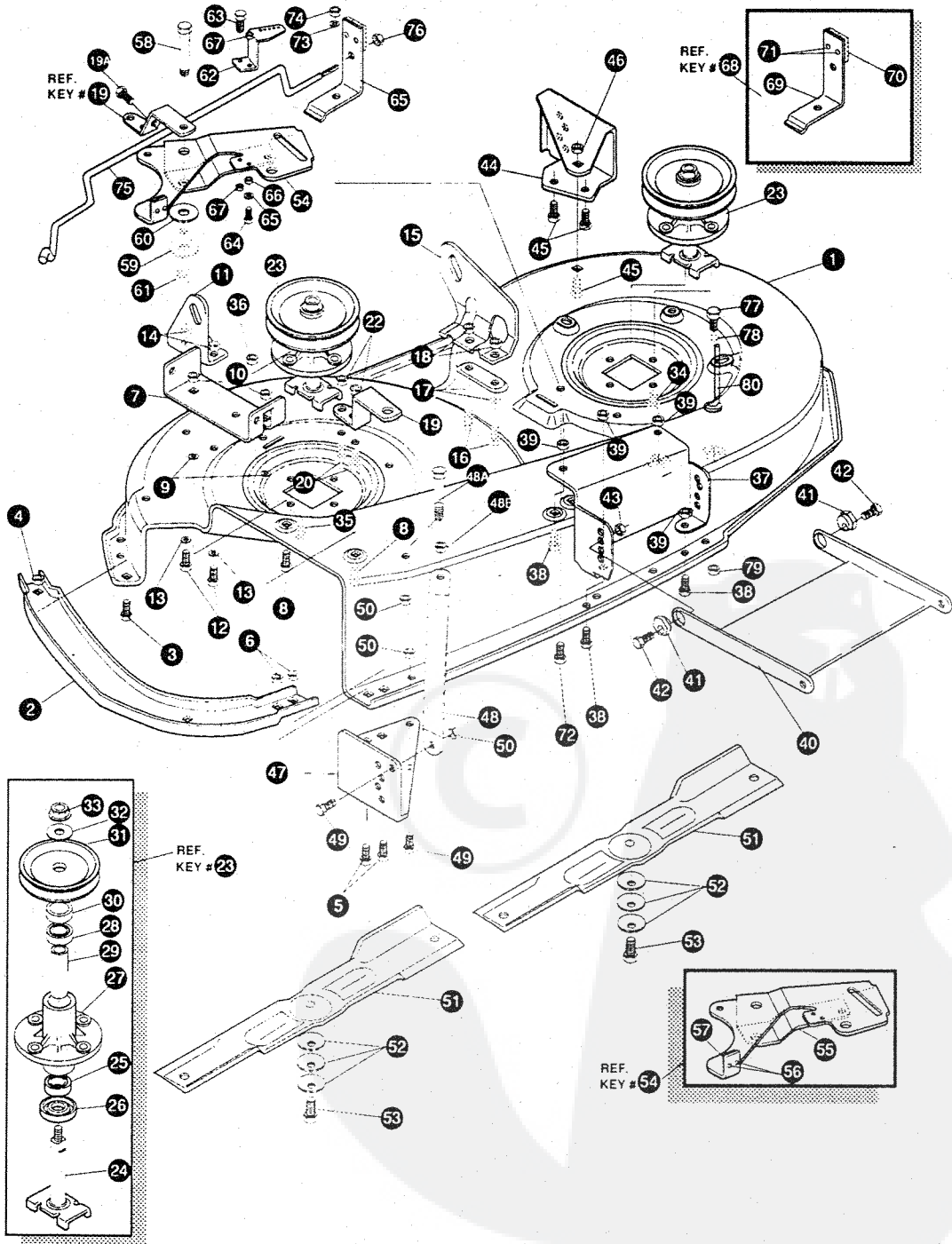
511 648-8 (12)

a	b	c	d	e	f
1/93					

Rasentraktor T14/110SD 4-WS  
T16/110SD 4-WS

106.731

Mähwerk



511 648-9 (12)

a	b	c	d	e	f
1/93					

324144E

**D5**

Rasentraktor T14/110SD 4-WS  
T16/110SD 4-WS

106.731

Mähwerk



KEY#	PART#	DESCRIPTION	QTY.
1	P138325116-853	MOWER DECKS, RIDER 43"	1
2	P138326480-853	TOE GUARD	1
3	P138180075	SCREW, 5/16-18X .63 HHC	1
4	P1381498	NUT, 5/16-18 REGHEXCTRLK	1
5	P138122007	SCREW, 5/16-18X .75 HHC	2
6	P1381498	NUT, 5/16-18 REGHEXCTRLK	2
7	P138317017	BRACKET CHUTE MOUNT	1
8	P138180075	SCREW, 5/16-18X .63 HHC	2
9	P138120393	WASHER, FLAT .344X .69X .065	2
10	P1381498	NUT, 5/16-18 REGHEXCTRLK	2
11	P138313929	LIFT BRACKET, REAR, RH	1
12	P138180077	SCREW, 5/16-18X .75 HHC	2
13	P138120393	WASHER, FLAT .344X .69X .065	2
14	P1381498	NUT, 5/16-18 REGHEXCTRLK	2
15	P138310667	BRACKET, DECK LIFTREAR LH	1
16	P138180077	SCREW, 5/16-18X .75 HHC GR5	2
17	P138120393	WASHER, FLAT .344X .69X .065	2
18	P1381498	NUT, 5/16-18 REGHEXCTRLK	2
19	P138326893-853	BRACE IDLER	1
19A	P138308231	SCREW, 1/4-20X1.25 HHWATAP	1
20	P138180077	SCREW, 5/16-18X .75 HHC	2
22	P13844108	NUT, 5/16-18 HWDFLCTRLK	2
23	P13856424-853	QUILL ASSY, 36/39.40.43	2
24	P13856425	SHAFT SADDLE 36"	1
25	P13849562	BRNG. BALL	1
26	P13850616	DUST SHIELD	1
27	P13855547	QUILL CASTING (1046)	1
28	P13849562	BRNG. BALL	1
29	P13850818	SPACER, 3.797LGX.669IDx.88OD	1
30	P13851449	SPACER, .438LGX.932ODx.672ID	1
31	P138313898	PULLEY, 26 36" QUILL V5L	1
32	P13856365	SPECIAL WASHER	1
33	P1381282	NUT, 7/16-20 WDFLLK	1
34	P13850634	SCREW, 5/16-18X .88 WAHHTAP	7
35	P138300345	SCREW, 5/16-18X1.38 WATAP	1
36	P1381498	NUT, 5/16-18 REGHEXCTRLK	1
37	P138317040	BRACKET FRNT.	1
38	P138180075	SCREW, 5/16-18X .63 HHC	4
39	P1381498	NUT, 5/16-18 REGHEXCTRLK	4
40	P13858305-853	LINK BRACKET, DECK FR	1
41	P13858247	ADJUSTING NUT	2
42	P138122017	SCREW, 5/16-18X1.00 HHC	2
43	P1381498	NUT, 5/16-18 REGHEXCTRLK	2
44	P138317041	BRACKET, GAGE WHEEL L.H.	1
45	P138180075	SCREW, 5/16-18X .63 HHC	3
46	P1381498	NUT, 5/16-18 REGHEXCTRLK	3
47	P138322464-853	BRACKET, GAGE WHEEL R.H. FRNT	1
48	P138314282-853	BRACKET, STABILIZER	1
48A	P138311104	SCREW, 5/16-18X5.00 HHC GR.5	1
48B	P138271184	NUT, 5/16 HEX KEPS	1
49	P138180075	SCREW, 5/16-18X .63 HHC	2
50	P1381498	NUT, 5/16-18 REGHEXCTRLK	3
51	P138314369	BLADE, LOW-LIFT 21.70	2
52	P1382483	WASHER, .39IDx1.25DX.07 BELLVIL	6
53	P13839573	SCREW, 3/8-24X1.00 NYLHHC	2
54	P138320576	IDLER ARM ASSY	1
55	P138322116	IDLER ARM	1
56	P13841601	RIVET	2
57	P138306973	BRAKE PAD	1
58	P138304420	SHOULDER BOLT	1
59	P138996416	WASHER, FLAT 391X1.00X.125	1
60	P138996307	WASHER, FLAT .391X1.00X.209	1
61	P13845171	NUT, 3/8-16 HWDFL WHIZ-LOCK	1
62	P138300700-853	BRACKET, EXTENSION IDLER	1
63	P138180075	SCREW, 5/16-18X .63 HHC GR.5	1
64	P138180083	SCREW, 5/16-18X1.50 HHC GR.5	1
65	P138446363	WASHER, FLAT	1
66	P138271184	NUT 5/16-18 HEX KEPS	1
67	P1381498	NUT	2
68	P138321828-853	BLADE BRAKE ASSY	1
69	P138304119-853	BRAKE ARM	1
70	P138306973	BRAKE PAD	1
71	P138135624	RIVET	2
72	P138180075	SCREW, 5/16-18X.63	1
73	P138120393	WASHER, FLAT .344X.69X.065	1
74	P1381498	NUT, 5/16-18 REGHEXCTRLK	1
75	P138314079	ROD, BRAKE	1
76	P1381502	NUT, 1/4-20 REGHEXCTRLK	1
77	P138180079	SCREW, 5/16-18X1.00 HHC GR5	1
78	P138120393	WASHER, FLAT .344X.69X.065	1
79	P1381498	NUT, 5/16-18 REGHEXCTRLK	1
80	P138325965-853	BELT GUIDE 43" DECK UPSTOP	1

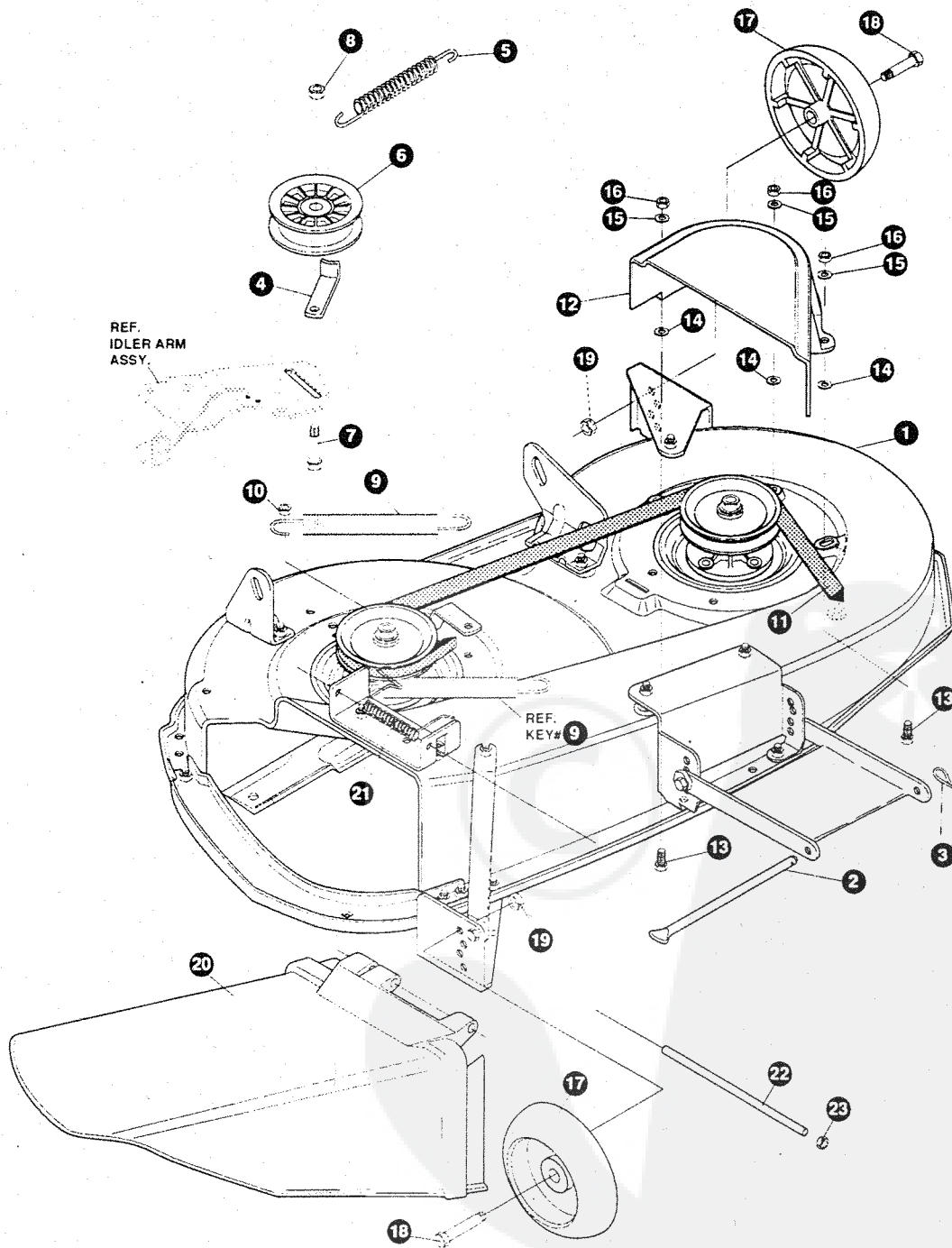
511 648-9 (12)

a	b	c	d	e	f
1/93					

D6

Rasentraktor T14/110SD 4-WS  
 T16/110SD 4-WS  
 Mähwerksantrieb

106.731



511 648-10 (12)

a	b	c	d	e	f
1/93					

326401A

**D7**

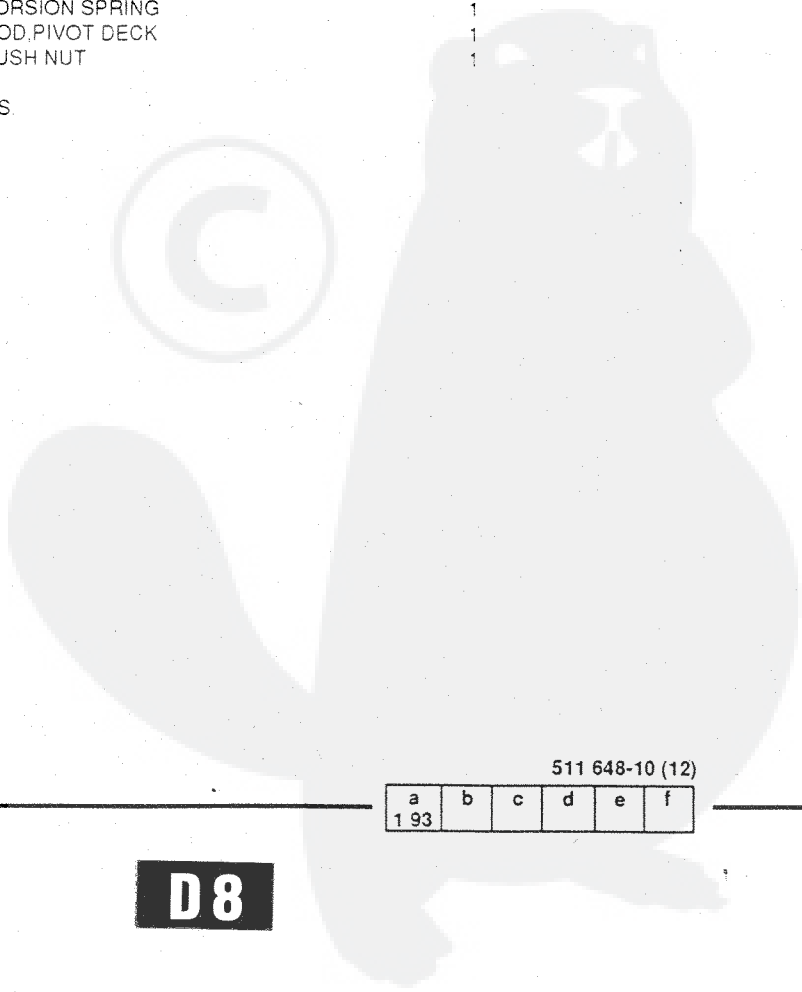
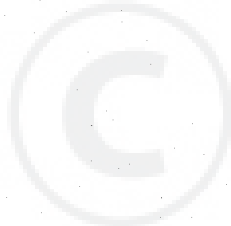
Rasentraktor T14/110SD 4-WS  
 T16/110SD 4-WS  
 Mähwerksantrieb

106.731



KEY#	PART#	DESCRIPTION	QTY.
1	^	DECK,43" MOWER 2-WH BLACK 853 EXPORT	1
2	P13858306	ROD, DECK HITCH	1
3	P1388260	PIN, HAIR .091 DIA X 1.66 LG	1
4	P1381346	GUIDE, BELT, IDLER	1
5	P138314107	SPRING, TENSION 5.00 LG - 17 LB IN	1
6	P138310326	PULLEY, IDLER BFF 4.00 WIDE FL	1
7	P138126416	BOLT, 3/8-16 X 1.75 CARR	1
8	P13844374	NUT, 3/8-16 HXWDFLLK	1
9	P13835410	SPRING .071 X .62 X 4.37	1
10	P1381498	NUT, 5/16-18 REGHEXCTRLK	1
11	P138314108	BELT, V 5L 86.00 KEVLAR	1
12	P138324814	GUARD, BELT LH PLASTIC	1
13	P13857101	CARRIAGE BOLT	3
14	P138309436	PUSHNUT 5/16 NON-SERVICEABLE	3
15	P138120393	WASHER, FLAT .344 X .69 X .065	3
16	P1381498	NUT, 5/16-18 REGHEXCTRLK	3
17	P138302611	GUAGE WHEEL EURO	2
18	P13823763	BOLT, 5.00 X 1.39 HHSH	2
19	P1381499	NUT, 3/8-16 REGHEXCTRLK	2
20	P138304422	CHUTE DEFLECTOR 40", 42", 43"	1
21	P138314975	TORSION SPRING	1
22	P138304424	ROD, PIVOT DECK	1
23	P1383535	PUSH NUT	1

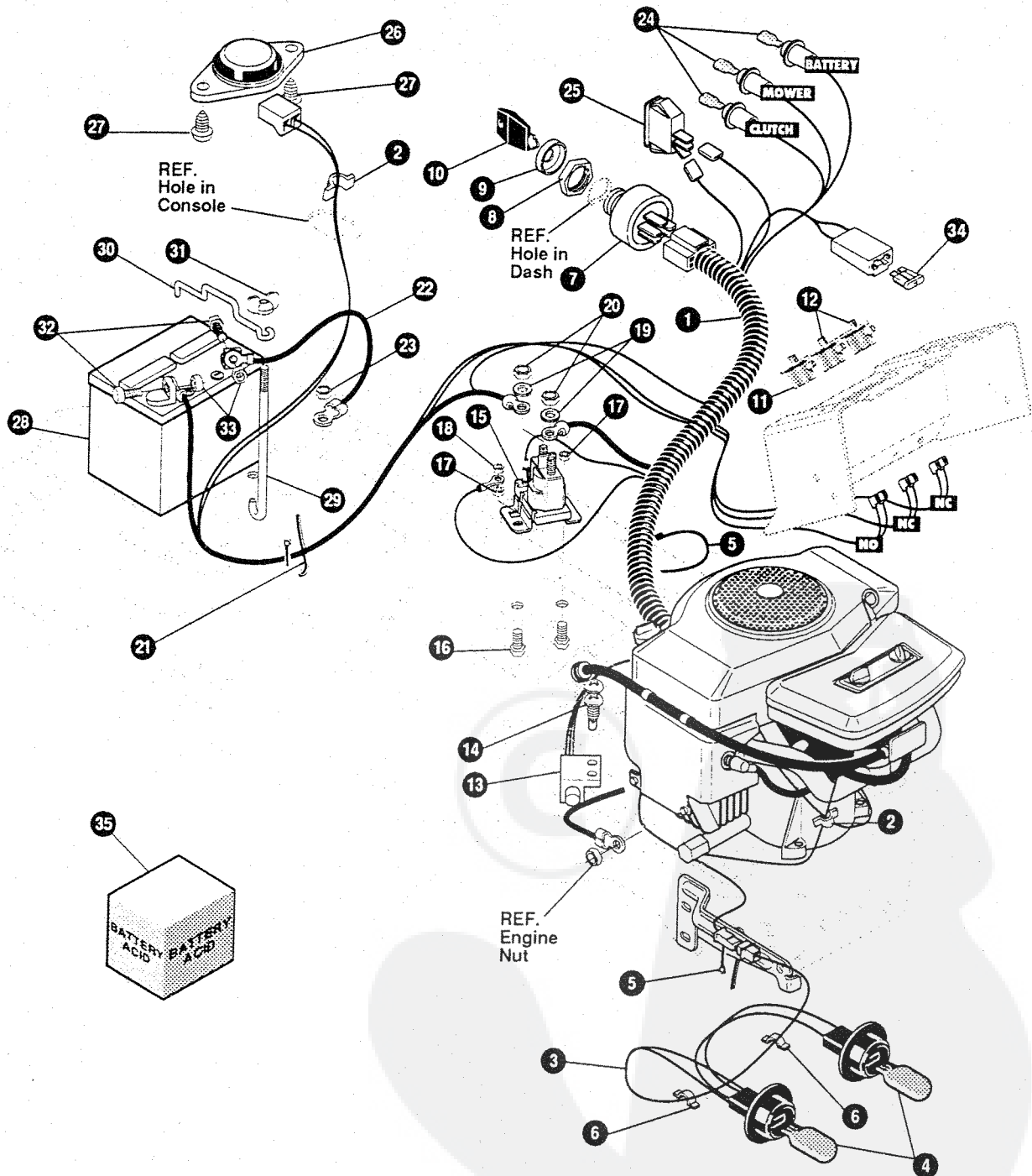
^ ORDER INDIVIDUAL PARTS



511 648-10 (12)

a	b	c	d	e	f
1	9	3			

**D8**



511 648-11 (12)

a	b	c	d	e	f
1/93					

325532C

Rasentraktor T14/110SD 4-WS  
T16/110SD 4-WS

106.731

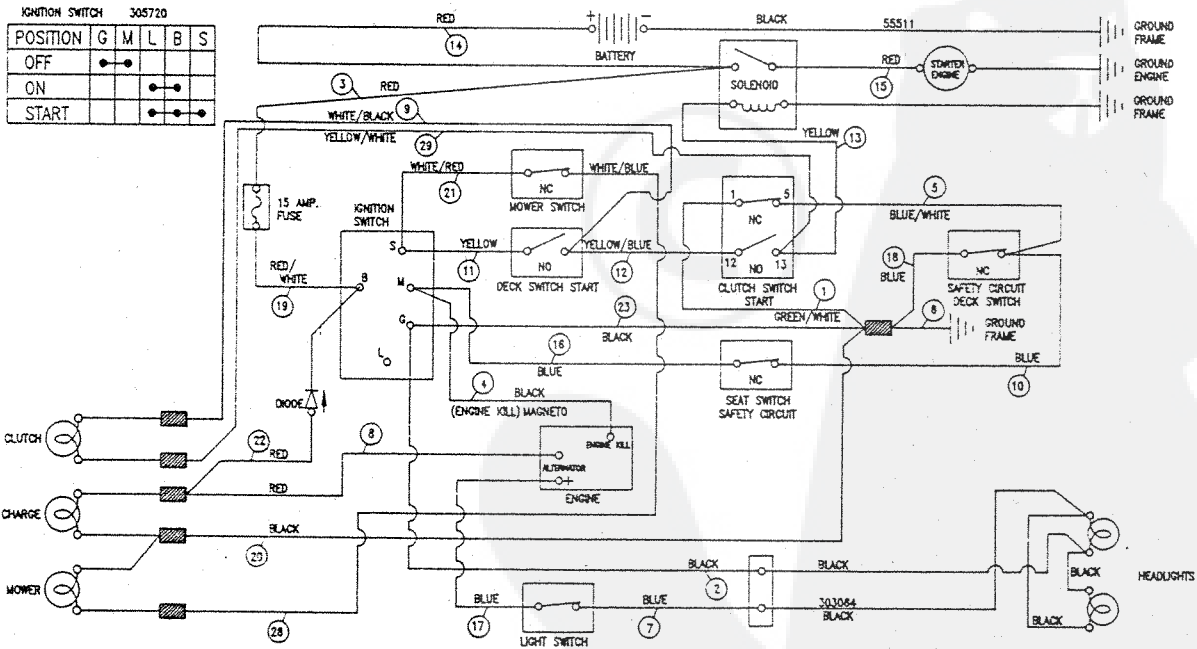
Elektrik



KEY#	PART#	DESCRIPTION	QTY.
1.	P138324521	HARNESH, 14-18HP TWIN OPP. DUAL CIRCUIT	1
2.	P13841482	PRESS CLIP, 1.380LG, 255ID	2
3.	P138303064	ASSY. LIGHT WIRE-1/4 TURN	1
4.	P13852572	BULB, HEADLAMP	2
5.	P13857444	TIE, CABLE BLACK NYLON 5.62L	2
6.	P13841482	PRESS CLIP, 1.380LG, 255ID	2
7.	P138327355	SWITCH-IGN.(AFTER FIRE) 3 POSN	1
8.	P138327352	NUT, 5/8-32 ACC #125 PLAST BLK	1
9.	P138300194	BOOT, IGN SWITCH	1
10.	P138327349	KEY, IGNITION SWITCH	1
11.	P138326653	SWITCH.SNAPMNT NO.055, 116BLK	1
12.	P138326654	SWITCH.SNAPMNT NO.140 BLUE	2
13.	P13857476	SWITCH.SCR MNT DP NC NO BLK	1
14.	P13857220	SCREW, #12 X .50 PHPNHTAP BLK	2
15.	P13853716	SOLENOID	1
16.	P138187745	SCREW, 1/4-20X .75 HXSEMMA	2
17.	P1381502	NUT, 1/4-20 REGHEXCTRLK	2
18.	P138271172	NUT, 1/4-20 REGHEXKEPS	1
19.	P138138485	WASHER, EXLK .320X.61X.03	2
20.	P138120368	NUT, 5/16-24 REGHEX	2
21.	P13857444	TIE, CABLE BLACK NYLON 5.62L	1
22.	P13855511	WIRE, GROUND, 12.5"	1
23.	P138271184	NUT, 5/16-18 HEXKEPS	1
24.	P13857769	BULB, INDICATOR	3
25.	P138300334	LIGHT SWITCH ON/OFF PANEL MNT	1
26.	P13857547	SWITCH, SEAT	1
27.	P138160505	SCREW, 1/4-20X .38PHPNHMAGR2	2
28.	P138302257	GENERIC BATTERY 12V	1
29.	P13857551	ROD, BATTERY	1
30.	P13857552	ROD, BATTERY, TOP	1
31.	P138325232	NUT, WING 1/4-20 NYLON	1
32.	P138120854	SCREW, 1/4-20X .63 HHC GR2	2
33.	P138271172	NUT, 1/4-20 REGHEXKEPS	2
34.	P138302031	FUSE, 15 AMP SPADE TYPE	1
35.	A	BATTERY ACID, 80 OZ	1

.. SPADE TYPE FUSES ARE INCLUDED WITH THE WIRE HARNESH.  
CAN BE PURCHASED LOCALLY.

**SCHEMATIC DRAWING**



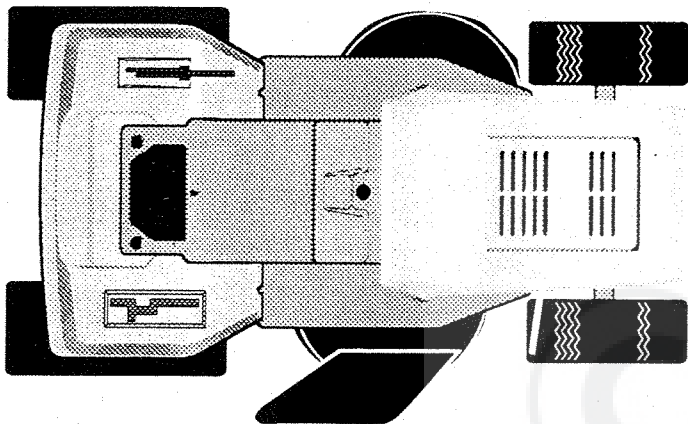
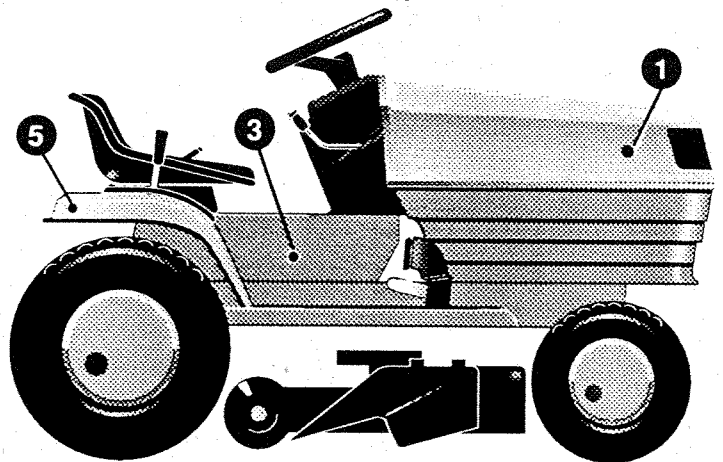
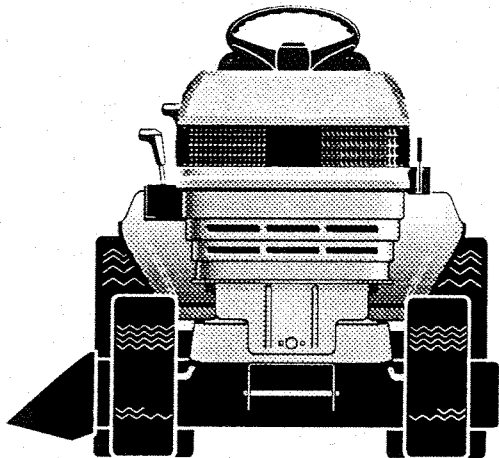
511 648-11 (12)

a	b	c	d	e	f
1/93					

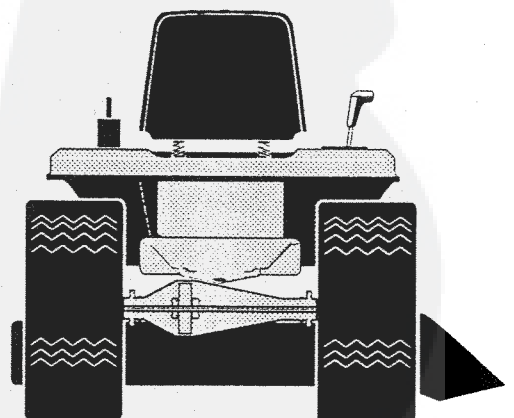
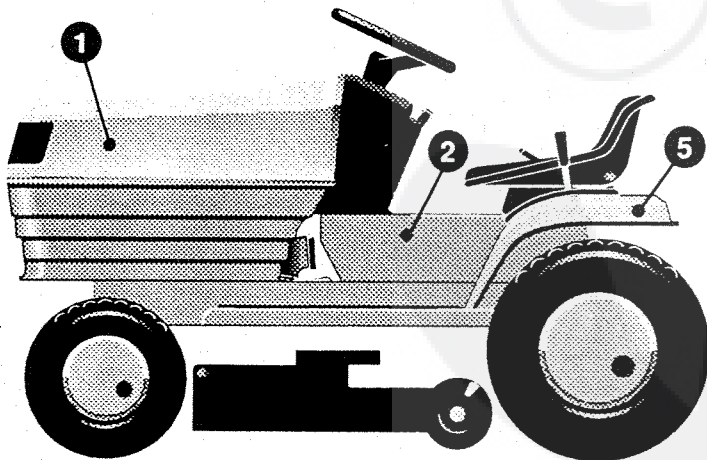
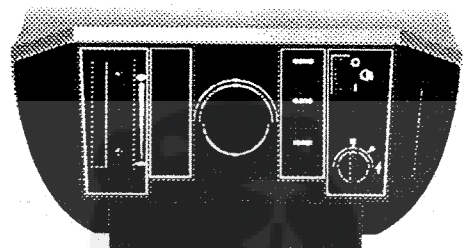
Rasentraktor T14/110SD 4-WS  
 T16/110SD 4-WS

Aufkleber

106.731



DASH OVERVIEW



511 648-12 (12)

a	b	c	d	e	f
1/93					

328702A

**D11**

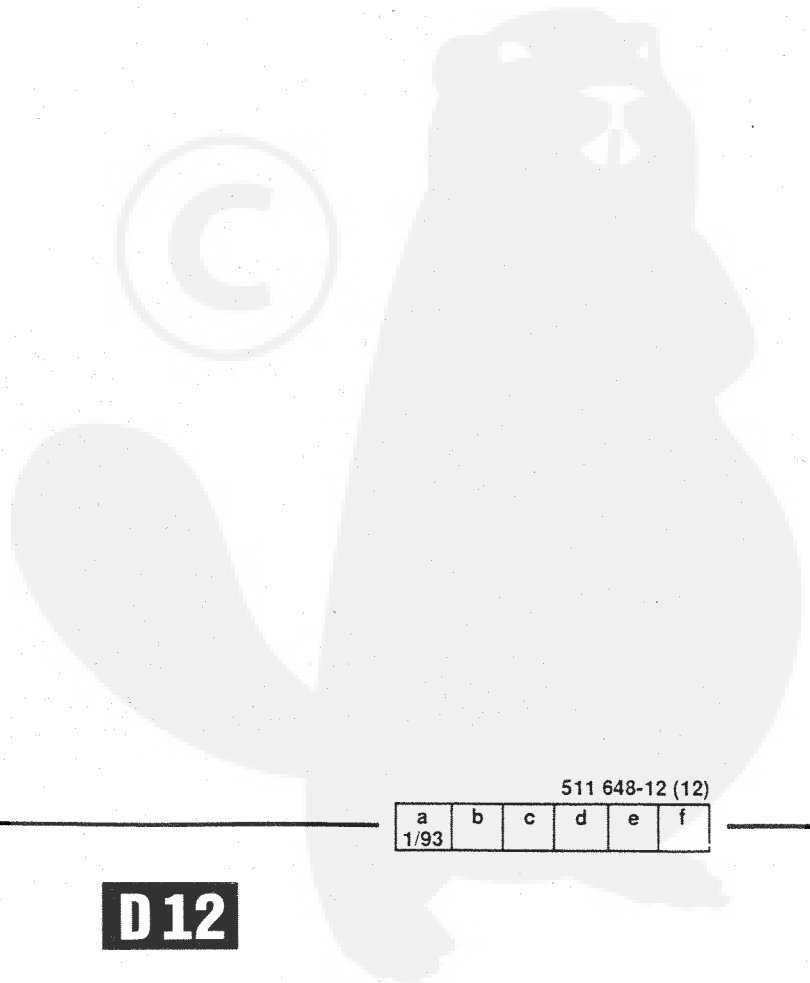
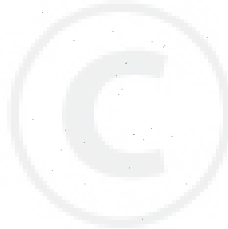


Rasentraktor T14/110SD 4-WS  
T16/110SD 4-WS  
Aufkleber

106.731



KEY#	PART#	DESCRIPTION	QTY.
1.	311198	NAMEPLATE AL-KO SATIN SILVER	2
2.	324706	DECAL. CONSOLE T16/110SD-4WS LH	1
3.	324707	DECAL. CONSOLE T16/110SD-4WS RH	1
4.		REFERENCE ONLY	1
5.	322313	DECAL. 4WS M/F BLACK ON SILVER	2



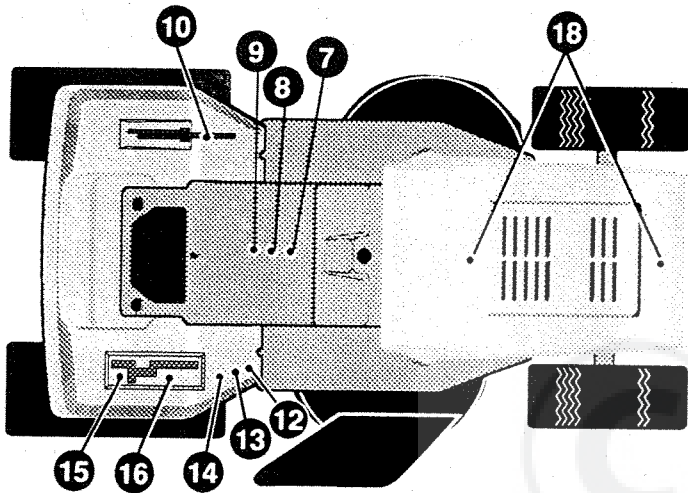
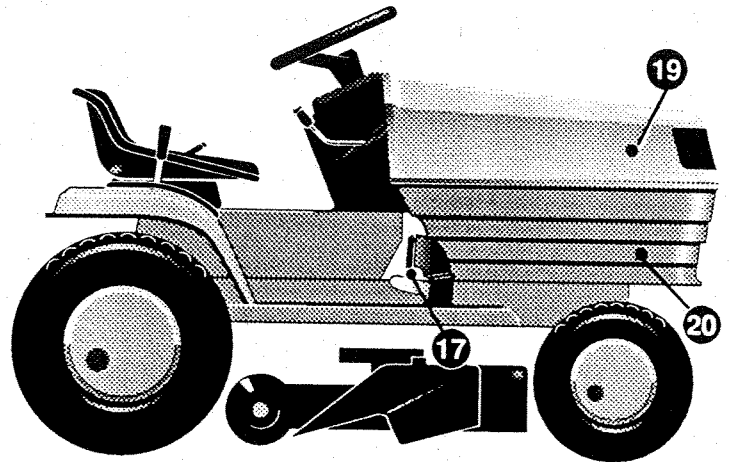
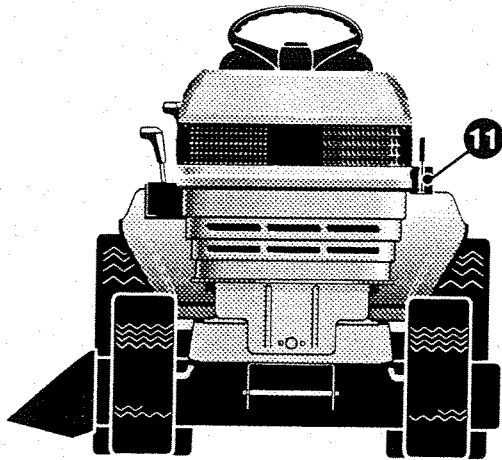
511 648-12 (12)

a	b	c	d	e	f
1/93					

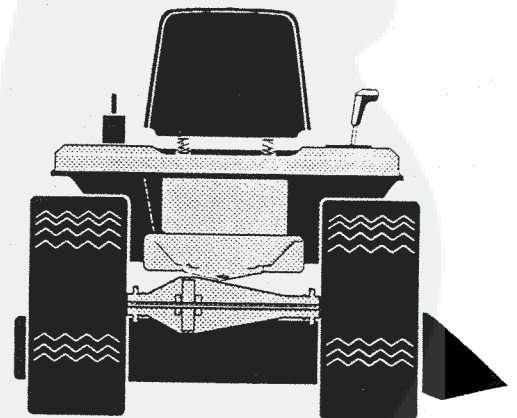
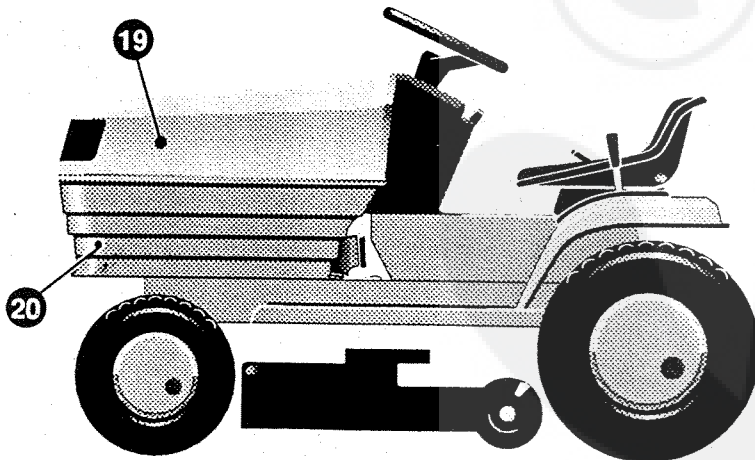
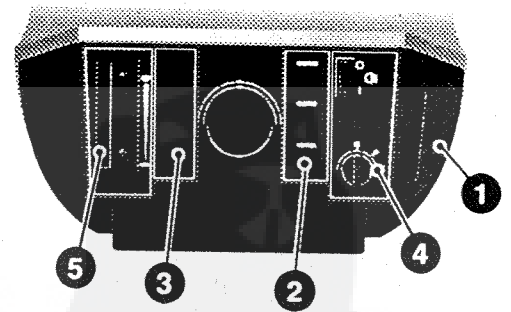
**D12**

Rasentraktor T14/110SD 4-WS  
 T16/110SD 4-WS  
 Aufkleber

106.731



DASH OVERVIEW



511 648-13 (12)

a	b	c	d	e	f
1/93					

328699A

**D13**

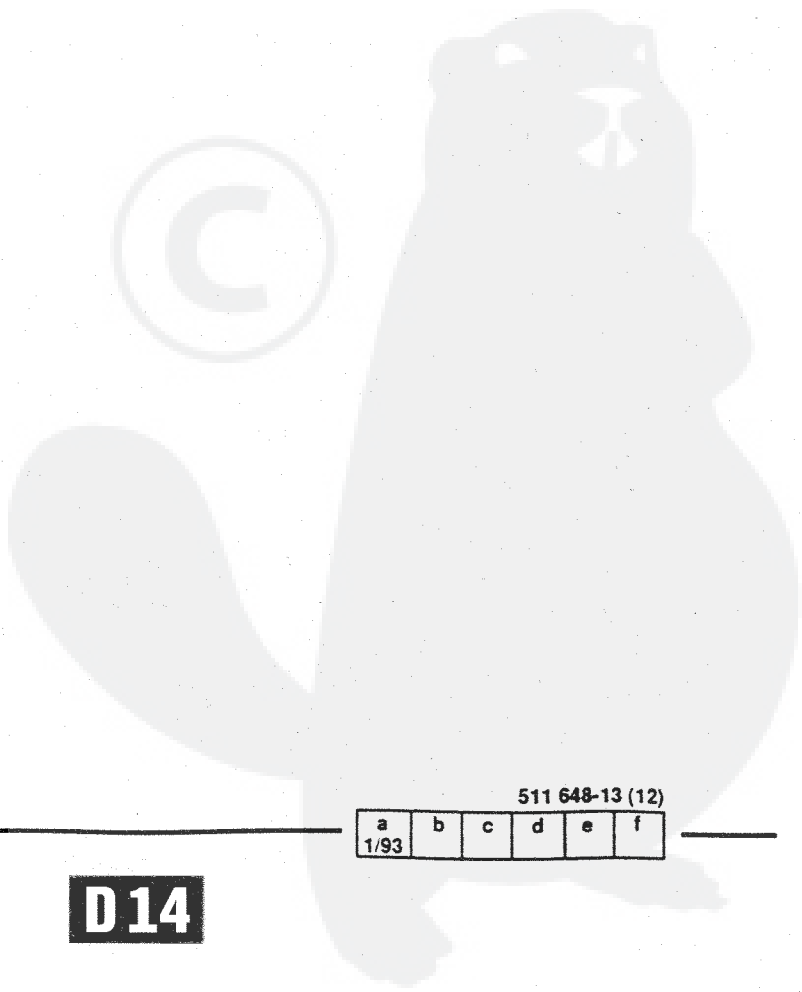
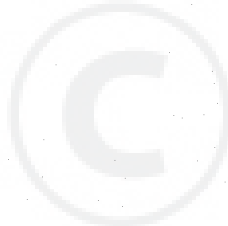
Rasentraktor T14/110SD 4-WS  
T16/110SD 4-WS

106.731

Aufkleber



KEY#	PART#	DESCRIPTION	QTY.
1.	P13868900	DECAL, BLADE ENGAGE EUROPE	1
2.	P138300445	DECAL, DASH RH TRANSLUCENT	1
3.	P138302049	DECAL, DASH LH PLAIN	1
4.	P13830576	DECAL, DASH RH IGN	1
5.	P13830576	DECAL, DASH LH	1
6.		REFERENCE ONLY	1
7.	P13830738	DECAL, INSTR. CONSOLE TOP ENGL	1
8.	P13869525	DECAL, INSTRUCT CONSOLE TOP FR	1
9.	P13869524	DECAL, INSTRUCT CONSOLE TOP GER	1
10.	P13868901	DECAL, BLADE HEIGHT ADJ. EUROPE	1
11.	P13830189	DECAL, LIFT DECK BLADE HEIGHT	1
12.	P13830577	DECAL, CAUTION TRIANGLE EUROPE	1
13.	P13831055	DECAL, DANGER ENGLISH	1
14.	P13868902	DECAL, WARNING FRENCH/GERMAN	1
15.	P13831139	DECAL, SHIFT REV/NEUTRAL	1
16.	P13831139	DECAL, SHIFTER POSITION	1
17.	P13868903	DECAL, BRAKE/CLUTCH ISO	1
18.	P13830560	FOAM, HOOD 4X15	2
19.	P13830560	PAD, 18 X 6 FOAM HOOD	2
20.	P13830560	FOAM, HOOD 7X12	2



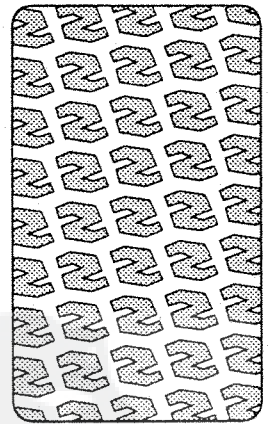
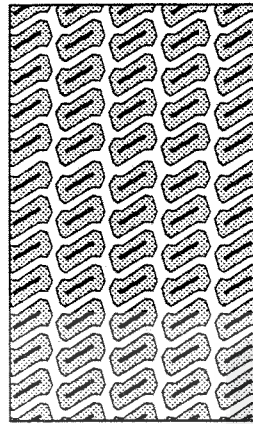
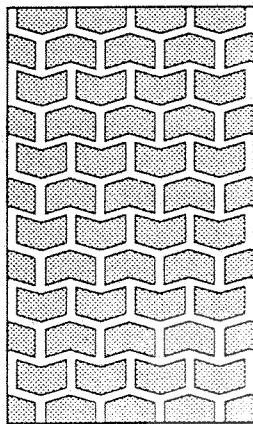
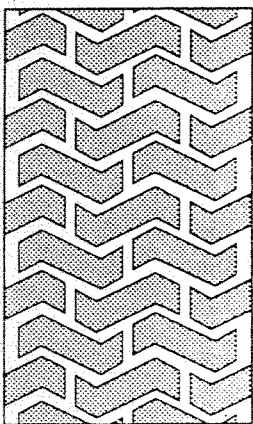
511 648-13 (12)

a	b	c	d	e	f
1/93					

**D14**



# TREAD PATTERNS



"A"

"B"

"C"

"D"

**TIRE SIZE**

13 X 5.00 - 6  
15 X 6.00 - 6

"A"

P13841060 P138319680  
P138316702

"B"

P138319686

"C"

P138313654

"D"

20 X 10.00 - 8

511 648-14 (12)

a	b	c	d	e	f
1/93					

316711 B