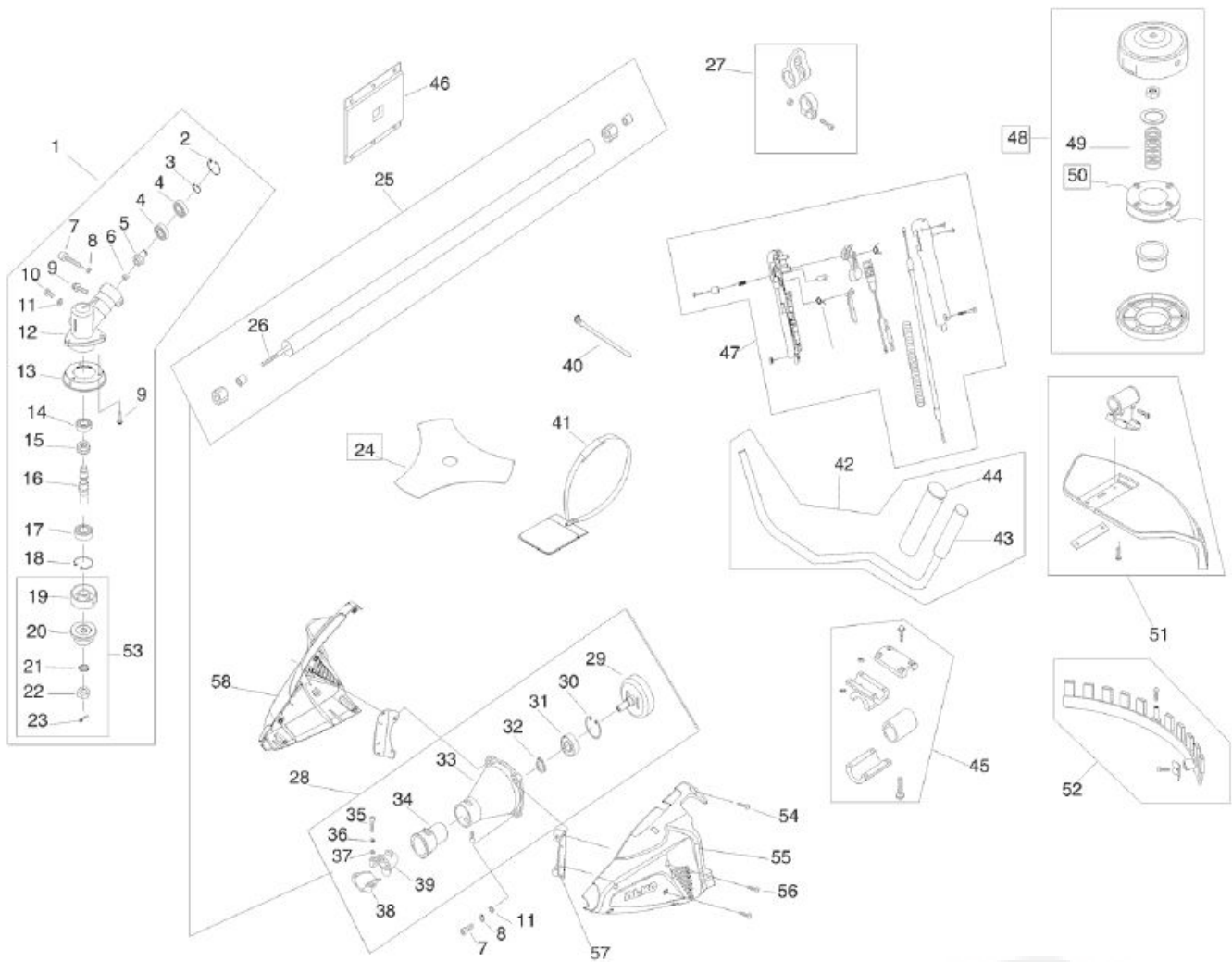


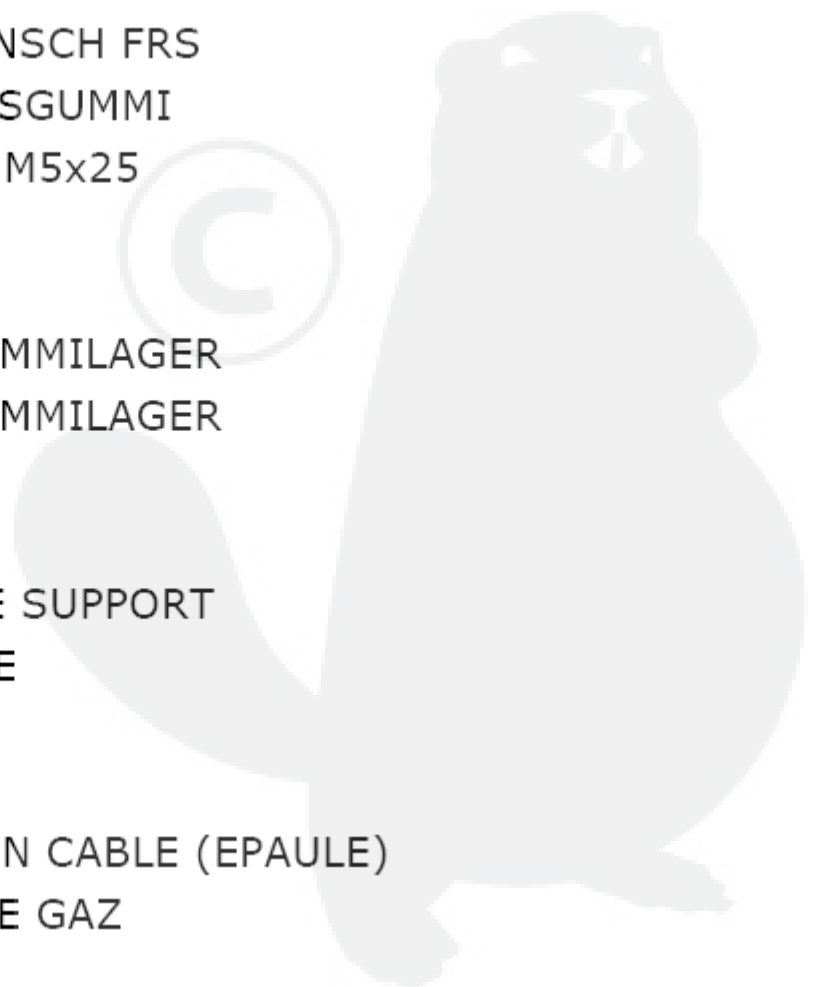
112528 – FRS4125



| | | |
|-----------|--------|--------------------------------|
| 1 | 462503 | RENOI D'ANGLE |
| 2 | 700730 | CIRCLIPS 26X1,2 472 |
| 3 | 402310 | ANNEAU D'ETANCHEITE |
| 4 | 700385 | RLT BILLES 6000 2RSC3 625 |
| 5 | 462510 | KEGELRAD |
| 6 | 462511 | STAHLKUGEL |
| 7 | 700496 | VIS CHC M6X20 912- 8.8 |
| 8 | 462546 | SCHEIBE 6 137 |
| 9 | 462547 | VIS |
| 10 | 700483 | VIS H M6X12 933- 8.8 VZ |
| 11 | 700137 | RONDELLE A 6,4 125-ST VZ |
| 12 | 462512 | CARTER DE RENVOI |
| 13 | 462513 | TOLE PROTECTION -CARTER RENVOI |
| 14 | 701308 | RLT BILLES 6000 2 Z 625 |
| 15 | 462514 | PIGNON |

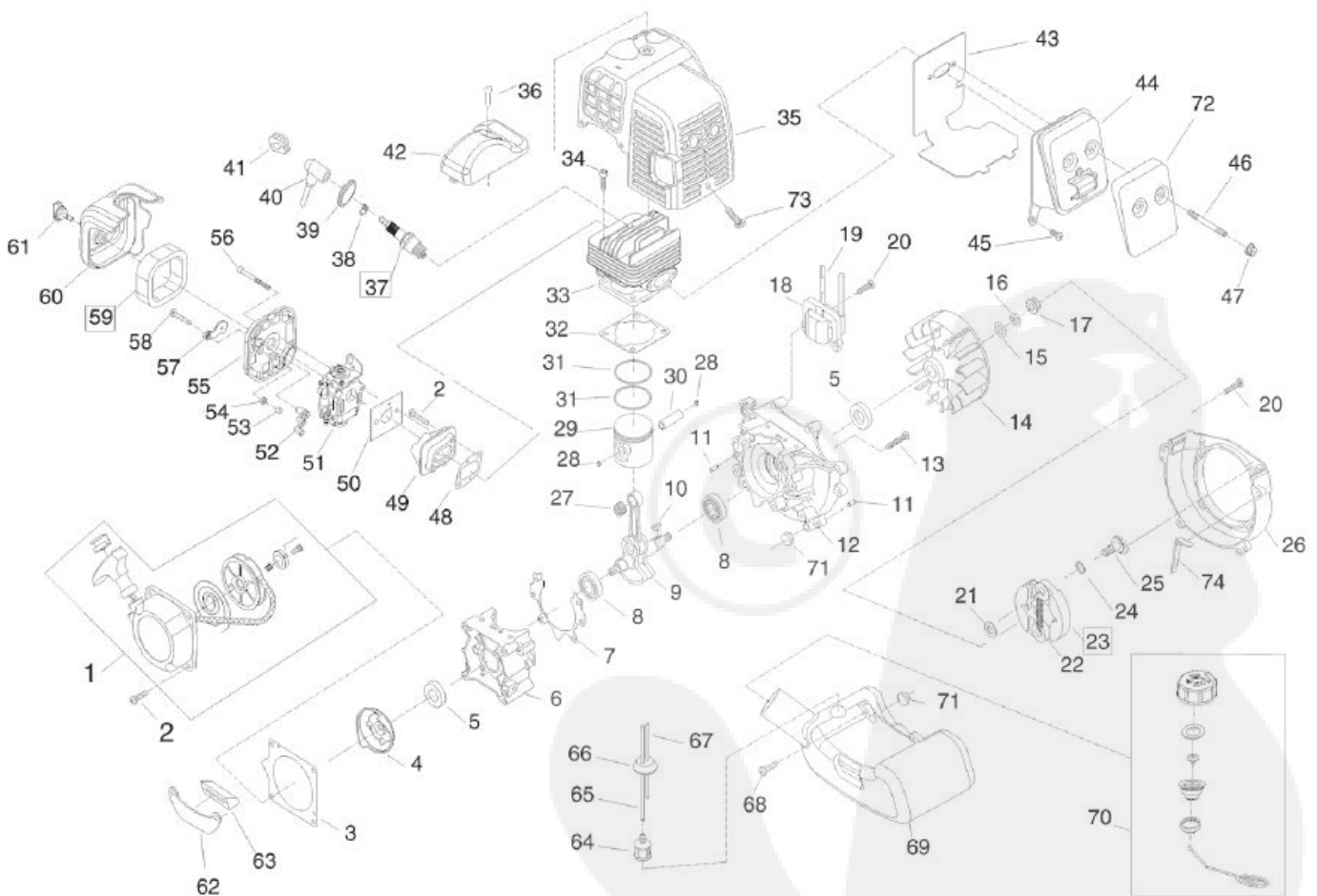
112528 – FRS4125

| | | |
|-----------|--------|---------------------------|
| 16 | 462515 | ARBRE DE COMMANDE |
| 17 | 700574 | RLT BILLES 6002 2RS 625 |
| 18 | 700346 | CIRCLIPS 32X1,2 472 |
| 19 | 462516 | SUPPORT DE LAME INF. |
| 20 | 462517 | SUPPORT DE LAME SUP. |
| 21 | 462548 | RONDELLE |
| 22 | 462549 | ECROU |
| 23 | 462550 | GOUPILLE |
| 24 | 112405 | 112405 |
| 25 | 463249 | HAUPTROHR |
| 26 | 462519 | ANTRIEBSWELLE |
| 27 | 462520 | GURTHALTER |
| 28 | 463248 | KUPPLUNG KOMPLETT |
| 29 | 462522 | GLOCKE FLIEHKRAFTKUPPLUNG |
| 30 | 700840 | CIRCLIPS 35X1,5 472 |
| 31 | 700252 | ROULEMENT 6202 2RS 625 |
| 32 | 700841 | CIRCLIPS 15X1 471 |
| 33 | 463250 | MOTORFLANSCH FRS |
| 34 | 463251 | VIBRATIONSGUMMI |
| 35 | 462551 | SCHRAUBE M5x25 |
| 36 | 462552 | SCHEIBE 5 |
| 37 | 462553 | SCHEIBE 5 |
| 38 | 463252 | HALTER GUMMILAGER |
| 39 | 463253 | HALTER GUMMILAGER |
| 40 | 462527 | 462527 |
| 41 | 462528 | SANGLE |
| 42 | 462529 | GUIDON DE SUPPORT |
| 43 | 462530 | GRIFFKAPPE |
| 44 | 462531 | KAPPE |
| 45 | 462544 | SUPPORT |
| 46 | 462542 | PROTECTION CABLE (EPAULE) |
| 47 | 462533 | POIGNEE DE GAZ |



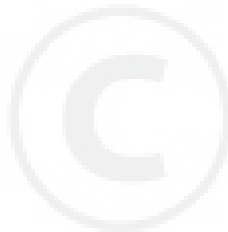
112528 – FRS4125

| | | |
|-----------|--------|----------------------------|
| 48 | 112406 | 112406 |
| 49 | 462535 | RESSORT |
| 50 | 462536 | FIL |
| 51 | 462537 | PROTECTION LAME |
| 52 | 462538 | PROTECTION FIL |
| 53 | 462532 | KIT FIXATION LAME |
| 54 | 463649 | SCHRAUBE 3,5 X 16 |
| 55 | 463966 | GEHÄUSE LINKS BC410/4125 |
| 56 | 463650 | SCHRAUBE 3,5 X 13 |
| 57 | 463482 | 463482 |
| 58 | 463965 | GEHÄUSE RECHTS BC 410/4125 |



112528 – FRS4125

| | | |
|-----------|--------|-----------------------|
| 1 | 462554 | LANCEUR COMPLET |
| 2 | 462555 | SCHRAUBE M5X20 |
| 3 | 462556 | DICHTUNG |
| 4 | 462557 | POULIE D'ENTRAINEMENT |
| 5 | 462558 | JOINTS |
| 6 | 411266 | 411266 |
| 7 | 462560 | JOINT |
| 8 | 462561 | ROULEMENTS A BILLES |
| 9 | 411267 | 411267 |
| 10 | 462563 | KEIL |
| 11 | 462564 | ZENTRIERSTIFT |
| 12 | 411268 | 411268 |
| 13 | 462566 | SCHRAUBE M5X30 |
| 14 | 411269 | 411269 |
| 15 | 462568 | SCHEIBE |
| 16 | 462569 | SCHEIBE |
| 17 | 462570 | MUTTER M8 |
| 18 | 411270 | 411270 |
| 19 | 462572 | ZÜNDKABEL |
| 20 | 462573 | GEWINDEBOLZEN |
| 21 | 462574 | VIS |
| 22 | 411271 | 411271 |
| 23 | 411272 | 411272 |
| 24 | 462577 | SCHEIBE |
| 25 | 462578 | GEWINDEBOLZEN |
| 26 | 411273 | 411273 |
| 27 | 411274 | 411274 |
| 28 | 462583 | AXE |
| 29 | 411275 | 411275 |
| 30 | 411276 | 411276 |
| 31 | 462586 | SEGMENT |
| 32 | 411277 | 411277 |
| 33 | 411278 | 411278 |
| 34 | 462589 | SCHRAUBE |
| 35 | 411279 | 411279 |
| 36 | 411280 | 411280 |



112528 – FRS4125

| | | |
|-----------|--------|-------------------------|
| 38 | 462592 | KONTAKTFEDER |
| 39 | 462593 | ISOLIERKAPPE |
| 40 | 462594 | ZÜNDKERZENSTECKER |
| 41 | 462595 | GUMMITÜLLE |
| 42 | 411282 | 411282 |
| 43 | 411283 | 411283 |
| 44 | 411284 | 411284 |
| 45 | 462599 | SCHRAUBE M5X12 |
| 46 | 462600 | GEWINDEBOLZEN |
| 47 | 462601 | MUTTER M5 |
| 48 | 411285 | 411285 |
| 49 | 462604 | ISOLATEUR |
| 50 | 462605 | JOINT |
| 51 | 411286 | 411286 |
| 52 | 462607 | CHOKEHEBEL |
| 53 | 462608 | SICHERUNGSRING |
| 54 | 462609 | MUTTER M4 |
| 55 | 462610 | LUFTFILTERGEHÄUSE INNEN |
| 56 | 411287 | 411287 |
| 57 | 462612 | CHOKERKLAPPE |
| 58 | 411288 | 411288 |
| 59 | 462614 | FILTRE A AIR |
| 60 | 411289 | 411289 |
| 61 | 462616 | VIS |
| 62 | 411290 | 411290 |
| 63 | 411291 | 411291 |
| 64 | 462619 | FILTRE D'ESSENCE |
| 65 | 462620 | TUYAU D'ESSENCE |
| 66 | 462621 | DOUILLE EN CAOUTCHOUC |
| 67 | 462622 | TUYAU DE REFOULEMENT |
| 68 | 462623 | SCHRAUBE 5X16 |
| 69 | 411292 | 411292 |
| 70 | 462631 | BOUCHON ESSENCE |
| 71 | 462632 | GUMMISCHEIBE |
| 72 | 411293 | 411293 |
| 73 | 411294 | 411294 |
| 74 | 411425 | 411425 |

