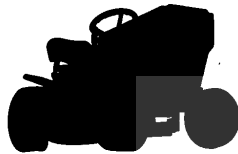
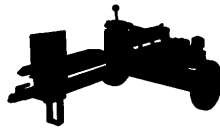
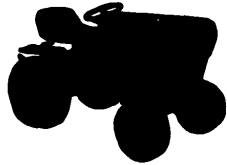


OWNER'S MANUAL

5 H.P. FRONT TINE TILLER
WITH REVERSE

MODEL NUMBERS

RF550DR AND RF550CT



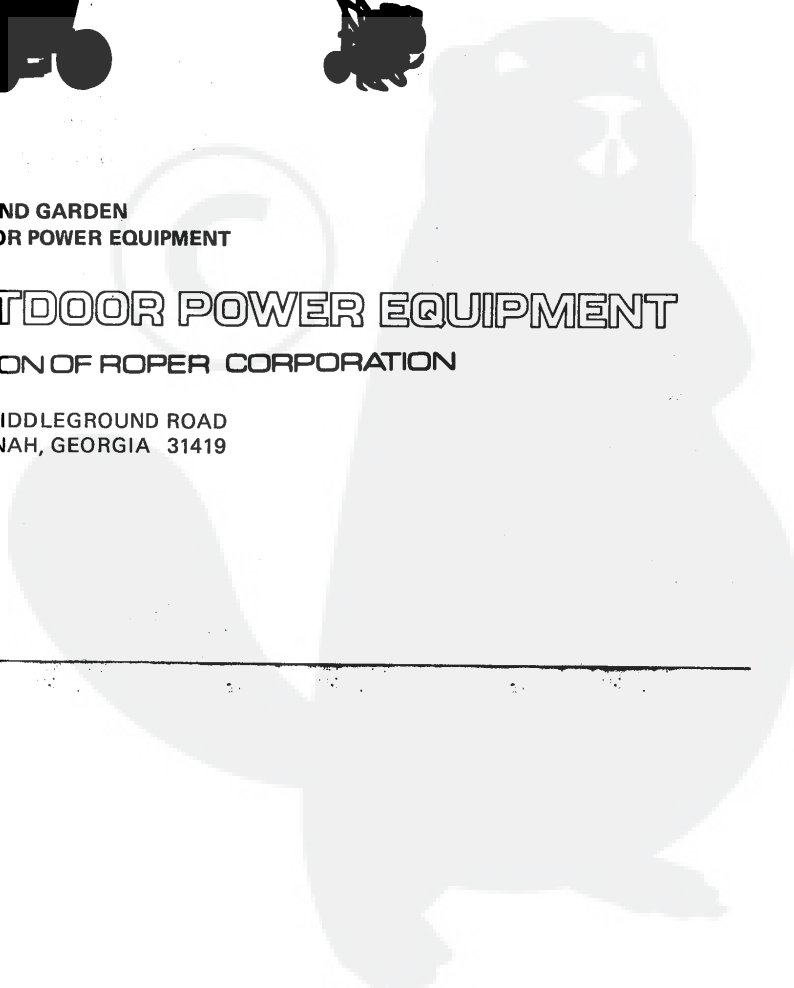
LAWN AND GARDEN
OUTDOOR POWER EQUIPMENT

ROPER

OUTDOOR POWER EQUIPMENT

DIVISION OF ROPER CORPORATION

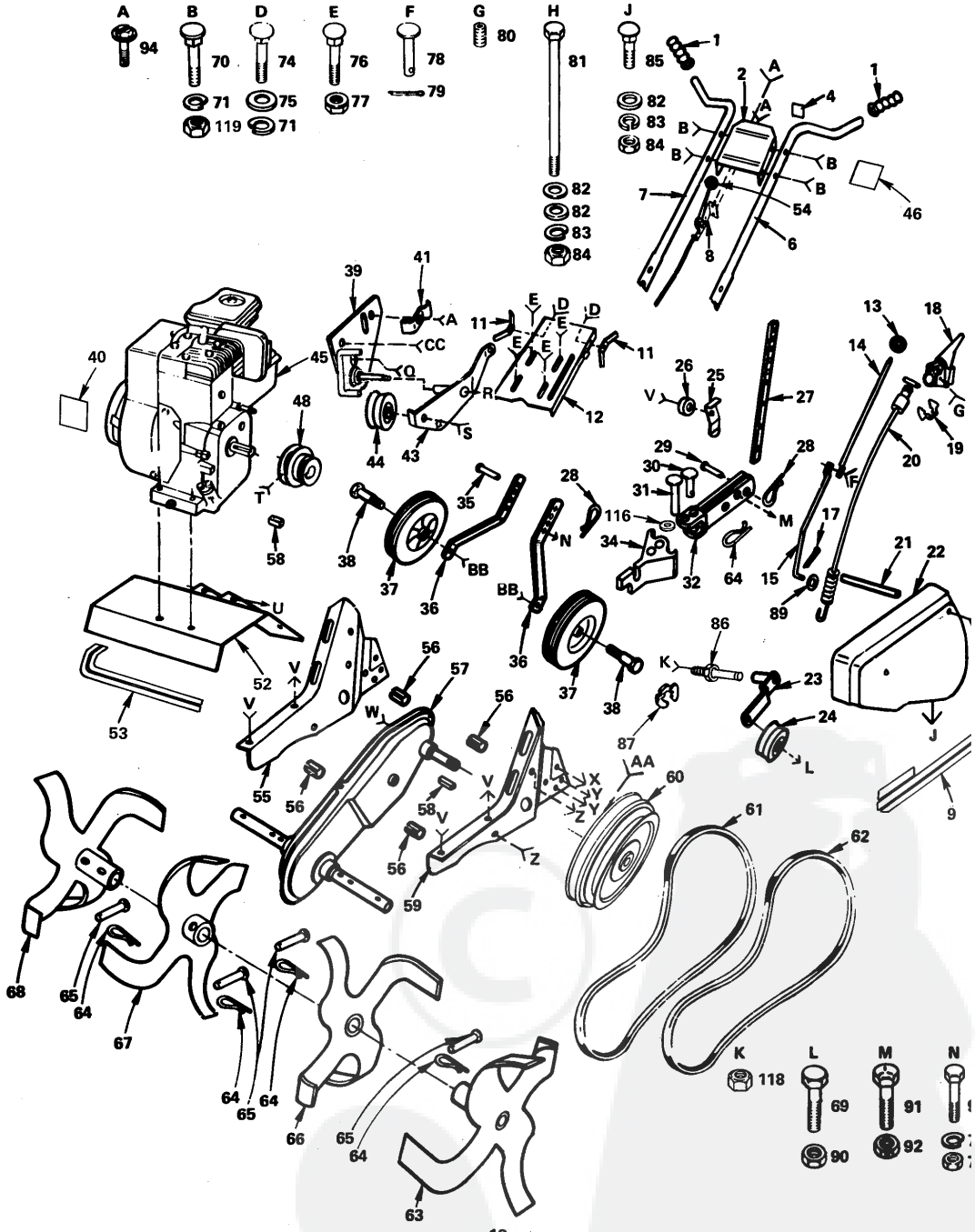
12052 MIDDLEGROUND ROAD
SAVANNAH, GEORGIA 31419



REPAIR PARTS

5 H.P. TILLER WITH REVERSE--MODEL NUMBERS RF550DR & RF550CT

MAIN FRAME



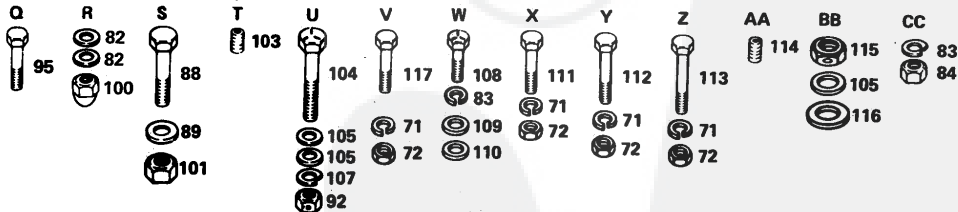
REPAIR PARTS

5 H.P. TILLER WITH REVERSE--MODEL NUMBERS RF550DR & RF550CT

MAIN FRAME

KEY NO.	PART NO.	DESCRIPTION	KEY NO.	PART NO.	DESCRIPTION
1	9266R	Handle Grip	65	4929H	Retaining Pin With Hole
2	101229D358	Handle Bracket	66	674A42	Tine Weldment Inner - L.H.
4	104223X	Decal - Throttle (For Model No. RF550DR ONLY)	67	674A43	Tine Weldment Inner - R.H.
4	104315X	Decal - Throttle (For Model No. RF550CT ONLY)	68	100746M	Tine Weldment Outer - R.H.
6	2623J	Handle - L.H.	69	74760620	*Bolt - Hex 3/8 - 16 x 1 - 1/4
7	2624J	Handle - R.H.	70	72240512	*Sq. Neck Carriage Bolt 5/16 - 18 x 1 - 1/2
8	2630J	Throttle Control	71	10040500	*Lockwasher 5/16
9	104220X	Decal - Belt Guard	72	73220500	*Hex Nut 5/16 - 18
11	67504	Wing Nut	74	72110510	Sq. Nk. Carriage Bolt Sht. Shoulder 5/16 - 18 x 1 - 1/4 Gr. 5
12	101962X358	Handle Panel Assembly	75	19121414	Washer 3/8 x 7/8 x 14 Ga.
13	100196K	Control Knob	76	72240506	*Sq. Nk. Carriage Bolt 5/16 - 18 x 3/4
14	101248K	Rod - Reverse, Upper	77	98000129	Nut, Flanged 5/16 - 18
15	2613J	Rod - Reverse, Lower	78	1778E	Retaining Pin
17	76020412	Cotter Pin 1/8 x 3/4	79	76020308	Cotter Pin 3/32 x 1/2
18	2635J	Tine Control Lever	80	23200405	Hex Forged Socket Headless Set Screw C.P. 1/4 - 20 x 5/16
19	12000027	Klip Ring	81	74760488	Hex Bolt 1/4 - 20 x 5 - 1/2
20	3066J	Tine Control Cable	82	19091016	*Washer 9/32 x 5/8 x 16 Ga.
21	316J	Split Spacer	83	10040400	*Lockwasher 1/4
22	106970X358	Belt Guard	84	73220400	*Hex Nut 1/4 - 20
23	674A30	Idler Arm Weldment	85	72240405	Sq. Nk. Carriage Bolt 1/4 - 20 x 5/8
24	9178R	Idler Pulley	86	106968X	Shaft - Idler Arm
25	5388J	Stake Spring	87	12000036	Klip Ring
26	635J	Washer	88	74760624	*Hex Bolt 3/8 - 16 x 1 - 1/2
27	9554R	Depth Stake	89	19131316	*Washer 13/32 x 13/16 x 16 Ga.
28	4921H	Hairpin Clip	90	73350600	*Hex Jam Nut 3/8 - 16
29	326J	Retaining Pin With Hole	91	74610620	Hex Bolt 3/8 - 24 x 1 - 1/4 Gr. 5
30	2010J	Retaining Pin	92	7810H	Gripco Nut 3/8 - 24
31	75091240	Retaining Pin	93	74760516	*Hex Bolt 5/16 - 18 x 1
32	674A111	Depth Stake Holder Ass'y.	94	17561008	Screw, Hex Washer Hd. Slotted Thd. Cutting No. 10 - 24 x 1/2 Type D
34	1953J	Depth Stake Pivot	95	74770812	Hex Bolt 1/2 - 20 x 3/4
35	9194R	Retaining Pin With Hole	100	104213X	Nut - Cap 1/4 - 20
36	9190R	Wheel Bracket	101	73220600	*Hex Nut 3/8 - 16
37	2727J	Wheel	103	23200404	*Hex Forged Socket Headless Set Screw C.P. 1/4 - 20 x 1/4
38	4898H	Shoulder Bolt	104	74610652	*Hex Bolt 3/8 - 24 x 3 - 1/4 Gr. 5
39	106956X	Bracket Assembly - Guard, Belt	105	19131311	Washer 13/32 x 13/16 x 11 Ga.
40	102697X	Decal - Engine "5"	107	10040600	*Lockwasher 3/8
41	9484R	Clip	108	74610412	*Hex Bolt 1/4 - 28 x 3/4 Gr. 5
43	106953X	Reverse Idler Arm Assy.	109	19092016	Washer 9/32 x 1 - 1/4 x 16 Ga.
44	2009J	Reverse Idler Pulley	110	19091412	Washer 9/32 x 7/8 x 12 Ga.
45	130202	Engine, 5 H.P. Type No. 1905-01	111	74760512	*Hex Bolt 5/16 - 18 x 3/4
46	104221X	Decal - Handle Bracket	112	74760520	*Hex Bolt 5/16 - 18 x 1 - 1/4
48	101189L	Engine Sheave	113	74760544	*Hex Bolt 5/16 - 18 x 2 - 3/4
52	9057R358	Tine Shield	114	23230506	*Hex Forged Socket Headless Set Screw C.P. 5/16 - 18 x 3/8
53	104219X	Decal - Tine Shield	115	73560600	Nut, Nylock 3/8 - 16 UNC
54	2878J	Knob - Control, Throttle	116	19171616	Washer 17/32 x 1 x 16 Ga.
55	1949J	Engine Bracket - R.H.	117	74760524	*Hex Bolt 5/16 - 18 x 1 - 1/2
56	9173R	Split Spacer	118	73350500	*Nut - Hex Jam 5/16 - 18
57	105397X	Transmission	119	1685H	Nut - Lock 5/16 - 18
58	2649M	Square Key	---	108042X	Owners Manual
59	1948J	Engine Bracket - L.H.			
60	2607J	Transmission Sheave			
61	4833H	V-Belt (Forward Motion)			
62	2614J	V-Belt (For Reverse)			
63	100744M	Tine Weldment Outer - L.H.			
64	3146R	Hairpin Clip			

*STANDARD HARDWARE--PURCHASE LOCALLY

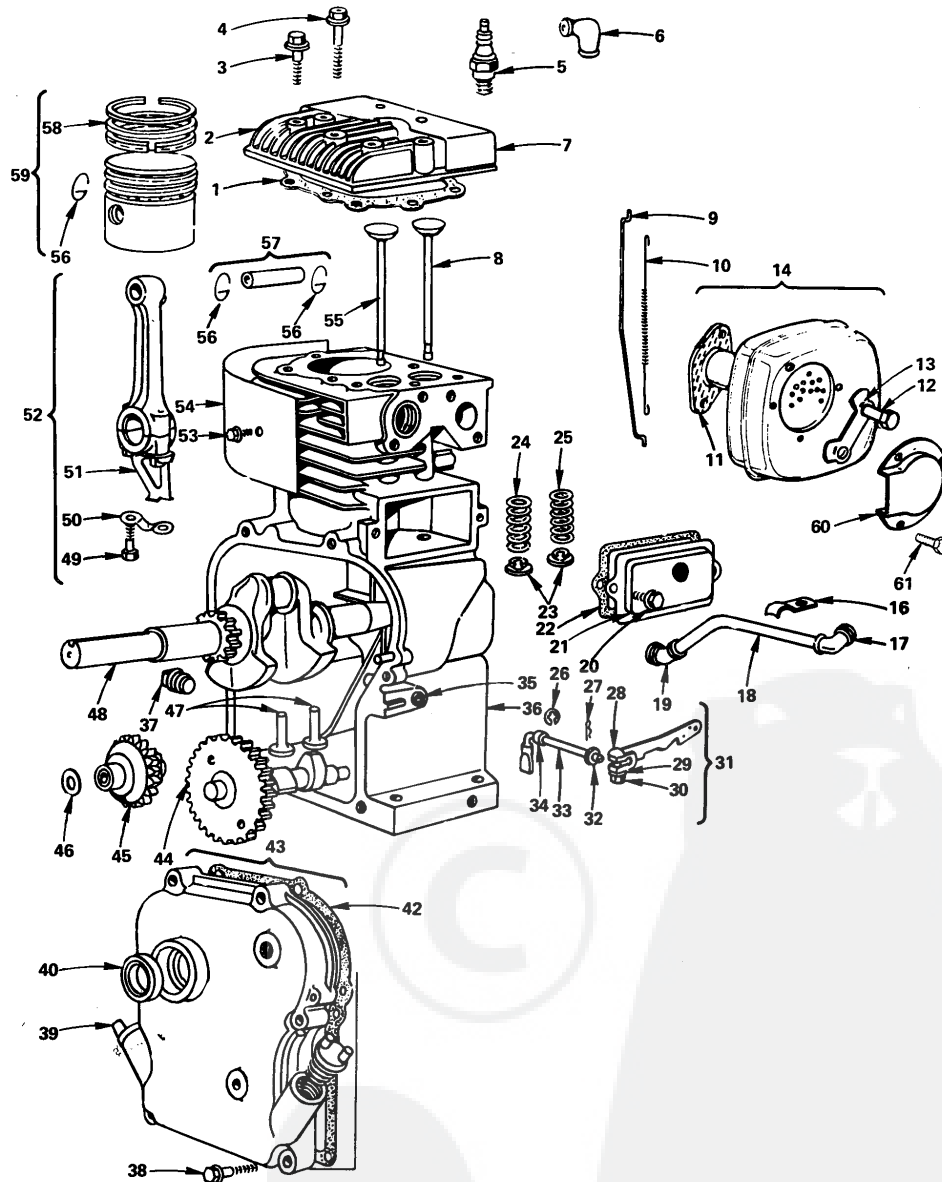


REPAIR PARTS

5 H.P. TILLER WITH REVERSE--MODEL NUMBERS RF550DR & RF550CT
ENGINE--MODEL NUMBER 130202, TYPE NUMBER 1905-01

CYLINDER & CRANKCASE

ALL ENGINE PARTS MUST BE PURCHASED THROUGH AND SERVICE PERFORMED BY YOUR LOCAL BRIGGS AND STRATTON DEALER.



REPAIR PARTS

5 H.P. TILLER WITH REVERSE--MODEL NUMBERS RF550DR & RF550CT
ENGINE--MODEL NUMBER 130202, TYPE NUMBER 1905-01

CYLINDER & CRANKCASE

KEY NO.	PART NO.	DESCRIPTION	KEY NO.	PART NO.	DESCRIPTION
1	270383	**Gasket, Cylinder Head	32	222450	Washer, Governor
2	211542	Head, Cylinder	33	231077	Crank, Governor
3	93368	Screw, Cylinder Head - 2 - 3/32 I.	34	230749	Spacer, Governor Crank
4	93369	Screw, Cylinder Head - 2 - 15/32 I.	35	231079	Bushing, Governor Crank
5	293918	+Plug, Spark-Resistor	36	391977	Cylinder Assembly (Inc. Key No. 35)
6	66538	Eibow, Spark Plug	37	93448	Plug, Pipe
7	221512	Cover, Cylinder Head	38	93032	Screw, Crankcase Cover Mounting
8	261044	Valve, Intake			93656 Stud, End Screw, Cover Mounting
9	260661	Link, Governor			Plug, Oil Filler
10	260478	Spring, Governor Link	39	66768	Seal, Oil
11	270918	Gasket - Muffler	40	294606	**Gasket, Crankcase
12	93935	Screw, Hex Hd. Shoulder	42	270080	Cover Assembly, Crankcase (Inc. Key No's. 39, 40 & 42)
13	222263	Lock - Screw	43	297602	Gear, Cam
14	393615	Muffler - Exhaust	44	211117	Gear, Governor
16	221514	Clamp, Breather Tube	45	391737	Washer, Thrust
17	67838	Grommet, Breather Tube	46	221551	Tappet, Valve
18	231328	Tube, Breather	47	260642	Crankshaft
19	66578	Grommet, Breather Tube	48	261299	Screw, Connecting Rod
20	93394	Screw, Breather Mounting	49	92296	Lock, Connecting Rod Screw
21	294178	Breather, Valve Chamber	50	221876	Dipper, Connecting Rod
22	27549	**Gasket, Valve Cover	51	221890	Rod Assembly, Connecting (Inc. Key No's. 49, 50, 51)
23	93312	Retainer, Valve Spring	52	299430	Screw, Cylinder Shield Mounting
24	26478	Spring, Exhaust Valve	53	93042	Shield, Cylinder
25	260552	Spring, Intake Valve	54	221511	Valve, Exhaust
26	93307	Retainer, E-Ring	55	211119	Lock, Piston Pin
27	93306	Cotter, Hair Pin	56	26026	Pin Assembly, Piston (Inc. Key No. 56)
28	92613	Bolt, Governor Lever	57	298909	Ring Set, Piston
29	220680	Washer, Governor Lever	58	298982	Piston Assembly (Inc. Key No's. 56 & 58)
30	231082	Nut, Hex No. 10 - 24	59	298904	Deflector
31	391966	Lever Assembly, Governor (Inc. Key No's. 28, 29 & 30)	60	223074	Screw
			61	93705	

**INCLUDED IN GASKET SET
NO. 297615

+CANADIAN CUSTOMERS IN COMPLIANCE
WITH RADIO INTERFERENCE REGULATIONS
CERTIFIED MUST REPLACE SPARK PLUG
WITH RESISTOR SPARK PLUG ONLY

**SPARK ARRESTING MUFFLER ASSEMBLY
(OPTIONAL EQUIPMENT) 392193**

CONSISTS OF THE FOLLOWING:

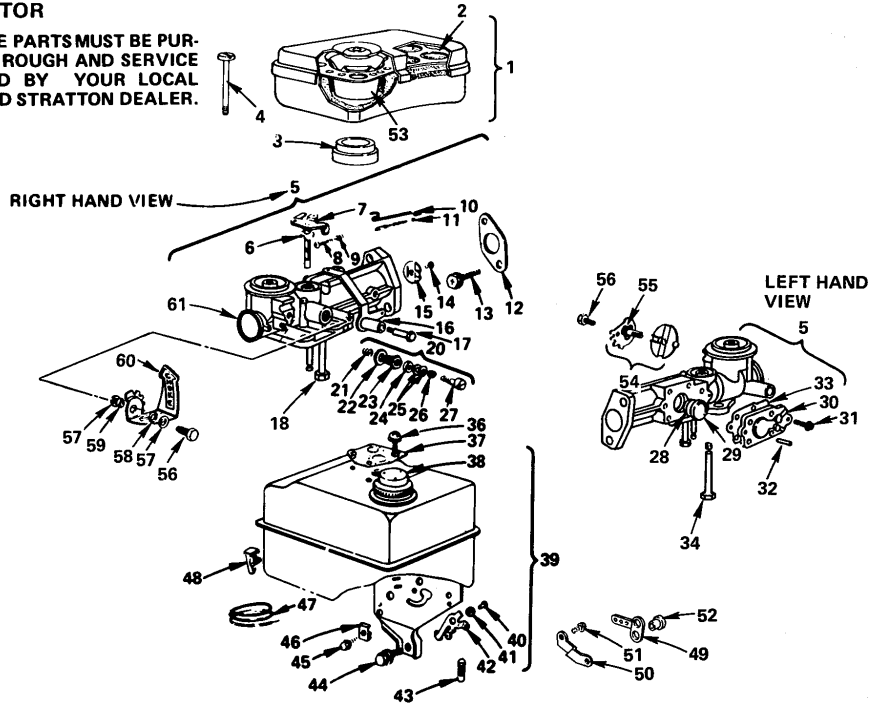
391913 Screen (1 required)
222535 Deflector (1 required)
93705 Screw (4 required)

REPAIR PARTS

5 H.P. TILLER WITH REVERSE--MODEL NUMBERS RF550DR & RF550CT
ENGINE--MODEL NUMBER 130202, TYPE NUMBER 1905-01

CARBURETOR

ALL ENGINE PARTS MUST BE PURCHASED THROUGH AND SERVICE PERFORMED BY YOUR LOCAL BRIGGS AND STRATTON DEALER.



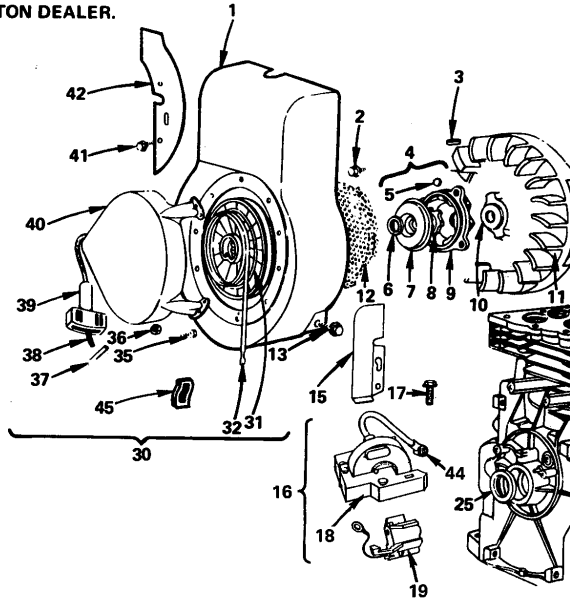
KEY NO.	PART NO.	DESCRIPTION	KEY NO.	PART NO.	DESCRIPTION
1	397703	Cleaner Assembly, Air (Inc. Key No. 2)	31	93141	Screw, Diaphragm Cover
2	27987	Element, Air Cleaner	32	93265	Pin, Diaphragm Cover
3	271139	Gasket, Air Cleaner Mounting	33	270026	Diaphragm
4	94071	Screw, Air Cleaner	34	391813	Fuel Pipe & Clip Assembly
5	397135	Carburetor Assembly (Inc. Key No's. 6, 7, 8, 9, 10, 11, 14, 15, 16, 17, 18, 20, 28, 29, 30, 31, 32, 33 & 34)	36	93341	Screw, Fuel Tank Mounting
6	270167	Washer, Throttle Shaft	37	27911	*Gasket, Fuel Tank Mounting
7	299212	Shaft & Lever, Throttle	38	392304	Cap, Fuel Tank
8	92634	Screw, Rd. Hd. Machine	39	397649	Tank Assembly, Fuel (Inc. Key No's. 38, 40, 41 & 42)
9	260575	Spring, Throttle Adjustment	40	93491	Rivet, Governor Control
10	260678	Link, Throttle	41	230844	Bushing, Governor Lever
11	260694	Spring, Throttle Link	42	221517	Lever, Governor Control
12	27355	*Gasket, Carburetor Mounting	43	260695	Spring, Governor
13	93357	Screw, Hex Hd.	44	93343	Screw, Tank Bracket Mounting
14	93499	Screw, Throttle Valve to Shaft	45	93496	Screw
15	211203	Throttle, Carburetor	46	221535	Clamp, Casing
16	297718	Crank, Bell	47	295413	Wire Ground
17	93838	Screw, Shoulder	48	297472	Switch, Stop
18	296811	Pipe, Fuel	49	221321	Cup, Air Cleaner
19	93263	Screw, Fil. Hd.	50	222629	Bracket - Cable Clamp
20	299060	Needle Valve Kit (Inc. Key No's. 21, 22, 23, 24, 25, 26 & 27)	51	93543	Screw (Cable Clamp Bracket)
21	230591	Seat, Needle Valve	52	222597	Lever, Adapter (Governor Control)
22	66594	Gasket, Needle Valve Nut	53	230852	Bushing (Adapter Lever)
23	230590	Nut, Needle Valve	54	397134	Valve Group - Choke
24	65978	Packing, Needle Valve	55	270382	Washer - Choke Shaft
25	22235	Washer, Needle Valve	56	93686	Screw - Choke Lever
26	26336	Spring, Needle Valve	57	221226	Washer - Choke Lever
27	23433	Valve, Needle	58	94060	Washer - Wave
28	260455	Spring, Fuel Pump Diaphragm	59	231325	Spacer - Choke Lever
29	221377	Cap, Spring	60	223286	Lever - Choke
30	210959	Cover, Diaphragm	61	22831	Plug - Welch
					*INCLUDED IN GASKET SET NO. 297615

REPAIR PARTS

5 H.P. TILLER WITH REVERSE--MODEL NUMBERS RF550DR & RF550CT
ENGINE--MODEL NUMBER 130202, TYPE NUMBER 1905-01

STARTER

ALL ENGINE PARTS MUST BE PURCHASED THROUGH AND SERVICE PERFORMED BY YOUR LOCAL BRIGGS AND STRATTON DEALER.



KEY NO.	PART NO.	DESCRIPTION	KEY NO.	PART NO.	DESCRIPTION
1	299410	Housing, Blower	25	299819	Seal, Oil
2	93808	Screw, Sem	26	297565	*Bushing - Cylinder (Inc. Key No. 25)
3	222698	Key, Flywheel	27	395990	Cylinder Assembly (Inc. Key No. 25)
4	298310	Clutch Assembly (Inc. Key No's. 5, 6, 7, 8 & 9)	30	390463	Starter Assembly, Rewind (Inc. Key No's. 31, 32, 35, 36, 37, 38, 39 & 40)
5	63770	Ball, Clutch	31	295871	Pulley, Starter (Inc. Key No. 38)
6	68238	Washer, Ratchet Sealing	32	294303	Spring, Starter
7	221653	Washer, Clutch Retainer	35	93067	Screw, Starter Housing Mounting
8	298436	Ratchet	36	92987	Nut, Hex
9	212131	Housing, Starter Clutch	37	230228	Pin, Starter Grip
10	220865	Washer, Spring	38	66884	Rope, Starter
11	297229	Flywheel, Magneto	39	66728	Grip, Starter Rope
12	221923	Screen, Starter Pulley	40	299431	Housing, Starter
13	93158	Screw, Blower Housing Mounting	41	93705	Screw, Flywheel Guard
15	221480	Guide, Air	42	222443	Guard, Flywheel
16	395491	Armature, Magneto	44	221798	Cable - Terminal Ignition
17	93414	Screw, Armature Mounting	45	222598	Anchor - Spring
18	395490	Armature Assembly (Less Trigger Coil)			
19	394970	Trigger Coil			

*REQUIRES SPECIAL TOOLS TO INSTALL

CONGRATULATIONS on your purchase of a Roper® Tiller. It has been designed, engineered and manufactured to give you dependability and performance. Should you experience any problem you cannot easily remedy, please contact your nearest authorized Roper® dealer. He has well-trained technicians and the proper tools and parts to service or repair this unit.

Please read and retain this manual. Following the "Rules For Safe Operation", "Assembly", "Operation", and "Maintenance" instructions will help you achieve a long, safe, service life for your Tiller.

LIMITED WARRANTY

Roper Corporation warrants to the original consumer purchaser that this product as manufactured is free from defects in materials and workmanship. For a period of two (2) years from date of purchase by the original consumer purchaser, we will repair or replace, at our option, without charge for parts or labor incurred in replacing parts, any part which we find to be defective due to materials or workmanship. This warranty is subject to the following limitations and exclusions:

1. **Engine Warranty:** All engines on Roper® products have a separate Warranty extended by the individual Engine Manufacturer; said Warranty must be referred to in the event of a service requirement (see page 19 and 20).
2. **Transaxle/Transmission Warranty:** Some Roper® products have a Transaxle/Transmission supplied by other manufacturers. Such Transaxle/Transmissions are warranted by that manufacturer and said Warranty must be referred to in the event of a service requirement.
3. **Battery Warranty:** On products equipped with a battery, Roper® will replace, without charge to you, any battery which we find to be defective in manufacture during the first year of ownership. Battery must be maintained in accordance with instructions in the product literature.
4. The warranty period for any products used for rental or commercial purposes is limited to 90 days from the date of original purchase.
5. This warranty applies only to products which have been properly assembled, adjusted and operated in accordance with instructions found in product literature for your product. This warranty does not apply to any product which has been subject to alterations, misuse, abuse, improper assembly, installation, or delivery damages.
6. **Exclusions:** Excluded from this warranty are belts, blades, blade adapters, normal wear, normal adjustments, and normal maintenance.
7. In the event you have a claim under this warranty, you must return the product to an authorized Roper Outdoor Power Equipment service dealer.

Should you have any unanswered questions concerning this warranty, please contact:

In U.S.A. contact:

Roper Outdoor Power Equipment
Service Department
12052 Middleground Road
Savannah, Georgia 31419

In Canada contact:

Roper Canada Limited
1040 Jayson Court
Mississauga, Ontario L4W 2V5

giving the model number, serial number and date of purchase of your product and the name and address of the authorized Roper dealer from whom it was purchased.

THIS WARRANTY DOES NOT APPLY TO INCIDENTAL OR CONSEQUENTIAL DAMAGES AND IMPLIED WARRANTIES ARE LIMITED TO THE SAME TIME PERIODS STATED HEREIN FOR ROPER'S EXPRESSED WARRANTIES. Some states do not allow the limitation of consequential damages or limitation of how long an implied warranty may last, so the above limitations or exclusions may not apply to you. This warranty gives you specific legal rights and you may have other rights which vary from state to state.

This is a Limited Warranty within the meaning of that term as defined in the Magnuson-Moss Act of 1975.

840712

- NOTE -

A SPARK ARRESTER MUFFLER is available as an accessory part for your Tiller. (See Repair Parts Section, page 15 of this Manual). Check legal requirements in your area.