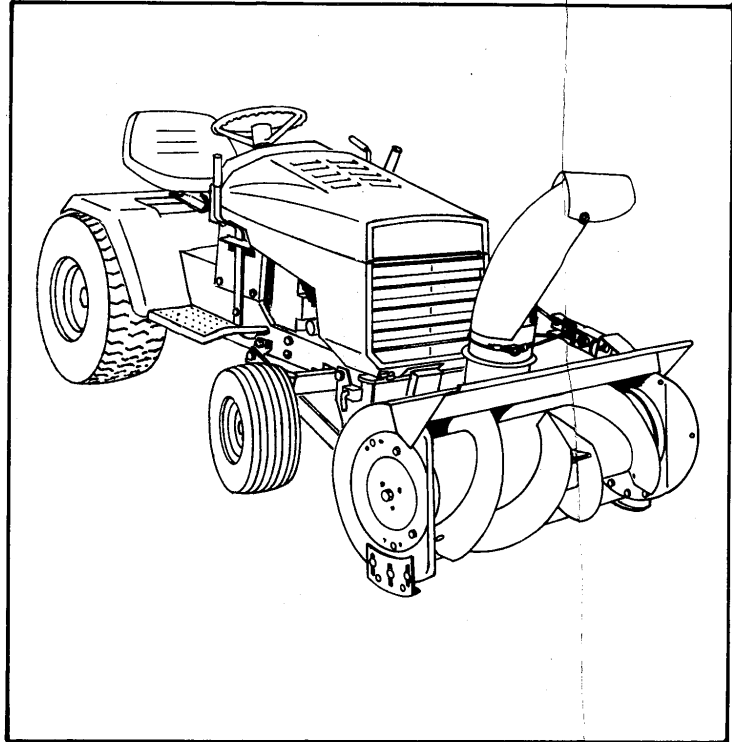


OWNERS MANUAL



40" SNOW THROWER ATTACHMENT

FOR GT TRACTOR

CAUTION:
Read Rules for
Safe Operation
and Instructions
Carefully

- **Assembly**
- **Operation**
- **Maintenance**
- **Repair Parts**

Proper

MODEL NO. TR 800 BR

*fears a charge
Snow free*

16795 (6.30.86)

2 x vendu Gergy

E-2207 (6.30.86)

TABLE OF CONTENTS

SET-UP INSTRUCTIONS.....	3-14	MAINTENANCE INSTRUCTIONS.....	22
OPERATION INSTRUCTIONS.....	15-21	REPAIR PARTS.....	23-26

RULES FOR SAFE OPERATION

1. Know the controls and how to stop quickly. **READ THE OWNER'S MANUAL.**
2. Do not allow children to operate the vehicle. Do not allow adults to operate it without proper instruction.
3. Do not carry passengers. Keep children and pets a safe distance away.
4. Always wear substantial footwear. Do not wear loose fitting clothing that could get caught in moving parts.
5. Keep your eyes and mind on your tractor, snow thrower and the area being cleaned. Don't let other interests distract you.
6. Do not attempt to operate your tractor or mower when not in the drivers seat.
7. Always get on or off your tractor from the operators left hand side.
8. Clear the work area of objects which might be picked up and thrown.
9. Disengage all attachment clutches and shift into neutral before attempting to start the engine.
10. Disengage power to attachments and stop the engine before leaving the operator's position.
11. Disengage all power to snow thrower, stop the engine and disconnect spark plug wire(s) from spark plug(s) before cleaning, making an adjustment or repairs.
12. Disengage power to attachments when transporting or not in use. Dive slowly when front or rear mounted attachment is in transport position.
13. Take all possible precautions when leaving the vehicle unattended, such as disengaging the power-take-off lowering the attachments, shifting into neutral, setting the parking brake, stopping the engine, and removing the key.
14. Do not stop or start suddenly when going uphill or downhill.
15. Reduce speed on slopes and make turns gradually to prevent tipping or loss of control. Exercise extreme caution when changing direction on slopes.
16. Do not shift gears while going up or down slopes. Choose a gear low enough to negotiate the slope without stopping and shifting gears. To reduce speed, move throttle lever to slow.
17. Stay alert for holes in the terrain and other hidden hazards.
18. Do not drive too close to creeks, ditches and public highways.
19. Exercise special care when removing snow around fixed objects in order to prevent the blades from striking them. Never deliberately run tractor or mower into or over any foreign object.
20. Never shift gears until tractor comes to a stop.
21. Never place hands or feet near the snow thrower auger, in the deflector (discharge chute) or near any moving parts while tractor or mower are running. Always keep clear of discharge chute.
22. Use care when pulling loads or using heavy equipment.
 - a. Use only approved drawbar hitch points.
 - b. Limit loads to those you can safely control.
 - c. Do not turn sharply. Use care when backing.
 - d. Use counterweights or wheel weights and tire chains when suggested in this owner's manual.
 - e. Never run snow thrower into heavy material at high speeds.
23. Watch out for traffic when crossing or near roadways.
24. When using any attachments, never direct discharge of material toward bystanders nor allow anyone near the vehicle while in operation.
25. Handle gasoline with care - it is highly flammable.
 - a. Use approved gasoline containers.
 - b. Never remove the cap of the fuel tank or add gasoline to a running or hot engine, or fill the fuel tank indoors. Wipe up spilled gasoline.
 - c. Open doors if the engine is run in the garage - exhaust fumes are dangerous. Do not run the engine indoors.
26. Keep the vehicle and attachments in good operating condition, and keep safety devices in place. When using Three Point Hitch remove attachments from hitch before making any repairs on attachment or hitch.
27. Keep all nuts, bolts, and screws tight, all cotter pins and retainer springs in place to be sure the equipment is in safe working condition.
28. Never store equipment with gasoline in the tank inside a building where fumes may reach an open flame or spark. Allow the engine to cool before storing in any enclosure.
29. To reduce fire hazard, keep the engine free of grass, leaves or excessive grease.
30. The vehicle and attachments should be stopped and inspected for damage after striking a foreign object, and the damage should be repaired before restarting and operating the equipment.
31. Do not change the engine governor settings or over-speed the engine.
32. When using the vehicle with snow thrower, proceed as follows:
 - a. Remove snow only in daylight or in good artificial light.
 - b. Never make any adjustments while the engine is running if the operator must dismount to do so.
 - c. Shut the engine off when unclogging chute.



LOOK FOR THIS SYMBOL TO POINT OUT IMPORTANT SAFETY PRECAUTIONS. IT MEANS ATTENTION! BECOME ALERT! YOUR SAFETY IS INVOLVED.

MAINTENANC

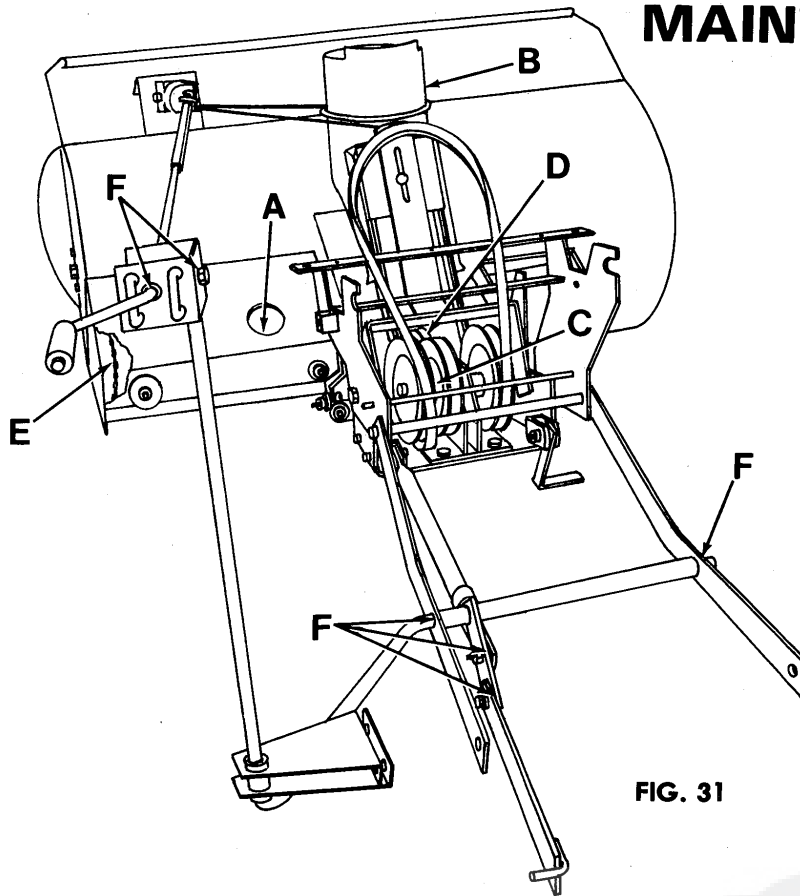


FIG. 31

LUBRICATION

THE FOLLOWING PARTS REQUIRE LUBRICATION EVERY FOUR HOURS OF MACHINE OPERATION: (See Fig. 31)

- A. Jackshaft Housing
- B. Discharge Chute
- C. Drive Pulleys
- D. Idler Pulley

NOTE: Lubricate jackshaft housing, drive pulleys and idler pulley with Amoco EP #2 Amolith grease, or equal. Apply grease with pressure gun until a slight amount of grease can be seen coming from both ends. Wipe up surplus grease from housing.

Apply grease with finger to stack ring so elbow pivots freely.

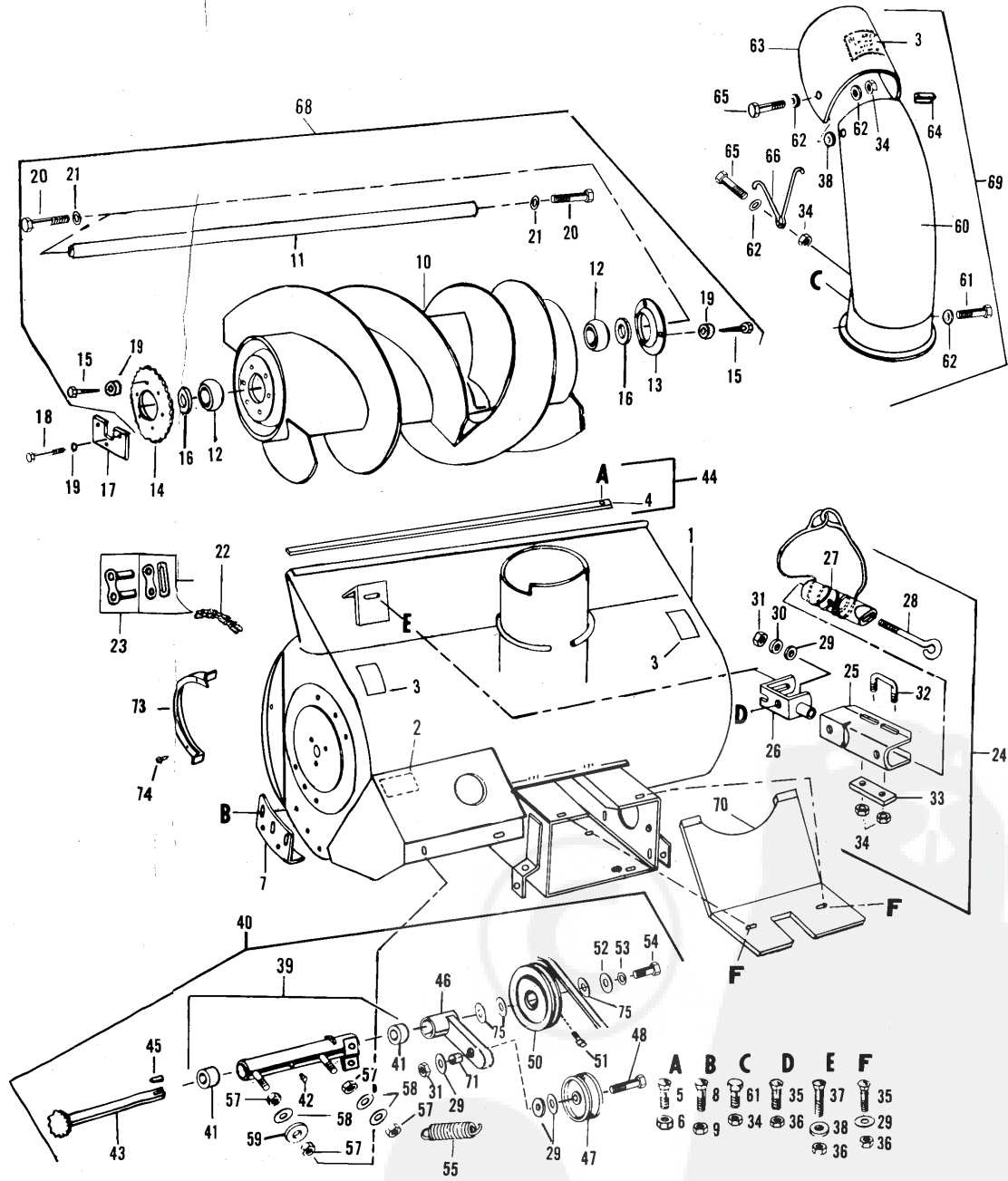
THE FOLLOWING POINTS REQUIRE LUBE OIL EVERY TWENTY HOURS OF OPERATION:

- E. Roller Chain
- F. All Pivot Points

Lubricate roller chain with oil can. This allows oil to penetrate rollers of the chain.

NOTE: BEFORE STARTING OPERATION OF ANY TRACTOR ATTACHMENT MAKE SURE UNIT HAS BEEN PROPERLY LUBRICATED. (See Lubrication Instructions)

SNOW THROWER MODEL NO. TR 800 BR



E-2219 (6.30.86)

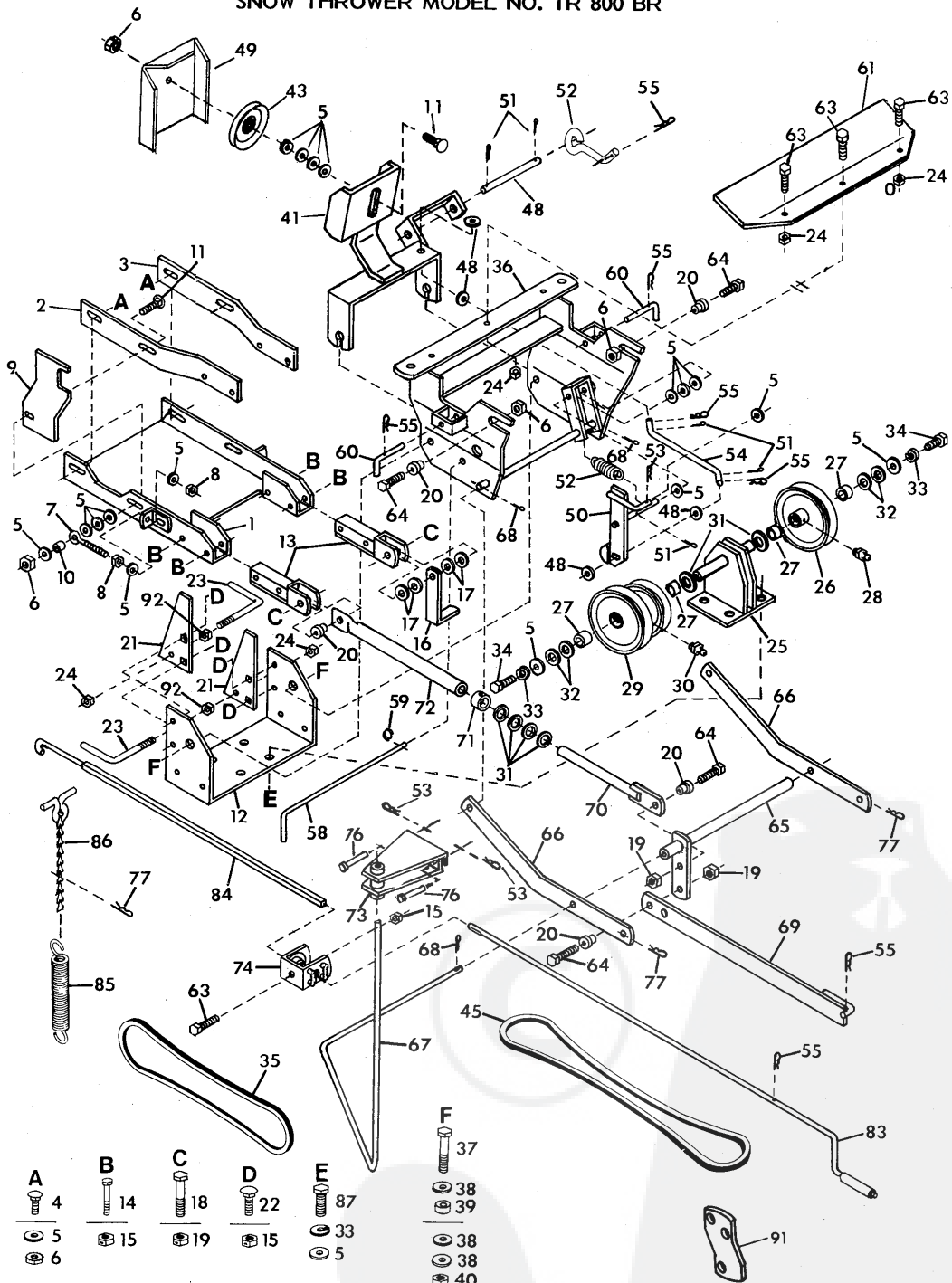
SNOW THROWER MODEL NO. TR 800 BR

Ref. No.	Part Number	Description	Qty. Req.	Ref. No.	Part Number	Description	Qty. Req.
1	11435	Header & Decal Assembly	1	52	GM446363*	Washer - 3/8 x 7/8 x .083	1
2	9713	Caution Decal	1	53	GM120382*	Washer - 3/8 Med Lock	1
3	9663	Warning Decal	3	54	GM180120*	Bolt - 3/8-16 x 3/4 Hx Hd	1
4	3013	Scraper Blade	1	55	3059	Spring	1
5	7090	Bolt	7	57	GM120378*	Nut - 1/2-13 Lt Hex	4
6	GM271178*	Nut & L'Washer Assembly - 1/4-20 Hex	7	58	GM120389*	Washer - 1/2 x 1 1/4 x .083	3
7	3045	Skid Shoe	2	59	6979	Washer	1
8	7953	Bolt	6	60	4957	Deflector & Elbow Assy	1
9	GM271184*	Nut & L'Washer Assembly - 5/16-18 Hex	6	61	GM180016*	Bolt - 1/4-20 x 1/2 Hex Head	2
10	8348	Auger Assembly	1	62	3903	Cable Washer	6
11	8350	Auger Shaft	1	63	9766	Decal & Deflector Assy	1
12	5474	Auger Shaft Bearing	2	64	6558	Deflector Molding	1
13	5473	Bearing Flange	1	65	GM180020*	Bolt - 1/4-20 x 3/4 Hex Hd	3
14	8287	Auger Sprocket	1	66	3076	Chute Guard Finger	1
15	GM180077*	Bolt - 5/16-18 x 3/4 Hex	9	68	8347	Auger Assembly (Comp)	1
16	4143	Washer	2	69	6457	Deflector & Elbow Assy	1
17	8185	Auger Mounting Plate	1	70	13344	Drive Pulley Guard	1
18	GM180075*	Bolt - 5/16-18 x 5/8 Hex	3	71	5713	Spacer	1
19	GM120214*	Washer - 5/16 Med Lock	12	73	3036	Chain Guard	2
20	GM180175*	Bolt - 1/2-13 x 1 1/4 Hex Hd	2	74	15683	Self Tapping Screw	4
21	GM120384*	Washer - 1/2 Med Lock	2	75	GM456151*	Washer - 13/16 x 1 1/2 x .134	3
22	3028	Auger Drive Chain	1	NP	16795	Instruction & Repair Manual	1
23	8456	Chain Repair Kit	1				
24	9283	LH Stack Drive Brkt Assy	1				
25	9030	Stack Drive Shroud	1				
26	9032	Bracket & Tube Assembly	1				
27	8346	Cable, Tube & Sleeves Assembly	1				
28	3955	Eye Bolt	1				
29	GM120388*	Washer - 7/16 x 1 x .083	6				
30	4772	Spring Washer	1				
31	GM9413534*	Nut - 3/8-16 Hex Lock	2				
32	8236	Level Wind "U" Bolt	1				
33	8299	Friction Strap	1				
34	4119	Nut	6				
35	GM126227*	Bolt - 3/8-16 x 3/4 Carr	3				
36	GM271190*	Nut & L'Washer Assembly - 3/8-16 Hex	4				
37	GM120915*	Bolt - 3/8-16 x 1 Carriage	1				
38	4506	Washer	3				
39	11438	Jackshaft Hsg & Brg Assy	1				
40	13372	Jackshaft Housing Assy	1				
41	8689	Needle Bearing	2				
42	5074	Grease Fitting	1				
43	11439	Jshaft & Sprocket Assy	1				
44	12073	Scraper Blade Repair Kit	1				
45	3259	Key	1				
46	13373	Idler Arm Assembly	1				
47	11496	Idler Pulley	1				
48	GM180134*	Bolt - 3/8-16 x 2 1/2 Hx Hd	1				
50	3384	Pulley & Hub Assembly	1				
51	GM142671*	Screw - 5/16-18 x 1/2 Sq Head Cup Point Set	1				

*Standard Hardware - Purchased Locally — 24-

E-2220 (6.30.86)

SNOW THROWER MODEL NO. TR 800 BR

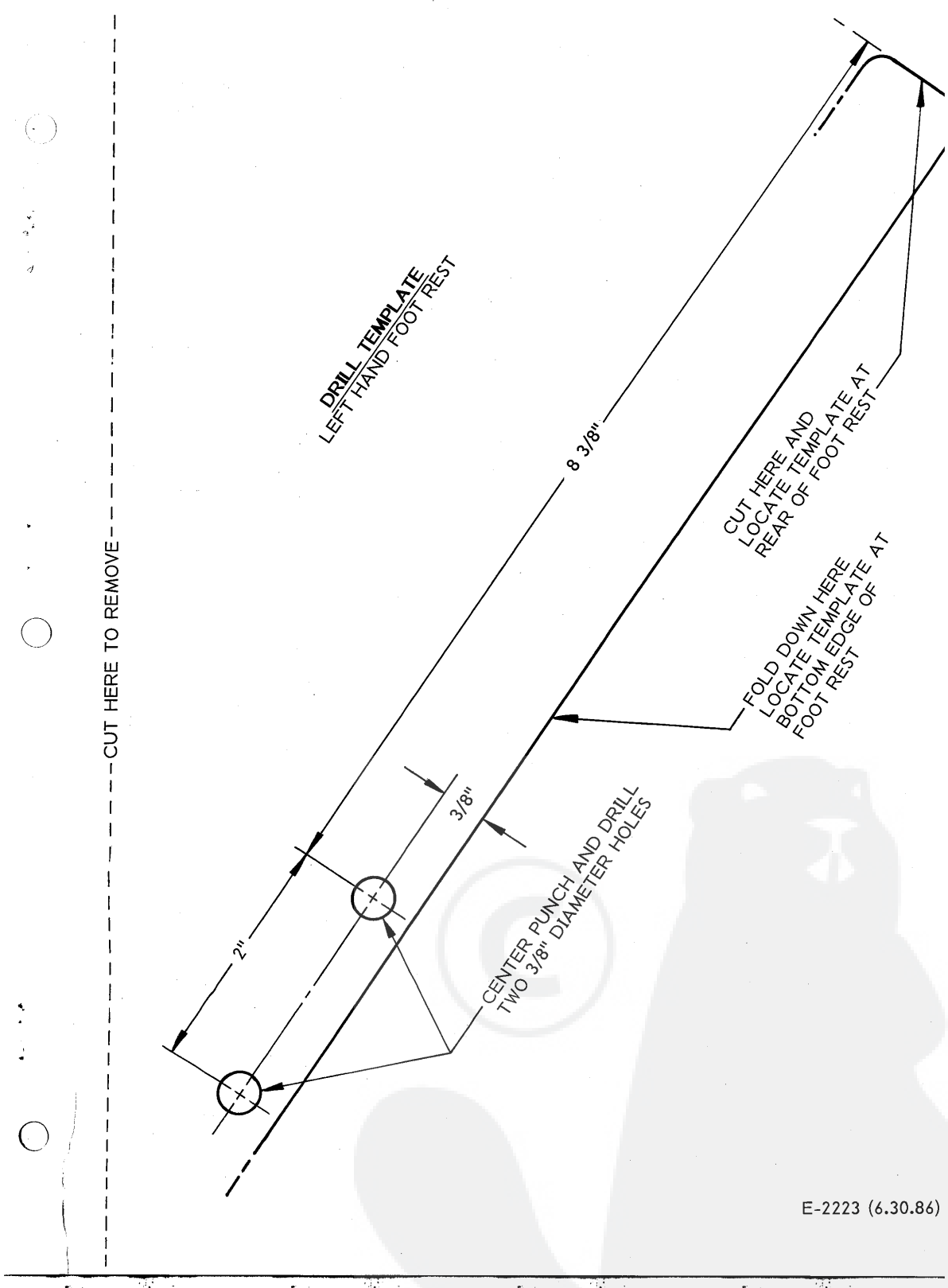


E-2221 (6.30.86)

SNOW THROWER MODEL NO. TR 800 BR

Ref. No.	Part Number	Description	Qty. Req.	Ref. No.	Part Number	Description	Qty. Req.
1	11417	Pivot Brkt Channel Assy	1	54	13341	Brake Release Rod	1
2	13301	Header Channel Strap LH	1	55	3430	Hair Cotter Pin	7
3	13302	Header Channel Strap RH	1	58	13342	Locating Pin	1
4	GM120915*	Bolt - 3/8-16 x 1 Carr	2	59	5714	Spring Clip	1
5	GM120388*	Washer - 7/16 x 1 x .083	29	60	13343	Locating Pin	2
6	GM271190*	Nut & L'Washer Assy - 3/8-16 Hex	6	61	15618	Heat Deflector	1
7	3058	Eye Bolt	2	63	GM180079*	Bolt - 5/16-18 x 1 Hx Hd	4
8	GM120377*	Nut - 3/8-16 Lt Hex	4	64	GM180124*	Bolt - 3/8-16 x 1 1/2 Hx Hd	4
9	11419	Belt Adjustment Bracket	1	65	13348	Lift Crank Assembly	1
10	5713	Spacer	2	66	15864	Crank Brace Strap	2
11	GM126422*	Bolt - 3/8-16 x 2 1/2 Carr	3	67	13352	Crank Rod Support Pin	1
12	13303	Pivot Bracket	1	68	GM103407*	Pin - Cotter	3
13	13304	Pivot Tube Assembly	2	69	13555	Lift Strap Assembly	1
14	GM180087*	Bolt - 5/16-18 x 2 Hx Hd	4	70	13357	Lift Rod Assembly	1
15	GM9413447*	Nut - 5/16-18 Hex Lock	9	71	10575	Lift Collar	1
16	13307	Kickstand Bracket	1	72	13360	Lift Tube	1
17	4506	Washer	4	73	15865	Crank Rod Support Anchor Assembly	1
18	GM180126*	Bolt - 3/8-16 x 1 1/2 Hx Hd	2	74	15436	Crank Rod Guide Bracket Assembly	1
19	GM9413534*	Nut - 3/8-16 Hex Lock	4	76	4001	Clevis Pin	2
20	3700	Trunnion	5	77	3341	Hair Cotter Pin	3
21	13308	Up Stop Plate	2	78	15859	Idler Tension Anchor Pin	1
22	7953	Carriage Bolt	4	79	15860	Idler Tension Pin	1
23	10578	Belt Popper Rod	2	83	15437	Crank Rod Assembly	1
24	GM271184*	Nut & L'Washer Assy - 5/16-18 Hex	5	84	8206	Crank Rod Ext Assembly	1
25	13310	Pulley Mtg Bracket Assy	1	85	4798	Lift Spring	1
26	13314	Idler Pulley Assembly	1	86	5737	Chain & Toggle Assembly	1
27	8689	Needle Bearing	4	87	GM180122*	Bolt - 3/8-16 x 2 Hex Hd	4
28	GM9411030*	Grease Fitting	1	91	13524	Electric Lift Bracket	1
29	13317	Pulley Assembly	1	92	GM120376*	Nut - 5/16-18 Lt Hex	2
30	5074	Grease Fitting	1				
31	GM456151*	Washer - 13/16 x 1 1/2 x .134	8				
32	3396	Washer	4AR				
33	GM120382*	Washer - 3/8 Med Lock	6				
34	GM180120*	Bolt - 3/8-16 x 3/4 Hex	2				
35	13394	V-Belt	1				
36	15857	Mounting Frame Assembly	1				
37	GM180177*	Bolt - 1/2-13 x 1 1/2 Hex Hd	2				
38	GM120396*	Washer - 17/32 x 1-1/16 x .095 Flat	6				
39	11018	Spacer	2				
40	GM120238*	Nut - 1/2-13 Hex Jam	2				
41	15615	Clutch Pivot Brkt Assy	1				
42	9069	Nut	2				
43	13453	"V" Idler Pulley	1				
45	15590	V-Belt	1				
NP	15624	Grill Strap	1				
48	GM446363*	Washer - 3/8 x 7/8 x .083	5				
49	15623	Belt Cover	1				
50	13337	Belt Bracket Assembly	1				
51	GM120123*	Pin - Cotter	5				
52	3059	Spring	1				
53	3090	Hair Cotter Pin	3				

*Standard Hardware - Purchased Locally



E-2223 (6.30.86)