

# MASTER PARTS MANUAL

## ROTARY MOWERS

## RALLY LAWN TRACTORS

### MODELS:

M1118AR  
M6187AR  
M6517BR  
M6538AR

L0239AR  
L1219AR  
L8218AR  
L8218BR  
L8218CR

*few* {  
K8327AR  
K8327BR  
K8327CR

LA049AR  
LA058AR  
LA068AR

*new. Football Exchange.*

*Jeune de lames 71285  
Courvois traction 75794  
" tondeuse 69828*

LAWN AND GARDEN  
POWER EQUIPMENT

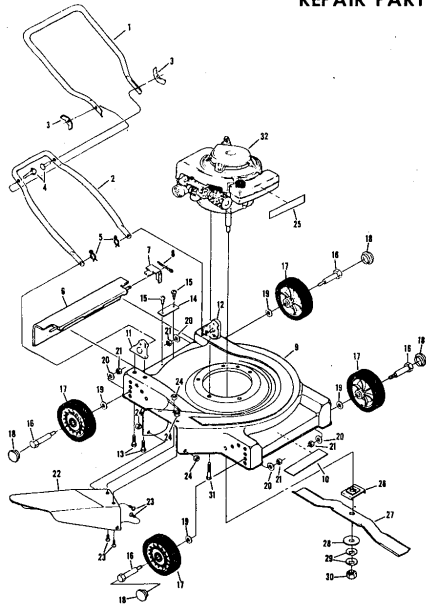
**ROPER** SALES CORP.

1905 WEST COURT STREET  
KANKAKEE, ILLINOIS 60901

PRICE \$2.00  
FEBRUARY 1, 1979

ROPER 20" 148 CC 3.5 H.P. ROTARY LAWN MOWER MODEL NUMBER M1118AR

REPAIR PARTS



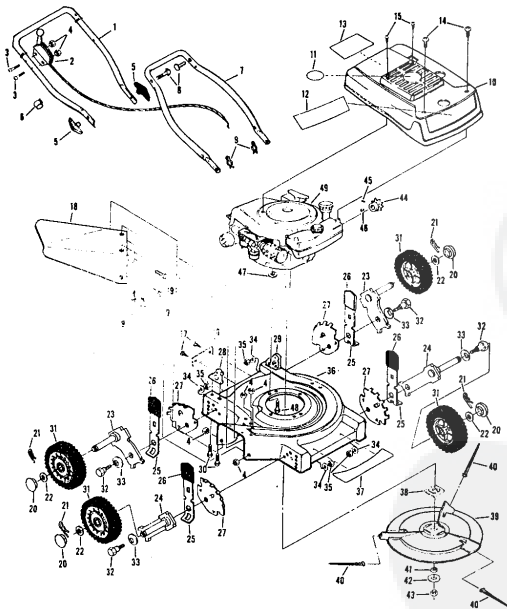
ROPER 20" 148 CC 3.5 H.P. ROTARY LAWN MOWER MODEL NUMBER M1118AR

REPAIR PARTS

Ref. No.	Part No.	Part Name	Ref. No.	Part No.	Part Name
1	64932	Handle - Upper	18	67360	Hub Cap (R.R.-L.R.-R.F.-L.F.)
2	62362	Handle - Lower	19	70080	Washer, Flat Steel .405-.860 X .250 (R.R.-L.R.-R.F.-L.F.)
3	67504	Wing Nut 5/16-18	20	54005	Washer, Flat Steel .405-.860 X .095 (R.R.-L.R.-R.F.-L.F.)
4	58714	Bolt, Handle 5/16-18 X 1 3/4	21	74400	Nut, Lock 3/8-16 (R.R.-L.R.-R.F.-L.F.)
5	51793	Hairpin Cutter - 3/4	22	67731	Discharge Guard
6	72502	Rear Skirt	23	69179	Screw, Machine #10-24 X 1/2
7	72393	Skirt Keeper	24	69100	Nut, Lock #10-24
8	63640	Cutter Pin - 3/4	25	75773	Decal - Fuel Tank
9	79262	Housing W/Silk Screening W/Decal (Incl. Ref. #10)	26	69226	Blade Flange Assembly
10	73221	Decal - Housing	27	69229	Blade
11	62886	Handle Bracket Assembly-Right	28	69385	Washer, Blade
12	62887	Handle Bracket Assembly-Left	29	54867	Washer, Spring (Ballville Type)
13	55187	Screw, Self-Tapping 5/16-18 X 3/4	30	51423	Nut, Nylon 5/8-18
14	75766	Number Plate	31	68205	Screw, Machine Hex Head W/Lock Washer 5/16-18 X 7/8
15	54562	Screw, Self-Tapping #10-24 X 3/8	32	75071	Engine-Model (LAV 25-40945L) (3.5 H.P.) (Tecumseh Products Company)
16	60838	Axle Bolt 3/8-16 (R.R.-L.R.-R.F.-L.F.)			Parts List - Owner's Manual
17	75071	Wheel and Tire Assembly-7" (R.R.-L.R.-R.F.-L.F.)	75768		

ROPER 20" WHIP STIK™ 164CC 4.0 H.P. POWER PROPELLED LAWN MOWER MODEL NUMBER M6187AR

REPAIR PARTS

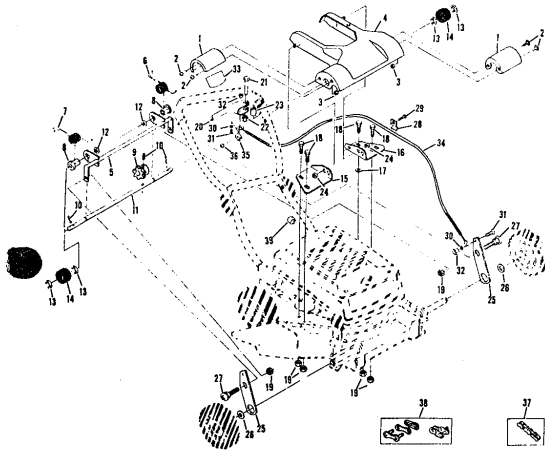


ROPER 20" WHIP STIK™ 164CC 4.0 H.P. POWER PROPELLED LAWN MOWER MODEL NUMBER M6187AR

Ref. No.	Part No.	Part Name	Ref. No.	Part No.	Part Name
1	75193	Handle - Upper	28	62886	Handle Bracket Assembly-Right
2	73445	Remote Control	29	62887	Handle Bracket Assembly-Left
3	69411	Screw, Machine Phillips #10-24 X 1 3/4	30	55187	Screw, Self-Tapping 5/16-18 X 3/4
4	69180	Nut, Lock #10-24	31	72425	Wheel and Tire Assembly-8" (R.R.-L.R.-R.F.-L.F.)
5	58715	Knob - Handle	32	64763	Bolt, Shoulder (Special) 3/8-16 (R.R.-L.R.-R.F.-L.F.)
6	38891	Cable Clip	33	62335	Washer, Belleville .500-1.10 X .082 (R.R.-L.R.-R.F.-L.F.)
7	62362	Handle - Lower	34	62333	Washer, Flat Steel .300-1.437 X .074 (R.R.-L.R.-R.F.-L.F.)
8	58714	Bolt, Handle 5/16-18 X 1 3/4	35	74400	Nut, Lock 3/8-16
9	51793	Hairpin Cutter - 3/4	36	79294	Housing W/Silk Screening W/Decal (Incl. Ref. #37)
10	79285	Engine Shroud Pack (Incl. Ref. #11,12,13)	37	75325	Decal - Housing
11	74779	Decal - Center	38	74654	Flange Assembly
12	73216	Decal - Shroud	39	74199	Pin Holder
13	74656	Decal - Engine Instruction	40	74334	Pin (Three required)
14	73322	Screw, Self-Tapping #8 X 3/4	41	74393	Spacer
15	68246	Screw, Self-Tapping 1/4-20 X 3/4	42	74456	Washer, Belleville .630-1.875 X .129
16	75215	Number Plate	43	51433	Nut, Nylon 5/8-18
17	54562	Screw, Self-Tapping #10-24 X 3/8	44	71851	Spracket 9 Tooth W/2 Set Screw (Incl. Ref. #45)
18	67731	Discharge Guard	45	52828	Set Screw 1/4-28 X 3/16
19	69179	Screw, Machine #10-24 X 1/2	46	52978	Key, Woodruff #5
20	67360	Hub Cap (R.R.-L.R.-R.F.-L.F.)	47	59289	Washer, Flat Steel .328-1 X .097 5/16-18 X 7/8
21	55015	Retainer Clip (R.R.-L.R.-R.F.-L.F.)	48	68205	Screw, Machine Hex Head 5/16-18 X 7/8
22	52160	Washer, Flat Steel .515-1 X .031 (R.R.-L.R.-R.F.-L.F.)	49		Engine-Model (LAV 40-5037SD) (4.0 H.P.) (Tecumseh Products Company)
23	69474	Axle Arm Assembly (R.R.-L.R.-L.F.)			Parts List - Owner's Manual
24	73632	Axle Arm Assembly (R.R.-L.R.-L.F.)			
25	70683	Selector Spring (R.R.-L.R.-R.F.-L.F.)			
26	70685	Selector Knob (R.R.-L.R.-R.F.-L.F.)			
27	69478	Wheel Adjusting Bracket (R.R.-L.R.-R.F.-L.F.)	75218		

ROPER 20" WHIP STIK™ 164CC 4.0 H.P. POWER PROPELLED LAWN MOWER MODEL NUMBER M6187AR

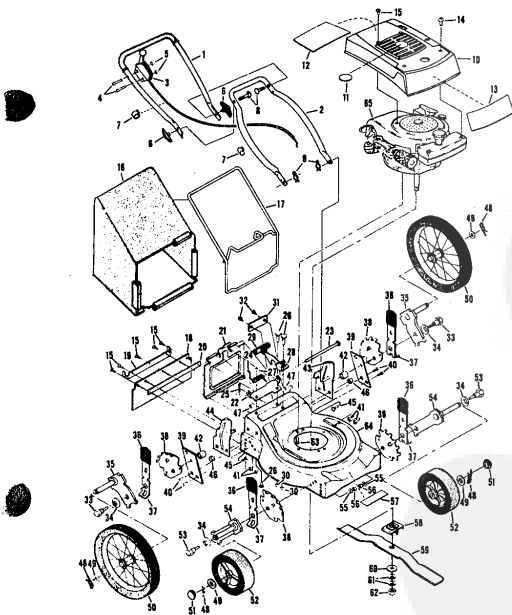
REPAIR PARTS



ROPER 20" WHIP STIK™ 164CC 4.0 H.P. POWER PROPELLED LAWN MOWER MODEL NUMBER M6187AR

Ref. No.	Part No.	Part Name	Ref. No.	Part No.	Part Name
1	73629	Drive Cover	22	72979	Nut, Shoulder (Special) 1/4-28
2	75136	Screw, Machine #10-24 X 1/2	23	73405	Spacer
3	53491	Nut, Lock #10-24	24	52365	E-Ring 3/8 Shaft
4	73787	Chain Cover Assembly	25	74162	Lower Link
5	73626	Yoke Assembly	26	74252	Washer, Flat Steel .531-1.187 X .148
6	73115	Spring - L.H.	27	73916	Bolt, Shoulder (Special) 1/4-20 X 3/4
7	73172	Spring - R.H.	28	73276	Retainer
8	73087	Bearing	29	55187	Screw, Self-Tapping 5/16-18 X 3/4
9	73696	Sprocket - 8 Tooth	30	74190	Spacer
10	52379	Spring Pin 3/16 X 1	31	57155	Screw, Machine #10-24 X 5/8
11	73628	Driven Shaft	32	69180	Nut, Lock #10-24
12	73928	Washer, Flat Steel .628-1.25 X .028	33	73442	Decal - Clutch
13	52364	E-Ring 5/8 Shaft	34	74158	Cable
14	67973	Driver	35	73755	Cable Clamp
15	75113	Pivot - R.H.	36	68662	Screw, Self-Tapping #10 X 7/8
16	75214	Pivot - L.H.	37	74787	Chain #65 (44 Pitch)
17	63128	Washer, Flat Steel .265-3/4 X .082	38	69472	Repair Link Kit (Incl. Offset and Connecting Link)
18	54395	Screw, Hex Head 1/4-20 X 5/8	39	58891	Cable Clip
19	74218	Nut, Lock 1/4-20			
20	74161	Lever			
21	72978	Bolt, Shoulder (Special) 1/4-28 X 1 5/8			

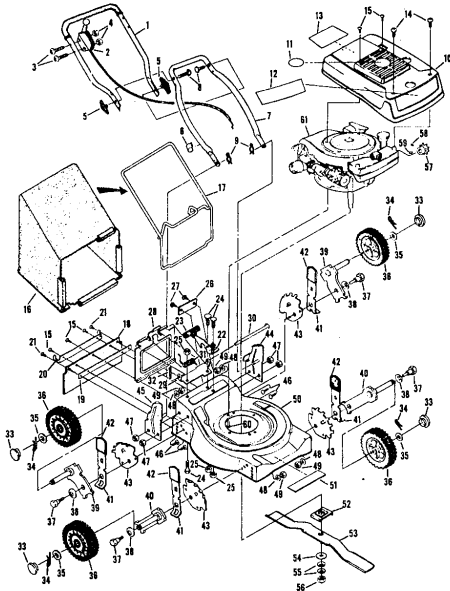
ROPER 20" HIGH WHEEL REAR BAGGER 4.0 H.P. ROTARY LAWN MOWER MODEL NUMBER M6517BR



ROPER 20" HIGH WHEEL REAR BAGGER 4.0 H.P. ROTARY LAWN MOWER MODEL NUMBER M6517BR

Ref. No.	Part No.	Part Name	Ref. No.	Part No.	Part Name
1	74478	Handle - Upper	37	70683	Selector Spring (R.F.-L.F.-R.R.-L.R.)
2	62262	Handle - Lower	38	69478	Wheel Adjusting Bracket (R.F.-L.F.-R.R.-L.R.)
3	73445	Remote Control	39	73712	Bracket Support (R.R.-L.R.)
4	69411	Screw, Machine Phillips #10-24 X 1 1/4	40	73403	Bolt, Hex Head 3/8-16 X 5/8 (R.R.-L.R.)
5	69180	Nut, Lock #10-24	41	51961	Nut, Lock 3/8-16 (R.R.-L.R.)
6	58715	Knob - Handle	42	73713	Spacer (R.R.-L.R.)
7	58891	Cable Clip	43	78992	Handle Bracket - L.H.
8	58714	Bolt, Handle 5/16-18 X 1 3/4	44	78991	Handle Bracket - R.H.
9	51792	Mainpin Cutter - 3/4	45	75156	Bolt, Carriage 5/16-18 X 1/2 (R.R.-L.R.)
10	79261	Engine Shroud Pack (Incl. Ref. #11, 12, 13)	46	74399	Nut, Lock 5/16 X 18
11	74640	Decal - Center	47	68478	Nut, Lock 5/16 X 18 (R.R.-L.R.)
12	74909	Decal - Engine Instruction	48	55015	Retainer Clip (R.R.-L.R.-R.F.-L.F.)
13	74960	Decal - Shroud	49	52160	Washer, Flat Steel .515-1 X .031 (R.R.-L.R.-R.F.-L.F.)
14	73322	Screw, Self-Tapping #8 X 3/4	50	73422	Wheel and Tire Assembly 14.00 X 1.75 (R.R.-L.R.)
15	68346	Screw, Self-Tapping 1/4-20 X 3/4	51	67360	Hub Cap
16	75362	Catcher Bag	52	75073	Wheel and Tire Assembly 8.00 X 1.75 (R.F.-L.F.)
17	72870	Catcher Frame	53	64763	Bolt, Shoulder 3/8-16 (Special) (R.F.-L.F.)
18	73874	Rear Skin	54	69474	Axle Arm Assembly (R.F.-L.F.)
19	73176	Catcher Support	55	62333	Washer, Flat Steel .300-.437 X .074 (R.F.-L.F.)
20	73061	Backing Strip	56	65543	Nut, Lock 3/8-16 (R.F.-L.F.)
21	72869	Rear Door	57	73221	Decal - Housing
22	72125	Hinge Bracket	58	69226	Blade Flange Assembly
23	73326	Hinge Rod	59	69229	Blade
24	72962	Spring	60	69385	Washer, Blade
25	65640	Cotter Pin - 5/64	61	54657	Washer, Spring (Bellville Type)
26	73383	Bolt, Carriage 1/4-20 X 5/8 (Special) (R.R.-L.R.)	62	51433	Nut, Nylok 5-18
27	65601	Nut, Lock 1/4-20	63	68205	Screw, Machine Hex Head W Lock Washer 5/16-18 X 7/8
28	72881	Catcher Latch (Incl. Ref. #29)	64	79258	Housing W/316 (With Decal) (Incl. Ref. #2)
29	68618	Knob	65		Engine-Model (LAV 40-50374D) (Tecumseh Products Co.) 4.0 H.P.
30	74218	Nut, Lock 1/4-20	75616		Parts List-Owner's Manual
31	75614	Number Plate			
32	54562	Screw, Self-Tapping #10-24 X 3/8			
33	73714	Bolt, Shoulder 5/16-18 (Special) (R.R.-L.R.)			
34	62335	Washer, Bellville .505-1.10 X .082 (R.R.-L.R.-R.F.-L.F.)			
35	73420	Axle Arm Assembly (R.R.-L.R.)			
36	70685	Knob-Selector (R.F.-L.F.-R.R.-L.R.)			

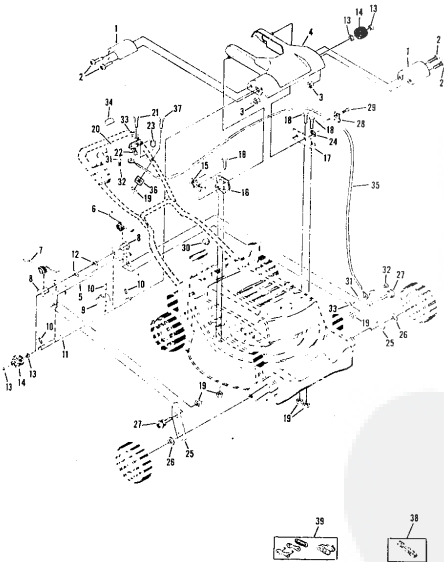
ROPER 20" REAR BAGGER 164CC 4.0 H.P. POWER-PROPELLED  
LAWN MOWER MODEL NUMBER M6538AR **REPAIR PARTS**



ROPER 20" REAR BAGGER 164CC 4.0 H.P. POWER-PROPELLED **REPAIR PARTS**  
LAWN MOWER MODEL NUMBER M6538AR

Ref. No.	Part No.	Part Name	Ref. No.	Part No.	Part Name
1	76468	Handle - Upper	36	72425	Wheel and Tire Assembly-8" (R.R.-L.R.-R.F.-L.F.)
2	73445	Remote Control	37	64763	Bolt, Shoulder (Special) 3/8-16 (R.R.-L.R.-R.F.-L.F.)
3	69411	Screw, Machine Phillips #10-24 X 1 3/4	38	62335	Washer, Belleville .505-1.10 X .062 (R.R.-L.R.-R.F.-L.F.)
4	69180	Nut, Lock #10-24	39	69474	Axle Arm Assembly (R.F.-L.R.)
5	52715	Knob - Handle	40	73632	Axle Arm Assembly (R.R.-L.R.-L.F.)
6	58891	Cable Clip	41	70683	Selector Spring (R.R.-L.R.-R.F.-L.F.)
7	62362	Handle - Lower	42	70685	Selector Knob (R.R.-L.R.-R.F.-L.F.)
8	52714	Bolt, Handle 5/16-18 X 1 3/4	43	69478	Wheel Adjusting Bracket (R.R.-L.R.-R.F.-L.F.)
9	51793	Mainpin Cutter - 3/4	44	78992	Handle Bracket Assembly-Left
10	79261	Engine Shroud Pack (Incl. Ref. #11,12,13)	45	78991	Handle Bracket Assembly-Right
11	74640	Decal - Center	46	75156	Bolt, Carriage 5/16-18 X 1/2 (R.R.-L.R.)
12	74960	Decal - Shroud	47	74399	Nut, Lock 5/16-18 (R.R.-L.R.)
13	74959	Decal - Engine Instruction	48	62333	Washer, Flat Steel .390-1.457 X .074 (R.R.-L.R.-R.F.-L.F.)
14	73322	Screw, Self-Tapping #8 X 3/4	49	74400	Nut, Lock 3/8-16 (R.R.-L.R.-R.F.-L.F.)
15	68546	Screw, Self-Tapping 1/4-20 X 3/4	50	79269	Housing W/Silk Screening W/Decal (Incl. Ref. #51)
16	75363	Catcher Bag	51	73221	Decal - Housing
17	72870	Catcher Frame	52	69226	Blade Flange Assembly
18	72883	Rear Skirt	53	69229	Blade
19	72061	Backing Strip	54	69285	Washer, Blade
20	73176	Catcher Support	55	54867	Washer, Spring (Belleville Type)
21	73845	Screw, Self-Tapping 1/4-20 X 1/2	56	51633	Nut, Nylok 5/8-16
22	72881	Catcher Latch (Incl. Ref. #23)	57	71851	Sprocket 9 Tooth W/2 Set Screw (Incl. Ref. #58)
23	68618	Knob	58	52826	Set Screw 1/4-28 X 3/16
24	73383	Bolt, Carriage 1/4-20 X 5/8	59	52978	Key, Woodruff #5
25	74218	Nut, Lock 1/4-20	60	68205	Screw, Machine Hex Head 5/16-18 X 7/8
26	75788	Number Plate	61		Engine-Model (LAV 40-50375D) (Tecumseh Products Company) (4.0 H.P.)
27	54562	Screw, Self-Tapping #10-24 X 3/8		75790	Parts List - Owner's Manual
28	72869	Rear Deck			
29	73215	Hinge Bracket			
30	73326	Hinge Rod			
31	72962	Spring			
32	68640	Cutter Pin - 3/4			
33	67360	Hub Cap (R.R.-L.R.-R.F.-L.F.)			
34	55015	Retainer Clip (R.R.-L.R.-R.F.-L.F.)			
35	52160	Washer, Flat Steel .515-1 X .031 (R.R.-L.R.-R.F.-L.F.)			

ROPER 20" REAR BAGGER 164CC 4.0 H.P. POWER-PROPELLED **REPAIR PARTS**  
LAWN MOWER MODEL NUMBER M6538AR

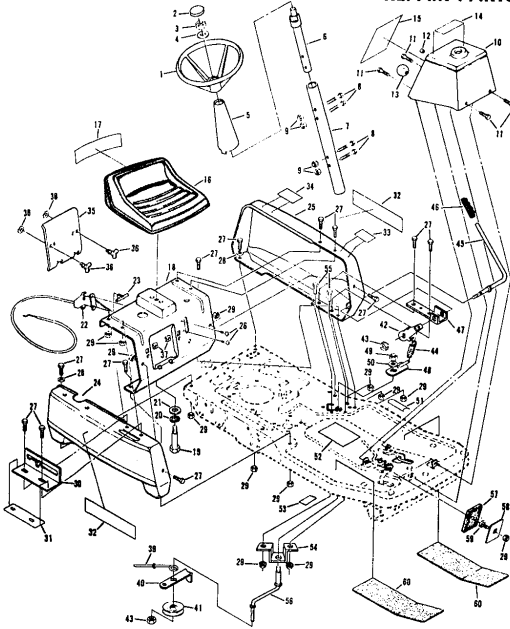


ROPER 20" REAR BAGGER 164CC 4.0 H.P. POWER-PROPELLED **REPAIR PARTS**  
LAWN MOWER MODEL NUMBER M6538AR

Ref. No.	Part No.	Part Name	Ref. No.	Part No.	Part Name
1	73629	Drive Cover	22	72979	Nut, Shoulder (Special) 1/4-28
2	75136	Screw, Machine #10-24 X 1/2	23	73405	Spacer
3	53491	Nut, Lock #10-24	24	52365	E-Ring 3/8 Shaft
4	76335	Chain Cover Assembly	25	74162	Lower Link
5	73626	Yoke Assembly	26	74232	Washer, Flat Steel .531-1.187 X .148
6	73115	Spring - L.H.	27	73916	Bolt, Shoulder (Special) 1/4-20
7	73172	Spring - R.H.	28	73276	Retainer
8	73087	Bearing	29	55187	Screw, Self-Tapping 5/16-18 X 3/4
9	72696	Sprocket - 8 Tooth	30	58891	Cable Clip
10	52379	Spring Pin - 3/16 X 1	31	74190	Spacer
11	73628	Driven Shaft	32	57155	Screw, Machine 10-24 X 5/8
12	73928	Washer, Flat Steel .828 - 1.25 X .028	33	69180	Nut, Lock 10-24
13	52364	E-Ring 5/8 Shaft	34	73442	Decal - Clutch
14	67973	Driver	35	76406	Cable
15	75043	Pivot Adjusting Bracket	36	76370	Cable Clamp
16	74617	Pivot - R.H.	37	65131	Screw, Machine 1/4-20 X 1 1/2
17	74618	Pivot - L.H.	38	74787	Chain .65 (44 Pitches)
18	54395	Screw, Hex Head 1/4-20 X 5/8	39	60472	Repair Link Kit (Incl. Offset and Connecting Link)
19	74216	Nut, Lock 1/4-20			
20	74161	Lever			
21	72978	Bolt, Shoulder (Special) 1/4-28 X 1 5/8			

ROPER 32" REAR ENGINE RIDING LAWN MOWER ELECTRIC START 8.0 H.P. MODEL NUMBER K8327AR

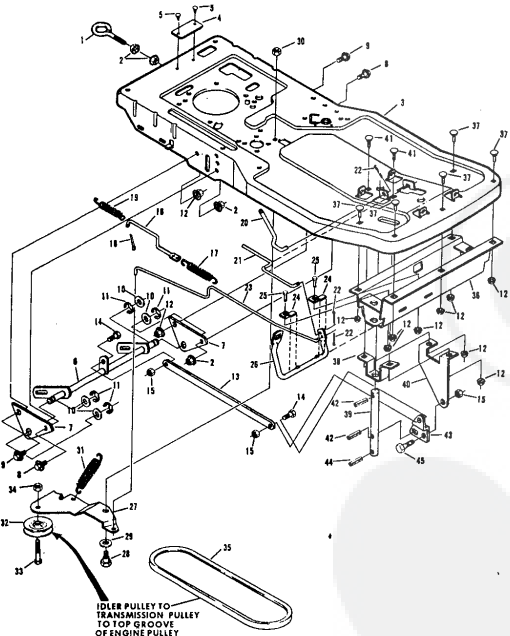
REPAIR PARTS



ROPER 32" REAR ENGINE RIDING LAWN MOWER ELECTRIC START 8.0 H.P. MODEL NUMBER K8327AR

Ref. No.	Part No.	Part Name	Ref. No.	Part No.	Part Name
1	74544	Steering Wheel	29	54922	Nut, Keps 5/16-18
2	74572	Insert Cap	30	74531	Shifter Gate
3	50830	Nut, Lock 1/2-20	31	74560	Decal - Shift
4	53632	Washer, Flat Steel .531-1 X .063	32	74601	Decal-Side Panel (L.H.-R.H.)
5	72705	Steering Shaft Cover	33	74561	Decal-Brake Control
6	74565	Steering Shaft - Upper	34	74512	Decal-Engine Area
7	74582	Steering Shaft Extension	35	72926	Battery Holder
8	69902	Bolt, Hex Head 1/4-20 X 1 1/4	36	73319	Wing Head Stud
9	63601	Nut, Lock 1/4-20	37	73320	Receptacle
10	74523	Console Assembly	38	73321	Split Ring
11	71263	Screw, Thread Cutting 5/16-18 X 1/2	39	72907	Blade Brake Rod
12	71673	Flange Cap	40	74544	Bolt Keeper
13	55862	Knob	41	53018	Idler Pulley
14	75122	Decal-Operating Instructions	42	74613	Spring Arm
15	74558	Decal-Instruction	43	51961	Nut, Lock 3/8-16
16	74563	Seat Assembly	44	75045	Spring
17	75070	Decal - Seat	45	74538	Blade Clutch Lever
18	74563	Front Panel	46	71246	Grip
19	72639	Bolt, Shoulder (Special) 1/2-13	47	74539	Handle Bracket
20	18810	Washer, Lock - 1/2"	48	75339	Control Arm Assembly
21	53034	Washer, Flat Steel .531-1.187 X .127	49	62336	Nut, Lock 3/8-16
22	74537	Remote Control Assembly (Incl. Ref. 123)	50	67510	Washer, Flat Steel .390-5/8 X .090
23	61159	Knob - Remote Control	51	74559	Decal-Enter and Exit
24	74534	Side Panel - R.H.	52	74557	Decal-Brake Instruction
25	74532	Side Panel - L.H.	53	68306	Decal-Clutch and Brake
26	68346	Screw, Self-Topping 1/4-20 X 3/4	54	74542	Idler Support Bracket
27	71949	Screw, Machine Hex Head 5/16-18 X 3/4	55	51630	Bolt, Carriage 5/16-18 X 3/4
28	52915	Washer, Flat Steel .328-1.125 X .063	56	74543	Idler Arm
			57	67665	Foot Pad
			58	67189	Foot Pedal Plate
			59	67613	Bolt, Carriage 5/16-18 X 3/4
			60	72384	Floor Board Pad

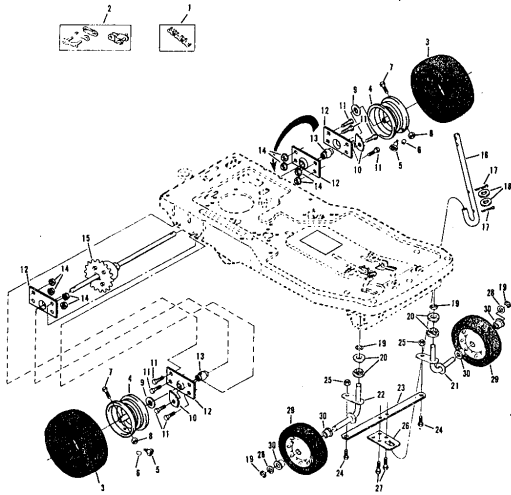
ROPER 32" REAR ENGINE RIDING LAWN MOWER ELECTRIC START 8.0 H.P. MODEL NUMBER K8327AR



ROPER 32" REAR ENGINE RIDING LAWN MOWER ELECTRIC START 8.0 H.P. MODEL NUMBER K8327AR

Ref. No.	Part No.	Part Name	Ref. No.	Part No.	Part Name
1	70530	Tow Hitch - Eyebolt	24	72360	Foot Pedal Clamp
2	55615	Nut, Keps 3/8-16	25	54262	Screw, Machine Hex W/Washer 5/16-18 X 5/8
3	74514	Chassis Assembly	26	72387	Foot Pedal
4	74524	Number Plate	27	67174	Motion Idler
5	61000	Plastic Rivet	28	58855	Bolt, Shoulder (Special) 5/16-24
6	75264	Lever Arm Assembly	29	67725	Washer, Flat Steel .531-1 X .134
7	75265	Side Bracket	30	54928	Nut, Lock 5/16-24
8	55912	Screw, Hex Head 3/8-16 X 3/4	31	73275	Spring - Idler
9	51630	Screw, Hex Head 5/16-18 X 3/4	32	58018	Pulley - Idler
10	53748	Washer, Flat Steel .640-1 X .063	33	55918	Screw, Hex Head 3/8-16 X 1 1/2
11	52364	E-Ring 5/8 Shaft	34	51961	Nut, Hex Lock 3/8-16
12	54922	Nut, Keps 5/16-18	35	67346	V-Belt
13	74545	Parallel Bar	36	72357	Front Member Assembly
14	67394	Bolt, Shoulder 5/16-18 X 3/4	37	72375	Lifter Bracket
15	63124	Nut, Lock 5/16-18	38	74516	Ballcrank Bracket
16	72386	Brake Rod - Rear	39	63079	Bolt, Carriage 5/16-18 X 1
17	64284	Spring	40	74572	Drive Lock Pin Type B
18	2947	Cotter Pin - 3/4	41	74522	Ballcrank
19	62355	Spring	42	73446	Drive Lock Pin Type F
20	74527	Lifter Handle	43	68475	Bolt, Shoulder 5/16-18 X 3/4
21	72361	Parking Brake Rod			
22	63640	Cotter Pin - 3/4			
23	72393	Motion Clutch and Brake Rod			

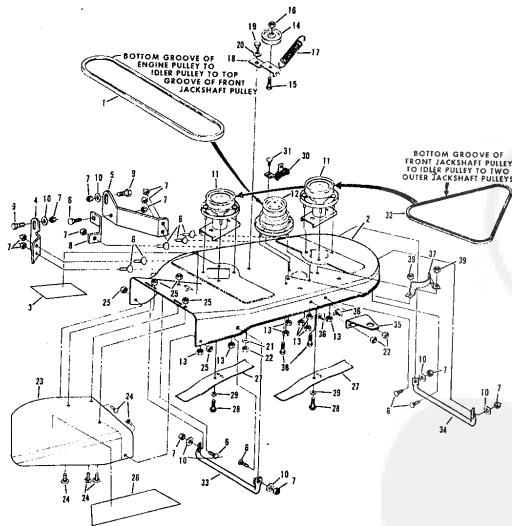
ROPER 32" REAR ENGINE RIDING LAWN MOWER ELECTRIC START 8.0 H.P. MODEL NUMBER K8327AR



ROPER 32" REAR ENGINE RIDING LAWN MOWER ELECTRIC START 8.0 H.P. MODEL NUMBER K8327AR

Ref. No.	Part No.	Part Name	Ref. No.	Part No.	Part Name
1	72818	Chain - 41 (82 Pitches)	17	2655	Cutter Pin - 1/8
2	60474	Repair Link Kit (Incl. Offset and Connecting Link)	18	57911	Washer, Flat Steel .640-1.250 X .063
3	70302	Tire - 13/8.00 X 4 (R.R.-L.R.)	19	53264	E-Ring 5/8 Shaft
4	70301	Rim (R.R.-L.R.)	20	71208	Bushing
5	65139	Valve Stem (R.R.-L.R.)	21	72401	Kingpin - L.H.
6	59192	Valve Cup (R.R.-L.R.)	22	72400	Kingpin - R.H.
7	67349	Bolt, Hex Head 5/16-18 X 1 5/8 (R.R.-L.R.)	23	72358	Tie Bar
8	67818	Nut, Lock 5/16-18 (R.R.-L.R.)	24	55855	Bolt, Shoulder (Special) 5/16-24 (R.F.-L.F.)
9	52966	Washer, Flat Steel .765-1.250 X .060 (R.R.-L.R.)	25	68990	Nut, Lock 5/16-24 (R.F.-L.F.)
10	67703	Chain Adjuster	26	72359	Steering Plate
11	51447	Screw, Hex Head 5/16-18 X 7/8 (R.R.-L.R.)	27	71063	Screw, Hex Head Thread Cutting 5/16-18 X 1/2
12	72382	Bearing Cup (R.R.-L.R.)	28	53848	Washer, Flat Steel .630-1 X .031
13	62346	Bearing (R.R.-L.R.)	29	67350	Wheel and Tire Assembly 10.50 X 3.50 (R.F.-L.F.) (Incl. Ref. #20)
14	54522	Nut, Keps 5/8-18 (R.R.-L.R.)			
15	73523	Differential Assembly (See Page 28)			
16	72547	Steering Shaft	30	64906	Bearing (R.F.-L.F.)

ROPER 32" REAR ENGINE RIDING LAWN MOWER ELECTRIC START 8.0 H.P. MODEL NUMBER K8327AR

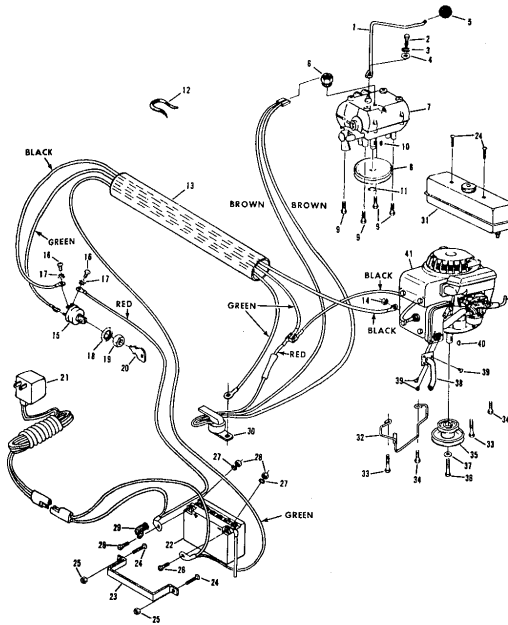


ROPER 32" REAR ENGINE RIDING LAWN MOWER ELECTRIC START 8.0 H.P. MODEL NUMBER K8327AR

Ref. No.	Part No.	Part Name	Ref. No.	Part No.	Part Name
1	74212	V-Belt	20	67356	Washer, Flat Steel .630-1 X .050
2	79296	Housing W/Slit Screwing W/Decal (Incl. Ref. #3)	21	55611	Washer, Flat Steel .405-.860 X .172
3	75382	Decal - Housing	22	62336	Nut, Lock 3/8-16
4	74551	Housing Lifter - R.H.	23	71596	Discharge Guard
5	74552	Housing Lifter - L.H.	24	73383	Bolt, Carriage 1/4-20 X 5/8
6	59476	Bolt, Carriage 5/16-18 X 3/4	25	65001	Nut, Lock 1/4-20
7	63124	Nut, Lock 5/16-18	26	75085	Decal - Discharge Guard
8	74553	Strip	27	67405	Blade
9	58909	Bolt, Shoulder (Special) 5/16-18	28	67676	Screw, Machine Hex Head 3/8-24 X 7/8
10	50806	Washer, Flat Steel .328-.750 X .063	29	67354	Washer, Flat Steel .390-2.38 X .156
11	69542	Jackshaft Assembly - Driven	30	68107	Brake Assembly
12	69542	Jackshaft Assembly - Driver	31	73609	Bolt, Hex Head 3/8-16 X 5/8
13	55615	Nut, Keps 3/8-16	32	67398	V-Belt
14	67400	Idler Pulley	33	74548	Skid - R.H.
15	55918	Screw, Hex Head W/Lock Washer 3/8-16 X 1 1/2	34	74549	Skid - L.H.
16	51961	Nut, Lock 3/8-16	35	74550	Mower Support
17	67401	Spring	36	61306	Bolt, Carriage 3/8-16 X 3/4
18	67399	Idler Arm	37	67404	Bolt Knob
19	62361	Bolt, Shoulder (Special) 3/8-16	38	54982	Screw, Hex Head 5/16-18 X 3/4
			39	54922	Nut, Keps 5/16-18



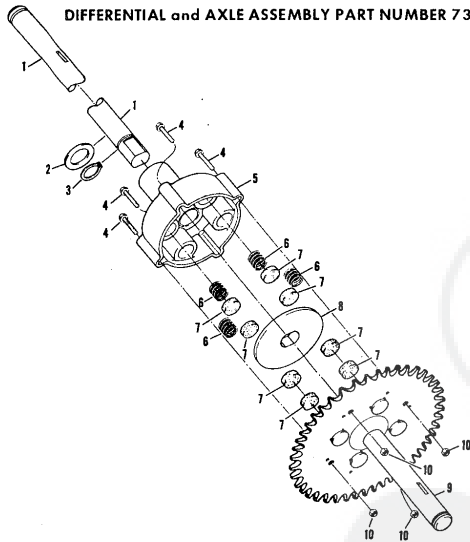
ROPER 32" REAR ENGINE RIDING LAWN MOWER ELECTRIC START 8.0 H.P. MODEL NUMBER K8327AR



ROPER 32" REAR ENGINE RIDING LAWN MOWER ELECTRIC START 8.0 H.P. MODEL NUMBER K8327AR

Ref. No.	Part No.	Part Name	Ref. No.	Part No.	Part Name
1	75266	Shift Lever	24	58609	Screw, Machine 1/4-20 X 5/8
2	75246	Bolt, Hex Head 1/4-28 X 1/2	25	63601	Nut, Lock 1/4-20
3	5081	Washer, Lock 1/4	26		Screw, Hex Head 1/4-20
4	53847	Washer, Flat Steel .265-.750 X .063	27		(Furnished With Battery Pack)
5	55862	Knob	28		Washer, Lock 1/4-20
6	74525	Switch - Transmission	29		(Furnished With Battery Pack)
7	794212	Knob	29	64422	Terminal Block
		Transmission Assembly Model 145-719 (See Pages 30 and 31)	30	74530	Switch - Relay Module
8	73541	Pulley - Transmission	31	74099	Fuel Tank
9	54262	Screw, Machine Hex Head 5/16-18 X 7/8	32	72392	Belt Keeper
10	58349	Key, Woodruff #9	33	74996	Screw, Thread Form 5/16-18 X 1
11	65302	Retainer Ring 5/8 Shaft	34	55187	Screw, Hex Head Topping 5/16-18 X 3/4
12	43174	Wire Tie	35	72388	Engine Pulley
13	74535	Wire Harness	36	68274	Screw, Machine 3/8-24 X 1 3/8
14	53490	Nut, Lock 1/4-20	37	62735	Washer, Flat Steel .375-1.250 X .201
15	72841	Ignition Switch (Incl. Ref. #16, 17, 18, 19, 20)	38	75063	Exhaust Tube
16	67756	Screw, #10-32 X .31	39	36462	Screw, #8 Type AB X 3/8
17	67757	Washer, Lock Internal Tooth #10	40	32859	Key, Woodruff #61
18	67758	Washer, Lock Internal Tooth 5/8	41		Engine Model-WM80-15010SD (Cummins Products Company) (8.0 H.P.)
19	67759	Nut, Hex 5/8-32		74569	Parts List - Owner's Manual
20	67760	Key Set (Pair)			
21	70452	Battery Charger			
22	70451	Battery Pack			
23	72706	Battery Strap			

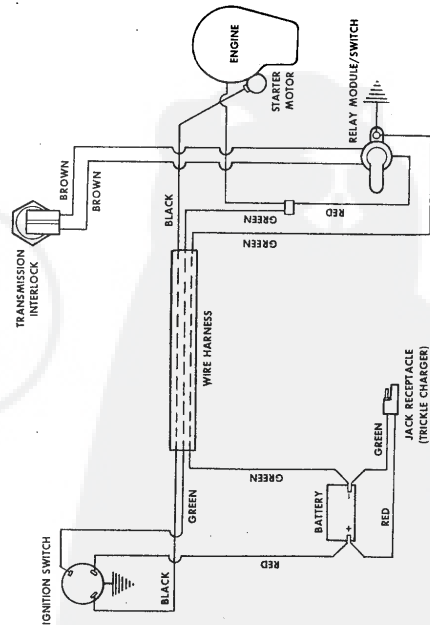
ROPER 32" REAR ENGINE RIDING LAWN MOWER ELECTRIC START 8.0 H.P. MODEL NUMBER K8327AR  
DIFFERENTIAL and AXLE ASSEMBLY PART NUMBER 73523



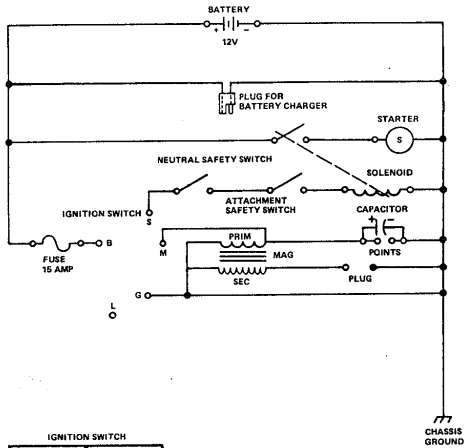
Ref. No.	Part No.	Part Name	Ref. No.	Part No.	Part Name
1	79099	Slip Axle	5	79022	Housing W/Bearings
2	78982	Washer, Thrust .751-1.250 X .0478	6	78979	Spring
3	35586	Retaining Ring	7	78978	Friction Block
4	79017	Screw, Machine Torx Head 5/16-24 - 2	8	78976	Drive Disc
			9	79100	Fixed Axle Assembly
			10	79018	Nut, Lock 5/16-24

WIRING DIAGRAM

ROPER 32" REAR ENGINE RIDING LAWN MOWER ELECTRIC START 8.0 H.P. MODEL NUMBER K8327AR



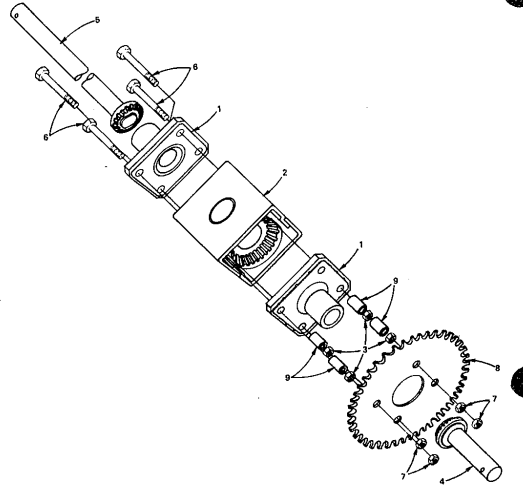
32" REAR ENGINE RIDING LAWN MOWER-MODEL NUMBER K8327BR  
SCHEMATIC DIAGRAM



IGNITION SWITCH	
POSITION	CIRCUIT
OFF	M-G
ON	B-L
START	B-S

REPAIR PARTS

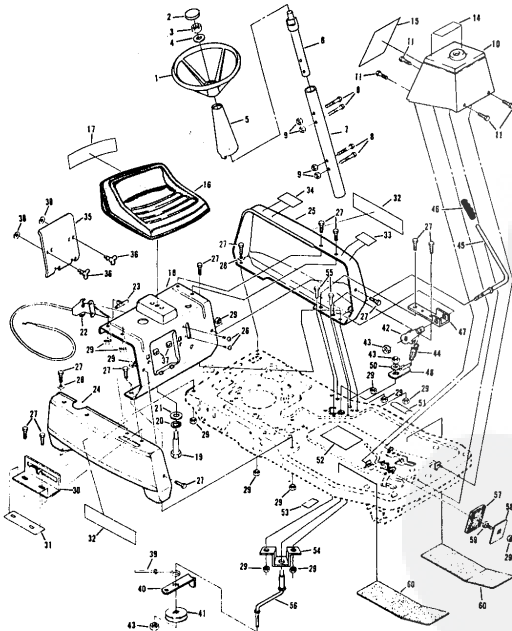
32" REAR ENGINE RIDING LAWN MOWER-MODEL NUMBER K8327BR  
DIFFERENTIAL ASSEMBLY PART NUMBER 2112J



KEY NO.	PART NO.	DESCRIPTION
1	2308J	End Cap - Bearing Assembly
2	2305J	Transfer Gear Case Assembly
3	504P	Hex Nut - 5/16 - 18 UNC
4	2310J	Gear Shaft Assembly - Right
5	2311J	Gear Shaft Assembly - Left
6	338P	Hex Bolt (Plated) 5/16 - 18 x 4 - 1/2
7	575P	Locknut - Gripco 5/16 - 18 UNC (Plated)
8	2312J	Sprocket
9	2313J	Sprocket

REPAIR PARTS

32" REAR ENGINE RIDING LAWN MOWER-MODEL NUMBER K8327BR  
STEERING AND ENCLOSURE GROUP



REPAIR PARTS

32" REAR ENGINE RIDING LAWN MOWER-MODEL NUMBER K8327BR  
STEERING AND ENCLOSURE GROUP

KEY NO.	PART NO.	DESCRIPTION	KEY NO.	PART NO.	DESCRIPTION
1	7456A	Steering Wheel	30	74531	Shifter Gate
2	1114J	Insert Cap	31	74560	Decal - Shift
3	588P	*Jam Nut 1/2 - 20 UNF	32	74601	Decal - Roper
4	1545P	Washer 17/32 x 1 x 16 Ga.	33	74501	Decal - Blade Control
5	72705	Steering Shaft Cover	34	74512	Decal - Engine Area
6	74505	Steering Shaft - Upper	35	72926	Battery Holder
7	74682	Steering Shaft Extension	36	73319	Wing Head Stud
8	3255P	*Bolt, Hex 1/4 - 20 x 1 - 1/4 G. 5	37	23220	Biscuitade
9	588P	Locknut with Washer Insert 1/4 - 20 UNC	38	73321	Split Ring
10	74523	Console Assembly	39	72987	Blade Brake Rod
11	3383P	Screw, Hex Thread Rolling 5/16 - 18 x 1/2	40	74544	Bolt Keeper
14	75122	Decal - Operating Instructions	41	53018	Idler Pulley
15	74558	Decal - Instruction	42	74513	Spring Arm
16	1498J	Seat	43	545P	*Locknut - Gripco 3.8 - 16 UNC
17	75070	Decal - Seat	44	75045	Spring
18	74563	Front Panel	45	74538	Blade Clutch Lever
19	72639	Bolt, Shoulder 1/2 - 13 UNC	46	71246	Grip
20	1002P	*Lockwasher 1/2	47	74539	Handle Bracket
21	1625P	Washer 17/32 x 1 - 3/16 x 12 Ga.	48	75330	Control Arm Assembly
22	1544J	Throttle Control (See Key No. 23)	50	1638P	Washer 13/32 x 7/8 x 6 Ga.
23	61159	Knob - Remote Control	51	74559	Decal - Enter and Exit
24	74534	Side Panel - R.H.	52	74557	Decal - Brake Instruction
25	74532	Side Panel - L.H.	53	376J	Decal - Clutch and Brake
26	5547P	*Screw, Phillips Thuss Hd. Thread Cut 1/4 - 20 x 3/4	54	74542	Idler Support Bracket
27	3386P	Screw, Hex Washer Hd. Machine 5/16 - 18 x 3/4	55	3010P	*Bolt, Hex 5/16 - 18 x 3/4
28	1625P	Washer 17/32 x 1 - 1/8 x 16 Ga.	56	74543	Idler Arm
29	575P	*Locknut - Gripco 5/16 - 18 UNC	57	67265	Foot Pad
			58	67189	Foot Pedal Plate
			59	67613	Bolt, Carriage 5/16 - 18 x 3/4 Special
			60	72384	Floor Board Pad
			...	2086J	Fact and Warranty Tag
			...	2016J	Owner's Manual

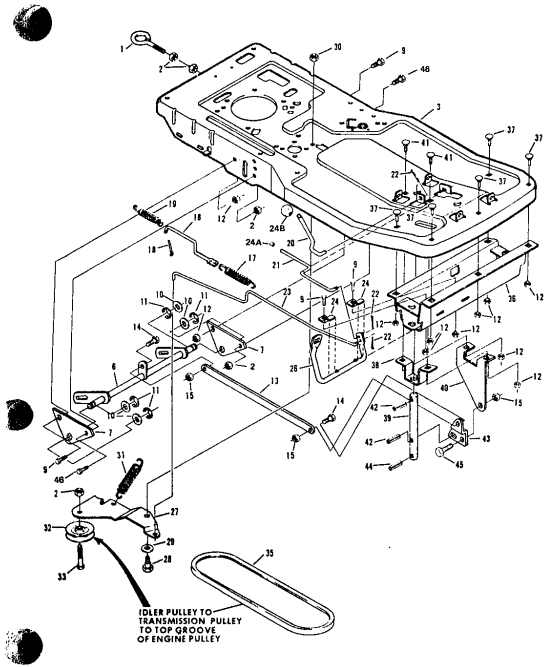
\*STANDARD HARDWARE - PURCHASE LOCALLY



**REPAIR PARTS**

32" REAR ENGINE RIDING LAWN MOWER-MODEL NUMBER K8327BR

CHASSIS



**REPAIR PARTS**

32" REAR ENGINE RIDING LAWN MOWER-MODEL NUMBER K8327BR

CHASSIS

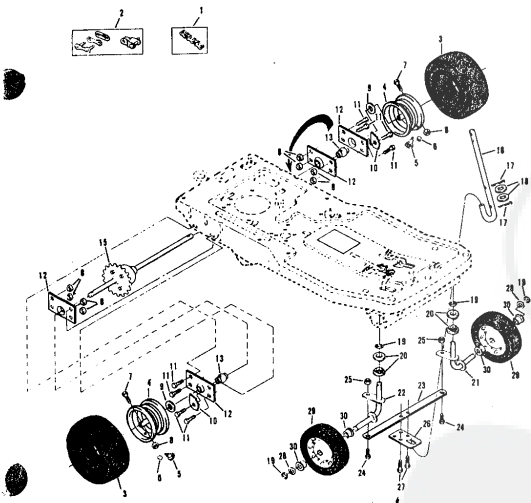
KEY NO.	PART NO.	DESCRIPTION	KEY NO.	PART NO.	DESCRIPTION
1	70530	Tow Hitch - Eyebolt	26	72387	Foot Pad
2	545P	*Locknut, Gripco 3/8 - 16 UNC	27	67174	Motion Filter
3	74144	Chassis	28	59555	Bolt, Shoulder 5/16 - 24 x 1/2
6	75254	Lever Arm Assembly	29	1628P	Washer 17/32 x 1 1/2 x 10 Ga.
7	75255	Stop Bracket	30	580P	Nut, Nylok 5/16 - 24 UNF
9	3010P	*Bolt, Hex 5/16 - 18 x 3/4	31	2044J	Spring - Idler
10	1580P	Washer 21/32 x 1 x 16 Ga.	32	63018	Pulley - Idler
11	5001P	E-Ring	33	6066P	Bolt, Hex with Sems Lockwasher 3/8 - 16 x 1 - 1/2
12	563P	*Locknut, Gripco 5/16 - 18 UNC Gr. B	35	67346	Front Member Assembly
13	74145	Parallel Bar	36	72357	*Bolt, Carriage 5/16 - 18 x 3/4 Gr. 5
14	67394	Bolt, Shoulder 5/16 - 18 x 3/4	37	67P	Lifter Bracket
15	580P	Locknut, Nylok 5/16 - 18 UNC	38	72375	Spring
16	73798	Brake Rod - Rear	39	74516	Housing Lifter
17	64284	Spring	40	74515	Bolt, Carriage 5/16 - 18 x 1 Gr. 5
18	2003P	*Cotter Pin 3/32 x 3/4	41	68P	Driver Lock Pin - Type B
19	62755	Spring	42	74516	Bolt, Carriage 5/16 - 18 x 1 Gr. 5
20	74521	Lifter Handle	43	74522	Driver Lock Pin - Type B
21	72361	Parking Brake Rod	44	73446	Drive Lock Pin Type F
22	63040	Cotter Pin 5/64 x 3/8	45	68475	Bolt, Shoulder 5/16 - 18 x 3/4
23	72393	Motion Clutch and Brake Rod	46	3021P	Bolt, Hex 3/8 - 16 x 3/4
24	72350	Flange Cap			
24A	71823	Knob			
24B	55862	Knob			

\*STANDARD HARDWARE - PURCHASE LOCALLY

**REPAIR PARTS**

32" REAR ENGINE RIDING LAWN MOWER-MODEL NUMBER K8327BR

WHEEL GROUP



**REPAIR PARTS**

32" REAR ENGINE RIDING LAWN MOWER-MODEL NUMBER K8327BR

WHEEL GROUP

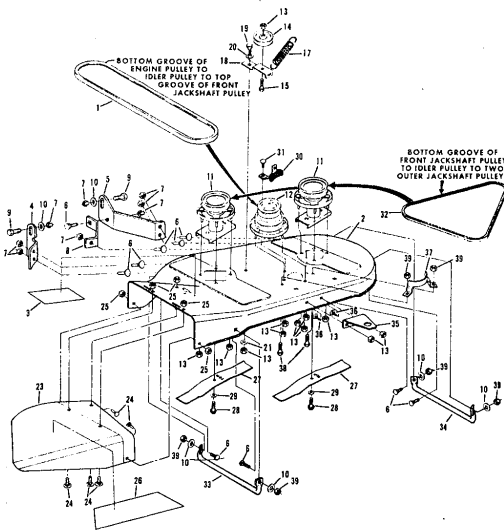
KEY NO.	PART NO.	DESCRIPTION	KEY NO.	PART NO.	DESCRIPTION
1	72818	Chain	16	72547	Steering Shaft
2	80474	Repair Link Kit (Inc. Offset and Connecting Link)	17	2506P	*Cotter Pin 1/8 x 1
3	70302	Tire 13 - 6.00 x 6	18	1628P	Washer 21/32 x 1 - 1/4 x 16 Ga.
4	70301	Rim - Rear	19	5001P	E-Ring
5	65138	Valve Stem	20	71208	Bearing
6	59192	Valve Cap	21	72401	Kingspin - L.H.
7	5385P	*Bolt, Hex 5/16 - 18 x 1 - 5/8 Gr. 5	22	72400	Kingspin - R.H.
8	653P	*Locknut, Gripco 5/16 - 18 UNC Gr. B	24	56855	Bolt, Shoulder - Special 5/16 - 24
9	1617P	Washer 25/32 x 1 - 1/4 x 16 Ga.	25	562P	Locknut, Hex with Washer Insert 5/16 - 24 UNF
10	67703	Chain Adjuster	26	72359	Steering Plate
11	6067P	Bolt, Hex with Sems Lockwasher 5/16 - 18 x 1	27	3390B	Screw, Thread Rolling 5/16 - 18 x 1/2
12	72382	Bearing Cup	28	1630P	Washer 21/32 x 1 x 21 Ga.
13	62345	Bearing	29	67350	Wheel and Tire Assembly 11.00 x 4.00 (Inc. Key No. 30)
15	2112J	Differential Assembly	30	64906	Bearing

\*STANDARD HARDWARE - PURCHASE LOCALLY

**REPAIR PARTS**

32" REAR ENGINE RIDING LAWN MOWER-MODEL NUMBER K8327BR

MOWER



**REPAIR PARTS**

32" REAR ENGINE RIDING LAWN MOWER-MODEL NUMBER K8327BR

MOWER

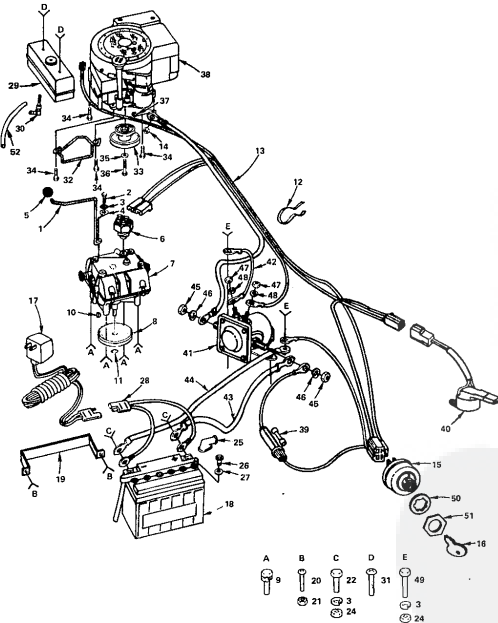
KEY NO.	PART NO.	DESCRIPTION	KEY NO.	PART NO.	DESCRIPTION
1	74212	V-Belt	21	1622P	Washer, 13/32 x 7/8 x 7 Ga.
2	75203	Housing with Silk Screening	22	71596	Discharge Guard
3	75382	Decal - Outer Head	24	70P	*Bolt, Carriage 1/4 - 20 x 3/4 Gr. 5
4	74551	Housing Lifter - R.H.	25	560P	Locknut, Gripco 1/4 - 20 UNC
5	74552	Housing Lifter - L.H.	26	75085	Decal - Discharge Guard
6	69P	*Bolt, Carriage 5/16 - 18 x 3/4 Gr. 5	27	67405	Blade
7	690P	Locknut, Nylonk 5/16 - 18 UNC	28	6060P	Screw, Hex Machine w/Semis Lockwasher
8	74553	Strap	29	1631P	Nylon Patch 3/8 - 24 x 7/8 Gr. 5
9	5690B	Bolt, Shoulder - Special	30	88107	Washer, 13/32 x 2 - 3/8 x 10 Ga.
10	5080B	*Washer 11/32 x 3/4 x 16 Ga.	31	8021P	Brake Assembly
11	71633	Jackshaft Assembly - Driven	32	3021P	*Bolt, Hex 3/8 - 16 x 3/4
12	6925	Jackshaft Assembly - Driver	33	67398	V-Belt
13	545P	Locknut, Gripco 3/8 - 16 UNC	34	74548	Skid - R.H.
14	67400	Idler Pulley	35	74549	Skid - L.H.
15	6066P	Bolt, Hex with Semis Lockwasher 3/8 - 18 x 1 - 1/2	36	74550	Mower Support
16	67401	Spring	37	19P	*Bolt, Carriage 3/8 - 16 x 3/4
17	67399	Idler Arm	38	8052P	Screw, Hex Head with Semis Lockwasher 5/16 - 18 x 3/4
18	62361	Bolt, Shoulder - Special	39	563P	Locknut, Gripco 5/16 - 18 UNC
19	67356	Washer - Special			

\*STANDARD HARDWARE-PURCHASE LOCALLY

**REPAIR PARTS**

32" REAR ENGINE RIDING LAWN MOWER-MODEL NUMBER K8327BR

ELECTRICAL



**REPAIR PARTS**

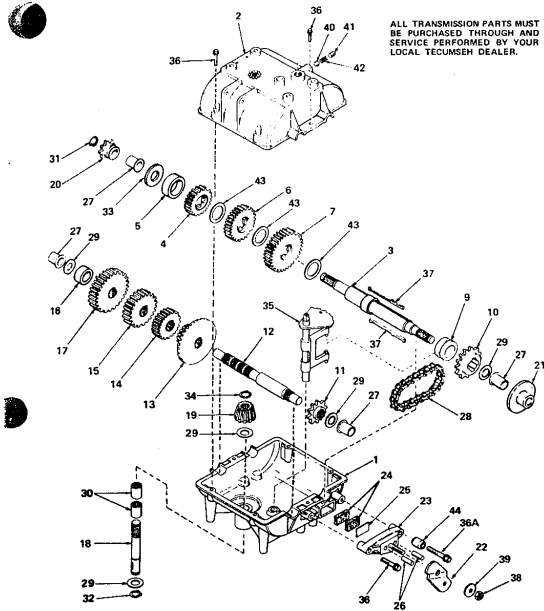
32" REAR ENGINE RIDING LAWN MOWER-MODEL NUMBER K8327BR

ELECTRICAL

KEY NO.	PART NO.	DESCRIPTION	KEY NO.	PART NO.	DESCRIPTION
1	75266	Shift Lever	28	600J	Charger Plug Assembly
2	5386P	Bolt, Hex 1/4 - 28 x 1/2 Gr. 5	29	742J	Fuel Tank
3	1002P	Lockwasher 1/4	30	730J	Fuel Tank Elbow
4	1907P	Washer 9/32 x 3/4 x 16 Ga.	31	3368P	Screw, Trans Hd. Phillips 1/4 - 20 x 5/8
5	6562	Knob	32	677A201	Belt Keeper Assembly
6	74925	Switch - Transmission	33	2188J	Engine Pulley
7	194122A	Transmission Assembly (718A)	34	5606P	Screw, Hex Hd. Thd. Rolling 3/8 - 18 x 1 - 1/2
8	73641	Pulley - Transmission	35	1634P	Washer 3/8 x 1 - 1/4 x 7 Ga.
9	6066P	Bolt w/Semis Lockwasher 5/16 - 18 x 5/8	36	6070P	Screw, Hex Hd. w/Semis Lockwasher 3/8 - 24 x 1 - 3/8 Nylon Patch Gr. 5
10	58349	Key, Woodruff No. 9	37	65053	Key, Woodruff No. 5
11	65302	Retaining Ring	38	191705	Engine, 8 H.P. Briggs & Stratton Type No. 664701
12	43174	Wire Tie	39	6347B	Fuse - 30 Amp.
13	2261J	Wire Harness	40	2053J	Safety Switch
14	63490	Locknut 1/4 - 20	41	7754R	Solenoid
15	4408R	Ignition Switch	42	8021P	Wire, Solenoid Ground
16	7952H	Key	43	665J	Cable Assembly (Battery to Solenoid)
17	70452	Battery Charger	44	2058J	Cable Assembly (Battery to Ground)
18	70451	Battery Pack	45	565P	Nut, Hex 5/16 - 24 UNF
19	7270B	Battery Strap	46	1007P	Lockwasher 5/16
20	3397P	Screw, Trans Hd. Phillips 1/4 - 20 x 1/2	47	543P	Nut, Hex No. 10 - 32
21	988P	Locknut, 1/4 - 20 UNC w/Washer Inset	48	1006P	Lockwasher No. 10
22	3114P	Screw, Hex Head 1/4 - 20 x 1/2 (Furnished w/Battery Pack)	49	3003P	Bolt, Hex 1/4 - 20 x 3/4
24	600P	Hex Nut 1/4 - 20	50	6715B	Lockwasher, Internal Tooth 5/8
25	718J	Terminal Boot	51	67759	Nut 5/8 - 32 UNF
26	2223J	Cap - Battery	52	2316J	Fuel Line
27	2224J	Gasket - Battery			

**REPAIR PARTS**

32" REAR ENGINE RIDING LAWN MOWER-MODEL NUMBER K8327BR  
TRANSMISSION MODEL NUMBER 719A



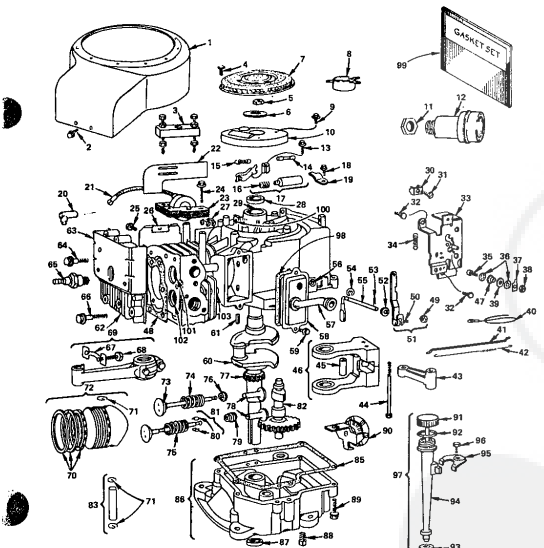
**REPAIR PARTS**

32" REAR ENGINE RIDING LAWN MOWER-MODEL NUMBER K8327BR  
TRANSMISSION MODEL NUMBER 719A

KEY NO.	PART NO.	DESCRIPTION	KEY NO.	PART NO.	DESCRIPTION
1	794212A	Complete Transmission (719A)	25	39007	Plate, Brake pad
2	770061	Case, Transmission	26	78026	Pin, Dowel
3	775070	Shaft, Output and Brake	27	78005	Bushing, Flanged
4	776122	Gear, Spur (20 teeth)	28	76081	Chain, Roller (No. 41 chain, 24 links)
5	785027	Screw, Washer	29	780072	Race, Thrust
6	776123	Gear, Spur (25 teeth)	30	780106	Bearing, Needle
7	776124	Gear, Spur (30 teeth)	31	792072	Ring, Retaining
8	754706	Collar, Shaft	32	780026	Ring, Retaining
9	784706	Sprocket (18 teeth)	33	780109	Washer
10	784803	Sprocket (18 teeth)	34	788040	Ring, Retaining
11	785082	Sprocket (18 teeth)	35	784710	Hex Nut, 5/16"
12	776134	Shaft, Counter	36	782073	Screw, Hex hd, tapite, 1/4" x 2-1/4"
13	775109	Gear, Spur (42 tooth and 15 tooth spur gear)	36A	792085	Screw, Hex hd, tapite, 1/4" x 2-1/4"
14	776126	Gear, Spur (20 teeth)	37	792089A	Key
15	776127	Gear, Spur (25 teeth)	38	782075	Nut, 5/16" 24 lock
16	788071	Sprocket	39	792076	Washer, Flat, 5/16"
17	775129	Gear, Spur (30 teeth)	40	782077	Ball, Steel, 5/16"
18	776135	Shaft, Input	41	792078	Screw, Set, 5/16" 10 x 3/8
19	776133	Sprocket, Input	42	792079	Spring
20	786047	Sprocket (18 teeth)	43	780106	Washer, Thrust
21	795004	Link, Brake	44	786007	Sprocket
22	795005	Lever, Brake			
23	790005	Holder, Brake pad			
24	790006	Pad, Brake			

**REPAIR PARTS**

32" REAR ENGINE RIDING LAWN MOWER-MODEL NUMBER K8327BR  
BRIGGS & STRATTON 8 H.P. ENGINE-MODEL NO. 191705, TYPE NO. 5647-01  
CYLINDER, CRANKSHAFT AND ENGINE BASE GROUP



**REPAIR PARTS**

32" REAR ENGINE RIDING LAWN MOWER-MODEL NUMBER K8327BR  
BRIGGS & STRATTON 8 H.P. ENGINE-MODEL NO. 191705, TYPE NO. 5647-01  
CYLINDER, CRANKSHAFT AND ENGINE BASE GROUP

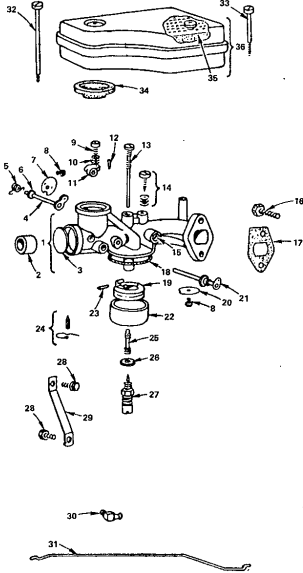
KEY NO.	PART NO.	DESCRIPTION	KEY NO.	PART NO.	DESCRIPTION
1	391379	Housing - Blower	61	61760	Key - Flywheel
2	93188	Screw - Set	62	21286	Cylinder Head
3	18165	Pin - Flywheel	63	222536	Cover - Cylinder Head
4	93905	Screw - Set	64	63211	Screw - 2, 21/32"
5	92284	Nut - Flywheel	65	282918	Spark Plug Resistor
6	220855	Washer - Spring	67	63222	Screw - 3"
7	222502	Screws - Flush Retaining	67	222114	Lock - Connecting Rod Screw
8	222501	Cup - Screen Mfg	68	82559	Screw - Connecting Rod
9	93705	Screw - Set	69	390402	Rod Ass'y - Connecting (Inc. Key No's. 67 & 68)
10	222117	Cover - Breaker Point	70	391699	RING SET - PISTON - Std.
11	91242	Locknut - Muffler	70	391699	.030 Oversize
12	393010	Muffler - Exhaust	71	391670	.030 Oversize
13	93381	Screw - Breaker Arm	72	391673	.030 Oversize
14	65704	Plunger - Breaker Point	72	391674	.030 Oversize
15	26018	Spring - Breaker Arm	73	68546	.030 Oversize
16	260374	Spring - Connector	73	391676	.030 Oversize
17	294029	Breaker Point & Condenser (Inc. Key No's. 15 & 16)	74	69506	Intake Valve
18	93042	Screw - Set	75	26228	Spring - Intake Valve
19	226477	Clamp - Condenser	76	21526	Retainer - Intake Valve
20	65538	Elbow - Spark Plug	77	26195	Gear - Timing
21	221798	Terminal - Ignition Cable	78	606022	Tapset - Valve
22	221760	Guide - Air	79	262260	Rotocoil - Exhaust Valve
23	298968	Armature Ass'y.	80	93020	Retainer - Exhaust Valve
24	93391	Screw - Armature	81	390419	Exhaust Valve (Inc. Key No. 80)
25	93163	Screw - Set	82	211689	Gear - Cam
26	222836	Shaft - Cylinder	83	295640	Pin Ass'y - Piston (Inc. Key No. 71)
27	221907	Clip - Wire	85	27550	Pin Ass'y - Piston (.005 Oversize)
28	294606	Oil Seal	85	27750	Gasket - Crankcase Cover - 1/64" thick
29	392876	Cylinder Assembly	86	27877	Gasket - Crankcase Cover - .006" thick
30	221535	Clamp - Casing	86	29616	Oil Sump (Inc. Key No's. 85 and 87)
31	93496	Screw - Set	87	298423	Oil Seal
32	93572	Screw	88	91084	Plug - Oil Drain
33	390662	Plate - Governor Control	89	93585	Screw - Set
34	291306	Spring - Governor	90	392119	Oil Strainer - Governor
35	91920	Screw - Terminal	91	391840	Cap & Dipstick - Oil Filler
36	92761	Lockwasher	92	27020	Seal - Filler Cap
37	93722	Terminal - Speed	93	68828	Seal - Filler Tube
38	90576	Hex Nut No. 8, 32	94	261133	Tube - Oil Filler
39	66068	Washer - Insulating	95	222402	Clamp - Oil Filler Tube
40	299500	Wire - Ground	96	93804	Screw - Clamp Mfg
41	359971	Link - Governor	97	392065	Filter Group - Oil (Inc. Key No's. 91, 92, 93, 94, 95 & 96)
42	260584	Spring - Governor Link	98	27802	Gasket - Valve Cover
43	212259	Link - Counterweight	99	299577	Gasket Set
44	93874	Screw - Counterweight	100	22513	Bushing - Plunger
45	286009	Pin - Counterweight	101	211681	Seal - Intake Valve (Std.)
46	390172	Counterweight Ass'y.	102	211681	Seal - Exhaust Valve (Std.)
47	85554	Collar - Insulating	103	236665	Guide - Exhaust Valve
48	279430	Gasket - Cylinder Head			
49	231082	Hex Nut No. 10 - 24			
50	92613	Ball - Governor Lever			
51	391733	Lever Ass'y - Governor (Inc. Key No's. 49 & 50)			
52	222450	Washer - Governor Lever			
53	83308	Otter - Hair Pin			
54	93207	Retainer - O-Ring			
55	231058	Crank - Governor			
56	231055	Bushing - Governor Crank			
57	280026	Breather Tube			
58	391405	Breather Ass'y.			
59	93536	Set Screw			
60	391577	Crankshaft			

ALL ENGINE PARTS MUST BE PURCHASED THROUGH AND SERVICE PERFORMED BY YOUR LOCAL BRIGGS AND STRATTON DEALER.

\*INCLUDED IN GASKET SET 299577  
SPARK ARRESTER ASSEMBLY (OPTIONAL)  
391913 Spark Arrester  
222537 Deflector  
93705 Screw (H required)

**REPAIR PARTS**

32" REAR ENGINE RIDING LAWN MOWER-MODEL NUMBER K8327BR  
BRIGGS & STRATTON 8 H.P. ENGINE-MODEL NO. 191705, TYPE NO. 5647-01  
CARBURETOR NUMBER 390811



ALL ENGINE PARTS MUST BE PURCHASED THROUGH AND SERVICE PERFORMED BY YOUR LOCAL BRIGGS AND STRATTON DEALER.

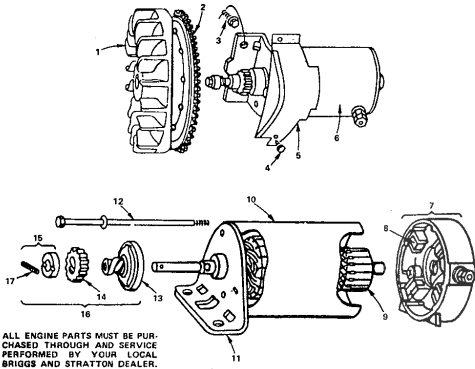
**REPAIR PARTS**

32" REAR ENGINE RIDING LAWN MOWER-MODEL NUMBER K8327BR  
BRIGGS & STRATTON 8 H.P. ENGINE-MODEL NO. 191705, TYPE NO. 5647-01  
CARBURETOR NUMBER 390811

KEY NO.	PART NO.	DESCRIPTION	KEY NO.	PART NO.	DESCRIPTION
1	209851	Body Ass'y. (Includes Key No. 3)	21	391512	Shaft & Lever - Throttle
2	211852	Venturi - Carburetor	22	221956	Bowl - Float
3	221997	*Plug - Welch	23	230806	*Pin - Float Hinge
4	390684	Shaft and Lever - Choke	24	390606	*Valve - Fuel Inlet
5	261116	Spring - Choke Return	25	230332	*Screw - Nozzle
6	270382	Washer - Choke Shaft	26	220214	*Washer - Float Bowl
7	220310	Valve - Choke	27	391235	*Valve - Needle
8	93499	Screw - Sem	28	93572	Screw
9	91920	Screw - Fil. Hd. Mach. No. 8 - 32 x 5/8	29	220237	Bracket - Carburetor
10	26157	Spring - Throttle Adjustment	30	67219	Connector - Fuel Pipe
11	211712	Stop - Throttle	31	261117	Link - Choke
12	93043	Pin - Throttle Stop	32	93323	Screw - Air Cleaner
13	299740	*Nozzle - Carburetor	33	93822	Screw - Air Cleaner
14	292691	*Valve Ass'y. - Carb. Idle	34	270539	Gasket - Air Cleaner
15	23108	Bushing - Throttle Shaft	35	270528	Element - Air Cleaner
16	93297	Screw - Carburetor Mtg.	36	391299	Air Cleaner Ass'y. (Inc. Key No. 35)
17	270824	*Gasket - Carburetor Mtg.	299852	299852	Carburetor Overhaul Kit (Inc. Parts Marked *)
18	260511	Float - Carburetor	390811	390811	Carburetor Assembly
19	299707	Valve - Throttle			
20	221966	Valve - Throttle			

**REPAIR PARTS**

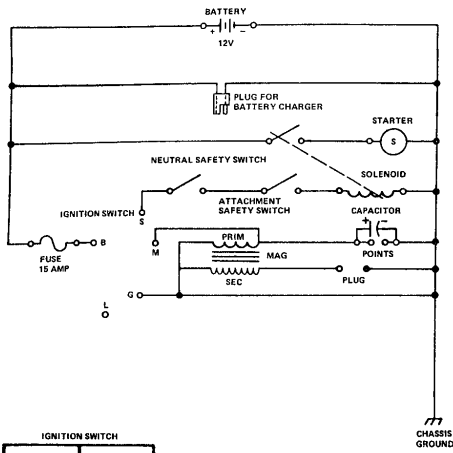
32" REAR ENGINE RIDING LAWN MOWER-MODEL NUMBER K8327BR  
BRIGGS & STRATTON 8 H.P. ENGINE-MODEL NO. 191705, TYPE NO. 5647-01  
FLYWHEEL AND STARTER MOTOR GROUP



ALL ENGINE PARTS MUST BE PURCHASED THROUGH AND SERVICE PERFORMED BY YOUR LOCAL BRIGGS AND STRATTON DEALER.

KEY NO.	PART NO.	DESCRIPTION
1	392034	Flywheel and Ring Gear Ass'y.
2	392134	Gear - Ring
3	93523	Screw - Sem
4	93410	Screw - Sem
5	390233	Cover & Shield - Starter
6	392749	Motor, Starter (Inc. Key No's. 7 thru 17)
7	392646	End Cap Ass'y., Commutator (Inc. Key No. 8)
8	391706	Brush Ass'y.
9	392747	Armature Ass'y.
10	392744	Housing Ass'y.
11	392061	End Cap Ass'y., Drive
12	391706	Thru Bolt Ass'y.
13	391195	Clutch Ass'y.
14	280104	Gear
15	391462	Retainer & Pin (Inc. Key No. 17)
16	391461	Drive Ass'y. (Inc. Key No's. 13, 14 & 15)
17	93754	Roll Pin

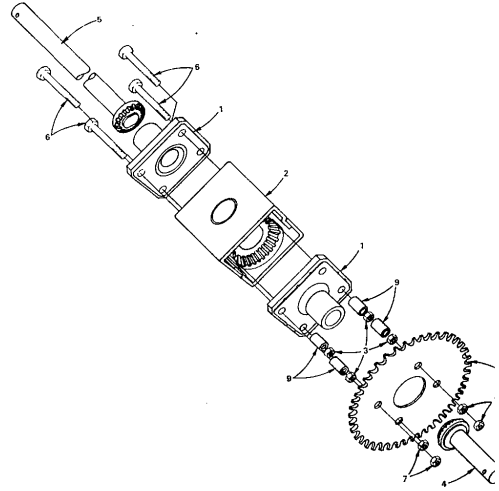
32" REAR ENGINE RIDING LAWN MOWER-MODEL NUMBER K8327CR  
SCHEMATIC DIAGRAM



IGNITION SWITCH	
POSITION	CIRCUIT
OFF	M-G
ON	B-L
START	B-S

**REPAIR PARTS**

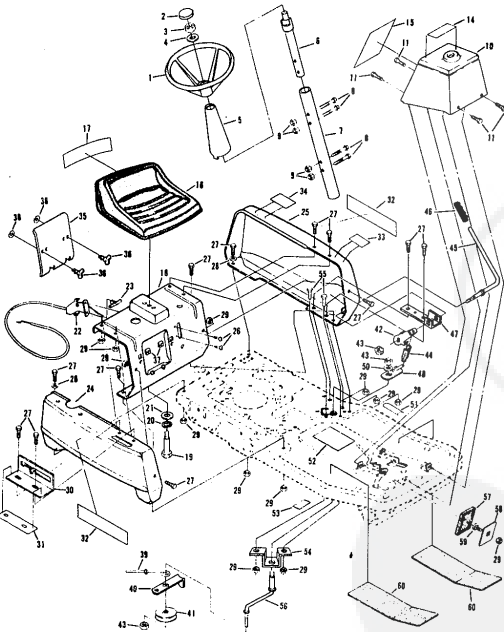
32" REAR ENGINE RIDING LAWN MOWER-MODEL NUMBER K8327CR  
DIFFERENTIAL ASSEMBLY PART NUMBER 2112J



KEY NO.	PART NO.	DESCRIPTION
1	2308J	End Cap - Bearing Assembly
2	2308J	Transfer Gear Case Assembly
3	504P	Hex Nut - 5/16 - 18 UNC
4	2310J	Gear Shaft Assembly - Right
5	2311J	Gear Shaft Assembly - Left
6	3280P	Hex Bolt (Plated) 5/16 - 18 x 4 - 1/2
7	575P	Locknut - Gripco 5/16 - 18 UNC (Plated)
8	2312J	Sprocket
9	2313J	Spacer - Sprocket

**REPAIR PARTS**

32" REAR ENGINE RIDING LAWN MOWER-MODEL NUMBER K8327CR  
STEERING AND ENCLOSURE GROUP



**REPAIR PARTS**

32" REAR ENGINE RIDING LAWN MOWER-MODEL NUMBER K8327CR  
STEERING AND ENCLOSURE GROUP

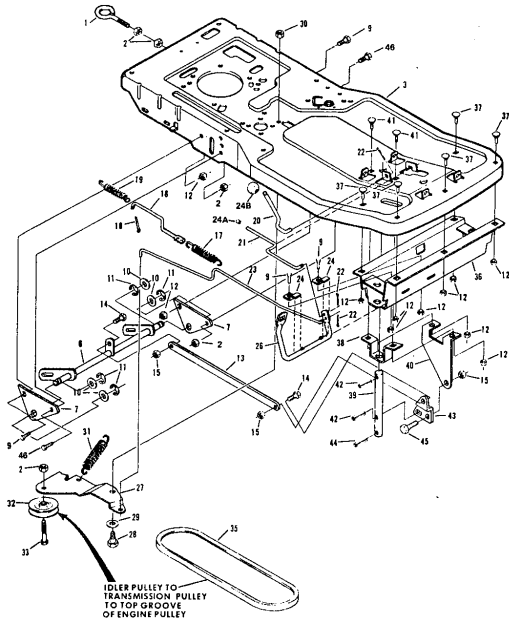
KEY NO.	PART NO.	DESCRIPTION	KEY NO.	PART NO.	DESCRIPTION
1	74564	Steering Wheel	30	74531	Shifter Gate
2	1114J	Insert Cap	31	74580	Decal - Shift
3	558P	*Jam Nut 1/2 - 20 UNF	32	74501	Decal - Roper
4	1545P	Washer 17/32 x 1 x 16 Ga.	33	74581	Decal - Blade Control
5	7270S	Steering Shaft Cover	34	74512	Decal - Engine Area
6	74566	Steering Shaft - Upper	35	7292B	Battery Holder
7	74562	Steering Shaft Extension	36	72319	Wing Head Stud
8	3255P	*Bolt, Hex 1/4 - 20 x 1 - 3/4 Gr. 5	37	73320	Recusacle
9	585P	Locknut with Washer Insert 1/4 - 20 UNC	38	73321	Suit Ring
10	74522	Console Assembly	39	72987	Blade Brake Rod
11	3390P	Screw, Hex Thread Rolling 5/16 - 18 x 1/2	40	74544	Belt Keeper
14	75122	Decal - Operating Instructions	41	52018	Idler Pulley
15	74558	Decal - Instruction	42	74613	Spring Arm
16	1405J	Seat	44	75045	Locknut - Gripco 3/8 - 16 UNC
17	75070	Decal - Seat	45	74538	Blade Clutch Lever
18	74963	Front Panel	46	71248	Grip
19	72638	Bolt, Shoulder 1/2 - 13 UNC (Inc. Key No. 23)	47	74539	Handle Bracket
20	1000P	*Lockwasher 1/2	48	75339	Control Arm Assembly
21	1625P	Washer 17/32 x 1 - 3/16 x 12 Ga.	50	1636P	Washer 13/32 x 7/8 x 6 Ga.
22	1544J	Throttle Control	51	74559	Decal - Enter and Exit
23	61159	*Screw, Phillips Truss Hd. Thread Cut 1/4 - 20 x 3/4	52	74557	Decal - Brake Instruction
24	74534	Side Panel - R.H.	53	376J	Decal - Clutch and Brake
25	74522	Side Panel - L.H.	54	74542	Idler Support Bracket
26	5547P	*Screw, Phillips Truss Hd. Thread Cut 1/4 - 20 x 3/4	55	3010P	*Bolt, Hex 5/16 - 18 x 3/4
27	3386P	Screw, Hex Washer Hd. Machine 5/16 - 18 x 3/4	56	74643	Idler Arm
28	1626P	Washer 17/32 x 1 - 1/8 x 16 Ga.	57	6730S	Foot Pad
29	575P	*Locknut - Gripco 5/16 - 18 UNC	58	67189	Foot Pedal Plate
			59	67613	Bolt, Carriage 5/16 - 18 x 3/4 Special
			60	72384	Floor Board Pad
				2079J	Owners Manual

\*STANDARD HARDWARE-PURCHASE LOCAL\*

**REPAIR PARTS**

32" REAR ENGINE RIDING LAWN MOWER-MODEL NUMBER K8327CR

**CHASSIS**



**REPAIR PARTS**

32" REAR ENGINE RIDING LAWN MOWER-MODEL NUMBER K8327CR

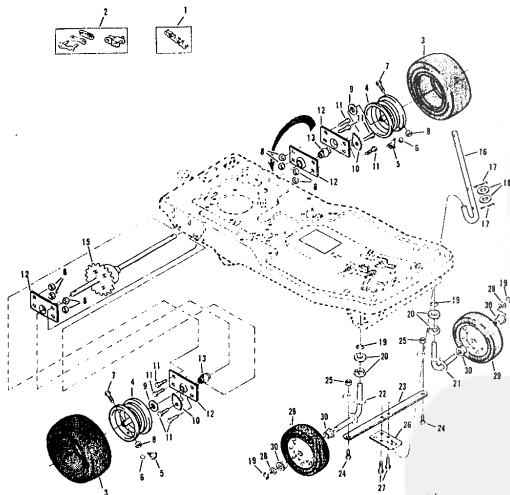
**CHASSIS**

KEY NO.	PART NO.	DESCRIPTION	KEY NO.	PART NO.	DESCRIPTION
1	70630	Tow Hitch - Eyebolt	28	72387	Foot Pedal
2	5469	*Locknut, Gripco 5/16 - 18 UNC	27	67114	Motion Idler
3	74514	Chassis	28	58855	Bolt, Shoulder 5/16 - 24 x 1/2
6	75284	Lever Arm Assembly	29	1828P	Washer 13/32 x 1 - 1/2 x 10 Ga.
7	75285	Sole Bracket	30	586P	Nut, Nylon 5/16 - 24 UNF
9	3010P	*Bolt, Hex 5/16 - 18 x 3/4	31	2044J	Spring - Idler
10	1580P	Washer 21/32 x 1 x 18 Ga.	32	53018	Pulley - Idler
11	5001P	E-Ring	33	6066P	Bolt, Hex with Sems Lockwasher 3/8 - 18 x 1 - 1/2
12	553P	*Locknut, Gripco 5/16 - 18 UNC Gr. B	35	67348	V-Belt
13	74545	Parallel Bar	36	72357	Front Member Assembly
14	67394	Bolt, Shoulder 5/16 - 18 x 3/4	37	67P	Bolt, Carriage 5/16 - 18 x 3/4 Gr. 5
15	580P	Locknut, Nylon 5/16 - 18 UNC	38	72375	Lifter Bracket
16	73798	Brake Rod - Rear	39	74516	Housing Lifter
17	64294	Spring	40	74515	Ballcrank Bracket
18	2503P	*Cotter Pin 3/32 x 3/4	41	68P	Bolt, Carriage 5/16 - 18 x 1 Gr. 5
19	82755	Spring	42	74576	Drive Lock Pin - Type B
20	74527	Lifter Handle	43	74522	Ballcrank
21	72361	Parking Brake Rod	44	24648	Drive Lock Pin Type F
22	53840	Cotter Pin 5/64 x 3/4	45	68475	Bolt, Shoulder 5/16 - 18 x 3/4
23	72383	Motion Clutch and Brake Rod	46	5021P	Bolt, Hex 5/16 - 18 x 3/4
24	72360	Foot Pedal Clamp			*STANDARD HARDWARE-PURCHASE LOCALLY
24A	71673	Plunger Cap			
24B	55862	Knob			

**REPAIR PARTS**

32" REAR ENGINE RIDING LAWN MOWER-MODEL NUMBER K8327CR

**WHEEL GROUP**



**REPAIR PARTS**

32" REAR ENGINE RIDING LAWN MOWER-MODEL NUMBER K8327CR

**WHEEL GROUP**

KEY NO.	PART NO.	DESCRIPTION	KEY NO.	PART NO.	DESCRIPTION
1	72818	Chain	18	72547	Steering Shaft
2	60474	Repair Link Kit (Inc. Offset and Connecting Links)	17	2506P	*Cotter Pin 1/8 x 1
3	70302	Tire 13 - 5.00 x 6	16	1623P	Washer 21/32 x 1 - 1/4 x 16 Ga.
4	70301	Rim - Rear	19	6001P	E-Ring
5	65129	Valve Stem	20	71208	Bearing
6	58132	Valve Cap	21	72401	Kingpin - L.H.
7	3395P	*Bolt, Hex 5/16 - 18 x 1 - 5/8 Gr. 5	22	72400	Kingpin - R.H.
8	553P	*Locknut, Gripco 5/16 - 18 UNC Gr. B	23	72358	Tie Bar
9	1617P	Washer 25/32 x 1 - 1/4 x 16 Ga.	24	58855	Bolt, Shoulder - Special 5/16 - 24
10	67703	Chain Adjuster	25	582P	Locknut, Hex with Washer Insert 5/16 - 24 UNF
11	6067P	*Bolt, Hex with Sems Lockwasher 5/16 - 18 x 1	26	72359	Steering Plate
12	72382	Bearing Cup	27	3393P	Screw, Thread Rolling 5/16 - 18 x 1/2
13	62348	Bearing	28	1830P	Washer 21/32 x 1 x 21 Ga.
15	2112J	Differential Assembly	29	67350	Wheel and Tire Assembly 11.00 x 4.00 (Inc. Key No. 30)
			30	64906	Bearing

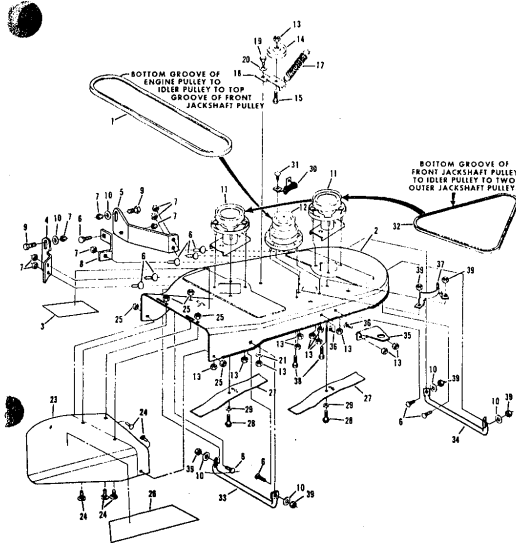
\*STANDARD HARDWARE-PURCHASE LOCALLY



### REPAIR PARTS

32" REAR ENGINE RIDING LAWN MOWER—MODEL NUMBER K8327CR

MOWER



### REPAIR PARTS

32" REAR ENGINE RIDING LAWN MOWER—MODEL NUMBER K8327CR

MOWER

KEY NO.	PART NO.	DESCRIPTION	KEY NO.	PART NO.	DESCRIPTION
1	74212	V Belt	21	1622P	Washer, 13/32 x 7/8 x 7 Ga.
2	78293	Housing with Silk Screening	23	71596	Discharge Guard
3	76382	Decal - Cutter Head	24	70P	*Bolt, Carriage 1/4 - 20 x 3/4 Gr. 5
4	79521	Housing Lifter - R.H.	26	5699P	Locknut, Gripco 1/4 - 20 UNC
5	74552	Housing Lifter - L.H.	28	75485	Decal - Discharge Guard
6	67P	*Bolt, Carriage 5/16 - 18 x 3/4 Gr. 5	27	67405	Blank
7	588P	Locknut, Nylon 5/16 - 18 UNC	28	6062P	Screw, Hex Machine w/Sems Lockwasher
8	74553	Strip	29	1631P	Nylon Patch 3/8 - 24 x 7/8 Gr. 5
9	5880B	Bolt, Shoulder - Special	30	88107	Washer 1/2 x 2 - 3/8 x 10 Ga.
10	50806	Washer 1 1/2 x 3/4 x 16 Ga.	31	5021P	Brake Assembly
11	71033	Jackshaft Assembly - Driver	32	67398	*Bolt, Hex 3/8 - 16 x 3/4
12	69522	Jackshaft Assembly - Driver	33	74548	V-Bolt
13	545P	Locknut, Gripco 3/8 - 16 UNC	34	74548	Skid - R.H.
14	67400	Idler Pulley	35	74550	Mower Support
15	6066P	Bolt, Hex with Sems Lockwasher 3/8 - 16 x 1 - 1/2	36	189P	*Bolt, Carriage 3/8 - 16 x 3/4
17	67401	Spring	37	67404	Bolt Snubber
18	67299	Idler Arm	38	6052P	Screw, Hex Head with Sems Lockwasher 5/16 - 18 x 3/4
19	62361	Bolt, Shoulder - Special	39	553P	Locknut, Gripco 5/16 - 18 UNC
20	67356	Washer - Special			

### REPAIR PARTS

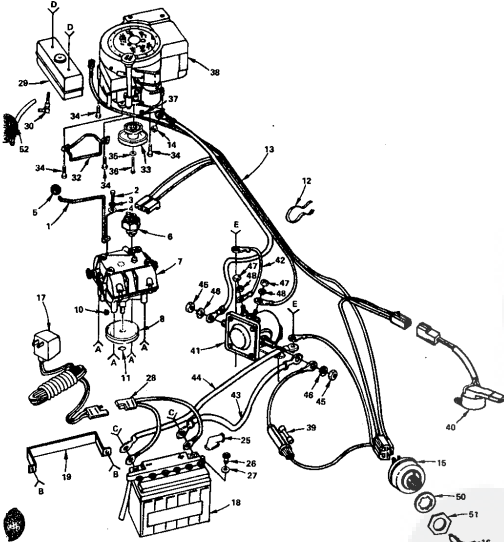
32" REAR ENGINE RIDING LAWN MOWER—MODEL NUMBER K8327CR

ELECTRICAL

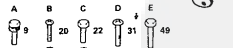
### REPAIR PARTS

32" REAR ENGINE RIDING LAWN MOWER—MODEL NUMBER K8327CR

ELECTRICAL

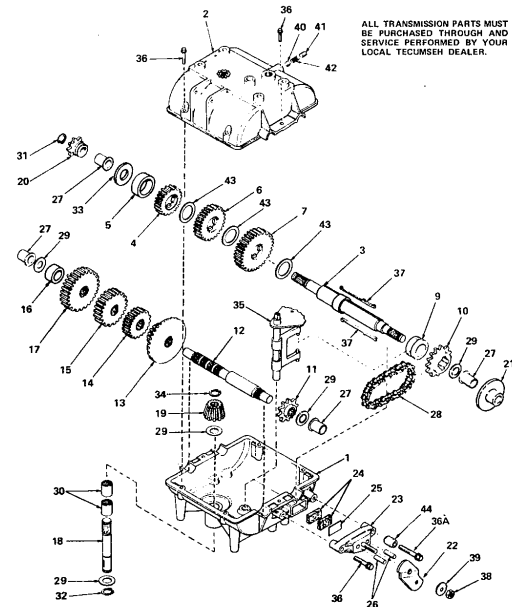


KEY NO.	PART NO.	DESCRIPTION	KEY NO.	PART NO.	DESCRIPTION
1	75266	Shift Lever	28	600J	Charger Plug Assembly
2	3389P	Bolt, Hex 1/4 - 28 x 1/2 Gr. 5	29	742J	Fuel Tank
3	1600P	Lockwasher 1/4	30	739J	Fuel Tank Elbow
4	1507P	Washer 3/32 x 3/4 x 16 Ga.	31	3358P	Screw, Truss Hd, Phillips 1/4 - 20 x 5/8
5	55882	Knob	32	677A201	Belt Keeper Assembly
6	74525	Switch - Transmission	33	2186J	Engine Pulley
7	794212A	Transmission Assembly (719A)	34	6608P	Screw, Hex Hd, Twd, Rolling 3/8 - 16 x 1 - 1/2
8	72541	Pulley - Transmission	35	1634P	Washer 3/8 x 1 - 1/4 x 7 Ga.
9	6069P	Bolt w/Sems Lockwasher 5/16 - 18 x 5/8	36	6070P	Screw, Hex Hd, w/Sems Lockwasher 3/8 - 24 x 1 - 3/8 Nylon Patch Gr. 5
10	58349	Key, Woodruff No. 9	37	65053	Key, Woodruff No. 6
11	65302	Retaining Ring	38	191705	Engine, 8 H.P. Briggs & Stratton Type No. 6547-01
12	43174	Wax Tie	39	6347R	Fuse - 30 Amp.
13	2081J	Wire Harness	40	2083J	Safety Switch
14	53496	Locknut 1/4 - 20	41	7754R	Solenoid
15	4406H	Ignition Switch	42	8027R	Wire, Solenoid Ground
16	7552H	Key	43	686J	Cable Assembly (Battery to Solenoid)
17	7193P	Battery Charger	44	2086J	Cable Assembly (Battery to Ground)
18	70451	Battery Pack	45	1007P	Nut, Hex 5/16 - 24 UNF
19	72708	Battery Strap	46	686P	Lockwasher 5/16
20	3337P	Screw, Truss Hd, Phillips 1/4 - 20 x 1/2	47	549P	Nut, Hex No. 10 - 32
21	588P	Locknut 1/4 - 20 UNC w/Washer Inset	48	1006P	Lockwasher No. 10
22	3114P	Screw, Hex Head 1/4 - 20 x 1/2 (Furnished w/Battery Pack)	49	3003P	Bolt, Hex 1/4 - 20 x 3/4
23	503P	Hex Nut 1/4 - 20	50	67758	Lockwasher, Internal Tooth 5/8
24	716J	Terminal Boot	51	67759	Nut 5/8 - 32 UNF
25	2233J	Cap - Battery	52	2316J	Fuel Line
26	2224J	Gasket - Battery			



### REPAIR PARTS

32" REAR ENGINE RIDING LAWN MOWER-MODEL NUMBER K8327CR  
TRANSMISSION MODEL NUMBER 719A



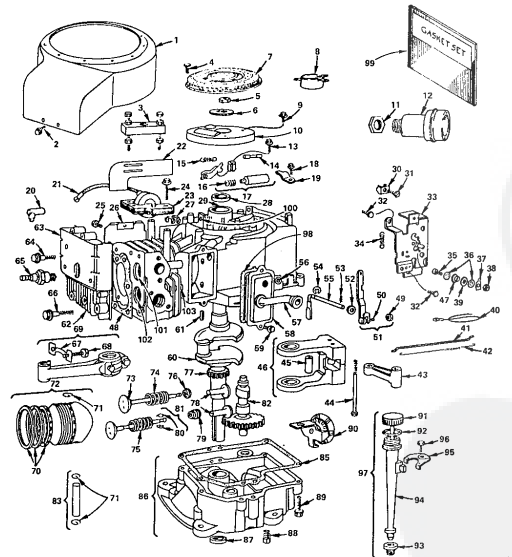
### REPAIR PARTS

32" REAR ENGINE RIDING LAWN MOWER-MODEL NUMBER K8327CR  
TRANSMISSION MODEL NUMBER 719A

KEY NO.	PART NO.	DESCRIPTION	KEY NO.	PART NO.	DESCRIPTION
1	794212A	Complete Transmission (719A)	25	790007	Plate, Brake pad
2	770081	Case, Transmission	26	780026	Pin, Dowel
3	772070	Cover, Transmission	27	780105	Bushing, Flanged
4	778162	Shaft, Output and Brake	28	780081	Chain, Roller (No. 41 chain, 24 links)
5	778121	Gear, Spur (25 teeth)	29	790072	Race, Thrust
6	786072	Spacer	30	780106	Bearing, Needle
7	778123	Gear, Spur (25 teeth)	31	792077	Ring, Retaining
8	778124	Gear, Spur (30 teeth)	32	792035	Ring, Retaining
9	784266	Collar, Shift	33	780109	Washer
10	786083	Sprocket (18 teeth)	34	788040	Ring, Retaining
11	786082	Sprocket (9 teeth)	35	784270	Rod & Fork Asy., Shift
12	778154	Shaft, Counter	36	792075	Screw, Hex hd. 1/40th, 1/4" - 20 x 1 - 1/4
13	778109	Gear, Bevel (42 tooth and 15 tooth spur gear)	36A	792085	Screw, Hex hd. 1/40th, 1/4" - 20 x 2 - 1/4
14	778126	Gear, Spur (20 teeth)	37	792089A	Key
15	778127	Gear, Spur (25 teeth)	38	792035	Nut, 5/16" - 24 lock
16	786071	Spacer	39	792076	Washer, Flat, 5/16"
17	778129	Gear, Spur (30 teeth)	40	792077	Ball, Steel, 5/16"
18	778135	Shaft, Input	41	792078	Screw, Set, 3/8" - 16 x 3/8
19	778113	Bevel pinion, input	42	792079	Spring
20	786047	Sprocket (8 teeth)	43	780108	Washer, Thrust
21	790003	Brake	44	780067	Spacer
22	790004	Lever, Brake			
23	790005	Holster, Brake pad			
24	790006	Pad, Brake			

### REPAIR PARTS

32" REAR ENGINE RIDING LAWN MOWER-MODEL NUMBER K8327CR  
BRIGGS & STRATTON 8 H.P. ENGINE-MODEL NO. 191705, TYPE NO. 5647-01  
CYLINDER, CRANKSHAFT AND ENGINE BASE GROUP



### REPAIR PARTS

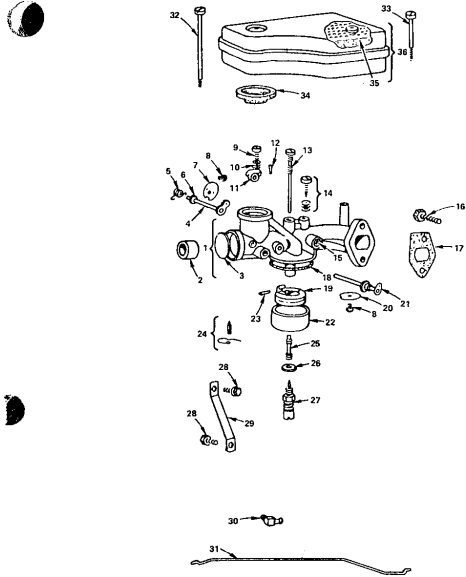
32" REAR ENGINE RIDING LAWN MOWER-MODEL NUMBER K8327CR  
BRIGGS & STRATTON 8 H.P. ENGINE-MODEL NO. 191705, TYPE NO. 5647-01  
CYLINDER, CRANKSHAFT AND ENGINE BASE GROUP

KEY NO.	PART NO.	DESCRIPTION	KEY NO.	PART NO.	DESCRIPTION
1	391379	Housing - Blower	61	61750	Key - Flywheel
2	93159	Screw - Sam	62	212286	Cylinder Head
3	19165	Puller - Flywheel	63	222636	Cover - Cylinder Head
4	83805	Screw - Sam	64	92211	Screw - 2" 21/32"
5	92284	Nut - Flywheel	65	293918	Spark Plug Resistor
6	220655	Washer - Spring	66	92723	Screw - 3"
7	222562	Screen - Flush Rotating	67	222114	Lock - Connecting Rod Screw
8	222581	Cup - Screen Mtg	68	90553	Rod - Connecting Rod
9	93702	Locknut - Muffler	69	904602	Rod Asy., Connecting (Inc. Key No's 67 & 68)
10	222117	Cover - Breaker Point	70	391669	RING SET - PISTON, Std.
11	91242	Locknut - Muffler	391670		.010 Oversize
12	933010	Muffler - Exhaust	391671		.020 Oversize
13	83381	Screw - Breaker Arm	391672		.030 Oversize
14	85704	Plunger - Breaker Point	71	68546	Lock - Piston Pin
15	26016	Spring - Breaker Arm	72	391613	Piston Asy., Inc. Key No's 70 & 71
16	260374	Spring - Connector	391674		.010 Oversize
17	294628	Breaker Points & Condenser (Inc. Key No's 15 & 16)	391675		.020 Oversize
18	93042	Screw - Sam	391676		.030 Oversize
19	220477	Clamp - Condenser	73	261055	Intake Valve
20	69538	Elbow - Spark Plug	74	69596	Spring - Intake Valve
21	221798	Terminal - Ignition Cable	75	26828	Spring - Exhaust Valve
22	221760	Guide - Asy.	76	221895	Retainer - Intake Valve
23	298968	Armature Asy.	77	261195	Gear - Timing
24	93381	Screw - Armature	78	260933	Tapet - Valve
25	93163	Screw - Sam	79	292260	Rotocoll - Exhaust Valve
26	222830	Shield - Cylinder	80	90330	Retainer - Exhaust Valve
27	221907	Clip - Wire	81	393419	Exhaust Valve (Inc. Key No. 80)
28	294606	Oil Seal	82	211689	Gear - Cam
29	393675	Cylinder Assembly	83	295640	Pin Asy., Piston (Inc. 2 each Key No. 71)
30	221535	Clamp - Casing	85	295641	Pin Asy., Piston, .005 Oversize
31	93496	Screw - Sam	86	27750	*Gasket - Crankcase Cover - 1/64" thick
32	82572	Plate - Governor Control	27876		Gasket - Crankcase Cover - .006" thick
33	390662	Spring - Governor	22877		Gasket - Crankcase Cover - .008" thick
34	261506	Screw - Terminal	86	298616	Oil Sump (Inc. Key No's 85 and 87)
35	91920	Screw - Terminal	87	298423	Oil Seal
36	92791	Lockwasher	88	01084	Plug - Oil Drain
37	93722	Terminal - Spade	89	93385	Screw - Sam
38	90576	Hex Nut No. 8 - 32	90	932718	Oil Slinger - Governor
39	96068	Washer - Insulating	91	391840	Cap & Dipstick - Oil Filter
40	299500	Wire - Ground	92	210920	Seal - Filler Cap
41	260871	Link - Governor	93	68839	Seal - Filler Tube
42	280584	Spring - Governor Link	94	260133	Tube - Oil Filter
43	212359	Link - Counterweight	95	222502	Clamp - Oil Filter Tube
44	93874	Pin - Counterweight	96	93804	Screw - Clamp Mtg.
45	298909	Counterweight Asy.	97	302086	Filter Group - Oil (Inc. Key No's 91, 92, 93, 94, 95 & 96)
46	390172	Collar - Insulating	98	27803	*Gasket - Valve Cover
47	66554	Collar - Insulating	99	298977	Gasket Set
48	270430	*Gasket - Cylinder Head	100	29512	Bushing - Plunger
49	231062	Hex Nut No. 10 - 24	101	211681	Seat - Intake Valve (Std.)
50	92613	Bolt - Governor Lever	102	211661	Seat - Exhaust Valve (Std.)
51	391733	Lever Asy., Governor (Inc. Key No's 49 & 50)	103	230656	Guide - Exhaust Valve
52	222450	Washer - Governor Lever			
53	93306	Dotter - Hair Pin			
54	93307	Retainer - E-Ring			
55	211058	Crank - Governor			
56	231055	Bushing - Governor Crank			
57	280005	Breather Tube			
58	391408	Breather Asy.			
59	93536	Sims Screw			
60	391757	Crankshaft			

\*INCLUDED IN GASKET SET 299577  
SPARK ARRESTER ASSEMBLY (OPTIONAL)  
Spark Arrester  
Deflector  
Screw (4 required)

### REPAIR PARTS

32" REAR ENGINE RIDING LAWN MOWER - MODEL NUMBER K8327CR  
BRIGGS & STRATTON 8 H.P. ENGINE - MODEL NO. 191705, TYPE NO. 5647-01  
CARBURETOR NUMBER 390811



ALL ENGINE PARTS MUST BE PURCHASED THROUGH AND SERVICE PERFORMED BY YOUR LOCAL BRIGGS AND STRATTON DEALER.

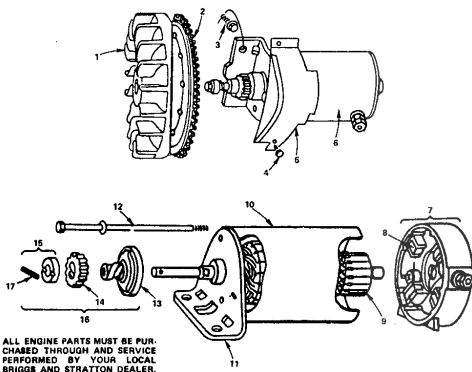
### REPAIR PARTS

32" REAR ENGINE RIDING LAWN MOWER - MODEL NUMBER K8327CR  
BRIGGS & STRATTON 8 H.P. ENGINE - MODEL NO. 191705, TYPE NO. 5647-01  
CARBURETOR NUMBER 390811

KEY NO.	PART NO.	DESCRIPTION	KEY NO.	PART NO.	DESCRIPTION
1	299851	Body Ass'y. (Includes Key No. 3)	21	391512	Shaft & Lever - Throttle
2	211682	Venturi - Carburetor	22	221995	Bowl - Float
3	221997	*Plug - Wash	23	220886	*Pin - Float Hinge
4	350584	Shaft and Lever - Choke	24	299096	*Valve - Fuel Inlet
5	261116	Spring - Choke Return	25	230952	*Screw - Nozzle
6	270382	Washer - Choke Shaft	26	222014	*Washer - Float Bowl
7	222010	Valve - Choke	27	391233	*Valve - Nozzle
8	93499	Screw - Sem	28	95679	Screw
9	91920	Screw - Fil. Hd. Maph. No. B - 32 x 5/8	29	222027	Bracket - Carburetor
10	26157	Spring - Throttle Adjustment	30	61218	Connector - Fuel Pipe
11	211712	Stop - Throttle	31	261117	Link - Choke
12	95643	Pin - Throttle Stop	32	93323	Screw - Air Cleaner
13	259460	*Nozzle - Carburetor	33	95022	Screw - Air Cleaner
14	292681	*Valve Ass'y. - Carb. Idle	34	270539	Gasket - Air Cleaner
15	23108	Bushing - Throttle Shaft	35	270536	Element - Air Cleaner
16	93357	Screw - Carburetor Mfg.	36	391593	Air Cleaner Ass'y. (Inc. Key No 35)
17	270624	*Gasket - Carburetor Mfg.		299852	Carburetor Overhaul Kit (Inc. Parts Marked *)
18	270511	*Gasket - Float Bowl	390811		Carburetor Assembly
19	289107	Float - Carburetor			
20	221995	Valve - Throttle			

### REPAIR PARTS

32" REAR ENGINE RIDING LAWN MOWER - MODEL NUMBER K8327CR  
BRIGGS & STRATTON 8 H.P. ENGINE - MODEL NO. 191705, TYPE NO. 5647-01  
FLYWHEEL AND STARTER MOTOR GROUP

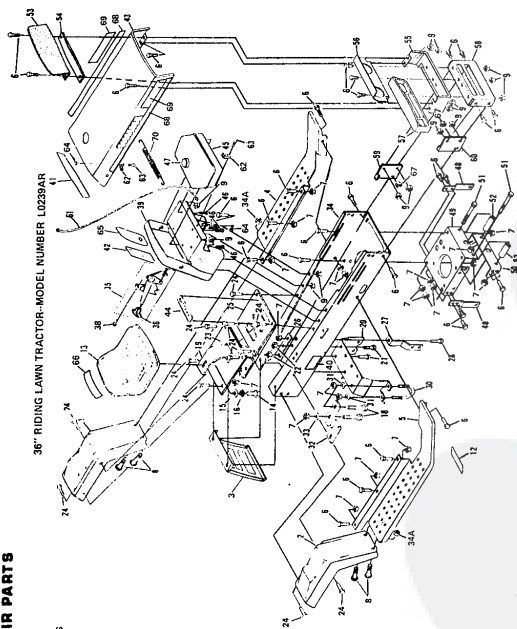


ALL ENGINE PARTS MUST BE PURCHASED THROUGH AND SERVICE PERFORMED BY YOUR LOCAL BRIGGS AND STRATTON DEALER.

KEY NO.	PART NO.	DESCRIPTION
1	392034	Flywheel and Ring Gear Ass'y.
2	392134	Gear - Ring
3	93823	Screw - Sem
4	93410	Screw - Sem
5	390233	Cover & Shield - Starter
6	392749	Motor, Starter (Inc. Key No's. 7 thru 17)
7	390846	End Cap Ass'y. Commutator (Inc. Key No. 8)
8	391705	Brush Ass'y.
9	392747	Armature Ass'y.
10	392744	Housing Ass'y.
11	392061	End Cap Ass'y. Drive
12	391706	Thru Bolt Ass'y.
13	391136	Clutch Ass'y.
14	280104	Gear
15	391462	Retainer & Pin (Inc. Key No. 17)
16	391461	Drive Ass'y. (Inc. Key No's. 13, 14 & 15)
17	93754	Roll Pin

**REPAIR PARTS**

CHASSIS



36" RIDING LAWN TRACTOR—MODEL NUMBER L0238AR

**REPAIR PARTS**

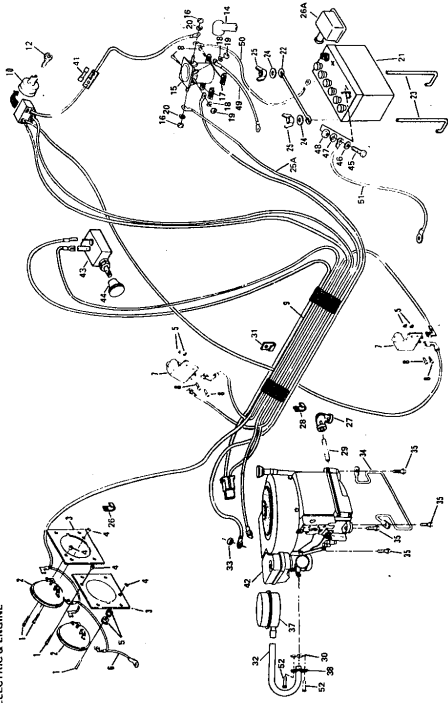
CHASSIS

KEY NO.	PART NO.	DESCRIPTION
2	200J	Fender, L. H.
3	1388J	Rear Cover, L.H.
4	1389J	Rear Cover, R.H.
5	1540J	Foot Rest, R.H.
6	2010P	Seat, Hex Head 5/16" - 18 x 3/4
7	2010P	Seat, Hex Head 5/16" - 18 x 1/2
8	2008P	Seat, Hex Head 5/16" - 18 x 1/2
9	2009P	Seat, Hex Head 5/16" - 18 x 1/2
10	2011P	Seat, Hex Head 5/16" - 18 x 1/2
11	2012P	Seat, Hex Head 5/16" - 18 x 1/2
12	2013P	Seat, Hex Head 5/16" - 18 x 1/2
13	1095J	Seat, Hex Head 1/2" - 13 x 1
14	1096J	Seat, Hex Head 1/2" - 13 x 1
15	1097J	Seat, Hex Head 1/2" - 13 x 1
16	1098J	Seat, Hex Head 1/2" - 13 x 1
17	1099J	Seat, Hex Head 1/2" - 13 x 1
18	2012P	Seat, Hex Head 5/16" - 18 x 1, 1/4 G. 5
19	2013P	Seat, Hex Head 5/16" - 18 x 1, 1/4 G. 5
20	2014P	Seat, Hex Head 5/16" - 18 x 1, 1/4 G. 5
21	2015P	Seat, Hex Head 5/16" - 18 x 1, 1/4 G. 5
22	2016P	Seat, Hex Head 5/16" - 18 x 1, 1/4 G. 5
23	1790J	Seat, Hex Head 5/16" - 18 x 1, 1/4 G. 5
24	5712P	Seat, Hex Head 5/16" - 18 x 1, 1/4 G. 5
25	671A3	Chassis Cover
26	21188	Anti-Slip Strip
27	21188	Anti-Slip Strip
28	21188	Anti-Slip Strip
29	21188	Anti-Slip Strip
30	21188	Anti-Slip Strip
31	1809P	Washer, 3/16" x 3/4 x 11 G.
32	1809P	Washer, 3/16" x 3/4 x 11 G.
33	1610P	Washer, 3/8" x 1 - 14 x 6 G.
34	2352P	Key Jam Nut 5/16" - 18 UNC
35	1544J	Rear Cover, L.H.
36	1545J	Rear Cover, R.H.
37	1546J	Foot Rest, R.H.
38	2010P	Seat, Hex Head 5/16" - 18 x 3/4
39	2010P	Seat, Hex Head 5/16" - 18 x 1/2
40	2008P	Seat, Hex Head 5/16" - 18 x 1/2
41	2009P	Seat, Hex Head 5/16" - 18 x 1/2
42	2011P	Seat, Hex Head 5/16" - 18 x 1/2
43	2012P	Seat, Hex Head 5/16" - 18 x 1/2
44	2013P	Seat, Hex Head 5/16" - 18 x 1/2
45	1095J	Seat, Hex Head 1/2" - 13 x 1
46	1096J	Seat, Hex Head 1/2" - 13 x 1
47	1097J	Seat, Hex Head 1/2" - 13 x 1
48	1098J	Seat, Hex Head 1/2" - 13 x 1
49	1099J	Seat, Hex Head 1/2" - 13 x 1
50	2012P	Seat, Hex Head 5/16" - 18 x 1, 1/4 G. 5
51	2013P	Seat, Hex Head 5/16" - 18 x 1, 1/4 G. 5
52	2014P	Seat, Hex Head 5/16" - 18 x 1, 1/4 G. 5
53	2015P	Seat, Hex Head 5/16" - 18 x 1, 1/4 G. 5
54	2016P	Seat, Hex Head 5/16" - 18 x 1, 1/4 G. 5
55	1790J	Seat, Hex Head 5/16" - 18 x 1, 1/4 G. 5
56	5712P	Seat, Hex Head 5/16" - 18 x 1, 1/4 G. 5
57	671A3	Chassis Cover
58	21188	Anti-Slip Strip
59	21188	Anti-Slip Strip
60	21188	Anti-Slip Strip
61	21188	Anti-Slip Strip
62	21188	Anti-Slip Strip
63	1809P	Washer, 3/16" x 3/4 x 11 G.
64	1809P	Washer, 3/16" x 3/4 x 11 G.
65	1610P	Washer, 3/8" x 1 - 14 x 6 G.
66	2352P	Key Jam Nut 5/16" - 18 UNC
67	2352P	Key Jam Nut 5/16" - 18 UNC
68	2352P	Key Jam Nut 5/16" - 18 UNC
69	2352P	Key Jam Nut 5/16" - 18 UNC
70	2352P	Key Jam Nut 5/16" - 18 UNC

\*STANDARD HARDWARE—PURCHASE LOCALLY

**REPAIR PARTS**

ELECTRIC & ENGINE



36" RIDING LAWN TRACTOR—MODEL NUMBER L0238AR

**REPAIR PARTS**

ELECTRIC & ENGINE

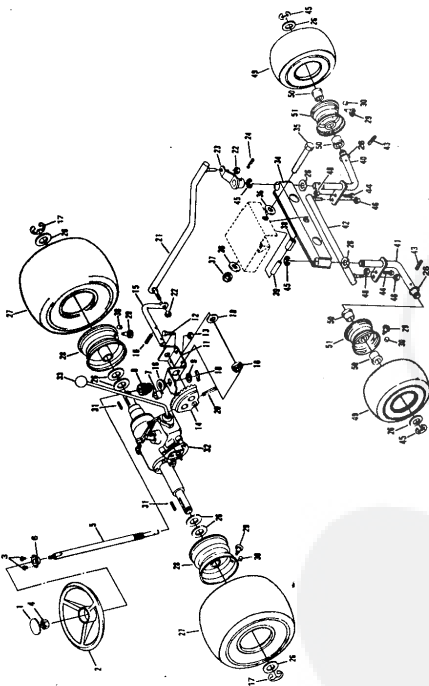
KEY NO.	PART NO.	DESCRIPTION
1	3228P	Screw, Machine Truss Head
2	6452R	Headlight Support
3	7307S	Headlight Support
4	561F	Nut, Key No. 10 - 24 UNC
5	561F	Nut, Key No. 10 - 24 UNC
6	7145P	Screw, Machine Phillips Head
7	3356P	Screw, Machine Phillips Head
8	3356P	Screw, Machine Phillips Head
9	1797J	Ignition Switch (Inc. Ref. No. 12)
10	6558R	Terminal Cover
11	6558R	Terminal Cover
12	7194	Terminal Cover
13	5384P	Nut, Hex Jam 5/16" - 24 UNF
14	5384P	Nut, Hex Jam 5/16" - 24 UNF
15	1008P	Nut, Hex Jam 5/16" - 24 UNF
16	1008P	Nut, Hex Jam 5/16" - 24 UNF
17	563P	Battery Bolt
18	563P	Battery Bolt
19	2281	Battery Bolt
20	2281	Battery Bolt
21	2281	Battery Bolt
22	2281	Battery Bolt
23	10456	Washer, 3/8" x 1 - 14 x 6 G.
24	10456	Washer, 3/8" x 1 - 14 x 6 G.
25	1347J	Wire - Substituted to Starter
26	1347J	Wire - Substituted to Starter
27	2251	Terminal Cover
28	2251	Terminal Cover
29	4077P	S4, Elbow 90° 3/8" - 18 NPT
30	2342R	Insulated Clip
31	1497J	Exhaust Gasket
32	1388J	Exhaust Gasket
33	1389J	Exhaust Gasket
34	1389J	Exhaust Gasket
35	1389J	Exhaust Gasket
36	1389J	Exhaust Gasket
37	1389J	Exhaust Gasket
38	1389J	Exhaust Gasket
39	1389J	Exhaust Gasket
40	1389J	Exhaust Gasket
41	1389J	Exhaust Gasket
42	1389J	Exhaust Gasket
43	1389J	Exhaust Gasket
44	1389J	Exhaust Gasket
45	1389J	Exhaust Gasket
46	1389J	Exhaust Gasket
47	1389J	Exhaust Gasket
48	1389J	Exhaust Gasket
49	1389J	Exhaust Gasket
50	1389J	Exhaust Gasket
51	1389J	Exhaust Gasket
52	1389J	Exhaust Gasket

\*STANDARD HARDWARE—PURCHASE LOCALLY

OPTIONAL EQUIPMENT  
Spark Arrestor Muller LA248R

### REPAIR PARTS

#### STEERING AND WHEELS



38" RIDING LAWN TRACTOR-MODEL NUMBER L0289AR

### REPAIR PARTS

#### STEERING AND WHEELS

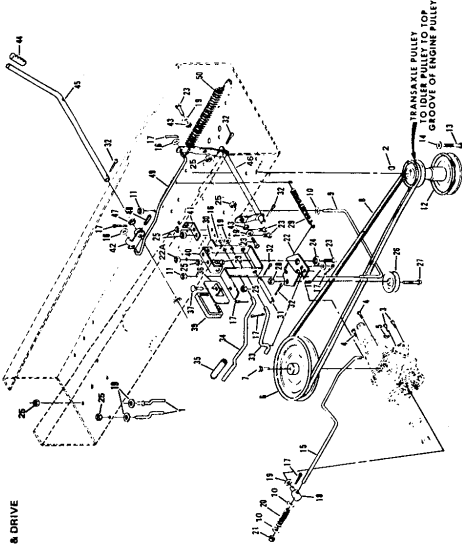
KEY NO.	PART NO.	DESCRIPTION
1	1114J	Steering Wheel Inset
2	506J	Steering Wheel, 9 1/2" Metal Screw
3	5014P	Hub, 1 1/2" Top All Ball
4	794191A	Transaxle Assembly Model 143.058A
5	1585J	Nut, Hex Head 5/16" x 1 1/2"
6	1585J	Bushing
7	1585J	Pinion Gear
8	74881	Pinion Gear, 1 1/2" x 1 1/2" x 1 1/2" Ga.
9	74881	Steering Bracket, 1 1/2" x 1 1/2" x 3/4"
10	52379	Steering Pin, 3/16" x 18" x 3/4"
11	74577	Steering Bracket, 1 1/2" x 1 1/2" x 1 1/2" Ga.
12	74577	Steering Bracket, 1 1/2" x 1 1/2" x 1 1/2" Ga.
13	575P	Nut, Lock 5/16" - 18 UNC
14	1818P	Steering Rod
15	1326J	Bushing
16	71208	Washer, 21/32" x 1 1/4" x 13 Ga.
17	71208	Washer, 21/32" x 1 1/4" x 13 Ga.
18	1818P	Steering Rod
19	73446	Drag Link, 3/8" x 3/8" x 2 1/2" UNF
20	71219	Steering Arm Assembly
21	71185	Steering Arm Assembly
22	1522P	Washer, 7/32" x 1 1/4" x 16 Ga.
23	1522P	Washer, 7/32" x 1 1/4" x 16 Ga.
24	71652	Tire (18.00" - 8.00" x 8)
25	71652	Tire

\* STANDARD HARDWARE - PURCHASE LOCALLY

### REPAIR PARTS

#### CLUTCH-BRAKE & DRIVE

38" RIDING LAWN TRACTOR-MODEL NUMBER L0289AR



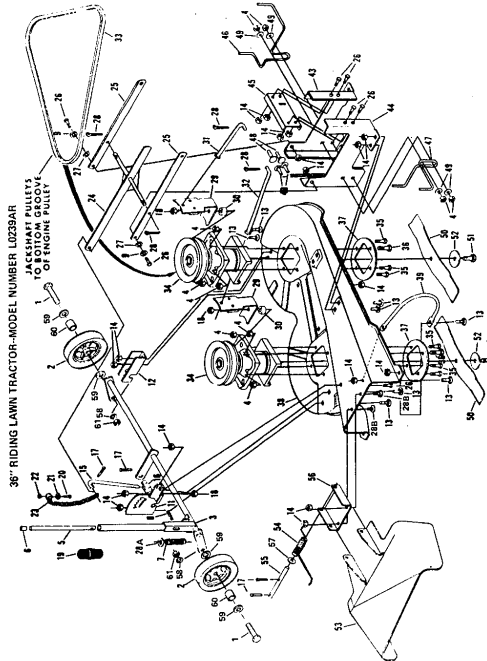
### REPAIR PARTS

#### CLUTCH-BRAKE & DRIVE

KEY NO.	PART NO.	DESCRIPTION
1	71200	Belt Guide
2	6503J	Key, Woodruff No. 6
3	6059P	Screw, Hex Head w/Washer 5/16" - 18" x 1 1/2"
4	6059P	Screw, Hex Head w/Washer 5/16" - 18" x 1 1/2"
5	52659	Key, Woodruff No. 6
6	6059P	Screw, Machine w/Washer 1/4" - 20 x 3/4" Ga. 5
7	6059P	Screw, Machine w/Washer 1/4" - 20 x 3/4" Ga. 5
8	73794	Nut, Bolt Guide
9	71241	Locknut, 3/8" - 16 x 7/8 x 16 Ga.
10	71241	Locknut, 3/8" - 16 x 7/8 x 16 Ga.
11	545P	Sulley - Engine
12	71823	Sulley - Engine
13	71823	Sulley - Engine
14	15189	Bracket, 3/8" x 1 1/4" x 6 Ga.
15	73392	Bracket, 3/8" x 1 1/4" x 6 Ga.
16	73392	Bracket, 3/8" x 1 1/4" x 6 Ga.
17	73392	Bracket, 3/8" x 1 1/4" x 6 Ga.
18	71238	Washer, 3/32" x 2 1/4" x 16 Ga.
19	71238	Washer, 3/32" x 2 1/4" x 16 Ga.
20	71239	Locknut w/Washer 3/8" - 16 UNC
21	591P	Locknut w/Washer 3/8" - 16 UNC
22	588P	Locknut w/Washer 5/16" - 18 UNC

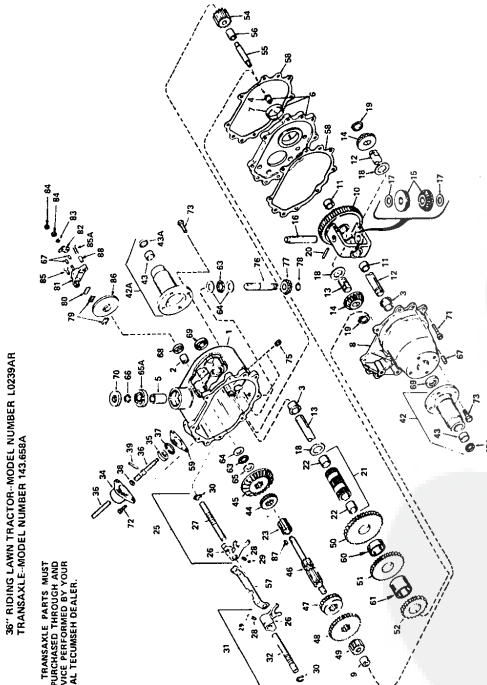
\* STANDARD HARDWARE - PURCHASE LOCALLY

**REPAIR PARTS**



36" RIDING LAWN TRACTOR—MODEL NUMBER L023BAR  
MOWER  
TO BOTTOM GROOVE  
OF ENGINE PULLEY

**REPAIR PARTS**



36" RIDING LAWN TRACTOR—MODEL NUMBER L023BAR  
TRANAXLE—MODEL NUMBER 143.658A

ALL TRANAXLE PARTS MUST BE PURCHASED THROUGH AND SERVICE PERFORMED BY YOUR LOCAL TECHNICIAN DEALER.

**REPAIR PARTS**

KEY NO.	PART NO.	DESCRIPTION	KEY NO.	PART NO.	DESCRIPTION
1	3199P	Hex Bolt 3/8" x 2 1/4" x 3/4" Gr. 5	29	677A46	Blade Assembly
2	671A134	Clamp Nut	30	71522	Blade Spring
3	545P	Blade	31	71522	Blade R.H.
4	545P	Blade	32	71524	Blade L.H.
5	671A134	Clamp Nut	33	671A134	Blade R.H.
6	671A134	Clamp Nut	34	671A134	Blade L.H.
7	671A134	Clamp Nut	35	671A134	Blade R.H.
8	671A134	Clamp Nut	36	671A134	Blade L.H.
9	1599P	Washer 1/2" x 3/4" x 1/8" Gr. 5	37	71574	Blade R.H.
10	1599P	Washer 1/2" x 3/4" x 1/8" Gr. 5	38	71574	Blade L.H.
11	671A134	Clamp Nut	39	71574	Blade R.H.
12	671A134	Clamp Nut	40	71574	Blade L.H.
13	671A134	Clamp Nut	41	71574	Blade R.H.
14	671A134	Clamp Nut	42	71574	Blade L.H.
15	71500	Adjustment Rod	43	71574	Blade R.H.
16	71500	Adjustment Rod	44	71574	Blade L.H.
17	2539P	Center Pin 3/22 x 3/4" - 18 UMC	45	71574	Blade R.H.
18	2539P	Center Pin 3/22 x 3/4" - 18 UMC	46	71574	Blade L.H.
19	1747J	Washer 1/2" x 3/4" x 1/8" Gr. 5	47	71574	Blade R.H.
20	3224P	Screw Pan-Head Machine 1/4" x 20 x 1	48	1614P	Blade R.H.
21	574P	Washer 1/2" x 3/4" x 1/8" Gr. 5	49	1614P	Blade L.H.
22	574P	Washer 1/2" x 3/4" x 1/8" Gr. 5	50	71555	Blade R.H.
23	72015	Washer 1/2" x 3/4" x 1/8" Gr. 5	51	71555	Blade L.H.
24	72015	Washer 1/2" x 3/4" x 1/8" Gr. 5	52	677A52	Blade R.H.
25	7193P	Washer 1/2" x 3/4" x 1/8" Gr. 5	53	677A52	Blade L.H.
26	7193P	Washer 1/2" x 3/4" x 1/8" Gr. 5	54	71555	Blade R.H.
27	71610	Washer 1/2" x 3/4" x 1/8" Gr. 5	55	71555	Blade L.H.
28	1615P	Washer 1/2" x 3/4" x 1/8" Gr. 5	56	71555	Blade R.H.
28A	1615P	Washer 1/2" x 3/4" x 1/8" Gr. 5	57	71555	Blade L.H.
28B	1615P	Washer 1/2" x 3/4" x 1/8" Gr. 5	58	71555	Blade R.H.
			59	71555	Blade L.H.
			60	71555	Blade R.H.
			61	71555	Blade L.H.

**REPAIR PARTS**

KEY NO.	PART NO.	DESCRIPTION	KEY NO.	PART NO.	DESCRIPTION
45	73857	Gear, Bevel (23 Teeth)	73	73857	Gear, Bevel (23 Teeth)
46	73858	Shaft, Shifter & Brake	74	73858	Shaft, Shifter & Brake
47	73859	Gear, Shifting (14 & 16)	75	73859	Gear, Shifting (14 & 16)
48	73860	Gear, Shifting (14 & 16)	76	73860	Gear, Shifting (14 & 16)
49	73861	Gear, Counterhaft (15 Teeth)	77	73861	Gear, Counterhaft (15 Teeth)
50	73862	Gear, Counterhaft (15 Teeth)	78	73862	Gear, Counterhaft (15 Teeth)
51	73863	Shaft, Reverse Idler	79	73863	Shaft, Reverse Idler
52	73864	Stop Shifter	80	73864	Stop Shifter
53	73865	Gasket, Shift Lever Housing	81	73865	Gasket, Shift Lever Housing
54	73866	Spacer	82	73866	Spacer
55	73867	Bearing, Thrust	83	73867	Bearing, Thrust
56	73868	Washer, Thrust	84	73868	Washer, Thrust
57	73869	Ring, Shift	85	73869	Ring, Shift
58	73870	Shaft, Shift	86	73870	Shaft, Shift
59	73871	Shaft, Shift	87	73871	Shaft, Shift
60	73872	Shaft, Shift	88	73872	Shaft, Shift
61	73873	Screw, Socket Head (1/4" x 2 1/4" x 1/4")	89	73873	Screw, Socket Head (1/4" x 2 1/4" x 1/4")
62	73874	Washer, Thrust	90	73874	Washer, Thrust
63	73875	Washer, Thrust	91	73875	Washer, Thrust
64	73876	Washer, Thrust	92	73876	Washer, Thrust
65	73877	Washer, Thrust	93	73877	Washer, Thrust
66	73878	Washer, Thrust	94	73878	Washer, Thrust
67	73879	Washer, Thrust	95	73879	Washer, Thrust
68	73880	Washer, Thrust	96	73880	Washer, Thrust
69	73881	Washer, Thrust	97	73881	Washer, Thrust
70	73882	Washer, Thrust	98	73882	Washer, Thrust
71	73883	Washer, Thrust	99	73883	Washer, Thrust
72	73884	Washer, Thrust	100	73884	Washer, Thrust
73	73885	Washer, Thrust	101	73885	Washer, Thrust
74	73886	Washer, Thrust	102	73886	Washer, Thrust
75	73887	Washer, Thrust	103	73887	Washer, Thrust
76	73888	Washer, Thrust	104	73888	Washer, Thrust
77	73889	Washer, Thrust	105	73889	Washer, Thrust
78	73890	Washer, Thrust	106	73890	Washer, Thrust
79	73891	Washer, Thrust	107	73891	Washer, Thrust
80	73892	Washer, Thrust	108	73892	Washer, Thrust
81	73893	Washer, Thrust	109	73893	Washer, Thrust
82	73894	Washer, Thrust	110	73894	Washer, Thrust
83	73895	Washer, Thrust	111	73895	Washer, Thrust
84	73896	Washer, Thrust	112	73896	Washer, Thrust
85	73897	Washer, Thrust	113	73897	Washer, Thrust
86	73898	Washer, Thrust	114	73898	Washer, Thrust
87	73899	Washer, Thrust	115	73899	Washer, Thrust
88	73900	Washer, Thrust	116	73900	Washer, Thrust
89	73901	Washer, Thrust	117	73901	Washer, Thrust
90	73902	Washer, Thrust	118	73902	Washer, Thrust
91	73903	Washer, Thrust	119	73903	Washer, Thrust
92	73904	Washer, Thrust	120	73904	Washer, Thrust
93	73905	Washer, Thrust	121	73905	Washer, Thrust
94	73906	Washer, Thrust	122	73906	Washer, Thrust
95	73907	Washer, Thrust	123	73907	Washer, Thrust
96	73908	Washer, Thrust	124	73908	Washer, Thrust
97	73909	Washer, Thrust	125	73909	Washer, Thrust
98	73910	Washer, Thrust	126	73910	Washer, Thrust
99	73911	Washer, Thrust	127	73911	Washer, Thrust
100	73912	Washer, Thrust	128	73912	Washer, Thrust
101	73913	Washer, Thrust	129	73913	Washer, Thrust
102	73914	Washer, Thrust	130	73914	Washer, Thrust
103	73915	Washer, Thrust	131	73915	Washer, Thrust
104	73916	Washer, Thrust	132	73916	Washer, Thrust
105	73917	Washer, Thrust	133	73917	Washer, Thrust
106	73918	Washer, Thrust	134	73918	Washer, Thrust
107	73919	Washer, Thrust	135	73919	Washer, Thrust
108	73920	Washer, Thrust	136	73920	Washer, Thrust
109	73921	Washer, Thrust	137	73921	Washer, Thrust
110	73922	Washer, Thrust	138	73922	Washer, Thrust
111	73923	Washer, Thrust	139	73923	Washer, Thrust
112	73924	Washer, Thrust	140	73924	Washer, Thrust
113	73925	Washer, Thrust	141	73925	Washer, Thrust
114	73926	Washer, Thrust	142	73926	Washer, Thrust
115	73927	Washer, Thrust	143	73927	Washer, Thrust
116	73928	Washer, Thrust	144	73928	Washer, Thrust
117	73929	Washer, Thrust	145	73929	Washer, Thrust
118	73930	Washer, Thrust	146	73930	Washer, Thrust
119	73931	Washer, Thrust	147	73931	Washer, Thrust
120	73932	Washer, Thrust	148	73932	Washer, Thrust
121	73933	Washer, Thrust	149	73933	Washer, Thrust
122	73934	Washer, Thrust	150	73934	Washer, Thrust
123	73935	Washer, Thrust	151	73935	Washer, Thrust
124	73936	Washer, Thrust	152	73936	Washer, Thrust
125	73937	Washer, Thrust	153	73937	Washer, Thrust
126	73938	Washer, Thrust	154	73938	Washer, Thrust
127	73939	Washer, Thrust	155	73939	Washer, Thrust
128	73940	Washer, Thrust	156	73940	Washer, Thrust
129	73941	Washer, Thrust	157	73941	Washer, Thrust
130	73942	Washer, Thrust	158	73942	Washer, Thrust
131	73943	Washer, Thrust	159	73943	Washer, Thrust
132	73944	Washer, Thrust	160	73944	Washer, Thrust
133	73945	Washer, Thrust	161	73945	Washer, Thrust
134	73946	Washer, Thrust	162	73946	Washer, Thrust
135	73947	Washer, Thrust	163	73947	Washer, Thrust
136	73948	Washer, Thrust	164	73948	Washer, Thrust
137	73949	Washer, Thrust	165	73949	Washer, Thrust
138	73950	Washer, Thrust	166	73950	Washer, Thrust
139	73951	Washer, Thrust	167	73951	Washer, Thrust
140	73952	Washer, Thrust	168	73952	Washer, Thrust
141	73953	Washer, Thrust	169	73953	Washer, Thrust
142	73954	Washer, Thrust	170	73954	Washer, Thrust
143	73955	Washer, Thrust	171	73955	Washer, Thrust
144	73956	Washer, Thrust	172	73956	Washer, Thrust
145	73957	Washer, Thrust	173	73957	Washer, Thrust
146	73958	Washer, Thrust	174	73958	Washer, Thrust
147	73959	Washer, Thrust	175	73959	Washer, Thrust
148	73960	Washer, Thrust	176	73960	Washer, Thrust
149	73961	Washer, Thrust	177	73961	Washer, Thrust
150	73962	Washer, Thrust	178	73962	Washer, Thrust
151	73963	Washer, Thrust	179	73963	Washer, Thrust
152	73964	Washer, Thrust	180	73964	Washer, Thrust
153	73965	Washer, Thrust	181	73965	Washer, Thrust
154	73966	Washer, Thrust	182	73966	Washer, Thrust
155	73967	Washer, Thrust	183	73967	Washer, Thrust
156	73968	Washer, Thrust	184	73968	Washer, Thrust
157	73969	Washer, Thrust	185	73969	Washer, Thrust
158	73970	Washer, Thrust	186	73970	Washer, Thrust
159	73971	Washer, Thrust	187	73971	Washer, Thrust
160	73972	Washer, Thrust	188	73972	Washer, Thrust
161	73973	Washer, Thrust	189	73973	Washer, Thrust
162	73974	Washer, Thrust	190	73974	Washer, Thrust
163	73975	Washer, Thrust	191	73975	Washer, Thrust
164	73976	Washer, Thrust	192	73976	Washer, Thrust
165	73977	Washer, Thrust	193	73977	Washer, Thrust
166	73978	Washer, Thrust	194	73978	Washer, Thrust
167	73979	Washer, Thrust	195	73979	Washer, Thrust
168	73980	Washer, Thrust	196	73980	Washer, Thrust
169	73981	Washer, Thrust	197	73981	Washer, Thrust
170	73982	Washer, Thrust	198	73982	Washer, Thrust
171	73983	Washer, Thrust	199	73983	Washer, Thrust
172	73984	Washer, Thrust	200	73984	Washer, Thrust
173	73985	Washer, Thrust	201	73985	Washer, Thrust
174	73986	Washer, Thrust	202	73986	Washer, Thrust
175	73987	Washer, Thrust	203	73987	Washer, Thrust
176	73988	Washer, Thrust	204	73988	Washer, Thrust
177	73989	Washer, Thrust	205	73989	Washer, Thrust
178	73990				

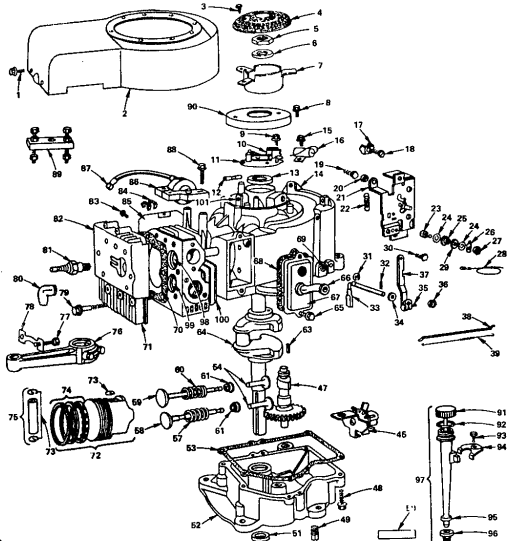


### REPAIR PARTS

36" RIDING LAWN TRACTOR-MODEL NUMBER L0239AR  
BRIGGS & STRATTON 10 H.P. ENGINE-MODEL NO. 220707, TYPE NO. 0134-01

#### CYLINDER, CRANKSHAFT AND ENGINE BASE GROUP

ALL ENGINE PARTS MUST BE PURCHASED THROUGH AND SERVICE PERFORMED BY YOUR LOCAL BRIGGS AND STRATTON DEALER.



### REPAIR PARTS

36" RIDING LAWN TRACTOR-MODEL NUMBER L0239AR  
BRIGGS & STRATTON 10 H.P. ENGINE-MODEL NO. 220707, TYPE NO. 0134-01

#### CYLINDER, CRANKSHAFT AND ENGINE BASE GROUP

KEY NO.	PART NO.	DESCRIPTION	KEY NO.	PART NO.	DESCRIPTION
1	93158	Screw - Blower Housing Mounting Sem	57	26829	Spring - Exhaust Valve
2	38156	Housing - Blower	58	23153	Valve - Exhaust
3	38098	Screw - Sem	59	26145Z	Valve - Intake
4	22562	Screen - Flush Rotating	60	65206	Spring - Intake Valve
5	92584	Nut - Hex	61	221596	Retainer - Intake Valve
6	22985	Washer - Spring	62	61760	Key - Flywheel
7	22561	Cap - Screw Mounting	63	61605	Crankshaft
8	93014	Screw - Sem	64	93304	Screw - Sem
9	93296	Cap - Screw Mounting	65	280100	Tube - Breather
10	26018	Spring - Breather Arm	67	391406	Breather Assembly
11	59194	Breaker As'y - Ignition (Inc. No. 10)	68	27803	Gasket - Valve Cover
12	65704	Puncher - Breaker Point	69	231055	Bushing - Gov. Crank (1 1/4" I.D.)
13	39108	Seal - Oil	70	271075	Gasket - Cylinder Head
14	39353	Cylinder As'y. (Inc. No. 13)	71	212366	Head - Cylinder
15	93042	Screw - Sem	72	391285	Piston As'y. - Standard (Inc. No.'s. 73 & 74)
16	39192	Condenser			
17	221535	Clamp - Gaining			
18	93496	Screw - Sem			
19	93688	Screw - Control Bracket Mounting	73	269524	Lock - Piston Pin
20	231039	Screw - Control Bracket Mounting	74	391289	Ring Set - Piston - Std.
21	390662	Plate - Gov. Control			
22	291306	Screw - Terminating			
23	91920	Screw - Lock - Shakeproof			
24	92511	Collar - Insulating	75	299561	Ring Set - Piston - 0.10" O.S.
25	66554	Nut - Hex B - 32			
26	93722	Washer - Ground	76	66560	Pin As'y. - Piston - 0.02" O.S.
27	90576	Nut - Hex B - 32			
28	39192	Washer - Insulating	77	92920	Screw - Conn. Rod
29	66568	Washer - Insulating	78	222259	Lock - Conn. Rod Screw
30	93572	Retainer - E-Ring	79	53753	NOTE: 33181 Stud - Cylinder Head
31	83307	Retainer - E-Ring			
32	83266	Collar - Governor (1/4" Dia.)	80	66538	Elbow - Spark Plug
33	231058	Washer - Gov. Crank (1 1/4" I.D.)	81	23919	NOTE: Spark Plug use Ignition Cable Terminal No. 221386
34	22450	Ball - Governor Lever			
35	92613	Nut - Hex 10 - 24			
36	231082	Level As'y. - Governor (for 1/4" Dia. Crank) (Inc. No.'s. 35 & 36)	82	222725	Cover - Cylinder Head
37	391253	Link - Governor	83	221907	Screw - Cylinder-Head Mtg. Sem
38	261198	Spring - Governor Link	84	231007	Clip - Wire
39	261197	Oil Slinger - Gov. Gear & Bracket As'y.	85	221907	Screw - Cylinder
40	93586	Gear - Cam	86	289568	Armature As'y.
41	212796	Screw - Sump Mounting Sem	87	10209	Terminal - Ignition Cable
42	91084	Plug - Oil Drain	88	63381	Screw - Armature Mounting Sem
43	393411	Gasket - Seal	89	61760	Key - Flywheel
44	291975	Seal - Oil	90	222309	Cover - Breaker Point
45	391784	Sump - Oil (Inc. No.'s. 51 & 53)	91	391841	Cap and Dipstick - Oil Filler
46	270828	*Gasket - Crankcase Cover - 1/64" Thick	92	270920	Seal - Filler Cap
47	270915	*Gasket - Crankcase Cover - .005" Thick	93	93804	Screw - Clamp Mtg.
48	270916	*Gasket - Crankcase Cover - .009" Thick	94	225022	Clamp - Oil Filler Tube
49	261193	Tappet - Valve	95	280104	Tube - Oil Filler
			96	68830	Seal - Filler Tube
			97	392057	Filler Group - Oil
			98	261463	Intake Valve Seat
			99	215681	Exhaust Valve Seat
			100	230881	Exhaust Valve Stem Guide
			101	29513	Puncher - Bushing

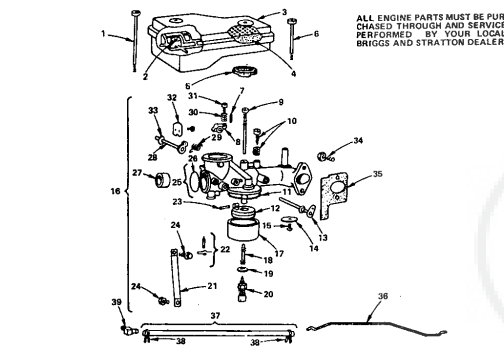
\*STANDARD HARDWARE-PURCHASE LOCALLY

### REPAIR PARTS

36" RIDING LAWN TRACTOR-MODEL NUMBER L0239AR  
BRIGGS & STRATTON 10 H.P. ENGINE-MODEL NO. 220707, TYPE NO. 0134-01

#### AIR CLEANER AND CARBURETOR

ALL ENGINE PARTS MUST BE PURCHASED THROUGH AND SERVICE PERFORMED BY YOUR LOCAL BRIGGS AND STRATTON DEALER.



KEY NO.	PART NO.	DESCRIPTION	KEY NO.	PART NO.	DESCRIPTION
1	93323	Screw - Air Cleaner	24	93572	Screw
2	260118	Support - Air Cleaner Element	25	291787	Body As'y. - Carburetor (Inc. No. 26)
3	391786	Cleaner As'y. - Air (Inc. No.'s. 2 & 4)	26	221997	*Plug - Wash
4	270843	Element - Air Cleaner	27	211960	Venturi - Carburetor
5	270853	Gasket - Air Cleaner	28	360584	Shaft & Lever - Choke
6	93822	Screw - Air Cleaner	29	261116	Spring - Choke Return
7	93943	Pin - Throttle Stop	30	26157	Spring - Throttle Adjustment
8	211712	Stop - Throttle	31	91920	Screw - Machine, Fil. Hd. 8 - 32 x 5/8"
9	299740	Nozzle - Carburetor	32	222010	Valve - Choke
10	297861	Valve As'y. - Carburetor Idle	33	270382	Washer - Choke Shaft
11	270511	*Gasket - Float Bowl	34	93357	Screw - Carburetor Mtg.
12	299707	Float - Carburetor	35	270872	*Gasket - Carburetor Mtg.
13	391512	Shaft & Lever - Throttle	36	261274	LFA - Choke
14	222658	Valve - Throttle	37	298004	Pipe - Fuel (Inc. No. 38)
15	93499	Screw - Throttle & Choke Valve Mtg. Sem	38	93053	Clamp - Fuel Pipe
16	393410	Carburetor As'y. (Choke-A-Matic) (Inc. No.'s. 7 thru 33)	39	67218	Connector - Fuel Pipe
17	221985	Bowl - Float			
18	250932	*Screw - Nozzle			
19	222014	Washer - Float Bowl			
20	391233	Valve - Needle			
21	222311	Bracket - Carburetor			
22	299568	Valve - Fuel Inlet			
23	230898	*Pin - Float Hinge			

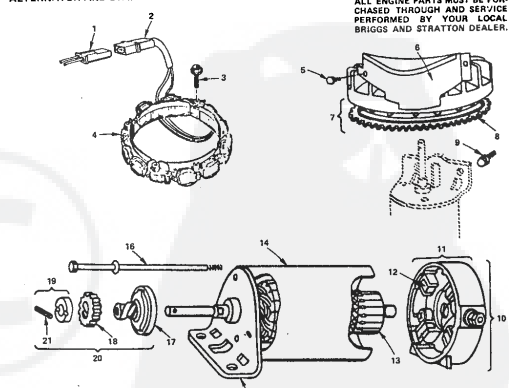
\*INCLUDED IN CARBURETOR OVERHAUL KIT - PART NO. 298652  
\*INCLUDED IN GASKET SET - PART NO. 393411

### REPAIR PARTS

36" RIDING LAWN TRACTOR-MODEL NUMBER L0239AR  
BRIGGS & STRATTON 10 H.P. ENGINE-MODEL NO. 220707, TYPE NO. 0134-01

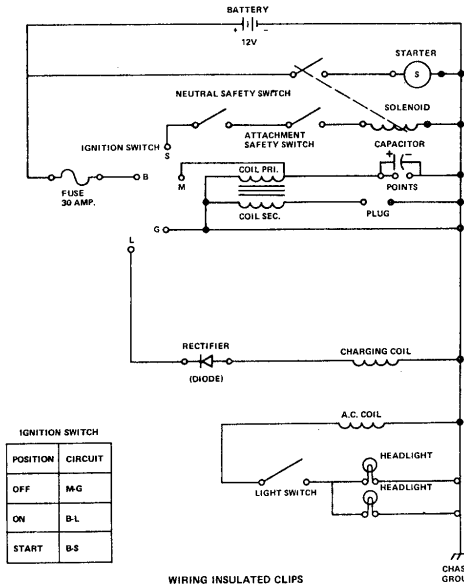
#### ALTERNATOR AND STARTER MOTOR GROUP

ALL ENGINE PARTS MUST BE PURCHASED THROUGH AND SERVICE PERFORMED BY YOUR LOCAL BRIGGS AND STRATTON DEALER.



KEY NO.	PART NO.	DESCRIPTION	KEY NO.	PART NO.	DESCRIPTION
1	393362	Alt. Harness Assembly	10	392749	Motor and Drive As'y. (12 Volts (Inc. No.'s. 11 thru 20))
2	393456	Diode and Conn. Assembly	11	390846	End Cap As'y., Commutator (Inc. No. 12)
3	93521	Screw - Sem			
4	393474	Stator - Alternator	12	391705	Brush As'y.
5	93410	Screw - Sem	13	392747	Armature As'y.
6	390233	Cover and Shield - Starter	14	392744	Housing As'y.
7	391968	Flywheel & Ring Gear As'y. - Magnet (Inc. No. 14)	15	392061	End Cap As'y., Drive
8	392134	Gear - Ring (Inc. Mounting Parts)	16	391705	Thru Bolt As'y.
9	93523	Screw - Sem	17	391125	Clutch As'y.
			18	280104	Gear
			19	391462	Retainer & Pin
			20	391461	Drive As'y. (Inc. No.'s. 17, 18 & 19)
			21	93754	Rail Pin

36" RIDING LAWN TRACTOR—MODEL NUMBER L0239AR  
SCHEMATIC DIAGRAM



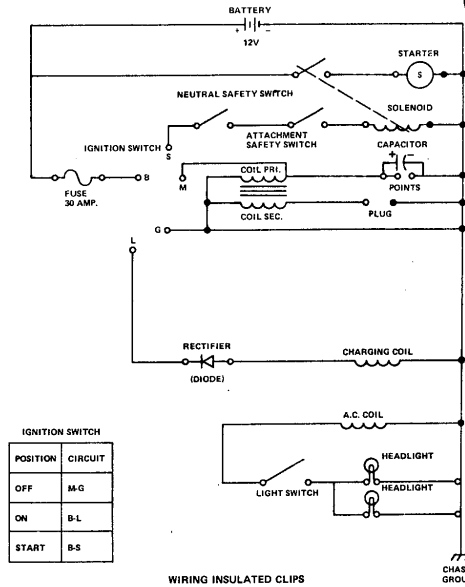
WIRING INSULATED CLIPS

If Insulated Clips were removed for servicing of unit, they should be replaced to properly secure your wiring. There are three Insulated Clips on your Tractor.

1. L.H. side of Tractor for safety switch wires (Key No. 28, page 14).
2. R.H. side of Tractor securing wire harness and cable wire (Key No. 31, page 14).
3. Headlight wire (Key No. 26, page 14).

REPAIR PARTS

36" RIDING LAWN TRACTOR—MODEL NUMBER L1219AR  
SCHEMATIC DIAGRAM



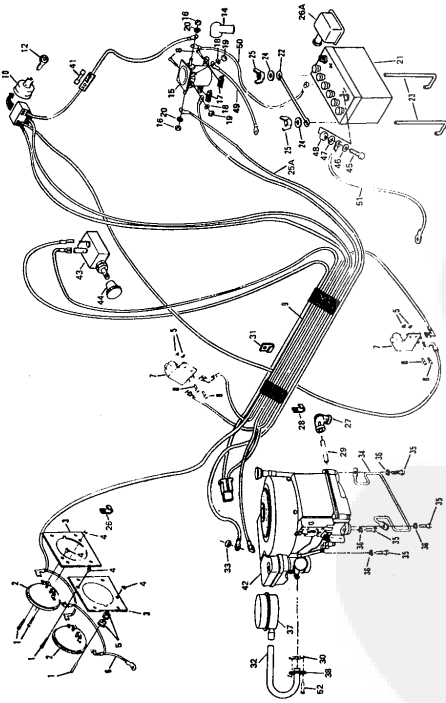
WIRING INSULATED CLIPS

If Insulated Clips were removed for servicing of unit, they should be replaced to properly secure your wiring. There are three Insulated Clips on your Tractor.

1. L.H. side of Tractor for safety switch wires (Key No. 28, page 14).
2. R.H. side of Tractor securing wire harness and cable wire (Key No. 31, page 14).
3. Headlight wire (Key No. 26, page 14).

36" RIDING LAWN TRACTOR—MODEL NUMBER L1219AR

REPAIR PARTS  
ELECTRIC & ENGINE



36" RIDING LAWN TRACTOR—MODEL NUMBER L1219AR

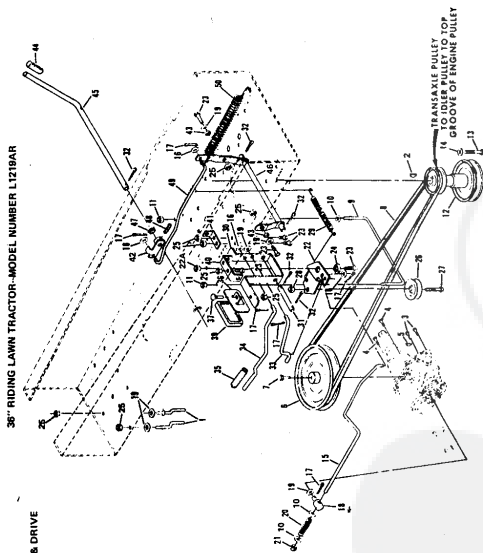
REPAIR PARTS  
ELECTRIC & ENGINE

KEY NO.	PART NO.	DESCRIPTION
1	3220P	Score Machine Trust Head
2	6450R	Headlight
3	7315R	Headlight Socket
4	4821A	Washer, Lock No. 10-24 UNC
5	7110S	Washer, Lock No. 10-24 UNC
6	7110S	Washer, Lock No. 10-24 UNC
7	7765R	Safety Switch
8	526P	Washer, Phillips Head
9	526P	Washer, Phillips Head
10	4492A	Ignition Switch (Inc. Ref. No. 12)
11	7567H	Key Set
12	7567H	Key Set
13	7567H	Key Set
14	7567H	Key Set
15	7764R	Solenoid
16	7764R	Solenoid
17	678P	Washer, Lock No. 10-24 UNC
18	1006P	Washer, Lock No. 10-24 UNC
19	1006P	Washer, Lock No. 10-24 UNC
20	1006P	Washer, Lock No. 10-24 UNC
21	6718T	Lockwasher S118
22	1507P	Battery Rod
23	1507P	Battery Rod
24	1507P	Battery Rod
25	677P	Washer, Lock No. 10-24 UNC
26	677P	Washer, Lock No. 10-24 UNC
27	2521R	Insulated Clip
28	2521R	Insulated Clip
29	2521R	Insulated Clip
30	2521R	Insulated Clip
31	6784R	Washer, Lock No. 10-24 UNC
32	6784R	Washer, Lock No. 10-24 UNC
33	13380	Washer, Lock No. 10-24 UNC
34	1786J	Washer, Lock No. 10-24 UNC
35	5968P	Washer, Lock No. 10-24 UNC
36	5968P	Washer, Lock No. 10-24 UNC
37	677466	Muffler
38	1423	Exhaust Flange
39	1423	Exhaust Flange
40	252107	Engine - Briggs and Stratton 1, H.P.
41	252107	Engine - Briggs and Stratton 1, H.P.
42	252107	Engine - Briggs and Stratton 1, H.P.
43	7763R	Light Switch
44	7763R	Light Switch
45	7763R	Light Switch
46	1506P	Washer, Lock No. 10-24 UNC
47	1506P	Washer, Lock No. 10-24 UNC
48	1506P	Washer, Lock No. 10-24 UNC
49	6027R	Washer, Lock No. 10-24 UNC
50	6027R	Washer, Lock No. 10-24 UNC
51	6027R	Washer, Lock No. 10-24 UNC
52	6027R	Washer, Lock No. 10-24 UNC
53	6027R	Washer, Lock No. 10-24 UNC
54	6027R	Washer, Lock No. 10-24 UNC
55	6027R	Washer, Lock No. 10-24 UNC
56	6027R	Washer, Lock No. 10-24 UNC
57	6027R	Washer, Lock No. 10-24 UNC
58	6027R	Washer, Lock No. 10-24 UNC
59	6027R	Washer, Lock No. 10-24 UNC
60	6027R	Washer, Lock No. 10-24 UNC
61	6027R	Washer, Lock No. 10-24 UNC
62	6027R	Washer, Lock No. 10-24 UNC
63	6027R	Washer, Lock No. 10-24 UNC
64	6027R	Washer, Lock No. 10-24 UNC
65	6027R	Washer, Lock No. 10-24 UNC
66	6027R	Washer, Lock No. 10-24 UNC
67	6027R	Washer, Lock No. 10-24 UNC
68	6027R	Washer, Lock No. 10-24 UNC
69	6027R	Washer, Lock No. 10-24 UNC
70	6027R	Washer, Lock No. 10-24 UNC
71	6027R	Washer, Lock No. 10-24 UNC
72	6027R	Washer, Lock No. 10-24 UNC
73	6027R	Washer, Lock No. 10-24 UNC
74	6027R	Washer, Lock No. 10-24 UNC
75	6027R	Washer, Lock No. 10-24 UNC
76	6027R	Washer, Lock No. 10-24 UNC
77	6027R	Washer, Lock No. 10-24 UNC
78	6027R	Washer, Lock No. 10-24 UNC
79	6027R	Washer, Lock No. 10-24 UNC
80	6027R	Washer, Lock No. 10-24 UNC
81	6027R	Washer, Lock No. 10-24 UNC
82	6027R	Washer, Lock No. 10-24 UNC
83	6027R	Washer, Lock No. 10-24 UNC
84	6027R	Washer, Lock No. 10-24 UNC
85	6027R	Washer, Lock No. 10-24 UNC
86	6027R	Washer, Lock No. 10-24 UNC
87	6027R	Washer, Lock No. 10-24 UNC
88	6027R	Washer, Lock No. 10-24 UNC
89	6027R	Washer, Lock No. 10-24 UNC
90	6027R	Washer, Lock No. 10-24 UNC
91	6027R	Washer, Lock No. 10-24 UNC
92	6027R	Washer, Lock No. 10-24 UNC
93	6027R	Washer, Lock No. 10-24 UNC
94	6027R	Washer, Lock No. 10-24 UNC
95	6027R	Washer, Lock No. 10-24 UNC
96	6027R	Washer, Lock No. 10-24 UNC
97	6027R	Washer, Lock No. 10-24 UNC
98	6027R	Washer, Lock No. 10-24 UNC
99	6027R	Washer, Lock No. 10-24 UNC
100	6027R	Washer, Lock No. 10-24 UNC

\*STANDARD HARDWARE—PURCHASE LOCALLY  
OPTIONAL EQUIPMENT  
Spark Arrestor/Muffler L1248AR

### REPAIR PARTS

#### CLUTCH-BRAKE & DRIVE



### REPAIR PARTS

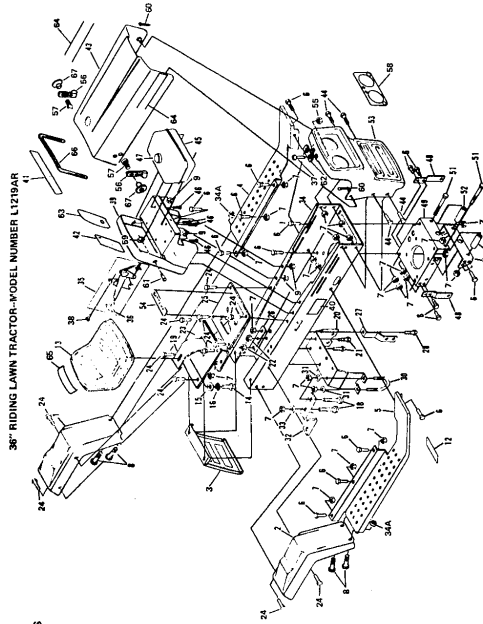
#### CLUTCH-BRAKE & DRIVE

REF. NO.	PART NO.	DESCRIPTION
1	71000	Bolt Guide
2	60599	Screw, Hex Head w/Washer
3	60599	Screw, Hex Head w/Washer
4	6000P	Washer, 1/2 x 1-1/8
5	52889	Pulley, 1/2 x 1-1/8
6	72842	Pulley, 1/2 x 1-1/8
7	60599	Screw, Hex Head w/Washer
8	72394	Washer, 1/2 x 1-1/8
9	1611P	Washer, 1/2 x 1-1/8
10	1611P	Washer, 1/2 x 1-1/8
11	71000	Bolt Guide
12	71000	Bolt Guide
13	6000P	Screw, Machine w/Ext. Lockwasher
14	1610P	Washer, 3/8 x 1-1/4 x 6 Ga.
15	1610P	Washer, 3/8 x 1-1/4 x 6 Ga.
16	1610P	Washer, 3/8 x 1-1/4 x 6 Ga.
17	2000P	Washer, 1/2 x 3/4 x 3/4
18	1610P	Washer, 1/2 x 3/4 x 3/4
19	1610P	Washer, 1/2 x 3/4 x 3/4
20	5100P	Bracket, 1/2 x 1-1/8
21	71001	Locknut w/Washer 5/16 - 18 UNC
22	500P	Spring

\*STANDARD HARDWARE - PURCHASE LOCALLY

### REPAIR PARTS

#### CHASSIS



### REPAIR PARTS

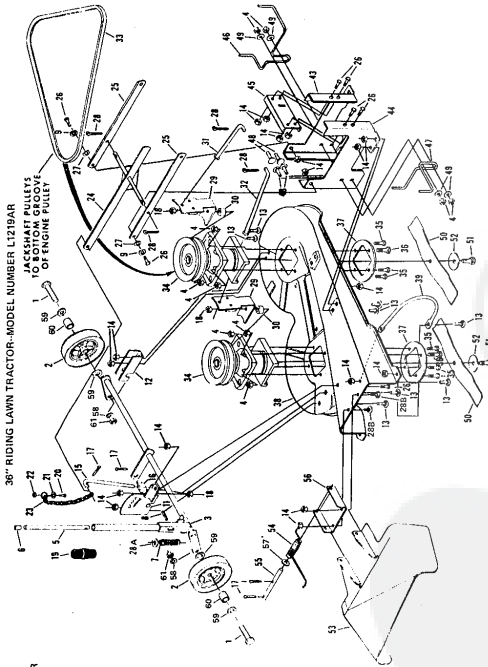
#### CHASSIS

REF. NO.	PART NO.	DESCRIPTION
1	3000P	Front B.R.H.
2	3000P	Rear Cover
3	1538L	Front B.R.H.
4	1540L	Rear B.R.H.
5	1540L	Rear B.R.H.
6	5710P	Nut, Lock 5/16 - 18 UNC
7	5710P	Nut, Lock 5/16 - 18 UNC
8	3000P	Bolt, Hex Head 5/16 - 18 x 1/2
9	3000P	Bolt, Hex Head 5/16 - 18 x 1/2
10	1133L	Washer, 1/2 x 3/4 x 3/4
11	1133L	Washer, 1/2 x 3/4 x 3/4
12	1133L	Washer, 1/2 x 3/4 x 3/4
13	3000P	Bolt, Hex Head 5/16 - 18 x 1/2
14	3000P	Bolt, Hex Head 5/16 - 18 x 1/2
15	1540P	Washer, 1/2 x 3/4 x 3/4
16	1540P	Washer, 1/2 x 3/4 x 3/4
17	3000P	Bolt, Hex Head 5/16 - 18 x 1/2
18	3000P	Bolt, Hex Head 5/16 - 18 x 1/2
19	3000P	Bolt, Hex Head 5/16 - 18 x 1/2
20	7200P	Transaxle Support
21	3000P	Bolt, Hex Head 5/16 - 18 x 1/2
22	3000P	Bolt, Hex Head 5/16 - 18 x 1/2
23	1750L	Cover Plate, 1/2 x 1-1/8
24	5000P	Washer, 1/2 x 3/4 x 3/4
25	67742P	Chassis Cover
26	67742P	Chassis Cover
27	71108	Washer, 1/2 x 3/4 x 1/4 Ga.
28	71108	Washer, 1/2 x 3/4 x 1/4 Ga.
29	71108	Washer, 1/2 x 3/4 x 1/4 Ga.
30	71008	Washer, 1/2 x 3/4 x 1/4 Ga.
31	71008	Washer, 1/2 x 3/4 x 1/4 Ga.
32	1610P	Washer, 1/2 x 3/4 x 1/4 Ga.
33	1610P	Washer, 1/2 x 3/4 x 1/4 Ga.
34	500P	Spring
35	500P	Spring
36	500P	Spring
37	500P	Spring
38	500P	Spring
39	500P	Spring
40	500P	Spring
41	500P	Spring
42	500P	Spring
43	500P	Spring
44	500P	Spring
45	7200P	Transaxle Support
46	7200P	Transaxle Support
47	7200P	Transaxle Support
48	7200P	Transaxle Support
49	7200P	Transaxle Support
50	7200P	Transaxle Support
51	7200P	Transaxle Support
52	7200P	Transaxle Support
53	7200P	Transaxle Support
54	7200P	Transaxle Support
55	4832H	Locknut No. 10 - 24 UNC
56	4832H	Locknut No. 10 - 24 UNC
57	3000P	Bolt, Hex Head 5/16 - 18 x 1/2
58	6002J	Deck - Headlight
59	500P	Spring
60	6753R	Head Light Pin
61	6753R	Head Light Pin
62	1134L	Deck - DASH, L.H.
63	1134L	Deck - DASH, L.H.
64	225J	Deck - DASH, R.H.
65	225J	Deck - DASH, R.H.
66	6002J	Deck - DASH, R.H.
67	6002J	Deck - DASH, R.H.

\*STANDARD HARDWARE - PURCHASE LOCALLY

**REPAIR PARTS**

MOWER



38" RIDING LAWN TRACTOR—MODEL NUMBER L1219AR

**REPAIR PARTS**

MOWER

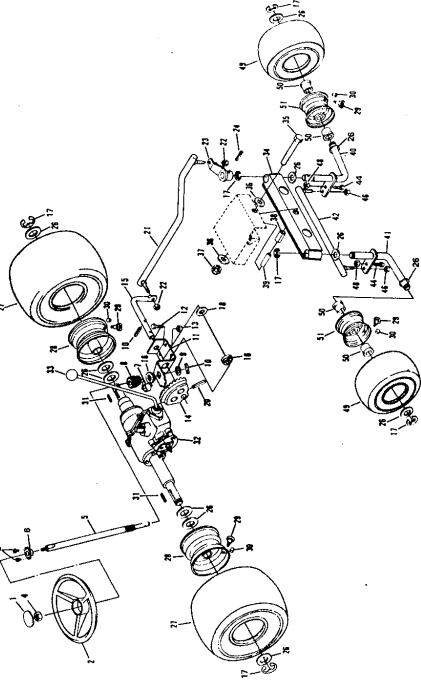
38" RIDING LAWN TRACTOR—MODEL NUMBER L1219AR

REF. NO.	PART NO.	DESCRIPTION	REF. NO.	PART NO.	DESCRIPTION
1	3198P	Hex Bolt 3/8" x 2 1/2" - 24 Gr. 5	29	877A46	Brake Assembly
2	877A134	Front Rod Assembly	30	877A47	Brake Disc
3	165J1	Nut, Lock 3/8" - 16 UNC	31	71525	Brake Rod - R.H.
4	849R8	Cap - Lever Plunger	32	71524	Brake Rod - L.H.
5	850R1	Pin - Drive Lock	33	877A181	Jackshaft Assembly
6	850R1	Pin - Drive Lock	34	877A181	Jackshaft Assembly
7	87327	Outer Pin 1.022 x 3/4 x 16 Ga.	35	3023P	Pin - Hex Head 3/8" - 16 x 1.12
8	87327	Outer Pin 1.022 x 3/4 x 16 Ga.	36	3023P	Pin - Hex Head 3/8" - 16 x 1.12
9	87327	Outer Pin 1.022 x 3/4 x 16 Ga.	37	71575	Pin - Hex Head 3/8" - 16 x 1.12
10	87327	Outer Pin 1.022 x 3/4 x 16 Ga.	38	71647	Housing Stud
11	87327	Outer Pin 1.022 x 3/4 x 16 Ga.	39	71647	Housing Stud
12	87327	Outer Pin 1.022 x 3/4 x 16 Ga.	40	71647	Housing Stud
13	87327	Outer Pin 1.022 x 3/4 x 16 Ga.	41	71647	Housing Stud
14	87327	Outer Pin 1.022 x 3/4 x 16 Ga.	42	71647	Housing Stud
15	87327	Outer Pin 1.022 x 3/4 x 16 Ga.	43	71647	Housing Stud
16	87327	Outer Pin 1.022 x 3/4 x 16 Ga.	44	71647	Housing Stud
17	87327	Outer Pin 1.022 x 3/4 x 16 Ga.	45	71647	Housing Stud
18	87327	Outer Pin 1.022 x 3/4 x 16 Ga.	46	71647	Housing Stud
19	87327	Outer Pin 1.022 x 3/4 x 16 Ga.	47	71647	Housing Stud
20	87327	Outer Pin 1.022 x 3/4 x 16 Ga.	48	71647	Housing Stud
21	87327	Outer Pin 1.022 x 3/4 x 16 Ga.	49	71647	Housing Stud
22	87327	Outer Pin 1.022 x 3/4 x 16 Ga.	50	71647	Housing Stud
23	87327	Outer Pin 1.022 x 3/4 x 16 Ga.	51	71647	Housing Stud
24	87327	Outer Pin 1.022 x 3/4 x 16 Ga.	52	71647	Housing Stud
25	87327	Outer Pin 1.022 x 3/4 x 16 Ga.	53	71647	Housing Stud
26	87327	Outer Pin 1.022 x 3/4 x 16 Ga.	54	71647	Housing Stud
27	87327	Outer Pin 1.022 x 3/4 x 16 Ga.	55	71647	Housing Stud
28	87327	Outer Pin 1.022 x 3/4 x 16 Ga.	56	71647	Housing Stud
29	87327	Outer Pin 1.022 x 3/4 x 16 Ga.	57	71647	Housing Stud
30	87327	Outer Pin 1.022 x 3/4 x 16 Ga.	58	71647	Housing Stud
31	87327	Outer Pin 1.022 x 3/4 x 16 Ga.	59	71647	Housing Stud
32	87327	Outer Pin 1.022 x 3/4 x 16 Ga.	60	71647	Housing Stud
33	87327	Outer Pin 1.022 x 3/4 x 16 Ga.	61	71647	Housing Stud

\* STANDARD HARDWARE—PURCHASE LOCALLY

**REPAIR PARTS**

STEERING AND WHEELS



36" RIDING LAWN TRACTOR—MODEL NUMBER L1219AR

**REPAIR PARTS**

STEERING AND WHEELS

36" RIDING LAWN TRACTOR—MODEL NUMBER L1219AR

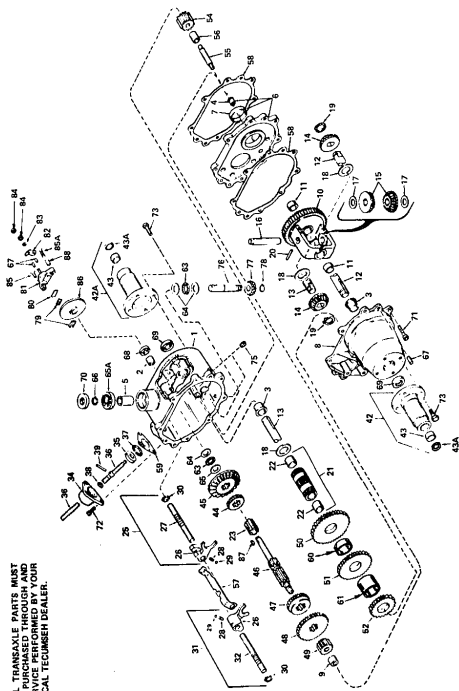
REF. NO.	PART NO.	DESCRIPTION	REF. NO.	PART NO.	DESCRIPTION
1	1114J	Steering Wheel Insert	29	86139	Valve Stem
2	506J	Steering Wheel	30	59192	Valve Cup
3	506J	Steering Wheel	31	794151A	Transaxle Assembly Model 143.68A
4	506J	Steering Wheel	32	794151A	Transaxle Assembly Model 143.68A
5	1554J	Ball Joint	33	55862	Rocker Bar Assembly (See Pages 24 and 25)
6	1554J	Ball Joint	34	877A81	Rocker Bar Assembly (See Pages 24 and 25)
7	1554J	Ball Joint	35	877A81	Rocker Bar Assembly (See Pages 24 and 25)
8	74851	Pin - Hex Head 3/8" - 16 x 1.12	36	1813P	Wheel, 17/32" x 7/8" x 16 Ga.
9	74851	Pin - Hex Head 3/8" - 16 x 1.12	37	87151	Wheel, 17/32" x 7/8" x 16 Ga.
10	5237P	Spring Pin 3/16" x 11 Ga.	38	87151	Wheel, 17/32" x 7/8" x 16 Ga.
11	5237P	Spring Pin 3/16" x 11 Ga.	39	71188	Pin - Spacer
12	5237P	Spring Pin 3/16" x 11 Ga.	40	72237	Kingpin Assembly - L.H.
13	5237P	Spring Pin 3/16" x 11 Ga.	41	72237	Kingpin Assembly - R.H.
14	5237P	Spring Pin 3/16" x 11 Ga.	42	72237	Kingpin Assembly - L.H.
15	5237P	Spring Pin 3/16" x 11 Ga.	43	72237	Kingpin Assembly - R.H.
16	5237P	Spring Pin 3/16" x 11 Ga.	44	3021P	Pin - Lock 5/16" - 18 UNC
17	5237P	Spring Pin 3/16" x 11 Ga.	45	3021P	Pin - Lock 5/16" - 18 UNC
18	5237P	Spring Pin 3/16" x 11 Ga.	46	582P	Pin - Hex Head 3/8" - 16 x 3/4
19	5237P	Spring Pin 3/16" x 11 Ga.	47	582P	Pin - Hex Head 3/8" - 16 x 3/4
20	5237P	Spring Pin 3/16" x 11 Ga.	48	71851	Nut, Lock 5/16" - 24 UNF
21	5237P	Spring Pin 3/16" x 11 Ga.	49	71851	Nut, Lock 5/16" - 24 UNF
22	5237P	Spring Pin 3/16" x 11 Ga.	50	71851	Nut, Lock 5/16" - 24 UNF
23	5237P	Spring Pin 3/16" x 11 Ga.	51	877A88	Rim - Adv. (See Ref. No. 50)
24	5237P	Spring Pin 3/16" x 11 Ga.			
25	5237P	Spring Pin 3/16" x 11 Ga.			
26	5237P	Spring Pin 3/16" x 11 Ga.			
27	5237P	Spring Pin 3/16" x 11 Ga.			
28	5237P	Spring Pin 3/16" x 11 Ga.			
29	5237P	Spring Pin 3/16" x 11 Ga.			
30	5237P	Spring Pin 3/16" x 11 Ga.			
31	5237P	Spring Pin 3/16" x 11 Ga.			
32	5237P	Spring Pin 3/16" x 11 Ga.			
33	5237P	Spring Pin 3/16" x 11 Ga.			
34	5237P	Spring Pin 3/16" x 11 Ga.			
35	5237P	Spring Pin 3/16" x 11 Ga.			
36	5237P	Spring Pin 3/16" x 11 Ga.			
37	5237P	Spring Pin 3/16" x 11 Ga.			
38	5237P	Spring Pin 3/16" x 11 Ga.			
39	5237P	Spring Pin 3/16" x 11 Ga.			
40	5237P	Spring Pin 3/16" x 11 Ga.			
41	5237P	Spring Pin 3/16" x 11 Ga.			
42	5237P	Spring Pin 3/16" x 11 Ga.			
43	5237P	Spring Pin 3/16" x 11 Ga.			
44	5237P	Spring Pin 3/16" x 11 Ga.			
45	5237P	Spring Pin 3/16" x 11 Ga.			
46	5237P	Spring Pin 3/16" x 11 Ga.			
47	5237P	Spring Pin 3/16" x 11 Ga.			
48	5237P	Spring Pin 3/16" x 11 Ga.			
49	5237P	Spring Pin 3/16" x 11 Ga.			
50	5237P	Spring Pin 3/16" x 11 Ga.			
51	5237P	Spring Pin 3/16" x 11 Ga.			

\* STANDARD HARDWARE—PURCHASE LOCALLY

**REPAIR PARTS**

36" RIDING LAWN TRACTOR-MODEL NUMBER L1219A  
TRANSAKLE-MODEL NUMBER 143.658A

ALL TRANSAKLE PARTS MUST BE PURCHASED THROUGH YOUR LOCAL TECUMSEH DEALER.



**REPAIR PARTS**

36" RIDING LAWN TRACTOR-MODEL NUMBER L1219A  
TRANSAKLE-MODEL NUMBER 143.658A

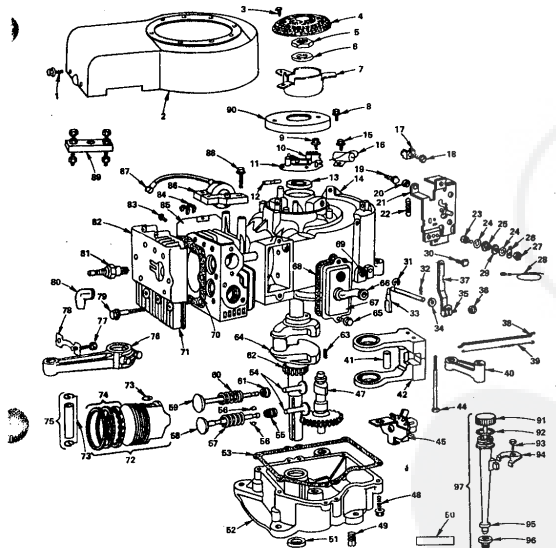
KEY NO.	PART NO.	DESCRIPTION
1	78491A	Complete Transakle
2	78003	Case Assy., Transakle (Inc. No's. 2, 3 & 9)
3	78008	Housing, Blower
4	78009	Bearing, Bronze
5	78010	Bearing, Bronze
6	78011	Bearing, Bronze
7	78012	Bearing, Bronze
8	78013	Shaft, Reverse Idler
9	78014	Shaft, Reverse Idler
10	78015	Shaft, Reverse Idler
11	78016	Shaft, Reverse Idler
12	78017	Shaft, Reverse Idler
13	78018	Shaft, Reverse Idler
14	78019	Shaft, Reverse Idler
15	78020	Shaft, Reverse Idler
16	78021	Shaft, Reverse Idler
17	78022	Shaft, Reverse Idler
18	78023	Shaft, Reverse Idler
19	78024	Shaft, Reverse Idler
20	78025	Shaft, Reverse Idler
21	78026	Shaft, Reverse Idler
22	78027	Shaft, Reverse Idler
23	78028	Shaft, Reverse Idler
24	78029	Shaft, Reverse Idler
25	78030	Shaft, Reverse Idler
26	78031	Shaft, Reverse Idler
27	78032	Shaft, Reverse Idler
28	78033	Shaft, Reverse Idler
29	78034	Shaft, Reverse Idler
30	78035	Shaft, Reverse Idler
31	78036	Shaft, Reverse Idler
32	78037	Shaft, Reverse Idler
33	78038	Shaft, Reverse Idler
34	78039	Shaft, Reverse Idler
35	78040	Shaft, Reverse Idler
36	78041	Shaft, Reverse Idler
37	78042	Shaft, Reverse Idler
38	78043	Shaft, Reverse Idler
39	78044	Shaft, Reverse Idler
40	78045	Shaft, Reverse Idler
41	78046	Shaft, Reverse Idler
42	78047	Shaft, Reverse Idler
43	78048	Shaft, Reverse Idler
44	78049	Shaft, Reverse Idler
45	78050	Shaft, Reverse Idler
46	78051	Shaft, Reverse Idler
47	78052	Shaft, Reverse Idler
48	78053	Shaft, Reverse Idler
49	78054	Shaft, Reverse Idler
50	78055	Shaft, Reverse Idler
51	78056	Shaft, Reverse Idler
52	78057	Shaft, Reverse Idler
53	78058	Shaft, Reverse Idler
54	78059	Shaft, Reverse Idler
55	78060	Shaft, Reverse Idler
56	78061	Shaft, Reverse Idler
57	78062	Shaft, Reverse Idler
58	78063	Shaft, Reverse Idler
59	78064	Shaft, Reverse Idler
60	78065	Shaft, Reverse Idler
61	78066	Shaft, Reverse Idler
62	78067	Shaft, Reverse Idler
63	78068	Shaft, Reverse Idler
64	78069	Shaft, Reverse Idler
65	78070	Shaft, Reverse Idler
66	78071	Shaft, Reverse Idler
67	78072	Shaft, Reverse Idler
68	78073	Shaft, Reverse Idler
69	78074	Shaft, Reverse Idler
70	78075	Shaft, Reverse Idler
71	78076	Shaft, Reverse Idler
72	78077	Shaft, Reverse Idler
73	78078	Shaft, Reverse Idler
74	78079	Shaft, Reverse Idler
75	78080	Shaft, Reverse Idler
76	78081	Shaft, Reverse Idler
77	78082	Shaft, Reverse Idler
78	78083	Shaft, Reverse Idler
79	78084	Shaft, Reverse Idler
80	78085	Shaft, Reverse Idler
81	78086	Shaft, Reverse Idler
82	78087	Shaft, Reverse Idler
83	78088	Shaft, Reverse Idler
84	78089	Shaft, Reverse Idler
85	78090	Shaft, Reverse Idler
86	78091	Shaft, Reverse Idler
87	78092	Shaft, Reverse Idler
88	78093	Shaft, Reverse Idler
89	78094	Shaft, Reverse Idler
90	78095	Shaft, Reverse Idler
91	78096	Shaft, Reverse Idler
92	78097	Shaft, Reverse Idler
93	78098	Shaft, Reverse Idler
94	78099	Shaft, Reverse Idler
95	78100	Shaft, Reverse Idler
96	78101	Shaft, Reverse Idler
97	78102	Shaft, Reverse Idler

**REPAIR PARTS**

36" RIDING LAWN TRACTOR-MODEL NUMBER L1219A  
BRIGGS & STRATTON 11 H.P. ENGINE-MODEL NO. 252707, TYPE NO. 0172-01

**CYLINDER, CRANKSHAFT AND ENGINE BASE GROUP**

ALL ENGINE PARTS MUST BE PURCHASED THROUGH AND SERVICE PERFORMED BY YOUR LOCAL BRIGGS AND STRATTON DEALER.



**REPAIR PARTS**

36" RIDING LAWN TRACTOR-MODEL NUMBER L1219A  
BRIGGS & STRATTON 11 H.P. ENGINE-MODEL NO. 252707, TYPE NO. 0172-01

**CYLINDER, CRANKSHAFT AND ENGINE BASE GROUP**

KEY NO.	PART NO.	DESCRIPTION	KEY NO.	PART NO.	DESCRIPTION
1	93158	Screw - Blower Housing Mounting Sem	51	991675	Seal - Oil
2	93159	Screw - Sem	52	391784	Gasket - Crankcase Cover - 105" Thick
3	223502	Screen - Fuel Rotating	53	270808	Gasket - Crankcase Cover - 105" Thick
4	82284	Nut - Hex	54	270818	Gasket - Crankcase Cover - 105" Thick
5	222565	Washer - Spring	55	292250	Tappet Valve
6	222561	Spring - Mounting	56	292250	Retainer - Exhaust Valve
7	93214	Screw - Sem	57	292250	Retainer - Exhaust Valve
8	93276	Screw - Breaker Adjusting Sem	58	292250	Retainer - Exhaust Valve
9	29019	Spring - Breaker Arm	59	292250	Retainer - Exhaust Valve
10	391284	Breaker Assy. - Ignition (Inc. No. 10)	60	63086	Spring - Intake Valve
11	65104	Plunger - Breaker Point	61	221506	Retainer - Intake Valve
12	391086	Seal - Oil	62	391704	Key - Flywheel
13	391086	Seal - Oil	63	61760	Crankshaft
14	391086	Seal - Oil	64	93394	Screw - Sem
15	93042	Cylinder Assy. - (Inc. No. 13)	65	203100	Tail - Breather
16	391792	Condenser	66	391408	Breather Assembly
17	221535	Clamp - Casing	67	21863	Gasket - Valve Cover
18	93486	Screw - Sem	68	221065	Bushing - Gov. Crank (1/4" I.D.)
19	93486	Screw - Control Bracket Mounting	69	271075	Gasket - Cylinder Head
20	231039	Spacer - Control Bracket Mounting	70	212000	Head - Cylinder
21	390622	Plate - Gov. Control	71	391285	Piston Assy. - Standard (Inc. No's. 73 & 74)
22	261305	Spring - Governor	72	391287	Piston Assy. - 010" O.S.
23	81920	Screw - Terminal	73	391288	Piston Assy. - 020" O.S.
24	92791	Washer - Lock - Shakeproof	74	391289	Piston Assy. - 030" O.S.
25	86554	Collar - Insulating	75	269504	Lock - Piston Pin
26	93722	Terminal - Spade	76	391780	Ring Set - Piston - Std.
27	90676	Nut - Hex 8-32	77	391781	Ring Set - Piston - 010" O.S.
28	391802	Wire - Ground	78	391782	Ring Set - Piston - 020" O.S.
29	66958	Washer - Insulating	79	391783	Ring Set - Piston - 030" O.S.
30	93572	Washer - E-Ring	80	296691	Pin Assy. - Piston - Std. (Inc. No. 73)
31	93287	Retainer - E-Ring	81	391785	Pin Assy. - Piston - 010" O.S.
32	93306	Cotter - Hair Pin	82	391775	Rod Assy. - Connecting (Inc. 77 & 78)
33	231058	Crank - Governor (1/4" Dia.)	83	92669	Screw - Conn. Rod
34	222450	Washer - Gov. Crank (1/4" I.D.)	84	391775	Lock - Conn. Rod Screw
35	86513	Soft - Governor Lever	85	222259	Screw - Cylinder Head (Long)
36	231082	Nut - Hex 10-24	86	92723	NOTE: 93781 Stud - Cylinder Head
37	391733	Lever Assy. - Governor (for 1/4" Dia. Crank) (Inc. No's. 35 & 36)	87	66538	Elbow - Spark Plug
38	261186	Link - Governor	88	222275	Plug - Spark (1 1/2" High - 37 - 42 MM)
39	291197	Spring - Governor Link	89	298809	NOTE: Spark Plugs use Ignition Cable
40	211875	Link - Counterweight	90	222744	Terminal No. 221788
41	286205	Pin - Counterweight	91	221788	Cover - Cylinder Head
42	391373	Counterweight Assy. (Inc. No. 41)	92	93163	Screw - Cylinder Shield Mfg. Sem
43	93275	Screw - Counterweight	93	93668	Clip - Cylinder
44	391764	Oil Slinger, Gov. Gear & Bracket Assy.	94	93668	Armature Assy.
45	212795	Gear - Cam	95	18203	Terminal - Ignition Cable
46	93585	Screw - Sump Mounting Sem	96	222309	Screw - Armature Mounting Sem
47	91094	Plug - Oil Drain	97	391841	Puller - Flywheel
48	393411	Gasket Set	98	270820	Cover - Breaker Point
			99	391841	Cap and Discock - Oil Filter
			100	270820	Seal - Filter Cap
			101	93904	Screw - Clamp Mfg.
			102	222502	Clamp - Oil Filter Tube
			103	93014	Tube - Oil Filter
			104	93014	Tube - Oil Filter
			105	93014	Tube - Oil Filter
			106	93014	Tube - Oil Filter
			107	93014	Tube - Oil Filter
			108	93014	Tube - Oil Filter
			109	93014	Tube - Oil Filter
			110	93014	Tube - Oil Filter
			111	93014	Tube - Oil Filter
			112	93014	Tube - Oil Filter
			113	93014	Tube - Oil Filter
			114	93014	Tube - Oil Filter
			115	93014	Tube - Oil Filter
			116	93014	Tube - Oil Filter
			117	93014	Tube - Oil Filter
			118	93014	Tube - Oil Filter
			119	93014	Tube - Oil Filter
			120	93014	Tube - Oil Filter
			121	93014	Tube - Oil Filter
			122	93014	Tube - Oil Filter
			123	93014	Tube - Oil Filter
			124	93014	Tube - Oil Filter
			125	93014	Tube - Oil Filter
			126	93014	Tube - Oil Filter
			127	93014	Tube - Oil Filter
			128	93014	Tube - Oil Filter
			129	93014	Tube - Oil Filter
			130	93014	Tube - Oil Filter
			131	93014	Tube - Oil Filter
			132	93014	Tube - Oil Filter
			133	93014	Tube - Oil Filter
			134	93014	Tube - Oil Filter
			135	93014	Tube - Oil Filter
			136	93014	Tube - Oil Filter
			137	93014	Tube - Oil Filter
			138	93014	Tube - Oil Filter
			139	93014	Tube - Oil Filter
			140	93014	Tube - Oil Filter
			141	93014	Tube - Oil Filter
			142	93014	Tube - Oil Filter
			143	93014	Tube - Oil Filter
			144	93014	Tube - Oil Filter
			145	93014	Tube - Oil Filter
			146	93014	Tube - Oil Filter
			147	93014	Tube - Oil Filter
			148	93014	Tube - Oil Filter
			149	93014	Tube - Oil Filter
			150	93014	Tube - Oil Filter

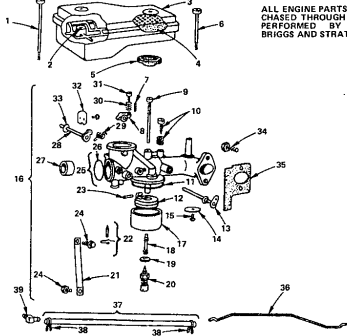
\*STANDARD HARDWARE-PURCHASE LOCALLY



**REPAIR PARTS**

36" RIDING LAWN TRACTOR - MODEL NUMBER L1219AR  
BRIGGS & STRATTON 11 H.P. ENGINE - MODEL NO. 252707, TYPE NO. 0172-01

**AIR CLEANER AND CARBURETOR**



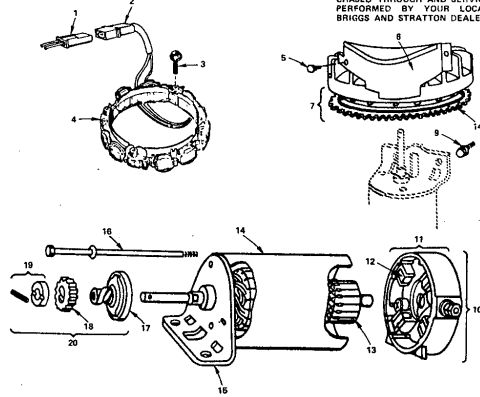
ALL ENGINE PARTS MUST BE PURCHASED THROUGH AND SERVICE PERFORMED BY YOUR LOCAL BRIGGS AND STRATTON DEALER.

KEY NO.	PART NO.	DESCRIPTION	KEY NO.	PART NO.	DESCRIPTION
1	93323	Screw - Air Cleaner	24	93572	Screw
2	280118	Support - Air Cleaner Element	25	391787	Body Ass'y. - Carburetor (Inc. No. 26)
3	391786	Cleaner Ass'y. - Air (Inc. No's. 2 & 4)	26	221997	*Plug - Wash
4	270843	Element - Air Cleaner	27	211960	Venturi - Carburetor
5	270853	Gasket - Air Cleaner	28	390894	Shaft & Lever - Choke
6	93322	Screw - Air Cleaner	29	261115	Spring - Choke Return
7	93043	Pin - Throttle Stop	30	26157	Spring - Throttle Adjustment
8	211712	Stop - Throttle	31	91520	Screw - Machine, Flat, Hd. 8 - 32 x 5/8"
9	296740	Nozzle - Carburetor	32	222010	Valve Choke
10	292681	*Valve Ass'y. - Carburetor Idle	33	270382	Washer - Choke Shaft
11	270811	*Gasket - Float Bowl	34	93321	Screw - Carburetor Mtg.
12	299707	Float - Carburetor	35	270872	*Gasket - Carburetor Mtg.
13	391512	Shaft & Lever - Throttle	36	291224	Link - Choke
14	222858	Valve - Throttle	37	296004	Pipe - Fuel (Inc. No. 38)
15	93499	Screw - Throttle & Choke Valve Mtg.	38	93053	Clamp - Fuel Pipe
16	393410	Carburetor Ass'y. (Choke-A-Matic) (Inc. No's. 7 thru 23)	39	67218	Connector - Fuel Pipe
17	221998	Bowl - Float			
18	230652	*Screw - Nozzle			*INCLUDED IN CARBURETOR OVERHAUL KIT - PART NO. 299852
19	222014	*Washer - Float Bowl			*INCLUDED IN GASKET SET - PART NO. 393411
20	391233	*Valve - Needle			
21	222311	Bracket - Carburetor			
22	290098	*Valve - Fuel Inlet			
23	230096	*Pin - Float Hinge			

**REPAIR PARTS**

36" RIDING LAWN TRACTOR - MODEL NUMBER L1219AR  
BRIGGS & STRATTON 11 H.P. ENGINE - MODEL NO. 252707, TYPE NO. 0172-01

**ALTERNATOR AND STARTER MOTOR GROUP**

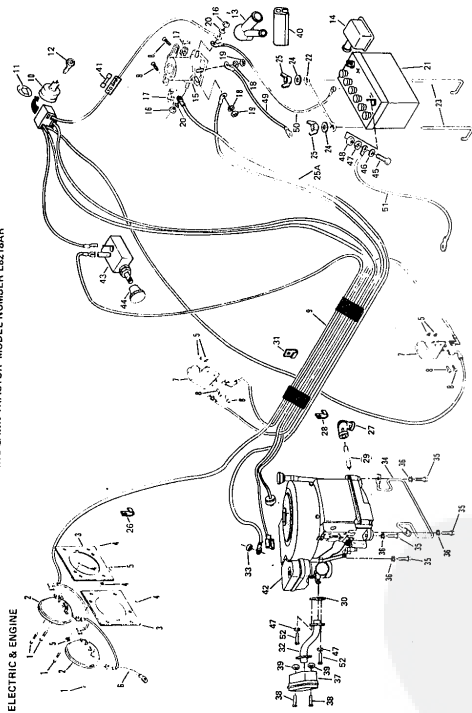


ALL ENGINE PARTS MUST BE PURCHASED THROUGH AND SERVICE PERFORMED BY YOUR LOCAL BRIGGS AND STRATTON DEALER.

KEY NO.	PART NO.	DESCRIPTION	KEY NO.	PART NO.	DESCRIPTION
1	393362	Alt. Harness Assembly	10	392749	Motor and Drive Ass'y. (12 Volt) (Inc. No's. 11 thru 20)
2	393456	Diode and Conn. Assembly	11	390846	End Cap Ass'y. Commutator (Inc. No. 12)
3	93621	Screw - Set	12	391705	Brush Ass'y.
4	394474	Stator - Alternator	13	390233	Armature Ass'y.
5	53410	Screw - Set	14	292744	Housing Ass'y.
6	390233	Cover and Shield - Starter	15	392061	End Cap Ass'y. Drive
7	391698	Flywheel & Ring Gear Ass'y. - Magneto (Inc. No. 14)	16	391705	Thru Bolt Ass'y.
8	393134	Gear - Ring (Inc. Mounting Parts)	17	391135	Catch Ass'y.
9	93623	Screw - Set	18	280104	Gear
			19	391462	Retainer & Pin
			20	391461	Drive Ass'y. (Inc. No's. 17, 18 & 19)

**REPAIR PARTS**

**ELECTRIC & ENGINE**



**REPAIR PARTS**

**ELECTRIC & ENGINE**

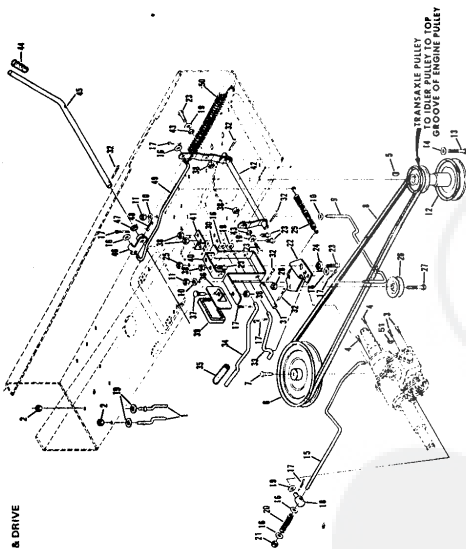
KEY NO.	PART NO.	DESCRIPTION	KEY NO.	PART NO.	DESCRIPTION
1	65421	Screw, Machine Truss Head	27	4017P	Sd. Elbow 90° 3/8 - 18 NPT
2	6452R	Washer, 1/2 x 1	28	3245R	Insulated Clip
3	23005	Headlight Support - 24	29	27144	Exhaust Gasket
4	661P	Nut, 1/2 x 10 - 24	30	27144	Exhaust Gasket
5	661P	Nut, 1/2 x 10 - 24	31	27144	Exhaust Gasket
6	661P	Nut, 1/2 x 10 - 24	32	27144	Exhaust Gasket
7	7758R	Safety Switch	33	59480	Screw, Hex, Hd. Thru, Rolling
8	3359P	Screw, Machine Phillips Head	34	5968P	*Washer Lock 3/8
9	478	Wire Harness	35	1004P	Washer Lock 3/8
10	8557R	Terminal Identifier	36	2715	Marbler
11	8557R	Terminal Identifier	37	2715	Marbler
12	2522H	Key-Set (Over) (Dual)	38	5492Z	Nut, Lock 5/16 - 18
13	2522H	Key-Set (Over) (Dual)	39	5492Z	Nut, Lock 5/16 - 18
14	2522H	Key-Set (Over) (Dual)	40	5492Z	Nut, Lock 5/16 - 18
15	2522H	Key-Set (Over) (Dual)	41	5347R	Frame - 20 Arms
16	5398R	*Nut, Hex Jam 5/16 - 24	42	191707	Engine - Briggs and Stratton 8 H.P. (Inc. Paper 25 thru 28)
17	60881	Nut, Speed No. 10 - 24	43	7738R	Light Switch
18	5439P	*Nut, Hex No. 10 - 32	44	1506P	*Washer 9/32 x 5/8 x 1/8 Gh.
19	5439P	*Nut, Hex No. 10 - 32	45	2003P	*Hex Nut 1/4 - 20 x 3/4
20	2282P	Washer, 3/8 x 7/8 x .063	46	8039P	*Hex Nut 1/4 - 20
21	2282P	Washer, 3/8 x 7/8 x .063	47	8039P	*Hex Nut 1/4 - 20
22	2282P	Washer, 3/8 x 7/8 x .063	48	8039P	*Hex Nut 1/4 - 20
23	2282P	Washer, 3/8 x 7/8 x .063	49	8039P	*Hex Nut 1/4 - 20
24	2282P	Washer, 3/8 x 7/8 x .063	50	8039P	*Hex Nut 1/4 - 20
25	2282P	Washer, 3/8 x 7/8 x .063	51	8039P	*Hex Nut 1/4 - 20
26	2282P	Washer, 3/8 x 7/8 x .063	52	8039P	*Hex Nut 1/4 - 20
			53	8039P	*Hex Nut 1/4 - 20
			54	8039P	*Hex Nut 1/4 - 20
			55	8039P	*Hex Nut 1/4 - 20
			56	8039P	*Hex Nut 1/4 - 20
			57	8039P	*Hex Nut 1/4 - 20
			58	8039P	*Hex Nut 1/4 - 20
			59	8039P	*Hex Nut 1/4 - 20
			60	8039P	*Hex Nut 1/4 - 20
			61	8039P	*Hex Nut 1/4 - 20
			62	8039P	*Hex Nut 1/4 - 20
			63	8039P	*Hex Nut 1/4 - 20
			64	8039P	*Hex Nut 1/4 - 20
			65	8039P	*Hex Nut 1/4 - 20
			66	8039P	*Hex Nut 1/4 - 20
			67	8039P	*Hex Nut 1/4 - 20
			68	8039P	*Hex Nut 1/4 - 20
			69	8039P	*Hex Nut 1/4 - 20
			70	8039P	*Hex Nut 1/4 - 20
			71	8039P	*Hex Nut 1/4 - 20
			72	8039P	*Hex Nut 1/4 - 20
			73	8039P	*Hex Nut 1/4 - 20
			74	8039P	*Hex Nut 1/4 - 20
			75	8039P	*Hex Nut 1/4 - 20
			76	8039P	*Hex Nut 1/4 - 20
			77	8039P	*Hex Nut 1/4 - 20
			78	8039P	*Hex Nut 1/4 - 20
			79	8039P	*Hex Nut 1/4 - 20
			80	8039P	*Hex Nut 1/4 - 20
			81	8039P	*Hex Nut 1/4 - 20
			82	8039P	*Hex Nut 1/4 - 20
			83	8039P	*Hex Nut 1/4 - 20
			84	8039P	*Hex Nut 1/4 - 20
			85	8039P	*Hex Nut 1/4 - 20
			86	8039P	*Hex Nut 1/4 - 20
			87	8039P	*Hex Nut 1/4 - 20
			88	8039P	*Hex Nut 1/4 - 20
			89	8039P	*Hex Nut 1/4 - 20
			90	8039P	*Hex Nut 1/4 - 20
			91	8039P	*Hex Nut 1/4 - 20
			92	8039P	*Hex Nut 1/4 - 20
			93	8039P	*Hex Nut 1/4 - 20
			94	8039P	*Hex Nut 1/4 - 20
			95	8039P	*Hex Nut 1/4 - 20
			96	8039P	*Hex Nut 1/4 - 20
			97	8039P	*Hex Nut 1/4 - 20
			98	8039P	*Hex Nut 1/4 - 20
			99	8039P	*Hex Nut 1/4 - 20
			100	8039P	*Hex Nut 1/4 - 20

\*STANDARD HARDWARE PURCHASE LOCALLY



**REPAIR PARTS**

36" RIDING LAWN TRACTOR—MODEL NUMBER LZ21BAR  
CLUTCH BRAKE & DRIVE



**REPAIR PARTS**

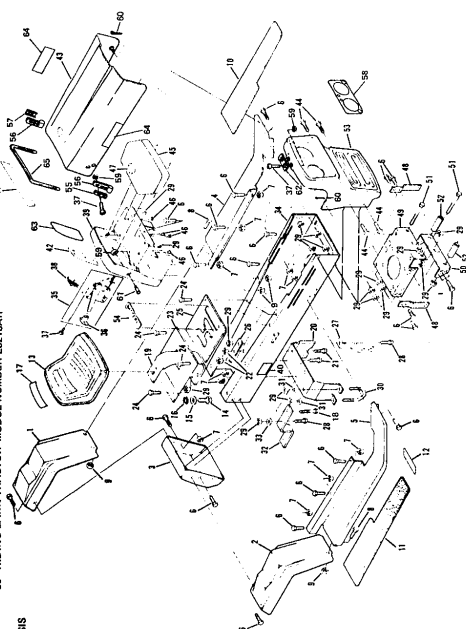
36" RIDING LAWN TRACTOR—MODEL NUMBER LZ21BAR  
CLUTCH BRAKE & DRIVE

KEY PART NO.	DESCRIPTION	KEY PART NO.	DESCRIPTION
1	Roller Guide	23	*Nut, Hex Head 5/16 - 18 x 3/4
2	*Nut, Lock 5/16 - 18	24	Roller
3	Screw, Hex Head w/Washer	25	*Nut, Lock 5/16 - 18
4	Screw, Hex Head w/Washer	26	*Nut, Hex Head 3/8 - 16 x 1 - 1/2
5	*Key, Woodruff No. 6	27	*Spring, 1.50"
6	*Pulley, Transaxle	28	*Spring, 1.50"
7	*Washer, 3/8 x .750 x .063	29	*Center Pin, 1/8 x 1
8	*Washer, 3/8 x .750 x .063	30	*Park Brake Rod
9	*Washer, 3/8 x .750 x .063	31	*Park Brake Rod
10	*Washer, 3/8 x .750 x .063	32	*Washer, 3/8 x .750 x .063
11	*Washer, 3/8 x .750 x .063	33	*Washer, 3/8 x .750 x .063
12	*Washer, 3/8 x .750 x .063	34	*Washer, 3/8 x .750 x .063
13	*Washer, 3/8 x .750 x .063	35	*Washer, 3/8 x .750 x .063
14	*Washer, 3/8 x .750 x .063	36	*Washer, 3/8 x .750 x .063
15	*Washer, 3/8 x .750 x .063	37	*Washer, 3/8 x .750 x .063
16	*Washer, 3/8 x .750 x .063	38	*Washer, 3/8 x .750 x .063
17	*Washer, 3/8 x .750 x .063	39	*Washer, 3/8 x .750 x .063
18	*Washer, 3/8 x .750 x .063	40	*Washer, 3/8 x .750 x .063
19	*Washer, 3/8 x .750 x .063	41	*Washer, 3/8 x .750 x .063
20	*Washer, 3/8 x .750 x .063	42	*Washer, 3/8 x .750 x .063
21	*Washer, 3/8 x .750 x .063	43	*Washer, 3/8 x .750 x .063
22	*Washer, 3/8 x .750 x .063	44	*Washer, 3/8 x .750 x .063

\*STANDARD HARDWARE—PURCHASE LOCALLY

**REPAIR PARTS**

36" RIDING LAWN TRACTOR—MODEL NUMBER LZ21BAR  
CHASSIS



**REPAIR PARTS**

36" RIDING LAWN TRACTOR—MODEL NUMBER LZ21BAR  
CHASSIS

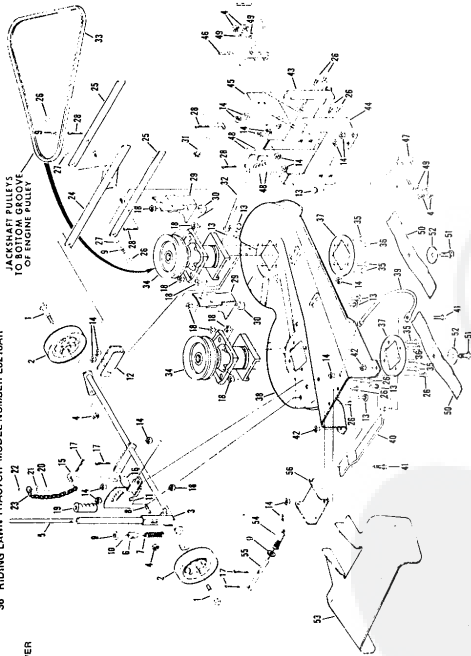
KEY PART NO.	DESCRIPTION	KEY PART NO.	DESCRIPTION
1	*Bracket, L.H.	35	*Theft-Resistant Cover (H.C.)
2	*Bracket, R.H.	36	*Theft-Resistant Cover (H.C.)
3	*Bracket, L.H.	37	*Theft-Resistant Cover (H.C.)
4	*Bracket, R.H.	38	*Theft-Resistant Cover (H.C.)
5	*Bracket, L.H.	39	*Theft-Resistant Cover (H.C.)
6	*Bracket, R.H.	40	*Theft-Resistant Cover (H.C.)
7	*Bracket, L.H.	41	*Theft-Resistant Cover (H.C.)
8	*Bracket, R.H.	42	*Theft-Resistant Cover (H.C.)
9	*Bracket, L.H.	43	*Theft-Resistant Cover (H.C.)
10	*Bracket, R.H.	44	*Theft-Resistant Cover (H.C.)
11	*Bracket, L.H.	45	*Theft-Resistant Cover (H.C.)
12	*Bracket, R.H.	46	*Theft-Resistant Cover (H.C.)
13	*Bracket, L.H.	47	*Theft-Resistant Cover (H.C.)
14	*Bracket, R.H.	48	*Theft-Resistant Cover (H.C.)
15	*Bracket, L.H.	49	*Theft-Resistant Cover (H.C.)
16	*Bracket, R.H.	50	*Theft-Resistant Cover (H.C.)
17	*Bracket, L.H.	51	*Theft-Resistant Cover (H.C.)
18	*Bracket, R.H.	52	*Theft-Resistant Cover (H.C.)
19	*Bracket, L.H.	53	*Theft-Resistant Cover (H.C.)
20	*Bracket, R.H.	54	*Theft-Resistant Cover (H.C.)
21	*Bracket, L.H.	55	*Theft-Resistant Cover (H.C.)
22	*Bracket, R.H.	56	*Theft-Resistant Cover (H.C.)
23	*Bracket, L.H.	57	*Theft-Resistant Cover (H.C.)
24	*Bracket, R.H.	58	*Theft-Resistant Cover (H.C.)
25	*Bracket, L.H.	59	*Theft-Resistant Cover (H.C.)
26	*Bracket, R.H.	60	*Theft-Resistant Cover (H.C.)
27	*Bracket, L.H.	61	*Theft-Resistant Cover (H.C.)
28	*Bracket, R.H.	62	*Theft-Resistant Cover (H.C.)
29	*Bracket, L.H.	63	*Theft-Resistant Cover (H.C.)
30	*Bracket, R.H.	64	*Theft-Resistant Cover (H.C.)
31	*Bracket, L.H.	65	*Theft-Resistant Cover (H.C.)
32	*Bracket, R.H.	66	*Theft-Resistant Cover (H.C.)
33	*Bracket, L.H.	67	*Theft-Resistant Cover (H.C.)
34	*Bracket, R.H.	68	*Theft-Resistant Cover (H.C.)

\*STANDARD HARDWARE—PURCHASE LOCALLY

**REPAIR PARTS**

38" RIDING LAWN TRACTOR—MODEL NUMBER L821BAR

MOWER



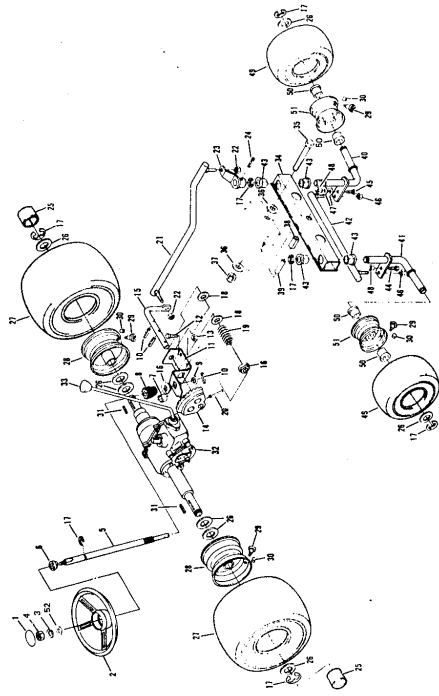
KEY NO.	PART NO.	DESCRIPTION
1	6053R	Axle Bolt
2	71071	Front Rod
3	71071	Front Rod Assembly
4	694A1	Nut, Lock 3/8 - 16
5	71071	Front Rod
6	71071	Pulley
7	71071	Blade
8	44890	Blade
9	5999R	Washer, .238 x .753 x .053
10	72731	Spring Pin - Slotted 1/4 x 1 - 1/2
11	72731	Clamp Assembly
12	597	Washer, .238 x .753 x .053
13	597	Washer, .238 x .753 x .053
14	6710R	Blade
15	6710R	Blade
16	71071	Nut, Lock 3/8 - 16
17	71071	Front Rod
18	71071	Front Rod
19	71071	Front Rod
20	597	Washer, .238 x .753 x .053
21	597	Washer, .238 x .753 x .053
22	74014	Blade
23	74014	Blade
24	71071	Nut, Lock 3/8 - 16
25	71071	Front Rod
26	71071	Front Rod
27	71071	Front Rod
28	2909P	Center Pin 1/8 x 1

\*STANDARD HARDWARE—PURCHASE LOCALLY

**REPAIR PARTS**

38" RIDING LAWN TRACTOR—MODEL NUMBER L821BAR

STEERING & WHEELS

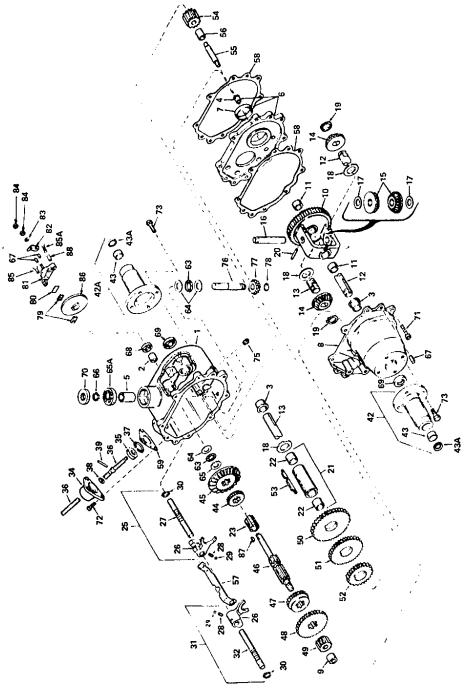


KEY NO.	PART NO.	DESCRIPTION
1	6053R	Axle Bolt
2	6053R	Axle Bolt
3	1000P	Steering Wheel
4	6053R	Axle Bolt
5	74279	Washer, 1/2 - 20
6	74279	Washer, 1/2 - 20
7	74279	Washer, 1/2 - 20
8	74279	Washer, 1/2 - 20
9	74279	Washer, 1/2 - 20
10	52739	Spring Pin 3/16 x 1
11	52739	Spring Pin 3/16 x 1
12	52739	Spring Pin 3/16 x 1
13	52739	Spring Pin 3/16 x 1
14	52739	Spring Pin 3/16 x 1
15	52739	Spring Pin 3/16 x 1
16	52739	Spring Pin 3/16 x 1
17	52739	Spring Pin 3/16 x 1
18	52739	Spring Pin 3/16 x 1
19	52739	Spring Pin 3/16 x 1
20	52739	Spring Pin 3/16 x 1
21	52739	Spring Pin 3/16 x 1
22	52739	Spring Pin 3/16 x 1
23	52739	Spring Pin 3/16 x 1
24	52739	Spring Pin 3/16 x 1
25	52739	Spring Pin 3/16 x 1
26	52739	Spring Pin 3/16 x 1
27	52739	Spring Pin 3/16 x 1
28	71653	Rim

\*STANDARD HARDWARE—PURCHASE LOCALLY

**REPAIR PARTS**

36" RIDING LAWN TRACTOR-MODEL NUMBER L8218AR  
TRANSAKLE NO. 784191-MODEL NUMBER 143.658



**REPAIR PARTS**

36" RIDING LAWN TRACTOR-MODEL NUMBER L8218AR  
TRANSAKLE NO. 784191-MODEL NUMBER 143.658

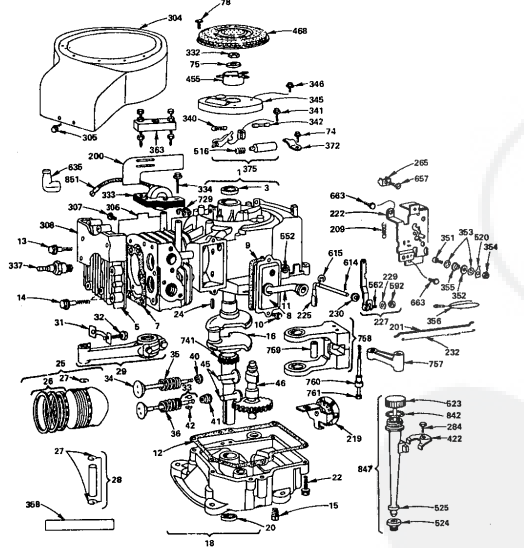
KEY NO.	PART NO.	DESCRIPTION	KEY NO.	PART NO.	DESCRIPTION
1	392005	Cylinder Assembly (Inc. Key No. 3)	227	391733	Lever Assy. - Governor (For 1/4" Dia. Crank)
2	391726	Bushing - Cylinder	229	220680	Washer - Flat
3	294606	Seal - Oil	230	224450	Washer - Gov. Lever (1 1/4" I.D.)
4	716224	Gasket - Valve Cover	232	260584	Spring - Governor Link
5	716230	Gasket - Valve Cover	265	221535	Clamp - Casing
6	391406	Breaker Tube Assembly	298	93084	Screw - Clamp Mtg.
7	278033	Gasket - Valve Cover	304	391379	Housing - Blower
8	933094	Screw - Sem	305	222830	Screw - Blower Housing Mounting Sem
9	280055	Tube - Breaker	307	931153	Shield - Cylinder
10	277550	*Gasket - Crankcase Cover - 1/84"	308	222636	Screw - Cylinder Shield Mtg. Sem
11	278776	Thick	322	93284	Nut - Flywheel
12	278776	*Gasket - Crankcase Cover - .005"	333	238988	Armaurex Assembly
13	278777	Thin	334	93381	Screw - Armature Mounting Sem
14	932211	*Gasket - Crankcase Cover - .008"	337	233918	Plug - Spark (1 - 1/2" High - 3/8 M.M. Resistor)
15	93723	Screw - Cylinder Head (3" Long)	340	NOTE:	Ignition Cable Terminal No. 221798
16	91034	Plug - Oil Drain	341	93381	Spring - Breaker Arm
17	391752	Crankshaft	342	65704	Screw - Breaker Arm Mounting Sem
18	298516	Pump - Oil (Inc. Key No's. 12 & 20)	345	221117	Plunger - Breaker Point
19	298423	Seal - Oil	346	93014	Cover - Breaker Point
20	93585	Screw - Sump	352	93056	Screw - Sem
21	93585	Key - Flywheel	353	93755	Washer - Insulating
22	391673	Piston Assy. - Std.	354	93791	Washer - Lock Shakerproof
23	391674	Piston Assy. - .010" O.S.	354	96576	Nut - Hex 8 - 32
24	391675	Piston Assy. - .020" O.S.	355	96554	Collar - Insulating
25	391676	Piston Assy. - .030" O.S.	356	299500	Wire - Ground
26	391668	Ring Set - Piston - Std.	358	299577	Gasket Set
27	299743	Ring Set - Piston - Std. Chrome	363	19165	Putty - Flywheel
28	391570	Ring Set - Piston - .010" O.S.	372	220477	Clamp - Condenser
29	391671	Ring Set - Piston - .020" O.S.	375	298428	Breaker Points and Condenser Set
30	391672	Ring Set - Piston - .030" O.S.	422	NOTE:	299081 Ignition Kit Includes 294626 Point Set, 65704 Plunger, 61760 Key, Flywheel
31	68546	Lock - Piston Pin	455	227561	Clamp - Oil Filler Tube
32	205840	Pin Assembly - Piston - Standard	520	93722	Cup - Screen Mounting
33	285841	Pin Assembly - Piston - .005" O.S.	523	391840	Screen - Flush Rotating
34	390402	Rod Assy. - Connecting	524	68838	Seal - Filler Tube
35	22114	Screw - Connecting Rod Screw	525	93013	Tube - Oil Filler
36	390419	Valve - Exhaust	527	231055	Bushing - Gov. Crank (1 1/4" I.D.)
37	281055	Valve - Intake	527	93103	Ball - Governor Lever
38	69906	Spring - Intake Valve	527	231082	Nut - Hex 10 - 24
39	281055	Retainer - Intake Valve	614	93306	Cotter - Hair Pin
40	282760	Rotocool - Exhaust Valve	615	93307	Retainer - E-Ring
41	93830	Rotocool - Intake Valve	635	66538	Elbow - Spark Plug
42	211689	Retainer - Exhaust Valve Rotocool	657	93490	Screw - Sem
43	290333	Tapset - Valve	663	93572	Screw
44	93042	Gear - Cam	729	22190	Clip - Wire
45	220685	Washer - Spring	741	281195	Gear - Timing
46	93830	Screw - Sem	757	211875	Link - Counterweight
47	221760	Guide - Air	768	390172	Counterweight Assy.
48	260711	Link - Governor	759	298909	Pin - Counterweight
49	261308	Spring - Governor	760	230840	Spacer - Counterweight
50	392718	Oil Slinger - Gov. Gear and Bracket Assembly	761	93874	Screw - Counterweight
51	390662	Plate - Gov. Control	842	270820	Seal - Filler Cap
52	231098	Crank - Gov. (1 1/4" Dia.)	842	392066	Filler Group - Oil
			851	221798	Terminal - Ignition Cable
					INCLUDED IN GASKET SET - PART NO. 29557

**REPAIR PARTS**

36" RIDING LAWN TRACTOR-MODEL NUMBER L8218AR  
BRIGGS & STRATTON 8 H.P. ENGINE-MODEL NO. 191707, TYPE NO. 5627-01

**CYLINDER, CRANKSHAFT AND ENGINE BASE GROUP**

ALL ENGINE PARTS MUST BE PURCHASED THROUGH AND SERVICE PERFORMED BY YOUR LOCAL BRIGGS AND STRATTON DEALER.



**REPAIR PARTS**

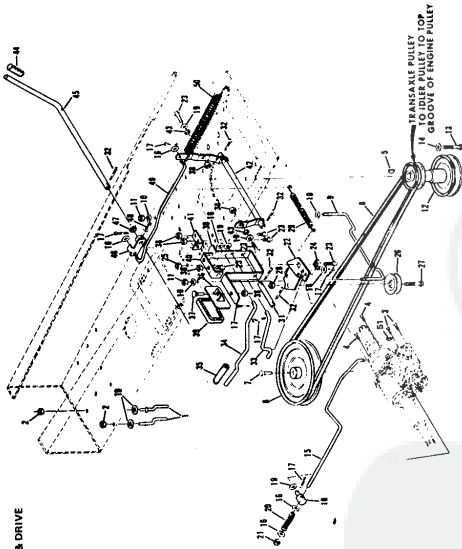
36" RIDING LAWN TRACTOR-MODEL NUMBER L8218AR  
BRIGGS & STRATTON 8 H.P. ENGINE-MODEL NO. 191707, TYPE NO. 5627-01

KEY NO.	PART NO.	DESCRIPTION	KEY NO.	PART NO.	DESCRIPTION
1	392005	Cylinder Assembly (Inc. Key No. 3)	227	391733	Lever Assy. - Governor (For 1/4" Dia. Crank)
2	391726	Bushing - Cylinder	229	220680	Washer - Flat
3	294606	Seal - Oil	230	224450	Washer - Gov. Lever (1 1/4" I.D.)
4	716224	Gasket - Valve Cover	232	260584	Spring - Governor Link
5	716230	Gasket - Valve Cover	265	221535	Clamp - Casing
6	391406	Breaker Tube Assembly	298	93084	Screw - Clamp Mtg.
7	278033	Gasket - Valve Cover	304	391379	Housing - Blower
8	933094	Screw - Sem	305	222830	Screw - Blower Housing Mounting Sem
9	280055	Tube - Breaker	307	931153	Shield - Cylinder
10	277550	*Gasket - Crankcase Cover - 1/84"	308	222636	Screw - Cylinder Shield Mtg. Sem
11	278776	Thick	322	93284	Nut - Flywheel
12	278776	*Gasket - Crankcase Cover - .005"	333	238988	Armaurex Assembly
13	278777	Thin	334	93381	Screw - Armature Mounting Sem
14	932211	*Gasket - Crankcase Cover - .008"	337	233918	Plug - Spark (1 - 1/2" High - 3/8 M.M. Resistor)
15	93723	Screw - Cylinder Head (3" Long)	340	NOTE:	Ignition Cable Terminal No. 221798
16	91034	Plug - Oil Drain	341	93381	Spring - Breaker Arm
17	391752	Crankshaft	342	65704	Screw - Breaker Arm Mounting Sem
18	298516	Pump - Oil (Inc. Key No's. 12 & 20)	345	221117	Plunger - Breaker Point
19	298423	Seal - Oil	346	93014	Cover - Breaker Point
20	93585	Screw - Sump	352	93056	Screw - Sem
21	93585	Key - Flywheel	353	93755	Washer - Insulating
22	391673	Piston Assy. - Std.	354	93791	Washer - Lock Shakerproof
23	391674	Piston Assy. - .010" O.S.	354	96576	Nut - Hex 8 - 32
24	391675	Piston Assy. - .020" O.S.	355	96554	Collar - Insulating
25	391676	Piston Assy. - .030" O.S.	356	299500	Wire - Ground
26	391668	Ring Set - Piston - Std.	358	299577	Gasket Set
27	299743	Ring Set - Piston - Std. Chrome	363	19165	Putty - Flywheel
28	391570	Ring Set - Piston - .010" O.S.	372	220477	Clamp - Condenser
29	391671	Ring Set - Piston - .020" O.S.	375	298428	Breaker Points and Condenser Set
30	391672	Ring Set - Piston - .030" O.S.	422	NOTE:	299081 Ignition Kit Includes 294626 Point Set, 65704 Plunger, 61760 Key, Flywheel
31	68546	Lock - Piston Pin	455	227561	Clamp - Oil Filler Tube
32	205840	Pin Assembly - Piston - Standard	520	93722	Cup - Screen Mounting
33	285841	Pin Assembly - Piston - .005" O.S.	523	391840	Screen - Flush Rotating
34	390402	Rod Assy. - Connecting	524	68838	Seal - Filler Tube
35	22114	Screw - Connecting Rod Screw	525	93013	Tube - Oil Filler
36	390419	Valve - Exhaust	527	231055	Bushing - Gov. Crank (1 1/4" I.D.)
37	281055	Valve - Intake	527	93103	Ball - Governor Lever
38	69906	Spring - Intake Valve	527	231082	Nut - Hex 10 - 24
39	281055	Retainer - Intake Valve	614	93306	Cotter - Hair Pin
40	282760	Rotocool - Exhaust Valve	615	93307	Retainer - E-Ring
41	93830	Rotocool - Intake Valve	635	66538	Elbow - Spark Plug
42	211689	Retainer - Exhaust Valve Rotocool	657	93490	Screw - Sem
43	290333	Tapset - Valve	663	93572	Screw
44	93042	Gear - Cam	729	22190	Clip - Wire
45	220685	Washer - Spring	741	281195	Gear - Timing
46	93830	Screw - Sem	757	211875	Link - Counterweight
47	221760	Guide - Air	768	390172	Counterweight Assy.
48	260711	Link - Governor	759	298909	Pin - Counterweight
49	261308	Spring - Governor	760	230840	Spacer - Counterweight
50	392718	Oil Slinger - Gov. Gear and Bracket Assembly	761	93874	Screw - Counterweight
51	390662	Plate - Gov. Control	842	270820	Seal - Filler Cap
52	231098	Crank - Gov. (1 1/4" Dia.)	842	392066	Filler Group - Oil
			851	221798	Terminal - Ignition Cable
					INCLUDED IN GASKET SET - PART NO. 29557



**REPAIR PARTS**

36" RIDING LAWN TRACTOR-MODEL NUMBER L8218BR  
CLUTCH-BRAKE & DRIVE



**REPAIR PARTS**

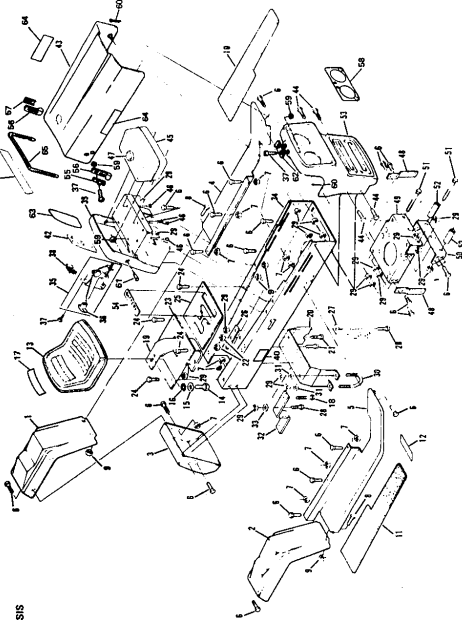
36" RIDING LAWN TRACTOR-MODEL NUMBER L8218BR  
CLUTCH-BRAKE & DRIVE

KEY NO.	PART NO.	DESCRIPTION
1	24522	Pin Guide
2	24522	Nut, Lock 5/16 - 18
3	65205	Screw, Hex Head w/Washer
4	65206	Screw, Hex Head w/Washer
5	65203	Screw, Hex Head 3/8 - 16 x 1 - 1/2
6	75542	Kit, Woodruff No. 6
7	65205	Washer
8	65205	Washer
9	71741	Med Set Guide
10	51785	Washer, .001 x .875 x .063
11	51785	Washer, .001 x .875 x .063
12	71823	Pulley, Engine
13	68874	Washer, .001 x .875 x .063
14	67125	Washer, .375 x 1.250 x .201
15	53988	Washer, .406 x .750 x .063
16	53988	Washer, .406 x .750 x .063
17	71738	Trunion
18	71738	Trunion
19	35280	Washer, .328 x .750 x .063
20	35280	Washer, .328 x .750 x .063
21	62536	Nut, Lock 3/8 - 16
22	71201	Idler Bracket
23	71202	Bushing
24	71202	Bushing
25	63124	Nut, Lock 5/16 - 18
26	30277	*Bolt, Hex Head 3/8 - 16 x 1 - 1/2
27	30277	*Bolt, Hex Head 3/8 - 16 x 1 - 1/2
28	30277	*Bolt, Hex Head 3/8 - 16 x 1 - 1/2
29	30277	*Bolt, Hex Head 3/8 - 16 x 1 - 1/2
30	30023	Foot Pad
31	30023	Foot Pad
32	25087	*Center Pin 1/8 x 1
33	25087	*Center Pin 1/8 x 1
34	27331	Pin, Brake Rod
35	71225	Clutch Lever
36	71225	Clutch Lever
37	15742	Clutch Fork
38	15742	Clutch Fork
39	67385	Clutch Arm Assembly
40	67385	Clutch Arm Assembly
41	71199	Foot Bracket
42	71199	Foot Bracket
43	71199	Foot Bracket
44	71246	Clutch Cable
45	71246	Clutch Cable
46	71246	Clutch Cable
47	53622	Washer, .321 x 1.063
48	53622	Washer, .321 x 1.063
49	71246	Clutch Cable
50	71246	Clutch Cable
51	71246	Clutch Cable

\*STANDARD HARDWARE PURCHASE LOCALLY

**REPAIR PARTS**

36" RIDING LAWN TRACTOR-MODEL NUMBER L8218BR  
CHASSIS



**REPAIR PARTS**

36" RIDING LAWN TRACTOR-MODEL NUMBER L8218BR  
CHASSIS

KEY NO.	PART NO.	DESCRIPTION
1	3884	Frame, L.H.
2	3884	Frame, R.H.
3	3884	Frame, L.H.
4	3884	Frame, R.H.
5	3884	Frame, L.H.
6	3884	Frame, R.H.
7	3884	Frame, L.H.
8	3884	Frame, R.H.
9	3884	Frame, L.H.
10	3884	Frame, R.H.
11	3884	Frame, L.H.
12	3884	Frame, R.H.
13	3884	Frame, L.H.
14	3884	Frame, R.H.
15	3884	Frame, L.H.
16	3884	Frame, R.H.
17	3884	Frame, L.H.
18	3884	Frame, R.H.
19	3884	Frame, L.H.
20	3884	Frame, R.H.
21	3884	Frame, L.H.
22	3884	Frame, R.H.
23	3884	Frame, L.H.
24	3884	Frame, R.H.
25	3884	Frame, L.H.
26	3884	Frame, R.H.
27	3884	Frame, L.H.
28	3884	Frame, R.H.
29	3884	Frame, L.H.
30	3884	Frame, R.H.
31	3884	Frame, L.H.
32	3884	Frame, R.H.
33	3884	Frame, L.H.
34	3884	Frame, R.H.
35	3884	Frame, L.H.
36	3884	Frame, R.H.
37	3884	Frame, L.H.
38	3884	Frame, R.H.
39	3884	Frame, L.H.
40	3884	Frame, R.H.
41	3884	Frame, L.H.
42	3884	Frame, R.H.
43	3884	Frame, L.H.
44	3884	Frame, R.H.
45	3884	Frame, L.H.
46	3884	Frame, R.H.
47	3884	Frame, L.H.
48	3884	Frame, R.H.
49	3884	Frame, L.H.
50	3884	Frame, R.H.
51	3884	Frame, L.H.
52	3884	Frame, R.H.
53	3884	Frame, L.H.
54	3884	Frame, R.H.
55	3884	Frame, L.H.
56	3884	Frame, R.H.
57	3884	Frame, L.H.
58	3884	Frame, R.H.
59	3884	Frame, L.H.
60	3884	Frame, R.H.
61	3884	Frame, L.H.
62	3884	Frame, R.H.
63	3884	Frame, L.H.
64	3884	Frame, R.H.
65	3884	Frame, L.H.
66	3884	Frame, R.H.
67	3884	Frame, L.H.
68	3884	Frame, R.H.
69	3884	Frame, L.H.
70	3884	Frame, R.H.
71	3884	Frame, L.H.
72	3884	Frame, R.H.
73	3884	Frame, L.H.
74	3884	Frame, R.H.
75	3884	Frame, L.H.
76	3884	Frame, R.H.
77	3884	Frame, L.H.
78	3884	Frame, R.H.
79	3884	Frame, L.H.
80	3884	Frame, R.H.
81	3884	Frame, L.H.
82	3884	Frame, R.H.
83	3884	Frame, L.H.
84	3884	Frame, R.H.
85	3884	Frame, L.H.
86	3884	Frame, R.H.
87	3884	Frame, L.H.
88	3884	Frame, R.H.
89	3884	Frame, L.H.
90	3884	Frame, R.H.
91	3884	Frame, L.H.
92	3884	Frame, R.H.
93	3884	Frame, L.H.
94	3884	Frame, R.H.
95	3884	Frame, L.H.
96	3884	Frame, R.H.
97	3884	Frame, L.H.
98	3884	Frame, R.H.
99	3884	Frame, L.H.
100	3884	Frame, R.H.

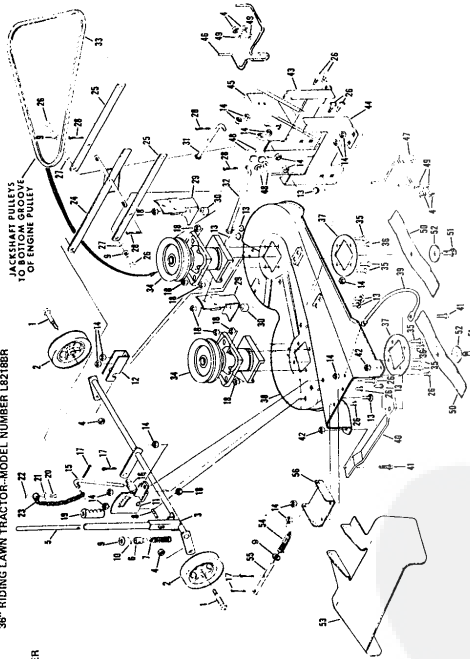
\*STANDARD HARDWARE PURCHASE LOCALLY



**REPAIR PARTS**

36" RIDING LAWN TRACTOR—MODEL NUMBER L8218BR

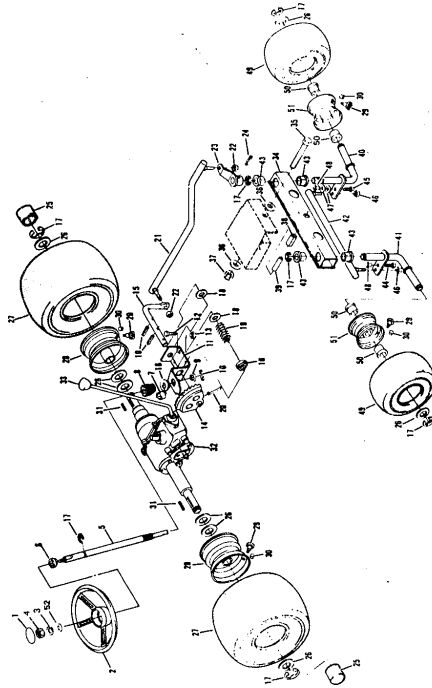
MOWER



JACKSHAFT PULLEYS  
OF ENGINE PULLEY

**REPAIR PARTS**

36" RIDING LAWN TRACTOR—MODEL NUMBER L8218BR  
STEERING & WHEELS



**REPAIR PARTS**

36" RIDING LAWN TRACTOR—MODEL NUMBER L8218BR

MOWER

KEY NO.	PART NO.	DESCRIPTION	KEY NO.	PART NO.	DESCRIPTION
2	65529	Eye Bolt	20	71822	Blade Discharge Assembly
3	71821	Pin Rod Assembly	21	71825	Blade Spring
4	71822	Pin Rod	22	71826	Blade Spring L.H.
5	73983	Lock 3/8" x 1/8"	23	62920	Blade Spring R.H.
6	71823	Pin Rod	24	71827	Blade Spring L.H.
7	71824	Pin Rod	25	71828	Blade Spring R.H.
8	54880	Spring Pin - Slotted 1/4 x 1 1/2	26	30227	Blade Spring L.H.
9	54881	Spring Pin - Slotted 1/4 x 1 1/2	27	67743	Blade Spring R.H.
10	52970	Spring Pin 1/8 x 5/8	28	67744	Blade Spring L.H.
11	52971	Spring Pin 1/8 x 5/8	29	67745	Blade Spring R.H.
12	62327	Pin Rod Support	30	74016	Blade Spring L.H.
13	159	Pin Rod	31	74017	Blade Spring R.H.
14	159	Pin Rod	32	51457	Screw, Machine 5/16 - 18 x 7/8
15	71300	Adjustment Rod	33	71275	Housing Bracket L.H.
16	71300	Adjustment Rod	34	71276	Housing Bracket R.H.
17	23759	Pin	35	71277	Blade Spring L.H.
18	62235	Nut, Lock 3/8 - 16	36	71278	Blade Spring R.H.
19	62235	Nut, Lock 3/8 - 16	37	199	Blade Spring L.H.
20	23759	Pin	38	199	Blade Spring R.H.
21	65329	Phillips Pan Hd. Machine Screw	39	71295	Blade Spring L.H.
22	53800	Nut, Lock 1/4 - 20	40	67746	Blade Spring R.H.
23	72915	Parallel Rod Assembly	41	67747	Blade Spring L.H.
24	72915	Parallel Rod Assembly	42	67748	Blade Spring R.H.
25	62079	Spring Pin 1/4 x 1 1/4	43	62079	Spring Pin 1/4 x 1 1/4
26	30109	Blade Spring L.H.	44	62079	Spring Pin 1/4 x 1 1/4
27	71815	Blade Spring R.H.	45	62079	Spring Pin 1/4 x 1 1/4
28	71815	Blade Spring L.H.	46	62079	Spring Pin 1/4 x 1 1/4
29	73507	Blade Spring R.H.	47	62079	Spring Pin 1/4 x 1 1/4
			48	62079	Spring Pin 1/4 x 1 1/4
			49	62079	Spring Pin 1/4 x 1 1/4
			50	62079	Spring Pin 1/4 x 1 1/4
			51	62079	Spring Pin 1/4 x 1 1/4
			52	62079	Spring Pin 1/4 x 1 1/4
			53	62079	Spring Pin 1/4 x 1 1/4
			54	62079	Spring Pin 1/4 x 1 1/4
			55	62079	Spring Pin 1/4 x 1 1/4
			56	62079	Spring Pin 1/4 x 1 1/4

\*STANDARD HARDWARE—PURCHASE LOCALLY

**REPAIR PARTS**

36" RIDING LAWN TRACTOR—MODEL NUMBER L8218BR

STEERING AND WHEELS

KEY NO.	PART NO.	DESCRIPTION	KEY NO.	PART NO.	DESCRIPTION
1	11141	Steering Wheel Inset	29	65139	Valve Stem
2	5001	Steering Wheel	30	50192	Valve Cap
3	5001	Steering Wheel	31	79413 A	Transaxle Assembly, Aoshif 143,658A
4	5001	Steering Wheel	32	79413 A	Transaxle Assembly, Aoshif 143,658A
5	5001	Steering Wheel	33	71207	Roller Bar Assembly
6	71219	Steering Shaft	34	71179	Roller Bar Assembly
7	71219	Steering Shaft	35	59194	Washer, 5/16 x 3/8 x .003
8	71219	Steering Shaft	36	59194	Washer, 5/16 x 3/8 x .003
9	69395	Steering Shaft	37	67159	Pin, Spoke
10	69395	Steering Shaft	38	71188	Pin, Spoke
11	30709	*Nut, Hex Head 5/16 - 18 x 3/4	39	71188	Pin, Spoke
12	30709	*Nut, Hex Head 5/16 - 18 x 3/4	40	72327	Kingpin Assembly - R.H.
13	71122	Steering Knuckle	41	72327	Kingpin Assembly - R.H.
14	71122	Steering Knuckle	42	71182	Blading Knigh
15	71208	Blading Knigh	43	71182	Blading Knigh
16	71208	Blading Knigh	44	30719	*Nut, Hex Head 3/8 - 16 x 3/4
17	52913	E Ring 2 3/4 Shaft	45	67862	Nut, Lock 5/16 - 24
18	52913	E Ring 2 3/4 Shaft	46	67862	Nut, Lock 5/16 - 24
19	72868	Spring	47	67862	Nut, Lock 5/16 - 24
20	72868	Spring	48	67862	Nut, Lock 5/16 - 24
21	71210	Drive Lock Pin	49	67862	Nut, Lock 5/16 - 24
22	71210	Drive Lock Pin	50	67862	Nut, Lock 5/16 - 24
23	71210	Drive Lock Pin	51	67862	Nut, Lock 5/16 - 24
24	62079	Spring Pin 1/4 x 1 1/4	52	53822	Washer, 5/16 x 1.00 x .003
25	62079	Spring Pin 1/4 x 1 1/4			
26	19119	Blade Spring L.H.			
27	71822	Blade Spring R.H.			

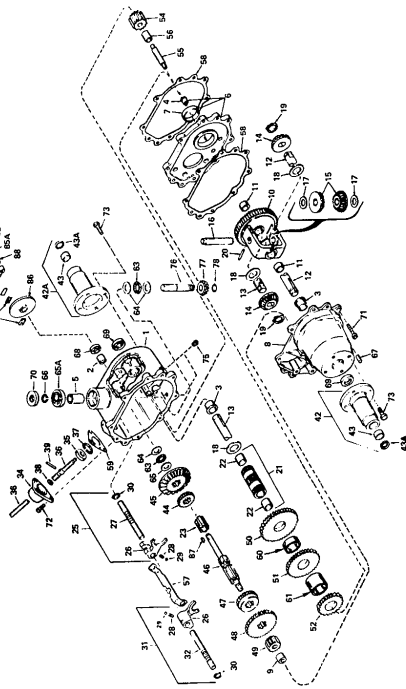
\*STANDARD HARDWARE—PURCHASE LOCALLY



**REPAIR PARTS**

36" RIDING LAWN TRACTOR-MODEL NUMBER L8218BR  
 TRANSAXLE NO. 794191A-MODEL NUMBER 143.658A

ALL TRANSALE PARTS MUST  
 BE PURCHASED THROUGH YOUR  
 LOCAL EQUIPMENT DEALER



**REPAIR PARTS**

36" RIDING LAWN TRACTOR-MODEL NUMBER L8218BR  
 TRANSAXLE NO. 794191A-MODEL NUMBER 143.658A

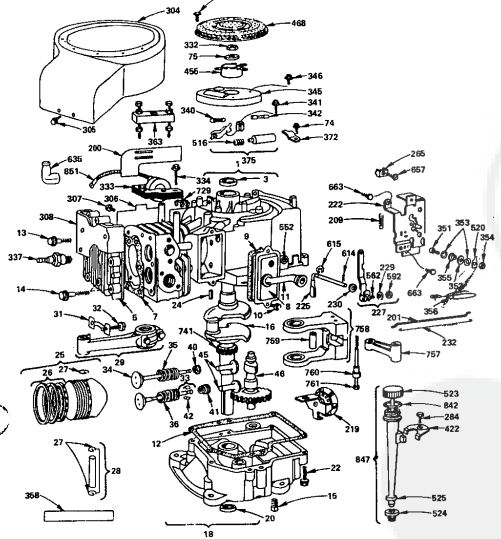
KEY NO.	PART NO.	DESCRIPTION	KEY NO.	PART NO.	DESCRIPTION
1	794191A	Complete Transaxle (Inc. No. 2, 3 & 5)	46	778232	Gov. Bevel (25 Teeth)
2	780088	Bushing - Cylinder	47	778688	Gov. Shaft (2 1/2 x 1/4)
3	212286	Head - Cylinder	48	778688	Gov. Shaft (1 1/2 x 1/4)
4	210430	Gasket - Valve Cover	49	778688	Gov. Shaft (1 1/2 x 1/4)
5	391406	Breather Tube Assembly	50	778688	Gov. Shaft (1 1/2 x 1/4)
6	21900	Gasket - Valve Cover	51	778688	Gov. Shaft (1 1/2 x 1/4)
7	778688	Washer - Thrust	52	778688	Gov. Shaft (1 1/2 x 1/4)
8	778688	Washer - Thrust	53	778688	Gov. Shaft (1 1/2 x 1/4)
9	778688	Washer - Thrust	54	778688	Gov. Shaft (1 1/2 x 1/4)
10	778688	Washer - Thrust	55	778688	Gov. Shaft (1 1/2 x 1/4)
11	778688	Washer - Thrust	56	778688	Gov. Shaft (1 1/2 x 1/4)
12	778688	Washer - Thrust	57	778688	Gov. Shaft (1 1/2 x 1/4)
13	778688	Washer - Thrust	58	778688	Gov. Shaft (1 1/2 x 1/4)
14	778688	Washer - Thrust	59	778688	Gov. Shaft (1 1/2 x 1/4)
15	778688	Washer - Thrust	60	778688	Gov. Shaft (1 1/2 x 1/4)
16	778688	Washer - Thrust	61	778688	Gov. Shaft (1 1/2 x 1/4)
17	778688	Washer - Thrust	62	778688	Gov. Shaft (1 1/2 x 1/4)
18	778688	Washer - Thrust	63	778688	Gov. Shaft (1 1/2 x 1/4)
19	778688	Washer - Thrust	64	778688	Gov. Shaft (1 1/2 x 1/4)
20	778688	Washer - Thrust	65	778688	Gov. Shaft (1 1/2 x 1/4)
21	778688	Washer - Thrust	66	778688	Gov. Shaft (1 1/2 x 1/4)
22	778688	Washer - Thrust	67	778688	Gov. Shaft (1 1/2 x 1/4)
23	778688	Washer - Thrust	68	778688	Gov. Shaft (1 1/2 x 1/4)
24	778688	Washer - Thrust	69	778688	Gov. Shaft (1 1/2 x 1/4)
25	778688	Washer - Thrust	70	778688	Gov. Shaft (1 1/2 x 1/4)
26	778688	Washer - Thrust	71	778688	Gov. Shaft (1 1/2 x 1/4)
27	778688	Washer - Thrust	72	778688	Gov. Shaft (1 1/2 x 1/4)
28	778688	Washer - Thrust	73	778688	Gov. Shaft (1 1/2 x 1/4)
29	778688	Washer - Thrust	74	778688	Gov. Shaft (1 1/2 x 1/4)
30	778688	Washer - Thrust	75	778688	Gov. Shaft (1 1/2 x 1/4)
31	778688	Washer - Thrust	76	778688	Gov. Shaft (1 1/2 x 1/4)
32	778688	Washer - Thrust	77	778688	Gov. Shaft (1 1/2 x 1/4)
33	778688	Washer - Thrust	78	778688	Gov. Shaft (1 1/2 x 1/4)
34	778688	Washer - Thrust	79	778688	Gov. Shaft (1 1/2 x 1/4)
35	778688	Washer - Thrust	80	778688	Gov. Shaft (1 1/2 x 1/4)
36	778688	Washer - Thrust	81	778688	Gov. Shaft (1 1/2 x 1/4)
37	778688	Washer - Thrust	82	778688	Gov. Shaft (1 1/2 x 1/4)
38	778688	Washer - Thrust	83	778688	Gov. Shaft (1 1/2 x 1/4)
39	778688	Washer - Thrust	84	778688	Gov. Shaft (1 1/2 x 1/4)
40	778688	Washer - Thrust	85	778688	Gov. Shaft (1 1/2 x 1/4)
41	778688	Washer - Thrust	86	778688	Gov. Shaft (1 1/2 x 1/4)
42	778688	Washer - Thrust	87	778688	Gov. Shaft (1 1/2 x 1/4)
43	778688	Washer - Thrust	88	778688	Gov. Shaft (1 1/2 x 1/4)
44	778688	Washer - Thrust	89	778688	Gov. Shaft (1 1/2 x 1/4)
45	778688	Washer - Thrust	90	778688	Gov. Shaft (1 1/2 x 1/4)
46	778688	Washer - Thrust	91	778688	Gov. Shaft (1 1/2 x 1/4)
47	778688	Washer - Thrust	92	778688	Gov. Shaft (1 1/2 x 1/4)
48	778688	Washer - Thrust	93	778688	Gov. Shaft (1 1/2 x 1/4)
49	778688	Washer - Thrust	94	778688	Gov. Shaft (1 1/2 x 1/4)
50	778688	Washer - Thrust	95	778688	Gov. Shaft (1 1/2 x 1/4)
51	778688	Washer - Thrust	96	778688	Gov. Shaft (1 1/2 x 1/4)
52	778688	Washer - Thrust	97	778688	Gov. Shaft (1 1/2 x 1/4)
53	778688	Washer - Thrust	98	778688	Gov. Shaft (1 1/2 x 1/4)
54	778688	Washer - Thrust	99	778688	Gov. Shaft (1 1/2 x 1/4)
55	778688	Washer - Thrust	100	778688	Gov. Shaft (1 1/2 x 1/4)

**REPAIR PARTS**

36" RIDING LAWN TRACTOR-MODEL NUMBER L8218BR  
 BRIGGS & STRATTON 8 H.P. ENGINE-MODEL NO. 191707, TYPE NO. 5627-01

CYLINDER, CRANKSHAFT AND ENGINE BASE GROUP

ALL ENGINE PARTS MUST BE PURCHASED THROUGH AND SERVICE PERFORMED BY YOUR LOCAL BRIGGS & STRATTON DEALER



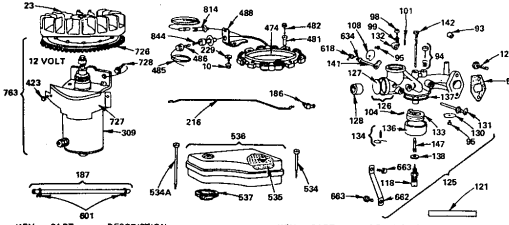
**REPAIR PARTS**

36" RIDING LAWN TRACTOR-MODEL NUMBER L8218BR  
 BRIGGS & STRATTON 8 H.P. ENGINE-MODEL NO. 191707, TYPE NO. 5627-01

KEY NO.	PART NO.	DESCRIPTION	KEY NO.	PART NO.	DESCRIPTION
1	392005	Cylinder Assembly (Inc. Key No. 3)	227	391733	Lever Assy. - Governor (For 1/4" Dia Crank)
2	391726	Bushing - Cylinder	228	220680	Washer - Flat
3	294606	Seal - Oil	229	224450	Washer - Gov. Lever Link (1/4" I.D.)
4	212286	Head - Cylinder	230	220680	Spring - Governor Link
5	210430	Gasket - Valve Cover	231	220680	Clamp - Casing
6	391406	Breather Tube Assembly	232	220680	Screw - Clamp Mtg.
7	21900	Gasket - Valve Cover	233	220680	Housing - Blower
8	93394	Screw - Sem	234	220680	Screw - Blower Housing Mounting Sem
9	280005	Thrust - Governor	235	220680	Shield - Cylinder
10	27750	*Gasket - Crankcase Cover - 1/64" Thick	236	220680	Screw - Cylinder Shield Mtg. Sem
11	27876	*Gasket - Crankcase Cover - .005" Thick	237	220680	Cover - Cylinder Head
12	27877	*Gasket - Crankcase Cover - .009" Thick	238	220680	Nut - Flywheel
13	93211	Screw - Cylinder Head (2 - 21/32" Long)	239	220680	Armature Assembly
14	93723	Screw - Cylinder Head (3" Long)	240	93381	Screw - Armature Mounting Sem
15	91084	Plug - Oil Drain	241	93381	Plug - Spring (1 - 1/2" High - 38 M.M. Resistor)
16	391757	Crankshaft	242	57304	Spring - Breaker Arm
17	298316	Sump - Oil (Inc. Key No. 12 & 20)	243	57304	Screw - Breaker Arm Mounting Sem
18	298423	Seal - Oil	244	222117	Punger - Breaker Point
19	93585	Screw - Sump	245	39014	Cover - Breaker Point
20	61760	Key - Flywheel	246	93735	Screw - Sem
21	391673	Piston Assy. - Std.	247	66068	Washer - Insulating
22	391674	Piston Assy. - .010" O.S.	248	93791	Washer - Lock Stakeproof
23	391675	Piston Assy. - .020" O.S.	249	90576	Nut - Hex 8 - 32
24	391676	Piston Assy. - .030" O.S.	250	66054	Collar - Insulating
25	391677	Piston Assy. - .040" O.S.	251	299500	Wire - Ground
26	299743	Ring Set - Piston - Std. Chrome	252	299577	Gasket Set
27	391670	Ring Set - Piston - .010" O.S.	253	19165	Pulley - Flywheel
28	391671	Ring Set - Piston - .020" O.S.	254	220477	Damp - Condenser
29	391672	Ring Set - Piston - .030" O.S.	255	294628	Breaker Points and Condenser Set
30	68546	Lock - Piston Pin	256	220680	NOTE: 299061 Ignition Kit Includes 294628 Point Set, 65104 Punger, 61760 Key - Flywheel
31	295840	Pin Assembly - Piston - Standard	257	220680	Clamp - Oil Filler Tube
32	295841	Pin Assembly - Piston - .005" O.S.	258	222561	Cup - Screen Mounting
33	390402	Rod Assy. - Connecting	259	222561	Screen - Fluid Rotating
34	222114	Lock - Connecting Rod Screw	260	260374	Spring - Connector
35	83059	Washer - Connecting Rod	261	93122	Terminal Splice
36	390419	Valve - Exhaust	262	391840	Cap and Dipstick - Oil Filter
37	291655	Valve - Intake	263	68636	Seal - Filler Tube
38	65906	Spring - Intake Valve	264	290133	Tube - Oil Filler
39	29828	Spring - Exhaust Valve	265	231065	Bushing - Gov. Crank (1/4" I.D.)
40	21558	Retainer - Intake Valve	266	52513	Ball - Governor Lever
41	292260	Retainer - Exhaust Valve	267	231082	Nut - Hex 10 - 24
42	93630	Retainer - Exhaust Valve Retainer	268	93306	Collar - Hair Pin
43	299333	Tappet - Valve	269	83307	Retainer - E Ring
44	211689	Gear - Cam	270	86538	Elbow - Spark Plug
45	53042	Screw - Sems	271	83496	Screw - Sem
46	22866	Washer - Spring	272	93572	Screw
47	93008	Screw - Sem	273	221907	Cup - Wax
48	221760	Guide - Air	274	261195	Gear - Timing
49	260911	Link - Governor	275	211675	Link - Counterweight
50	261308	Springs - Gov. Gear and Bracket Assembly	276	390172	Counterweight Assy.
51	390662	Plate - Gov. Control	277	298909	Pin - Counterweight
52	231698	Crank - Gov. (1/4" Dia.)	278	230940	Safer - Counterweight
			279	93674	Screw - Counterweight
			280	230920	Seal - Filler Cap
			281	392068	Filler Group - Oil
			282	221768	Terminal - Ignition Cable
			283	221768	Terminal - Ignition Cable
			284	221768	Terminal - Ignition Cable
			285	221768	Terminal - Ignition Cable
			286	221768	Terminal - Ignition Cable
			287	221768	Terminal - Ignition Cable
			288	221768	Terminal - Ignition Cable
			289	221768	Terminal - Ignition Cable
			290	221768	Terminal - Ignition Cable
			291	221768	Terminal - Ignition Cable
			292	221768	Terminal - Ignition Cable
			293	221768	Terminal - Ignition Cable
			294	221768	Terminal - Ignition Cable
			295	221768	Terminal - Ignition Cable
			296	221768	Terminal - Ignition Cable
			297	221768	Terminal - Ignition Cable
			298	221768	Terminal - Ignition Cable
			299	221768	Terminal - Ignition Cable
			300	221768	Terminal - Ignition Cable

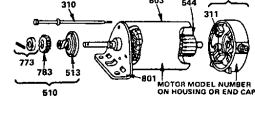
**REPAIR PARTS**

36" RIDING LAWN TRACTOR—MODEL NUMBER L8218BR  
BRIGGS & STRATTON 8 H.P. ENGINE—MODEL NO. 191707, TYPE NO. 5627-01  
AIR CLEANER, CARBURETOR AND FLYWHEEL GROUP



KEY NO.	PART NO.	DESCRIPTION	KEY NO.	PART NO.	DESCRIPTION
10	93294	Screw - Set	216	291117	Link Choke
23	381983	Flywheel and Ring Gear As'y. - Magneto	229	220680	Washer, Flat
52	210824	Gasket - Carburetor Mounting	309	392749	Motor and Drive As'y. (See Break-down of Parts Below)
83	24108	Bushing - Throttle Shaft	423	93410	Screw - Set
87	294081	Valve Assembly - Carburetor Idle	414	381532	Stator - Alternator
95	53499	Screw - Throttle and Choke Valve Mfg.	481	238970	Bushing - Stator
88	91920	Screw - Machine Fill, Hd. 8 - 32 x 5/8"	462	38621	Screw - Set
99	26157	Spring - Throttle Adjustment	485	381988	Knob As'y. - Fuse
101	83043	Pin - Throttle Stop	468	381507	Diode - Alternator
104	230896	Pin - Float Hinge	488	222211	Bracket - Output
108	227010	Valve Choke	534	38622	Screw - Air Cleaner
118	361233	Valve Needle	534A	32323	Screw - Air Cleaner
121	298852	Carburetor Overhaul Kit	536	270528	Element - Air Cleaner
123	93357	Screw - Carburetor Mfg.	538	381399	Cleaner Assembly - Air
125	260911	Carburetor Assembly	537	270539	Support - Air Cleaner Element (Plastic)
126	299851	Body Assembly - Carburetor	601	34053	Gasket - Fuel Pipe
127	221957	Plug - Wash	618	261116	Clamp - Fuel Pipe
128	211682	Venturi - Carburetor	618	261116	Clamp - Fuel Pipe
130	221958	Valve - Throttle	632	220282	Washer - Choke Return
131	381512	Shaft and Lever - Throttle	662	220282	Washer - Choke Return
132	211711	Stop - Throttle	663	220282	Washer - Choke Return
133	285707	Float - Carburetor	725	391134	Screw
134	259096	Stop - Fuel Inlet	727	390233	Gear - Ring
136	221995	Bowl - Float	728	390233	Cover and Shield - Starter
137	270511	Gasket - Float Bowl	753	391604	Screw - Set
141	220014	Washer - Float Bowl	814	390687	Wire - Assembly - 7 Amp. Alternator
142	390684	Shaft and Lever - Choke	844	261289	Spring - Diode
147	285740	Washer - Carburetor			
148	235872	Nozzle - Carburetor			
189	67218	Connector - Fuel Pipe			
190	256004	Pipe - Fuel			

**STARTER MOTOR GROUP**

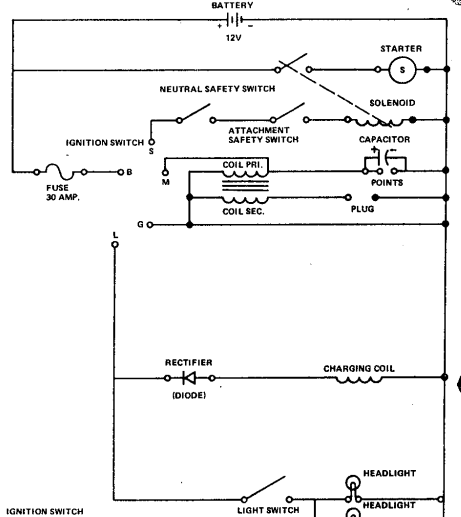


KEY NO.	PART NO.	DESCRIPTION
310	391706	Thru Bolt, As'y.
311	381705	Brush As'y.
510	391461	Drive As'y.
511	387747	Armature As'y.
801	381710	End Cap As'y., Drive
802	390846	End Cap As'y., Commutator
803	382744	Housing As'y.

\*Includes Brush Set  
\*Includes No. 391135 Clutch As'y. (Key No. 513)  
\*Includes No. 280104 Gear (Key No. 783)  
\*Includes No. 391462 Retainer and Pin (Key No. 773)

**REPAIR PARTS**

36" RIDING LAWN TRACTOR—MODEL NUMBER L8218BR  
SCHEMATIC DIAGRAM



IGNITION SWITCH	
POSITION	CIRCUIT
OFF	M-G
ON	B-L
START	B-S

**REPAIR PARTS**

36" RIDING LAWN TRACTOR—MODEL NUMBER L8218BR  
ELECTRIC & ENGINE



**REPAIR PARTS**

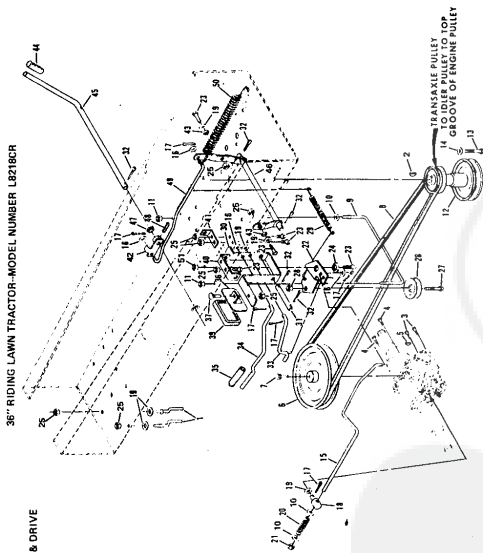
36" RIDING LAWN TRACTOR—MODEL NUMBER L8218BR  
ELECTRIC & ENGINE

KEY NO.	PART NO.	DESCRIPTION
1	3228P	Screw, Machine Trust Head
2	645/R	No. 10 - 24 x 1
3	7302S	Headlight Support
4	561P	Washer, Flat
5	561P	Washer, Flat
6	561P	Washer, Flat
7	7125S	Safe Assembly
8	3359P	Screw, Machine Phillips Head
9	1795L	Wire Harness
10	7522A	Wire Harness
11	7522A	Wire Harness
12	7522A	Wire Harness
13	225J	Terminal Cover
14	7125A/R	Terminal Cover
15	7125A/R	Terminal Cover
16	7125A/R	Terminal Cover
17	578P	Nut, Lock No. 10 - 24 UNC
18	1003P	Washer, Lock No. 10 - 24 UNC
19	1003P	Washer, Lock No. 10 - 24 UNC
20	1003P	Washer, Lock No. 10 - 24 UNC
21	6718P	Battery Rod
22	1505S	Battery Rod
23	1505S	Battery Rod
24	1505S	Battery Rod
25	577P	Wing Nut 1/4" - 20 x .62
26	577P	Wing Nut 1/4" - 20 x .62
27	1896L	Insulated Plug
28	2321R	Insulated Plug

\*STANDARD HARDWARE—PURCHASE LOCALLY  
OPTIONAL EQUIPMENT  
1A89.11 Spark Arrestor

**REPAIR PARTS**

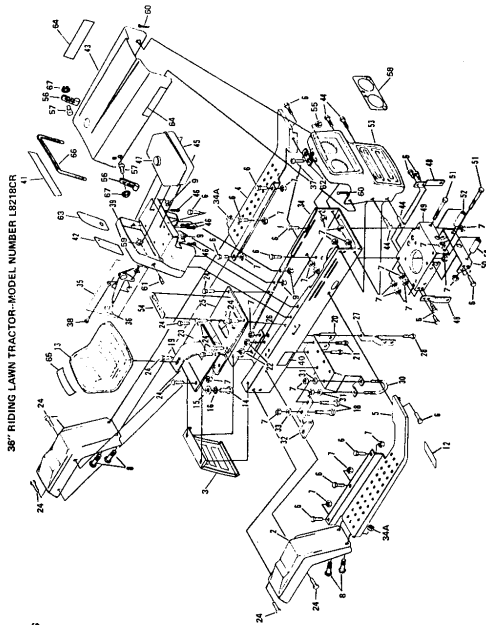
**CLUTCH-BRAKE & DRIVE**



36" RIDING LAWN TRACTOR—MODEL NUMBER L8218CR

**REPAIR PARTS**

**CHASSIS**



36" RIDING LAWN TRACTOR—MODEL NUMBER L8218CR

**REPAIR PARTS**

**CLUTCH-BRAKE & DRIVE**

REF. PART NO.	DESCRIPTION	REF. PART NO.	DESCRIPTION
1	Blt Guide	23	3010P Bolt, Hex Head 5/16 - 18 x 3.4
2	Mex. Woodruff No. 6	24	7120Z Bushing 5/16 - 18 x 3.4
3	60953 5/16 - 18 x 3.4 Washer	25	67400 Pulley, Idler, 18 UNC
4	6095P 5/16 - 18 x 3.4 Hex Washer	26	7120Z Nut, Lock 18 x 1.12
5	52859 Mex. Woodruff No. E1	27	5729P Spring Idler
6	6095P 5/16 - 18 x 3.4 Hex Washer	28	2044J Spring Idler
7	6095P 5/16 - 18 x 3.4 Hex Washer	29	7122Z Pin, Shaft
8	7279A Mid Blt Guide	30	7122Z Clutch Pin 7/8 x 1
9	71241 Brake Rod 7/8 x 18 Ga.	31	3733 Park Brake Rod
10	545P Locknut 3/8 - 18 x 1.12	32	7122Z Clutch Fork
11	545P Locknut 3/8 - 18 x 1.12	33	7122Z Clutch Fork
12	6095P 5/16 - 18 x 3.4 Hex Washer	34	7122Z Clutch Fork
13	6095P 5/16 - 18 x 3.4 Hex Washer	35	7122Z Clutch Fork
14	1010P 3/8 - 24 x 1.375 Hex Washer (Ext. Lockwasher)	36	6725S Foot Pedal
15	7379Z Brake Rod 7/8 x 18 Ga.	37	6725S Foot Pedal
16	7379Z Brake Rod 7/8 x 18 Ga.	38	7122Z Foot Pedal
17	2505P Transom 11/32 x 3/4 x 15 Ga.	39	7122Z Foot Pedal
18	1525B Brake Spring	40	7122Z Foot Pedal
19	1525B Brake Spring	41	7122Z Foot Pedal
20	71239 U.S. Brake	42	7122Z Foot Pedal
21	71201 U.S. Brake	43	7122Z Foot Pedal
22	71201 U.S. Brake	44	7122Z Foot Pedal

**REPAIR PARTS**

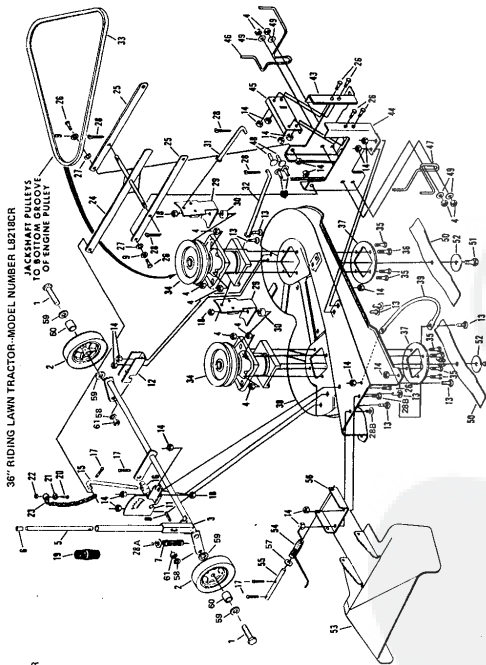
**CHASSIS**

REF. PART NO.	DESCRIPTION	REF. PART NO.	DESCRIPTION
1	3884 Feder, L.H.	35	1564J Remco Control Assy, R/C
2	3891 Feder, R.H.	36	6122J Seat, Foam
3	1135J Foot Rest, L.H.	37	6122J Seat, Foam
4	1135J Foot Rest, R.H.	38	6095P Screw, Hex Washer Hd. Thk. Cutting 1/4 - 20 x 1/2
5	1460J Foot Rest, R.H. 5/16 - 18 x 3/4	39	6095P Screw, Hex Washer Hd. Thk. Cutting 1/4 - 20 x 1/2
6	7578P Nut, Lock 5/16 - 18 UNC	40	7578P Nut, Lock 5/16 - 18 UNC
7	5798P Nut, Lock 5/16 - 18 UNC	41	1135J Dial, Chassis
8	5798P Nut, Lock 5/16 - 18 UNC	42	1135J Dial, Chassis
9	5798P Nut, Lock 5/16 - 18 UNC	43	6776J2 Hood Assy, Washer Hd.
10	5798P Nut, Lock 5/16 - 18 UNC	44	5886P 5/16 - 18 x 3/4
11	5798P Nut, Lock 5/16 - 18 UNC	45	7277Z Seat, Foam
12	1135J Dial, Chassis	46	7277Z Seat, Foam
13	1135J Dial, Chassis	47	74145 Fuel Cap
14	3302P Bolt, Hex Head 7/8 - 13 x 1.12	48	1885J Engine Bracket
15	3302P Bolt, Hex Head 7/8 - 13 x 1.12	49	1885J Engine Bracket
16	1005P Washer, Lock 7/8 - 13 x 1.12	50	2711P Bolt, Hex Head 5/16 - 18 x 2.34
17	2010P Transom Support	51	2711P Bolt, Hex Head 5/16 - 18 x 2.34
18	2010P Transom Support	52	1442J Bushing
19	2010P Transom Support	53	1442J Bushing
20	2010P Transom Support	54	74397 Battery Cap
21	2010P Transom Support	55	74397 Battery Cap
22	5579P Cover Plate Hd. Thk. Rolling 5/16 - 18 x 1/2	56	3065P Nut, Lock
23	5579P Cover Plate Hd. Thk. Rolling 5/16 - 18 x 1/2	57	3065P Nut, Lock
24	5579P Cover Plate Hd. Thk. Rolling 5/16 - 18 x 1/2	58	6924 Screw, Phillips P.H. Engine
25	6776J2 Hood Assy, Washer Hd.	59	6924 Screw, Phillips P.H. Engine
26	6776J2 Hood Assy, Washer Hd.	60	6924 Screw, Phillips P.H. Engine
27	6776J2 Hood Assy, Washer Hd.	61	6924 Screw, Phillips P.H. Engine
28	6776J2 Hood Assy, Washer Hd.	62	6924 Screw, Phillips P.H. Engine
29	6776J2 Hood Assy, Washer Hd.	63	1135J Dial, Chassis
30	11666 Camp 5/16 - 3/4 x 11 Ga.	64	1135J Dial, Chassis
31	11666 Camp 5/16 - 3/4 x 11 Ga.	65	244J Wood Strip
32	71205 Tow High Chassis 3/8 x 1.125 x 6 Ga.	66	244J Wood Strip
33	1132U Nut, Key Jam 5/16 - 18 UNC	67	244J Wood Strip
34	5886P 5/16 - 18 x 3/4		

\*STANDARD HARDWARE—PURCHASE LOCALLY

**REPAIR PARTS**

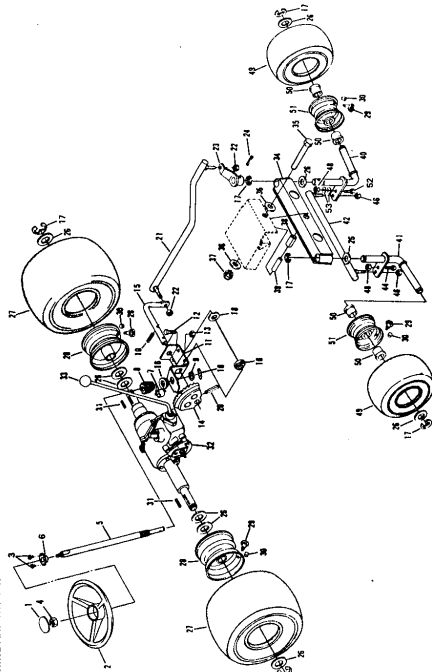
MOWER



36" RIDING LAWN TRACTOR—MODEL NUMBER L821BCR

**REPAIR PARTS**

STEERING AND WHEELS



36" RIDING LAWN TRACTOR—MODEL NUMBER L821BCR

**REPAIR PARTS**

MOWER

REF. NO.	PART NO.	DESCRIPTION
1	3199P	Hex Bolt 3/8 x 2 1/4 x 3/4 Gr. 5
2	67284	Clutch Wheel Assembly
3	545P	Nut, Lock 3/8 - 16 UNC
4	9479R	Cap Lever Plunger
5	8669R	Spring
6	8669R	Spring
7	1599P	Washer, 1/102 x 3/4 x 18 Ga.
8	71300	Bolt, Carriage 5/16 - 18 x 3/4 Gr. 5
9	67237	Adjustment Rod
10	576P	Locknut Washer 3/8 - 16 UNC
11	2503P	*Cover Pin 3/32 x 3/4
12	17172	*Locknut Washer 3/8 - 16 UNC
13	3224P	*Screw, Pan Hd. Machine 1/4 - 20 x 1
14	574P	Nut, Hex Lock 1/4 - 20 UNC
15	72914	Pin, Chain
16	71937	*Pin, Head 5/16 - 18 x 3/4
17	71815	*Pin, Head 5/16 - 18 x 3/4
18	1615P	*Screw, Pan Hd. Machine 1/4 - 20 x 1
19	1615P	*Screw, Pan Hd. Machine 1/4 - 20 x 1
20	1615P	*Screw, Pan Hd. Machine 1/4 - 20 x 1
21	1615P	*Screw, Pan Hd. Machine 1/4 - 20 x 1
22	1615P	*Screw, Pan Hd. Machine 1/4 - 20 x 1
23	1615P	*Screw, Pan Hd. Machine 1/4 - 20 x 1
24	1615P	*Screw, Pan Hd. Machine 1/4 - 20 x 1
25	1615P	*Screw, Pan Hd. Machine 1/4 - 20 x 1
26	1615P	*Screw, Pan Hd. Machine 1/4 - 20 x 1
27	1615P	*Screw, Pan Hd. Machine 1/4 - 20 x 1
28	1615P	*Screw, Pan Hd. Machine 1/4 - 20 x 1
29	1615P	*Screw, Pan Hd. Machine 1/4 - 20 x 1
30	1615P	*Screw, Pan Hd. Machine 1/4 - 20 x 1
31	1615P	*Screw, Pan Hd. Machine 1/4 - 20 x 1
32	1615P	*Screw, Pan Hd. Machine 1/4 - 20 x 1
33	1615P	*Screw, Pan Hd. Machine 1/4 - 20 x 1
34	1615P	*Screw, Pan Hd. Machine 1/4 - 20 x 1
35	1615P	*Screw, Pan Hd. Machine 1/4 - 20 x 1
36	1615P	*Screw, Pan Hd. Machine 1/4 - 20 x 1
37	1615P	*Screw, Pan Hd. Machine 1/4 - 20 x 1
38	1615P	*Screw, Pan Hd. Machine 1/4 - 20 x 1
39	1615P	*Screw, Pan Hd. Machine 1/4 - 20 x 1
40	1615P	*Screw, Pan Hd. Machine 1/4 - 20 x 1
41	1615P	*Screw, Pan Hd. Machine 1/4 - 20 x 1
42	1615P	*Screw, Pan Hd. Machine 1/4 - 20 x 1
43	1615P	*Screw, Pan Hd. Machine 1/4 - 20 x 1
44	1615P	*Screw, Pan Hd. Machine 1/4 - 20 x 1
45	1615P	*Screw, Pan Hd. Machine 1/4 - 20 x 1
46	1615P	*Screw, Pan Hd. Machine 1/4 - 20 x 1
47	1615P	*Screw, Pan Hd. Machine 1/4 - 20 x 1
48	1615P	*Screw, Pan Hd. Machine 1/4 - 20 x 1
49	1615P	*Screw, Pan Hd. Machine 1/4 - 20 x 1
50	1615P	*Screw, Pan Hd. Machine 1/4 - 20 x 1
51	1615P	*Screw, Pan Hd. Machine 1/4 - 20 x 1
52	1615P	*Screw, Pan Hd. Machine 1/4 - 20 x 1
53	1615P	*Screw, Pan Hd. Machine 1/4 - 20 x 1
54	1615P	*Screw, Pan Hd. Machine 1/4 - 20 x 1
55	1615P	*Screw, Pan Hd. Machine 1/4 - 20 x 1
56	1615P	*Screw, Pan Hd. Machine 1/4 - 20 x 1
57	1615P	*Screw, Pan Hd. Machine 1/4 - 20 x 1
58	1615P	*Screw, Pan Hd. Machine 1/4 - 20 x 1
59	1615P	*Screw, Pan Hd. Machine 1/4 - 20 x 1
60	1615P	*Screw, Pan Hd. Machine 1/4 - 20 x 1
61	1615P	*Screw, Pan Hd. Machine 1/4 - 20 x 1
62	1615P	*Screw, Pan Hd. Machine 1/4 - 20 x 1
63	1615P	*Screw, Pan Hd. Machine 1/4 - 20 x 1
64	1615P	*Screw, Pan Hd. Machine 1/4 - 20 x 1
65	1615P	*Screw, Pan Hd. Machine 1/4 - 20 x 1
66	1615P	*Screw, Pan Hd. Machine 1/4 - 20 x 1
67	1615P	*Screw, Pan Hd. Machine 1/4 - 20 x 1
68	1615P	*Screw, Pan Hd. Machine 1/4 - 20 x 1
69	1615P	*Screw, Pan Hd. Machine 1/4 - 20 x 1
70	1615P	*Screw, Pan Hd. Machine 1/4 - 20 x 1
71	1615P	*Screw, Pan Hd. Machine 1/4 - 20 x 1
72	1615P	*Screw, Pan Hd. Machine 1/4 - 20 x 1
73	1615P	*Screw, Pan Hd. Machine 1/4 - 20 x 1
74	1615P	*Screw, Pan Hd. Machine 1/4 - 20 x 1
75	1615P	*Screw, Pan Hd. Machine 1/4 - 20 x 1
76	1615P	*Screw, Pan Hd. Machine 1/4 - 20 x 1
77	1615P	*Screw, Pan Hd. Machine 1/4 - 20 x 1
78	1615P	*Screw, Pan Hd. Machine 1/4 - 20 x 1
79	1615P	*Screw, Pan Hd. Machine 1/4 - 20 x 1
80	1615P	*Screw, Pan Hd. Machine 1/4 - 20 x 1
81	1615P	*Screw, Pan Hd. Machine 1/4 - 20 x 1
82	1615P	*Screw, Pan Hd. Machine 1/4 - 20 x 1
83	1615P	*Screw, Pan Hd. Machine 1/4 - 20 x 1
84	1615P	*Screw, Pan Hd. Machine 1/4 - 20 x 1
85	1615P	*Screw, Pan Hd. Machine 1/4 - 20 x 1
86	1615P	*Screw, Pan Hd. Machine 1/4 - 20 x 1
87	1615P	*Screw, Pan Hd. Machine 1/4 - 20 x 1
88	1615P	*Screw, Pan Hd. Machine 1/4 - 20 x 1
89	1615P	*Screw, Pan Hd. Machine 1/4 - 20 x 1
90	1615P	*Screw, Pan Hd. Machine 1/4 - 20 x 1
91	1615P	*Screw, Pan Hd. Machine 1/4 - 20 x 1
92	1615P	*Screw, Pan Hd. Machine 1/4 - 20 x 1
93	1615P	*Screw, Pan Hd. Machine 1/4 - 20 x 1
94	1615P	*Screw, Pan Hd. Machine 1/4 - 20 x 1
95	1615P	*Screw, Pan Hd. Machine 1/4 - 20 x 1
96	1615P	*Screw, Pan Hd. Machine 1/4 - 20 x 1
97	1615P	*Screw, Pan Hd. Machine 1/4 - 20 x 1
98	1615P	*Screw, Pan Hd. Machine 1/4 - 20 x 1
99	1615P	*Screw, Pan Hd. Machine 1/4 - 20 x 1
100	1615P	*Screw, Pan Hd. Machine 1/4 - 20 x 1

36" RIDING LAWN TRACTOR—MODEL NUMBER L821BCR

**REPAIR PARTS**

STEERING AND WHEELS

REF. NO.	PART NO.	DESCRIPTION
1	1114J	Steering Wheel Inset
2	561P	Steering Wheel
3	561P	Steering Wheel
4	561P	Steering Wheel
5	1599J	Nut, Lock 1/2 - 20 UNF
6	1599J	Nut, Lock 1/2 - 20 UNF
7	1599J	Nut, Lock 1/2 - 20 UNF
8	1599J	Nut, Lock 1/2 - 20 UNF
9	1599J	Nut, Lock 1/2 - 20 UNF
10	67237	Adjustment Rod
11	74577	Steering Bracket, L.H.
12	74577	Steering Bracket, R.H.
13	74577	Steering Bracket, L.H.
14	74577	Steering Bracket, R.H.
15	13242	Steering Rod
16	17098	Bushing
17	17098	Bushing
18	1818P	Washer, 2/102 x 1 - 1/4 x 13 Ga.
19	1818P	Washer, 2/102 x 1 - 1/4 x 13 Ga.
20	72446	Drive Lock Pin
21	72446	Drive Lock Pin
22	72446	Drive Lock Pin
23	72446	Drive Lock Pin
24	72446	Drive Lock Pin
25	72446	Drive Lock Pin
26	72446	Drive Lock Pin
27	72446	Drive Lock Pin
28	72446	Drive Lock Pin
29	72446	Drive Lock Pin
30	72446	Drive Lock Pin
31	72446	Drive Lock Pin
32	72446	Drive Lock Pin
33	72446	Drive Lock Pin
34	72446	Drive Lock Pin
35	72446	Drive Lock Pin
36	72446	Drive Lock Pin
37	72446	Drive Lock Pin
38	72446	Drive Lock Pin
39	72446	Drive Lock Pin
40	72446	Drive Lock Pin
41	72446	Drive Lock Pin
42	72446	Drive Lock Pin
43	72446	Drive Lock Pin
44	72446	Drive Lock Pin
45	72446	Drive Lock Pin
46	72446	Drive Lock Pin
47	72446	Drive Lock Pin
48	72446	Drive Lock Pin
49	72446	Drive Lock Pin
50	72446	Drive Lock Pin
51	72446	Drive Lock Pin
52	72446	Drive Lock Pin
53	72446	Drive Lock Pin
54	72446	Drive Lock Pin
55	72446	Drive Lock Pin
56	72446	Drive Lock Pin
57	72446	Drive Lock Pin
58	72446	Drive Lock Pin
59	72446	Drive Lock Pin
60	72446	Drive Lock Pin
61	72446	Drive Lock Pin
62	72446	Drive Lock Pin
63	72446	Drive Lock Pin
64	72446	Drive Lock Pin
65	72446	Drive Lock Pin
66	72446	Drive Lock Pin
67	72446	Drive Lock Pin
68	72446	Drive Lock Pin
69	72446	Drive Lock Pin
70	72446	Drive Lock Pin
71	72446	Drive Lock Pin
72	72446	Drive Lock Pin
73	72446	Drive Lock Pin
74	72446	Drive Lock Pin
75	72446	Drive Lock Pin
76	72446	Drive Lock Pin
77	72446	Drive Lock Pin
78	72446	Drive Lock Pin
79	72446	Drive Lock Pin
80	72446	Drive Lock Pin
81	72446	Drive Lock Pin
82	72446	Drive Lock Pin
83	72446	Drive Lock Pin
84	72446	Drive Lock Pin
85	72446	Drive Lock Pin
86	72446	Drive Lock Pin
87	72446	Drive Lock Pin
88	72446	Drive Lock Pin
89	72446	Drive Lock Pin
90	72446	Drive Lock Pin
91	72446	Drive Lock Pin
92	72446	Drive Lock Pin
93	72446	Drive Lock Pin
94	72446	Drive Lock Pin
95	72446	Drive Lock Pin
96	72446	Drive Lock Pin
97	72446	Drive Lock Pin
98	72446	Drive Lock Pin
99	72446	Drive Lock Pin
100	72446	Drive Lock Pin

36" RIDING LAWN TRACTOR—MODEL NUMBER L821BCR

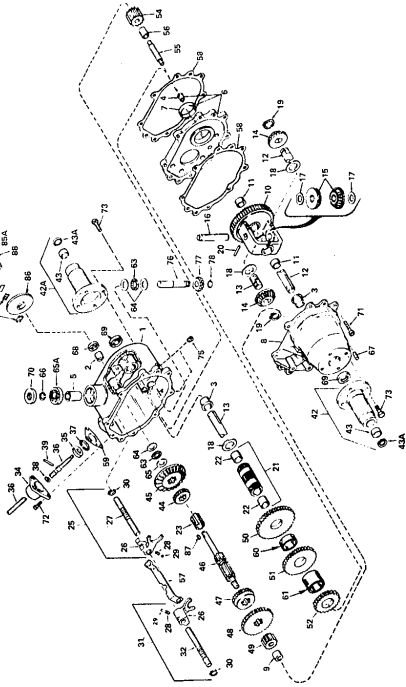
\*STANDARD HARDWARE-PURCHASE LOCALLY

\*STANDARD HARDWARE-PURCHASE LOCALLY

**REPAIR PARTS**

36" RIDING LAWN TRACTOR-MODEL NUMBER L821BCR  
TRANSAKLE NO. 794191A-MODEL NUMBER 143.658A

ALL TRANSAKLE PARTS MUST  
BE PURCHASED THROUGH OUR  
LOCAL TECHNICAL DEALER.



**REPAIR PARTS**

36" RIDING LAWN TRACTOR-MODEL NUMBER L821BCR  
TRANSAKLE NO. 794191A-MODEL NUMBER 143.658A

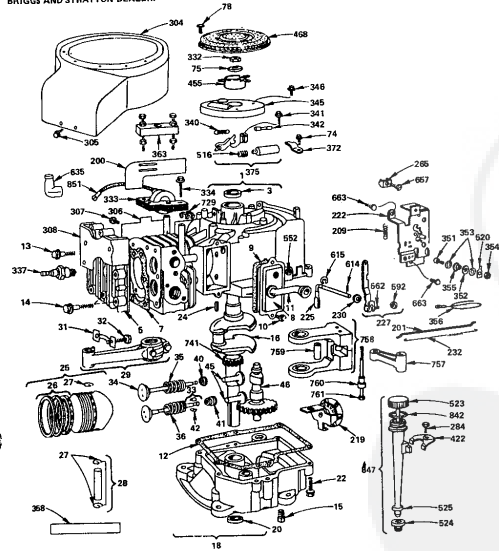
KEY NO.	PART NO.	DESCRIPTION	KEY NO.	PART NO.	DESCRIPTION
1	710217A	Complete Transaxle (inc. No. 2, 3 & 8)	46	710238	Shaft, Shift (3) Term
2	710218	Complete Transaxle (inc. No. 2, 3 & 8)	47	710239	Shaft, Shift (2) & 2 1/2
3	710219	Complete Transaxle (inc. No. 2, 3 & 8)	48	710240	Shaft, Shift (1) Term
4	710220	Complete Transaxle (inc. No. 2, 3 & 8)	49	710241	Shaft, Shift (1) Term
5	710221	Complete Transaxle (inc. No. 2, 3 & 8)	50	710242	Shaft, Shift (1) Term
6	710222	Complete Transaxle (inc. No. 2, 3 & 8)	51	710243	Shaft, Shift (1) Term
7	710223	Complete Transaxle (inc. No. 2, 3 & 8)	52	710244	Shaft, Shift (1) Term
8	710224	Complete Transaxle (inc. No. 2, 3 & 8)	53	710245	Shaft, Shift (1) Term
9	710225	Complete Transaxle (inc. No. 2, 3 & 8)	54	710246	Shaft, Shift (1) Term
10	710226	Complete Transaxle (inc. No. 2, 3 & 8)	55	710247	Shaft, Shift (1) Term
11	710227	Complete Transaxle (inc. No. 2, 3 & 8)	56	710248	Shaft, Shift (1) Term
12	710228	Complete Transaxle (inc. No. 2, 3 & 8)	57	710249	Shaft, Shift (1) Term
13	710229	Complete Transaxle (inc. No. 2, 3 & 8)	58	710250	Shaft, Shift (1) Term
14	710230	Complete Transaxle (inc. No. 2, 3 & 8)	59	710251	Shaft, Shift (1) Term
15	710231	Complete Transaxle (inc. No. 2, 3 & 8)	60	710252	Shaft, Shift (1) Term
16	710232	Complete Transaxle (inc. No. 2, 3 & 8)	61	710253	Shaft, Shift (1) Term
17	710233	Complete Transaxle (inc. No. 2, 3 & 8)	62	710254	Shaft, Shift (1) Term
18	710234	Complete Transaxle (inc. No. 2, 3 & 8)	63	710255	Shaft, Shift (1) Term
19	710235	Complete Transaxle (inc. No. 2, 3 & 8)	64	710256	Shaft, Shift (1) Term
20	710236	Complete Transaxle (inc. No. 2, 3 & 8)	65	710257	Shaft, Shift (1) Term
21	710237	Complete Transaxle (inc. No. 2, 3 & 8)	66	710258	Shaft, Shift (1) Term
22	710238	Complete Transaxle (inc. No. 2, 3 & 8)	67	710259	Shaft, Shift (1) Term
23	710239	Complete Transaxle (inc. No. 2, 3 & 8)	68	710260	Shaft, Shift (1) Term
24	710240	Complete Transaxle (inc. No. 2, 3 & 8)	69	710261	Shaft, Shift (1) Term
25	710241	Complete Transaxle (inc. No. 2, 3 & 8)	70	710262	Shaft, Shift (1) Term
26	710242	Complete Transaxle (inc. No. 2, 3 & 8)	71	710263	Shaft, Shift (1) Term
27	710243	Complete Transaxle (inc. No. 2, 3 & 8)	72	710264	Shaft, Shift (1) Term
28	710244	Complete Transaxle (inc. No. 2, 3 & 8)	73	710265	Shaft, Shift (1) Term
29	710245	Complete Transaxle (inc. No. 2, 3 & 8)	74	710266	Shaft, Shift (1) Term
30	710246	Complete Transaxle (inc. No. 2, 3 & 8)	75	710267	Shaft, Shift (1) Term
31	710247	Complete Transaxle (inc. No. 2, 3 & 8)	76	710268	Shaft, Shift (1) Term
32	710248	Complete Transaxle (inc. No. 2, 3 & 8)	77	710269	Shaft, Shift (1) Term
33	710249	Complete Transaxle (inc. No. 2, 3 & 8)	78	710270	Shaft, Shift (1) Term
34	710250	Complete Transaxle (inc. No. 2, 3 & 8)	79	710271	Shaft, Shift (1) Term
35	710251	Complete Transaxle (inc. No. 2, 3 & 8)	80	710272	Shaft, Shift (1) Term
36	710252	Complete Transaxle (inc. No. 2, 3 & 8)	81	710273	Shaft, Shift (1) Term
37	710253	Complete Transaxle (inc. No. 2, 3 & 8)	82	710274	Shaft, Shift (1) Term
38	710254	Complete Transaxle (inc. No. 2, 3 & 8)	83	710275	Shaft, Shift (1) Term
39	710255	Complete Transaxle (inc. No. 2, 3 & 8)	84	710276	Shaft, Shift (1) Term
40	710256	Complete Transaxle (inc. No. 2, 3 & 8)	85	710277	Shaft, Shift (1) Term
41	710257	Complete Transaxle (inc. No. 2, 3 & 8)	86	710278	Shaft, Shift (1) Term
42	710258	Complete Transaxle (inc. No. 2, 3 & 8)	87	710279	Shaft, Shift (1) Term
43	710259	Complete Transaxle (inc. No. 2, 3 & 8)	88	710280	Shaft, Shift (1) Term
44	710260	Complete Transaxle (inc. No. 2, 3 & 8)	89	710281	Shaft, Shift (1) Term
45	710261	Complete Transaxle (inc. No. 2, 3 & 8)	90	710282	Shaft, Shift (1) Term

**REPAIR PARTS**

36" RIDING LAWN TRACTOR-MODEL NUMBER L821BCR  
BRIGGS & STRATTON 8 H.P. ENGINE-MODEL NO. 191707, TYPE NO. 5627-01

**CYLINDER, CRANKSHAFT AND ENGINE BASE GROUP**

ALL ENGINE PARTS MUST BE PURCHASED THROUGH AND SERVICE PERFORMED BY YOUR LOCAL BRIGGS & STRATTON DEALER.



**REPAIR PARTS**

36" RIDING LAWN TRACTOR-MODEL NUMBER L821BCR  
BRIGGS & STRATTON 8 H.P. ENGINE-MODEL NO. 191707, TYPE NO. 5627-01

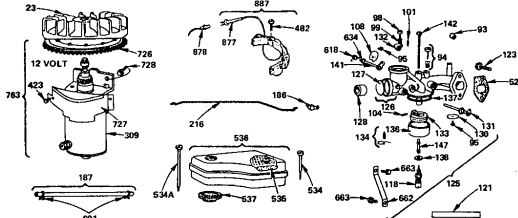
KEY NO.	PART NO.	DESCRIPTION	KEY NO.	PART NO.	DESCRIPTION
1	392005	Cylinder Assembly (Inc. Key No. 3)	227	391733	Lever Assy. - Governor (For 1/4" Dia. Crank)
2	284609	Bushing - Cylinder	230	222450	Washer - Gov. Lever (1/4" I.D.)
3	212288	Seal - Oil	232	260684	Spring - Governor Link
4	212288	Head - Cylinder	233	221539	Clamp - Casing
5	212288	Gasket - Cylinder	234	338024	Screw - Clamp Mtg.
6	391406	Breather Tube Assembly	304	391379	Housing - Blower
7	219031	Gasket - Valve Cover	305	31568	Screw - Blower Housing Mounting Sem
8	93539	Screw - Sem	306	222830	Shield - Cylinder
9	280095	Tube - Breather	307	83163	Screw - Cylinder Shield Mtg. Sem
10	217550	*Gasket - Crankcase Cover - 1/64" Thick	308	222830	Cover - Cylinder Head
11	280095	*Gasket - Crankcase Cover - .005" Thick	332	82284	Nut, Flywheel
12	217876	*Gasket - Crankcase Cover - .009" Thick	333	298983	Armature Assembly
12	217877	*Gasket - Crankcase Cover - .009" Thick	334	93381	Screw, Armature Mounting Sem
13	93211	Screw - Cylinder Head (2 - 21/32" Long)	337	293918	Plug, Spark (1 - 1/2" High - 38 M.M. Resistor)
14	93233	Screw - Cylinder Head (3" Long)	340	NOTE: Ignition Cable Terminal No. 221798	
15	91786	Plug - Oil Drain	340	26018	Spring - Breaker Arm
16	391757	Crankshaft	341	93381	Screw - Breaker Arm Mounting Sem
18	298316	Sump - Oil (Inc. Key No. 12 & 20)	342	65704	Plunger - Breaker Point
20	299423	Seal - Oil	345	222117	Cover - Breaker Point
22	93585	Screw - Sump	348	83705	Screw - Sem
24	61750	Key - Flywheel	351	91820	Screw - Terminal
26	391873	Piston Assy. - Std.	352	86068	Washer - Lock Shakespot
26	391874	Piston Assy. - .010" O.S.	353	92791	Washer - Lock Shakespot
26	391875	Piston Assy. - .020" O.S.	354	90576	Nut - Hex 8 - 32
26	391876	Piston Assy. - .030" O.S.	355	66554	Collar - Insulating
26	299743	Ring Set - Piston - Std. Chrome	358	299577	Wire - Ground
26	391870	Ring Set - Piston - .010" O.S.	368	299577	Gasket Set
26	391871	Ring Set - Piston - .020" O.S.	372	220477	Clamp - Flywheel
26	391872	Ring Set - Piston - .030" O.S.	375	294628	Bracket Points and Condenser Set
27	68546	Lock - Piston Pin	NOTE: 299981 Ignition Kit Includes 294628 Point Set, 85704 Plunger, 61760 Key - Flywheel		
28	295849	Pin Assembly - Piston - Standard	422	222526	Chamf. Oil Filter Tube
28	295841	Pin Assembly - Piston - .005" O.S.	465	222561	Cup - Screen Mounting
29	390402	Rod Assy. - Connecting	468	62262	Screw - Flush Rotating
NOTE: Fit Connecting Rod with .000" Undersize Crankpin Bore - Order No. 390773			516	260374	Spring - Connector
31	222114	Lock - Connecting Rod Screw	523	391840	Cap and Dipstick - Oil Filter
32	93559	Screw - Connecting Rod	524	68838	Seal - Filler Tube
33	390419	Valve - Exhaust	525	83772	Tube - Oil Filter
34	291065	Valve - Intake	525	391823	Tube - Oil Filter
35	65906	Spring - Intake Valve	552	231055	Bushing - Gov. Crank (1/4" I.D.)
35	26208	Spring - Exhaust Valve	614	83308	Cutter - Hair Pin
40	221506	Retainer - Intake Valve	615	93613	Retainer - E Ring
41	292200	Rotocool - Exhaust Valve	635	66538	Elbow - Spark Plug
42	93630	Retainer - Exhaust Valve Rotocool	657	93436	Screw - Sem
45	262933	Tappet - Valve	663	93572	Screw
46	211689	Cam - Governor	729	221807	Clip - Wire
74	93042	Screw - Sems	741	261195	Gear - Timing
75	220805	Washer - Spring	757	212759	Link - Counterweight
78	93055	Screw - Sem	758	391172	Counterweight Assy.
200	221700	Guide - Air	759	298909	Pin - Counterweight
201	262071	Link - Governor	760	290340	Sprocket - Counterweight
209	261306	Screw - Governor	761	93874	Screw - Counterweight
219	392718	Oil Slinger - Gov. Gear and Bracket Assembly	762	270520	Seal - Filter Can
222	390662	Plate - Gov. Control	763	93266	Filler Group - Oil
225	231058	Crank - Gov. (1/4" Dia.)	851	221798	Terminal - Ignition Cable

\*INCLUDED IN GASKET SET - PART NO. 296577



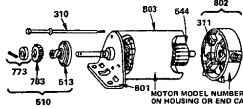
**REPAIR PARTS**

36" RIDING LAWN TRACTOR-MODEL NUMBER L8218CR  
BRIGGS & STRATTON 8 H.P. ENGINE-MODEL NO. 191707, TYPE NO. 5627-01  
AIR CLEANER, CARBURETOR AND FLYWHEEL GROUP



KEY NO.	PART NO.	DESCRIPTION	KEY NO.	PART NO.	DESCRIPTION
23	391983	Flywheel and Ring Gear Assy. - Magneto	218	281117	Link Choke
52	219924	Gasket - Carburetor Mounting	309	392749	Motor and Drive Assy. (See Break-down of Parts Below)
53	23108	Bushing - Throttle Shaft	423	93410	Screw - Sem
64	291691	Valve Assembly - Carburetor Idle			
66	63499	Screw - Throttle and Choke Valve Mtg. Sem	482	93621	Screw - Sem
68	81920	Screw - Machine Fill. Hd. 8-32 x 5/8"			
69	26157	Spring - Throttle Adjustment			
101	83043	Pin - Throttle Stop			
104	230696	*Pin - Float Hinge	534	93622	Screw - Air Cleaner
118	391233	*Valve Needle	534A	93323	Screw - Air Cleaner
121	298852	Carburetor Overhaul Kit	536	279528	Element - Air Cleaner
123	83357	Screw - Carburetor Mtg.	536	391399	Cleaner Assembly - Air
126	390811	Carburetor Assembly	601	53063	Support - Air Cleaner Element (Plastic)
126	298851	Body Assembly - Carburetor	637	270839	Gasket - Air Cleaner
127	221997	*Plug - Washit	637	33063	Clamp - Fuel Pipe
128	211862	Venturi - Carburetor	618	281118	Spring - Choke Return
130	221988	Valve - Throttle	634	210362	Washer - Choke Shaft
131	391512	Shaft and Lever - Throttle	662	222927	Bracket - Carburetor
132	211712	Stop - Throttle	663	93517	Screw
133	298707	Float - Carburetor	663	39134	Gear - Ring
134	298906	Float - Fuel Inlet	727	390233	Cover and Shield - Starter
136	221995	Bowl - Float	728	39023	Screw - Sem
137	218611	Gasket - Float Bowl	877	393814	Diode & Conn. Assembly
138	222014	Washer - Float Bowl	878	393422	Alt. Harness Assembly
141	390664	Shaft and Lever - Choke	887	391529	Stator-Alternator
142	299140	Nozzle - Carburetor			
147	232922	*Screw - Nozzle			
186	87216	Connector - Fuel Pipe			
187	299004	Pipe - Fuel			

**STARTER MOTOR GROUP**

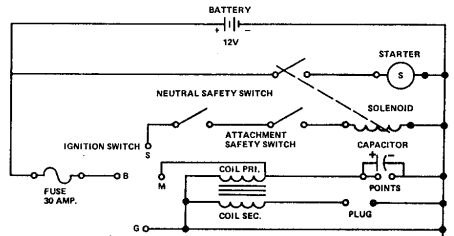


KEY NO.	PART NO.	DESCRIPTION
310	391709	Thru Bolt Assy.
311	391708	Brush Assy.
510	391481	*Drive Assy.
544	392747	Armature Assy.
801	391751	End Cap Assy. Drive
802	390846	End Cap Assy. Commutator
803	392744	Housing Assy.

\* Includes Brush Set  
\* Includes No. 39135 Clutch Assy. (Key No. 513)  
\* Includes No. 890194 Gear (Key No. 783)  
\* Includes No. 391462 Retainer and Pin (Key No. 773)

**REPAIR PARTS**

36" RIDING LAWN TRACTOR-MODEL NUMBER L8218CR  
SCHEMATIC DIAGRAM

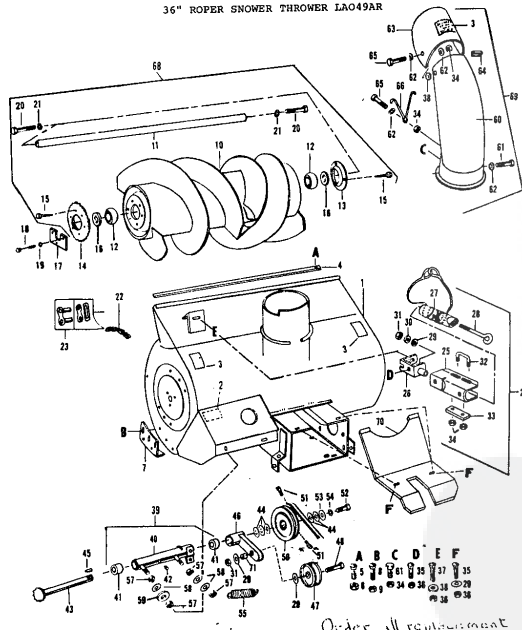


IGNITION SWITCH	
POSITION	CIRCUIT
OFF	M-G
ON	B-L
START	B-S

**WIRING INSULATED CLIPS**

If Insulated Clips were removed for servicing of unit, they should be replaced to properly secure your wiring. There are three Insulated Clips on your Tractor.  
1. L.H. side of Tractor for safety switch wires (Key No. 28, page 14).  
2. R.H. side of Tractor securing wire harness and cable wire (Key No. 31, page 14).  
3. Headlight wire (Key No. 26, page 14).

36" ROPER SNOW THROWER LAO49AR



E519 (10.1.78)

Order all replacement parts for this model snow thrower from HABAN MFG CO. 100 W. W. PARKWAY RACINE, WIS. 53407

36" ROPER SNOW THROWER LAO49AR

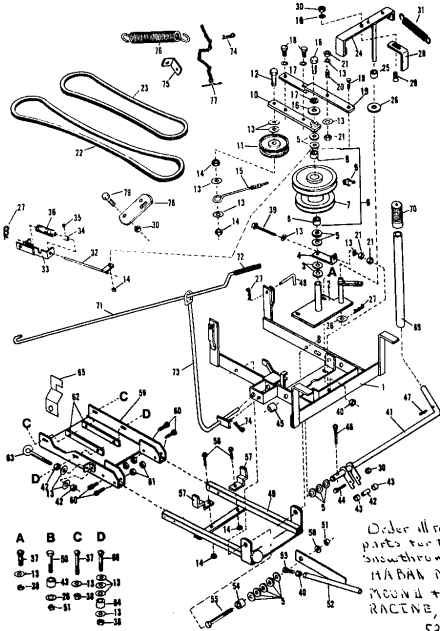
Ref. No.	Part No.	Description	No. Req.	Ref. No.	Part No.	Description	No. Req.
1	11372	Assy-Header & Decal	1	38	4506	* Washer-13/32 x 1-1/2 x 16 ga.	3
2	9713	Decal	1	39	11378	Assy-Jackshaft hsg. & Bushings	1
3	9663	Decal-Warning	3	40	11379	Assy-Jackshaft hsg.	1
4	3013	Blade-Scraper	1	41	3034	Bushing	2
5	7090	* Bolt-1/4-20 x 5/8 carriage	7	42	5074	* Fitting-Grease	1
6	GM271178	* Nut & Lock washer 1/4-20 hex.	2	43	3143	Assy-Jackshaft & sprocket	1
7	3045	Shoe-Skid	7	44	3396	* Washer-49/64 x 1-1/2 x .058 flat	1
8	STD533107	* Bolt-5/16-18 x 3/4 carriage	6	45	STD580103	* Key-3/16 sq. x 1	1
9	GM271184	* Nut & Lock washer 5/16-18 hex.	6	46	11381	Assy-Idler Arm	1
10	9044	Assy-Auger	1	47	11496	Assy-Idler Pulley	1
11	8350	Shaft-Auger	1	48	STD 723725	* Bolt - 3/8-16 x 2-1/2 hex hd	1
12	9052	Bearing-Auger Shaft	2	50	1384	Assy-Pulley & Hub	1
13	5473	Flange-Bearing	1	51	GM-142671	* Screw-Set 5/16-18 x 1/2 sq hd cap pt	2
14	8287	Sprocket-Auger (35 tooth)	1	52	STD523707	* Bolt-3/8-16 x 3/4 hex hd	1
15	9131	* Screw-5/16-18 x 3/4 Self-tapping	9	53	G4446363	* Washer-3/8 x 7/8 x .063 flat	1
16	4143	* Washer-1-1/32 x 1-1/2 x 1/8 flat	2	54	STD551137	* Washer-3/8 med lock Spring	1
17	8185	Plate-Auger mounting	1	55	3059	Washer	1
18	STD523106	* Bolt-5/16-18 x 5/8 hex hd	3	57	STD541050	* Nut-1/2-13 hex	4
19	STD551131	Washer-5/16 med lock	2	58	GM120389	* Washer-1/2 x 1-1/4 x .063 flat	3
20	STD525012	* Bolt-1/2-13 x 1-1/4 hex hd	2	59	6979	Washer	1
21	STD551150	Washer-1/2 med lock	2	60	4957	Assy-Deflector & Elbow	2
22	3911	Chain-Auger Drive (70 links)	1	61	STD522510	* Bolt-1/4-20x1/2 hex hd	2
23	8456	Repair Kit for Chain Bracket	1	62	3903	Washer-Cable	6
24	9283	Assy-Stack Drive	1	63	9766	Assy-Deflect & Deflector	1
25	9030	Shroud-Stack Drive	1	64	6558	Molding-deflector	1
26	9032	Assy-Brt. & Tube	1	65	STD522507	* Bolt-1/4-20 x 3/4 hex hd	3
27	8346	Assy-Cable, Tube & Sleeves	1	66	3076	Hook-Lift Spring	1
28	3955	Eye Bolt-Drive Tube	1	68	9043	Assy-Auger (16) Comp.	1
29	GM120388	* Washer-7/16 x 1 x .063 flat	5	69	6457	Elbow	1
30	4772	Spring-Washer	1	70	11420	Guard-Drive Pulley	1
31	STD541437	Nut-3/8-16 hex lock	2	71	5711	Spacer	1
32	8236	U-Bolt-Level Wind	1				
33	8399	Strap-Friction	1				
34	STD541425	* Nut-1/4-20 hex lock	6				
35	STD533707	* Bolt-3/8-16 x 3/4 carriage	3				
36	GM271190	* Nut & Lock Washer 3/8-16 hex	4				
37	STD533710	* Bolt-3/8-16 x 1 carriage	1				

E520 (10.1.78)

\*standard hardware - purchased locally



36" ROPER SNOW THROWER LA049AR



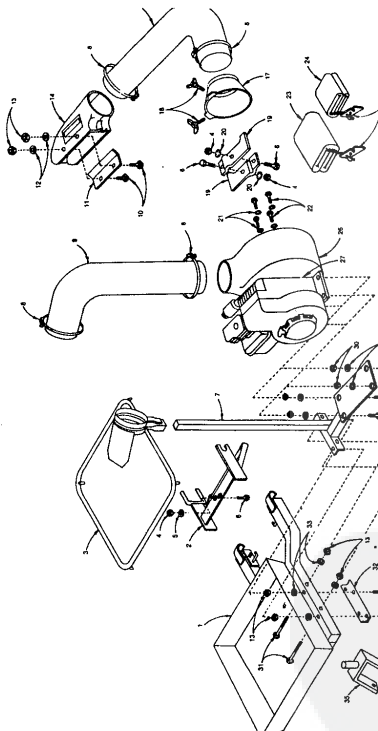
E521 (10.1.78)

36" ROPER SNOW THROWER LA049AR

Ref. No.	Part No.	Description	No. Req.	Ref. No.	Part No.	Description	No. Req.
1	11449	Assy - Mounting Frame (Upper)	1	41	7925	Assy - Lift Bar	1
2	11401	Assy - Pulley Mtg. Brkt.	1	42	3027	Spacer	1
3	STD551075	*Washer - 13/16 x 1-1/2 x .083 flat	1	43	1346	Spacer	1
4	11403	Bracket - 134 Flat	1	44	STD523120	Bolt - 5/16-18 x 2 hex	1
5	3396	*Washer - 49/64 x 1-1/2 x .0598 flat	12	45	6179	Spacer	1
6	9775	Assy - Pulley Hsg (comp)	1	46	GM120123	Pin - Cotter (1/8 x 1 1/2)	1
7	9776	Assy - Pulley Hsg.	1	47	STD551810	Pin - Roll (3/16 x 1)	1
8	8689	Bearing - Needle	2	48	5736	Pin - Locating	2
9	5074	*Fitting - Grease	1	49	9778	Assy - Mounting Frame	1
10	11404	Assy - Clutch Arm	1	50	STD525015	Bolt - 1/2-13 x 1-1/2 hex hd	2
11	11496	Idler pulley	1	51	STD541450	Nut - 1/2-13 hex lock	1
12	STD723725	*Bolt - 3/8-16 x 2-1/2 hex hd	1	52	9796	Assy - Lift brkt.	1
13	GM120388	*Washer - 7/16 x 1" x .083 flat	24	53	6441	Bolt - 3/8-16 x 2 hex hd full thd	1
14	STD541437	*Nut - 3/8-16 hex lock	5	54	11285	Spacer	1
15	11486	Washer - Bolt Gauge	1	55	STD525020	Bolt - 1/2-13 x 2 hex	1
16	GM446363	*Washer - 3/8 x 7/8 x .083 flat	2	56	GM120389	*Washer - 1/2 x 1-1/4 x .083 flat	1
17	STD551137	*Washer - 3/8 med lock	3	57	11461	Stop - Position	2
18	STD523707	*Bolt - 3/8-16 x 3/4 hex hd	4	58	STD523710	Bolt - 3/8-16 x 1 hex	2
19	11407	Bracket - Clutch Lever	1	59	11417	Assy - Pivot Brkt.	1
20	11410	Stud - Brake Release	1	60	STD523117	Bolt - 5/16-18 x 1-3/4 hex hd	4
21	STD541237	*Nut - 3/8-16 hex jam	4	61	STD541431	*Nut - 5/16-18 hex lock	4
22	11361	V-belt	1	62	11418	Strap - Header Channel	2
23	11367	V-belt	1	63	3058	Eye Bolt	2
24	11442	Assy - Belt Brake	1	64	5713	Spacer	2
25	6017	Spacer	3	65	11419	Bracket	1
26	STD551050	*Washer - 17/32 x 1-1/16 x .095	3	66	GM126422	Bolt - 3/8-16 x 2-1/4 carriage	2
27	STD624005	*Pin - Hair	4	69	6078	Handle - Lift	1
28	11414	Popper - V-belt	1	70	3339	Grip - Handle	1
29	STD533110	*Bolt - 5/16-18 x 1" carriage	1	71	4355	Rod - Crank	1
30	GM271184	*Nut & L/washer 5/16 -18 hex	6	72	10840	Handle - Grip	1
31	3059	Spring	1	73	11430	Assy - Crank Support	1
32	11458	Assy - Clutch Rod	1	74	STD624010	Pin - Hair Cotter	2
33	11019	Assy - Clutch Brkt.	1	75	7630	Bracket	1
34	10817	Collar	1	76	4798	Spring - Lift	1
35	4122	*Set Screw - 5/16-18 x 5/16 socket	4	77	5737	Assy - Chain & Toggle	1
36	3077	Spring	1	78	9222	Strap - Rear Mtg.	2
37	STD533710	*Bolt - 3/8-16 x 1 carr	1	79	STD523108	Bolt - 5/16-18 x 5/8 hex hd	4
38	GM271190	*Nut & L/washer 3/8 -16 hex	6	NP	11558	Manual - Instruction and Repair	1
39	6475	*Bolt - 3/8-16 x 3-1/2 full thd hex hd	1				
40	STD541037	*Nut - 3/8-16 Lt hex	6				

E522 (10.1.78)

\*Standard Hardware - Purchased Locally



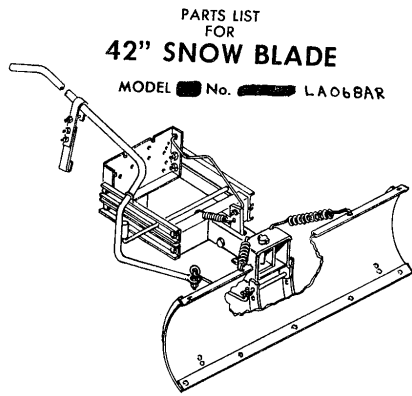
Repair Parts, PEC-301

REPAIR PARTS

LA05 Model Number PEC-301

KEY NO.	PART NUMBER	DESCRIPTION	REQ'D.
1	C-1-A	Tray and Support Assembly	1
2	C-4-N	Hitch Assembly	1
3	C-2-A	Bag Support Ring	1
4	STD-541050	Hex Nut, 1/2-13	3
5	STD	Lockwasher, 1/2 SAE	1
6	STD-525015	Hex Bolt, 1/2-13 x 1-1/2	3
7	C-3-A	Engine Support and Upright	1
8	C-10-A	Hose Clamp, 6" Dia.	4
9	C-18-A	Flex Hose, 6" Dia. x 40" Long	1
10	STD-533710	Carriage Bolt, 3/8-16 x 1	2
11	C-25-A	Boot Clamp Plate	1
12	STD-51037	Flat Washer, 3/8 SAE	2
13	STD-541237	Hex Nut, 3/8-16	6
14	B-361	Boot, 36" Hower Deck	1
16	C-27-A	Flex Hose, 6" Dia. x 36" Long	1
17	C-9-A	Blower Cone, 6" Dia.	1
18	W516182N	Wing Bolt, 5/16-18 x 2	2
19	W516182N	Wing Bolt, 5/16-18 x 2	2
19	C-11-A	Blower Blades (Set)	1
20	STD-551250	Internal Tooth Lockwasher, 1/2	2
21	STD-641231	Internal Tooth Lockwasher, 5/16	4
22	STD-623107	Hex Bolt, 5/16-24 x 7/8	4
23	C-16-A	Canvas Bag	1
24	C-17-A	Canvas Bag Cover	1
25	C-29-A	Full Cord Fastener	2
26	C-8-A	Blower Housing	1
27	143.654192	Tecumseh H35 45462L Model No. 143.654192	1
28	STD-523115	Hex Bolt, 5/16-18 x 1-1/2	4
29	STD-551131	Lockwasher, 5/16 SAE	4
30	STD-541131	Hex Nut, 5/16-18	4
31	STD-523725	Hex Bolt, 3/8-16 x 2-1/2	4
32	C-24-A	Reinforcing Angle	1
33	STD-551137	Lockwasher, 3/8 SAE	4
34	C-27-A	Wheel, 8-1/4" Dia. x 2-3/4 Wide	1
35	C-28-A	Caster Assembly	1
	PEC-301	Owner's Manual	1

Order All Replacement Parts For Model LA05  
PE-CO  
2807 Sweeten Creek Road.  
Ashville, N.C. 28803



**42" SNOW BLADE KIT PARTS LIST**

Order Parts From  
Peeco Inc.  
1902 South Main  
South Bend, Ind  
46613

Part No.	Description	Qty.	Part No.	Part No.	Description	Qty.	Part No.
1	Blade Assembly	1	110001	19	Latch, Lower	1	110071
2	Drawbar Assembly	1	110004	20	Screw, Hex. Hd. Cap (5/16" x 1 1/2")	2	20059
3	Frame Assembly	1	110002	21	Screw, Hex. Hd. Cap (5/16" x 1 1/2")	1	20060
4	Parallel Bar Assembly - Upper	1	110005	22	Screw, Hex. Hd. Cap (3/8" x 1 1/2")	8	20061
5	Parallel Bar Assembly - Lower	1	110006	23	Screw, Hex. Hd. Cap (3/8" x 1 1/2")	1	20043
6	Frame Mount Assembly	1	110007	24	Bolt, Chelega (1/4" x 2 3/4")	5	110010
7	Handle Assembly	1	120051	25	Bolt, Chelega (1/4" x 1 3/4")	4	110044
8	Blade Grip	1	120051	26	Bolt, Flat (1/4" x 1 1/2")	1	110044
9	Link, Index	1	20082	27	Washer, Med. Splitlock (1/4")	5	20012
10	Link, Pivot	1	20085	28	Washer, Med. Splitlock (3/8")	5	20014
11	Link, Side	1	110008	29	Washer, Med. Splitlock (3/8")	5	20058
12	Latch, Upper	1	110007	30	Washer, Plain (5/16" x 3/4")	5	20018
13	Spring, Blade	2	80001	31	Nut, Hex (1/4" x 1/2")	8	20010
14	Spring, Tension	1	80001	32	Nut, Hex (5/16" x 1/2")	5	20020
15	Pin, Quarter	2	80002	33	Nut, Hex (5/16" x 1/2")	8	20010
16	Rod, Control	1	20089	34	Pin, Coner (1/8" x 1")	5	20010
17	Shower, Parallel Bar	8	120058	35	Nut, Hex (5/16" x 1/2")	5	20010
18	Extension, Handle	1	20058	36	Handle Bar Grip	1	80001

MINIMUM PARTS ORDER \$5.00. ALL STANDARD HARDWARE ITEMS MAY BE PURCHASED LOCALLY.