

MASTER PARTS MANUAL

ROTARY MOWERS

RALLY LAWN TRACTORS

MODELS:

M1118AR L0239AR
M6187AR L1219AR
M6517BR L8218AR
M6538AR L8218BR
L8218CR

few { K8327AR LA049AR
K8327BR LA058AR
K8327CR LA068AR

new. Football Exchange.

*Jeune de lames 71285
courvois traction 75794
" tondeuse 69828*

LAWN AND GARDEN
POWER EQUIPMENT

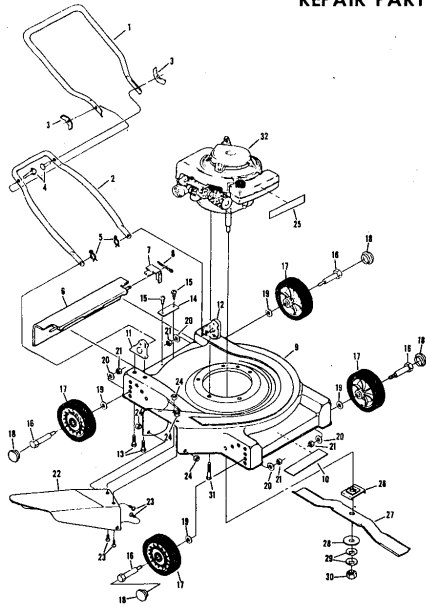
ROPER SALES CORP.

1905 WEST COURT STREET
KANKAKEE, ILLINOIS 60901

PRICE \$2.00
FEBRUARY 1, 1979

ROPER 20" 148 CC 3.5 H.P. ROTARY LAWN MOWER MODEL NUMBER M1118AR

REPAIR PARTS



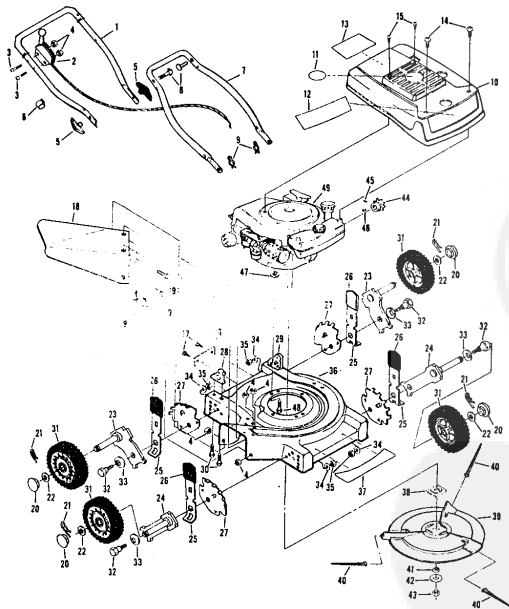
ROPER 20" 148 CC 3.5 H.P. ROTARY LAWN MOWER MODEL NUMBER M1118AR

REPAIR PARTS

Ref. No.	Part No.	Part Name	Ref. No.	Part No.	Part Name
1	64932	Handle - Upper	18	67360	Hub Cap (R.R.-L.R.-R.F.-L.F.)
2	62362	Handle - Lower	19	70080	Washer, Flat Steel .405-.860 X .250 (R.R.-L.R.-R.F.-L.F.)
3	67504	Wing Nut 5/16-18	20	54005	Washer, Flat Steel .405-.860 X .095 (R.R.-L.R.-R.F.-L.F.)
4	58714	Bolt, Handle 5/16-18 X 1 3/4	21	74400	Nut, Lock 3/8-16 (R.R.-L.R.-R.F.-L.F.)
5	51793	Hairpin Cutter - 3/4	22	67731	Discharge Guard
6	72502	Rear Skirt	23	69179	Screw, Machine #10-24 X 1/2
7	72393	Skirt Keeper	24	69100	Nut, Lock #10-24
8	63640	Cutter Pin - 3/4	25	75773	Decal - Fuel Tank
9	79262	Housing W/Silk Screening W/Decal (Incl. Ref. #10)	26	69226	Blade Flange Assembly
10	73221	Decal - Housing	27	69229	Blade
11	62886	Handle Bracket Assembly-Right	28	69385	Washer, Blade
12	62887	Handle Bracket Assembly-Left	29	54867	Washer, Spring (Ballville Type)
13	55187	Screw, Self-Tapping 5/16-18 X 3/4	30	51423	Nut, Nylon 5/8-18
14	75766	Number Plate	31	68205	Screw, Machine Hex Head W/Lock Washer 5/16-18 X 7/8
15	54562	Screw, Self-Tapping #10-24 X 3/8	32	75071	Engine-Model (LAV 25-40945L) (3.5 H.P.) (Tecumseh Products Company)
16	60838	Axle Bolt 3/8-16 (R.R.-L.R.-R.F.-L.F.)			Parts List - Owner's Manual
17	75071	Wheel and Tire Assembly-7" (R.R.-L.R.-R.F.-L.F.)	75768		

ROPER 20" WHIP STIK™ 164CC 4.0 H.P. POWER PROPELLED LAWN MOWER MODEL NUMBER M6187AR

REPAIR PARTS

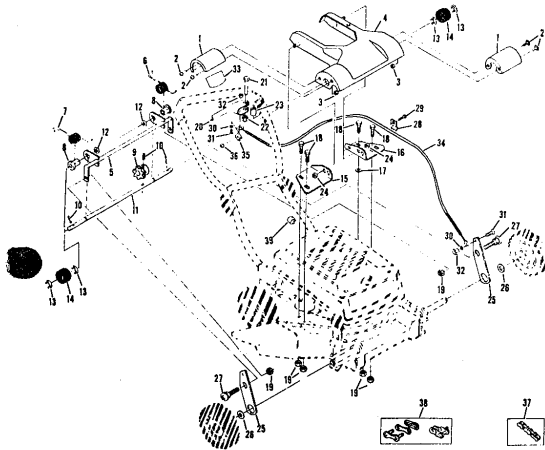


ROPER 20" WHIP STIK™ 164CC 4.0 H.P. POWER PROPELLED LAWN MOWER MODEL NUMBER M6187AR

Ref. No.	Part No.	Part Name	Ref. No.	Part No.	Part Name
1	75193	Handle - Upper	28	62886	Handle Bracket Assembly-Right
2	73445	Remote Control	29	62887	Handle Bracket Assembly-Left
3	69411	Screw, Machine Phillips #10-24 X 1 3/4	30	55187	Screw, Self-Tapping 5/16-18 X 3/4
4	69180	Nut, Lock #10-24	31	72425	Wheel and Tire Assembly-8" (R.R.-L.R.-R.F.-L.F.)
5	58715	Knob - Handle	32	64763	Bolt, Shoulder (Special) 3/8-16 (R.R.-L.R.-R.F.-L.F.)
6	38891	Cable Clip	33	62335	Washer, Belleville .500-1.10 X .082 (R.R.-L.R.-R.F.-L.F.)
7	62362	Handle - Lower	34	62333	Washer, Flat Steel .300-1.437 X .074 (R.R.-L.R.-R.F.-L.F.)
8	58714	Bolt, Handle 5/16-18 X 1 3/4	35	74400	Nut, Lock 3/8-16
9	51793	Hairpin Cutter - 3/4	36	79294	Housing W/Silk Screening W/Decal (Incl. Ref. #37)
10	79285	Engine Shroud Pack (Incl. Ref. #11,12,13)	37	75325	Decal - Housing
11	74779	Decal - Center	38	74654	Flange Assembly
12	73216	Decal - Shroud	39	74199	Pin Holder
13	74656	Decal - Engine Instruction	40	74334	Pin (Three required)
14	73322	Screw, Self-Tapping #8 X 3/4	41	74393	Spacer
15	68246	Screw, Self-Tapping 1/4-20 X 3/4	42	74456	Washer, Belleville .630-1.875 X .129
16	75215	Number Plate	43	51433	Nut, Nylon 5/8-18
17	54562	Screw, Self-Tapping #10-24 X 3/8	44	71851	Spracket 9 Tooth W/2 Set Screw (Incl. Ref. #45)
18	67731	Discharge Guard	45	52828	Set Screw 1/4-28 X 3/16
19	69179	Screw, Machine #10-24 X 1/2	46	52978	Key, Woodruff #5
20	67360	Hub Cap (R.R.-L.R.-R.F.-L.F.)	47	59289	Washer, Flat Steel .328-1 X .097 5/16-18 X 7/8
21	55015	Retainer Clip (R.R.-L.R.-R.F.-L.F.)	48	68205	Screw, Machine Hex Head 5/16-18 X 7/8
22	52160	Washer, Flat Steel .515-1 X .031 (R.R.-L.R.-R.F.-L.F.)	49		Engine-Model (LAV 40-5037SD) (4.0 H.P.) (Tecumseh Products Company)
23	69474	Axle Arm Assembly (R.R.-L.R.-R.F.-L.F.)			Parts List - Owner's Manual
24	73632	Axle Arm Assembly (R.R.-L.R.-R.F.-L.F.)			
25	70683	Selector Spring (R.R.-L.R.-R.F.-L.F.)			
26	70685	Selector Knob (R.R.-L.R.-R.F.-L.F.)			
27	69478	Wheel Adjusting Bracket (R.R.-L.R.-R.F.-L.F.)	75218		

ROPER 20" WHIP STIK™ 164CC 4.0 H.P. POWER PROPELLED LAWN MOWER MODEL NUMBER M6187AR

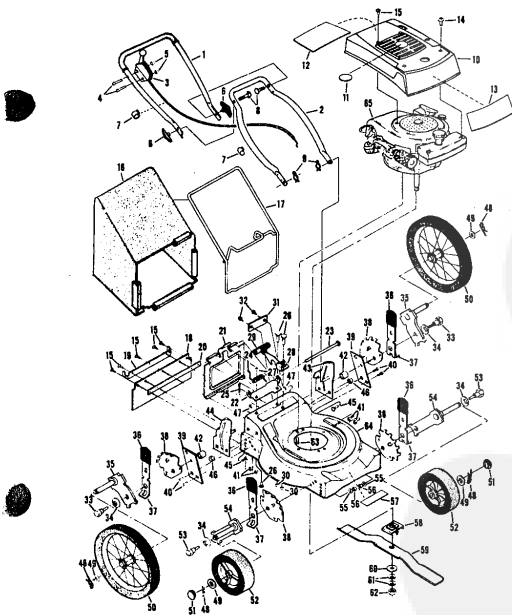
REPAIR PARTS



ROPER 20" WHIP STIK™ 164CC 4.0 H.P. POWER PROPELLED LAWN MOWER MODEL NUMBER M6187AR

Ref. No.	Part No.	Part Name	Ref. No.	Part No.	Part Name
1	73629	Drive Cover	22	72979	Nut, Shoulder (Special) 1/4-28
2	75136	Screw, Machine #10-24 X 1/2	23	73405	Spacer
3	53491	Nut, Lock #10-24	24	52365	E-Ring 3/8 Shaft
4	73787	Chain Cover Assembly	25	74162	Lower Link
5	73626	Yoke Assembly	26	74252	Washer, Flat Steel .531-1.187 X .148
6	73115	Spring - L.H.	27	73916	Bolt, Shoulder (Special) 1/4-20 X 3/4
7	73172	Spring - R.H.	28	73276	Retainer
8	73087	Bearing	29	55187	Screw, Self-Tapping 5/16-18 X 3/4
9	73696	Sprocket - 8 Tooth	30	74190	Spacer
10	52379	Spring Pin 3/16 X 1	31	57155	Screw, Machine #10-24 X 5/8
11	73628	Driven Shaft	32	69180	Nut, Lock #10-24
12	73928	Washer, Flat Steel .628-1.25 X .028	33	73442	Decal - Clutch
13	52364	E-Ring 5/8 Shaft	34	74158	Cable
14	67973	Driver	35	73755	Cable Clamp
15	75113	Pivot - R.H.	36	68662	Screw, Self-Tapping #10 X 7/8
16	75214	Pivot - L.H.	37	74787	Chain #65 (44 Pitch)
17	63128	Washer, Flat Steel .265-3/4 X .082	38	69472	Repair Link Kit (Incl. Offset and Connecting Link)
18	54395	Screw, Hex Head 1/4-20 X 5/8	39	58891	Cable Clip
19	74218	Nut, Lock 1/4-20			
20	74161	Lever			
21	72978	Bolt, Shoulder (Special) 1/4-28 X 1 5/8			

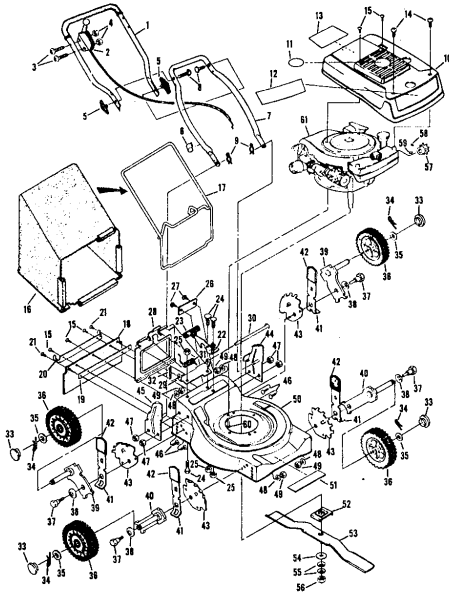
ROPER 20" HIGH WHEEL REAR BAGGER 4.0 H.P. ROTARY LAWN MOWER MODEL NUMBER M6517BR



ROPER 20" HIGH WHEEL REAR BAGGER 4.0 H.P. ROTARY LAWN MOWER MODEL NUMBER M6517BR

Ref. No.	Part No.	Part Name	Ref. No.	Part No.	Part Name
1	74678	Handle - Upper	37	70683	Selector Spring (R.F.-L.F.-R.R.-L.R.)
2	62262	Handle - Lower	38	69478	Wheel Adjusting Bracket (R.F.-L.F.-R.R.-L.R.)
3	73445	Remote Control	40	73403	Bolt, Hex Head 3/8-16 X 5/8 (R.R.-L.R.)
4	69411	Screw, Machine Phillips #10-24 X 1 1/4	41	51961	Nut, Lock 3/8-16 (R.R.-L.R.)
5	69180	Nut, Lock #10-24	42	73713	Spacer (R.R.-L.R.)
6	58715	Knob - Handle	43	78992	Handle Bracket - L.H.
7	58891	Cable Clip	44	78991	Handle Bracket - R.H.
8	58714	Bolt, Handle 5/16-18 X 1 3/4	45	75156	Bolt, Carriage 5/16-18 X 1/2 (R.R.-L.R.)
9	51792	Mainpin Cutter - 3/4	46	74399	Nut, Lock 5/16 X 18
10	79261	Engine Shroud Pack (Incl. Ref. #11, 12, 13)	47	68478	Nut, Lock 5/16 X 18 (R.R.-L.R.)
11	74640	Decal - Center	48	55015	Retainer Clip (R.R.-L.R.-R.F.-L.F.)
12	74909	Decal - Engine Instruction	49	52160	Washer, Flat Steel .515-1 X .031 (R.R.-L.R.-R.F.-L.F.)
13	74960	Decal - Shroud	50	73422	Wheel and Tire Assembly 14.00 X 1.75 (R.R.-L.R.)
14	73322	Screw, Self-Tapping #8 X 3/4	51	67360	Hub Cap
15	68346	Screw, Self-Tapping 1/4-20 X 3/4	52	75073	Wheel and Tire Assembly 8.00 X 1.75 (R.F.-L.F.)
16	75363	Catcher Bag	53	64763	Bolt, Shoulder 3/8-16 (Special) (R.F.-L.F.)
17	72870	Catcher Frame	54	69474	Axle Arm Assembly (R.F.-L.F.)
18	73874	Rear Skin	55	62333	Washer, Flat Steel .300-.437 X .074 (R.F.-L.F.)
19	73176	Catcher Support	56	65543	Nut, Lock 3/8-16 (R.F.-L.F.)
20	73061	Backing Strip	57	73221	Decal - Housing
21	72869	Rear Door	58	69226	Blade Flange Assembly
22	72215	Hinge Bracket	59	69229	Washer, Blade
23	73326	Hinge Rod	60	69385	Washer, Spring (Bellville Type)
24	72962	Spring	62	51433	Nut, Nylok 5-18
25	63640	Cotter Pin - 5/64	63	68205	Screw, Machine Hex Head W Lock Washer 5/16-18 X 7/8
26	73383	Bolt, Carriage 1/4-20 X 5/8 (Special) (R.R.-L.R.)	64	79258	Housing W/316 (With Decal) (Incl. Ref. #2)
27	63601	Nut, Lock 1/4-20	65	73420	Engine-Model (LAV 40-50374D) (Tecumseh Products Co.) 4.0 H.P.
28	72881	Catcher Latch (Incl. Ref. #29)			
29	68618	Knob			
30	74218	Nut, Lock 1/4-20			
31	75614	Number Plate			
32	54562	Screw, Self-Tapping #10-24 X 3/8			
33	73714	Bolt, Shoulder 5/16-18 (Special) (R.R.-L.R.)			
34	62335	Washer, Bellville .505-1.10 X .082 (R.R.-L.R.-R.F.-L.F.)			
35	73420	Axle Arm Assembly (R.R.-L.R.)			
36	70685	Knob-Selector (R.F.-L.F.-R.R.-L.R.)			
				75616	Parts List-Owner's Manual

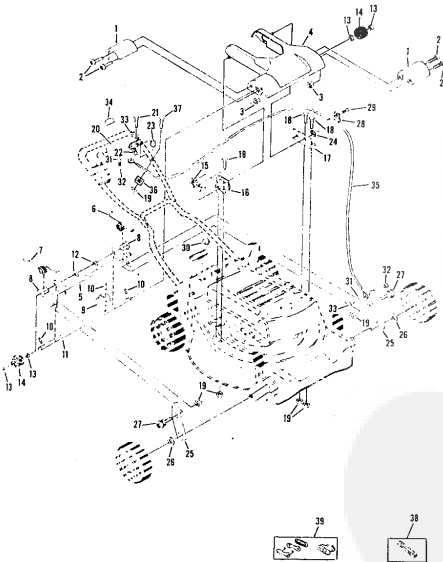
ROPER 20" REAR BAGGER 164CC 4.0 H.P. POWER-PROPELLED
LAWN MOWER MODEL NUMBER M6538AR **REPAIR PARTS**



ROPER 20" REAR BAGGER 164CC 4.0 H.P. POWER-PROPELLED **REPAIR PARTS**
LAWN MOWER MODEL NUMBER M6538AR

Ref. No.	Part No.	Part Name	Ref. No.	Part No.	Part Name
1	76468	Handle - Upper	36	72425	Wheel and Tire Assembly-8" (R.R.-L.R.-R.F.-L.F.)
2	73445	Remote Control	37	64763	Bolt, Shoulder (Special) 3/8-16 (R.R.-L.R.-R.F.-L.F.)
3	69411	Screw, Machine Phillips #10-24 X 1 3/4	38	62335	Washer, Belleville .505-1.10 X .062 (R.R.-L.R.-R.F.-L.F.)
4	69180	Nut, Lock #10-24	39	69474	Axle Arm Assembly (R.F.-L.R.)
5	52715	Knob - Handle	40	73632	Axle Arm Assembly (R.R.-L.R.-L.F.)
6	58891	Cable Clip	41	70683	Selector Spring (R.R.-L.R.-R.F.-L.F.)
7	62362	Handle - Lower	42	70685	Selector Knob (R.R.-L.R.-R.F.-L.F.)
8	52714	Bolt, Handle 5/16-18 X 1 3/4	43	69478	Wheel Adjusting Bracket (R.R.-L.R.-R.F.-L.F.)
9	51793	Mainpin Cutter - 3/4	44	78992	Handle Bracket Assembly-Left
10	79261	Engine Shroud Pack (Incl. Ref. #11,12,13)	45	78991	Handle Bracket Assembly-Right
11	74640	Decal - Center	46	75156	Bolt, Carriage 5/16-18 X 1/2 (R.R.-L.R.)
12	74960	Decal - Shroud	47	74399	Nut, Lock 5/16-18 (R.R.-L.R.)
13	74959	Decal - Engine Instruction	48	62333	Washer, Flat Steel .390-1.457 X .074 (R.R.-L.R.-R.F.-L.F.)
14	73262	Screw, Self-Tapping #8 X 3/4	49	74400	Nut, Lock 3/8-16 (R.R.-L.R.-R.F.-L.F.)
15	68546	Screw, Self-Tapping 1/4-20 X 3/4	50	79269	Housing W/Silk Screening W/Decal (Incl. Ref. #51)
16	75363	Catcher Bag	51	73221	Decal - Housing
17	72870	Catcher Frame	52	69226	Blade Flange Assembly
18	72883	Rear Skirt	53	69229	Blade
19	72061	Backing Strip	54	69285	Washer, Blade
20	73176	Catcher Support	55	54867	Washer, Spring (Belleville Type)
21	73845	Screw, Self-Tapping 1/4-20 X 1/2	56	51633	Nut, Nylok 5/8-16
22	72881	Catcher Latch (Incl. Ref. #23)	57	71851	Sprocket 9 Tooth W/2 Set Screw (Incl. Ref. #58)
23	68618	Knob	58	52826	Set Screw 1/4-28 X 3/16
24	73383	Bolt, Carriage 1/4-20 X 5/8	59	52978	Key, Woodruff #5
25	74218	Nut, Lock 1/4-20	60	68205	Screw, Machine Hex Head 5/16-18 X 7/8
26	75788	Number Plate	61		Engine-Model (LAV 40-50375D) (Tecumseh Products Company) (4.0 H.P.)
27	54562	Screw, Self-Tapping #10-24 X 3/8		75790	Parts List - Owner's Manual
28	72869	Rear Deck			
29	73215	Hinge Bracket			
30	73326	Hinge Rod			
31	72962	Spring			
32	68640	Cutter Pin - 3/4			
33	67360	Hub Cap (R.R.-L.R.-R.F.-L.F.)			
34	55015	Retainer Clip (R.R.-L.R.-R.F.-L.F.)			
35	52160	Washer, Flat Steel .515-1 X .031 (R.R.-L.R.-R.F.-L.F.)			

ROPER 20" REAR BAGGER 164CC 4.0 H.P. POWER-PROPELLED **REPAIR PARTS**
LAWN MOWER MODEL NUMBER M6538AR

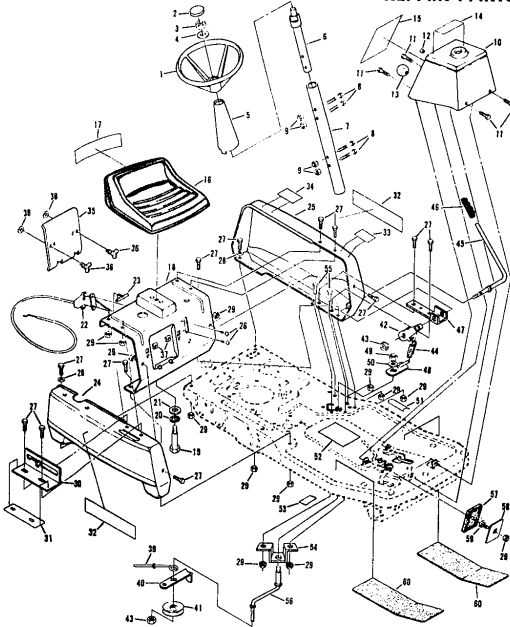


ROPER 20" REAR BAGGER 164CC 4.0 H.P. POWER-PROPELLED **REPAIR PARTS**
LAWN MOWER MODEL NUMBER M6538AR

Ref. No.	Part No.	Part Name	Ref. No.	Part No.	Part Name
1	73629	Drive Cover	22	72979	Nut, Shoulder (Special) 1/4-28
2	75136	Screw, Machine #10-24 X 1/2	23	73405	Spacer
3	53491	Nut, Lock #10-24	24	52365	E-Ring 3/8 Shaft
4	76335	Chain Cover Assembly	25	74162	Lower Link
5	73626	Yoke Assembly	26	74232	Washer, Flat Steel .531-1.187 X .148
6	73115	Spring - L.H.	27	73916	Bolt, Shoulder (Special) 1/4-20
7	73172	Spring - R.H.	28	73276	Retainer
8	73087	Bearing	29	55187	Screw, Self-Tapping 5/16-18 X 3/4
9	72696	Sprocket - 8 Tooth	30	58891	Cable Clip
10	52379	Spring Pin - 3/16 X 1	31	74190	Spacer
11	73628	Driven Shaft	32	57155	Screw, Machine 10-24 X 5/8
12	73928	Washer, Flat Steel .828 - 1.25 X .028	33	69180	Nut, Lock 10-24
13	52364	E-Ring 5/8 Shaft	34	73442	Decal - Clutch
14	67973	Driver	35	76406	Cable
15	75043	Pivot Adjusting Bracket	36	76370	Cable Clamp
16	74617	Pivot - R.H.	37	65131	Screw, Machine 1/4-20 X 1 1/2
17	74618	Pivot - L.H.	38	74787	Chain .65 (44 Pitches)
18	54395	Screw, Hex Head 1/4-20 X 5/8	39	60472	Repair Link Kit (Incl. Offset and Connecting Link)
19	74216	Nut, Lock 1/4-20			
20	74161	Lever			
21	72978	Bolt, Shoulder (Special) 1/4-28 X 1 5/8			

ROPER 32" REAR ENGINE RIDING LAWN MOWER ELECTRIC START 8.0 H.P. MODEL NUMBER K8327AR

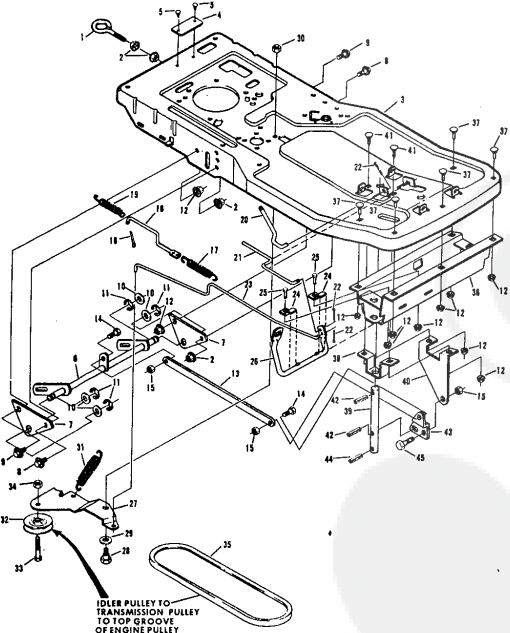
REPAIR PARTS



ROPER 32" REAR ENGINE RIDING LAWN MOWER ELECTRIC START 8.0 H.P. MODEL NUMBER K8327AR

Ref. No.	Part No.	Part Name	Ref. No.	Part No.	Part Name
1	74544	Steering Wheel	29	54922	Nut, Keps 5/16-18
2	74572	Insert Cap	30	74531	Shifter Gate
3	50830	Nut, Lock 1/2-20	31	74560	Decal - Shift
4	53632	Washer, Flat Steel .531-1 X .063	32	74601	Decal-Side Panel (L.H.-R.H.)
5	72705	Steering Shaft Cover	33	74561	Decal-Brake Control
6	74565	Steering Shaft - Upper	34	74512	Decal-Engine Area
7	74582	Steering Shaft Extension	35	72926	Battery Holder
8	69902	Bolt, Hex Head 1/4-20 X 1 1/4	36	73319	Wing Head Stud
9	63601	Nut, Lock 1/4-20	37	73320	Receptacle
10	74523	Console Assembly	38	73321	Split Ring
11	71263	Screw, Thread Cutting 5/16-18 X 1/2	39	72907	Blade Brake Rod
12	71673	Flange Cap	40	74544	Bolt Keeper
13	55862	Knob	41	53018	Idler Pulley
14	75122	Decal-Operating Instructions	42	74613	Spring Arm
15	74558	Decal-Instruction	43	51961	Nut, Lock 3/8-16
16	74563	Seat Assembly	44	75045	Spring
17	75070	Decal - Seat	45	74538	Blade Clutch Lever
18	74563	Front Panel	46	71246	Grip
19	72639	Bolt, Shoulder (Special) 1/2-13	47	74539	Handle Bracket
20	18810	Washer, Lock - 1/2"	48	75339	Control Arm Assembly
21	53034	Washer, Flat Steel .531-1.187 X .127	49	62336	Nut, Lock 3/8-16
22	74537	Remote Control Assembly (Incl. Ref. 123)	50	67510	Washer, Flat Steel .390-5/8 X .090
23	61159	Knob - Remote Control	51	74559	Decal-Enter and Exit
24	74534	Side Panel - R.H.	52	74557	Decal-Brake Instruction
25	74532	Side Panel - L.H.	53	68306	Decal-Clutch and Brake
26	68346	Screw, Self-Topping 1/4-20 X 3/4	54	74542	Idler Support Bracket
27	71949	Screw, Machine Hex Head 5/16-18 X 3/4	55	51630	Bolt, Carriage 5/16-18 X 3/4
28	52915	Washer, Flat Steel .328-1.125 X .063	56	74543	Idler Arm
			57	67665	Foot Pad
			58	67189	Foot Pedal Plate
			59	67613	Bolt, Carriage 5/16-18 X 3/4
			60	72384	Floor Board Pad

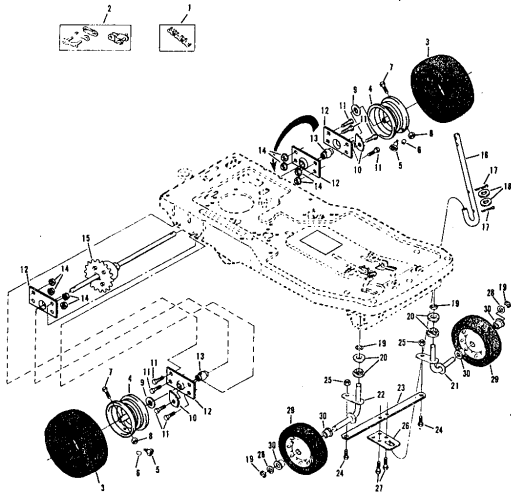
ROPER 32" REAR ENGINE RIDING LAWN MOWER ELECTRIC START 8.0 H.P. MODEL NUMBER K8327AR



ROPER 32" REAR ENGINE RIDING LAWN MOWER ELECTRIC START 8.0 H.P. MODEL NUMBER K8327AR

Ref. No.	Part No.	Part Name	Ref. No.	Part No.	Part Name
1	70530	Tow Hitch - Eyebolt	24	72360	Foot Pedal Clamp
2	55615	Nut, Keps 3/8-16	25	54262	Screw, Machine Hex W/Washer 5/16-18 X 5/8
3	74514	Chassis Assembly	26	72387	Foot Pedal
4	74524	Number Plate	27	67174	Motion Idler
5	61000	Plastic Rivet	28	58855	Bolt, Shoulder (Special) 5/16-24
6	75264	Lever Arm Assembly	29	67725	Washer, Flat Steel .531-1 X .134
7	75265	Side Bracket	30	54928	Nut, Lock 5/16-24
8	55912	Screw, Hex Head 3/8-16 X 3/4	31	73275	Spring - Idler
9	51630	Screw, Hex Head 5/16-18 X 3/4	32	58018	Pulley - Idler
10	53748	Washer, Flat Steel .640-1 X .063	33	55918	Screw, Hex Head 3/8-16 X 1 1/2
11	52364	E-Ring 5/8 Shaft	34	51961	Nut, Hex Lock 3/8-16
12	54922	Nut, Keps 5/16-18	35	67346	V-Belt
13	74545	Parallel Bar	36	72357	Front Member Assembly
14	67394	Bolt, Shoulder 5/16-18 X 3/4	37	72375	Lifter Bracket
15	63124	Nut, Lock 5/16-18	38	74516	Ballcrank Bracket
16	72386	Brake Rod - Rear	39	63079	Bolt, Carriage 5/16-18 X 1
17	64284	Spring	40	74572	Drive Lock Pin Type B
18	2947	Cotter Pin - 3/4	41	74522	Ballcrank
19	62355	Spring	42	73446	Drive Lock Pin Type P
20	74527	Lifter Handle	43	68475	Bolt, Shoulder 5/16-18 X 3/4
21	72361	Parking Brake Rod			
22	63640	Cotter Pin - 3/4			
23	72393	Motion Clutch and Brake Rod			

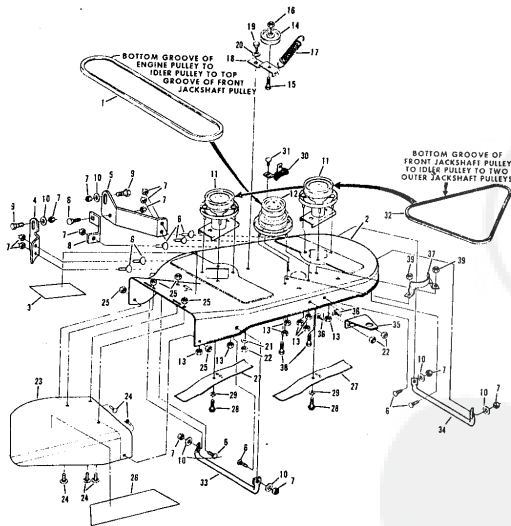
ROPER 32" REAR ENGINE RIDING LAWN MOWER ELECTRIC START 8.0 H.P. MODEL NUMBER K8327AR



ROPER 32" REAR ENGINE RIDING LAWN MOWER ELECTRIC START 8.0 H.P. MODEL NUMBER K8327AR

Ref. No.	Part No.	Part Name	Ref. No.	Part No.	Part Name
1	72818	Chain - 41 (82 Pitch)	17	2655	Cutter Pin - 1/8
2	60474	Repair Link Kit (Incl. Offset and Connecting Link)	18	57911	Washer, Flat Steel .640-1.250 X .063
3	70302	Tire - 13/8.00 X 4 (R.R.-L.R.)	19	53264	E-Ring 5/8 Shaft
4	70301	Rim (R.R.-L.R.)	20	71208	Bushing
5	65139	Valve Stem (R.R.-L.R.)	21	72401	Kingpin - L.H.
6	59192	Valve Cup (R.R.-L.R.)	22	72400	Kingpin - R.H.
7	67349	Bolt, Hex Head 5/16-18 X 1 5/8 (R.R.-L.R.)	23	73358	Tie Bar
8	67818	Nut, Lock 5/16-18 (R.R.-L.R.)	24	55855	Bolt, Shoulder (Special) 5/16-24 (R.F.-L.F.)
9	52966	Washer, Flat Steel .765-1.250 X .060 (R.R.-L.R.)	25	68990	Nut, Lock 5/16-24 (R.F.-L.F.)
10	67703	Chain Adjuster	26	72359	Steering Plate
11	51447	Screw, Hex Head 5/16-18 X 7/8 (R.R.-L.R.)	27	71063	Screw, Hex Head Thread Cutting 5/16-18 X 1/2
12	72382	Bearing Cup (R.R.-L.R.)	28	53848	Washer, Flat Steel .630-1 X .031
13	62346	Bearing (R.R.-L.R.)	29	67350	Wheel and Tire Assembly 10.50 X 3.50 (R.F.-L.F.) (Incl. Ref. #30)
14	54522	Nut, Keps 5/8-18 (R.R.-L.R.)			
15	73523	Differential Assembly (See Page 28)			
16	72547	Steering Shaft	30	64906	Bearing (R.F.-L.F.)

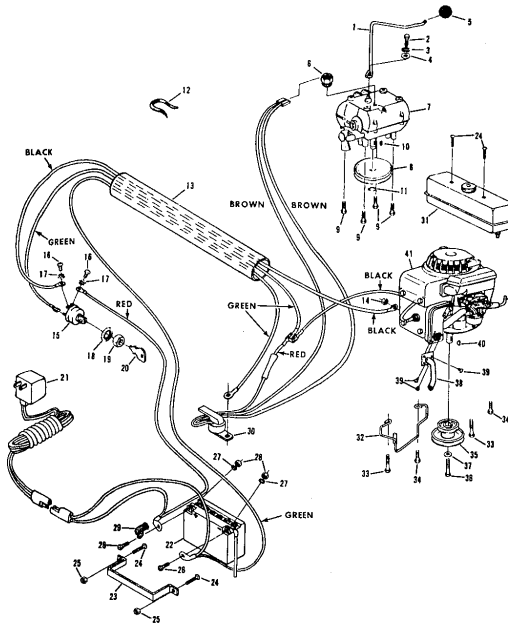
ROPER 32" REAR ENGINE RIDING LAWN MOWER ELECTRIC START 8.0 H.P. MODEL NUMBER K8327AR



ROPER 32" REAR ENGINE RIDING LAWN MOWER ELECTRIC START 8.0 H.P. MODEL NUMBER K8327AR

Ref. No.	Part No.	Part Name	Ref. No.	Part No.	Part Name
1	74212	V-Belt	20	67356	Washer, Flat Steel .630-1 X .050
2	79276	Housing W/Slit Screwing W/Decal (Incl. Ref. #3)	21	55611	Washer, Flat Steel .405-.860 X .172
3	75382	Decal - Housing	22	62336	Nut, Lock 3/8-16
4	74551	Housing Lifter - R.H.	23	71596	Discharge Guard
5	74552	Housing Lifter - L.H.	24	73383	Bolt, Carriage 1/4-20 X 5/8
6	59476	Bolt, Carriage 5/16-18 X 3/4	25	65001	Nut, Lock 1/4-20
7	63124	Nut, Lock 5/16-18	26	75085	Decal - Discharge Guard
8	74553	Strip	27	67405	Blade
9	58909	Bolt, Shoulder (Special) 5/16-18	28	67676	Screw, Machine Hex Head 3/8-24 X 7/8
10	50806	Washer, Flat Steel .328-.750 X .063	29	67354	Washer, Flat Steel .390-2.38 X .156
11	69542	Jackshaft Assembly - Driven	30	68107	Brake Assembly
12	69542	Jackshaft Assembly - Driver	31	73609	Bolt, Hex Head 3/8-16 X 5/8
13	55615	Nut, Keps 3/8-16	32	67398	V-Belt
14	67400	Idler Pulley	33	74548	Skid - R.H.
15	55918	Screw, Hex Head W/Lock Washer 3/8-16 X 1 1/2	34	74549	Skid - L.H.
16	51961	Nut, Lock 3/8-16	35	74550	Mower Support
17	67401	Spring	36	61306	Bolt, Carriage 3/8-16 X 3/4
18	67399	Idler Arm	37	67404	Bolt Knob
19	62361	Bolt, Shoulder (Special) 3/8-16	38	54982	Screw, Hex Head 5/16-18 X 3/4
			39	54922	Nut, Keps 5/16-18

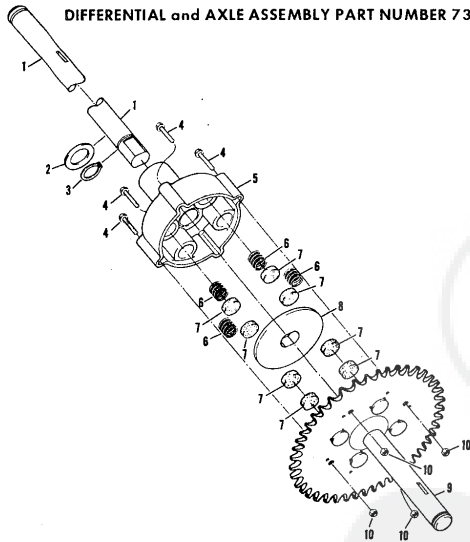
ROPER 32" REAR ENGINE RIDING LAWN MOWER ELECTRIC START 8.0 H.P. MODEL NUMBER K8327AR



ROPER 32" REAR ENGINE RIDING LAWN MOWER ELECTRIC START 8.0 H.P. MODEL NUMBER K8327AR

Ref. No.	Part No.	Part Name	Ref. No.	Part No.	Part Name
1	75266	Shift Lever	24	58609	Screw, Machine 1/4-20 X 5/8
2	75346	Bolt, Hex Head 1/4-28 X 1/2	25	63601	Nut, Lock 1/4-20
3	5081	Washer, Lock 1/4	26		Screw, Hex Head 1/4-20
4	53847	Washer, Flat Steel .265-.750 X .063	27		(Furnished With Battery Pack)
5	55862	Knob	28		Washer, Lock 1/4-20
6	74525	Switch - Transmission	29		(Furnished With Battery Pack)
7	794212	Knob	29	64422	Terminal Block
		Transmission Assembly Model 145-719 (See Pages 30 and 31)	30	74530	Switch - Relay Module
8	73541	Pulley - Transmission	31	74099	Fuel Tank
9	54262	Screw, Machine Hex Head 5/16-18 X 7/8	32	72392	Belt Keeper
10	58349	Key, Woodruff #9	33	74996	Screw, Thread Form 5/16-18 X 1
11	65302	Retainer Ring 5/8 Shaft	34	55187	Screw, Hex Head Topping 5/16-18 X 3/4
12	43174	Wire Tie	35	72398	Engine Pulley
13	74535	Wire Harness	36	68274	Screw, Machine 3/8-24 X 1 3/8
14	53490	Nut, Lock 1/4-20	37	62735	Washer, Flat Steel .375-1.250 X .201
15	72841	Ignition Switch (Incl. Ref. #16, 17, 18, 19, 20)	38	75063	Exhaust Tube
16	67756	Screw, #10-32 X .31	39	36462	Screw, #8 Type AB X 3/8
17	67757	Washer, Lock Internal Tooth #10	40	52859	Key, Woodruff #61
18	67758	Washer, Lock Internal Tooth 5/8	41		Engine Model-WM80-15010SD (Cummins Products Company) (8.0 H.P.)
19	67759	Nut, Hex 5/8-32		74569	Parts List - Owner's Manual
20	67760	Key Set (Pair)			
21	70452	Battery Charger			
22	70451	Battery Pack			
23	72706	Battery Strap			

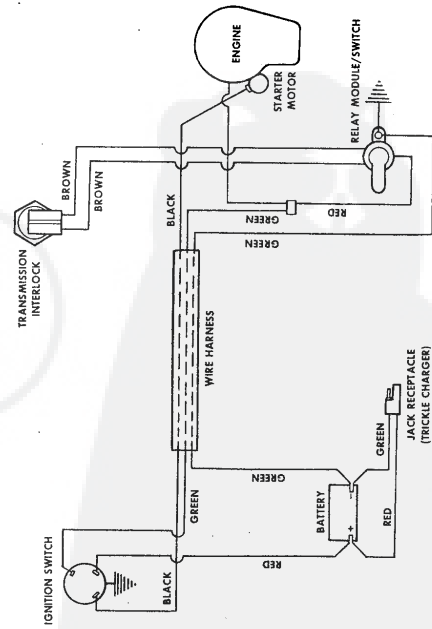
ROPER 32" REAR ENGINE RIDING LAWN MOWER ELECTRIC START 8.0 H.P. MODEL NUMBER K8327AR
DIFFERENTIAL and AXLE ASSEMBLY PART NUMBER 73523



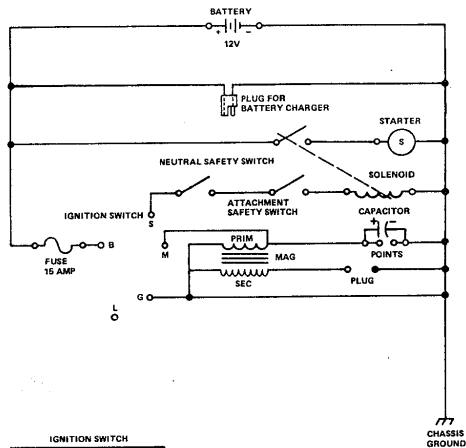
Ref. No.	Part No.	Part Name	Ref. No.	Part No.	Part Name
1	79099	Slip Axle	5	79022	Housing W/Bearings
2	78982	Washer, Thrust .751-1.250 X .0478	6	78979	Spring
3	35586	Retaining Ring	7	78978	Friction Block
4	79017	Screw, Machine Torx Washer Head 5/16-24 - 2	8	78976	Drive Disc
			9	79100	Fixed Axle Assembly
			10	79018	Nut, Lock 5/16-24

WIRING DIAGRAM

ROPER 32" REAR ENGINE RIDING LAWN MOWER ELECTRIC START 8.0 H.P. MODEL NUMBER K8327AR



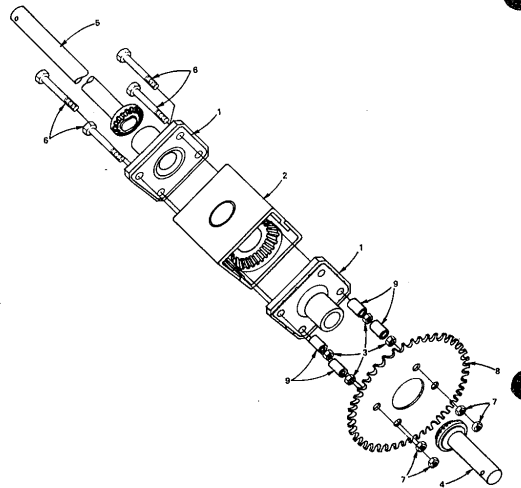
32" REAR ENGINE RIDING LAWN MOWER-MODEL NUMBER K8327BR
SCHEMATIC DIAGRAM



IGNITION SWITCH	
POSITION	CIRCUIT
OFF	M-G
ON	B-L
START	B-S

REPAIR PARTS

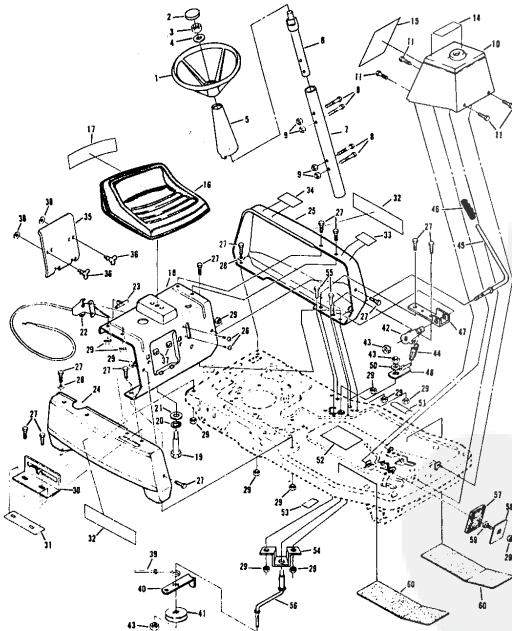
32" REAR ENGINE RIDING LAWN MOWER-MODEL NUMBER K8327BR
DIFFERENTIAL ASSEMBLY PART NUMBER 2112J



KEY NO.	PART NO.	DESCRIPTION
1	2308J	End Cap - Bearing Assembly
2	2305J	Transfer Gear Case Assembly
3	504P	Hex Nut - 5/16 - 18 UNC
4	2310J	Gear Shaft Assembly - Right
5	2311J	Gear Shaft Assembly - Left
6	338P	Hex Bolt (Plated) 5/16 - 18 x 4 - 1/2
7	575P	Locknut - Grippo 5/16 - 18 UNC (Plated)
8	2312J	Sprocket
9	2313J	Sprocket

REPAIR PARTS

32" REAR ENGINE RIDING LAWN MOWER-MODEL NUMBER K8327BR
STEERING AND ENCLOSURE GROUP



REPAIR PARTS

32" REAR ENGINE RIDING LAWN MOWER-MODEL NUMBER K8327BR
STEERING AND ENCLOSURE GROUP

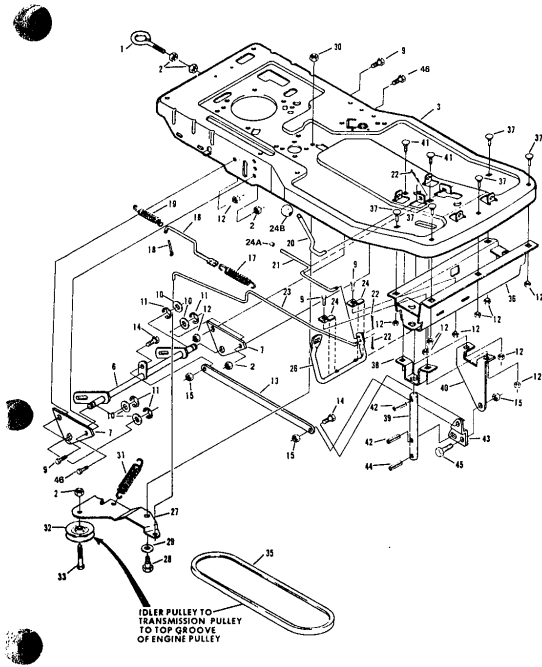
KEY NO.	PART NO.	DESCRIPTION	KEY NO.	PART NO.	DESCRIPTION
1	7456A	Steering Wheel	30	74531	Shifter Gate
2	1114J	Insert Cap	31	74560	Decal - Shift
3	588P	*Jam Nut 1/2 - 20 UNF	32	74601	Decal - Roper
4	1545P	Washer 17/32 x 1 x 18 Ga.	33	74501	Decal - Blade Control
5	72705	Steering Shaft Cover	34	74512	Decal - Engine Area
6	74505	Steering Shaft - Upper	35	72926	Battery Holder
7	74682	Steering Shaft Extension	36	73319	Wing Head Stud
8	3255P	*Bolt, Hex 1/4 - 20 x 1 - 1/4 G. 5	37	23220	Biscuitade
9	588P	Locknut with Washer Insert 1/4 - 20 UNC	38	73321	Split Ring
10	74523	Console Assembly	39	72987	Blade Brake Rod
11	3383P	Screw, Hex Thread Rolling 5/16 - 18 x 1/2	40	74544	Bolt Keeper
14	75122	Decal - Operating Instructions	41	53018	Idler Pulley
15	74558	Decal - Instruction	42	74513	Spring Arm
16	1498J	Seat	43	545P	*Locknut - Grippo 3.8 - 16 UNC
17	75070	Decal - Seat	44	75045	Spring
18	74563	Front Panel	45	74538	Blade Clutch Lever
19	72639	Bolt, Shoulder 1/2 - 13 UNC	46	71246	Grip
20	1002P	*Lockwasher 1/2	47	74539	Handle Bracket
21	1625P	Washer 17/32 x 1 - 3/16 x 12 Ga.	48	75330	Control Arm Assembly
22	1544J	Throttle Control (See Key No. 23)	50	1638P	Washer 13/32 x 7/8 x 6 Ga.
23	61159	Knob - Remote Control	51	74559	Decal - Enter and Exit
24	74534	Side Panel - R.H.	52	74557	Decal - Brake Instruction
25	74532	Side Panel - L.H.	53	376J	Decal - Clutch and Brake
26	5547P	*Screw, Phillips Thuss Hd. Thread Cut 1/4 - 20 x 3/4	54	74542	Idler Support Bracket
27	3386P	Screw, Hex Washer Hd. Machine 5/16 - 18 x 3/4	55	3010P	*Bolt, Hex 5/16 - 18 x 3/4
28	1625P	Washer 17/32 x 1 - 1/8 x 16 Ga.	56	74543	Idler Arm
29	575P	*Locknut - Grippo 5/16 - 18 UNC	57	67265	Foot Pad
			58	67189	Foot Pedal Plate
			59	67613	Bolt, Carriage 5/16 - 18 x 3/4 Special
			60	72384	Floor Board Pad
			...	2086J	Fact and Warranty Tag
			...	2016I	Owner's Manual

*STANDARD HARDWARE - PURCHASE LOCALLY

REPAIR PARTS

32" REAR ENGINE RIDING LAWN MOWER-MODEL NUMBER K8327BR

CHASSIS



REPAIR PARTS

32" REAR ENGINE RIDING LAWN MOWER-MODEL NUMBER K8327BR

CHASSIS

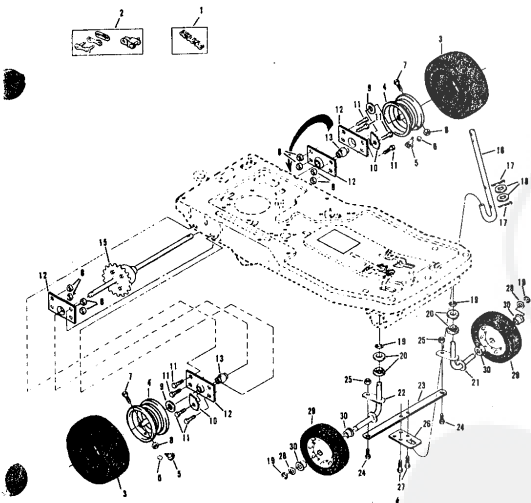
KEY NO.	PART NO.	DESCRIPTION	KEY NO.	PART NO.	DESCRIPTION
1	70530	Tow Hitch - Eyebolt	26	72387	Foot Pad
2	545P	*Locknut, Gripco 3/8 - 16 UNC	27	67374	Motion Filter
3	74914	Chassis	28	59595	Bolt, Shoulder 5/16 - 24 x 1/2
6	75254	Lever Arm Assembly	29	1628P	Washer 17/32 x 1 1/2 x 10 Ga.
7	75265	Side Bracket	30	588P	*Nut, Nylok 5/16 - 24 UNF
9	3010P	*Bolt, Hex 5/16 - 18 x 3/4	31	2044J	Spring - Idler
10	1588P	Washer 21/32 x 1 x 16 Ga.	32	63018	Pulley - Idler
11	5001P	E-Ring	33	6066P	Bolt, Hex with Sems Lockwasher 3/8 - 16 x 1 - 1/2
12	563P	*Locknut, Gripco 5/16 - 18 UNC Gr. B	35	67346	Front Member Assembly
13	24545	Parallel Bar	36	72357	*Bolt, Carriage 5/16 - 18 x 3/4 Gr. 5
14	67394	Bolt, Shoulder 5/16 - 18 x 3/4	37	67P	Lifter Bracket
15	588P	*Locknut, Nylok 5/16 - 18 UNC	38	72375	Spring
16	73798	Brake Rod - Rear	39	74516	Housing Lifter
17	64284	Spring	40	74515	Bolt, Carriage 5/16 - 18 x 1 Gr. 5
18	2003P	*Cotter Pin 3/32 x 3/4	41	68P	Driver Lock Pin - Type B
19	62755	Spring	42	74516	Bolt, Carriage 5/16 - 18 x 1 Gr. 5
20	74521	Lifter Handle	43	74522	Driver Lock Pin - Type B
21	72361	Parking Brake Rod	44	73446	Drive Lock Pin Type F
22	63646	Cotter Pin 5/64 x 3/8	45	68475	Bolt, Shoulder 5/16 - 18 x 3/4
23	72393	Motion Clutch and Brake Rod	46	3021P	Bolt, Hex 3/8 - 16 x 3/4
24	72360	Four Pinion Clamp			
24A	71823	Flange Cap			
24B	55862	Knob			

*STANDARD HARDWARE - PURCHASE LOCALLY

REPAIR PARTS

32" REAR ENGINE RIDING LAWN MOWER-MODEL NUMBER K8327BR

WHEEL GROUP



REPAIR PARTS

32" REAR ENGINE RIDING LAWN MOWER-MODEL NUMBER K8327BR

WHEEL GROUP

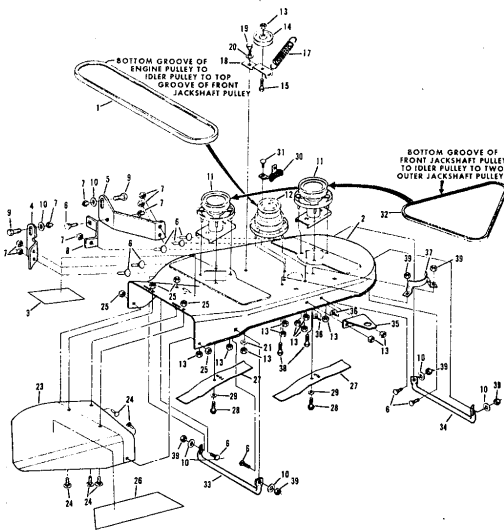
KEY NO.	PART NO.	DESCRIPTION	KEY NO.	PART NO.	DESCRIPTION
1	72818	Chain	16	72547	Steering Shaft
2	80474	Repair Link Kit (Inc. Offset and Connecting Link)	17	2606P	*Cotter Pin 1/8 x 1
3	70302	Tire 13 - 6.00 x 6	18	1628P	Washer 21/32 x 1 - 1/4 x 16 Ga.
4	70301	Rim - Rear	19	5001P	E-Ring
5	65138	Valve Stem	20	71208	Bearing
6	59192	Valve Cap	21	72401	Kingspin - L.H.
7	5385P	*Bolt, Hex 5/16 - 18 x 1 - 5/8 Gr. 5	22	72400	Kingspin - R.H.
8	653P	*Locknut, Gripco 5/16 - 18 UNC Gr. B	23	72358	Tie Bar
9	1617P	Washer 25/32 x 1 - 1/4 x 16 Ga.	24	56855	Bolt, Shoulder - Special 5/16 - 24
10	67703	Chain Adjuster	25	562P	Locknut, Hex with Washer Insert 5/16 - 24 UNF
11	6067P	Bolt, Hex with Sems Lockwasher 5/16 - 18 x 1	26	72359	Steering Plate
12	72382	Bearing Cup	27	3390B	Screw, Thread Rolling 5/16 - 18 x 1/2
13	62346	Bearing	28	1630P	Washer 21/32 x 1 x 21 Ga.
15	2112J	Differential Assembly	29	67350	Wheel and Tire Assembly 11.00 x 4.00 (Inc. Key No. 30)
			30	64906	Bearing

*STANDARD HARDWARE - PURCHASE LOCALLY

REPAIR PARTS

32" REAR ENGINE RIDING LAWN MOWER-MODEL NUMBER K8327BR

MOWER



REPAIR PARTS

32" REAR ENGINE RIDING LAWN MOWER-MODEL NUMBER K8327BR

MOWER

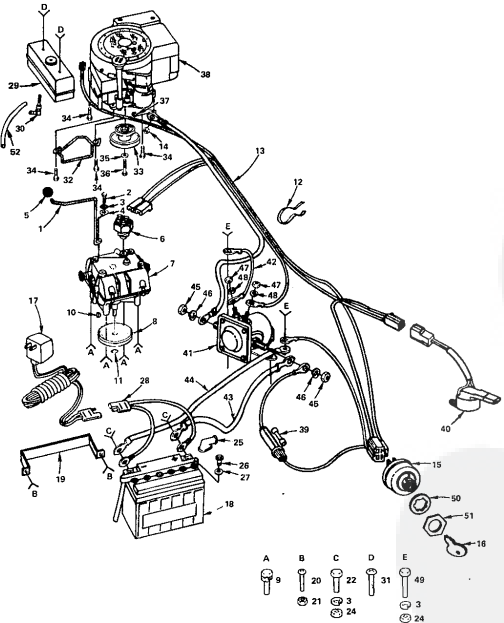
KEY NO.	PART NO.	DESCRIPTION	KEY NO.	PART NO.	DESCRIPTION
1	74212	V-Belt	21	1622P	Washer, 13/32 x 7/8 x 7 Ga.
2	75203	Housing with Silk Screening	22	71596	Discharge Guard
3	75382	Decal - Outer Head	24	70P	*Bolt, Carriage 1/4 - 20 x 3/4 Gr. 5
4	74551	Housing Lifter - R.H.	25	560P	Locknut, Gripco 1/4 - 20 UNC
5	74552	Housing Lifter - L.H.	26	75085	Decal - Discharge Guard
6	69P	*Bolt, Carriage 5/16 - 18 x 3/4 Gr. 5	27	67405	Blade
7	690P	Locknut, Nylon 5/16 - 18 UNC	28	6060P	Screw, Hex Machine w/Sems Lockwasher
8	74553	Strap	29	1631P	Nylon Patch 3/8 - 24 x 7/8 Gr. 5
9	58908	Bolt, Shoulder - Special	30	88107	Washer, 13/32 x 2 - 3/8 x 10 Ga.
10	58908	*Washer 11/32 x 3/4 x 16 Ga.	31	1631P	Brake Assembly
11	71633	Jackshaft Assembly - Driven	32	3021P	*Bolt, Hex 3/8 - 16 x 3/4
12	6925	Jackshaft Assembly - Driver	33	74548	V-Belt
13	545P	Locknut, Gripco 3/8 - 16 UNC	34	74549	Skid - R.H.
14	67400	Idler Pulley	35	74550	Skid - L.H.
15	6066P	Bolt, Hex with Sems Lockwasher 3/8 - 18 x 1 - 1/2	36	19P	Mower Support
16	6066P	Bolt, Hex with Sems Lockwasher 3/8 - 18 x 1 - 1/2	37	67404	*Bolt, Carriage 3/8 - 16 x 3/4
17	67401	Spring	38	8052P	Screw, Hex Head with Sems Lockwasher 5/16 - 18 x 3/4
18	67389	Idler Arm	39	553P	Washer - Special
19	62361	Bolt, Shoulder - Special			
20	67356	Washer - Special			

*STANDARD HARDWARE-PURCHASE LOCALLY

REPAIR PARTS

32" REAR ENGINE RIDING LAWN MOWER-MODEL NUMBER K8327BR

ELECTRICAL



REPAIR PARTS

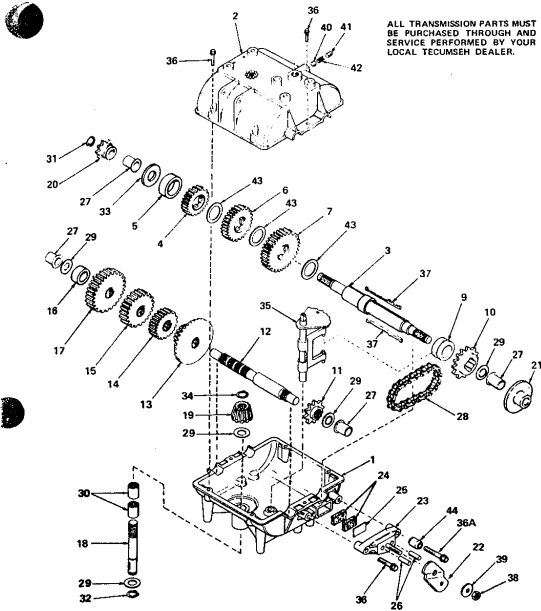
32" REAR ENGINE RIDING LAWN MOWER-MODEL NUMBER K8327BR

ELECTRICAL

KEY NO.	PART NO.	DESCRIPTION	KEY NO.	PART NO.	DESCRIPTION
1	75266	Shift Lever	28	600J	Charger Plug Assembly
2	5386P	Bolt, Hex 1/4 - 28 x 1/2 Gr. 5	29	742J	Fuel Tank
3	1002P	Lockwasher 1/4	30	730J	Fuel Tank Elbow
4	1907P	Washer 9/32 x 3/4 x 16 Ga.	31	3358P	Screw, Trans Hd, Phillips 1/4 - 20 x 5/8
5	6562	Knob	32	677A201	Belt Keeper Assembly
6	74925	Switch - Transmission	33	2188J	Engine Pulley
7	194122A	Transmission Assembly (718A)	34	5606P	Screw, Hex Hd, Thd. Rolling 3/8 - 18 x 1 - 1/2
8	73541	Pulley - Transmission	35	1634P	Washer 3/8 x 1 - 1/4 x 7 Ga.
9	6066P	Bolt w/Sems Lockwasher 5/16 - 18 x 5/8	36	6070P	Screw, Hex Hd, w/Sems Lockwasher 3/8 - 24 x 1 - 3/8 Nylon Patch Gr. 5
10	58349	Key, Woodruff No. 9	37	65053	Key, Woodruff No. 5
11	65302	Retaining Ring	38	191705	Engine, 8 H.P. Briggs & Stratton Type No. 564701
12	43174	Wire Tie	39	6347R	Fuse - 30 Amp.
13	2261J	Wire Harness	40	2053J	Safety Switch
14	63490	Locknut 1/4 - 20	41	7754R	Solenoid
15	4408R	Ignition Switch	42	8021R	Wire, Solenoid Ground
16	7952H	Key	43	665J	Cable Assembly (Battery to Solenoid)
17	70452	Battery Charger	44	2058J	Cable Assembly (Battery to Ground)
18	70451	Battery Pack	45	585P	Nut, Hex 5/16 - 24 UNF
19	72708	Battery Strap	46	1007P	Lockwasher 5/16
20	3397P	Screw, Trans Hd, Phillips 1/4 - 20 x 1/2	47	545P	Nut, Hex No. 10 - 32
21	988P	Locknut, 1/4 - 20 UNC w/Washer Inset	48	1006P	Lockwasher No. 10
22	3114P	Screw, Hex Head 1/4 - 20 x 1/2 (Furnished w/Battery Pack)	49	3003P	Bolt, Hex 1/4 - 20 x 3/4
23	603P	Hex Nut 1/4 - 20	50	67158	Lockwasher, Internal Tooth 5/8
24	603P	Hex Nut 1/4 - 20	51	67759	Nut 5/8 - 32 UNF
25	718J	Terminal Boot	52	2316J	Fuel Line
26	2223J	Cap - Battery			
27	2224J	Gasket - Battery			

REPAIR PARTS

32" REAR ENGINE RIDING LAWN MOWER-MODEL NUMBER K8327BR
TRANSMISSION MODEL NUMBER 719A



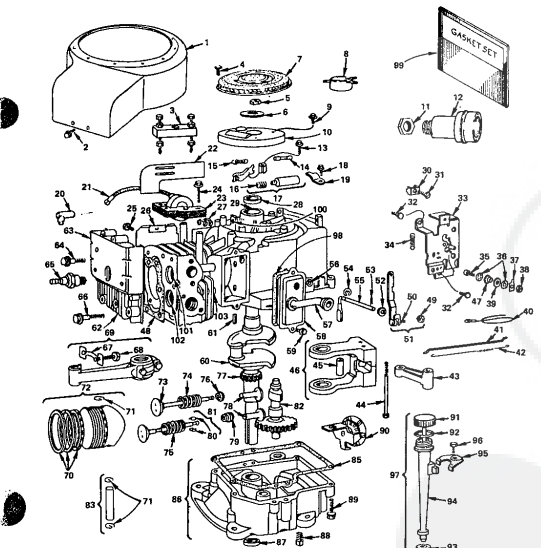
REPAIR PARTS

32" REAR ENGINE RIDING LAWN MOWER-MODEL NUMBER K8327BR
TRANSMISSION MODEL NUMBER 719A

KEY NO.	PART NO.	DESCRIPTION	KEY NO.	PART NO.	DESCRIPTION
1	794212A	Complete Transmission (719A)	25	39007	Plate, Brake pad
2	770061	Case, Transmission	26	78026	Pin, Dowel
3	775070	Shaft, Output and Brake	27	78005	Bushing, Flanged
4	776122	Gear, Spur (20 teeth)	28	76081	Chain, Roller (No. 41 chain, 24 links)
5	785027	Screw, Washer	29	780072	Race, Thrust
6	776123	Gear, Spur (25 teeth)	30	780106	Bearing, Needle
7	776124	Gear, Spur (30 teeth)	31	792072	Ring, Retaining
8	754706	Collar, Shaft	32	780026	Ring, Retaining
9	784706	Sprocket (18 teeth)	33	780109	Washer
10	784803	Sprocket (18 teeth)	34	788040	Ring, Retaining
11	785082	Sprocket (18 teeth)	35	784270	Head & Fork Assy., Shift
12	776134	Shaft, Counter	36	782073	Screw, Hex hd. tapite, 1/4" x 2-1/4"
13	723109	Gear, Sprocket (42 tooth and 15 tooth spur gear)	36A	792085	Screw, Hex hd. tapite, 1/4" x 2-1/4"
14	776126	Gear, Spur (20 teeth)	37	792089A	Key
15	776127	Gear, Spur (25 teeth)	38	782075	Nut, 5/16" 24 lock
16	788071	Sprocket	39	792076	Washer, Flat, 5/16"
17	776129	Gear, Spur (30 teeth)	40	782077	Ball, Steel, 5/16"
18	776135	Shaft, Input	41	792078	Screw, Set, 5/16" 10 x 3/8
19	776133	Sprocket, Input	42	792079	Spring
20	786047	Sprocket (8 teeth)	43	780106	Washer, Thrust
21	795004	Link, Brake	44	786007	Sprocket
22	795005	Lever, Brake			
23	790005	Holder, Brake pad			
24	790006	Pad, Brake			

REPAIR PARTS

32" REAR ENGINE RIDING LAWN MOWER-MODEL NUMBER K8327BR
BRIGGS & STRATTON 8 H.P. ENGINE-MODEL NO. 191705, TYPE NO. 5647-01
CYLINDER, CRANKSHAFT AND ENGINE BASE GROUP



REPAIR PARTS

32" REAR ENGINE RIDING LAWN MOWER-MODEL NUMBER K8327BR
BRIGGS & STRATTON 8 H.P. ENGINE-MODEL NO. 191705, TYPE NO. 5647-01
CYLINDER, CRANKSHAFT AND ENGINE BASE GROUP

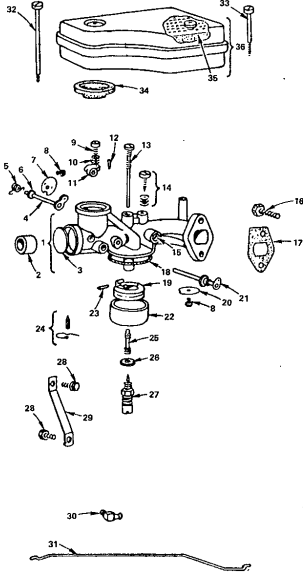
KEY NO.	PART NO.	DESCRIPTION	KEY NO.	PART NO.	DESCRIPTION
1	391379	Housing - Blower	61	61760	Key - Flywheel
2	93188	Screw - Set	62	21286	Cylinder Head
3	18105	Pin - Flywheel	63	222536	Cover - Cylinder Head
4	93805	Screw - Set	64	63211	Screw - 2, 21/32"
5	92284	Nut - Flywheel	65	282918	Spark Plug Resistor
6	220855	Washer - Spring	65	63222	Screw - 3"
7	222502	Screws - Flush Retaining	67	222114	Lock - Connecting Rod Screw
8	222501	Cup - Screen Mfg	68	82559	Screw - Connecting Rod
9	93705	Screw - Set	69	390402	Rod Assy. - Connecting
10	222117	Cover - Breaker Point	70	391699	(Inc. Key No's. 67 & 68)
11	91242	Locknut - Muffler	70	391670	RING SET - PISTON - Std.
12	393010	Muffler - Exhaust	71	391671	.010 Oversize
13	93381	Screw - Breaker Arm	71	391672	.020 Oversize
14	65704	Plunger - Breaker Point	71	391673	.030 Oversize
15	26018	Spring - Breaker Arm	72	391674	.010 Oversize
16	260374	Spring - Connector	72	391675	.020 Oversize
17	294029	Breaker Point & Condenser (Inc. Key No's. 15 & 16)	72	391676	.030 Oversize
18	93042	Screw - Set	73	391676	Intake Valve
19	226477	Clamp - Condenser	73	261095	Spring - Intake Valve
20	65538	Elbow - Spark Plug	74	65006	Retainer - Intake Valve
21	221798	Terminal - Ignition Cable	75	28278	Spring - Exhaust Valve
22	221760	Guide - Air	76	221506	Retainer - Intake Valve
23	298968	Armature Assy.	77	281195	Gear - Timing
24	93391	Screw - Armature	78	650622	Tapset - Valve
25	93183	Screw - Set	79	282260	Rotocoil - Exhaust Valve
26	222830	Shaft - Cylinder	80	93030	Retainer - Exhaust Valve
27	221907	Clip - Wire	81	390419	Exhaust Valve (Inc. Key No. 80)
28	294606	Oil Seal	82	211689	Gear - Cam
29	392876	Cylinder Assembly	83	295640	Pin Assy. - Piston (Inc. Key No. 71)
30	221535	Clamp - Casing	85	295641	Pin Assy. - Piston (.005 Oversize)
31	93496	Screw - Set	85	27750	Gasket - Crankcase Cover - 1/64" thick
32	93572	Screw	85	27876	Gasket - Crankcase Cover - .005" thick
33	390662	Plate - Governor Control	85	27877	Gasket - Crankcase Cover - .006" thick
34	291306	Spring - Governor	86	296816	Oil Sump (Inc. Key No's. 85 and 87)
35	91920	Screw - Terminal	87	296823	Oil Seal
36	92761	Lockwasher	88	91084	Plug - Oil Drain
37	93722	Terminal - Speed	89	93585	Screw - Set
38	90576	Hex Nut No. 8, 32	90	392119	Oil Strainer - Governor
39	66068	Washer - Insulating	91	391840	Cap & Dipstick - Oil Filler
40	299500	Wire - Ground	92	27020	Seal - Filler Cap
41	359971	Link - Governor	93	68828	Seal - Filler Tube
42	260584	Spring - Governor Link	94	260133	Tube - Oil Filler
43	212259	Link - Counterweight	95	222402	Clamp - Oil Filler Tube
44	93874	Screw - Counterweight	96	93804	Screw - Clamp Mfg
45	286009	Pin - Counterweight	97	392065	Filter Group - Oil (Inc. Key No's. 91, 92, 93, 94, 95 & 96)
46	390172	Counterweight Assy.	98	27802	Gasket - Valve Cover
47	85554	Collar - Insulating	99	299577	Gasket Set
48	279430	Gasket - Cylinder Head	100	22513	Bushing - Plunger
49	231082	Hex Nut No. 10, 24	101	211681	Seal - Intake Valve (Std.)
50	92613	Ball - Governor Lever	102	211681	Seal - Exhaust Valve (Std.)
51	391733	Lever Assy. - Governor (Inc. Key No's. 49 & 50)	103	236665	Guide - Exhaust Valve
52	222450	Washer - Governor Lever			
53	83308	Otter - Hair Pin			
54	93207	Retainer - O-Ring			
55	231058	Crank - Governor			
56	231055	Bushing - Governor Crank			
57	280026	Breather Tube			
58	391405	Breather Assy.			
59	93536	Set Screw			
60	391577	Crankshaft			

ALL ENGINE PARTS MUST BE PURCHASED THROUGH AND SERVICE PERFORMED BY YOUR LOCAL BRIGGS AND STRATTON DEALER.

*INCLUDED IN GASKET SET 299577
SPARK ARRESTER ASSEMBLY (OPTIONAL)
391913 Spark Arrester
222537 Deflector
93705 Screw (H required)

REPAIR PARTS

32" REAR ENGINE RIDING LAWN MOWER-MODEL NUMBER K83278R
BRIGGS & STRATTON 8 H.P. ENGINE-MODEL NO. 191705, TYPE NO. 5647-01
CARBURETOR NUMBER 390811



ALL ENGINE PARTS MUST BE PURCHASED THROUGH AND SERVICE PERFORMED BY YOUR LOCAL BRIGGS AND STRATTON DEALER.

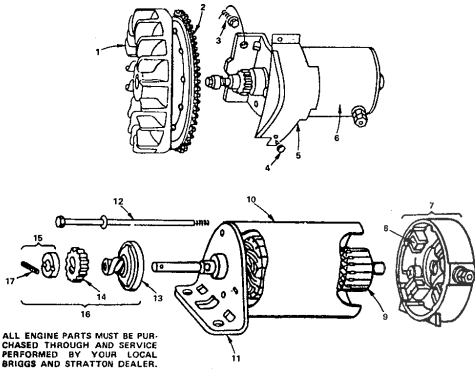
REPAIR PARTS

32" REAR ENGINE RIDING LAWN MOWER-MODEL NUMBER K83278R
BRIGGS & STRATTON 8 H.P. ENGINE-MODEL NO. 191705, TYPE NO. 5647-01
CARBURETOR NUMBER 390811

KEY NO.	PART NO.	DESCRIPTION	KEY NO.	PART NO.	DESCRIPTION
1	209851	Body Ass'y. (Includes Key No. 3)	21	391512	Shaft & Lever - Throttle
2	211852	Venturi - Carburetor	22	221956	Bowl - Float
3	221997	*Plug - Welch	23	230806	*Pin - Float Hinge
4	390684	Shaft and Lever - Choke	24	390606	*Valve - Fuel Inlet
5	261116	Spring - Choke Return	25	230332	*Screw - Nozzle
6	270382	Washer - Choke Shaft	26	220214	*Washer - Float Bowl
7	220310	Valve - Choke	27	381235	*Valve - Needle
8	93499	Screw - Sem	28	93572	Screw
9	91920	Screw - Fil. Hd. Mach. No. 8 - 32 x 5/8	29	220237	Bracket - Carburetor
10	26157	Spring - Throttle Adjustment	30	67219	Connector - Fuel Pipe
11	211712	Stop - Throttle	31	261117	Link - Choke
12	93043	Pin - Throttle Stop	32	93323	Screw - Air Cleaner
13	299740	*Nozzle - Carburetor	33	93822	Screw - Air Cleaner
14	292681	*Valve Ass'y. - Carb. Idle	34	270539	Gasket - Air Cleaner
15	23108	Bushing - Throttle Shaft	35	270528	Element - Air Cleaner
16	93297	Screw - Carburetor Mtg.	36	391599	Air Cleaner Ass'y. (Inc. Key No. 35)
17	270824	*Gasket - Carburetor Mtg.	299852		Carburetor Overhaul Kit (Inc. Parts Marked *)
18	260511	Float - Carburetor	390811		Carburetor Assembly
19	299707	Valve - Throttle			
20	221966	Valve - Throttle			

REPAIR PARTS

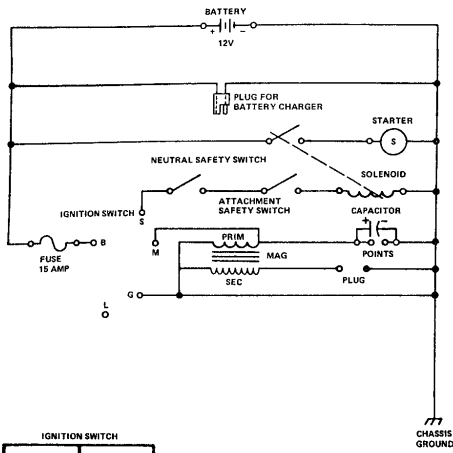
32" REAR ENGINE RIDING LAWN MOWER-MODEL NUMBER K83278R
BRIGGS & STRATTON 8 H.P. ENGINE-MODEL NO. 191705, TYPE NO. 5647-01
FLYWHEEL AND STARTER MOTOR GROUP



ALL ENGINE PARTS MUST BE PURCHASED THROUGH AND SERVICE PERFORMED BY YOUR LOCAL BRIGGS AND STRATTON DEALER.

KEY NO.	PART NO.	DESCRIPTION
1	392034	Flywheel and Ring Gear Ass'y.
2	392134	Gear - Ring
3	93523	Screw - Sem
4	93410	Screw - Sem
5	390233	Cover & Shield - Starter
6	392749	Motor, Starter (Inc. Key No's. 7 thru 17)
7	392646	End Cap Ass'y., Commutator (Inc. Key No. 8)
8	391706	Brush Ass'y.
9	392747	Armature Ass'y.
10	392744	Housing Ass'y.
11	392061	End Cap Ass'y., Drive
12	391706	Thru Bolt Ass'y.
13	391195	Clutch Ass'y.
14	280104	Gear
15	391462	Retainer & Pin (Inc. Key No. 17)
16	391461	Drive Ass'y. (Inc. Key No's. 13, 14 & 15)
17	93754	Roll Pin

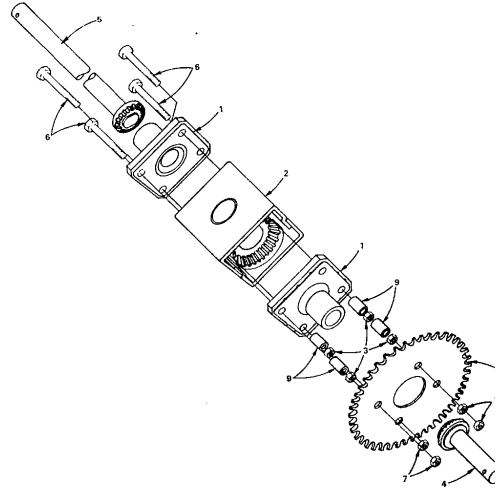
32" REAR ENGINE RIDING LAWN MOWER-MODEL NUMBER K8327CR
SCHEMATIC DIAGRAM



IGNITION SWITCH	
POSITION	CIRCUIT
OFF	M-G
ON	B-L
START	B-S

REPAIR PARTS

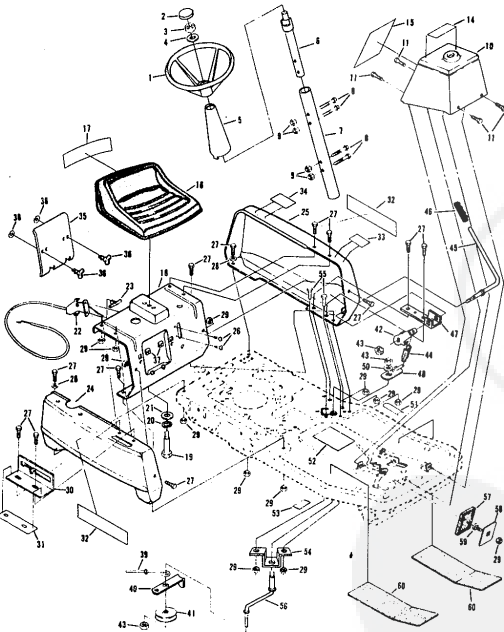
32" REAR ENGINE RIDING LAWN MOWER-MODEL NUMBER K8327CR
DIFFERENTIAL ASSEMBLY PART NUMBER 2112J



KEY NO.	PART NO.	DESCRIPTION
1	2308J	End Cap - Bearing Assembly
2	2308J	Transfer Gear Case Assembly
3	504P	Hex Nut - 5/16 - 18 UNC
4	2310J	Gear Shaft Assembly - Right
5	2311J	Gear Shaft Assembly - Left
6	3280P	Hex Bolt (Plated) 5/16 - 18 x 4 - 1/2
7	575P	Locknut - Gripco 5/16 - 18 UNC (Plated)
8	2312J	Sprocket
9	2313J	Spacer - Sprocket

REPAIR PARTS

32" REAR ENGINE RIDING LAWN MOWER-MODEL NUMBER K8327CR
STEERING AND ENCLOSURE GROUP



REPAIR PARTS

32" REAR ENGINE RIDING LAWN MOWER-MODEL NUMBER K8327CR
STEERING AND ENCLOSURE GROUP

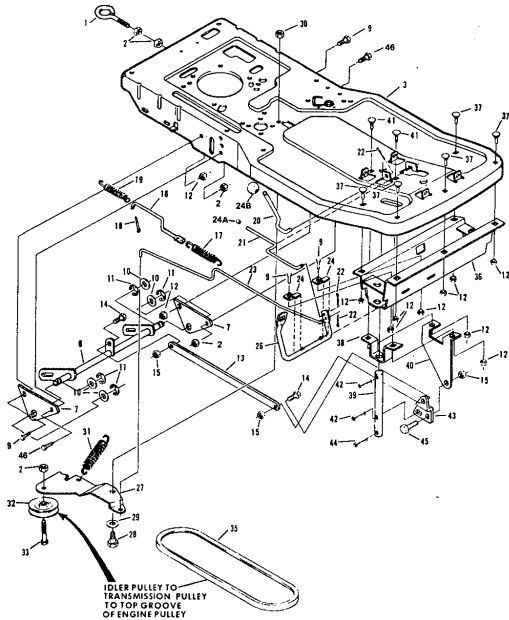
KEY NO.	PART NO.	DESCRIPTION	KEY NO.	PART NO.	DESCRIPTION
1	74564	Steering Wheel	30	74531	Shifter Gate
2	1114J	Insert Cap	31	74580	Decal - Shift
3	558P	*Jam Nut 1/2 - 20 UNF	32	74501	Decal - Roper
4	1549P	Washer 17/32 x 1 x 16 Ga.	33	74501	Decal - Blade Control
5	7270S	Steering Shaft Cover	34	74512	Decal - Engine Area
6	74555	Steering Shaft - Upper	35	7292B	Battery Holder
7	74562	Steering Shaft Extension	36	72319	Wing Head Stud
8	3255P	*Bolt, Hex 1/4 - 20 x 1 - 3/4 Gr. 5	37	73320	Recusacle
9	585P	Locknut with Washer Insert 1/4 - 20 UNC	38	73321	Suit Ring
10	74522	Console Assembly	39	72987	Blade Brake Rod
11	3390P	Screw, Hex, Thread Rolling 5/16 - 18 x 1/2	40	74544	Belt Keeper
14	75122	Decal - Operating Instructions	41	52018	Idler Pulley
15	74558	Decal - Instruction	42	74613	Spring Arm
16	1405J	Seat	44	75045	Locknut - Gripco 3/8 - 16 UNC
17	75070	Decal - Seat	45	74538	Blade Clutch Lever
18	74963	Front Panel	46	7124B	Grip
19	72638	Bolt, Shoulder 1/2 - 13 UNC (Inc. Key No. 23)	47	74539	Handle Bracket
20	1000P	*Lockwasher 1/2	48	75339	Control Arm Assembly
21	1625P	Washer 17/32 x 1 - 3/16 x 12 Ga.	50	1636P	Washer 13/32 x 7/8 x 6 Ga.
22	1544J	Throttle Control	51	74559	Decal - Enter and Exit
23	61159	*Screw, Phillips Truss Hd. Thread Cut 1/4 - 20 x 3/4	52	74557	Decal - Brake Instruction
24	74534	Side Panel - R.H.	53	376J	Decal - Clutch and Brake
25	74522	Side Panel - L.H.	54	74542	Idler Support Bracket
26	5547P	*Screw, Phillips Truss Hd. Thread Cut 1/4 - 20 x 3/4	55	3010P	*Bolt, Hex 5/16 - 18 x 3/4
27	3386P	Screw, Hex Washer Hd. Machine 5/16 - 18 x 3/4	56	74643	Idler Arm
28	1626P	Washer 17/32 x 1 - 1/8 x 16 Ga.	58	67189	Foot Pedal Plate
29	575P	*Locknut - Gripco 5/16 - 18 UNC	59	67613	Bolt, Carriage 5/16 - 18 x 3/4 Special
			60	72384	Floor Board Pad
				2079J	Owners Manual

STANDARD HARDWARE-PURCHASE LOCAL

REPAIR PARTS

32" REAR ENGINE RIDING LAWN MOWER-MODEL NUMBER K8327CR

CHASSIS



REPAIR PARTS

32" REAR ENGINE RIDING LAWN MOWER-MODEL NUMBER K8327CR

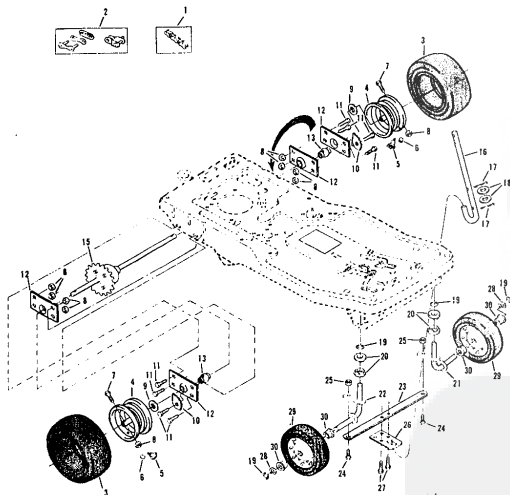
CHASSIS

KEY NO.	PART NO.	DESCRIPTION	KEY NO.	PART NO.	DESCRIPTION
1	70630	Tow Hitch - Eyebolt	28	72387	Foot Pedal
2	5469	*Locknut, Gripco 5/16 - 18 UNC	27	67114	Motion Idler
3	74514	Chassis	28	58855	Bolt, Shoulder 5/16 - 24 x 1/2
6	75284	Lever Arm Assembly	29	1828P	Washer 13/32 x 1 - 1/2 x 10 Ga.
7	75285	Sole Bracket	30	586P	Nut, Nylon 5/16 - 24 UNF
9	3010P	*Bolt, Hex 5/16 - 18 x 3/4	31	2044J	Spring - Idler
10	1580P	Washer 21/32 x 1 x 18 Ga.	32	53018	Pulley - Idler
11	5001P	E-Ring	33	6066P	Bolt, Hex with Sems Lockwasher 3/8 - 18 x 1 - 1/2
12	553P	*Locknut, Gripco 5/16 - 18 UNC Gr. B	35	67348	V-Belt
13	74545	Parallel Bar	36	72357	Front Member Assembly
14	67394	Bolt, Shoulder 5/16 - 18 x 3/4	37	67P	Bolt, Carriage 5/16 - 18 x 3/4 Gr. 5
15	580P	Locknut, Nylon 5/16 - 18 UNC	38	72375	Lifter Bracket
16	73798	Brake Rod - Rear	39	74516	Housing Lifter
17	64294	Spring	40	74515	Ballcrank Bracket
18	2503P	*Cotter Pin 3/32 x 3/4	41	68P	Bolt, Carriage 5/16 - 18 x 1 Gr. 5
19	82755	Spring	42	74576	Drive Lok Pin - Type B
20	74527	Lifter Handle	43	74522	Ballcrank
21	72361	Parking Brake Rod	44	24648	Drive Lok Pin Type F
22	53840	Cotter Pin 5/64 x 3/4	45	68475	Bolt, Shoulder 5/16 - 18 x 3/4
23	72383	Motion Clutch and Brake Rod	46	5021P	Bolt, Hex 5/16 - 18 x 3/4
24	72360	Foot Pedal Clamp			*STANDARD HARDWARE-PURCHASE LOCALLY
24A	71673	Plunger Cap			
24B	55862	Knob			

REPAIR PARTS

32" REAR ENGINE RIDING LAWN MOWER-MODEL NUMBER K8327CR

WHEEL GROUP



REPAIR PARTS

32" REAR ENGINE RIDING LAWN MOWER-MODEL NUMBER K8327CR

WHEEL GROUP

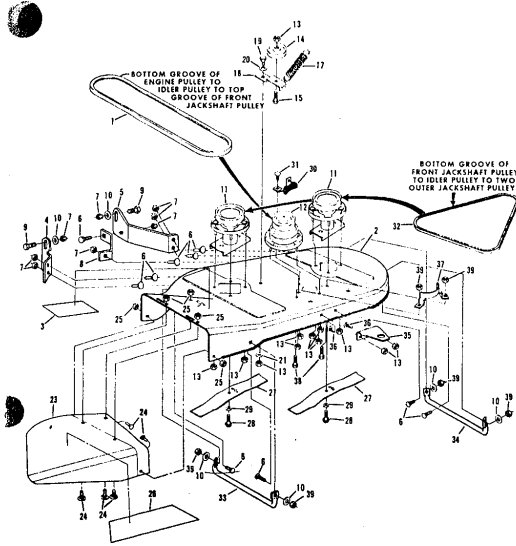
KEY NO.	PART NO.	DESCRIPTION	KEY NO.	PART NO.	DESCRIPTION
1	72818	Chain	18	72547	Steering Shaft
2	60474	Repair Link Kit (Inc. Offset and Connecting Links)	17	2506P	*Cotter Pin 1/8 x 1
3	70302	Tire 13 - 5.00 x 6	16	1623P	Washer 21/32 x 1 - 1/4 x 16 Ga.
4	70301	Rim - Rear	19	6001P	E-Ring
5	65129	Valve Stem	20	71208	Bearing
6	59132	Valve Cap	21	72401	Kingpin - L.H.
7	3395P	*Bolt, Hex 5/16 - 18 x 1 - 5/8 Gr. 5	22	72400	Kingpin - R.H.
8	553P	*Locknut, Gripco 5/16 - 18 UNC Gr. B	23	72358	Tie Bar
9	1617P	Washer 25/32 x 1 - 1/4 x 16 Ga.	24	58855	Bolt, Shoulder - Special 5/16 - 24
10	67703	Chain Adjuster	25	582P	Locknut, Hex with Washer Insert 5/16 - 24 UNF
11	6067P	Bolt, Hex with Sems Lockwasher 5/16 - 18 x 1	26	72359	Steering Plate
12	72382	Bearing Cup	27	3393P	Screw, Thread Rolling 5/16 - 18 x 1/2
13	62348	Bearing	28	1830P	Washer 21/32 x 1 x 21 Ga.
15	2112J	Differential Assembly	29	67350	Wheel and Tire Assembly 11.00 x 4.00 (Inc. Key No. 30)
			30	64906	Bearing

*STANDARD HARDWARE-PURCHASE LOCALLY

REPAIR PARTS

32" REAR ENGINE RIDING LAWN MOWER—MODEL NUMBER K8327CR

MOWER



REPAIR PARTS

32" REAR ENGINE RIDING LAWN MOWER—MODEL NUMBER K8327CR

MOWER

KEY NO.	PART NO.	DESCRIPTION	KEY NO.	PART NO.	DESCRIPTION
1	74212	V Belt	21	1622P	Washer, 13/32 x 7/8 x 7 Ga.
2	78293	Housing with Silk Screening	23	71596	Discharge Guard
3	76382	Decal - Cutter Head	24	70P	*Bolt, Carriage 1/4 - 20 x 3/4 Gr. 5
4	79521	Housing Lifter - R.H.	26	5699P	Locknut, Gripco 1/4 - 20 UNC
5	74552	Housing Lifter - L.H.	28	75485	Decal - Discharge Guard
6	67P	*Bolt, Carriage 5/16 - 18 x 3/4 Gr. 5	27	67405	Blank
7	588P	Locknut, Nylon 5/16 - 18 UNC	28	6062P	Screw, Hex Machine w/Sems Lockwasher
8	74553	Strip	29	1631P	Nylon Patch 3/8 - 24 x 7/8 Gr. 5
9	5890B	Bolt, Shoulder - Special	30	88107	Washer 13/32 x 2 - 3/8 x 10 Ga.
10	50806	Washer 11/32 x 3/4 x 16 Ga.	31	5021P	Brake Assembly
11	71033	Jackshaft Assembly - Driver	32	67398	*Bolt, Hex 3/8 - 16 x 3/4
12	69522	Jackshaft Assembly - Driver	33	74548	V Bolt
13	545P	Locknut, Gripco 3/8 - 16 UNC	34	74548	Skid - R.H.
14	67400	Idler Pulley	35	74550	Mower Support
15	6066P	Bolt, Hex with Sems Lockwasher 3/8 - 16 x 1 - 1/2	36	189P	*Bolt, Carriage 3/8 - 16 x 3/4
17	67401	Spring	37	67404	Bolt Snubber
18	67299	Idler Arm	38	6052P	Screw, Hex Head with Sems Lockwasher 5/16 - 18 x 3/4
19	62361	Bolt, Shoulder - Special	39	553P	Locknut, Gripco 5/16 - 18 UNC
20	67356	Washer - Special			

REPAIR PARTS

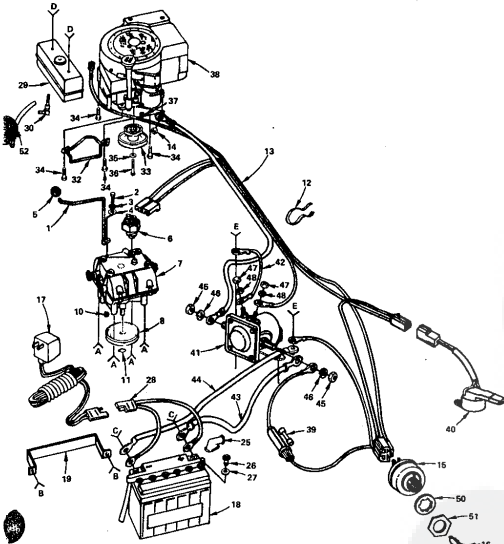
32" REAR ENGINE RIDING LAWN MOWER—MODEL NUMBER K8327CR

ELECTRICAL

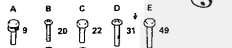
REPAIR PARTS

32" REAR ENGINE RIDING LAWN MOWER—MODEL NUMBER K8327CR

ELECTRICAL

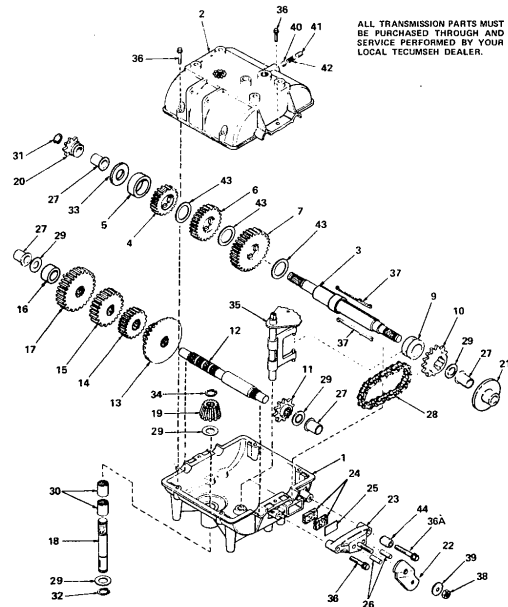


KEY NO.	PART NO.	DESCRIPTION	KEY NO.	PART NO.	DESCRIPTION
1	75266	Shift Lever	28	600J	Charger Plug Assembly
2	3389P	Bolt, Hex 1/4 - 28 x 1/2 Gr. 5	29	742J	Fuel Tank
3	1600P	Lockwasher 1/4	30	739J	Fuel Tank Elbow
4	1507P	Washer 9/32 x 3/4 x 16 Ga.	31	3358P	Screw, Truss Hd, Phillips 1/4 - 20 x 5/8
5	55882	Knob	32	677A201	Belt Keeper Assembly
6	74525	Switch - Transmission	33	2186J	Engine Pulley
7	794212A	Transmission Assembly (719A)	34	6608P	Screw, Hex Hd, Twd, Rolling 3/8 - 16 x 1 - 1/2
8	72541	Pulley - Transmission	35	1634P	Washer 3/8 x 1 - 1/4 x 7 Ga.
9	6069P	Bolt w/Sems Lockwasher 5/16 - 18 x 5/8	36	6070P	Screw, Hex Hd, w/Sems Lockwasher 3/8 - 24 x 1 - 3/8 Nylon Patch Gr. 5
10	58349	Key, Woodruff No. 9	37	65053	Key, Woodruff No. 6
11	65302	Retaining Ring	38	191705	Engine, 8 H.P. Briggs & Stratton Type No. 6547-01
12	43174	Wax Tie	39	6347R	Fuse - 30 Amp.
13	2081J	Wire Harness	40	2083J	Safety Switch
14	53496	Locknut 1/4 - 20	41	7754R	Solenoid
15	4406H	Ignition Switch	42	8027R	Wire, Solenoid Ground
16	7552H	Key	43	686J	Cable Assembly (Battery to Solenoid)
17	7193P	Battery Charger	44	2086J	Cable Assembly (Battery to Ground)
18	70451	Battery Pack	45	889P	Nut, Hex 5/16 - 24 UNF
19	72708	Battery Strap	46	1007P	Lockwasher 5/16
20	3337P	Screw, Truss Hd, Phillips 1/4 - 20 x 1/2	47	549P	Nut, Hex No. 10 - 32
21	588P	Locknut, 1/4 - 20 UNC w/Washer Inset	48	1006P	Lockwasher No. 10
22	3114P	Screw, Hex Head 1/4 - 20 x 1/2 (Furnished w/Battery Pack)	49	3003P	Bolt, Hex 1/4 - 20 x 3/4
23	503P	Hex Nut 1/4 - 20	50	67758	Lockwasher, Internal Tooth 5/8
24	716J	Terminal Boot	51	67759	Nut 5/8 - 32 UNF
25	2233J	Cap - Battery	52	2316J	Fuel Line
26	2224J	Gasket - Battery			



REPAIR PARTS

32" REAR ENGINE RIDING LAWN MOWER-MODEL NUMBER K8327CR
TRANSMISSION MODEL NUMBER 719A



ALL TRANSMISSION PARTS MUST BE PURCHASED THROUGH AND SERVICE PERFORMED BY YOUR LOCAL TECLUMSEH DEALER.

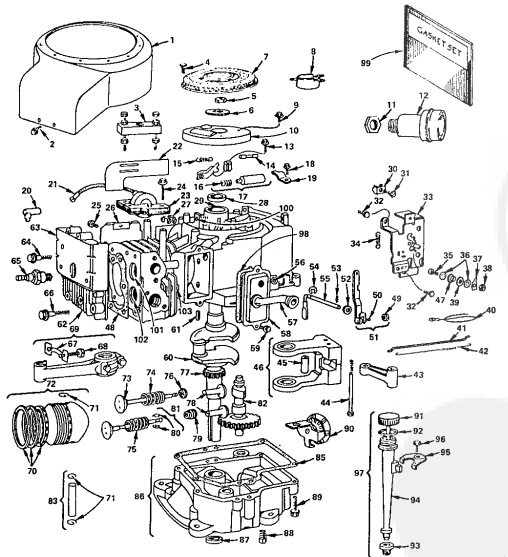
REPAIR PARTS

32" REAR ENGINE RIDING LAWN MOWER-MODEL NUMBER K8327CR
TRANSMISSION MODEL NUMBER 719A

KEY NO.	PART NO.	DESCRIPTION	KEY NO.	PART NO.	DESCRIPTION
1	794212A	Complete Transmission (719A)	25	790007	Plate, Brake pad
2	770081	Case, Transmission	26	780026	Pin, Dowel
3	772070	Cover, Transmission	27	780105	Bushing, Flanged
4	778162	Shaft, Output and Brake	28	780081	Chain, Roller (No. 41 chain, 24 links)
5	778121	Gear, Spur (25 teeth)	29	790072	Race, Thrust
6	786072	Spacer	30	780106	Bearing, Needle
7	778123	Gear, Spur (25 teeth)	31	792077	Ring, Retaining
8	778124	Gear, Spur (30 teeth)	32	792035	Ring, Retaining
9	784266	Collar, Shift	33	780109	Washer
10	786083	Sprocket (18 teeth)	34	788040	Ring, Retaining
11	786082	Sprocket (9 teeth)	35	784270	Rod & Fork Asy., Shift
12	778154	Shaft, Counter	36	792075	Screw, Hex hd. 1/8" dia., 1/4" x 1 - 1/4"
13	778109	Gear, Bevel (42 tooth and 15 tooth spur gear)	36A	792085	Screw, Hex hd. 1/8" dia., 1/4" x 2 - 1/4"
14	778126	Gear, Spur (20 teeth)	37	792089A	Key
15	778127	Gear, Spur (25 teeth)	38	792035	Nut, 5/16" - 24 lock
16	786071	Spacer	39	792076	Washer, Flat, 5/16"
17	778129	Gear, Spur (30 teeth)	40	792077	Ball, Steel, 5/16"
18	778135	Shaft, Input	41	792078	Screw, Set, 3/8" - 16 x 3/8
19	778113	Bevel pinion, input	42	792079	Spring
20	786047	Sprocket (8 teeth)	43	780108	Washer, Thrust
21	790003	Brake	44	780067	Spacer
22	790004	Lever, Brake			
23	790005	Holster, Brake pad			
24	790006	Pad, Brake			

REPAIR PARTS

32" REAR ENGINE RIDING LAWN MOWER-MODEL NUMBER K8327CR
BRIGGS & STRATTON 8 H.P. ENGINE-MODEL NO. 191705, TYPE NO. 5647-01
CYLINDER, CRANKSHAFT AND ENGINE BASE GROUP



ALL ENGINE PARTS MUST BE PURCHASED THROUGH AND SERVICE PERFORMED BY YOUR LOCAL BRIGGS AND STRATTON DEALER.

REPAIR PARTS

32" REAR ENGINE RIDING LAWN MOWER-MODEL NUMBER K8327CR
BRIGGS & STRATTON 8 H.P. ENGINE-MODEL NO. 191705, TYPE NO. 5647-01
CYLINDER, CRANKSHAFT AND ENGINE BASE GROUP

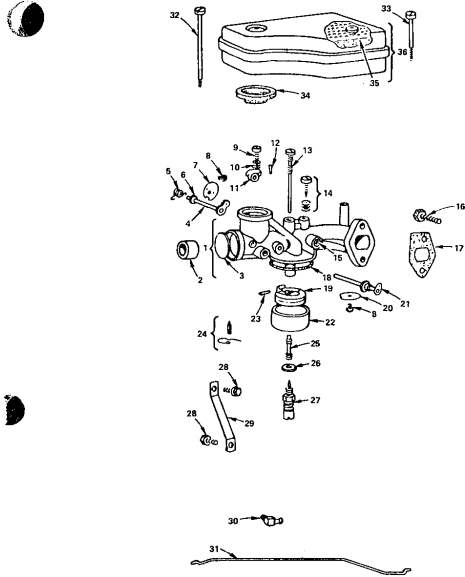
KEY NO.	PART NO.	DESCRIPTION	KEY NO.	PART NO.	DESCRIPTION
1	391379	Housing - Blower	61	61750	Key - Flywheel
2	93159	Screw - Sam	62	212286	Cylinder Head
3	19165	Puller - Flywheel	63	222636	Cover - Cylinder Head
4	83805	Screw - Sam	64	92211	Screw - 2" x 1/2"
5	92284	Nut - Flywheel	65	293918	Spark Plug Resistor
6	220655	Washer - Spring	66	92723	Screw - 3"
7	222562	Screen - Flush Rotating	67	222114	Lock - Connecting Rod Screw
8	222581	Cup - Screen Mtg	68	90553	Screw - Connecting Rod
9	90762	Locknut - Muffler	69	904602	ROD ASY., CONNECTING (Inc. Key No's 67 & 68)
10	232117	Cover - Breaker Point	70	391669	RING SET - PISTON, Std.
11	91242	Locknut - Muffler	391670		O10 Oversize
12	933010	Muffler - Exhaust	391671		O20 Oversize
13	83381	Screw - Breaker Arm	391672		O30 Oversize
14	85704	Plunger - Breaker Point	71	68546	Lock - Piston Pin
15	26016	Spring - Breaker Arm	72	391613	Piston Asy., Inc. Key No's 70 & 71
16	260374	Spring - Connector	391674		O10 Oversize
17	294628	Breaker Points & Condenser (Inc. Key No's 15 & 16)	391675		O20 Oversize
18	93042	Screw - Sam	391676		O30 Oversize
19	220477	Clamp - Condenser	73	261055	Intake Valve
20	69538	Elbow - Spark Plug	74	69596	Spring - Intake Valve
21	221798	Terminal - Ignition Cable	75	26828	Spring - Exhaust Valve
22	221760	Guide - Air	76	221895	Retainer - Intake Valve
23	298968	Armature Asy.	77	261195	Gear - Timing
24	93381	Screw - Armature	78	260933	Tapet - Valve
25	93163	Screw - Sam	79	292260	Rotocoil - Exhaust Valve
26	222830	Shield - Cylinder	80	90303	Retainer - Exhaust Valve
27	221907	Clip - Wire	81	393419	Exhaust Valve (Inc. Key No. 80)
28	294606	Oil Seal	82	211689	Gear - Cam
29	393675	Cylinder Assembly	83	295640	Pin Asy., Piston (Inc. 2 each Key No. 71)
30	221535	Clamp - Casing	85	295641	Pin Asy., Piston, ODS Oversize
31	93496	Screw - Sam	86	27750	*Gasket - Crankcase Cover - 1/64" thick
32	92572	Plate - Governor Control	27876		Gasket - Crankcase Cover - .006" thick
33	390662	Spring - Governor	27877		Gasket - Crankcase Cover - .008" thick
34	261506	Screw - Terminal	86	298616	Oil Sump (Inc. Key No's 85 and 87)
35	91920	Screw - Terminal	87	298423	Oil Seal
36	92791	Lockwasher	88	01084	Plug - Oil Drain
37	93722	Terminal - Spade	89	93385	Screw - Sam
38	90576	Hex Nut No. 8 - 32	90	932718	Oil Slinger - Governor
39	96068	Washer - Insulating	91	391840	Cap & Dipstick - Oil Filter
40	299500	Wire - Ground	92	210920	Seal - Filler Cap
41	260871	Link - Governor	93	68838	Seal - Filler Tube
42	280584	Spring - Governor Link	94	260133	Tube - Oil Filter
43	212759	Link - Counterweight	95	225202	Clamp - Oil Filter Tube
44	93874	Pin - Counterweight	96	93804	Screw - Clamp Mtg.
45	298909	Counterweight Asy.	97	302086	Filter Group - Oil (Inc. Key No's 91, 92, 93, 94, 95 & 96)
46	390172	Collar - Insulating	98	27803	*Gasket - Valve Cover
47	66554	Collar - Insulating	99	298977	Gasket Set
48	270430	*Gasket - Cylinder Head	100	29512	Bushing - Plunger
49	231062	Hex Nut No. 10 - 24	101	211681	Seat - Intake Valve (Std.)
50	92613	Bolt - Governor Lever	102	211661	Seat - Exhaust Valve (Std.)
51	391733	Lever Asy., Governor (Inc. Key No's 49 & 50)	103	230656	Guide - Exhaust Valve
52	222450	Washer - Governor Lever			
53	93306	Dotter - Hair Pin			
54	93307	Retainer - E Ring			
55	211058	Crank - Governor			
56	231055	Bushing - Governor Crank			
57	280005	Breather Tube			
58	391408	Breather Asy.			
59	93536	Sims Screw			
60	391757	Crankshaft			

*INCLUDED IN GASKET SET 299577
SPARK ARRESTER ASSEMBLY (OPTIONAL)
Spark Arrester
225237
Deflector
93705
Screw (4 required)

REPAIR PARTS

32" REAR ENGINE RIDING LAWN MOWER - MODEL NUMBER K8327CR
BRIGGS & STRATTON 8 H.P. ENGINE - MODEL NO. 191705, TYPE NO. 5647-01

CARBURETOR NUMBER 390811



ALL ENGINE PARTS MUST BE PURCHASED THROUGH AND SERVICE PERFORMED BY YOUR LOCAL BRIGGS AND STRATTON DEALER.

REPAIR PARTS

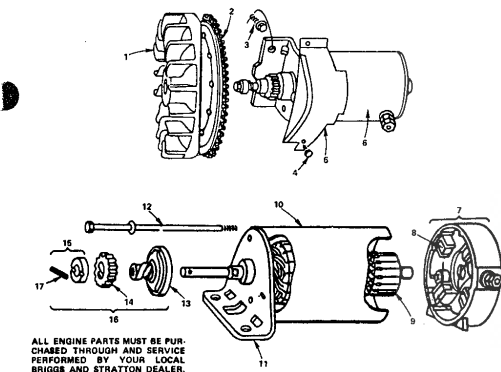
32" REAR ENGINE RIDING LAWN MOWER - MODEL NUMBER K8327CR
BRIGGS & STRATTON 8 H.P. ENGINE - MODEL NO. 191705, TYPE NO. 5647-01

CARBURETOR NUMBER 390811

KEY NO.	PART NO.	DESCRIPTION	KEY NO.	PART NO.	DESCRIPTION
1	299851	Body Ass'y. (Includes Key No. 3)	21	391512	Shaft & Lever - Throttle
2	211682	Venturi - Carburetor	22	221995	Bowl - Float
3	221997	*Plug - Wash	23	220886	*Pin - Float Hinge
4	350584	Shaft and Lever - Choke	24	299096	*Valve - Fuel Inlet
5	261116	Spring - Choke Return	25	230952	*Screw - Nozzle
6	270382	Washer - Choke Shaft	26	222014	*Washer - Float Bowl
7	222010	Valve - Choke	27	391233	*Valve - Nozzle
8	93499	Screw - Sem	28	93679	Screw
9	91920	Screw - Fil. Hd. Mach. No. B - 32 x 5/8	29	222027	Bracket - Carburetor
10	26157	Spring - Throttle Adjustment	30	61218	Connector - Fuel Pipe
11	211712	Stop - Throttle	31	261117	Link - Choke
12	93643	Pin - Throttle Stop	32	93323	Screw - Air Cleaner
13	259460	*Nozzle - Carburetor	33	93022	Screw - Air Cleaner
14	292681	*Valve Ass'y. - Carb. Idle	34	270539	Gasket - Air Cleaner
15	23108	Bushing - Throttle Shaft	35	270536	Element - Air Cleaner
16	93357	Screw - Carburetor Mfg.	36	391593	Air Cleaner Ass'y. (Inc. Key No 35)
17	270824	*Gasket - Carburetor Mfg.		299852	Carburetor Overhaul Kit (Inc. Parts Marked *)
18	270511	*Gasket - Float Bowl	390811		Carburetor Assembly
19	289107	Float - Carburetor			
20	221995	Valve - Throttle			

REPAIR PARTS

32" REAR ENGINE RIDING LAWN MOWER - MODEL NUMBER K8327CR
BRIGGS & STRATTON 8 H.P. ENGINE - MODEL NO. 191705, TYPE NO. 5647-01
FLYWHEEL AND STARTER MOTOR GROUP

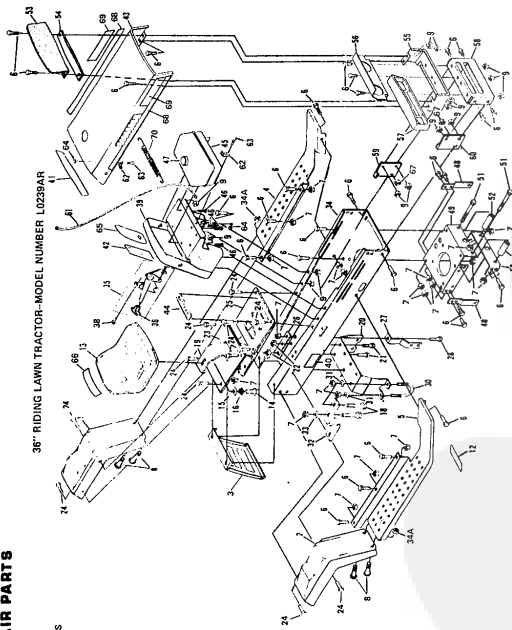


ALL ENGINE PARTS MUST BE PURCHASED THROUGH AND SERVICE PERFORMED BY YOUR LOCAL BRIGGS AND STRATTON DEALER.

KEY NO.	PART NO.	DESCRIPTION
1	392034	Flywheel and Ring Gear Ass'y.
2	392134	Gear - Ring
3	93823	Screw - Sem
4	93410	Screw - Sem
5	390233	Cover & Shield - Starter
6	392749	Motor, Starter (Inc. Key No's. 7 thru 17)
7	390846	End Cap Ass'y. Commutator (Inc. Key No. 8)
8	391705	Brush Ass'y.
9	392747	Armature Ass'y.
10	392744	Housing Ass'y.
11	392061	End Cap Ass'y. Drive
12	391706	Thru Bolt Ass'y.
13	391136	Clutch Ass'y.
14	280104	Gear
15	391462	Retainer & Pin (Inc. Key No. 17)
16	391461	Drive Ass'y. (Inc. Key No's. 13, 14 & 15)
17	93754	Roll Pin

REPAIR PARTS

CHASSIS



36" RIDING LAWN TRACTOR—MODEL NUMBER L023BAR

REPAIR PARTS

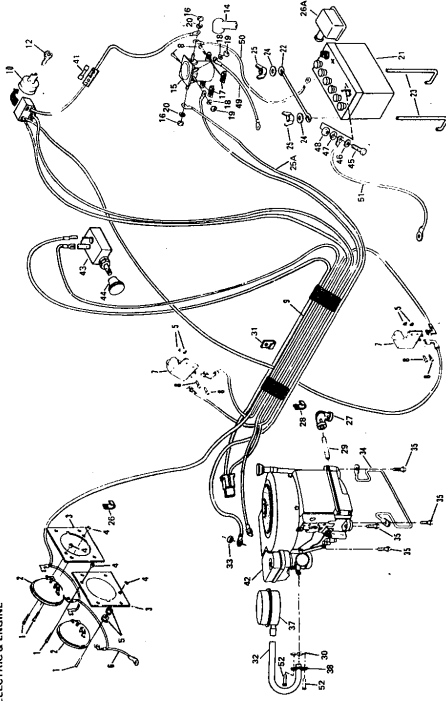
CHASSIS

KEY NO.	PART NO.	DESCRIPTION
2	200J	Fender, L. H.
3	1388J	Rear Cover, L.H.
4	1389J	Rear Cover, R.H.
5	1540J	Foot Rest, R.H.
6	2010P	Seat, Hex Head 5/16" - 18 x 3/4
7	2010P	Seat, Hex Head 5/16" - 18 x 1/2
8	2008P	Seat, Hex Head 5/16" - 18 x 1/2
9	2009P	Seat, Hex Head 5/16" - 18 x 1/2
10	2011P	Seat, Hex Head 5/16" - 18 x 1/2
11	2012P	Seat, Hex Head 5/16" - 18 x 1/2
12	2013P	Seat, Hex Head 5/16" - 18 x 1/2
13	1695J	Washer 1/2" x 1/4" - 11 Ga.
14	1696J	Washer 1/2" x 1/4" - 11 Ga.
15	1697J	Washer 1/2" x 1/4" - 11 Ga.
16	1698J	Washer 1/2" x 1/4" - 11 Ga.
17	1699J	Washer 1/2" x 1/4" - 11 Ga.
18	2012P	Seat, Hex Head 5/16" - 18 x 1/2
19	2013P	Seat, Hex Head 5/16" - 18 x 1/2
20	2014P	Seat, Hex Head 5/16" - 18 x 1/2
21	2015P	Seat, Hex Head 5/16" - 18 x 1/2
22	2016P	Seat, Hex Head 5/16" - 18 x 1/2
23	1790J	Washer 1/2" x 1/4" - 11 Ga.
24	5112P	Washer 1/2" x 1/4" - 11 Ga.
25	677AS3	Chassis Cover
26	677AS3	Chassis Cover
27	2118B	Anti-Slip Strip
28	2118B	Anti-Slip Strip
29	2118B	Anti-Slip Strip
30	2118B	Anti-Slip Strip
31	1809P	Washer 3/8" x 1/4" - 6 Ga.
32	1810P	Washer 3/8" x 1/4" - 6 Ga.
33	1811P	Washer 3/8" x 1/4" - 6 Ga.
34	285P	Key Jam Nut 5/16" - 18 UNC
35	1544J	Running Control Assy., (Inc. Knob - Remote Control No. 15, 24, 17)
36	4650P	Screw, Hex Washer Hd, Thd. Conting 1/4" - 20 x 1/2
37	677AS3	Chassis Cover
38	6119P	Knob - Remote Control No. 15, 24, 17
39	677AS3	Chassis Cover
40	677AS3	Chassis Cover
41	651J	Dash Assy., (Inc. Key No. 8 and 2 with Key No. 3, Page 21)
42	651J	Dash Assy., (Inc. Key No. 8 and 2 with Key No. 3, Page 21)
43	7150J	Head Assy., (Inc. Key No. 8 and 2 with Key No. 3, Page 21)
44	7430J	Battery Cap
45	6547P	Screw, Thd. Conting 1/4" - 20 x 3/4
46	6547P	Screw, Thd. Conting 1/4" - 20 x 3/4
47	7115J	Bracket
48	7115J	Bracket
49	1839J	Engine Base
50	1839J	Engine Base
51	2711P	"Bolt, Hex Head 5/16" - 18 x 2 - 3/4
52	7193J	Head Rest
53	7193J	Head Rest
54	2054J	Bracket
55	7191J	Bracket
56	7191J	Bracket
57	2002J	Lower Grill Frame
58	2002J	Lower Grill Frame
59	2002J	Lower Grill Frame
60	2002J	Lower Grill Frame
61	2002J	Lower Grill Frame
62	2002J	Lower Grill Frame
63	2002J	Lower Grill Frame
64	2002J	Lower Grill Frame
65	2002J	Lower Grill Frame
66	2002J	Lower Grill Frame
67	2002J	Lower Grill Frame
68	2002J	Lower Grill Frame
69	2002J	Lower Grill Frame
70	2002J	Lower Grill Frame
71	2002J	Lower Grill Frame
72	2002J	Lower Grill Frame

*STANDARD HARDWARE—PURCHASE LOCALLY

REPAIR PARTS

ELECTRIC & ENGINE



36" RIDING LAWN TRACTOR—MODEL NUMBER L023BAR

REPAIR PARTS

ELECTRIC & ENGINE

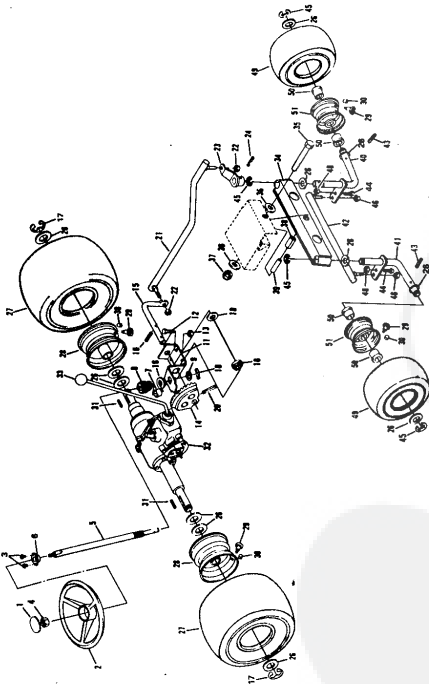
KEY NO.	PART NO.	DESCRIPTION
1	3228P	Screw, Machine Truss Head No. 10 - 24 x 1
2	6452R	Headlight Support 24
3	7307S	Headlight Support 24
4	581P	Nut, Kops No. 10 - 24 UNC
5	581P	Nut, Kops No. 10 - 24 UNC
6	7145P	Screw, Machine Phillips Head No. 10 - 24 x 1/2
7	3356P	Screw, Machine Phillips Head No. 10 - 24 x 1/2
8	3356P	Screw, Machine Phillips Head No. 10 - 24 x 1/2
9	1797J	Ignition Switch (Inc. Ref. No. 12)
10	6558R	Terminal Cover
11	6558R	Terminal Cover
12	7194J	Terminal Cover
13	5384P	"Nut, Hex Jam 5/16" - 24 UNF
14	5384P	"Nut, Hex Jam 5/16" - 24 UNF
15	1008P	"Nut, Hex No. 10 - 32 UNF
16	1008P	"Nut, Hex No. 10 - 32 UNF
17	543P	Battery Box
18	543P	Battery Box
19	228J	Battery Box
20	228J	Battery Box
21	228J	Battery Box
22	228J	Battery Box
23	228J	Battery Box
24	228J	Battery Box
25	228J	Battery Box
26	228J	Battery Box
27	228J	Battery Box
28	228J	Battery Box
29	228J	Battery Box
30	228J	Battery Box
31	228J	Battery Box
32	228J	Battery Box
33	228J	Battery Box
34	228J	Battery Box
35	228J	Battery Box
36	228J	Battery Box
37	677AS8	Washer 1/2" x 1/4" - 11 Ga.
38	677AS8	Washer 1/2" x 1/4" - 11 Ga.
39	677AS8	Washer 1/2" x 1/4" - 11 Ga.
40	677AS8	Washer 1/2" x 1/4" - 11 Ga.
41	677AS8	Washer 1/2" x 1/4" - 11 Ga.
42	22707	Washer 1/2" x 1/4" - 11 Ga.
43	7789R	Engine, Briggs and Stratton 10 H.P.
44	2208R	Light Switch
45	2208R	Light Switch
46	1506P	"Nut, Hex No. 10 - 32 UNF
47	1506P	"Nut, Hex No. 10 - 32 UNF
48	203P	Battery Box
49	203P	Battery Box
50	203P	Battery Box
51	203P	Battery Box
52	203P	Battery Box
53	203P	Battery Box
54	203P	Battery Box
55	203P	Battery Box
56	203P	Battery Box
57	203P	Battery Box
58	203P	Battery Box
59	203P	Battery Box
60	203P	Battery Box
61	203P	Battery Box
62	203P	Battery Box
63	203P	Battery Box
64	203P	Battery Box
65	203P	Battery Box
66	203P	Battery Box
67	203P	Battery Box
68	203P	Battery Box
69	203P	Battery Box
70	203P	Battery Box
71	203P	Battery Box
72	203P	Battery Box

*STANDARD HARDWARE—PURCHASE LOCALLY

OPTIONAL EQUIPMENT
Spark Arrestor Muller LA248R

REPAIR PARTS

STEERING AND WHEELS



REPAIR PARTS

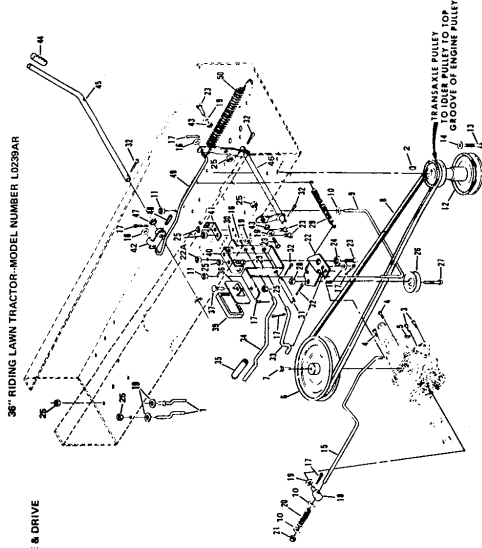
STEERING AND WHEELS

KEY NO.	PART NO.	DESCRIPTION
1	1114J	Steering Wheel Inset
2	506J	Steering Wheel, 9 1/2" Metal Screw
3	5014P	Hub, 1 1/2" Top All Ball
4	794191A	Transaxle Assembly Model 143.058A
5	1585J	Ball, Rec. Shaft
6	1585J	Bushing
7	1585J	Pinion Gear
8	74881	Pinion Gear, 1.175 x 1.1 Ga.
9	74881	Steering Bracket, 1.165 x .314
10	52379	Steering Pin, 3/16 x 18 x 3/4
11	74577	Steering Bracket, 1.165 x .314
12	74577	Steering Pin, 3/16 x 18 x 3/4
13	579P	Nut, Lock 5/16 - 18 UNC
14	1818P	Washer, 1.165 x .314
15	1326J	Steering Rod
16	71208	Bushing
17	71208	Washer, 21/32 x 1.14 x 13 Ga.
18	1818P	Washer, 1.165 x .314
19	1818P	Nut, Lock 5/16 - 18 UNC
20	73446	Drag Link, 3/8 x 24 x 16 Ga.
21	71219	Drag Link, 3/8 x 24 x 16 Ga.
22	71185	Steering Arm Assembly
23	71185	Steering Arm Assembly
24	5522P	Washer, 7/32 x 1.14 x 16 Ga.
25	5522P	Washer, 7/32 x 1.14 x 16 Ga.
26	5522P	Washer, 7/32 x 1.14 x 16 Ga.
27	71652	Tire (18.00 - 8.00 x 8)
28	71652	Tire

* STANDARD HARDWARE - PURCHASE LOCALLY

REPAIR PARTS

CLUTCH-BRAKE & DRIVE



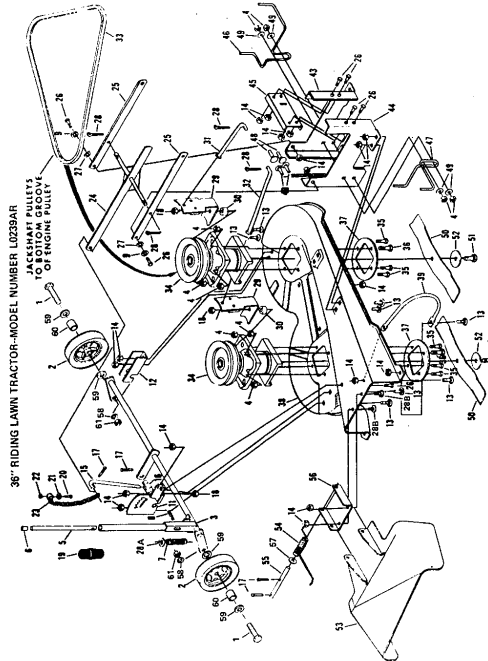
REPAIR PARTS

CLUTCH-BRAKE & DRIVE

KEY NO.	PART NO.	DESCRIPTION
1	71200	Bolt Guide
2	6503J	Key, Woodruff No. 6
3	6059P	5/16 - 18 x 7/8
4	6059P	Screw, Hex Head w/Washer
5	52659	Washer, 17/32 x 7/8 x 16 Ga.
6	6059P	5/16 - 18 x 7/8
7	6059P	Screw, Machine w/Washer
8	73794	1/4 - 20 x 3/4 x .5
9	71241	Nut, Bolt Guide
10	71241	Washer, 17/32 x 7/8 x 16 Ga.
11	545P	Locknut, 3/8 - 16 x 7/8 x 16 Ga.
12	71623	Sulley, Engine
13	71623	Sulley, Engine
14	15189	Locknut, 3/8 - 16 x 7/8 x 16 Ga.
15	73392	3/8 - 24 x 1.24 Nylon Patch
16	73392	Brake Rod, 1/4 x 6 Ga.
17	73392	Brake Rod, 1/4 x 6 Ga.
18	71238	Washer, 3/32 x 24 x 16 Ga.
19	71238	Washer, 3/32 x 24 x 16 Ga.
20	71239	Turnon
21	71239	Turnon
22	591P	Locknut w/Washer 3/8 - 16 UNC
23	591P	Locknut w/Washer 3/8 - 16 UNC
24	588P	Locknut w/Washer 5/16 - 18 UNC
25	588P	Locknut w/Washer 5/16 - 18 UNC
26	588P	Locknut w/Washer 5/16 - 18 UNC
27	588P	Locknut w/Washer 5/16 - 18 UNC
28	588P	Locknut w/Washer 5/16 - 18 UNC
29	588P	Locknut w/Washer 5/16 - 18 UNC
30	588P	Locknut w/Washer 5/16 - 18 UNC
31	71223	Front Seal
32	2506P	Center Pin, 1.8 x 1
33	2506P	Center Pin, 1.8 x 1
34	3723	Park Brake Rod
35	3723	Park Brake Rod
36	71222	Clutch Pin
37	18P	Clutch Pin
38	18P	Clutch Pin
39	18P	Clutch Pin
40	71189	Clutch Pin
41	71189	Clutch Pin
42	73229	Clutch Pin
43	71196	Clutch Pin
44	71196	Clutch Pin
45	71242	Clutch Handle
46	15189	Clutch Arm Assembly
47	15189	Clutch Arm Assembly
48	52239	Spring Pin, 3/16 x 1
49	52239	Spring Pin, 3/16 x 1
50	71248	Spring
51	71248	Spring

* STANDARD HARDWARE - PURCHASE LOCALLY

REPAIR PARTS



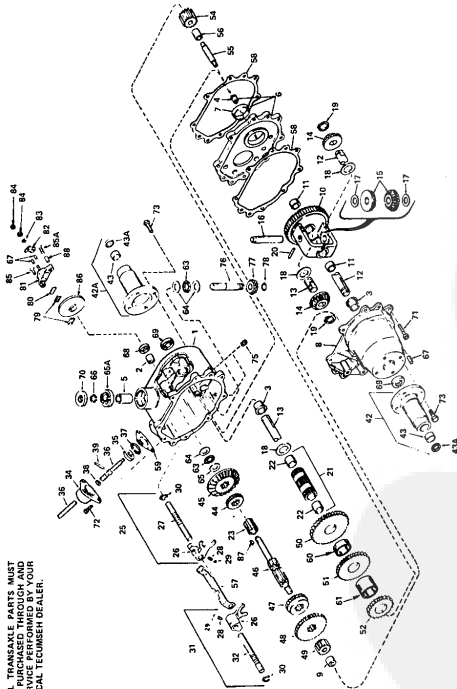
36" RIDING LAWN TRACTOR—MODEL NUMBER L023BAR
MOWER
TO BOTTOM GROOVE
OF ENGINE PULLEY

REPAIR PARTS

KEY NO.	PART NO.	DESCRIPTION
1	3199P	Hex Bolt 3/8" x 2 1/4" x 3/4" Gr. 5
2	671A134	Clamp Nut
3	71522	Blade
4	545P	Blade Retainer
5	71524	Blade Ret. R.H.
6	671A181	Blade Ret. L.H.
7	3222P	Cap Level Plunger
8	545P	Blade Retainer
9	1599P	Blade Ret. Lock
10	71524	Blade Ret. R.H.
11	71524	Blade Ret. L.H.
12	71524	Blade Ret. R.H.
13	71524	Blade Ret. L.H.
14	71524	Blade Ret. R.H.
15	71524	Blade Ret. L.H.
16	71524	Blade Ret. R.H.
17	71524	Blade Ret. L.H.
18	71524	Blade Ret. R.H.
19	71524	Blade Ret. L.H.
20	71524	Blade Ret. R.H.
21	71524	Blade Ret. L.H.
22	71524	Blade Ret. R.H.
23	71524	Blade Ret. L.H.
24	71524	Blade Ret. R.H.
25	71524	Blade Ret. L.H.
26	71524	Blade Ret. R.H.
27	71524	Blade Ret. L.H.
28	71524	Blade Ret. R.H.
29	71524	Blade Ret. L.H.
30	71524	Blade Ret. R.H.
31	71524	Blade Ret. L.H.
32	71524	Blade Ret. R.H.
33	71524	Blade Ret. L.H.
34	71524	Blade Ret. R.H.
35	71524	Blade Ret. L.H.
36	71524	Blade Ret. R.H.
37	71524	Blade Ret. L.H.
38	71524	Blade Ret. R.H.
39	71524	Blade Ret. L.H.
40	71524	Blade Ret. R.H.
41	71524	Blade Ret. L.H.
42	71524	Blade Ret. R.H.
43	71524	Blade Ret. L.H.
44	71524	Blade Ret. R.H.
45	71524	Blade Ret. L.H.
46	71524	Blade Ret. R.H.
47	71524	Blade Ret. L.H.
48	71524	Blade Ret. R.H.
49	71524	Blade Ret. L.H.
50	71524	Blade Ret. R.H.
51	71524	Blade Ret. L.H.
52	71524	Blade Ret. R.H.
53	71524	Blade Ret. L.H.
54	71524	Blade Ret. R.H.
55	71524	Blade Ret. L.H.
56	71524	Blade Ret. R.H.
57	71524	Blade Ret. L.H.
58	71524	Blade Ret. R.H.
59	71524	Blade Ret. L.H.
60	71524	Blade Ret. R.H.
61	71524	Blade Ret. L.H.

REPAIR PARTS

36" RIDING LAWN TRACTOR—MODEL NUMBER L023BAR
TRANAXLE—MODEL NUMBER 143.658A



ALL TRANAXLE PARTS MUST BE PURCHASED THROUGH AND SERVICE PERFORMED BY YOUR LOCAL TECHNICIAN.

REPAIR PARTS

36" RIDING LAWN TRACTOR—MODEL NUMBER L023BAR
TRANAXLE—MODEL NUMBER 143.658A

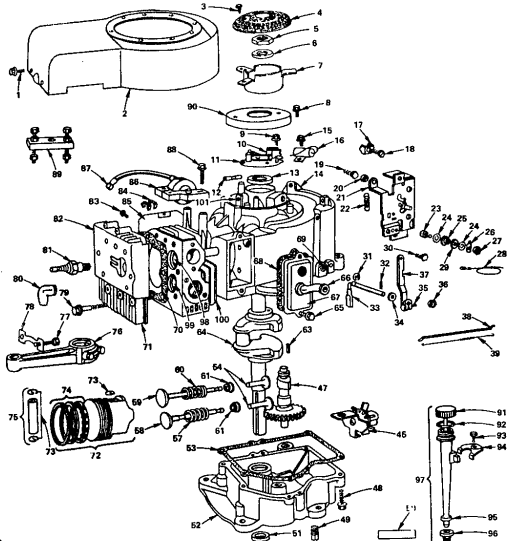
KEY NO.	PART NO.	DESCRIPTION
1	704191A	Complete Transaxle
2	704191A	Gear Assy, Transaxle (Inc. No's 1, 2, 3 & 5)
3	704191A	Bearing, Input
4	704191A	Bearing, Output
5	704191A	Bearing, Intermediate (Inc. No's 1, 4 & 7)
6	704191A	Bearing, Output (Inc. No's 3 & 6)
7	704191A	Bearing, Input (Inc. No's 1, 2, 3 & 6)
8	704191A	Bearing, Intermediate (Inc. No. 11)
9	704191A	Shaft, Input
10	704191A	Shaft, Intermediate (Inc. No. 11)
11	704191A	Shaft, Output
12	704191A	Shaft, Input (Inc. No. 11)
13	704191A	Shaft, Intermediate (Inc. No. 11)
14	704191A	Shaft, Output (Inc. No. 11)
15	704191A	Shaft, Input (Inc. No. 11)
16	704191A	Shaft, Intermediate (Inc. No. 11)
17	704191A	Shaft, Output (Inc. No. 11)
18	704191A	Shaft, Input (Inc. No. 11)
19	704191A	Shaft, Intermediate (Inc. No. 11)
20	704191A	Shaft, Output (Inc. No. 11)
21	704191A	Shaft, Input (Inc. No. 11)
22	704191A	Shaft, Intermediate (Inc. No. 11)
23	704191A	Shaft, Output (Inc. No. 11)
24	704191A	Shaft, Input (Inc. No. 11)
25	704191A	Shaft, Intermediate (Inc. No. 11)
26	704191A	Shaft, Output (Inc. No. 11)
27	704191A	Shaft, Input (Inc. No. 11)
28	704191A	Shaft, Intermediate (Inc. No. 11)
29	704191A	Shaft, Output (Inc. No. 11)
30	704191A	Shaft, Input (Inc. No. 11)
31	704191A	Shaft, Intermediate (Inc. No. 11)
32	704191A	Shaft, Output (Inc. No. 11)
33	704191A	Shaft, Input (Inc. No. 11)
34	704191A	Shaft, Intermediate (Inc. No. 11)
35	704191A	Shaft, Output (Inc. No. 11)
36	704191A	Shaft, Input (Inc. No. 11)
37	704191A	Shaft, Intermediate (Inc. No. 11)
38	704191A	Shaft, Output (Inc. No. 11)
39	704191A	Shaft, Input (Inc. No. 11)
40	704191A	Shaft, Intermediate (Inc. No. 11)
41	704191A	Shaft, Output (Inc. No. 11)
42	704191A	Shaft, Input (Inc. No. 11)
43	704191A	Shaft, Intermediate (Inc. No. 11)
44	704191A	Shaft, Output (Inc. No. 11)

REPAIR PARTS

36" RIDING LAWN TRACTOR-MODEL NUMBER L0239AR
BRIGGS & STRATTON 10 H.P. ENGINE-MODEL NO. 220707, TYPE NO. 0134-01

CYLINDER, CRANKSHAFT AND ENGINE BASE GROUP

ALL ENGINE PARTS MUST BE PURCHASED THROUGH AND SERVICE PERFORMED BY YOUR LOCAL BRIGGS AND STRATTON DEALER.



REPAIR PARTS

36" RIDING LAWN TRACTOR-MODEL NUMBER L0239AR
BRIGGS & STRATTON 10 H.P. ENGINE-MODEL NO. 220707, TYPE NO. 0134-01

CYLINDER, CRANKSHAFT AND ENGINE BASE GROUP

KEY NO.	PART NO.	DESCRIPTION	KEY NO.	PART NO.	DESCRIPTION
1	93158	Screw - Blower Housing Mounting Sem	57	26829	Spring - Exhaust Valve
2	381566	Housing - Blower	58	231533	Valve - Exhaust
3	38098	Screw - Sem	59	261452	Valve - Intake
4	227562	Screen - Flush Rotating	60	65206	Spring - Intake Valve
5	92584	Nut - Hex	61	221596	Retainer - Intake Valve
6	229885	Washer - Spring	62	61760	Key - Flywheel
7	225641	Cap - Screw Mounting	63	61605	Crankshaft
8	93014	Screw - Sem	64	93304	Screw - Sem
9	93296	Cap - Screw Mounting	65	280100	Tube - Breather
10	26018	Spring - Breather Arm	67	391406	Breather Assembly
11	591984	Breaker As'y - Ignition (Inc. No. 10)	68	27803	Gasket - Valve Cover
12	65704	Puncher - Breaker Point	69	231055	Bushing - Gov. Crank (1 1/4" I.D.)
13	391085	Seal - Oil	70	271075	Gasket - Cylinder Head
14	393593	Cylinder As'y. (Inc. No. 13)	71	212366	Head - Cylinder
15	93042	Screw - Sem	72	391285	Piston As'y. - Standard (Inc. No.'s. 73 & 74)
16	391782	Condenser	73	391287	Piston As'y. - 010" O.S.
17	221535	Clamp - Gaining	74	391288	Piston As'y. - 020" O.S.
18	93496	Screw - Sem	75	391289	Piston As'y. - 030" O.S.
19	93688	Screw - Control Bracket Mounting	76	269924	Lock - Piston Pin
20	231038	Screw - Control Bracket Mounting	77	391780	Ring Set - Piston - Std.
21	390662	Plate - Gov. Control	78	391781	Ring Set - Piston - 010" O.S.
22	291306	Spring - Governor	79	391782	Ring Set - Piston - 020" O.S.
23	91920	Screw - Terminating	80	391783	Ring Set - Piston - 030" O.S.
24	92591	Washer - Lock - Shakeproof	81	299951	Pin As'y. - Piston - Std. (Inc. No. 73)
25	66554	Collar - Insulating	82	391286	Pin As'y. - Piston - 005" O.S.
26	93722	Terminal - Spade	83	66560	Lock - Conn. Rod Screw
27	90576	Nut - Hex B - 32	84	92920	Screw - Conn. Rod
28	391802	Wire - Ground	85	222259	Lock - Conn. Rod Screw
29	66088	Washer - Insulating	86	93723	NOTE: 33181 Stud - Cylinder Head
30	93572	Retainer - E-Ring	87	22865	Washer
31	83307	Retainer - E-Ring	88	66538	Elbow - Spark Plug
32	83226	Collar - Main Pin	89	239318	Plug - Spark (1 - 1/2" High - 37 - 42 MM)
33	231058	Crank - Governor (1/4" Dia.)	90	222725	NOTE: Spark Plug use Ignition Cable
34	222450	Washer - Gov. Crank (1 1/4" I.D.)	91	222726	Terminal - Spark
35	92613	Ball - Governor Lever	92	222727	Cover - Cylinder Head
36	231082	Nut - Hex 10 - 24	93	222728	Screw - Cylinder Head Mtg. Sem
37	391723	Link - Governor	94	222729	Screw - Cylinder Head Mtg. Sem
38	261198	Level As'y. - Governor (for 1/4" Dia. Crank) (Inc. No.'s. 35 & 36)	95	222730	NOTE: Spark Plug use Ignition Cable
39	261197	Spring - Governor Link	96	222731	Clip - Wire
40	391764	Oil Slinger - Gov. Gear & Bracket As'y.	97	222732	Spring - Governor
41	212796	Gear - Cam	98	222733	NOTE: Spark Plug use Ignition Cable
42	93586	Screw - Spring Mounting Sem	99	222734	Terminal - Ignition
43	91084	Plug - Oil Drain	100	222735	Armature As'y.
44	393411	Gasket - Seal	101	222736	Terminal - Ignition
45	291875	Seal - Oil	102	222737	Screw - Armature Mounting Sem
46	391784	Sump - Oil (Inc. No.'s. 51 & 53)	103	222738	Filler - Flywheel
47	270828	*Gasket - Crankcase Cover - 1/64" Thick	104	222739	Cover - Brake Point
48	270815	*Gasket - Crankcase Cover - 0/65" Thick	105	222740	Cap and Dipstick - Oil Filler
49	270916	*Gasket - Crankcase Cover - .009" Thick	106	222741	Seal - Filler Tube
50	261193	Tappet - Valve	107	222742	Seal - Filler Tube

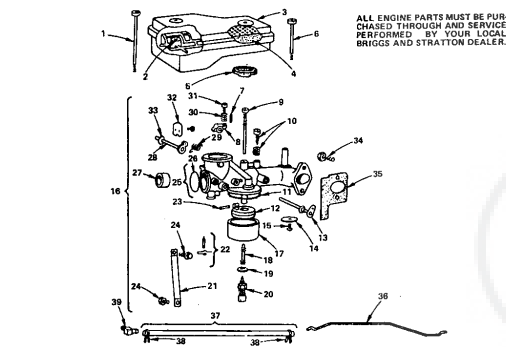
*STANDARD HARDWARE-PURCHASE LOCALLY

REPAIR PARTS

36" RIDING LAWN TRACTOR-MODEL NUMBER L0239AR
BRIGGS & STRATTON 10 H.P. ENGINE-MODEL NO. 220707, TYPE NO. 0134-01

AIR CLEANER AND CARBURETOR

ALL ENGINE PARTS MUST BE PURCHASED THROUGH AND SERVICE PERFORMED BY YOUR LOCAL BRIGGS AND STRATTON DEALER.



KEY NO.	PART NO.	DESCRIPTION	KEY NO.	PART NO.	DESCRIPTION
1	93323	Screw - Air Cleaner	24	93572	Screw
2	260118	Support - Air Cleaner Element	25	291787	Body As'y. - Carburetor (Inc. No. 26)
3	391786	Cleaner As'y. - Air (Inc. No.'s. 2 & 4)	26	221997	*Plug - Wash
4	270843	Element - Air Cleaner	27	211960	Venturi - Carburetor
5	270853	Gasket - Air Cleaner	28	360584	Shaft & Lever - Choke
6	93822	Screw - Air Cleaner	29	261116	Spring - Choke Return
7	93943	Pin - Throttle Stop	30	26157	Spring - Throttle Adjustment
8	211712	Stop - Throttle	31	91920	Screw - Machine, Fil. Hd. 8 - 32 x 5/8"
9	299740	Nozzle - Carburetor	32	222010	Valve - Choke
10	297861	Valve As'y. - Carburetor Idle	33	270382	Washer - Choke Shaft
11	270511	*Gasket - Float Bowl	34	93357	Screw - Carburetor Mtg
12	299707	Float - Carburetor	35	270872	*Gasket - Carburetor Mtg.
13	391512	Shaft & Lever - Throttle	36	261274	LFA - Choke
14	222658	Valve - Throttle	37	298004	Pipe - Fuel (Inc. No. 38)
15	93499	Screw - Throttle & Choke Valve Mtg. Sem	38	93003	Clamp - Fuel Pipe
16	393410	Carburetor As'y. (Choke-A-Matic) (Inc. No.'s. 7 thru 33)	39	67218	Connector - Fuel Pipe
17	221985	Bowl - Float			
18	250932	*Screw - Nozzle			
19	222014	Washer - Float Bowl			
20	391238	Valve - Needle			
21	222311	Bracket - Carburetor			
22	299598	Valve - Fuel Inlet			
23	230898	*Pin - Float Hinge			

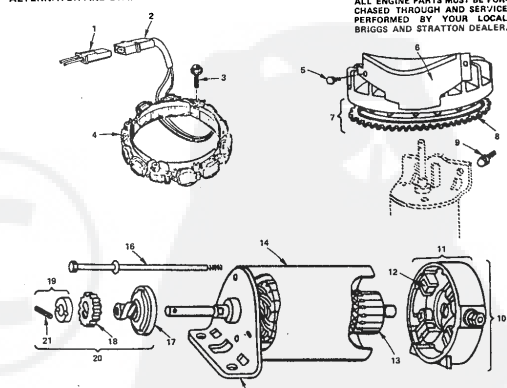
*INCLUDED IN CARBURETOR OVERHAUL KIT - PART NO. 298652
*INCLUDED IN GASKET SET - PART NO. 393411

REPAIR PARTS

36" RIDING LAWN TRACTOR-MODEL NUMBER L0239AR
BRIGGS & STRATTON 10 H.P. ENGINE-MODEL NO. 220707, TYPE NO. 0134-01

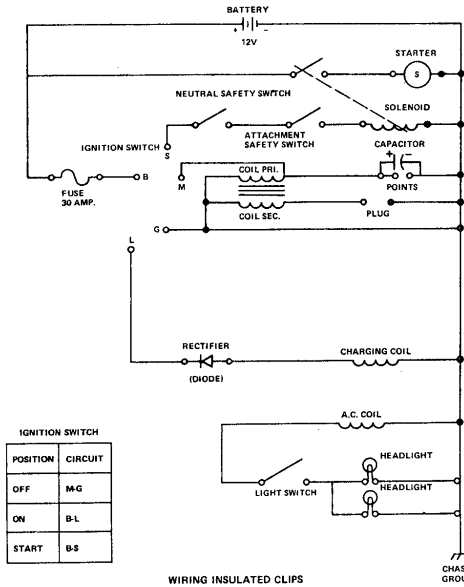
ALTERNATOR AND STARTER MOTOR GROUP

ALL ENGINE PARTS MUST BE PURCHASED THROUGH AND SERVICE PERFORMED BY YOUR LOCAL BRIGGS AND STRATTON DEALER.



KEY NO.	PART NO.	DESCRIPTION	KEY NO.	PART NO.	DESCRIPTION
1	393362	All. Harness Assembly	10	392749	Motor and Drive As'y. (12 Volts (Inc. No.'s. 11 thru 20)
2	393456	Diode and Conn. Assembly	11	390846	End Cap As'y., Commutator (Inc. No. 12)
3	93521	Screw - Sem	12	391705	Brush As'y.
4	393474	Stator - Alternator	13	391705	Armature As'y.
5	93410	Screw - Sem	14	392744	Housing As'y.
6	390233	Cover and Shield - Starter	15	392061	End Cap As'y., Drive
7	391968	Flywheel & Ring Gear As'y. - Magnet (Inc. No. 14)	16	391705	Thru Bolt As'y.
8	392134	Gear - Ring (Inc. Mounting Parts)	17	391125	Clutch As'y.
9	93523	Screw - Sem	18	280104	Gear
			19	391452	Retainer & Pin
			20	391461	Drive As'y. (Inc. No.'s. 17, 18 & 19)
			21	93754	Roll Pin

36" RIDING LAWN TRACTOR-MODEL NUMBER L0239AR
SCHEMATIC DIAGRAM

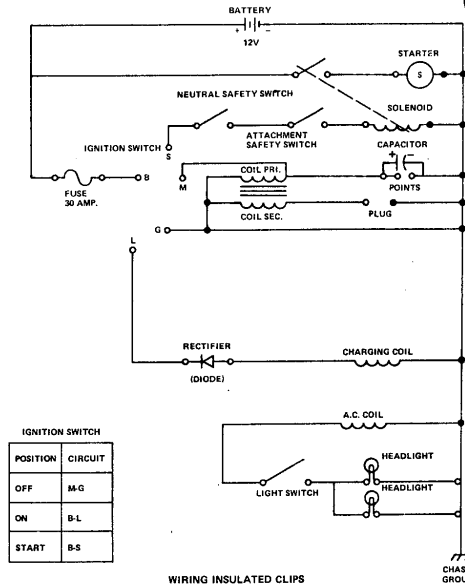


If Insulated Clips were removed for servicing of unit, they should be replaced to properly secure your wiring. There are three Insulated Clips on your Tractor.

1. L.H. side of Tractor for safety switch wires (Key No. 28, page 14).
2. R.H. side of Tractor securing wire harness and cable wire (Key No. 31, page 14).
3. Headlight wire (Key No. 26, page 14).

REPAIR PARTS

36" RIDING LAWN TRACTOR-MODEL NUMBER L1219AR
SCHEMATIC DIAGRAM

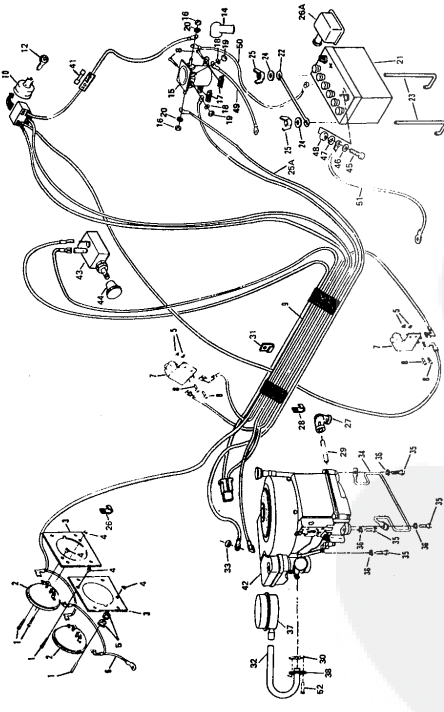


If Insulated Clips were removed for servicing of unit, they should be replaced to properly secure your wiring. There are three Insulated Clips on your Tractor.

1. L.H. side of Tractor for safety switch wires (Key No. 28, page 14).
2. R.H. side of Tractor securing wire harness and cable wire (Key No. 31, page 14).
3. Headlight wire (Key No. 26, page 14).

36" RIDING LAWN TRACTOR-MODEL NUMBER L1219AR

REPAIR PARTS
ELECTRIC & ENGINE



36" RIDING LAWN TRACTOR-MODEL NUMBER L1219AR

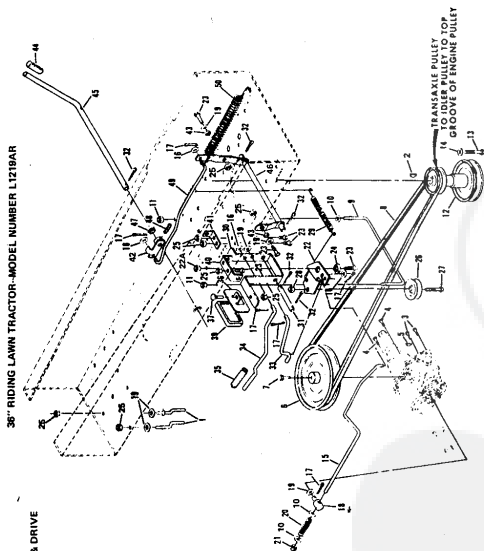
REPAIR PARTS
ELECTRIC & ENGINE

KEY NO.	PART NO.	DESCRIPTION
1	3220P	Spark Machine, Trust Head
2	6450R	Headlight, Support
4	4822H	Nut, Lock No. 10-24 UNC
5	7110S	Washer, Flat No. 10-24 UNC
6	7110S	Washer, Flat No. 10-24 UNC
7	7765R	Safety Switch
8	526P	Washer, Flat Phillips Head No. 10-24 x 1/2
9	526P	Washer, Flat Phillips Head No. 10-24 x 1/2
10	4492R	Ignition Switch (Inc. Ref. No. 12)
11	4492R	Ignition Switch (Inc. Ref. No. 12)
12	7562H	Key Set
13	7562H	Key Set
14	7562H	Key Set
15	7764R	Solenoid
16	7764R	Solenoid
17	678P	Nut, Speed No. 10-24 UNC
18	1006P	Washer, Lock No. 10-24 UNC
19	1006P	Washer, Lock No. 10-24 UNC
20	1006P	Washer, Lock No. 10-24 UNC
21	6718T	Lockwasher, S118
22	1507P	Battery Rod
23	1507P	Battery Rod
24	1507P	Battery Rod
25	677P	Wing Nut 1/4"-20 UNC
26	2521R	Insulated Clip
28	2521R	Insulated Clip
29	2521R	Insulated Clip
30	4520S	Capacitor
31	6784R	Attachment Safety Switch
32	13380	Nut, Lock 1/4"-20 UNC
33	13380	Nut, Lock 1/4"-20 UNC
34	1786J	Bracket, Muffler
35	5968P	Bracket, Muffler
36	5968P	Bracket, Muffler
37	677466	Muffler, Lock 3/8"
38	1423	Exhaust Flange
39	1423	Exhaust Flange
40	252107	Engine - Briggs and Stratton 1, H.P. Model 10-075-01 (See pages 26 thru 28)
41	252107	Engine - Briggs and Stratton 1, H.P. Model 10-075-01 (See pages 26 thru 28)
42	252107	Engine - Briggs and Stratton 1, H.P. Model 10-075-01 (See pages 26 thru 28)
43	7763R	Light Switch
44	7764R	*Washer, Light Switch 1/4"
45	1506P	*Washer, Flat 3/8 x 1/8 Gd.
46	1506P	*Washer, Flat 3/8 x 1/8 Gd.
47	400P	*Nut 1/4"-20 UNC
48	400P	*Nut 1/4"-20 UNC
49	8027R	Washer, Ground Solenoid
50	8027R	Washer, Ground Solenoid
51	5983	Ground Clips
52	1891T	Washer, Flat 3/8 x 1/8 Gd.
53	1891T	Washer, Flat 3/8 x 1/8 Gd.
54	1891T	Washer, Flat 3/8 x 1/8 Gd.
55	1891T	Washer, Flat 3/8 x 1/8 Gd.
56	1891T	Washer, Flat 3/8 x 1/8 Gd.
57	1891T	Washer, Flat 3/8 x 1/8 Gd.
58	1891T	Washer, Flat 3/8 x 1/8 Gd.
59	1891T	Washer, Flat 3/8 x 1/8 Gd.
60	1891T	Washer, Flat 3/8 x 1/8 Gd.
61	1891T	Washer, Flat 3/8 x 1/8 Gd.
62	1891T	Washer, Flat 3/8 x 1/8 Gd.
63	1891T	Washer, Flat 3/8 x 1/8 Gd.
64	1891T	Washer, Flat 3/8 x 1/8 Gd.
65	1891T	Washer, Flat 3/8 x 1/8 Gd.
66	1891T	Washer, Flat 3/8 x 1/8 Gd.
67	1891T	Washer, Flat 3/8 x 1/8 Gd.
68	1891T	Washer, Flat 3/8 x 1/8 Gd.
69	1891T	Washer, Flat 3/8 x 1/8 Gd.
70	1891T	Washer, Flat 3/8 x 1/8 Gd.
71	1891T	Washer, Flat 3/8 x 1/8 Gd.
72	1891T	Washer, Flat 3/8 x 1/8 Gd.
73	1891T	Washer, Flat 3/8 x 1/8 Gd.
74	1891T	Washer, Flat 3/8 x 1/8 Gd.
75	1891T	Washer, Flat 3/8 x 1/8 Gd.
76	1891T	Washer, Flat 3/8 x 1/8 Gd.
77	1891T	Washer, Flat 3/8 x 1/8 Gd.
78	1891T	Washer, Flat 3/8 x 1/8 Gd.
79	1891T	Washer, Flat 3/8 x 1/8 Gd.
80	1891T	Washer, Flat 3/8 x 1/8 Gd.
81	1891T	Washer, Flat 3/8 x 1/8 Gd.
82	1891T	Washer, Flat 3/8 x 1/8 Gd.
83	1891T	Washer, Flat 3/8 x 1/8 Gd.
84	1891T	Washer, Flat 3/8 x 1/8 Gd.
85	1891T	Washer, Flat 3/8 x 1/8 Gd.
86	1891T	Washer, Flat 3/8 x 1/8 Gd.
87	1891T	Washer, Flat 3/8 x 1/8 Gd.
88	1891T	Washer, Flat 3/8 x 1/8 Gd.
89	1891T	Washer, Flat 3/8 x 1/8 Gd.
90	1891T	Washer, Flat 3/8 x 1/8 Gd.
91	1891T	Washer, Flat 3/8 x 1/8 Gd.
92	1891T	Washer, Flat 3/8 x 1/8 Gd.
93	1891T	Washer, Flat 3/8 x 1/8 Gd.
94	1891T	Washer, Flat 3/8 x 1/8 Gd.
95	1891T	Washer, Flat 3/8 x 1/8 Gd.
96	1891T	Washer, Flat 3/8 x 1/8 Gd.
97	1891T	Washer, Flat 3/8 x 1/8 Gd.
98	1891T	Washer, Flat 3/8 x 1/8 Gd.
99	1891T	Washer, Flat 3/8 x 1/8 Gd.
100	1891T	Washer, Flat 3/8 x 1/8 Gd.

*STANDARD HARDWARE-PURCHASE LOCALLY
OPTIONAL EQUIPMENT
Spark Arrestor/Muffler L1248AR

REPAIR PARTS

CLUTCH-BRAKE & DRIVE

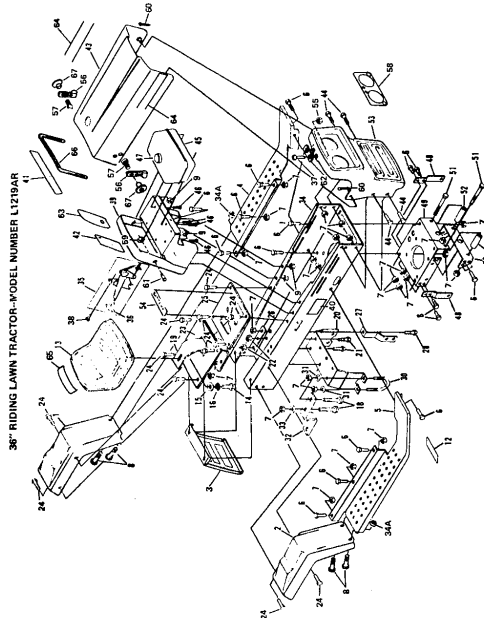


REF. NO.	PART NO.	DESCRIPTION
1	71200	Bltn Guide
2	60599	Screw, Hex Head w/Washer
3	60599	Screw, Hex Head w/Washer
4	6000P	Washer, 1/8 x 1-1/8
5	52889	Pulley, 1/8 x 1-1/8
6	72842	Pulley, 1/8 x 1-1/8
7	60599	Screw, Hex Head w/Washer
8	72394	Washer, 1/8 x 1-1/8
9	1611P	Washer, 1/8 x 1-1/8
10	1611P	Washer, 1/8 x 1-1/8
11	71820	Screw, Machine w/Ext. Lockwasher
12	71820	Screw, Machine w/Ext. Lockwasher
13	6000P	Washer, 1/8 x 1-1/8
14	1610P	Washer, 3/8 x 1-1/4 x 6 Ga.
15	1607P	Washer, 3/8 x 1-1/4 x 6 Ga.
16	2003P	Washer, 1/2 x 3/4 x 16 Ga.
17	1607P	Washer, 3/8 x 1-1/4 x 6 Ga.
18	1609P	Washer, 1/2 x 3/4 x 16 Ga.
19	1609P	Washer, 1/2 x 3/4 x 16 Ga.
20	5119P	Washer, 1/2 x 3/4 x 16 Ga.
21	71001	Locknut w/Washer 5/16 - 18 UNC
22	71001	Locknut w/Washer 5/16 - 18 UNC
23	500P	Spring

*STANDARD HARDWARE - PURCHASE LOCALLY

REPAIR PARTS

CHASSIS

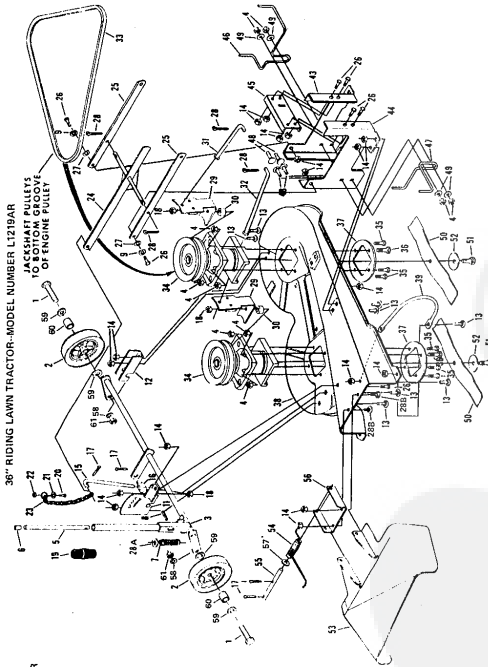


REF. NO.	PART NO.	DESCRIPTION
1	388U	Front B.R.H.
2	388U	Front B.R.H.
3	1538L	Rear Cover
4	1540L	Rear Cover
5	1540L	Rear Cover
6	571P	Nut, Lock 5/16 - 18 UNC
7	571P	Nut, Lock 5/16 - 18 UNC
8	3000P	Bolt, Hex Head 5/16 - 18 x 1/2
9	3000P	Bolt, Hex Head 5/16 - 18 x 1/2
10	1133L	Washer, 1/2 x 3/4 x 16 Ga.
11	1133L	Washer, 1/2 x 3/4 x 16 Ga.
12	1133L	Washer, 1/2 x 3/4 x 16 Ga.
13	3042P	*Bolt, Hex Head 1/2 - 13 x 1
14	3042P	*Bolt, Hex Head 1/2 - 13 x 1
15	1569P	Washer 1/2 x 3/4 x 16 Ga.
16	1569P	Washer 1/2 x 3/4 x 16 Ga.
17	3012P	*Bolt, Hex Head 5/16 - 18 x 1-1/4 G.
18	3012P	*Bolt, Hex Head 5/16 - 18 x 1-1/4 G.
19	3012P	*Bolt, Hex Head 5/16 - 18 x 1-1/4 G.
20	72191	Transaxle Support
21	3023P	*Bolt, Hex Head 3/8 - 18 x 1
22	3023P	*Bolt, Hex Head 3/8 - 18 x 1
23	1756L	Cover Plate, 3/4" Thick
24	5827P	Clutch Cover
25	6716Z	Clutch Cover
26	6716Z	Clutch Cover
27	71198	*Nut, Hex 5/16 - 18 x 1
28	71198	*Nut, Hex 5/16 - 18 x 1
29	71198	*Nut, Hex 5/16 - 18 x 1
30	71008	Washer, 5/16 x 3/4 x 11 Ga.
31	71008	Washer, 5/16 x 3/4 x 11 Ga.
32	1610P	Washer, 3/8 x 1-1/4 x 6 Ga.
33	1610P	Washer, 3/8 x 1-1/4 x 6 Ga.
34	5827P	*Nut, Hex 5/16 - 18 UNC

*STANDARD HARDWARE - PURCHASE LOCALLY

REPAIR PARTS

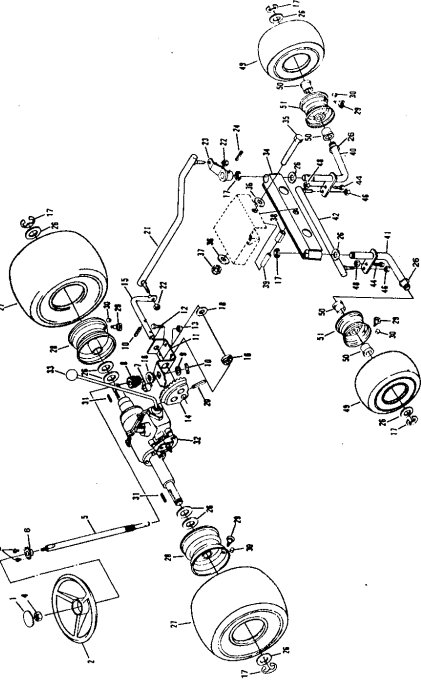
MOWER



38" RIDING LAWN TRACTOR—MODEL NUMBER L1219AR

REPAIR PARTS

STEERING AND WHEELS



36" RIDING LAWN TRACTOR—MODEL NUMBER L1219AR

REPAIR PARTS

MOWER

36" RIDING LAWN TRACTOR—MODEL NUMBER L1219AR

REF. NO.	PART NO.	DESCRIPTION	REF. NO.	PART NO.	DESCRIPTION
1	3198P	Hex Bolt 3/8" x 2 1/2" - 24 Gr. 5	29	877A46	Brake Assembly
2	877A134	Front Rod Assembly	30	506J	Steering Wheel
3	165J1	Roller	31	71525	Brake Rod - R.H.
4	849R	Roller	32	71526	Brake Rod - L.H.
5	165J1	Cap - Lever Plunger	33	794151A	Transaxle Assembly Model 143.68A (See Pages 24 and 25)
6	849R	Roller	34	877A181	Jackshaft Assembly
7	82501R	Pin - Drive Lock	35	1554J	Steering Shaft
8	82501R	Pin - Drive Lock	36	1554J	Bushing
9	82501R	Pin - Drive Lock	37	1554J	Bushing
10	82501R	Pin - Drive Lock	38	74851	Rimless Castor
11	72537	Outer Shim 1.022 x 3/4 x 16 Ga.	39	74851	Rimless Castor
12	87327	Paint Rod Support - 18" - 24 Gr. 5	40	52379	Steering Bracket
13	87327	Paint Rod Support - 18" - 24 Gr. 5	41	52379	Steering Bracket
14	925P	Nut, Lock 5/16" - 18 UNC	42	52379	Steering Bracket
15	925P	Nut, Lock 5/16" - 18 UNC	43	52379	Steering Bracket
16	71301	Adjustment Rod	44	52379	Steering Bracket
17	8002P	Cover Pin 3/32 x 3/4	45	52379	Steering Bracket
18	71301	Adjustment Rod	46	52379	Steering Bracket
19	1447J	Grp. Handle	47	52379	Steering Bracket
20	925P	Nut, Hex Lock 5/16" - 18 UNC	48	52379	Steering Bracket
21	925P	Nut, Hex Lock 5/16" - 18 UNC	49	52379	Steering Bracket
22	925P	Nut, Hex Lock 5/16" - 18 UNC	50	52379	Steering Bracket
23	925P	Nut, Hex Lock 5/16" - 18 UNC	51	52379	Steering Bracket
24	2010P	Parallel Rod Assembly	52	52379	Steering Bracket
25	2010P	Parallel Rod Assembly	53	63754	Blade - Her Heat/Washer - Nylon Patch
26	2010P	Parallel Rod Assembly	54	63754	Blade - Her Heat/Washer - Nylon Patch
27	21515	Spacer Pin 1/8" x 1	55	63754	Blade - Her Heat/Washer - Nylon Patch
28	21515	Spacer Pin 1/8" x 1	56	63754	Blade - Her Heat/Washer - Nylon Patch
29	21515	Spacer Pin 1/8" x 1	57	63754	Blade - Her Heat/Washer - Nylon Patch
30	21515	Spacer Pin 1/8" x 1	58	63754	Blade - Her Heat/Washer - Nylon Patch
31	21515	Spacer Pin 1/8" x 1	59	63754	Blade - Her Heat/Washer - Nylon Patch
32	21515	Spacer Pin 1/8" x 1	60	63754	Blade - Her Heat/Washer - Nylon Patch
33	21515	Spacer Pin 1/8" x 1	61	63754	Blade - Her Heat/Washer - Nylon Patch

* STANDARD HARDWARE—PURCHASE LOCALLY

REPAIR PARTS

STEERING AND WHEELS

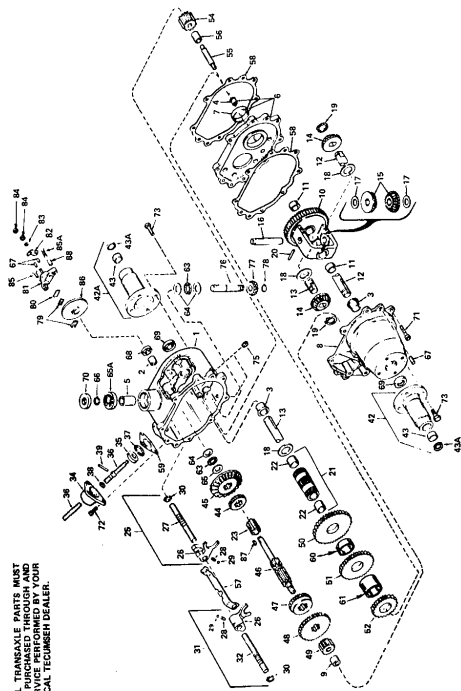
REF. NO.	PART NO.	DESCRIPTION	REF. NO.	PART NO.	DESCRIPTION
1	1114J	Steering Wheel Insert	29	86139	Valve Stem
2	506J	Steering Wheel	30	59192	Valve Cup
3	506J	Steering Wheel	31	794151A	Transaxle Assembly Model 143.68A (See Pages 24 and 25)
4	506J	Steering Wheel	32	794151A	Transaxle Assembly Model 143.68A (See Pages 24 and 25)
5	1554J	Bushing	33	55862	Rocker Bar Assembly - L.H.
6	1554J	Bushing	34	877A81	Rocking Bar Assembly - R.H.
7	1554J	Bushing	35	877A81	Rocking Bar Assembly - R.H.
8	74851	Rimless Castor	36	87151	Ball Lock 1/2" - 13 UNC
9	74851	Rimless Castor	37	87151	Ball Lock 1/2" - 13 UNC
10	52379	Steering Bracket	38	87151	Ball Lock 1/2" - 13 UNC
11	52379	Steering Bracket	39	71188	Pin - Spacer
12	52379	Steering Bracket	40	72237	Kingpin Assembly - L.H.
13	52379	Steering Bracket	41	72237	Kingpin Assembly - R.H.
14	52379	Steering Bracket	42	72237	Kingpin Assembly - R.H.
15	52379	Steering Bracket	43	72237	Kingpin Assembly - R.H.
16	52379	Steering Bracket	44	72237	Kingpin Assembly - R.H.
17	52379	Steering Bracket	45	72237	Kingpin Assembly - R.H.
18	52379	Steering Bracket	46	72237	Kingpin Assembly - R.H.
19	52379	Steering Bracket	47	72237	Kingpin Assembly - R.H.
20	52379	Steering Bracket	48	72237	Kingpin Assembly - R.H.
21	52379	Steering Bracket	49	72237	Kingpin Assembly - R.H.
22	52379	Steering Bracket	50	72237	Kingpin Assembly - R.H.
23	52379	Steering Bracket	51	72237	Kingpin Assembly - R.H.
24	52379	Steering Bracket	52	72237	Kingpin Assembly - R.H.
25	52379	Steering Bracket	53	72237	Kingpin Assembly - R.H.
26	52379	Steering Bracket	54	72237	Kingpin Assembly - R.H.
27	52379	Steering Bracket	55	72237	Kingpin Assembly - R.H.
28	52379	Steering Bracket	56	72237	Kingpin Assembly - R.H.
29	52379	Steering Bracket	57	72237	Kingpin Assembly - R.H.
30	52379	Steering Bracket	58	72237	Kingpin Assembly - R.H.
31	52379	Steering Bracket	59	72237	Kingpin Assembly - R.H.
32	52379	Steering Bracket	60	72237	Kingpin Assembly - R.H.
33	52379	Steering Bracket	61	72237	Kingpin Assembly - R.H.

* STANDARD HARDWARE—PURCHASE LOCALLY

REPAIR PARTS

36" RIDING LAWN TRACTOR-MODEL NUMBER L1219A
TRANSEXLE-MODEL NUMBER 143.658A

ALL TRANSEXLE PARTS MUST BE PURCHASED THROUGH YOUR LOCAL TECUMSEH DEALER.



REPAIR PARTS

36" RIDING LAWN TRACTOR-MODEL NUMBER L1219A
TRANSEXLE-MODEL NUMBER 143.658A

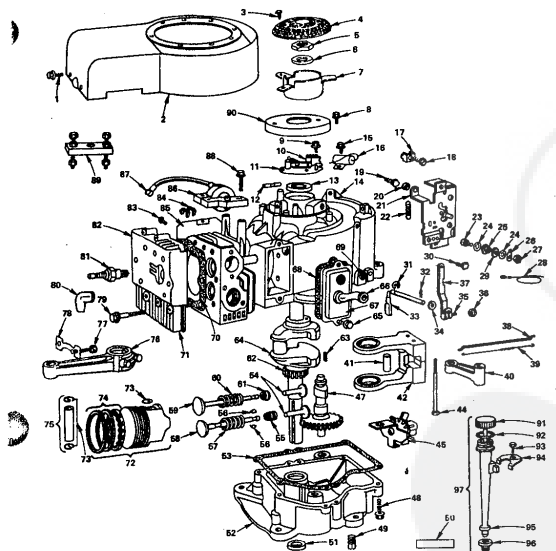
KEY NO.	PART NO.	DESCRIPTION	KEY NO.	PART NO.	DESCRIPTION
1	78491A	Complete Transaxle	51	991675	Seal - Oil
2	78003	Case Assy., Transaxle (Inc. No's. 2, 3 & 9)	52	391784	Sump - Oil (Inc. No's. 51 & 53)
3	78008	Housing - Blower	53	27068	Gasket - Crankcase Cover - 105" Thick
4	78059	Bearing - Bronze	54	27018	Gasket - Crankcase Cover - 100" Thick
5	78001	Shaft - Input (Inc. No's. 4 & 7)	55	29250	Tapco Valve
6	78002	Bearing - Bronze	56	29250	Rotocool - Exhaust Valve
7	78003	Shaft - Output (Inc. No's. 1, 2, 3 & 9)	57	28828	Retainer - Exhaust Valve Rotocool
8	78004	Pin - Drive	58	28185	Spring - Exhaust Valve
9	78005	Washer - Thrust	59	28162	Valve - Intake
10	78006	Washer - Thrust	60	63086	Spring - Intake Valve
11	78007	Washer - Thrust	61	221506	Retainer - Intake Valve
12	78008	Washer - Thrust	62	391794	Crankshaft
13	78009	Washer - Thrust	63	61760	Key - Flywheel
14	78010	Washer - Thrust	64	391794	Crankshaft
15	78011	Washer - Thrust	65	93394	Screw - Sem
16	78012	Washer - Thrust	66	203100	Tube - Breather
17	78013	Washer - Thrust	67	391408	Breather Assembly
18	78014	Washer - Thrust	68	27863	Gasket - Valve Cover
19	78015	Washer - Thrust	69	221605	Bushing - Gov. Crank (1/4" I.D.)
20	78016	Washer - Thrust	70	271075	Gasket - Cylinder Head
21	78017	Washer - Thrust	71	112300	Head - Cylinder
22	78018	Washer - Thrust	72	391285	Piston Assy. - Standard (Inc. No's. 73 & 74)
23	78019	Washer - Thrust	73	391287	Piston Assy. - 010" O.S.
24	78020	Washer - Thrust	74	391288	Piston Assy. - 020" O.S.
25	78021	Washer - Thrust	75	391289	Piston Assy. - 030" O.S.
26	78022	Washer - Thrust	76	29254	Lock - Piston Pin
27	78023	Washer - Thrust	77	391780	Ring Set - Piston - Std.
28	78024	Washer - Thrust	78	391781	Ring Set - Piston - 010" O.S.
29	78025	Washer - Thrust	79	391782	Ring Set - Piston - 020" O.S.
30	78026	Washer - Thrust	80	296691	Pin Assy. - Piston - Std. (Inc. No. 73)
31	78027	Washer - Thrust	81	391785	Pin Assy. - Piston - 010" O.S.
32	78028	Washer - Thrust	82	391786	Pin Assy. - Piston - 020" O.S.
33	78029	Washer - Thrust	83	391787	Pin Assy. - Piston - 030" O.S.
34	78030	Washer - Thrust	84	27259	Rod Assy. - Connecting (Inc. 77 & 78)
35	78031	Washer - Thrust	85	93669	Screw - Conn. Rod
36	78032	Washer - Thrust	86	391775	Lock - Conn. Rod Screw
37	78033	Washer - Thrust	87	222726	Screw - Cylinder Head "L" Long
38	78034	Washer - Thrust	88	93723	NOTE: 93781 Stud - Cylinder Head
39	78035	Washer - Thrust	89	66538	22963 Washer
40	78036	Washer - Thrust	90	298809	Elbow - Spark Plug
41	78037	Washer - Thrust	91	222727	Plug - Spark (1 1/2" High - 37 - 42 MM)
42	78038	Washer - Thrust	92	222728	Terminal No. 221788
43	78039	Washer - Thrust	93	93163	NOTE: Spark Plugs use Ignition Cable
44	78040	Washer - Thrust	94	22744	Terminal No. 221788
45	78041	Washer - Thrust	95	22744	Shield - Cylinder
46	78042	Washer - Thrust	96	39668	Cover - Cylinder Head
47	78043	Washer - Thrust	97	22748	Screw - Cylinder Shield Mfg. Sem
48	78044	Washer - Thrust	98	39668	Clip - Cylinder
49	78045	Washer - Thrust	99	22748	Terminal - Ignition Cable
50	78046	Washer - Thrust	100	39668	Screw - Armature Mounting Sem
51	78047	Washer - Thrust	101	18203	Puller - Flywheel
52	78048	Washer - Thrust	102	222309	Cover - Breaker Point
53	78049	Washer - Thrust	103	391841	Cap and Disc - Oil Filter
54	78050	Washer - Thrust	104	270820	Seal - Filter Cap
55	78051	Washer - Thrust	105	93804	Screw - Clamp Mfg.
56	78052	Washer - Thrust	106	22502	Clamp - Oil Filter Tube
57	78053	Washer - Thrust	107	39014	Tube - Oil Filter
58	78054	Washer - Thrust	108	68838	Seal - Filter Tube
59	78055	Washer - Thrust	109	392037	Filter Group - Oil
60	78056	Washer - Thrust	110	790079	Screw - Flywheel Cap (1/4 - 20 x 1-1/4)
61	78057	Washer - Thrust	111	790079	DA - Flywheel Cap (1/4 - 20 x 1-1/4)
62	78058	Washer - Thrust	112	790079	Seal - Flywheel Cap (1/4 - 20 x 1-1/4)
63	78059	Washer - Thrust	113	790079	Seal - Flywheel Cap (1/4 - 20 x 1-1/4)
64	78060	Washer - Thrust	114	790079	Seal - Flywheel Cap (1/4 - 20 x 1-1/4)
65	78061	Washer - Thrust	115	790079	Seal - Flywheel Cap (1/4 - 20 x 1-1/4)
66	78062	Washer - Thrust	116	790079	Seal - Flywheel Cap (1/4 - 20 x 1-1/4)
67	78063	Washer - Thrust	117	790079	Seal - Flywheel Cap (1/4 - 20 x 1-1/4)
68	78064	Washer - Thrust	118	790079	Seal - Flywheel Cap (1/4 - 20 x 1-1/4)
69	78065	Washer - Thrust	119	790079	Seal - Flywheel Cap (1/4 - 20 x 1-1/4)
70	78066	Washer - Thrust	120	790079	Seal - Flywheel Cap (1/4 - 20 x 1-1/4)
71	78067	Washer - Thrust	121	790079	Seal - Flywheel Cap (1/4 - 20 x 1-1/4)
72	78068	Washer - Thrust	122	790079	Seal - Flywheel Cap (1/4 - 20 x 1-1/4)
73	78069	Washer - Thrust	123	790079	Seal - Flywheel Cap (1/4 - 20 x 1-1/4)
74	78070	Washer - Thrust	124	790079	Seal - Flywheel Cap (1/4 - 20 x 1-1/4)
75	78071	Washer - Thrust	125	790079	Seal - Flywheel Cap (1/4 - 20 x 1-1/4)
76	78072	Washer - Thrust	126	790079	Seal - Flywheel Cap (1/4 - 20 x 1-1/4)
77	78073	Washer - Thrust	127	790079	Seal - Flywheel Cap (1/4 - 20 x 1-1/4)
78	78074	Washer - Thrust	128	790079	Seal - Flywheel Cap (1/4 - 20 x 1-1/4)
79	78075	Washer - Thrust	129	790079	Seal - Flywheel Cap (1/4 - 20 x 1-1/4)
80	78076	Washer - Thrust	130	790079	Seal - Flywheel Cap (1/4 - 20 x 1-1/4)
81	78077	Washer - Thrust	131	790079	Seal - Flywheel Cap (1/4 - 20 x 1-1/4)
82	78078	Washer - Thrust	132	790079	Seal - Flywheel Cap (1/4 - 20 x 1-1/4)
83	78079	Washer - Thrust	133	790079	Seal - Flywheel Cap (1/4 - 20 x 1-1/4)
84	78080	Washer - Thrust	134	790079	Seal - Flywheel Cap (1/4 - 20 x 1-1/4)
85	78081	Washer - Thrust	135	790079	Seal - Flywheel Cap (1/4 - 20 x 1-1/4)
86	78082	Washer - Thrust	136	790079	Seal - Flywheel Cap (1/4 - 20 x 1-1/4)
87	78083	Washer - Thrust	137	790079	Seal - Flywheel Cap (1/4 - 20 x 1-1/4)
88	78084	Washer - Thrust	138	790079	Seal - Flywheel Cap (1/4 - 20 x 1-1/4)
89	78085	Washer - Thrust	139	790079	Seal - Flywheel Cap (1/4 - 20 x 1-1/4)
90	78086	Washer - Thrust	140	790079	Seal - Flywheel Cap (1/4 - 20 x 1-1/4)
91	78087	Washer - Thrust	141	790079	Seal - Flywheel Cap (1/4 - 20 x 1-1/4)
92	78088	Washer - Thrust	142	790079	Seal - Flywheel Cap (1/4 - 20 x 1-1/4)
93	78089	Washer - Thrust	143	790079	Seal - Flywheel Cap (1/4 - 20 x 1-1/4)
94	78090	Washer - Thrust	144	790079	Seal - Flywheel Cap (1/4 - 20 x 1-1/4)
95	78091	Washer - Thrust	145	790079	Seal - Flywheel Cap (1/4 - 20 x 1-1/4)
96	78092	Washer - Thrust	146	790079	Seal - Flywheel Cap (1/4 - 20 x 1-1/4)
97	78093	Washer - Thrust	147	790079	Seal - Flywheel Cap (1/4 - 20 x 1-1/4)
98	78094	Washer - Thrust	148	790079	Seal - Flywheel Cap (1/4 - 20 x 1-1/4)
99	78095	Washer - Thrust	149	790079	Seal - Flywheel Cap (1/4 - 20 x 1-1/4)
100	78096	Washer - Thrust	150	790079	Seal - Flywheel Cap (1/4 - 20 x 1-1/4)

REPAIR PARTS

36" RIDING LAWN TRACTOR-MODEL NUMBER L1219A
BRIGGS & STRATTON 11 H.P. ENGINE-MODEL NO. 252707, TYPE NO. 0172-01

CYLINDER, CRANKSHAFT AND ENGINE BASE GROUP

ALL ENGINE PARTS MUST BE PURCHASED THROUGH AND SERVICE PERFORMED BY YOUR LOCAL BRIGGS AND STRATTON DEALER.



REPAIR PARTS

36" RIDING LAWN TRACTOR-MODEL NUMBER L1219A
BRIGGS & STRATTON 11 H.P. ENGINE-MODEL NO. 252707, TYPE NO. 0172-01

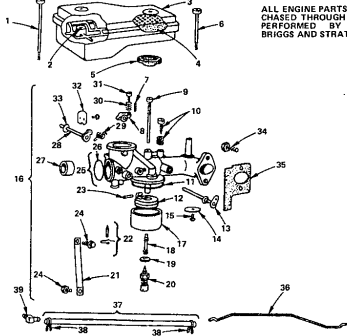
CYLINDER, CRANKSHAFT AND ENGINE BASE GROUP

KEY NO.	PART NO.	DESCRIPTION	KEY NO.	PART NO.	DESCRIPTION
1	93158	Screw - Blower Housing Mounting Sem	51	991675	Seal - Oil
2	39156	Screw - Sem	52	391784	Sump - Oil (Inc. No's. 51 & 53)
3	22352	Screen - Fuel Rotating	53	27068	Gasket - Crankcase Cover - 105" Thick
4	82284	Nut - Hex	54	27018	Gasket - Crankcase Cover - 100" Thick
5	22255	Washer - Spring	55	29250	Tapco Valve
6	22256	Spring - Spring	56	29250	Rotocool - Exhaust Valve
7	93214	Screw - Breaker Adjusting Sem	57	28828	Retainer - Exhaust Valve Rotocool
8	29019	Spring - Breaker Arm	58	28185	Spring - Exhaust Valve
9	93278	Breaker Assy. - Ignition (Inc. No. 10)	59	28162	Valve - Intake
10	391284	Spring - Breaker Point	60	63086	Spring - Intake Valve
11	65104	Seal - Oil	61	221506	Retainer - Intake Valve
12	391086	Cylinder Assy. (Inc. No. 13)	62	391794	Crankshaft
13	391086	Cylinder Assy. (Inc. No. 13)	63	61760	Key - Flywheel
14	391086	Cylinder Assy. (Inc. No. 13)	64	391794	Crankshaft
15	93042	Condenser	65	93394	Screw - Sem
16	391792	Clamp - Casing	66	203100	Tube - Breather
17	221535	Screw - Sem	67	391408	Breather Assembly
18	93486	Screw - Control Bracket Mounting	68	27863	Gasket - Valve Cover
19	93086	Spacer - Control Bracket Mounting	69	221605	Bushing - Gov. Crank (1/4" I.D.)
20	231039	Plate - Gov. Control	70	271075	Gasket - Cylinder Head
21	390622	Spring - Governor	71	112300	Head - Cylinder
22	261305	Screw - Terminal	72	391285	Piston Assy. - Standard (Inc. No's. 73 & 74)
23	81920	Washer - Lock - Shakeproof	73	391287	Piston Assy. - 010" O.S.
24	92791	Collar - Insulating	74	391288	Piston Assy. - 020" O.S.
25	93722	Terminal - Spade	75	391289	Piston Assy. - 030" O.S.
26	90676	Nut - Hex 8 - 32	76	29254	Lock - Piston Pin
27	391802	Washer - Insulating	77	391780	Ring Set - Piston - Std.
28	66958	Washer - Insulating	78	391781	Ring Set - Piston - 010" O.S.
29	93572	Washer - E-Ring	79	391782	Ring Set - Piston - 020" O.S.
30	93287	Cotter - Hair Pin	80	296691	Pin Assy. - Piston - Std. (Inc. No. 73)
31	231058	Crank - Governor (1/4" Dia.)	81	391785	Pin Assy. - Piston - 010" O.S.
32	222450	Washer - Gov. Crank (1/4" I.D.)	82	391786	Pin Assy. - Piston - 020" O.S.
33	86513	Soft - Governor Lever	83	391787	Pin Assy. - Piston - 030" O.S.
34	231082	Nut - Hex 10 - 24	84	27259	Rod Assy. - Connecting (Inc. 77 & 78)
35	391733	Lever Assy. - Governor (ler 1/4")	85	93669	Screw - Conn. Rod
36	391733	Lever Assy. - Governor (ler 1/4")	86	391775	Lock - Conn. Rod Screw
37	391733	Lever Assy. - Governor (ler 1/4")	87	222726	Screw - Cylinder Head "L" Long
38	261186	Link - Governor	88	93723	NOTE: 93781 Stud - Cylinder Head
39	291197	Spring - Governor Link	89	66538	22963 Washer
40	211875	Link - Counterweight	90	298809	Elbow - Spark Plug
41	282809	Pin - Counterweight	91	222727	Plug - Spark (1 1/2" High - 37 - 42 MM)
42	391373	Counterweight Assy. (Inc. No. 41)	92	222728	Terminal No. 221788
43	93275	Screw - Counterweight	93	93163	NOTE: Spark Plugs use Ignition Cable
44	391764	Oil Slinger, Gov. Gear & Bracket Assy.	94	22744	Terminal No. 221788
45	212796	Gear - Cam	95	22744	Shield - Cylinder
46	93585	Screw - Sump Mounting Sem	96	39668	Cover - Cylinder Head
47	91094	Plug - Oil Drain	97	22748	Screw - Cylinder Shield Mfg. Sem
48	393411	Gasket Set	98	39668	Clip - Cylinder
49			99	22748	Terminal - Ignition Cable
50					

REPAIR PARTS

36" RIDING LAWN TRACTOR - MODEL NUMBER L1219AR
BRIGGS & STRATTON 11 H.P. ENGINE - MODEL NO. 252707, TYPE NO. 0172-01

AIR CLEANER AND CARBURETOR



ALL ENGINE PARTS MUST BE PURCHASED THROUGH AND SERVICE PERFORMED BY YOUR LOCAL BRIGGS AND STRATTON DEALER.

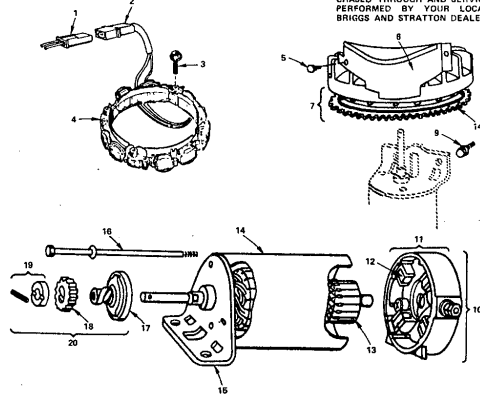
KEY NO.	PART NO.	DESCRIPTION	KEY NO.	PART NO.	DESCRIPTION
1	93323	Screw - Air Cleaner	24	93572	Screw
2	280118	Support - Air Cleaner Element	25	391787	Body Ass'y. - Carburetor (Inc. No. 26)
3	391786	Cleaner Ass'y. - Air (Inc. No's. 2 & 4)	26	221997	*Plug - Wash
4	270843	Element - Air Cleaner	27	211960	Venturi - Carburetor
5	270853	Gasket - Air Cleaner	28	390894	Shaft & Lever - Choke
6	93322	Screw - Air Cleaner	29	261115	Spring - Choke Return
7	93043	Pin - Throttle Stop	30	26157	Spring - Throttle Adjustment
8	211712	Stop - Throttle	31	91520	Screw - Machine, Flat, Hd. 8 - 32 x 5/8"
9	296740	Nozzle - Carburetor	32	222010	Valve Choke
10	292681	*Valve Ass'y. - Carburetor Idle	33	270382	Washer - Choke Shaft
11	270811	*Gasket - Float Bowl	34	93321	Screw - Carburetor Mtg.
12	299707	Float - Carburetor	35	270872	*Gasket - Carburetor Mtg.
13	391512	Shaft & Lever - Throttle	36	291224	Link - Choke
14	222858	Valve - Throttle	37	296004	Pipe - Fuel (Inc. No. 38)
15	93499	Screw - Throttle & Choke Valve Mtg.	38	93053	Clamp - Fuel Pipe
18	393410	Carburetor Ass'y. (Choke-A-Matic) (Inc. No's. 7 thru 23)	39	67218	Connector - Fuel Pipe
17	221995	Bowl - Float			
18	230652	*Screw - Nozzle			
19	222014	*Washer - Float Bowl			
20	391233	*Valve - Needle			
21	222511	Bracket - Carburetor			
22	290098	*Valve - Fuel Inlet			
23	230096	*Pin - Float Hinge			

*INCLUDED IN CARBURETOR OVERHAUL KIT - PART NO. 299852
*INCLUDED IN GASKET SET - PART NO. 393411

REPAIR PARTS

36" RIDING LAWN TRACTOR - MODEL NUMBER L1219AR
BRIGGS & STRATTON 11 H.P. ENGINE - MODEL NO. 252707, TYPE NO. 0172-01

ALTERNATOR AND STARTER MOTOR GROUP

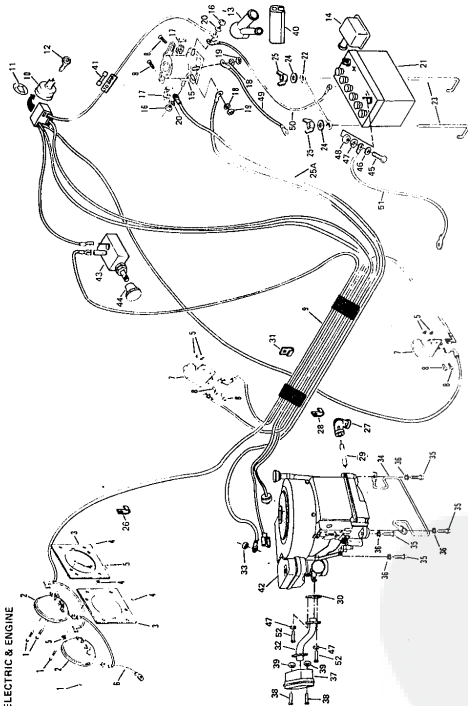


ALL ENGINE PARTS MUST BE PURCHASED THROUGH AND SERVICE PERFORMED BY YOUR LOCAL BRIGGS AND STRATTON DEALER.

KEY NO.	PART NO.	DESCRIPTION	KEY NO.	PART NO.	DESCRIPTION
1	393362	Alt. Harness Assembly	10	392749	Motor and Drive Ass'y. (12 Volt) (Inc. No's. 11 thru 20)
2	393456	Diode and Conn. Assembly	11	390846	End Cap Ass'y. Commutator (Inc. No. 12)
3	93621	Screw - Sem	12	391705	Brush Ass'y.
4	394474	Stator - Alternator	13	390233	Cover and Shield - Starter
5	53410	Screw - Sem	14	292744	Flywheel & Ring Gear Ass'y. - Magneto (Inc. No. 14)
6	390233	Cover and Shield - Starter	15	391705	Thru Bolt Ass'y.
7	391698	Flywheel & Ring Gear Ass'y. - Magneto (Inc. No. 14)	16	280104	Gear
8	393134	Gear - Ring (Inc. Mounting Parts)	17	391462	Retainer & Pin
9	93623	Screw - Sem	18	280104	Gear
			19	391461	Drive Ass'y. (Inc. No's. 17, 18 & 19)
			20	391461	Drive Ass'y. (Inc. No's. 17, 18 & 19)

REPAIR PARTS

ELECTRIC & ENGINE



REPAIR PARTS

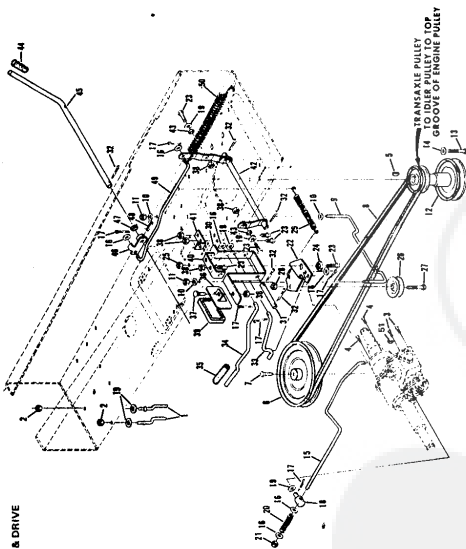
ELECTRIC & ENGINE

KEY NO.	PART NO.	DESCRIPTION	KEY NO.	PART NO.	DESCRIPTION
1	65421	Screw, Machine Truss Head	27	4017P	Sd. Elbow 9/16" x 1/8" NPT
2	6452R	Washer, 1/2" x 1/2"	28	3245R	Insulated Clip
3	23005	Headlight	29	27144	Exhaust Gasket
4	30055	Headlight Support - 24	30	27144	Exhaust Gasket
5	661P	Nut, 1/2" x 1/2"	31	27144	Exhaust Gasket
6	661P	Nut, 1/2" x 1/2"	32	27144	Exhaust Gasket
7	7758R	Safety Switch	33	59480	Screw, Hex, Hd. Thru, Rolling
8	3359P	Screw, Machine Phillips Head	34	59480	Screw, Hex, Hd. Thru, Rolling
9	478	Wire Harness	35	59480	Screw, Hex, Hd. Thru, Rolling
10	8557R	Terminal Identifier	36	1004P	Washer, 1/2" x 1/2"
11	8557R	Terminal Identifier	37	2715	Marbler
12	2522H	Key Set (Over) (Dual)	38	5492	Nut, Lock 5/16" - 18
13	2522H	Terminal Cover (Dual)	39	5492	Nut, Lock 5/16" - 18
14	2522H	Terminal Cover (Dual)	40	5347R	Frame - 20 Arms
15	5398R	Nut, Hex Jam 5/16" - 24	41	191707	Engine - Briggs and Stratton 8 H.P. (Inc. Paper 20 thru 28)
16	5398R	Nut, Hex Jam 5/16" - 24	42	7739R	Light Switch
17	608B1	Washer, 3/8" x 7/8" x .063	43	7739R	Light Switch
18	5439P	Nut, Hex No. 10 - 32	44	1506P	*Washer 9/32" x 5/8" x 1/8" Gh.
19	5439P	Nut, Hex No. 10 - 32	45	2003P	*Hex Nut 1/4" - 20 - 3/4
20	2282P	Washer, 3/8" x 7/8" x .063	46	2003P	*Hex Nut 1/4" - 20 - 3/4
21	2282P	Washer, 3/8" x 7/8" x .063	47	8039P	*Hex Nut 1/4" - 20
22	2282P	Washer, 3/8" x 7/8" x .063	48	8039P	*Hex Nut 1/4" - 20
23	2282P	Washer, 3/8" x 7/8" x .063	49	8039P	*Hex Nut 1/4" - 20
24	2282P	Washer, 3/8" x 7/8" x .063	50	8039P	*Hex Nut 1/4" - 20
25	2282P	Washer, 3/8" x 7/8" x .063	51	8039P	*Hex Nut 1/4" - 20
26	2282P	Washer, 3/8" x 7/8" x .063	52	8039P	*Hex Nut 1/4" - 20
			53	8039P	*Hex Nut 1/4" - 20
			54	8039P	*Hex Nut 1/4" - 20
			55	8039P	*Hex Nut 1/4" - 20
			56	8039P	*Hex Nut 1/4" - 20
			57	8039P	*Hex Nut 1/4" - 20
			58	8039P	*Hex Nut 1/4" - 20
			59	8039P	*Hex Nut 1/4" - 20
			60	8039P	*Hex Nut 1/4" - 20
			61	8039P	*Hex Nut 1/4" - 20
			62	8039P	*Hex Nut 1/4" - 20
			63	8039P	*Hex Nut 1/4" - 20
			64	8039P	*Hex Nut 1/4" - 20
			65	8039P	*Hex Nut 1/4" - 20
			66	8039P	*Hex Nut 1/4" - 20
			67	8039P	*Hex Nut 1/4" - 20
			68	8039P	*Hex Nut 1/4" - 20
			69	8039P	*Hex Nut 1/4" - 20
			70	8039P	*Hex Nut 1/4" - 20
			71	8039P	*Hex Nut 1/4" - 20
			72	8039P	*Hex Nut 1/4" - 20
			73	8039P	*Hex Nut 1/4" - 20
			74	8039P	*Hex Nut 1/4" - 20
			75	8039P	*Hex Nut 1/4" - 20
			76	8039P	*Hex Nut 1/4" - 20
			77	8039P	*Hex Nut 1/4" - 20
			78	8039P	*Hex Nut 1/4" - 20
			79	8039P	*Hex Nut 1/4" - 20
			80	8039P	*Hex Nut 1/4" - 20
			81	8039P	*Hex Nut 1/4" - 20
			82	8039P	*Hex Nut 1/4" - 20
			83	8039P	*Hex Nut 1/4" - 20
			84	8039P	*Hex Nut 1/4" - 20
			85	8039P	*Hex Nut 1/4" - 20
			86	8039P	*Hex Nut 1/4" - 20
			87	8039P	*Hex Nut 1/4" - 20
			88	8039P	*Hex Nut 1/4" - 20
			89	8039P	*Hex Nut 1/4" - 20
			90	8039P	*Hex Nut 1/4" - 20
			91	8039P	*Hex Nut 1/4" - 20
			92	8039P	*Hex Nut 1/4" - 20
			93	8039P	*Hex Nut 1/4" - 20
			94	8039P	*Hex Nut 1/4" - 20
			95	8039P	*Hex Nut 1/4" - 20
			96	8039P	*Hex Nut 1/4" - 20
			97	8039P	*Hex Nut 1/4" - 20
			98	8039P	*Hex Nut 1/4" - 20
			99	8039P	*Hex Nut 1/4" - 20
			100	8039P	*Hex Nut 1/4" - 20

*STANDARD HARDWARE PURCHASE LOCALLY

REPAIR PARTS

36" RIDING LAWN TRACTOR—MODEL NUMBER LZ21BAR
CLUTCH BRAKE & DRIVE



REPAIR PARTS

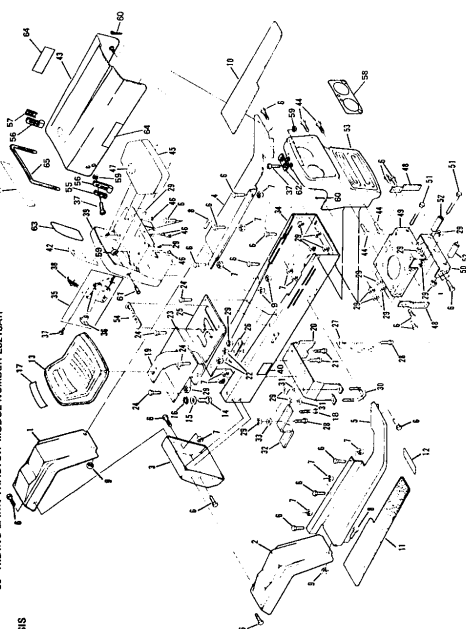
36" RIDING LAWN TRACTOR—MODEL NUMBER LZ21BAR
CLUTCH BRAKE & DRIVE

KEY PART NO.	DESCRIPTION	KEY PART NO.	DESCRIPTION
1	Roller Guide	23	*Nut, Hex Head 5/16 - 18 x 3/4
2	*Nut, Lock 5/16 - 18	24	Brake Pin
3	Screw, Hex Head w/Washer	25	*Nut, Lock 5/16 - 18
4	Screw, Hex Head w/Washer	26	*Nut, Hex Head 3/8 - 16 x 1 - 1/2
5	*Key, Woodruff No. 6	27	*Spring, 1.50" Dia. x 1.50" Ht.
6	*Pulley, Transaxle	28	*Spring, 1.50" Dia. x 1.50" Ht.
7	*Washer, 3/8 x .750 x .063	29	*Spring, 1.50" Dia. x 1.50" Ht.
8	*Washer, 3/8 x .750 x .063	30	*Spring, 1.50" Dia. x 1.50" Ht.
9	*Washer, 3/8 x .750 x .063	31	*Spring, 1.50" Dia. x 1.50" Ht.
10	*Washer, 3/8 x .750 x .063	32	*Spring, 1.50" Dia. x 1.50" Ht.
11	*Washer, 3/8 x .750 x .063	33	*Spring, 1.50" Dia. x 1.50" Ht.
12	*Washer, 3/8 x .750 x .063	34	*Spring, 1.50" Dia. x 1.50" Ht.
13	*Washer, 3/8 x .750 x .063	35	*Spring, 1.50" Dia. x 1.50" Ht.
14	*Washer, 3/8 x .750 x .063	36	*Spring, 1.50" Dia. x 1.50" Ht.
15	*Washer, 3/8 x .750 x .063	37	*Spring, 1.50" Dia. x 1.50" Ht.
16	*Washer, 3/8 x .750 x .063	38	*Spring, 1.50" Dia. x 1.50" Ht.
17	*Washer, 3/8 x .750 x .063	39	*Spring, 1.50" Dia. x 1.50" Ht.
18	*Washer, 3/8 x .750 x .063	40	*Spring, 1.50" Dia. x 1.50" Ht.
19	*Washer, 3/8 x .750 x .063	41	*Spring, 1.50" Dia. x 1.50" Ht.
20	*Washer, 3/8 x .750 x .063	42	*Spring, 1.50" Dia. x 1.50" Ht.
21	*Washer, 3/8 x .750 x .063	43	*Spring, 1.50" Dia. x 1.50" Ht.
22	*Washer, 3/8 x .750 x .063	44	*Spring, 1.50" Dia. x 1.50" Ht.

*STANDARD HARDWARE—PURCHASE LOCALLY

REPAIR PARTS

36" RIDING LAWN TRACTOR—MODEL NUMBER LZ21BAR
CHASSIS



REPAIR PARTS

36" RIDING LAWN TRACTOR—MODEL NUMBER LZ21BAR
CHASSIS

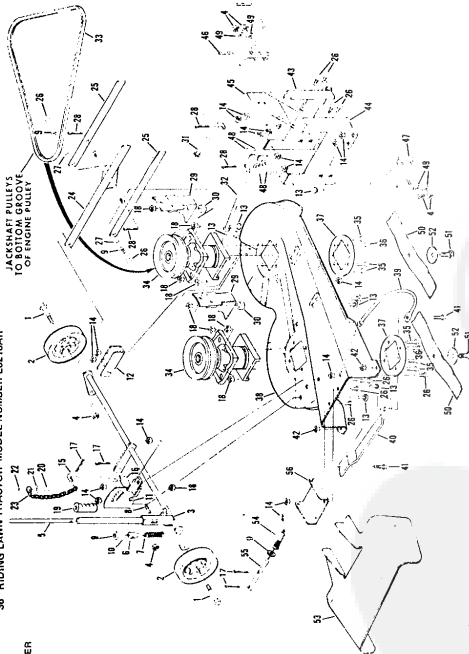
KEY PART NO.	DESCRIPTION	KEY PART NO.	DESCRIPTION
1	*Frame, L.H.	35	Throttle Control Lever (Inc. Key No. 28)
2	*Frame, R.H.	36	*Screw, Hex Head 1/2 - 24 x 1 1/2
3	*Foot Rest, L.H.	37	*Screw, Hex Head 1/2 - 24 x 1 1/2
4	*Foot Rest, R.H.	38	*Nut, Lock 1/2 - 24
5	*Foot Rest, L.H. w/Washer 1/2 - 24 x 3/4	39	*Nut, Lock 1/2 - 24
6	*Foot Rest, R.H. w/Washer 1/2 - 24 x 3/4	40	*Decal, "B"
7	*Nut, Lock 1/2 - 18	41	*Decal, "C"
8	*Nut, Lock 1/2 - 18	42	*Decal, "D"
9	*Nut, Lock 5/16 - 18	43	*Decal, "E"
10	*Nut, Lock 5/16 - 18	44	*Headrest, 14" x 20" x 3/4
11	*Foot Rest Pad, R.H.	45	*Screw, Hex Head 5/16 - 18 x 2 - 3/4
12	*Foot Rest Pad, L.H.	46	*Screw, Hex Head 5/16 - 18 x 2 - 3/4
13	*Seat	47	*Screw, Hex Head 5/16 - 18 x 2 - 3/4
14	*Seat Spring	48	*Screw, Hex Head 5/16 - 18 x 2 - 3/4
15	*Washer, Lock 1/2 - 24 x 3/4	49	*Screw, Hex Head 5/16 - 18 x 2 - 3/4
16	*Washer, Lock 1/2 - 24 x 3/4	50	*Screw, Hex Head 5/16 - 18 x 2 - 3/4
17	*Washer, Lock 1/2 - 24 x 3/4	51	*Screw, Hex Head 5/16 - 18 x 2 - 3/4
18	*Washer, Lock 1/2 - 24 x 3/4	52	*Screw, Hex Head 5/16 - 18 x 2 - 3/4
19	*Washer, Lock 1/2 - 24 x 3/4	53	*Screw, Hex Head 5/16 - 18 x 2 - 3/4
20	*Washer, Lock 1/2 - 24 x 3/4	54	*Screw, Hex Head 5/16 - 18 x 2 - 3/4
21	*Washer, Lock 1/2 - 24 x 3/4	55	*Screw, Hex Head 5/16 - 18 x 2 - 3/4
22	*Washer, Lock 1/2 - 24 x 3/4	56	*Screw, Hex Head 5/16 - 18 x 2 - 3/4
23	*Washer, Lock 1/2 - 24 x 3/4	57	*Screw, Hex Head 5/16 - 18 x 2 - 3/4
24	*Washer, Lock 1/2 - 24 x 3/4	58	*Screw, Hex Head 5/16 - 18 x 2 - 3/4
25	*Washer, Lock 1/2 - 24 x 3/4	59	*Screw, Hex Head 5/16 - 18 x 2 - 3/4
26	*Washer, Lock 1/2 - 24 x 3/4	60	*Screw, Hex Head 5/16 - 18 x 2 - 3/4
27	*Washer, Lock 1/2 - 24 x 3/4	61	*Screw, Hex Head 5/16 - 18 x 2 - 3/4
28	*Washer, Lock 1/2 - 24 x 3/4	62	*Screw, Hex Head 5/16 - 18 x 2 - 3/4
29	*Washer, Lock 1/2 - 24 x 3/4	63	*Screw, Hex Head 5/16 - 18 x 2 - 3/4
30	*Washer, Lock 1/2 - 24 x 3/4	64	*Screw, Hex Head 5/16 - 18 x 2 - 3/4
31	*Washer, Lock 1/2 - 24 x 3/4	65	*Screw, Hex Head 5/16 - 18 x 2 - 3/4
32	*Washer, Lock 1/2 - 24 x 3/4	66	*Screw, Hex Head 5/16 - 18 x 2 - 3/4
33	*Washer, Lock 1/2 - 24 x 3/4	67	*Screw, Hex Head 5/16 - 18 x 2 - 3/4
34	*Washer, Lock 1/2 - 24 x 3/4	68	*Screw, Hex Head 5/16 - 18 x 2 - 3/4

*STANDARD HARDWARE—PURCHASE LOCALLY

REPAIR PARTS

36" RIDING LAWN TRACTOR—MODEL NUMBER LB21BAR

MOWER



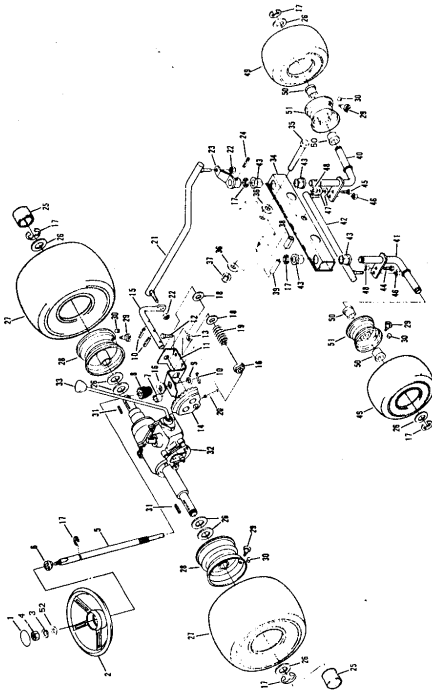
KEY NO.	PART NO.	DESCRIPTION
1	6053R	Axle Bolt
2	71071	Front Rod
3	71071	Front Rod Assembly
4	694A1	Nut, Lock 3/8 - 16
5	71071	Front Rod
6	71071	Pulley
7	71071	Washer, 23/32 x 7/32 x .063
8	44990	Spring Pin - Slotted 1/4 x 1 - 1/2
9	5999R	Washer, 23/32 x 7/32 x .063
10	72751	Cladent Assembly
11	72751	Cladent Assembly
12	597	Spring Pin - Slotted 1/4 x 1 - 1/2
13	597	Spring Pin - Slotted 1/4 x 1 - 1/2
14	6710R	Nut, Lock 5/16 - 18
15	6710R	Nut, Lock 5/16 - 18
16	71301	Washer, 1/2 x 3/8 x .063
17	71301	Washer, 1/2 x 3/8 x .063
18	71301	Washer, 1/2 x 3/8 x .063
19	71301	Washer, 1/2 x 3/8 x .063
20	71301	Washer, 1/2 x 3/8 x .063
21	71301	Washer, 1/2 x 3/8 x .063
22	71301	Washer, 1/2 x 3/8 x .063
23	71301	Washer, 1/2 x 3/8 x .063
24	71301	Washer, 1/2 x 3/8 x .063
25	71301	Washer, 1/2 x 3/8 x .063
26	71301	Washer, 1/2 x 3/8 x .063
27	71301	Washer, 1/2 x 3/8 x .063
28	2909P	Center Pin 1/8 x 1

*STANDARD HARDWARE—PURCHASE LOCALLY

REPAIR PARTS

36" RIDING LAWN TRACTOR—MODEL NUMBER LB21BAR

STEERING & WHEELS

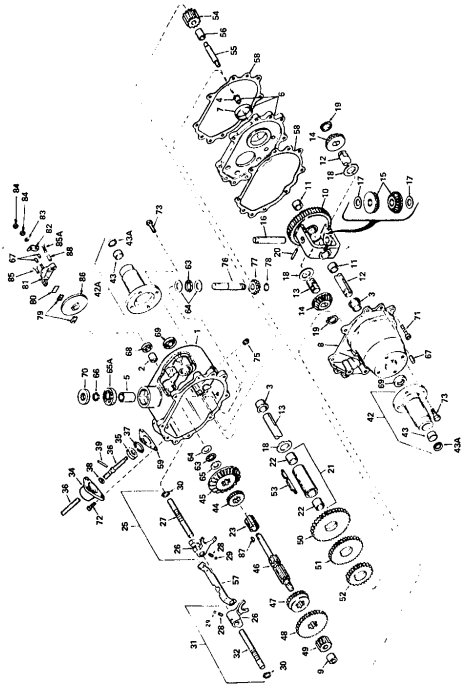


KEY NO.	PART NO.	DESCRIPTION
1	6053R	Axle Bolt
2	6053R	Axle Bolt
3	1000P	Steering Wheel
4	6053R	Axle Bolt
5	74279	Washer, 1/2 x 3/8 x .063
6	74279	Washer, 1/2 x 3/8 x .063
7	74279	Washer, 1/2 x 3/8 x .063
8	74279	Washer, 1/2 x 3/8 x .063
9	74279	Washer, 1/2 x 3/8 x .063
10	52739	Spring Pin 3/16 x 1
11	52739	Spring Pin 3/16 x 1
12	5010P	Nut, Lock 5/16 - 18 x 3/4
13	6710R	Nut, Lock 5/16 - 18 x 3/4
14	6710R	Nut, Lock 5/16 - 18 x 3/4
15	74278	Washer, 1/2 x 3/8 x .063
16	74278	Washer, 1/2 x 3/8 x .063
17	52739	Spring Pin 3/16 x 1
18	52739	Spring Pin 3/16 x 1
19	52739	Spring Pin 3/16 x 1
20	52739	Spring Pin 3/16 x 1
21	7810H	Washer, 1/2 x 3/8 x .063
22	7810H	Washer, 1/2 x 3/8 x .063
23	7810H	Washer, 1/2 x 3/8 x .063
24	52739	Spring Pin 3/16 x 1
25	74279	Washer, 1/2 x 3/8 x .063
26	74279	Washer, 1/2 x 3/8 x .063
27	71653	Washer, 5/16 x 1/8 x 1/4 x 21 Ga.
28	71653	Washer, 5/16 x 1/8 x 1/4 x 21 Ga.

*STANDARD HARDWARE—PURCHASE LOCALLY

REPAIR PARTS

36" RIDING LAWN TRACTOR-MODEL NUMBER L8218AR
TRANSAKLE NO. 784191-MODEL NUMBER 143.658



REPAIR PARTS

36" RIDING LAWN TRACTOR-MODEL NUMBER L8218AR
TRANSAKLE NO. 784191-MODEL NUMBER 143.658

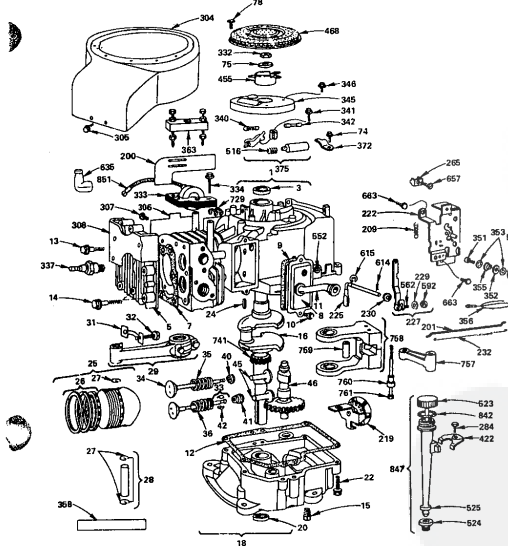
KEY NO.	PART NO.	DESCRIPTION	KEY NO.	PART NO.	DESCRIPTION
1	734191	Complete Transaxle	227	391733	Lever Assy. - Governor (For 1/4" Dia. Crank)
2	730000	Gear Assy. No. Transaxle (Inc. No. 2, 2.8 & 5)	229	220680	Washer - Flat
3	730001	Gasket - Valve Cover	230	224450	Washer - Gov. Lever (1 1/4" I.D.)
4	730002	Timing Belt	232	260584	Spring - Governor Link
5	730003	Timing Bracket	265	221535	Clamp - Casing
6	730004	Timing Cover	298	93004	Screw - Clamp Mtg.
7	730005	Timing Pulley	304	381379	Housing - Blower
8	730006	Timing Pulley (35T Teeth)	305	222830	Screw - Blower Housing Mounting Sem
9	730007	Timing Pulley (35T Teeth)	306	222830	Shield - Cylinder
10	730008	Timing Pulley (35T Teeth)	307	93153	Screw - Cylinder Shield Mtg. Sem
11	730009	Timing Pulley (35T Teeth)	308	222636	Cover - Cylinder Head
12	730010	Timing Pulley (35T Teeth)	322	93284	Nut - Flywheel
13	730011	Timing Pulley (35T Teeth)	333	238988	Armature Assembly
14	730012	Timing Pulley (35T Teeth)	334	93381	Screw - Armature Mounting Sem
15	730013	Timing Pulley (35T Teeth)	337	233918	Plug - Spark (1 - 1/2" High - 38 M.M. Resistor)
16	730014	Timing Pulley (35T Teeth)	340	20218	NOTE: Ignition Cable Terminal No. 221798
17	730015	Timing Pulley (35T Teeth)	341	93381	Spring - Breaker Arm
18	730016	Timing Pulley (35T Teeth)	342	65704	Screw - Breaker Arm Mounting Sem
19	730017	Timing Pulley (35T Teeth)	343	65704	Plunger - Breaker Point
20	730018	Timing Pulley (35T Teeth)	345	221117	Cover - Breaker Point
21	730019	Timing Pulley (35T Teeth)	346	93014	Screw - Sem
22	730020	Timing Pulley (35T Teeth)	351	93755	Screw - Terminal
23	730021	Timing Pulley (35T Teeth)	352	69068	Washer - Insulating
24	730022	Timing Pulley (35T Teeth)	353	93791	Washer - Lock Shakerproof
25	730023	Timing Pulley (35T Teeth)	354	96576	Nut - Hex 8 - 32
26	730024	Timing Pulley (35T Teeth)	355	95554	Collar - Insulating
27	730025	Timing Pulley (35T Teeth)	356	299500	Wire - Ground
28	730026	Timing Pulley (35T Teeth)	358	299577	Gasket Set
29	730027	Timing Pulley (35T Teeth)	363	19165	Pusher - Flywheel
30	730028	Timing Pulley (35T Teeth)	372	220477	Clamp - Condenser
31	730029	Timing Pulley (35T Teeth)	375	238428	Breaker Points and Condenser Set
32	730030	Timing Pulley (35T Teeth)	422	NOTE: 299081 Ignition Kit Includes 294626 Point Set, 65704 Plunger, 61760 Key, Flywheel	
33	730031	Timing Pulley (35T Teeth)	455	227561	Clamp - Oil Filler Tube
34	730032	Timing Pulley (35T Teeth)	468	227562	Cup - Screen Mounting
35	730033	Timing Pulley (35T Teeth)	523	381840	Screen - Flush Rotating
36	730034	Timing Pulley (35T Teeth)	524	68838	Seal - Filler Tube
37	730035	Timing Pulley (35T Teeth)	525	90113	Tube - Oil Filler
38	730036	Timing Pulley (35T Teeth)	562	231055	Bushing - Gov. Crank (1 1/4" I.D.)
39	730037	Timing Pulley (35T Teeth)	567	93306	Nut - Hex 10 - 24
40	730038	Timing Pulley (35T Teeth)	614	93306	Cotter - Hair Pin
41	730039	Timing Pulley (35T Teeth)	615	93307	Retainer - E-Ring
42	730040	Timing Pulley (35T Teeth)	635	66538	Elbow - Spark Plug
43	730041	Timing Pulley (35T Teeth)	651	93490	Screw - Sem
44	730042	Timing Pulley (35T Teeth)	663	93572	Screw
45	730043	Timing Pulley (35T Teeth)	729	22190	Clip - Wire
46	730044	Timing Pulley (35T Teeth)	741	261195	Gear - Timing
47	730045	Timing Pulley (35T Teeth)	757	211875	Link - Counterweight
48	730046	Timing Pulley (35T Teeth)	768	390172	Counterweight Assy.
49	730047	Timing Pulley (35T Teeth)	759	268909	Pin - Counterweight
50	730048	Timing Pulley (35T Teeth)	760	238940	Spacer - Counterweight
51	730049	Timing Pulley (35T Teeth)	761	93874	Screw - Counterweight
52	730050	Timing Pulley (35T Teeth)	842	220920	Seal - Filler Cap
53	730051	Timing Pulley (35T Teeth)	843	382066	Filler Group - Oil
54	730052	Timing Pulley (35T Teeth)	851	221798	Terminal - Ignition Cable
55	730053	Timing Pulley (35T Teeth)			INCLUDED IN GASKET SET - PART NO. 299577

REPAIR PARTS

36" RIDING LAWN TRACTOR-MODEL NUMBER L8218AR
BRIGGS & STRATTON 8 H.P. ENGINE-MODEL NO. 191707, TYPE NO. 5627-01

CYLINDER, CRANKSHAFT AND ENGINE BASE GROUP

ALL ENGINE PARTS MUST BE PURCHASED THROUGH AND SERVICE PERFORMED BY YOUR LOCAL BRIGGS AND STRATTON DEALER.



REPAIR PARTS

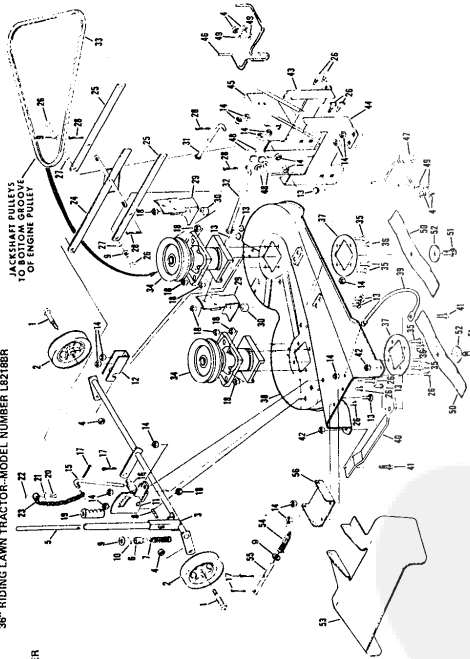
36" RIDING LAWN TRACTOR-MODEL NUMBER L8218AR
BRIGGS & STRATTON 8 H.P. ENGINE-MODEL NO. 191707, TYPE NO. 5627-01

KEY NO.	PART NO.	DESCRIPTION	KEY NO.	PART NO.	DESCRIPTION
1	392005	Cylinder Assembly (Inc. Key No. 3)	227	391733	Lever Assy. - Governor (For 1/4" Dia. Crank)
2	391726	Seal - Oil	229	220680	Washer - Flat
3	294606	Gasket - Valve Cover	230	224450	Washer - Gov. Lever (1 1/4" I.D.)
4	212885	Timing Belt	232	260584	Spring - Governor Link
5	270430	Timing Bracket	265	221535	Clamp - Casing
6	391406	Timing Cover	298	93004	Screw - Clamp Mtg.
7	278033	Timing Pulley	304	381379	Housing - Blower
8	391406	Timing Pulley (35T Teeth)	305	222830	Screw - Blower Housing Mounting Sem
9	278033	Timing Pulley (35T Teeth)	306	222830	Shield - Cylinder
10	93304	Timing Pulley (35T Teeth)	307	93153	Screw - Cylinder Shield Mtg. Sem
11	280505	Timing Pulley (35T Teeth)	308	222636	Cover - Cylinder Head
12	27750	Timing Pulley (35T Teeth)	322	93284	Nut - Flywheel
13	27876	Timing Pulley (35T Teeth)	333	238988	Armature Assembly
14	27877	Timing Pulley (35T Teeth)	334	93381	Screw - Armature Mounting Sem
15	93211	Timing Pulley (35T Teeth)	337	233918	Plug - Spark (1 - 1/2" High - 38 M.M. Resistor)
16	93723	Timing Pulley (35T Teeth)	340	20218	NOTE: Ignition Cable Terminal No. 221798
17	91094	Timing Pulley (35T Teeth)	341	93381	Spring - Breaker Arm
18	391752	Timing Pulley (35T Teeth)	342	65704	Screw - Breaker Arm Mounting Sem
19	298516	Timing Pulley (35T Teeth)	343	65704	Plunger - Breaker Point
20	298423	Timing Pulley (35T Teeth)	345	221117	Cover - Breaker Point
21	83685	Timing Pulley (35T Teeth)	346	93014	Screw - Sem
22	81760	Timing Pulley (35T Teeth)	351	93755	Screw - Terminal
23	391673	Timing Pulley (35T Teeth)	352	69068	Washer - Insulating
24	391674	Timing Pulley (35T Teeth)	353	93791	Washer - Lock Shakerproof
25	391675	Timing Pulley (35T Teeth)	354	96576	Nut - Hex 8 - 32
26	391676	Timing Pulley (35T Teeth)	355	95554	Collar - Insulating
27	391677	Timing Pulley (35T Teeth)	356	299500	Wire - Ground
28	299743	Timing Pulley (35T Teeth)	358	299577	Gasket Set
29	391678	Timing Pulley (35T Teeth)	363	19165	Pusher - Flywheel
30	391679	Timing Pulley (35T Teeth)	372	220477	Clamp - Condenser
31	391680	Timing Pulley (35T Teeth)	375	238428	Breaker Points and Condenser Set
32	299743	Timing Pulley (35T Teeth)	422	NOTE: 299081 Ignition Kit Includes 294626 Point Set, 65704 Plunger, 61760 Key, Flywheel	
33	391681	Timing Pulley (35T Teeth)	455	227561	Clamp - Oil Filler Tube
34	391682	Timing Pulley (35T Teeth)	468	227562	Cup - Screen Mounting
35	68546	Timing Pulley (35T Teeth)	523	381840	Screen - Flush Rotating
36	205840	Timing Pulley (35T Teeth)	524	68838	Seal - Filler Tube
37	285841	Timing Pulley (35T Teeth)	525	90113	Tube - Oil Filler
38	390402	Timing Pulley (35T Teeth)	562	231055	Bushing - Gov. Crank (1 1/4" I.D.)
39	NOTE: For Connecting Rod with .020" Under-size Crankpin Bore - Order No. 390773	Timing Pulley (35T Teeth)	567	93306	Nut - Hex 10 - 24
40	22114	Timing Pulley (35T Teeth)	614	93306	Cotter - Hair Pin
41	390413	Timing Pulley (35T Teeth)	615	93307	Retainer - E-Ring
42	390413	Timing Pulley (35T Teeth)	635	66538	Elbow - Spark Plug
43	281055	Timing Pulley (35T Teeth)	651	93490	Screw - Sem
44	69906	Timing Pulley (35T Teeth)	663	93572	Screw
45	35830	Timing Pulley (35T Teeth)	729	22190	Clip - Wire
46	221596	Timing Pulley (35T Teeth)	741	261195	Gear - Timing
47	282760	Timing Pulley (35T Teeth)	757	211875	Link - Counterweight
48	35830	Timing Pulley (35T Teeth)	768	390172	Counterweight Assy.
49	290333	Timing Pulley (35T Teeth)	759	268909	Pin - Counterweight
50	211689	Timing Pulley (35T Teeth)	760	238940	Spacer - Counterweight
51	93042	Timing Pulley (35T Teeth)	761	93874	Screw - Counterweight
52	220685	Timing Pulley (35T Teeth)	842	220920	Seal - Filler Cap
53	93639	Timing Pulley (35T Teeth)	843	382066	Filler Group - Oil
54	221760	Timing Pulley (35T Teeth)	851	221798	Terminal - Ignition Cable
55	262071	Timing Pulley (35T Teeth)			INCLUDED IN GASKET SET - PART NO. 299577
56	261308	Timing Pulley (35T Teeth)			
57	392718	Timing Pulley (35T Teeth)			
58	390662	Timing Pulley (35T Teeth)			
59	231098	Timing Pulley (35T Teeth)			

REPAIR PARTS

36" RIDING LAWN TRACTOR—MODEL NUMBER L8218BR

MOWER

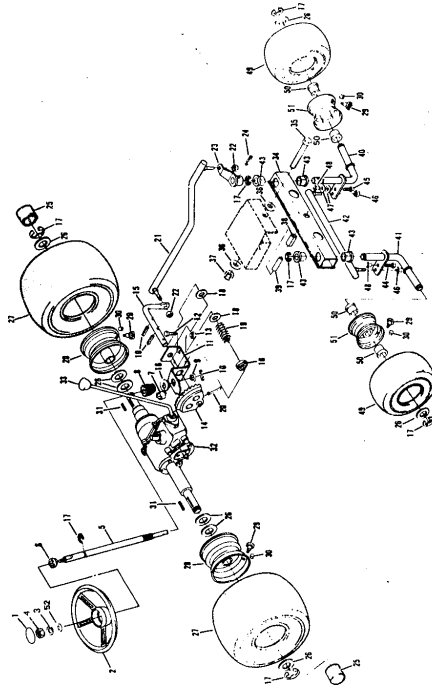


JACKSHAFT PULLEYS
OF ENGINE PULLEY

REPAIR PARTS

36" RIDING LAWN TRACTOR—MODEL NUMBER L8218BR

STEERING & WHEELS



REPAIR PARTS

36" RIDING LAWN TRACTOR—MODEL NUMBER L8218BR

MOWER

KEY NO.	PART NO.	DESCRIPTION
2	65528	Eye Bolt
3	71821	Pin, Rod Assembly
4	71821	Lock Pin, 1/8"
5	73983	Lock Pin, 1/8"
6	71666	Spring
7	71666	Spring
8	54880	Spring Pin - Slotted 1/4 x 1 1/2
9	52274	Spring Pin 1/8 x 5/8
10	52970	Spring Pin 1/8 x 5/8
11	52970	Spring Pin 1/8 x 5/8
12	62337	Power Rod Support
13	159	Pin
14	159	Pin
15	71300	Adjustment Rod
16	62235	Pin, Lock 3/8 - 16
17	2325P	Pin
18	62235	Pin, Lock 3/8 - 16
19	62235	Pin, Lock 3/8 - 16
20	2325P	Pin
21	65329	Phillips Pan-Hd. Machine Screw
22	53800	Nut, Lock 1/4 - 20
23	72915	Washer, 206 x 1.003
24	72915	Washer, 206 x 1.003
25	677A52	Parallel Rod Assembly
26	71615	Blade
27	2010P	Blade
28	71615	Blade
29	2300P	Corner Pin, 1/8 x 1
30	71822	Brake Spring
31	71822	Brake Spring
32	62983	Bracket, L.H.
33	62983	Bracket, R.H.
34	3523P	Blade
35	3523P	Blade
36	677A51	Housing w/SH. Screening
37	677A51	Housing w/SH. Screening
38	677A51	Housing w/SH. Screening
39	677A51	Housing w/SH. Screening
40	74016	Solid Bar
41	51457	Screw, Machine 5/16 - 18 x 7/8
42	71275	Housing Bracket, L.H.
43	71275	Housing Bracket, R.H.
44	71275	Housing Bracket, L.H.
45	71275	Housing Bracket, R.H.
46	1996	Blade
47	1996	Blade
48	1996	Blade
49	1996	Blade
50	71295	Blade
51	71295	Blade
52	677A52	Discharge Guard
53	677A52	Discharge Guard
54	677A52	Discharge Guard
55	71555	Hinge Rod
56	71528	Bracket - Discharge Guard

*STANDARD HARDWARE—PURCHASE LOCALLY

REPAIR PARTS

36" RIDING LAWN TRACTOR—MODEL NUMBER L8218BR

STEERING AND WHEELS

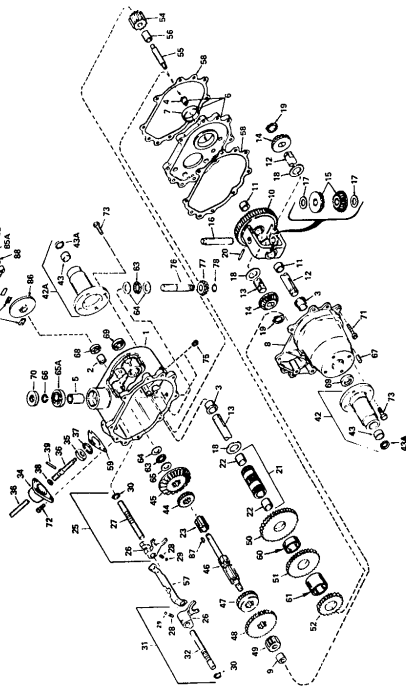
KEY NO.	PART NO.	DESCRIPTION
1	1114J	Steering Wheel Inset
2	500J	Steering Wheel
3	500J	Steering Wheel
4	500P	*Nut, Hex, 3/16 - 5
5	500P	*Nut, Hex, 3/16 - 5
6	71219	Steering Shaft
7	71219	Steering Shaft
8	71219	Steering Shaft
9	69395	Washer, 650 x 1.00 x .127
10	69395	Washer, 650 x 1.00 x .127
11	74579	Steering Arm
12	3070P	*Nut, Hex Head 5/16 - 18 x 3/4
13	3070P	*Nut, Hex Head 5/16 - 18 x 3/4
14	71172	Cher
15	71172	Cher
16	71208	Blending Rod
17	52913	E-Ring 2/4 Shaft .500 x .250
18	52913	E-Ring 2/4 Shaft .500 x .250
19	72988	Spring
20	72988	Spring
21	71219	Steering Shaft
22	7101H	Locknut, Hex 208 - 24
23	62073	Spring Pin 1/4 x 1 - 1/4
24	62073	Spring Pin 1/4 x 1 - 1/4
25	1919	Washer, 25/32 x 1 - 1/4 x 21 Ga.
26	1919	Washer, 25/32 x 1 - 1/4 x 21 Ga.
27	71653	Tire (116.00 - 9.50 x 8)
28	71652	Tire

*STANDARD HARDWARE—PURCHASE LOCALLY

REPAIR PARTS

36" RIDING LAWN TRACTOR-MODEL NUMBER L8218BR
 TRANSAXLE NO. 794191A-MODEL NUMBER 143.658A

ALL TRANSDAXLE PARTS MUST
 BE PURCHASED THROUGH YOUR
 LOCAL EQUIPMENT DEALER



REPAIR PARTS

36" RIDING LAWN TRACTOR-MODEL NUMBER L8218BR
 TRANSAXLE NO. 794191A-MODEL NUMBER 143.658A

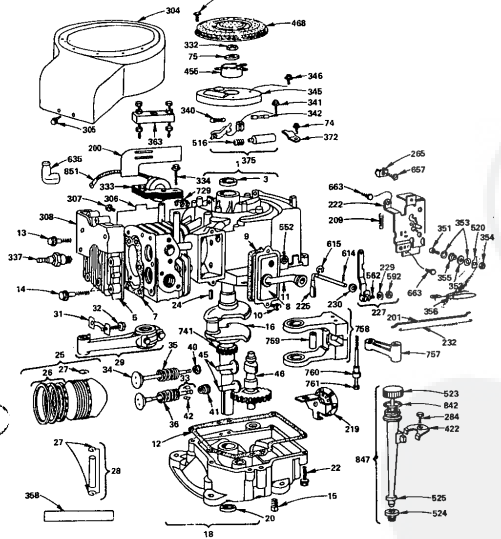
KEY NO.	PART NO.	DESCRIPTION	KEY NO.	PART NO.	DESCRIPTION
1	794191A	Complete Transaxle (Inc. No. 2, 3 & 5)	46	778232	Gov. Bevel (25 Teeth)
2	780088	Bushing - Cylinder	47	778688	Gov. Shaft (2 1/2 x 1/4)
3	214286	Head - Cylinder	48	778688	Gov. Shaft (2 1/2 x 1/4)
4	214286	Head - Cylinder	49	778688	Gov. Shaft (2 1/2 x 1/4)
5	214286	Head - Cylinder	50	778688	Gov. Shaft (2 1/2 x 1/4)
6	214286	Head - Cylinder	51	778688	Gov. Shaft (2 1/2 x 1/4)
7	214286	Head - Cylinder	52	778688	Gov. Shaft (2 1/2 x 1/4)
8	214286	Head - Cylinder	53	778688	Gov. Shaft (2 1/2 x 1/4)
9	214286	Head - Cylinder	54	778688	Gov. Shaft (2 1/2 x 1/4)
10	214286	Head - Cylinder	55	778688	Gov. Shaft (2 1/2 x 1/4)
11	214286	Head - Cylinder	56	778688	Gov. Shaft (2 1/2 x 1/4)
12	214286	Head - Cylinder	57	778688	Gov. Shaft (2 1/2 x 1/4)
13	214286	Head - Cylinder	58	778688	Gov. Shaft (2 1/2 x 1/4)
14	214286	Head - Cylinder	59	778688	Gov. Shaft (2 1/2 x 1/4)
15	214286	Head - Cylinder	60	778688	Gov. Shaft (2 1/2 x 1/4)
16	214286	Head - Cylinder	61	778688	Gov. Shaft (2 1/2 x 1/4)
17	214286	Head - Cylinder	62	778688	Gov. Shaft (2 1/2 x 1/4)
18	214286	Head - Cylinder	63	778688	Gov. Shaft (2 1/2 x 1/4)
19	214286	Head - Cylinder	64	778688	Gov. Shaft (2 1/2 x 1/4)
20	214286	Head - Cylinder	65	778688	Gov. Shaft (2 1/2 x 1/4)
21	214286	Head - Cylinder	66	778688	Gov. Shaft (2 1/2 x 1/4)
22	214286	Head - Cylinder	67	778688	Gov. Shaft (2 1/2 x 1/4)
23	214286	Head - Cylinder	68	778688	Gov. Shaft (2 1/2 x 1/4)
24	214286	Head - Cylinder	69	778688	Gov. Shaft (2 1/2 x 1/4)
25	214286	Head - Cylinder	70	778688	Gov. Shaft (2 1/2 x 1/4)
26	214286	Head - Cylinder	71	778688	Gov. Shaft (2 1/2 x 1/4)
27	214286	Head - Cylinder	72	778688	Gov. Shaft (2 1/2 x 1/4)
28	214286	Head - Cylinder	73	778688	Gov. Shaft (2 1/2 x 1/4)
29	214286	Head - Cylinder	74	778688	Gov. Shaft (2 1/2 x 1/4)
30	214286	Head - Cylinder	75	778688	Gov. Shaft (2 1/2 x 1/4)
31	214286	Head - Cylinder	76	778688	Gov. Shaft (2 1/2 x 1/4)
32	214286	Head - Cylinder	77	778688	Gov. Shaft (2 1/2 x 1/4)
33	214286	Head - Cylinder	78	778688	Gov. Shaft (2 1/2 x 1/4)
34	214286	Head - Cylinder	79	778688	Gov. Shaft (2 1/2 x 1/4)
35	214286	Head - Cylinder	80	778688	Gov. Shaft (2 1/2 x 1/4)
36	214286	Head - Cylinder	81	778688	Gov. Shaft (2 1/2 x 1/4)
37	214286	Head - Cylinder	82	778688	Gov. Shaft (2 1/2 x 1/4)
38	214286	Head - Cylinder	83	778688	Gov. Shaft (2 1/2 x 1/4)
39	214286	Head - Cylinder	84	778688	Gov. Shaft (2 1/2 x 1/4)
40	214286	Head - Cylinder	85	778688	Gov. Shaft (2 1/2 x 1/4)
41	214286	Head - Cylinder	86	778688	Gov. Shaft (2 1/2 x 1/4)
42	214286	Head - Cylinder	87	778688	Gov. Shaft (2 1/2 x 1/4)
43	214286	Head - Cylinder	88	778688	Gov. Shaft (2 1/2 x 1/4)
44	214286	Head - Cylinder	89	778688	Gov. Shaft (2 1/2 x 1/4)
45	214286	Head - Cylinder	90	778688	Gov. Shaft (2 1/2 x 1/4)
46	214286	Head - Cylinder	91	778688	Gov. Shaft (2 1/2 x 1/4)
47	214286	Head - Cylinder	92	778688	Gov. Shaft (2 1/2 x 1/4)
48	214286	Head - Cylinder	93	778688	Gov. Shaft (2 1/2 x 1/4)
49	214286	Head - Cylinder	94	778688	Gov. Shaft (2 1/2 x 1/4)
50	214286	Head - Cylinder	95	778688	Gov. Shaft (2 1/2 x 1/4)
51	214286	Head - Cylinder	96	778688	Gov. Shaft (2 1/2 x 1/4)
52	214286	Head - Cylinder	97	778688	Gov. Shaft (2 1/2 x 1/4)
53	214286	Head - Cylinder	98	778688	Gov. Shaft (2 1/2 x 1/4)
54	214286	Head - Cylinder	99	778688	Gov. Shaft (2 1/2 x 1/4)
55	214286	Head - Cylinder	100	778688	Gov. Shaft (2 1/2 x 1/4)

REPAIR PARTS

36" RIDING LAWN TRACTOR-MODEL NUMBER L8218BR
 BRIGGS & STRATTON 8 H.P. ENGINE-MODEL NO. 191707, TYPE NO. 5627-01

CYLINDER, CRANKSHAFT AND ENGINE BASE GROUP

ALL ENGINE PARTS MUST BE PURCHASED THROUGH AND SERVICE PERFORMED BY YOUR LOCAL BRIGGS & STRATTON DEALER



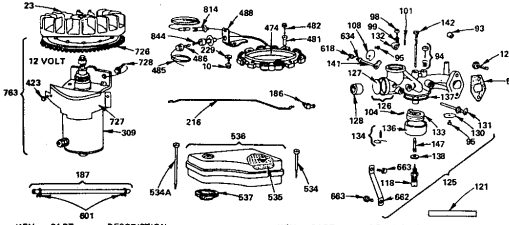
REPAIR PARTS

36" RIDING LAWN TRACTOR-MODEL NUMBER L8218BR
 BRIGGS & STRATTON 8 H.P. ENGINE-MODEL NO. 191707, TYPE NO. 5627-01

KEY NO.	PART NO.	DESCRIPTION	KEY NO.	PART NO.	DESCRIPTION
1	392005	Cylinder Assembly (Inc. Key No. 3)	227	391733	Lever Assy. - Governor (For 1/4" Dia Crank)
2	391726	Bushing - Cylinder	228	220680	Washer - Flat
3	294606	Seal - Oil	229	224450	Spring - Governor Link (1/4" I.D.)
4	212286	Head - Cylinder	230	224450	Spring - Governor Link (1/4" I.D.)
5	212286	Head - Cylinder	231	224450	Spring - Governor Link (1/4" I.D.)
6	212286	Head - Cylinder	232	224450	Spring - Governor Link (1/4" I.D.)
7	212286	Head - Cylinder	233	224450	Spring - Governor Link (1/4" I.D.)
8	391406	Breather Tube Assembly	234	224450	Spring - Governor Link (1/4" I.D.)
9	21900	Gasket - Valve Cover	235	224450	Spring - Governor Link (1/4" I.D.)
10	93394	Screw - Set	236	224450	Spring - Governor Link (1/4" I.D.)
11	280005	Tube - Breather	237	224450	Spring - Governor Link (1/4" I.D.)
12	27750	*Gasket - Crankcase Cover - 1/64" Thick	238	224450	Spring - Governor Link (1/4" I.D.)
13	27876	*Gasket - Crankcase Cover - .005" Thick	239	224450	Spring - Governor Link (1/4" I.D.)
14	27877	*Gasket - Crankcase Cover - .009" Thick	240	224450	Spring - Governor Link (1/4" I.D.)
15	93211	Screw - Cylinder Head (2 - 21/32" Long)	241	224450	Spring - Governor Link (1/4" I.D.)
16	93723	Screw - Cylinder Head (3" Long)	242	224450	Spring - Governor Link (1/4" I.D.)
17	91084	Plug - Oil Drain	243	224450	Spring - Governor Link (1/4" I.D.)
18	391757	Crankshaft	244	224450	Spring - Governor Link (1/4" I.D.)
19	298316	Pump - Oil (Inc. Key No. 12 & 20)	245	224450	Spring - Governor Link (1/4" I.D.)
20	298423	Seal - Oil	246	224450	Spring - Governor Link (1/4" I.D.)
21	93585	Screw - Pump	247	224450	Spring - Governor Link (1/4" I.D.)
22	61760	Key - Flywheel	248	224450	Spring - Governor Link (1/4" I.D.)
23	391673	Piston Assy. - Std.	249	224450	Spring - Governor Link (1/4" I.D.)
24	391674	Piston Assy. - .010" O.S.	250	224450	Spring - Governor Link (1/4" I.D.)
25	391675	Piston Assy. - .020" O.S.	251	224450	Spring - Governor Link (1/4" I.D.)
26	391676	Piston Assy. - .030" O.S.	252	224450	Spring - Governor Link (1/4" I.D.)
27	391677	Piston Assy. - .040" O.S.	253	224450	Spring - Governor Link (1/4" I.D.)
28	299743	Ring Set - Piston - Std. Chrome	254	224450	Spring - Governor Link (1/4" I.D.)
29	391670	Ring Set - Piston - .010" O.S.	255	224450	Spring - Governor Link (1/4" I.D.)
30	391671	Ring Set - Piston - .020" O.S.	256	224450	Spring - Governor Link (1/4" I.D.)
31	391672	Ring Set - Piston - .030" O.S.	257	224450	Spring - Governor Link (1/4" I.D.)
32	68546	Lock - Piston Pin	258	224450	Spring - Governor Link (1/4" I.D.)
33	295840	Pin Assembly - Piston - Standard	259	224450	Spring - Governor Link (1/4" I.D.)
34	295841	Pin Assembly - Piston - .005" O.S.	260	224450	Spring - Governor Link (1/4" I.D.)
35	390402	Rod Assy. - Connecting	261	224450	Spring - Governor Link (1/4" I.D.)
36	222114	Lock - Connecting Rod Screw	262	224450	Spring - Governor Link (1/4" I.D.)
37	83059	Screw - Connecting Rod	263	224450	Spring - Governor Link (1/4" I.D.)
38	390419	Valve - Exhaust	264	224450	Spring - Governor Link (1/4" I.D.)
39	291055	Valve - Intake	265	224450	Spring - Governor Link (1/4" I.D.)
40	65906	Spring - Intake Valve	266	224450	Spring - Governor Link (1/4" I.D.)
41	29828	Spring - Exhaust Valve	267	224450	Spring - Governor Link (1/4" I.D.)
42	21558	Retainer - Intake Valve	268	224450	Spring - Governor Link (1/4" I.D.)
43	292260	Retainer - Exhaust Valve	269	224450	Spring - Governor Link (1/4" I.D.)
44	93630	Retainer - Exhaust Valve Retainer	270	224450	Spring - Governor Link (1/4" I.D.)
45	293933	Tappet - Valve	271	224450	Spring - Governor Link (1/4" I.D.)
46	211689	Gear - Cam	272	224450	Spring - Governor Link (1/4" I.D.)
47	53342	Screw - Sems	273	224450	Spring - Governor Link (1/4" I.D.)
48	228865	Washer - Spring	274	224450	Spring - Governor Link (1/4" I.D.)
49	93808	Screw - Sem	275	224450	Spring - Governor Link (1/4" I.D.)
50	221760	Guide - Air	276	224450	Spring - Governor Link (1/4" I.D.)
51	290911	Link - Governor	277	224450	Spring - Governor Link (1/4" I.D.)
52	291308	Springs - Governor	278	224450	Spring - Governor Link (1/4" I.D.)
53	392718	Oil Slinger - Gov. Gear and Bracket Assembly	279	224450	Spring - Governor Link (1/4" I.D.)
54	390662	Plate - Gov. Control	280	224450	Spring - Governor Link (1/4" I.D.)
55	231058	Crank - Gov. (1/4" Dia.)	281	224450	Spring - Governor Link (1/4" I.D.)

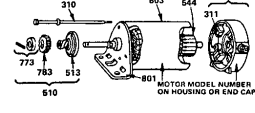
REPAIR PARTS

36" RIDING LAWN TRACTOR—MODEL NUMBER L8218BR
BRIGGS & STRATTON 8 H.P. ENGINE—MODEL NO. 191707, TYPE NO. 5627-01
AIR CLEANER, CARBURETOR AND FLYWHEEL GROUP



KEY NO.	PART NO.	DESCRIPTION	KEY NO.	PART NO.	DESCRIPTION
10	93294	Screw - Serr	216	291117	Link Choke
23	381983	Flywheel and Ring Gear As'y. - Magneto	229	220680	Washer, Flat
52	210824	Gasket - Carburetor Mounting	309	392749	Motor and Drive As'y. (See Break-down of Parts Below)
83	24108	Bushing - Throttle Shaft	423	93410	Screw - Serr
89	294081	Valve Assembly - Carburetor Idle	414	381532	Stator - Alternator
95	53499	Screw - Throttle and Choke Valve Mfg.	481	238970	Bushing - Stator
88	91920	Screw - Machine Fill, Hd. 8 - 32 x 5/8"	462	38621	Screw - Serr
99	26157	Spring - Throttle Adjustment	485	381988	Knob As'y. - Fuse
101	83043	Pin - Throttle Stop	468	381507	Diode - Alternator
104	220896	Pin - Float Hinge	488	222211	Bracket - Output
108	227010	Valve Choke	534	38622	Screw - Air Cleaner
118	361233	Valve Needle	534A	32323	Screw - Air Cleaner
121	298852	Carburetor Overhaul Kit	536	270528	Element - Air Cleaner
125	930511	Screw - Carburetor Mtg.	538	381399	Cleaner Assembly - Air
126	299851	Carburetor Assembly	537	270539	Support - Air Cleaner Element (Plastic)
127	221957	Body Assembly - Carburetor	601	44053	Gasket - Fuel Pipe
128	211682	Pin - Wrench	618	261116	Clamp - Fuel Pipe
130	221958	Venturi - Carburetor	629	220282	Spring - Choke Return
131	381512	Valve - Throttle	662	220282	Washer - Choke Shaft
132	211711	Shaft and Lever - Throttle	663	220277	Bracket - Carburetor
133	285707	Stop - Throttle	725	391134	Screw
134	259096	Float - Carburetor	727	390233	Gear - Ring
136	221995	Float - Bowl	728	390657	Cover and Shield - Starter
137	270511	Gasket - Float Bowl	844	261289	Screw - Serr
141	220214	Washer - Float Bowl	814	390667	Electric Starter Kit - 12 Volt (Gear Drive)
142	390954	Shaft and Lever - Choke	844	261289	Wire - Assembly - 7 Amp. Alternator
147	285740	Washer - Carburetor			Spring - Diode
148	225872	Nozzle - Carburetor			
189	67218	Connector - Fuel Pipe			
190	256004	Pipe - Fuel			

STARTER MOTOR GROUP

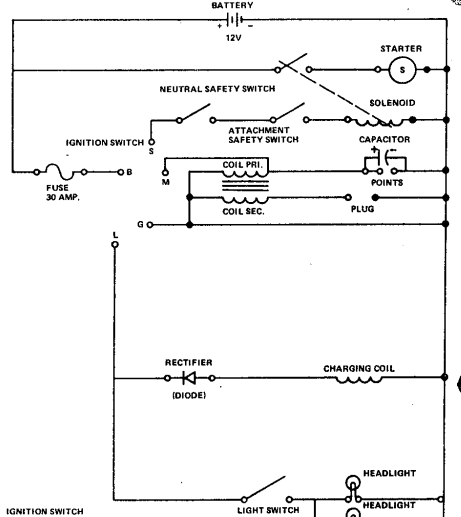


KEY NO.	PART NO.	DESCRIPTION
310	391706	Thru Bolt, As'y.
311	381705	Brush As'y.
510	391461	Drive As'y.
511	387747	Armature As'y.
801	381705	End Cap As'y., Drive
802	390846	End Cap As'y., Commutator
803	382744	Housing As'y.

*Includes Brush Set
*Includes No. 391135 Clutch As'y. (Key No. 513)
*Includes No. 280104 Gear (Key No. 783)
*Includes No. 391462 Retainer and Pin (Key No. 773)

REPAIR PARTS

36" RIDING LAWN TRACTOR—MODEL NUMBER L8218BR
SCHEMATIC DIAGRAM



IGNITION SWITCH	
POSITION	CIRCUIT
OFF	M-G
ON	B-L
START	B-S

REPAIR PARTS

36" RIDING LAWN TRACTOR—MODEL NUMBER L8218BR
ELECTRIC & ENGINE



REPAIR PARTS

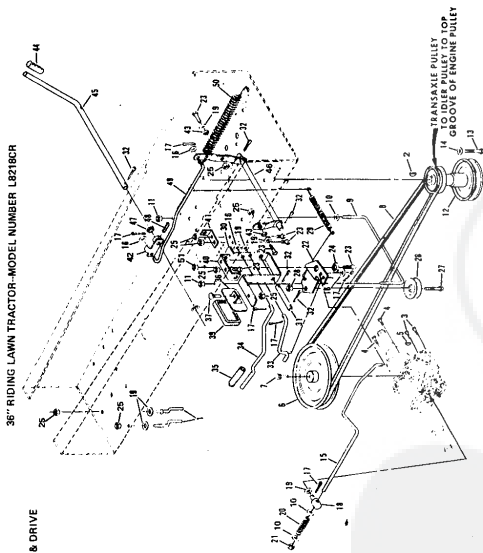
36" RIDING LAWN TRACTOR—MODEL NUMBER L8218BR
ELECTRIC & ENGINE

KEY NO.	PART NO.	DESCRIPTION
1	3228P	Screw, Machine Trust Head No. 10 - 24 x 1
2	645/R	Headlight Support
3	7302S	Headlight
4	561P	Washer, Flat No. 10 - 24 UNC
5	561P	Nut, K&N No. 10 - 24 UNC
6	7125S	Safe Assembly
7	7125S	Screw, Machine Phillips Head No. 10 - 24 UNC
8	3359P	Wire Harness
9	1795L	Wire Harness
10	7522A	Terminal Switch (Inc. Ref. No. 12)
11	225J	Terminal Switch (Inc. Ref. No. 12)
12	7522A	Terminal Switch (Inc. Ref. No. 12)
13	225J	Terminal Switch (Inc. Ref. No. 12)
14	7125A/R	Terminal Switch (Inc. Ref. No. 12)
15	7125A/R	Terminal Switch (Inc. Ref. No. 12)
16	7125A/R	Terminal Switch (Inc. Ref. No. 12)
17	578P	Nut, Lock No. 10 - 24 UNC
18	1063P	Washer, Lock No. 10 - 24 UNC
19	1063P	Washer, Lock No. 10 - 24 UNC
20	1063P	Washer, Lock No. 10 - 24 UNC
21	6718P	Battery
22	6718P	Battery
23	1505S	Wing Nut 1/4" - 20 x 1/8 Ga.
24	1505S	Wing Nut 1/4" - 20 x 1/8 Ga.
25	577P	Washer, Lock No. 10 - 24 UNC
26	2321R	Insulated Clip

*STANDARD HARDWARE—PURCHASE LOCALLY
OPTIONAL EQUIPMENT
1A89.11 Spark Arrestor

REPAIR PARTS

CLUTCH-BRAKE & DRIVE



36" RIDING LAWN TRACTOR—MODEL NUMBER L8218CR

REPAIR PARTS

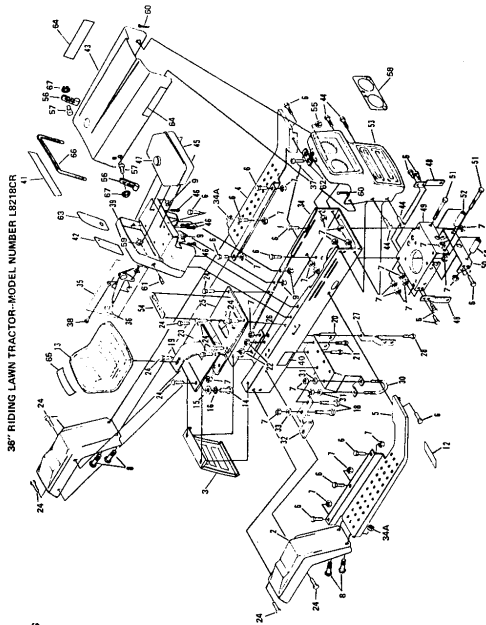
CLUTCH-BRAKE & DRIVE

REF. PART NO.	DESCRIPTION	REF. PART NO.	DESCRIPTION
1	71200 Bolt Guide	23	3010P Bolt, Hex Head 5/16 - 18 x 3.4
2	69053 Key, Woodruff No. 6	24	71202 Bushing 5/16 - 18 x 3.4
3	69059 Spring, 18 x 1.78	25	71202 Pulley, 18 x 1.78
4	69059 Spring, 18 x 1.78	26	67400 Pulley, 18 x 1.78
5	57859 Key, Woodruff No. E1	27	5799P Nut, Lock 1/8 - 18 UNC
6	69059 Spring, 18 x 1.78	28	2044J Spring, Idler
7	69059 Spring, 18 x 1.78	29	71223 Pin, Cotter 1/8 x 1
8	72794 Mid-Belt Guide	30	71223 Pin, Cotter 1/8 x 1
9	71241 Brake Rod	31	71223 Pin, Cotter 1/8 x 1
10	5454P Spring, 18 x 1.78	32	74419 Clutch Fork
11	5454P Spring, 18 x 1.78	33	3733 Park Brake Rod
12	69239 Spring, 18 x 1.78	34	3733 Park Brake Rod
13	69239 Spring, 18 x 1.78	35	71222 Foot Plate
14	1010P Spring, 18 x 1.78	36	71222 Foot Plate
15	73792 Brake Rod	37	67355 Foot Plate
16	73792 Brake Rod	38	71199 Foot Plate
17	25039 Spring, 18 x 1.78	39	71199 Foot Plate
18	15258 Spring, 18 x 1.78	40	71199 Foot Plate
19	71239 Spring, 18 x 1.78	41	71199 Foot Plate
20	71239 Spring, 18 x 1.78	42	71199 Foot Plate
21	71201 U-Block	43	71199 Foot Plate
22	71201 U-Block	44	71199 Foot Plate

*STANDARD HARDWARE—PURCHASE LOCALLY

REPAIR PARTS

CHASSIS



36" RIDING LAWN TRACTOR—MODEL NUMBER L8218CR

REPAIR PARTS

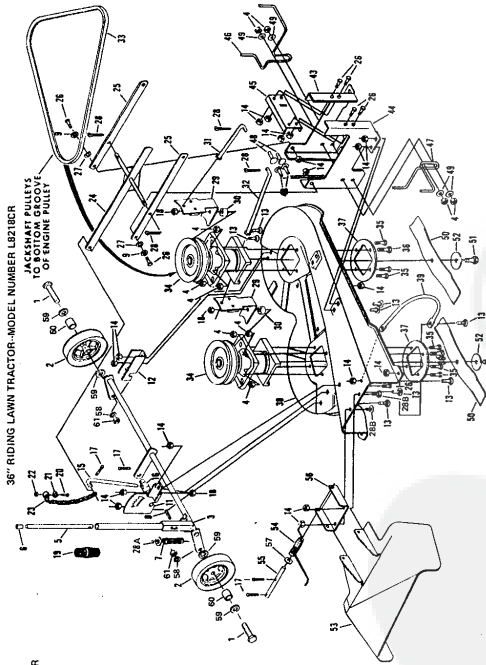
CHASSIS

REF. PART NO.	DESCRIPTION	REF. PART NO.	DESCRIPTION
1	3884 Feder, L.H.	35	1564J Remco Control Arm, R/C
2	3884 Feder, R.H.	36	6122J Nut, Lock 1/8 - 18 UNC
3	1135J Foot Rest, L.H.	37	6122J Nut, Lock 1/8 - 18 UNC
4	1135J Foot Rest, R.H.	38	6905P Screw, Hex Washer Hd. Thk. Cutting 1/4 - 20 x 1/2
5	1460J Foot Rest, R.H. 5/16 - 18 x 3/4	39	6905P Screw, Hex Washer Hd. Thk. Cutting 1/4 - 20 x 1/2
6	5798 Nut, Lock 5/16 - 18 UNC	40	75078 Drift, 3/8"
7	5798 Nut, Lock 5/16 - 18 UNC	41	1135J Drift, 3/8"
8	5798 Nut, Lock 5/16 - 18 UNC	42	1135J Drift, 3/8"
9	5798 Nut, Lock 5/16 - 18 UNC	43	6776J2 Hood Assy, Washer Hd.
10	5798 Nut, Lock 5/16 - 18 UNC	44	3884P Hood Assy, Washer Hd.
11	5798 Nut, Lock 5/16 - 18 UNC	45	72777 Seat, 16" x 14" x 14" G. 5
12	1135J Drift, 3/8"	46	72777 Seat, 16" x 14" x 14" G. 5
13	1135J Drift, 3/8"	47	74145 Fuel Cap
14	3302P Bolt, Hex Head 1/2 - 13 x 1 1/2	48	1885J Fuel Cap Bracket
15	3302P Bolt, Hex Head 1/2 - 13 x 1 1/2	49	1885J Fuel Cap Bracket
16	1000P Washer, Lock 1/2 - 13 x 1 1/2	50	2711P Fuel Cap Bracket
17	1000P Washer, Lock 1/2 - 13 x 1 1/2	51	2711P Fuel Cap Bracket
18	2019P Transaxle Support	52	14423 Bushing
19	2019P Transaxle Support	53	14423 Bushing
20	2019P Transaxle Support	54	74397 Battery Cap
21	2019P Transaxle Support	55	74397 Battery Cap
22	5454P Spring, 18 x 1.78	56	3884P Hood Assy, Washer Hd.
23	5454P Spring, 18 x 1.78	57	3884P Hood Assy, Washer Hd.
24	5454P Spring, 18 x 1.78	58	6924 Screw, Phillips P.H. Engine
25	6776J2 Hood Assy, Washer Hd.	59	6924 Screw, Phillips P.H. Engine
26	71597 Spring, 18 x 1.78	60	7205P Center Pin 272 x 3/4
27	71597 Spring, 18 x 1.78	61	7205P Center Pin 272 x 3/4
28	71597 Spring, 18 x 1.78	62	7205P Center Pin 272 x 3/4
29	71597 Spring, 18 x 1.78	63	1135J Drift, 3/8"
30	71597 Spring, 18 x 1.78	64	1135J Drift, 3/8"
31	71597 Spring, 18 x 1.78	65	244J Drift, 3/8"
32	71597 Spring, 18 x 1.78	66	244J Drift, 3/8"
33	1320U Chest	67	2022J Wood Strip
34	585P Nut, Key Jam 5/16 - 18 UNC		

*STANDARD HARDWARE—PURCHASE LOCALLY

REPAIR PARTS

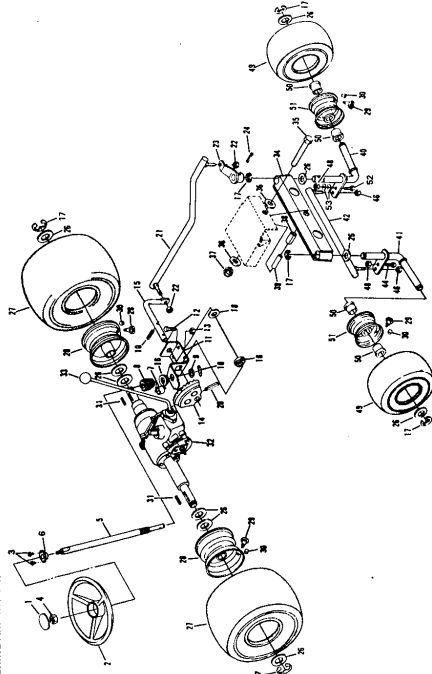
MOWER



36" RIDING LAWN TRACTOR—MODEL NUMBER L821BCR

REPAIR PARTS

STEERING AND WHEELS



36" RIDING LAWN TRACTOR—MODEL NUMBER L821BCR

REPAIR PARTS

MOWER

REF. NO.	PART NO.	DESCRIPTION
1	3199P	Hex Bolt 3/8 x 2 1/4 x 3/4 Gr. 5
2	67284	Clutch Wheel Assembly
3	545P	Nut, Lock 3/8 - 16 UNC
4	9479R	Cap Lever Plunger
5	8565R	Spring
6	8565R	Spring
7	1599P	Washer, 1.022 x 3/4 x 16 Ga.
8	71300	Bolt, Carriage 5/16 - 18 x 3/4 Gr. 5
9	67237	Adjustment Rod
10	576P	Locknut Washer 3/8 - 16 UNC
11	2503P	"Cover Pin 3/32 x 3/4
12	17172	"Screw, Pan Hd. Machine 1/4 - 20 x 1
13	3224P	"Screw, Pan Hd. Machine 1/4 - 20 x 1
14	29514	Pin, Chain
15	71337	Pin, Link
16	71337	Pin, Link
17	71815	Pin, Link
18	1615P	Shaker
19	1615P	Shaker
20	1615P	Shaker
21	1615P	Shaker
22	1615P	Shaker
23	1615P	Shaker
24	1615P	Shaker
25	1615P	Shaker
26	1615P	Shaker
27	1615P	Shaker
28	1615P	Shaker
29	1615P	Shaker
30	1615P	Shaker
31	1615P	Shaker
32	1615P	Shaker
33	1615P	Shaker
34	1615P	Shaker
35	1615P	Shaker
36	1615P	Shaker
37	1615P	Shaker
38	1615P	Shaker
39	1615P	Shaker
40	1615P	Shaker
41	1615P	Shaker
42	1615P	Shaker
43	1615P	Shaker
44	1615P	Shaker
45	1615P	Shaker
46	1615P	Shaker
47	1615P	Shaker
48	1615P	Shaker
49	1615P	Shaker
50	1615P	Shaker
51	1615P	Shaker
52	1615P	Shaker
53	1615P	Shaker
54	1615P	Shaker
55	1615P	Shaker
56	1615P	Shaker
57	1615P	Shaker
58	1615P	Shaker
59	1615P	Shaker
60	1615P	Shaker
61	1615P	Shaker
62	1615P	Shaker
63	1615P	Shaker
64	1615P	Shaker
65	1615P	Shaker
66	1615P	Shaker
67	1615P	Shaker
68	1615P	Shaker
69	1615P	Shaker
70	1615P	Shaker
71	1615P	Shaker
72	1615P	Shaker
73	1615P	Shaker
74	1615P	Shaker
75	1615P	Shaker
76	1615P	Shaker
77	1615P	Shaker
78	1615P	Shaker
79	1615P	Shaker
80	1615P	Shaker
81	1615P	Shaker
82	1615P	Shaker
83	1615P	Shaker
84	1615P	Shaker
85	1615P	Shaker
86	1615P	Shaker
87	1615P	Shaker
88	1615P	Shaker
89	1615P	Shaker
90	1615P	Shaker
91	1615P	Shaker
92	1615P	Shaker
93	1615P	Shaker
94	1615P	Shaker
95	1615P	Shaker
96	1615P	Shaker
97	1615P	Shaker
98	1615P	Shaker
99	1615P	Shaker
100	1615P	Shaker

REPAIR PARTS

STEERING AND WHEELS

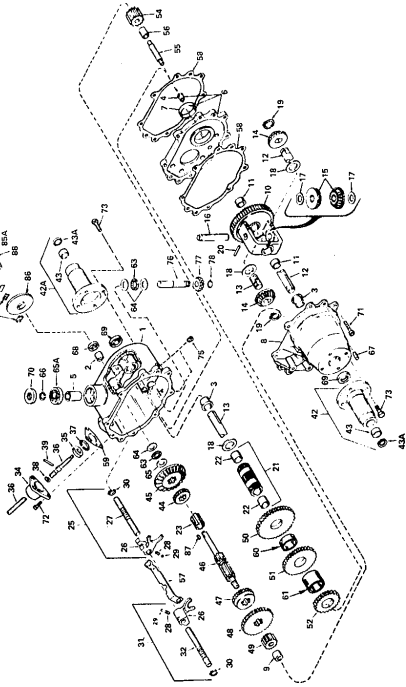
REF. NO.	PART NO.	DESCRIPTION
1	1114J	Steering Wheel Inset
2	561P	Steering Wheel
3	561P	Steering Wheel
4	561P	Steering Wheel
5	1599J	Nut, Lock 1/2 - 20 UNF
6	1599J	Nut, Lock 1/2 - 20 UNF
7	1599J	Nut, Lock 1/2 - 20 UNF
8	1599J	Nut, Lock 1/2 - 20 UNF
9	1599J	Nut, Lock 1/2 - 20 UNF
10	1599J	Nut, Lock 1/2 - 20 UNF
11	1599J	Nut, Lock 1/2 - 20 UNF
12	1599J	Nut, Lock 1/2 - 20 UNF
13	1599J	Nut, Lock 1/2 - 20 UNF
14	1599J	Nut, Lock 1/2 - 20 UNF
15	1599J	Nut, Lock 1/2 - 20 UNF
16	1599J	Nut, Lock 1/2 - 20 UNF
17	1599J	Nut, Lock 1/2 - 20 UNF
18	1599J	Nut, Lock 1/2 - 20 UNF
19	1599J	Nut, Lock 1/2 - 20 UNF
20	1599J	Nut, Lock 1/2 - 20 UNF
21	1599J	Nut, Lock 1/2 - 20 UNF
22	1599J	Nut, Lock 1/2 - 20 UNF
23	1599J	Nut, Lock 1/2 - 20 UNF
24	1599J	Nut, Lock 1/2 - 20 UNF
25	1599J	Nut, Lock 1/2 - 20 UNF
26	1599J	Nut, Lock 1/2 - 20 UNF
27	1599J	Nut, Lock 1/2 - 20 UNF
28	1599J	Nut, Lock 1/2 - 20 UNF
29	1599J	Nut, Lock 1/2 - 20 UNF
30	1599J	Nut, Lock 1/2 - 20 UNF
31	1599J	Nut, Lock 1/2 - 20 UNF
32	1599J	Nut, Lock 1/2 - 20 UNF
33	1599J	Nut, Lock 1/2 - 20 UNF
34	1599J	Nut, Lock 1/2 - 20 UNF
35	1599J	Nut, Lock 1/2 - 20 UNF
36	1599J	Nut, Lock 1/2 - 20 UNF
37	1599J	Nut, Lock 1/2 - 20 UNF
38	1599J	Nut, Lock 1/2 - 20 UNF
39	1599J	Nut, Lock 1/2 - 20 UNF
40	1599J	Nut, Lock 1/2 - 20 UNF
41	1599J	Nut, Lock 1/2 - 20 UNF
42	1599J	Nut, Lock 1/2 - 20 UNF
43	1599J	Nut, Lock 1/2 - 20 UNF
44	1599J	Nut, Lock 1/2 - 20 UNF
45	1599J	Nut, Lock 1/2 - 20 UNF
46	1599J	Nut, Lock 1/2 - 20 UNF
47	1599J	Nut, Lock 1/2 - 20 UNF
48	1599J	Nut, Lock 1/2 - 20 UNF
49	1599J	Nut, Lock 1/2 - 20 UNF
50	1599J	Nut, Lock 1/2 - 20 UNF
51	1599J	Nut, Lock 1/2 - 20 UNF
52	1599J	Nut, Lock 1/2 - 20 UNF
53	1599J	Nut, Lock 1/2 - 20 UNF
54	1599J	Nut, Lock 1/2 - 20 UNF
55	1599J	Nut, Lock 1/2 - 20 UNF
56	1599J	Nut, Lock 1/2 - 20 UNF
57	1599J	Nut, Lock 1/2 - 20 UNF
58	1599J	Nut, Lock 1/2 - 20 UNF
59	1599J	Nut, Lock 1/2 - 20 UNF
60	1599J	Nut, Lock 1/2 - 20 UNF
61	1599J	Nut, Lock 1/2 - 20 UNF
62	1599J	Nut, Lock 1/2 - 20 UNF
63	1599J	Nut, Lock 1/2 - 20 UNF
64	1599J	Nut, Lock 1/2 - 20 UNF
65	1599J	Nut, Lock 1/2 - 20 UNF
66	1599J	Nut, Lock 1/2 - 20 UNF
67	1599J	Nut, Lock 1/2 - 20 UNF
68	1599J	Nut, Lock 1/2 - 20 UNF
69	1599J	Nut, Lock 1/2 - 20 UNF
70	1599J	Nut, Lock 1/2 - 20 UNF
71	1599J	Nut, Lock 1/2 - 20 UNF
72	1599J	Nut, Lock 1/2 - 20 UNF
73	1599J	Nut, Lock 1/2 - 20 UNF
74	1599J	Nut, Lock 1/2 - 20 UNF
75	1599J	Nut, Lock 1/2 - 20 UNF
76	1599J	Nut, Lock 1/2 - 20 UNF
77	1599J	Nut, Lock 1/2 - 20 UNF
78	1599J	Nut, Lock 1/2 - 20 UNF
79	1599J	Nut, Lock 1/2 - 20 UNF
80	1599J	Nut, Lock 1/2 - 20 UNF
81	1599J	Nut, Lock 1/2 - 20 UNF
82	1599J	Nut, Lock 1/2 - 20 UNF
83	1599J	Nut, Lock 1/2 - 20 UNF
84	1599J	Nut, Lock 1/2 - 20 UNF
85	1599J	Nut, Lock 1/2 - 20 UNF
86	1599J	Nut, Lock 1/2 - 20 UNF
87	1599J	Nut, Lock 1/2 - 20 UNF
88	1599J	Nut, Lock 1/2 - 20 UNF
89	1599J	Nut, Lock 1/2 - 20 UNF
90	1599J	Nut, Lock 1/2 - 20 UNF
91	1599J	Nut, Lock 1/2 - 20 UNF
92	1599J	Nut, Lock 1/2 - 20 UNF
93	1599J	Nut, Lock 1/2 - 20 UNF
94	1599J	Nut, Lock 1/2 - 20 UNF
95	1599J	Nut, Lock 1/2 - 20 UNF
96	1599J	Nut, Lock 1/2 - 20 UNF
97	1599J	Nut, Lock 1/2 - 20 UNF
98	1599J	Nut, Lock 1/2 - 20 UNF
99	1599J	Nut, Lock 1/2 - 20 UNF
100	1599J	Nut, Lock 1/2 - 20 UNF

*STANDARD HARDWARE-PURCHASE LOCALLY

REPAIR PARTS

36" RIDING LAWN TRACTOR-MODEL NUMBER L821BCR
TRANSAKLE NO. 794191A-MODEL NUMBER 143.658A

ALL TRANSAKLE PARTS MUST
BE PURCHASED THROUGH AN
AUTHORIZED BRIGGS & STRATTON
LOCAL TECHNICAL DEALER.



REPAIR PARTS

36" RIDING LAWN TRACTOR-MODEL NUMBER L821BCR
TRANSAKLE NO. 794191A-MODEL NUMBER 143.658A

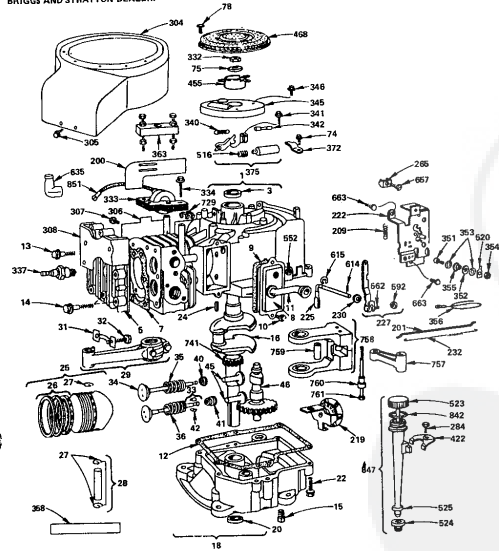
KEY NO.	PART NO.	DESCRIPTION	KEY NO.	PART NO.	DESCRIPTION
1	710217A	Complete Transaxle (inc. No. 2, 3 & 8)	46	710217A	Shaft, Input (3.0 Term)
2	710217B	Complete Transaxle (inc. No. 2, 3 & 8)	47	710217B	Shaft, Output (3.0 Term)
3	710217C	Complete Transaxle (inc. No. 2, 3 & 8)	48	710217C	Shaft, Intermediate (3.0 Term)
4	710217D	Complete Transaxle (inc. No. 2, 3 & 8)	49	710217D	Shaft, Output (3.0 Term)
5	710217E	Complete Transaxle (inc. No. 2, 3 & 8)	50	710217E	Shaft, Intermediate (3.0 Term)
6	710217F	Complete Transaxle (inc. No. 2, 3 & 8)	51	710217F	Shaft, Output (3.0 Term)
7	710217G	Complete Transaxle (inc. No. 2, 3 & 8)	52	710217G	Shaft, Intermediate (3.0 Term)
8	710217H	Complete Transaxle (inc. No. 2, 3 & 8)	53	710217H	Shaft, Output (3.0 Term)
9	710217I	Complete Transaxle (inc. No. 2, 3 & 8)	54	710217I	Shaft, Intermediate (3.0 Term)
10	710217J	Complete Transaxle (inc. No. 2, 3 & 8)	55	710217J	Shaft, Output (3.0 Term)
11	710217K	Complete Transaxle (inc. No. 2, 3 & 8)	56	710217K	Shaft, Intermediate (3.0 Term)
12	710217L	Complete Transaxle (inc. No. 2, 3 & 8)	57	710217L	Shaft, Output (3.0 Term)
13	710217M	Complete Transaxle (inc. No. 2, 3 & 8)	58	710217M	Shaft, Intermediate (3.0 Term)
14	710217N	Complete Transaxle (inc. No. 2, 3 & 8)	59	710217N	Shaft, Output (3.0 Term)
15	710217O	Complete Transaxle (inc. No. 2, 3 & 8)	60	710217O	Shaft, Intermediate (3.0 Term)
16	710217P	Complete Transaxle (inc. No. 2, 3 & 8)	61	710217P	Shaft, Output (3.0 Term)
17	710217Q	Complete Transaxle (inc. No. 2, 3 & 8)	62	710217Q	Shaft, Intermediate (3.0 Term)
18	710217R	Complete Transaxle (inc. No. 2, 3 & 8)	63	710217R	Shaft, Output (3.0 Term)
19	710217S	Complete Transaxle (inc. No. 2, 3 & 8)	64	710217S	Shaft, Intermediate (3.0 Term)
20	710217T	Complete Transaxle (inc. No. 2, 3 & 8)	65	710217T	Shaft, Output (3.0 Term)
21	710217U	Complete Transaxle (inc. No. 2, 3 & 8)	66	710217U	Shaft, Intermediate (3.0 Term)
22	710217V	Complete Transaxle (inc. No. 2, 3 & 8)	67	710217V	Shaft, Output (3.0 Term)
23	710217W	Complete Transaxle (inc. No. 2, 3 & 8)	68	710217W	Shaft, Intermediate (3.0 Term)
24	710217X	Complete Transaxle (inc. No. 2, 3 & 8)	69	710217X	Shaft, Output (3.0 Term)
25	710217Y	Complete Transaxle (inc. No. 2, 3 & 8)	70	710217Y	Shaft, Intermediate (3.0 Term)
26	710217Z	Complete Transaxle (inc. No. 2, 3 & 8)	71	710217Z	Shaft, Output (3.0 Term)
27	710217AA	Complete Transaxle (inc. No. 2, 3 & 8)	72	710217AA	Shaft, Intermediate (3.0 Term)
28	710217AB	Complete Transaxle (inc. No. 2, 3 & 8)	73	710217AB	Shaft, Output (3.0 Term)
29	710217AC	Complete Transaxle (inc. No. 2, 3 & 8)	74	710217AC	Shaft, Intermediate (3.0 Term)
30	710217AD	Complete Transaxle (inc. No. 2, 3 & 8)	75	710217AD	Shaft, Output (3.0 Term)
31	710217AE	Complete Transaxle (inc. No. 2, 3 & 8)	76	710217AE	Shaft, Intermediate (3.0 Term)
32	710217AF	Complete Transaxle (inc. No. 2, 3 & 8)	77	710217AF	Shaft, Output (3.0 Term)
33	710217AG	Complete Transaxle (inc. No. 2, 3 & 8)	78	710217AG	Shaft, Intermediate (3.0 Term)
34	710217AH	Complete Transaxle (inc. No. 2, 3 & 8)	79	710217AH	Shaft, Output (3.0 Term)
35	710217AI	Complete Transaxle (inc. No. 2, 3 & 8)	80	710217AI	Shaft, Intermediate (3.0 Term)
36	710217AJ	Complete Transaxle (inc. No. 2, 3 & 8)	81	710217AJ	Shaft, Output (3.0 Term)
37	710217AK	Complete Transaxle (inc. No. 2, 3 & 8)	82	710217AK	Shaft, Intermediate (3.0 Term)
38	710217AL	Complete Transaxle (inc. No. 2, 3 & 8)	83	710217AL	Shaft, Output (3.0 Term)
39	710217AM	Complete Transaxle (inc. No. 2, 3 & 8)	84	710217AM	Shaft, Intermediate (3.0 Term)
40	710217AN	Complete Transaxle (inc. No. 2, 3 & 8)	85	710217AN	Shaft, Output (3.0 Term)
41	710217AO	Complete Transaxle (inc. No. 2, 3 & 8)	86	710217AO	Shaft, Intermediate (3.0 Term)
42	710217AP	Complete Transaxle (inc. No. 2, 3 & 8)	87	710217AP	Shaft, Output (3.0 Term)
43	710217AQ	Complete Transaxle (inc. No. 2, 3 & 8)	88	710217AQ	Shaft, Intermediate (3.0 Term)
44	710217AR	Complete Transaxle (inc. No. 2, 3 & 8)	89	710217AR	Shaft, Output (3.0 Term)
45	710217AS	Complete Transaxle (inc. No. 2, 3 & 8)	90	710217AS	Shaft, Intermediate (3.0 Term)

REPAIR PARTS

36" RIDING LAWN TRACTOR-MODEL NUMBER L821BCR
BRIGGS & STRATTON 8 H.P. ENGINE-MODEL NO. 191707, TYPE NO. 5627-01

CYLINDER, CRANKSHAFT AND ENGINE BASE GROUP

ALL ENGINE PARTS MUST BE PURCHASED THROUGH AND SERVICE PERFORMED BY YOUR LOCAL BRIGGS & STRATTON DEALER.



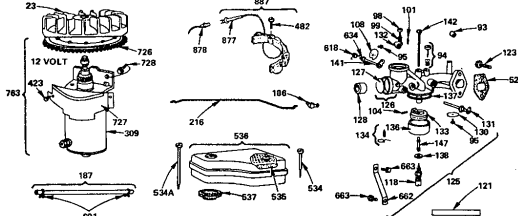
REPAIR PARTS

36" RIDING LAWN TRACTOR-MODEL NUMBER L821BCR
BRIGGS & STRATTON 8 H.P. ENGINE-MODEL NO. 191707, TYPE NO. 5627-01

KEY NO.	PART NO.	DESCRIPTION	KEY NO.	PART NO.	DESCRIPTION
1	392005	Cylinder Assembly (Inc. Key No. 3)	227	391733	Lever Assy. - Governor (For 1/4" Dia. Crank)
2	284609	Bushing - Cylinder	230	222450	Washer - Gov. Lever (1/4" I.D.)
3	212288	Seal - Oil	232	260584	Spring - Governor Link
4	212288	Head - Cylinder	233	221539	Clamp - Casing
5	212288	Gasket - Cylinder	234	83804	Screw - Clamp Mtg.
6	391406	Breather Tube Assembly	235	391379	Housing - Blower
7	219031	Gasket - Valve Cover	236	31568	Screw - Blower Housing Mounting Sem
8	93539	Screw - Sem	237	222830	Shield - Cylinder
9	280095	Tube - Breather	238	83163	Screw - Cylinder Shield Mtg. Sem
10	217550	*Gasket - Crankcase Cover - 1/64" Thick	239	222830	Cover - Cylinder Head
11	217550	*Gasket - Crankcase Cover - .005" Thick	240	82284	Nut, Flywheel
12	217550	*Gasket - Crankcase Cover - .009" Thick	241	298983	Armature Assembly
13	93211	Screw - Cylinder Head (2 - 21/32" Long)	242	93381	Screw, Armature Mounting Sem
14	93233	Screw - Cylinder Head (3" Long)	243	293918	Plug, Spark (1 - 1/2" High - 38 M.M. Resistor)
15	91786	Plug - Oil Drain	244	340	NOTE: Ignition Cable Terminal No. 221798
16	391757	Crankshaft	245	340	Spring - Breaker Arm
17	298316	Sump - Oil (Inc. Key No. 12 & 20)	246	93381	Screw - Breaker Arm Mounting Sem
18	298423	Seal - Oil	247	65704	Plunger - Breaker Point
19	93585	Screw - Sump	248	222117	Cover - Breaker Point
20	61750	Key - Flywheel	249	83705	Screw - Sem
21	391873	Piston Assy. - Std.	250	348	Washer - Terminal
22	391874	Piston Assy. - .010" O.S.	251	86068	Washer - Lock Shakespot
23	391875	Piston Assy. - .020" O.S.	252	92791	Nut - Hex 8 - 32
24	391876	Piston Assy. - .030" O.S.	253	90576	Collar - Insulating
25	391877	Ring Set - Piston - Std.	254	96554	Wire - Ground
26	299743	Ring Set - Piston - Std. Chrome	255	299577	Gasket Set
27	391878	Ring Set - Piston - .010" O.S.	256	19105	Filler - Flywheel
28	391879	Ring Set - Piston - .020" O.S.	257	220477	Clamp - Condenser
29	391880	Ring Set - Piston - .030" O.S.	258	294628	Bracket Points and Condenser Set
30	68546	Lock - Piston Pin	259	299900	NOTE: 299901 Ignition Kit Includes 294628 Point Set, 85704 Plunger, 61760 Key - Flywheel
31	295849	Pin Assembly - Piston - Standard	260	222526	Clamp - Oil Filter Tube
32	295849	Pin Assembly - Piston - .005" O.S.	261	222561	Cup - Screen Mounting
33	390402	Rod Assy. - Connecting	262	518	Screw - Flush Rotating
34	222114	Lock - Connecting Rod with .020" Undersize Crankpin Bore - Order No. 390773	263	260374	Spring - Connector
35	92959	Screw - Connecting Rod	264	88838	Seal - Filler Tube
36	390419	Valve - Exhaust	265	83772	Tube - Oil Filter
37	291065	Valve - Intake	266	391403	Cap and Dipstick - Oil Filter
38	65906	Spring - Intake Valve	267	68838	Seal - Filler Tube
39	292200	Spring - Exhaust Valve	268	231055	Bushing - Gov. Crank (1/4" I.D.)
40	292200	Retainer - Exhaust Valve Rotocool	269	92613	Bob - Governor Lever
41	262933	Tappet - Valve	270	615	Cutter - Hair Pin
42	211689	Cam - Governor	271	93507	Retainer - E Ring
43	93042	Screw - Sems	272	605	Elbow - Spark Plug
44	220805	Washer - Spring	273	93436	Screw - Sem
45	93055	Screw - Sem	274	663	Screw
46	221700	Guide - Air	275	739	Clip - Wire
47	262071	Link - Governor	276	211807	Gear - Timing
48	261306	Screw - Governor	277	212759	Link - Counterweight
49	392718	Oil Slinger - Gov. Gear and Bracket Assembly	278	391172	Counterweight Assy.
50	390662	Plate - Gov. Control	279	298909	Pin - Counterweight
51	231058	Crank - Gov. (1/4" Dia.)	280	290940	Sprocket - Counterweight
			281	93874	Screw - Counterweight
			282	270520	Seal - Filter Can
			283	93266	Filler Group - Oil
			284	221798	Terminal - Ignition Cable
			285	851	*INCLUDED IN GASKET SET - PART NO. 299577

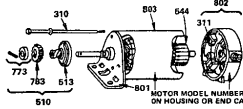
REPAIR PARTS

36" RIDING LAWN TRACTOR-MODEL NUMBER L8218CR
BRIGGS & STRATTON 8 H.P. ENGINE-MODEL NO. 191707, TYPE NO. 5627-01
AIR CLEANER, CARBURETOR AND FLYWHEEL GROUP



KEY NO.	PART NO.	DESCRIPTION	KEY NO.	PART NO.	DESCRIPTION
23	391983	Flywheel and Ring Gear Assy. - Magneto	218	281117	Link Choke
52	219924	Gasket - Carburetor Mounting	309	392749	Motor and Drive Assy. (See Break-down of Parts Below)
53	23108	Bushing - Throttle Shaft	423	93410	Screw - Sem
64	291681	Valve Assembly - Carburetor Idle			
66	83499	Screw - Throttle and Choke Valve Mtg. Sem	482	93621	Screw - Sem
68	81920	Screw - Machine Fill. Hd. 8-32 x 5/8"			
69	26157	Spring - Throttle Adjustment			
101	83043	Pin - Throttle Stop			
104	230696	*Pin - Float Hinge	534	93622	Screw - Air Cleaner
118	391233	*Valve Needle	534A	93323	Screw - Air Cleaner
121	298852	Carburetor Overhaul Kit	536	279528	Element - Air Cleaner
123	83357	Screw - Carburetor Mtg.	536	391399	Cleaner Assembly - Air
126	390811	Carburetor Assembly	601	53063	Support - Air Cleaner Element (Plastic)
126	298851	Body Assembly - Carburetor	637	270839	Gasket - Air Cleaner
127	221997	*Plug - Wadlet	637	33063	Clamp - Fuel Pipe
128	211862	Venturi - Carburetor	618	281118	Spring - Choke Return
130	221988	Valve - Throttle	634	210362	Washer - Choke Shaft
131	391512	Shaft and Lever - Throttle	662	222927	Bracket - Carburetor
132	211712	Stop - Throttle	663	93517	Screw
133	298707	Float - Carburetor	663	39134	Gear - Ring
134	298696	*Plug - Fuel Inlet	727	390233	Cover and Shield - Starter
136	221995	Bowl - Float	728	39023	Screw - Sem
137	218611	Gasket - Float Bowl	877	393814	Diode & Conn. Assembly
138	222014	*Washer - Float Bowl	878	393422	Alt. Harness Assembly
141	390664	Shaft and Lever - Choke	887	391529	Stator-Alternator
142	299140	Nozzle - Carburetor			
147	23282	*Screw - Nozzle			
186	87216	Connector - Fuel Pipe			
187	299004	Pipe - Fuel			

STARTER MOTOR GROUP

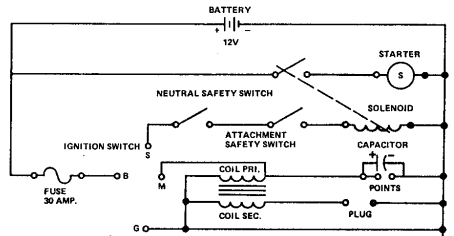


KEY NO.	PART NO.	DESCRIPTION
310	391709	Thru Bolt Assy.
311	391708	Brush Assy.
510	391481	*Drive Assy.
544	392747	Armature Assy.
801	391751	End Cap Assy. Drive
802	390846	End Cap Assy. Commutator
803	392744	Housing Assy.

* Includes Brush Set
* Includes No. 39135 Clutch Assy. (Key No. 513)
* Includes No. 890194 Gear (Key No. 783)
* Includes No. 391462 Retainer and Pin (Key No. 773)

REPAIR PARTS

36" RIDING LAWN TRACTOR-MODEL NUMBER L8218CR
SCHEMATIC DIAGRAM



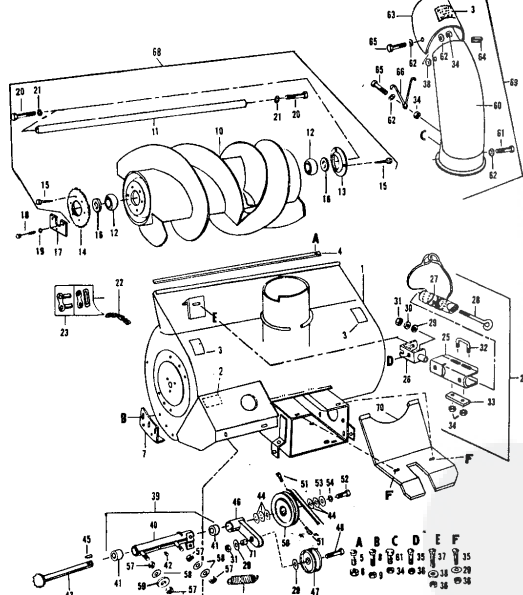
IGNITION SWITCH	
POSITION	CIRCUIT
OFF	M-G
ON	B-L
START	B-S

WIRING INSULATED CLIPS

If Insulated Clips were removed for servicing of unit, they should be replaced to properly secure your wiring. There are three Insulated Clips on your Tractor.

- L.H. side of Tractor for safety switch wires (Key No. 28, page 14).
- R.H. side of Tractor securing wire harness and cable wire (Key No. 31, page 14).
- Headlight wire (Key No. 26, page 14).

36" ROPER SNOW THROWER LAO49AR



E519 (10.1.78)

Order all replacement parts for this model snow thrower from HABAN MFG CO. 100 W. W. PARKWAY RACINE, WIS. 53407

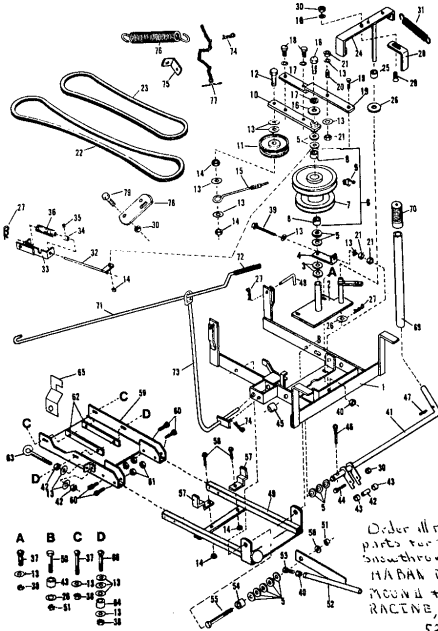
36" ROPER SNOW THROWER LAO49AR

Ref. No.	Part No.	Description	No. Req.	Ref. No.	Part No.	Description	No. Req.
1	11372	Assy-Header & Decal	1	38	4506	* Washer-13/32 x 1-1/2 x 16 ga.	3
2	9713	Decal	1	39	11378	Assy-Jackshaft hsg. & Bushings	1
3	9663	Decal-Warning	3	40	11379	Assy-Jackshaft hsg.	1
4	3013	Blade-Scraper	1	41	3034	Bushing	2
5	7090	* Bolt-1/4-20 x 5/8 carriage	7	42	5074	* Fitting-Grease	1
6	GM271178	* Nut & Lock washer 1/4-20 hex.	2	43	3143	Assy-Jackshaft & sprocket	1
7	3045	Shoe-Skid	7	44	3396	* Washer-49/64 x 1-1/2 x .058 flat	1
8	STD533107	* Bolt-5/16-18 x 3/4 carriage	6	45	STD580103	* Key-3/16 sq. x 1	1
9	GM271184	* Nut & Lock washer 5/16-18 hex.	6	46	11381	Assy-Idler Arm	1
10	9044	Assy-Auger	1	47	11496	Assy-Idler Pulley	1
11	8350	Shaft-Auger	1	48	STD 723725	* Bolt - 3/8-16 x 2-1/2 hex hd	1
12	9052	Bearing-Auger Shaft	2	50	1384	Assy-Pulley & Hub	1
13	5473	Flange-Bearing	1	51	GM-142671	* Screw-Set 5/16-18 x 1/2 sq hd cap pt	2
14	8287	Sprocket-Auger (35 tooth)	1	52	STD523707	* Bolt-3/8-16 x 3/4 hex hd	1
15	9131	* Screw-5/16-18 x 3/4 Self-tapping	9	53	G4446363	* Washer-3/8 x 7/8 x .063 flat	1
16	4143	* Washer-1-1/32 x 1-1/2 x 1/8 flat	2	54	STD551137	* Washer-3/8 med lock Spring	1
17	8185	Plate-Auger mounting	1	55	3059	Washer	1
18	STD523106	* Bolt-5/16-18 x 5/8 hex hd	3	57	STD541050	* Nut-1/2-13 hex	4
19	STD551131	Washer-5/16 med lock	2	58	GM120389	* Washer-1/2 x 1-1/4 x .063 flat	3
20	STD525012	* Bolt-1/2-13 x 1-1/4 hex hd	2	59	6979	Washer	1
21	STD551150	Washer-1/2 med lock	2	60	4957	Assy-Deflector & Elbow	2
22	3911	Chain-Auger Drive (70 links)	1	61	STD522510	* Bolt-1/4-20x1/2 hex hd	2
23	8456	Repair Kit for Chain Bracket	1	62	3903	Washer-Cable	6
24	9283	Assy-Stack Drive	1	63	9766	Assy-Deflect & Deflector	1
25	9030	Shroud-Stack Drive	1	64	6558	Molding-Deflector	1
26	9032	Assy-Brt. & Tube	1	65	STD522507	* Bolt-1/4-20 x 3/4 hex hd	3
27	8346	Assy-Cable, Tube & Sleeves	1	66	3076	Hook-Lift Spring	1
28	3955	Eye Bolt-Drive Tube	1	68	9043	Assy-Auger (16) Comp.	1
29	GM120388	* Washer-7/16 x 1 x .063 flat	5	69	6457	Elbow	1
30	4772	Spring-Washer	1	70	11420	Guard-Drive Pulley	1
31	STD541437	Nut-3/8-16 hex lock	2	71	5711	Spacer	1
32	8236	U-Bolt-Level Wind	1				
33	8399	Strap-Friction	1				
34	STD541425	* Nut-1/4-20 hex lock	6				
35	STD533707	* Bolt-3/8-16 x 3/4 carriage	3				
36	GM271190	* Nut & Lock Washer 3/8-16 hex	4				
37	STD533710	* Bolt-3/8-16 x 1 carriage	1				

E520 (10.1.78)

*standard hardware - purchased locally

36" ROPER SNOW THROWER LA049AR



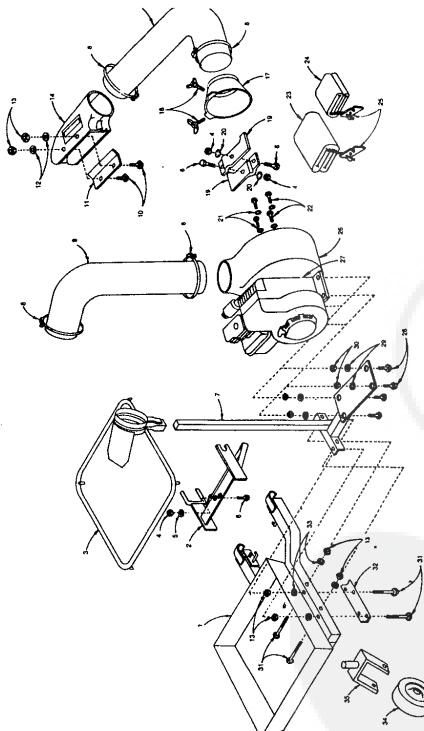
E521 (10.1.78)

36" ROPER SNOW THROWER LA049AR

Ref. No.	Part No.	Description	No. Req.	Ref. No.	Part No.	Description	No. Req.
1	11449	Assy - Mounting Frame (Upper)	1	41	7925	Assy - Lift Bar	1
2	11401	Assy - Pulley Mtg. Brkt.	1	42	3027	Spacer	1
3	STD551075	*Washer - 13/16 x 1-1/2 x .134 flat	1	43	1346	Spacer	1
4	11403	Bracket - 49/64 x 1-1/2	12	44	STD523120	Bolt - 5/16-18 x 2 hex	1
5	3396	*Washer - 49/64 x 1-1/2	12	45	6179	Spacer	1
6	9775	Assy - Pulley Hsg (comp)	1	46	GM120123	Pin - Cotter (1/8 x 1 1/2)	1
7	9776	Assy - Pulley Hsg.	1	47	STD551810	Pin - Locating	1
8	8689	Bearing - Needle	2	48	5736	Assy - Mounting Frame	1
9	5074	*Fitting - Grease	1	49	9778	Bolt - 1/2-13 x 1-1/2 hex hd	2
10	11404	Assy - Clutch Arm	1	50	STD525015	Nut - 1/2-13 hex lock	1
11	11496	Idler pulley	1	51	5736	Assy - Lift Bkt.	1
12	STD723725	*Bolt - 3/8-16 x 2-1/2 hex hd	1	52	9786	Bolt - 3/8-16 x 2 hex hd full thd	1
13	GM120388	*Washer - 7/16 x 1" x .083 flat	24	53	6441	Spacer	1
14	STD541437	*Nut - 3/8-16 hex lock	5	54	11285	Spacer	1
15	11486	Washer - Bolt Gauge	1	55	STD525020	Bolt - 1/2-13 x 2 hex	1
16	GM446363	*Washer - 3/8 x 7/8 x .083 flat	2	56	GM120389	*Washer - 1/2 x 1-1/4 x .083 flat	1
17	STD551137	*Washer - 3/8 med lock	3	57	11461	Stop - Position	2
18	STD523707	*Bolt - 3/8-16 x 3/4 hex hd	4	58	STD523710	Bolt - 3/8-16 x 1 hex	2
19	11407	Bracket - Clutch Lever	1	59	11417	Assy - Pivot Brkt.	1
20	11410	Stud - Brake Release	1	60	STD523117	Bolt - 5/16-18 x 1-3/4 hex hd	4
21	STD541237	*Nut - 3/8-16 hex jam	4	61	STD541431	*Nut - 5/16-18 hex lock	4
22	11361	V-belt	1	62	11418	Strap - Header Channel	2
23	11367	V-belt	1	63	3058	Eye Bolt	2
24	11442	Assy - Belt Brake	1	64	5713	Spacer	1
25	6017	Spacer	3	65	11419	Bracket	1
26	STD551050	*Washer - 17/32 x 1-1/16 x .095	3	66	GM126422	Bolt - 3/8-16 x 2-1/4 carriage	2
27	STD624005	*Pin - Hair	4	69	6078	Handle - Lift	1
28	11414	Popper - V-belt	1	70	3339	Grip - Handle	1
29	STD533110	*Bolt - 5/16-18 x 1" carriage	1	71	4355	Roll - Crank	1
30	GM271184	*Nut & L washer 5/16 -18 hex	6	72	10840	Handle - Grip	1
31	3059	Spring	1	73	11430	Assy - Crank Support	1
32	11458	Assy - Clutch Rod	1	74	STD624010	Pin - Hair Cotter	2
33	11019	Assy - Clutch Brkt.	1	75	7630	Bracket	1
34	10817	Collar	1	76	4798	Spring - Lift	1
35	4122	*Set Screw - 5/16-18 x 5/16 socket	1	77	5737	Assy - Chain & Toggle	1
36	3077	Spring	1	78	9222	Strap - Rear Mtg.	2
37	STD533710	*Bolt - 3/8-16 x 1 carr	4	79	STD523108	Bolt - 5/16-18 x 5/8 hex hd	4
38	GM271190	*Nut & L washer 3/8 -16 hex	6	NP	11558	Manual - Instruction and Repair	1
39	6475	*Bolt - 3/8-16 x 3-1/2 full thd hex hd	1				
40	STD541037	*Nut - 3/8-16 Lt hex	6				

E522 (10.1.78)

*Standard Hardware - Purchased Locally



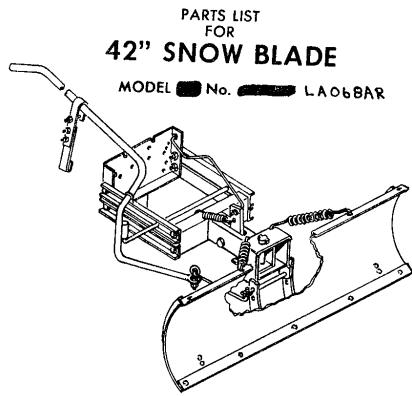
Repair Parts, PEC-301

REPAIR PARTS

LA049AR Model Number PEC-301

KEY NO.	PART NUMBER	DESCRIPTION	REQ'D.
1	C-1-A	Tray and Support Assembly	1
2	C-4-N	Hitch Assembly	1
3	C-2-A	Bag Support Ring	1
4	STD-541050	Hex Nut, 1/2-13	3
5	STD	Lockwasher, 1/2 SAE	1
6	STD-525015	Hex Bolt, 1/2-13 x 1-1/2	3
7	C-3-A	Engine Support and Upright	1
8	C-20-A	Hose Clamp, 6" Dia.	4
9	C-18-A	Flex Hose, 6" Dia. x 40" Long	1
10	STD-533710	Carriage Bolt, 3/8-16 x 1	2
11	C-25-A	Boot Clamp Plate	1
12	STD-51037	Flat Washer, 3/8 SAE	2
13	STD-541237	Hex Nut, 3/8-16	6
14	B-361	Boot, 36" Hower Deck	1
16	C-27-A	Flex Hose, 6" Dia. x 36" Long	1
17	C-9-A	Blower Cone, 6" Dia.	1
18	W516182N	Wing Bolt, 5/16-18 x 2	2
19	W516182N	Wing Bolt, 5/16-18 x 2	2
19	C-11-A	Blower Blades (Set)	1
20	STD-551250	Internal Tooth Lockwasher, 1/2	2
21	STD-641231	Internal Tooth Lockwasher, 5/16	4
22	STD-623107	Hex Bolt, 5/16-24 x 7/8	4
23	C-16-A	Canvas Bag	1
24	C-17-A	Canvas Bag Cover	1
25	C-29-A	Full Cord Fastener	2
26	C-8-A	Blower Housing	1
27	143.654192	Tecumseh H35 45462L Model No. 143.654192	1
28	STD-523115	Hex Bolt, 5/16-18 x 1-1/2	4
29	STD-551131	Lockwasher, 5/16 SAE	4
30	STD-541131	Hex Nut, 5/16-18	4
31	STD-523725	Hex Bolt, 3/8-16 x 2-1/2	4
32	C-24-A	Reinforcing Angle	1
33	STD-551137	Lockwasher, 3/8 SAE	4
34	C-27-A	Wheel, 8-1/4" Dia. x 2-3/4 Wide	1
35	C-28-A	Caster Assembly	1
	PEC-301	Owner's Manual	1

Order All Replacement Parts For Model LA05 PE-CO 2807 Sweeten Creek Road, Asheville, N.C. 28803



42" SNOW BLADE KIT PARTS LIST

Order Parts From
Peeco Inc.
1902 South Main
South Bend, Ind
46613

Part No.	Description	Qty.	Part No.	Part No.	Description	Qty.	Part No.
1	Blade Assembly	1	110001	19	Latch, Lower	1	110071
2	Drawbar Assembly	1	110004	20	Screw, Hex. Hd. Cap (5/16 - 18 x 1)	2	20059
3	Frame Assembly	1	110002	21	Screw, Hex. Hd. Cap (5/16 - 18 x 1 1/2)	1	20060
4	Parallel Bar Assembly - Upper	1	110005	22	Screw, Hex. Hd. Cap (3/8 - 16 x 3)	8	20061
5	Parallel Bar Assembly - Lower	1	110009	23	Screw, Hex. Hd. Cap (7/8 - 10 x 2 1/2)	1	20043
6	Frame Mount Assembly	1	110006	24	Bolt, Chelega (1/2 - 20 x 3 1/4)	5	110010
7	Handle Assembly	1	120051	25	Bolt, Chelega (1/2 - 18 x 3 1/4)	4	110044
8	Blade Grip	1	120051	26	Bolt, Flat (1/2 - 18 x 1)	1	110044
9	Link, Index	1	20082	27	Washer, Med. Splitlock (1/4)	5	20012
10	Link, Pivot	1	20085	28	Washer, Med. Splitlock (3/8)	5	20014
11	Bar, Index	1	110008	29	Washer, Med. Splitlock (3/8)	5	20058
12	Latch, Upper	1	110007	30	Washer, Plain (5/16 SAE)	5	20018
13	Spring, Blade	2	80001	31	Nut, Hex (1/2 - 20)	8	20010
14	Spring, Tension	1	80001	32	Nut, Hex (5/16 - 18)	5	20020
15	Pin, Clevis	1	20022	33	Nut, Hex (5/16 - 18)	5	20010
16	Rod, Clevis	1	20009	34	Pin, Coner (1/2 x 1)	5	20010
17	Shaver, Parallel Bar	8	12006	35	Nut, Hex (5/16 - 18)	5	20010
18	Extension, Handle	1	20056	36	Handle Bar Grip	1	80001

MINIMUM PARTS ORDER \$5.00. ALL STANDARD HARDWARE ITEMS MAY BE PURCHASED LOCALLY.