

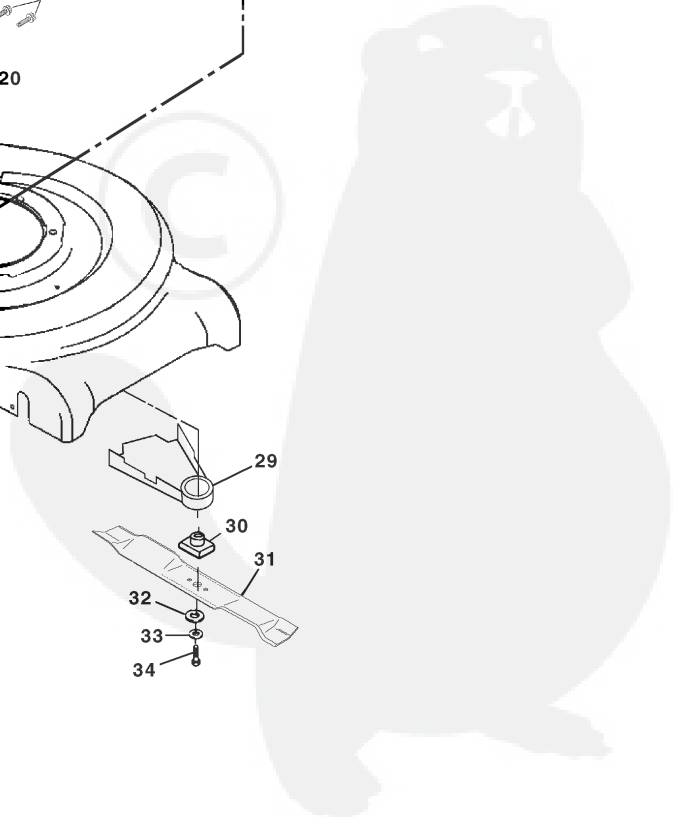
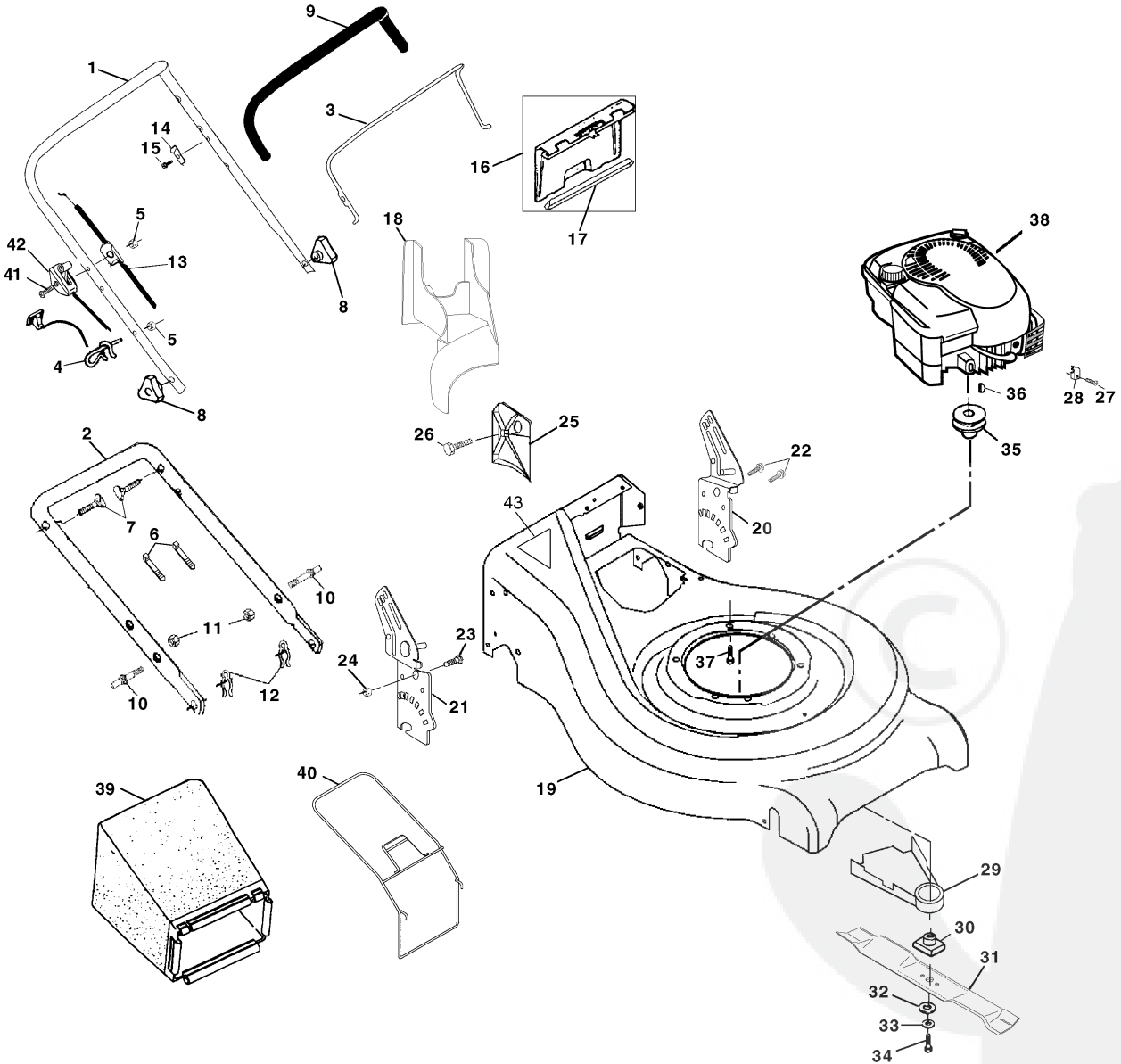


REPAIR PARTS MANUAL
MODEL NO. BM55BTO53B
Lawn Mower

BESTGREEN

REPAIR PARTS

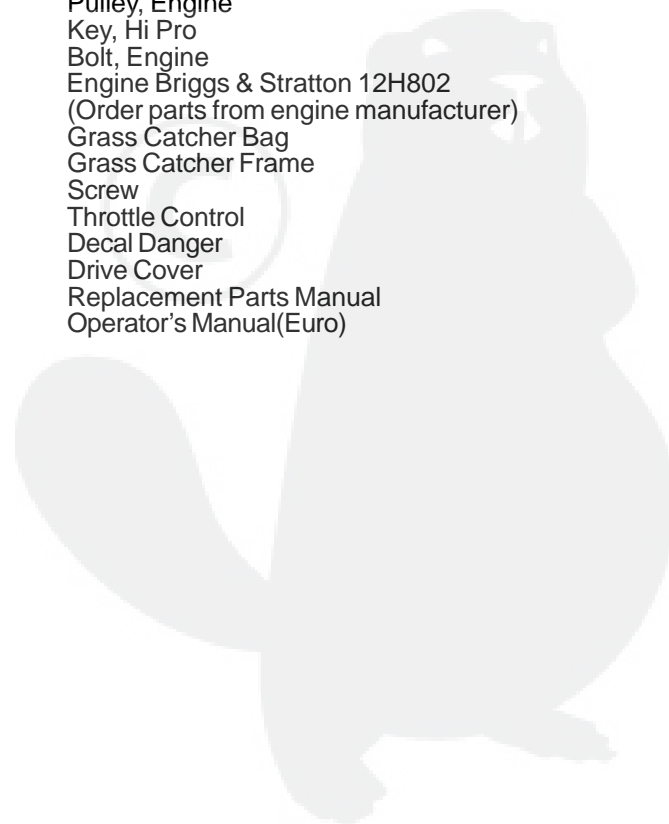
ROTARY LAWN MOWER - - MODEL NO. BM55BTO53B



REPAIR PARTS

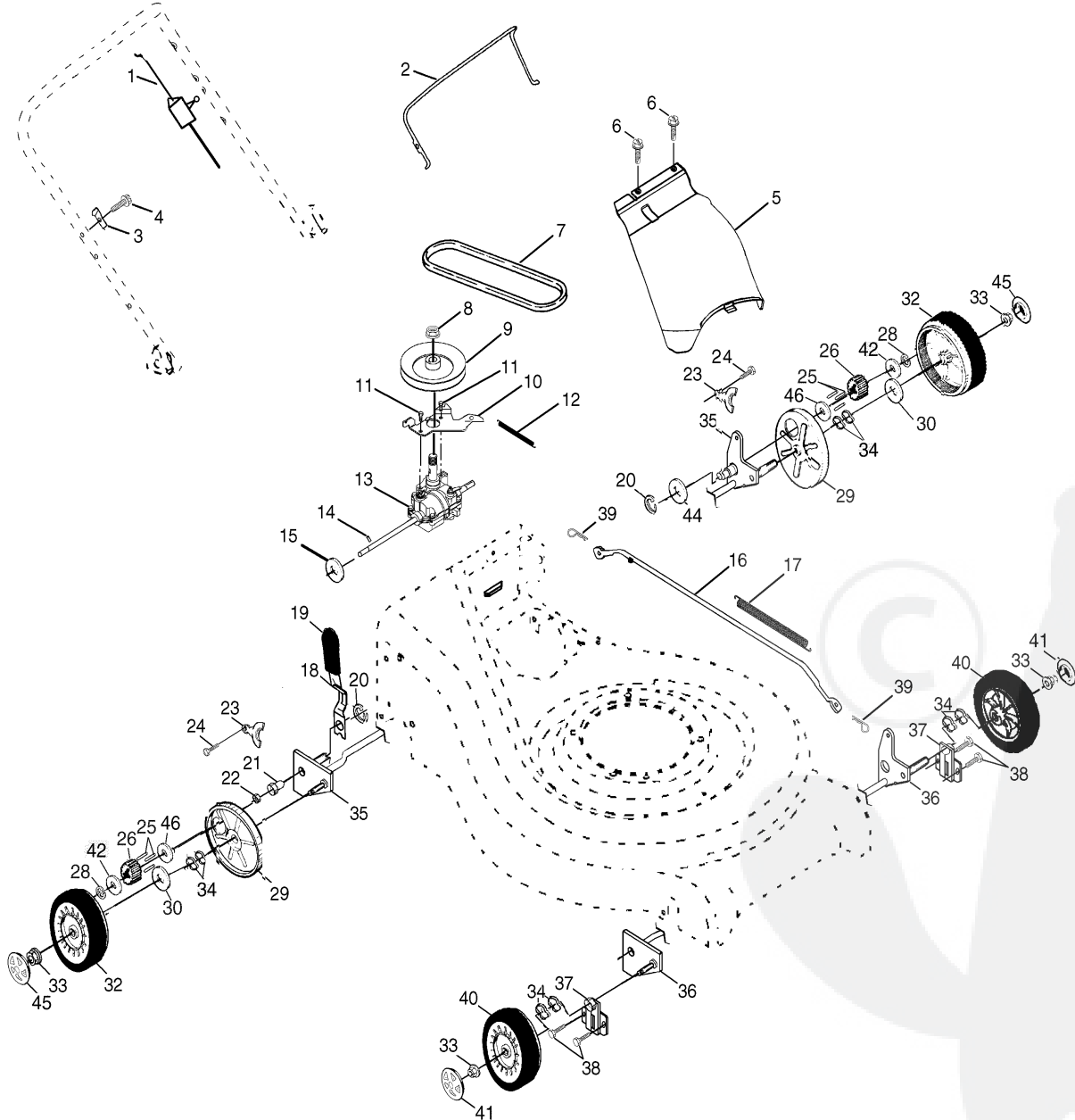
ROTARY LAWN MOWER - - MODEL NO. BM55BTO53B

KEY NO.	PART NO.	DESCRIPTION	KEY NO.	PART NO.	DESCRIPTION
1	167163	Handle, Upper Dlx Comf.	25	161333	Baffle, Side
2	161105X479	Handle, Lower	26	163409	Screw 12 x 5/8
3	131036	Bail, Cont. Wire Dlx Comf. Blk	27	83816	Screw
4	132001	Guide, Rope, Side	28	111190X	Cable Clamp
5	63601	Nut, Hex Lockwasher 1/4-20	29	134612	Shield, Debris Modified
6	66426	Wire, Tie	30	851514	Adapter
7	131959	Bolt, Handle 5/16-18 x 1.75	31	159267	Blade, 21"
8	87692	Knob, Handle	32	851074	Washer, Hardened
9	164265	Grip, Hdl Foam Smooth	33	850263	Lockwasher, Helical Spring 3/8
10	161551	Bolt, Sq. Neck	34	851084	Screw, Hex Head 3/8-24 x 1.38
11	73990500	Nut, Hex Lockwasher Ins. 5/16-18 UNC	35	84596	Pulley, Engine
12	51793	Cotter, Hairpin	36	87677	Key, Hi Pro
13	133107	Cable	37	150406	Bolt, Engine
14	850733X004	Bracket, Upstop	38	-----	Engine Briggs & Stratton 12H802 (Order parts from engine manufacturer)
15	83816	Screw, Hex Washer Head Tapping 10-2	39	167459	Grass Catcher Bag
16	162085	Kit, Door Rear	40	161358	Grass Catcher Frame
17	161548	Seal, Door	41	144929	Screw
18	165261	Plug, Mulcher	42	164137	Throttle Control
19	162084	Kit, Housing	43	145494	Decal Danger
20	161568X479	Handle, Bracket Asm. Left	--	161057	Drive Cover
21	168227X479	Handle, Bracket Asm. Right	--	169783	Replacement Parts Manual
22	150078	Screw, Hex Wshd	--	167477	Operator's Manual(Euro)
23	163183	Bolt, Hex Head 5/16-18 x 5/8			
24	63124	Nut, Hex Lock Wshr 5/16-18			



REPAIR PARTS

ROTARY LAWN MOWER - - MODEL NO. BM55BTO53B



REPAIR PARTS

ROTARY LAWN MOWER - - MODEL NO. BM55BTO53B

KEY NO.	PART NO.	DESCRIPTION
1	161587	Cable Drive
2	161473	Bail Control Drive
3	161478X004	Bracket, Downstop
4	83816	Screw Hex Wash Head Tapping 10-2
5	161537	Cover Drive
6	750634	Screw Thdrol 10-25 x .50
7	160816	V-Belt
8	132010	Nut Lock Flanged 3/8-16 Zinc
9	163939	Pulley Driven
10	160813X004	Belt Keeper
11	17541011	Screw Hex Wash Head 10-24 X .668
12	75192	Spring
13	169611	Transmission Asm.
14	145354	Pin Spring Thrust
15	57079	Washer Hardened
16	161584	Rod Connecting
17	161602	Spring Extension
18	160477X004	Spring Selector
19	161961	Knob Selector Spring
20	12000022	E-Ring 7/8

KEY NO.	PART NO.	DESCRIPTION
21	163365	Bearing Support
22	169911	Bearing Ball
23	161118X004	Retainer Drive Asm. Stmp.
24	57808	Screw Hex Head Tapping 1/4-20 x .75
25	166453	Drive Pawl
26	166450	Pinion, Drive RH
28	12000058	E-Ring 7/16
29	88080	Cover, Dust Wheel
30	67725	Washer 1/2 x 1-1/2 x .134
32	162063	Wheel 9 x 2
33	83923	Nut Hex Flange Lock
34	57143	Wave Washer
35	160785 X004	Shaft Asm. Rear
36	160786X004	Shaft Asm. Front
37	161463	Retainer Front Shaft
38	163409	Screw 12 x 5/8
39	700279	Clip Retainer
40	143593	Wheel 8 x 2
41	150182	Hubcap
42	52160	Washer
44	19572216	Washer
45	150181	Hubcap
46	62335	Washer

5



SERVICE NOTES



SERVICE NOTES



LIMITED WARRANTY

The Manufacturer warrants to the original consumer purchaser that this product as manufactured is free from defects in materials and workmanship. For a period of two (2) years from date of purchase by the original consumer purchaser, we will repair or replace, at our option, without charge for parts or labor incurred in replacing parts, any part which we find to be defective due to materials or workmanship. This Warranty is subject to the following limitations and exclusions.

1. This warranty does not apply to the engine. Please contact your nearest Bricomarché dealer where they will send the machine to the engine manufacturer.
2. Transportation charges for the movement of any power equipment unit or attachment are the responsibility of the purchaser. Transportation charges for any parts submitted for replacement under this warranty must be paid by the purchaser unless such return is requested by Bricomarché.
3. Battery Warranty: On products equipped with a Battery, we will replace, without charge to you, any battery which we find to be defective in manufacture, during the first ninety (90) days of ownership. After ninety (90) days, we will exchange the Battery, charging you 1/12 of the price of a new Battery for each full month from the date of the original sale. Battery must be maintained in accordance with the instructions furnished.
4. The Warranty period for any products used for rental or commercial purposes is limited to 45 days from the date of original purchase.
5. This Warranty applies only to products which have been properly assembled, adjusted, operated, and maintained in accordance with the instructions furnished. This Warranty does not apply to any product which has been subjected to alteration, misuse, abuse, improper assembly or installation, delivery damage, or to normal wear of the product.
6. Exclusions: Excluded from this Warranty are belts, blades, blade adapters, normal wear, normal adjustments, standard hardware and normal maintenance.
7. In the event you have a claim under this Warranty, please contact your nearest Bricomarché dealer.

Should you have any unanswered questions concerning this Warranty, please contact:

SERVICE CONSOMMATEURS
BP443
91164 LONGJUMEAU cedex
France

giving the model number, serial number and date of purchase of your product and the name and address of the authorized dealer from whom it was purchased.

THIS WARRANTY DOES NOT APPLY TO INCIDENTAL OR CONSEQUENTIAL DAMAGES. ANY IMPLIED WARRANTIES ARE LIMITED TO THE SAME TIME PERIODS STATED HEREIN.

This is a limited Warranty within the meaning of that term as defined in the Magnuson-Moss Act of 1975.