

20RP375



**REPAIR PARTS MANUAL**  
**MODEL NO. RE2A271G = 20RP375**  
**Lawn Mower**

---

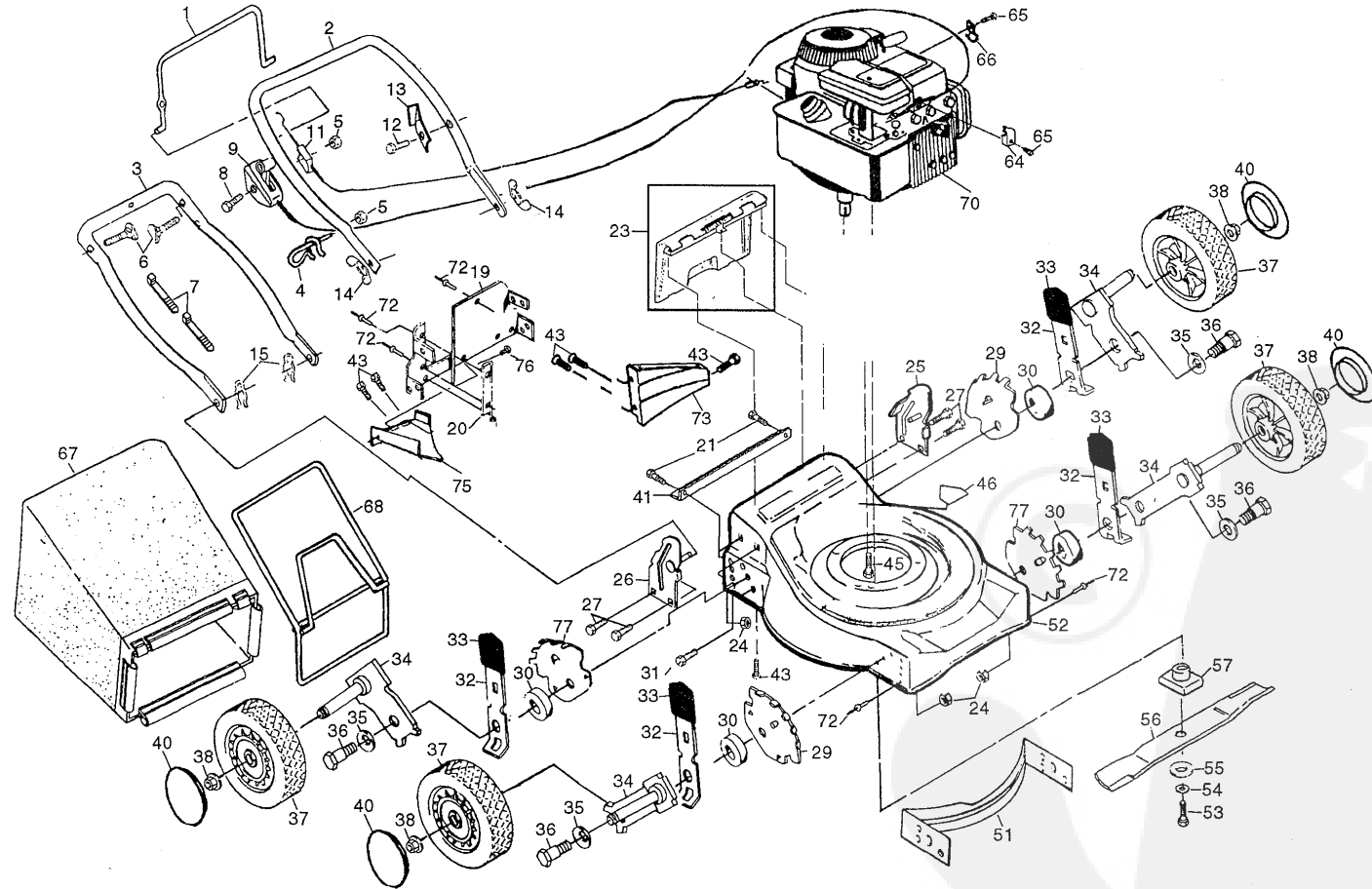
**Rally**

168021 12.09.98 VB  
PRINTED IN U.S.A.



# REPAIR PARTS

## ROTARY LAWN MOWER - - MODEL NO. RE2A271G



## REPAIR PARTS

### ROTARY LAWN MOWER - - MODEL NO. RE2A271G

KEY NO.	PART NO.	DESCRIPTION	KEY NO.	PART NO.	DESCRIPTION
1	86902	Control Bar	36	142748	Shoulder Bolt 3/8-16
2	165451X479	Upper Handle	37	148438	Wheel Assembly
3	157081X479	Lower Handle	38	83923	Washer
4	132001	Rope Guide	40	77400	Hubcap
5	63601	Locknut 1/4-20	41	146143X479	Foot Guard
6	131959	Handle Bolt	43	54583	Hex Tapping Screw 1/4-20 x 1/2
7	66426	Wire Ties	45	150406	Hex Head Thread Rolling Screw 3/8-16 x 2
8	158755	Hex Washer Head Screw 1/4-20 x 2-1/8	46	145494	Danger Decal
9	851462	Throttle Control	51	165545	Front Baffle Kit
11	130861	Engine Zone Control Cable	52	162186	Housing Assembly (Incl. Ref. #46)
12	750097	Hex Washer Head Screw #10-24 x 1/2	53	851084	Hex Head Screw 3/8-24 x 1-3/8 Grd. 8
13	850733X004	Up-Stop Bracket	54	850263	Helical Lock Washer
14	128638	Wing Nut	55	851074	Hardened Washer
15	51793	Hairpin Cotter	56	850792	20" Blade
19	156445X479	Back Plate	57	850977	Blade Adapter
20	700363X479	Side Baffle	65	83816	Screw #10 x 5/8
21	146694	Screw	64	213146	* Cable Clamp
23	147613	Rear Door Assembly Kit	66	87930	Cable Clamp
24	751592	Locknut 3/8-16	67	149619	Grass Bag
25	151589X479	Handle Bracket Assembly (Left)	68	149555	Catcher Frame
26	151588X479	Handle Bracket Assembly (Right)	70	-----	* Engine - Briggs/Stratton Model No. 98902
27	150078	Screw 5/16-18 x 3/4			Order parts from engine manufacturer
29	134340	Wheel Adjusting Bracket (LR/RF)	72	128415	Pop Rivet
30	146630	Spacer	73	700063X479	Rear Baffle
31	88652	Hinge Screw	75	133188X479	Discharge Baffle
32	850862X004	Selector Spring	76	150050	Screw
33	87877	Selector Knob	77	134341	Wheel Adjusting Bracket (LF/RR)
34	145937X004	Axle Arm Assembly	--	163164	Operator's Manual (Euro.)
35	62335	Belleville Washer	--	164768	Operator's Manual (Scand.)
			--	168021	Replacement Parts Manual

\*These parts must be purchased through an authorized Briggs and Stratton dealer.

