



# REPAIR PARTS MANUAL

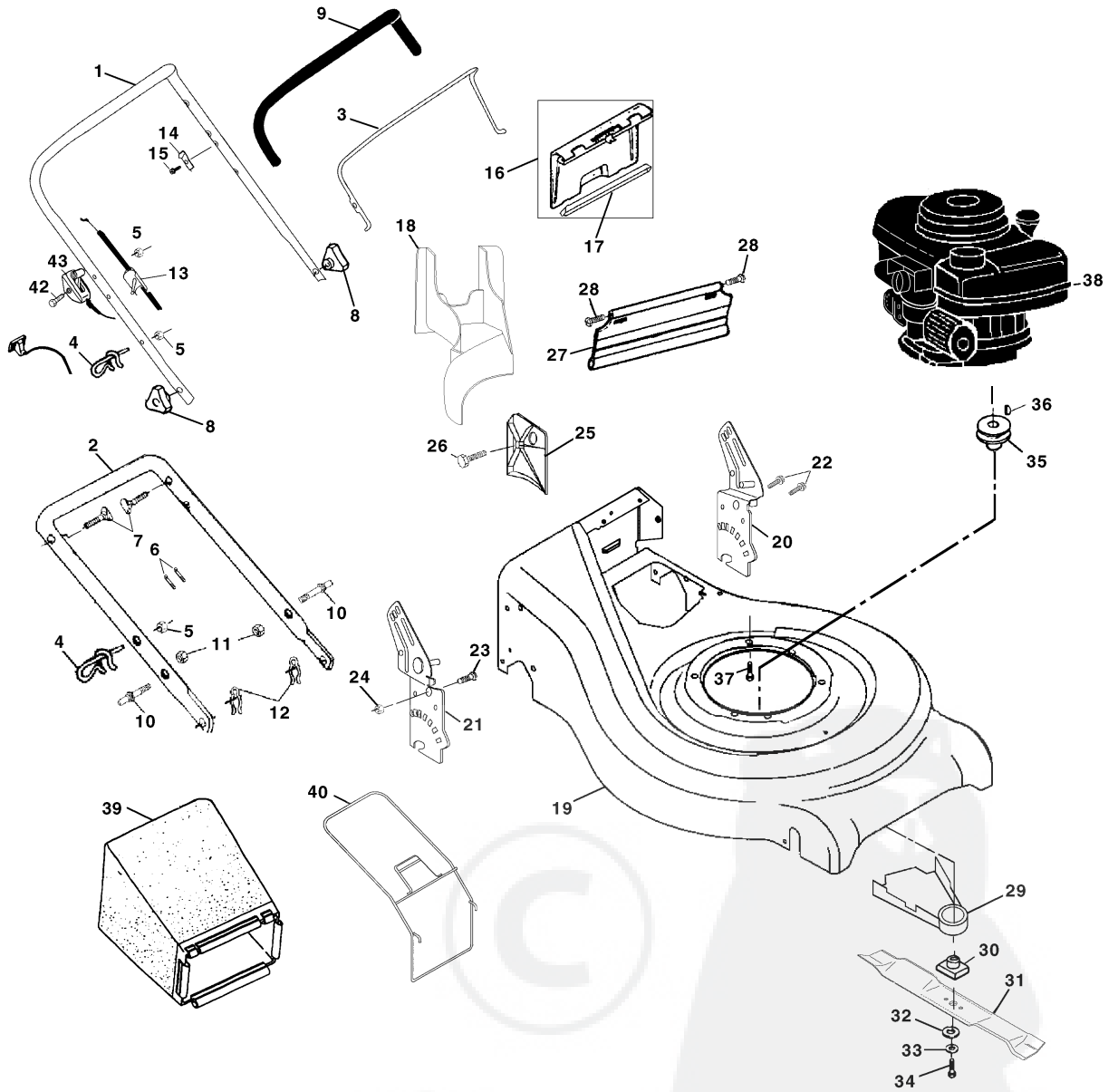
## MODEL NO. B653TB

### Lawn Mower



# REPAIR PARTS

## ROTARY MOWER MODEL NO. B653TB



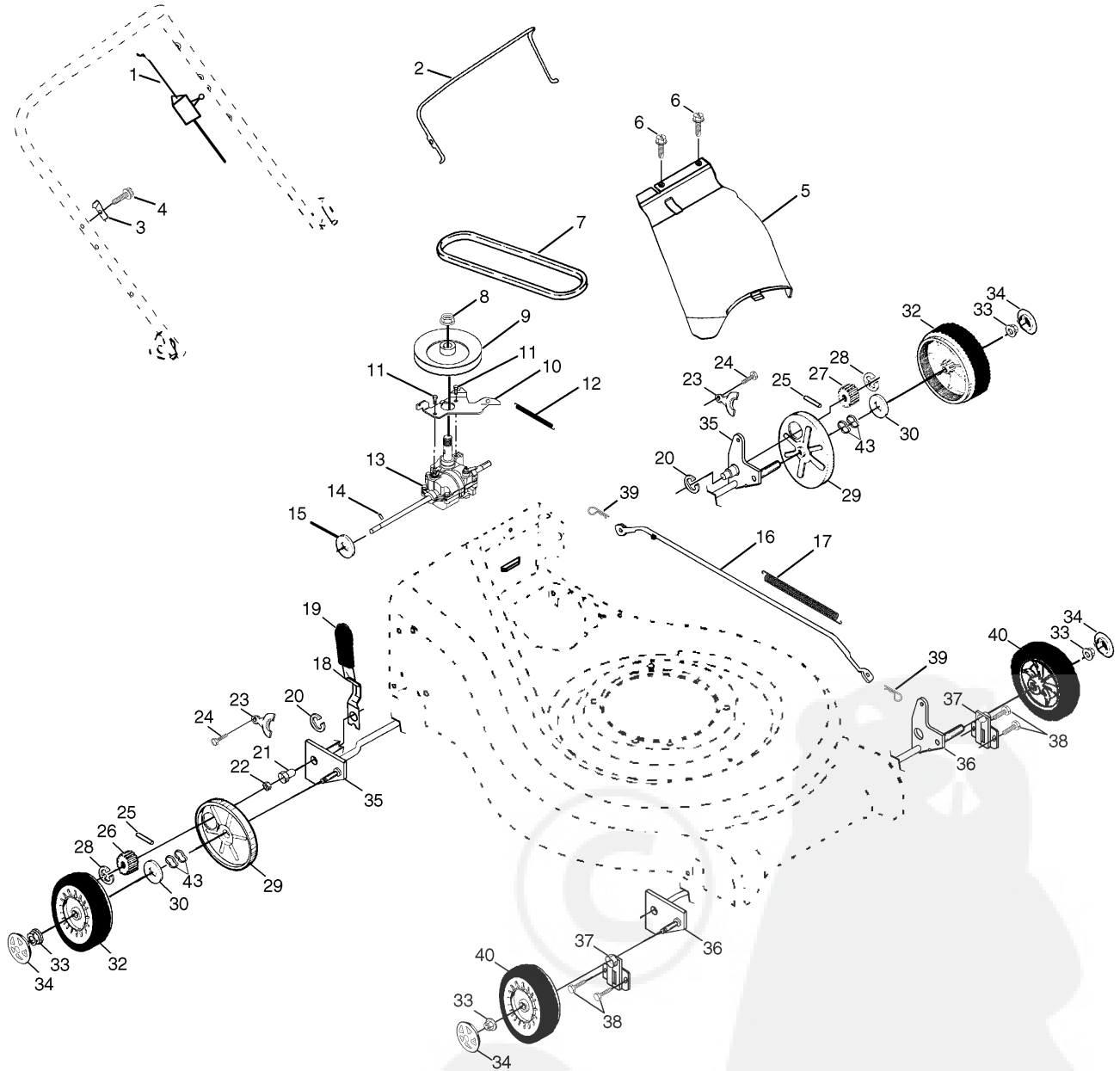
# REPAIR PARTS

## ROTARY MOWER MODEL NO. B653TB

KEY NO.	PART NO.	DESCRIPTION
1	<b>165542</b>	Handle, Upper Dlx Comf.
2	161105X479	Handle, Lower
3	131036	Bail, Cont. Wire Dlx Comf. Blk
4	<b>132001</b>	Guide, Rope, Side
5	63601	Nut, Hex Lockwasher 1/4-20
6	66426	Wire, Tie
7	131959	Bolt, Handle 5/16-18 x 1.75
8	87692	Knob, Handle
9	<b>164265</b>	Grip, Hdl Foam Smooth
10	161551	Bolt, Sq. Neck
11	73990500	Nut, Hex Lockwasher Ins. 5/16-18 UNC
12	51793	Cotter, Hairpin
13	133107	Cable
14	850733X004	Bracket, Upstop
15	83816	Screw, Hex Washer Head Tapping 10-2
16	162085	Kit, Door Rear
17	161548	Seal, Door
18	<b>165261</b>	Plug, Mulcher
19	162106	Kit, Housing
20	161568X479	Handle, Bracket Asm. Left
21	161569X479	Handle, Bracket Asm. Right
22	150078	Screw, Hex Wshd
23	163183	Bolt, Hex Head 5/16-18 x 5/8
24	63124	Nut, Hex Lock Wshr 5/16-18
25	161333	Baffle, Side
26	163409	Screw 12 x 5/8
27	161550	Skirt
28	88652	Screw, Hinge 1/4-20 x 1.25
29	134612	Shield, Debris Modified
30	<b>851514</b>	Adapter
31	159267	Blade, 21"
32	851074	Washer, Hardened
33	83923	Lockwasher, Helical Spring 3/8
34	851084	Screw, Hex Head 3/8-24 x 1.38
35	<b>85543</b>	Pulley, Engine
36	87677	Key, Hi Pro
37	150406	Bolt, Engine
38	-----	Engine Tecumseh Model No. TVS-120 Order parts from engine manufacturer
39	<b>165844</b>	Grass Catcher Bag
40	161358	Grass Catcher Frame
42	144929	Screw
43	163054	Throttle Control
--	145494	Danger Decal
--	162602	Operator's Manual (English)
--	162603	Operator's Manual (French)
--	<b>167812</b>	Replacement Parts Manual (English/French)

# REPAIR PARTS

## ROTARY LAWN MOWER - - MODEL NO. B653TB



# REPAIR PARTS

## ROTARY LAWN MOWER - - MODEL NO. B653TB

KEY NO.	PART NO.	DESCRIPTION
1	161587	Cable Drive
2	161473	Bail Control Drive
3	161478X004	Bracket, Downstop
4	<b>83816</b>	Screw Hex Wash Head Tapping 10-2
5	161537	Cover Drive
6	750634	Screw Thdrol 10-25 x .50
7	160816	V-Belt
8	132010	Nut Lock Flanged 3/8-16 Zinc
9	<b>163939</b>	Pulley Driven
10	160813X004	Belt Keeper
11	17541011	Screw Hex Wash Head 10-24 X .668
12	75192	Spring
13	161581	Transmission Asm.
14	145354	Pin Spring Thrust
15	57079	Washer Hardened
16	161584X479	Rod Connecting
17	161602	Spring Extension
18	160477X004	Spring Selector
19	161961	Knob Selector Spring
20	12000022	E-Ring 7/8
21	163365	Bearing Support
22	88060	Bearing Ball
23	161118X004	Retainer Drive Asm. Stmp.
24	57808	Screw Hex Head Tapping 1/4-20 x .75
25	<b>164795</b>	Drive Pawl
26	<b>165096</b>	Pinion, Drive RH
27	<b>165097</b>	Pinion, Drive LH
28	12000058	E-Ring 7/16
29	88080	Cover, Dust Wheel
30	67725	Washer 1/2 x 1-1/2 x .134
32	162062	Wheel 9 x 2
33	<b>83923</b>	Nut Hex Flange Lock
34	77400	Hubcap 3" Dome
35	160785 X004	Shaft Asm. Rear
36	160786X004	Shaft Asm. Front
37	161463	Retainer Front Shaft
38	163409	Screw 12 x 5/8
39	700279	Clip Retainer
40	146247	Wheel 8 x 2
43	57143	Wave Washer

## LIMITED WARRANTY

The Manufacturer warrants to the original consumer purchaser that this product as manufactured is free from defects in materials and workmanship. For a period of one (1) year from date of purchase by the original consumer purchaser, we will repair or replace, at our option, without charge for parts or labor incurred in replacing parts, any part which we find to be defective due to materials or workmanship. This Warranty is subject to the following limitations and exclusions.

1. This warranty does not apply to the engine. Please contact your nearest dealer where they will send the machine to the engine manufacturer.
2. Transportation charges for the movement of any power equipment unit or attachment are the responsibility of the purchaser. Transportation charges for any parts submitted for replacement under this warranty must be paid by the purchaser unless such return is requested by your dealer.
3. Battery Warranty: On products equipped with a Battery, we will replace, without charge to you, any battery which we find to be defective in manufacture, during the first ninety (90) days of ownership. After ninety (90) days, we will exchange the Battery, charging you 1/12 of the price of a new Battery for each full month from the date of the original sale. Battery must be maintained in accordance with the instructions furnished.
4. The Warranty period for any products used for rental or commercial purposes is limited to 45 days from the date of original purchase.
5. This Warranty applies only to products which have been properly assembled, adjusted, operated, and maintained in accordance with the instructions furnished. This Warranty does not apply to any product which has been subjected to alteration, misuse, abuse, improper assembly or installation, delivery damage, or to normal wear of the product.
6. Exclusions: Excluded from this Warranty are belts, blades, blade adapters, normal wear, normal adjustments, standard hardware and normal maintenance.
7. In case of any problem within the boundaries of this warranty, contact the nearest BRICORAMA department store, indicate the model number, serial number and proof of purchase of your machine. This warranty does not apply to accidental damages. All implicit warranties are limited to the same time frames.

E.M. Services  
54 Rue Lambrechts  
92400 Courbevoie  
France  
Telephone: (1) 46678078  
Fax: (1) 46678095

THIS WARRANTY DOES NOT APPLY TO INCIDENTAL OR CONSEQUENTIAL DAMAGES. ANY IMPLIED WARRANTIES ARE LIMITED TO THE SAME TIME PERIODS STATED HEREIN.