

MASTER PARTS MANUAL

ROTARY MOWERS

RALLY LAWN TRACTORS

MODELS:

M1118AR
M6187AR
M6517BR
M6538AR

L0239AR
L1219AR
L8218AR
L8218BR
L8218CR

few {
K8327AR
K8327BR
K8327CR

LA049AR
LA058AR
LA068AR

new. Football Exchange.

*Jeune de lames 71285
Courvois traction 75794
" tondeuse 69828*

LAWN AND GARDEN
POWER EQUIPMENT

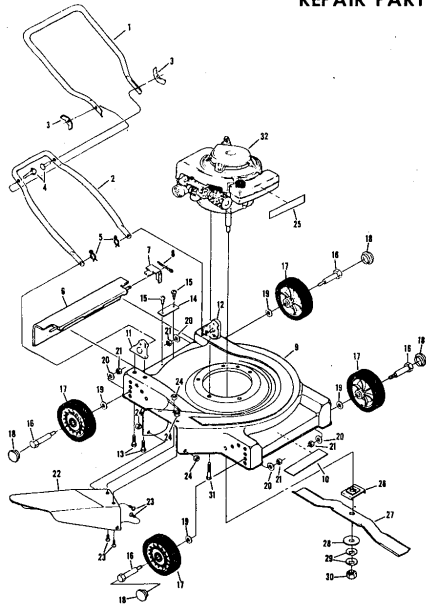
ROPER SALES CORP.

1905 WEST COURT STREET
KANKAKEE, ILLINOIS 60901

PRICE \$2.00
FEBRUARY 1, 1979

ROPER 20" 148 CC 3.5 H.P. ROTARY LAWN MOWER MODEL NUMBER M1118AR

REPAIR PARTS



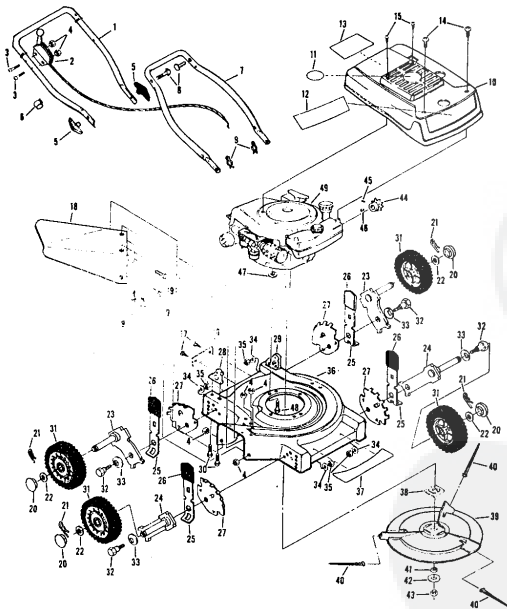
ROPER 20" 148 CC 3.5 H.P. ROTARY LAWN MOWER MODEL NUMBER M1118AR

REPAIR PARTS

Ref. No.	Part No.	Part Name	Ref. No.	Part No.	Part Name
1	64932	Handle - Upper	18	67360	Hub Cap (R.R.-L.R.-R.F.-L.F.)
2	62362	Handle - Lower	19	70080	Washer, Flat Steel .405-.860 X .250 (R.R.-L.R.-R.F.-L.F.)
3	67504	Wing Nut 5/16-18	20	54005	Washer, Flat Steel .405-.860 X .095 (R.R.-L.R.-R.F.-L.F.)
4	58714	Bolt, Handle 5/16-18 X 1 3/4	21	74400	Nut, Lock 3/8-16 (R.R.-L.R.-R.F.-L.F.)
5	51793	Hairpin Cutter - 3/4	22	67731	Discharge Guard
6	72502	Rear Skirt	23	69179	Screw, Machine #10-24 X 1/2
7	72393	Skirt Keeper	24	69100	Nut, Lock #10-24
8	63640	Cutter Pin - 3/4	25	75773	Decal - Fuel Tank
9	79262	Housing W/Silk Screening W/Decal (Incl. Ref. #10)	26	69226	Blade Flange Assembly
10	73221	Decal - Housing	27	69229	Blade
11	62886	Handle Bracket Assembly-Right	28	69385	Washer, Blade
12	62887	Handle Bracket Assembly-Left	29	54867	Washer, Spring (Ballville Type)
13	55187	Screw, Self-Tapping 5/16-18 X 3/4	30	51423	Nut, Nylon 5/8-18
14	75766	Number Plate	31	68205	Screw, Machine Hex Head W/Lock Washer 5/16-18 X 7/8
15	54562	Screw, Self-Tapping #10-24 X 3/8	32	75071	Engine-Model (LAV 25-40945L) (3.5 H.P.) (Tecumseh Products Company)
16	60838	Axle Bolt 3/8-16 (R.R.-L.R.-R.F.-L.F.)			Parts List - Owner's Manual
17	75071	Wheel and Tire Assembly-7" (R.R.-L.R.-R.F.-L.F.)	75768		

ROPER 20" WHIP STIK™ 164CC 4.0 H.P. POWER PROPELLED LAWN MOWER MODEL NUMBER M6187AR

REPAIR PARTS

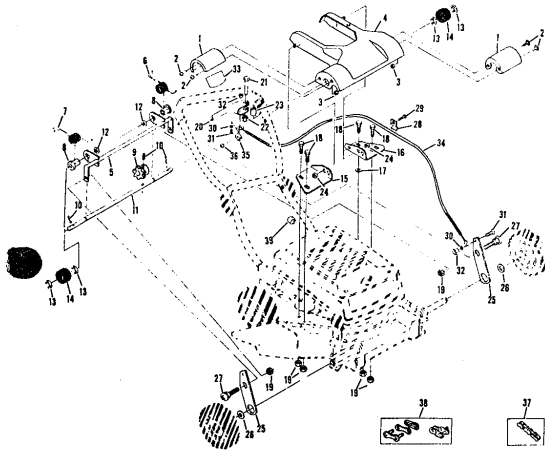


ROPER 20" WHIP STIK™ 164CC 4.0 H.P. POWER PROPELLED LAWN MOWER MODEL NUMBER M6187AR

Ref. No.	Part No.	Part Name	Ref. No.	Part No.	Part Name
1	75193	Handle - Upper	28	62886	Handle Bracket Assembly-Right
2	73445	Remote Control	29	62887	Handle Bracket Assembly-Left
3	69411	Screw, Machine Phillips #10-24 X 1 3/4	30	55187	Screw, Self-Tapping 5/16-18 X 3/4
4	69180	Nut, Lock #10-24	31	72425	Wheel and Tire Assembly-8" (R.R.-L.R.-R.F.-L.F.)
5	58715	Knob - Handle	32	64763	Bolt, Shoulder (Special) 3/8-16 (R.R.-L.R.-R.F.-L.F.)
6	38891	Cable Clip	33	62335	Washer, Belleville .500-1.10 X .082 (R.R.-L.R.-R.F.-L.F.)
7	62362	Handle - Lower	34	62333	Washer, Flat Steel .300-1.437 X .074 (R.R.-L.R.-R.F.-L.F.)
8	58714	Bolt, Handle 5/16-18 X 1 3/4	35	74400	Nut, Lock 3/8-16
9	51793	Hairpin Cutter - 3/4	36	79294	Housing W/Silk Screening W/Decal (Incl. Ref. #37)
10	79285	Engine Shroud Pack (Incl. Ref. #11,12,13)	37	75325	Decal - Housing
11	74779	Decal - Center	38	74654	Flange Assembly
12	73216	Decal - Shroud	39	74199	Pin Holder
13	74656	Decal - Engine Instruction	40	74334	Pin (Three required)
14	73322	Screw, Self-Tapping #8 X 3/4	41	74393	Spacer
15	68246	Screw, Self-Tapping 1/4-20 X 3/4	42	74456	Washer, Belleville .630-1.875 X .129
16	75215	Number Plate	43	51433	Nut, Nylon 5/8-18
17	54562	Screw, Self-Tapping #10-24 X 3/8	44	71851	Spracket 9 Tooth W/2 Set Screw (Incl. Ref. #45)
18	67731	Discharge Guard	45	52828	Set Screw 1/4-28 X 3/16
19	69179	Screw, Machine #10-24 X 1/2	46	52978	Key, Woodruff #5
20	67360	Hub Cap (R.R.-L.R.-R.F.-L.F.)	47	59289	Washer, Flat Steel .328-1 X .097 5/16-18 X 7/8
21	55015	Retainer Clip (R.R.-L.R.-R.F.-L.F.)	48	68205	Screw, Machine Hex Head 5/16-18 X 7/8
22	52160	Washer, Flat Steel .515-1 X .031 (R.R.-L.R.-R.F.-L.F.)	49		Engine-Model (LAV 40-50375SD) (4.0 H.P.) (Tecumseh Products Company)
23	69474	Axle Arm Assembly (R.R.-L.R.-L.F.)			Parts List - Owner's Manual
24	73632	Axle Arm Assembly (R.F.-L.R.-L.F.)			
25	70683	Selector Spring (R.R.-L.R.-R.F.-L.F.)			
26	70685	Selector Knob (R.R.-L.R.-R.F.-L.F.)			
27	69478	Wheel Adjusting Bracket (R.R.-L.R.-R.F.-L.F.)	75218		

ROPER 20" WHIP STIK™ 164CC 4.0 H.P. POWER PROPELLED LAWN MOWER MODEL NUMBER M6187AR

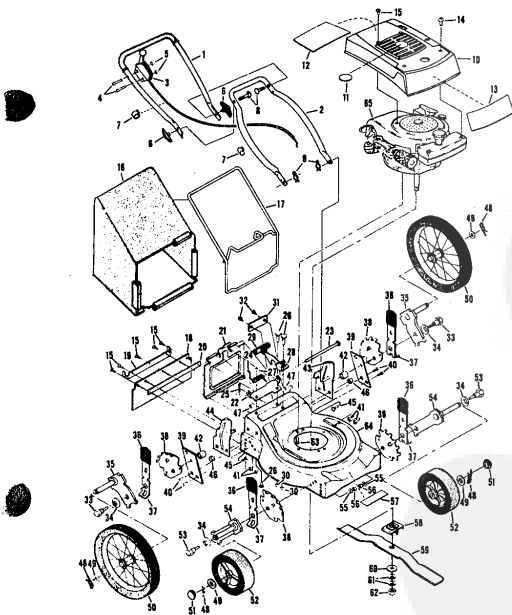
REPAIR PARTS



ROPER 20" WHIP STIK™ 164CC 4.0 H.P. POWER PROPELLED LAWN MOWER MODEL NUMBER M6187AR

Ref. No.	Part No.	Part Name	Ref. No.	Part No.	Part Name
1	73629	Drive Cover	22	72979	Nut, Shoulder (Special) 1/4-28
2	75136	Screw, Machine #10-24 X 1/2	23	73405	Spacer
3	53491	Nut, Lock #10-24	24	52365	E-Ring 3/8 Shaft
4	73787	Chain Cover Assembly	25	74162	Lower Link
5	73626	Yoke Assembly	26	74252	Washer, Flat Steel .531-1.187 X .148
6	73115	Spring - L.H.	27	73916	Bolt, Shoulder (Special) 1/4-20 X 3/4
7	73172	Spring - R.H.	28	73276	Retainer
8	73087	Bearing	29	55187	Screw, Self-Tapping 5/16-18 X 3/4
9	73696	Sprocket - 8 Tooth	30	74190	Spacer
10	52379	Spring Pin 3/16 X 1	31	57155	Screw, Machine #10-24 X 5/8
11	73628	Driven Shaft	32	69180	Nut, Lock #10-24
12	73928	Washer, Flat Steel .628-1.25 X .028	33	73442	Decal - Clutch
13	52364	E-Ring 5/8 Shaft	34	74158	Cable
14	67973	Driver	35	73755	Cable Clamp
15	75113	Pivot - R.H.	36	68662	Screw, Self-Tapping #10 X 7/8
16	75214	Pivot - L.H.	37	74787	Chain #65 (44 Pitch)
17	63128	Washer, Flat Steel .265-3/4 X .082	38	69472	Repair Link Kit (Incl. Offset and Connecting Link)
18	54395	Screw, Hex Head 1/4-20 X 5/8	39	58891	Cable Clip
19	74218	Nut, Lock 1/4-20			
20	74161	Lever			
21	72978	Bolt, Shoulder (Special) 1/4-28 X 1 5/8			

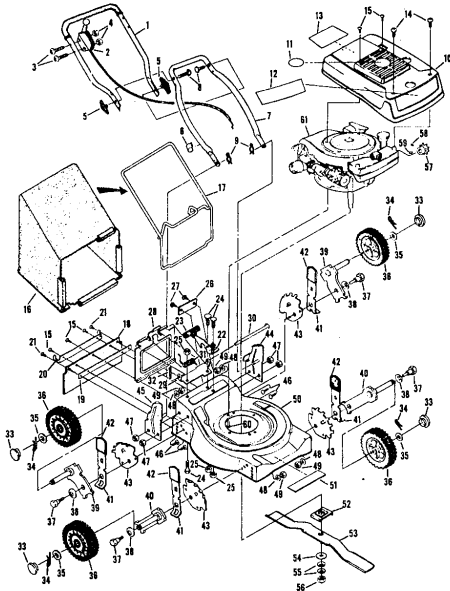
ROPER 20" HIGH WHEEL REAR BAGGER 4.0 H.P. ROTARY LAWN MOWER MODEL NUMBER M6517BR



ROPER 20" HIGH WHEEL REAR BAGGER 4.0 H.P. ROTARY LAWN MOWER MODEL NUMBER M6517BR

Ref. No.	Part No.	Part Name	Ref. No.	Part No.	Part Name
1	74478	Handle - Upper	37	70683	Selector Spring (R.F.-L.F.-R.R.-L.R.)
2	62262	Handle - Lower	38	69478	Wheel Adjusting Bracket (R.F.-L.F.-R.R.-L.R.)
3	73445	Remote Control	39	73712	Bracket Support (R.R.-L.R.)
4	69411	Screw, Machine Phillips #10-24 X 1 1/4	40	73403	Bolt, Hex Head 3/8-16 X 5/8 (R.R.-L.R.)
5	69180	Nut, Lock #10-24	41	51961	Nut, Lock 3/8-16 (R.R.-L.R.)
6	58715	Knob - Handle	42	73713	Spacer (R.R.-L.R.)
7	58891	Cable Clip	43	78992	Handle Bracket - L.H.
8	58714	Bolt, Handle 5/16-18 X 1 3/4	44	78991	Handle Bracket - R.H.
9	51792	Mainpin Cutter - 3/4	45	75156	Bolt, Carriage 5/16-18 X 1/2 (R.R.-L.R.)
10	79261	Engine Shroud Pack (Incl. Ref. #11, 12, 13)	46	74399	Nut, Lock 5/16 X 18
11	74640	Decal - Center	47	68478	Nut, Lock 5/16 X 18 (R.R.-L.R.)
12	74909	Decal - Engine Instruction	48	55015	Retainer Clip (R.R.-L.R.-R.F.-L.F.)
13	74960	Decal - Shroud	49	52160	Washer, Flat Steel .515-1 X .031 (R.R.-L.R.-R.F.-L.F.)
14	73322	Screw, Self-Tapping #8 X 3/4	50	73422	Wheel and Tire Assembly 14.00 X 1.75 (R.R.-L.R.)
15	68346	Screw, Self-Tapping 1/4-20 X 3/4	51	67360	Hub Cap
16	75362	Catcher Bag	52	75073	Wheel and Tire Assembly 8.00 X 1.75 (R.F.-L.F.)
17	72870	Catcher Frame	53	64763	Bolt, Shoulder 3/8-16 (Special) (R.F.-L.F.)
18	73874	Rear Skin	54	69474	Axle Arm Assembly (R.F.-L.F.)
19	73176	Catcher Support	55	62333	Washer, Flat Steel .300-.437 X .074 (R.F.-L.F.)
20	73061	Backing Strip	56	65543	Nut, Lock 3/8-16 (R.F.-L.F.)
21	72869	Rear Door	57	73221	Decal - Housing
22	72125	Hinge Bracket	58	69226	Blade Flange Assembly
23	73326	Hinge Rod	59	69229	Blade
24	72962	Spring	60	69385	Washer, Blade
25	65640	Cotter Pin - 5/64	61	54657	Washer, Spring (Bellville Type)
26	73383	Bolt, Carriage 1/4-20 X 5/8 (Special) (R.R.-L.R.)	62	51433	Nut, Nylok 5-18
27	65601	Nut, Lock 1/4-20	63	68205	Screw, Machine Hex Head W Lock Washer 5/16-18 X 7/8
28	72881	Catcher Latch (Incl. Ref. #29)	64	79258	Housing W/316 (With Decal) (Incl. Ref. #2)
29	68618	Knob	65		Engine-Model (LAV 40-50374D) (Tecumseh Products Co.) 4.0 H.P.
30	74218	Nut, Lock 1/4-20	75616		Parts List-Owner's Manual
31	75614	Number Plate			
32	54562	Screw, Self-Tapping #10-24 X 3/8			
33	73714	Bolt, Shoulder 5/16-18 (Special) (R.R.-L.R.)			
34	62335	Washer, Bellville .505-1.10 X .082 (R.R.-L.R.-R.F.-L.F.)			
35	73420	Axle Arm Assembly (R.R.-L.R.)			
36	70685	Knob-Selector (R.F.-L.F.-R.R.-L.R.)			

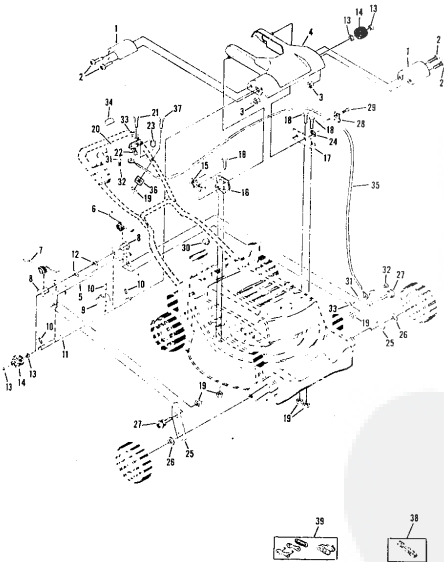
ROPER 20" REAR BAGGER 164CC 4.0 H.P. POWER-PROPELLED
LAWN MOWER MODEL NUMBER M6538AR **REPAIR PARTS**



ROPER 20" REAR BAGGER 164CC 4.0 H.P. POWER-PROPELLED **REPAIR PARTS**
LAWN MOWER MODEL NUMBER M6538AR

Ref. No.	Part No.	Part Name	Ref. No.	Part No.	Part Name
1	76468	Handle - Upper	36	72425	Wheel and Tire Assembly-8" (R.R.-L.R.-R.F.-L.F.)
2	73445	Remote Control	37	64763	Bolt, Shoulder (Special) 3/8-16 (R.R.-L.R.-R.F.-L.F.)
3	69411	Screw, Machine Phillips #10-24 X 1 3/4	38	62335	Washer, Belleville .505-1.10 X .062 (R.R.-L.R.-R.F.-L.F.)
4	69180	Nut, Lock #10-24	39	69474	Axle Arm Assembly (R.F.-L.R.)
5	52715	Knob - Handle	40	73632	Axle Arm Assembly (R.R.-L.R.-L.F.)
6	58891	Cable Clip	41	70683	Selector Spring (R.R.-L.R.-R.F.-L.F.)
7	62362	Handle - Lower	42	70685	Selector Knob (R.R.-L.R.-R.F.-L.F.)
8	52714	Bolt, Handle 5/16-18 X 1 3/4	43	69478	Wheel Adjusting Bracket (R.R.-L.R.-R.F.-L.F.)
9	51793	Mainpin Cutter - 3/4	44	78992	Handle Bracket Assembly-Left
10	79261	Engine Shroud Pack (Incl. Ref. #11,12,13)	45	78991	Handle Bracket Assembly-Right
11	74640	Decal - Center	46	75156	Bolt, Carriage 5/16-18 X 1/2 (R.R.-L.R.)
12	74960	Decal - Shroud	47	74399	Nut, Lock 5/16-18 (R.R.-L.R.)
13	74959	Decal - Engine Instruction	48	62333	Washer, Flat Steel .390-1.457 X .074 (R.R.-L.R.-R.F.-L.F.)
14	73322	Screw, Self-Tapping #8 X 3/4	49	74400	Nut, Lock 3/8-16 (R.R.-L.R.-R.F.-L.F.)
15	68546	Screw, Self-Tapping 1/4-20 X 3/4	50	79269	Housing W/Silk Screening W/Decal (Incl. Ref. #51)
16	75363	Catcher Bag	51	73221	Decal - Housing
17	72870	Catcher Frame	52	69226	Blade Flange Assembly
18	72883	Rear Skirt	53	69229	Blade
19	72061	Backing Strip	54	69285	Washer, Blade
20	73176	Catcher Support	55	54867	Washer, Spring (Belleville Type)
21	73845	Screw, Self-Tapping 1/4-20 X 1/2	56	51633	Nut, Nylok 5/8-16
22	72881	Catcher Latch (Incl. Ref. #23)	57	71851	Sprocket 9 Tooth W/2 Set Screw (Incl. Ref. #58)
23	68618	Knob	58	52826	Set Screw 1/4-28 X 3/16
24	73383	Bolt, Carriage 1/4-20 X 5/8	59	52978	Key, Woodruff #5
25	74218	Nut, Lock 1/4-20	60	68205	Screw, Machine Hex Head 5/16-18 X 7/8
26	75788	Number Plate	61		Engine-Model (LAV 40-50375D) (Tecumseh Products Company) (4.0 H.P.)
27	54562	Screw, Self-Tapping #10-24 X 3/8		75790	Parts List - Owner's Manual
28	72869	Rear Deck			
29	73215	Hinge Bracket			
30	73326	Hinge Rod			
31	72962	Spring			
32	68640	Cutter Pin - 3/4			
33	67360	Hub Cap (R.R.-L.R.-R.F.-L.F.)			
34	55015	Retainer Clip (R.R.-L.R.-R.F.-L.F.)			
35	52160	Washer, Flat Steel .515-1 X .031 (R.R.-L.R.-R.F.-L.F.)			

ROPER 20" REAR BAGGER 164CC 4.0 H.P. POWER-PROPELLED **REPAIR PARTS**
LAWN MOWER MODEL NUMBER M6538AR

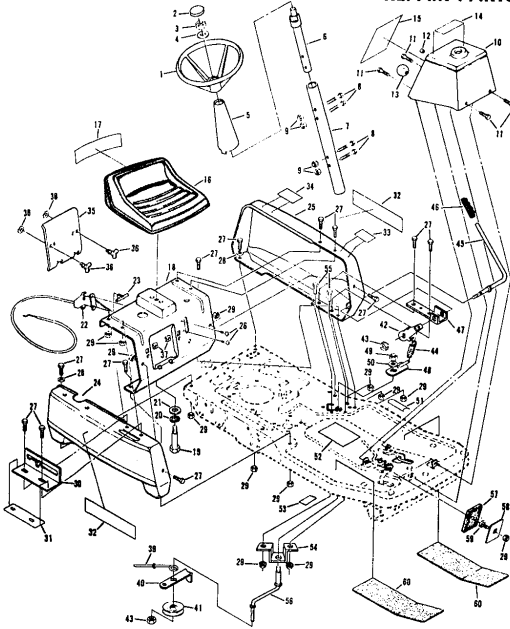


ROPER 20" REAR BAGGER 164CC 4.0 H.P. POWER-PROPELLED **REPAIR PARTS**
LAWN MOWER MODEL NUMBER M6538AR

Ref. No.	Part No.	Part Name	Ref. No.	Part No.	Part Name
1	73629	Drive Cover	22	72979	Nut, Shoulder (Special) 1/4-28
2	75136	Screw, Machine #10-24 X 1/2	23	73405	Spacer
3	53491	Nut, Lock #10-24	24	52365	E-Ring 3/8 Shaft
4	76335	Chain Cover Assembly	25	74162	Lower Link
5	73626	Yoke Assembly	26	74232	Washer, Flat Steel .531-1.187 X .148
6	73115	Spring - L.H.	27	73916	Bolt, Shoulder (Special) 1/4-20
7	73172	Spring - R.H.	28	73276	Retainer
8	73087	Bearing	29	55187	Screw, Self-Tapping 5/16-18 X 3/4
9	72696	Sprocket - 8 Tooth	30	58891	Cable Clip
10	52379	Spring Pin - 3/16 X 1	31	74190	Spacer
11	73628	Driven Shaft	32	57155	Screw, Machine 10-24 X 5/8
12	73928	Washer, Flat Steel .828 - 1.25 X .028	33	69180	Nut, Lock 10-24
13	52364	E-Ring 5/8 Shaft	34	73442	Decal - Clutch
14	67973	Driver	35	76406	Cable
15	75043	Pivot Adjusting Bracket	36	76370	Cable Clamp
16	74617	Pivot - R.H.	37	65131	Screw, Machine 1/4-20 X 1 1/2
17	74618	Pivot - L.H.	38	74787	Chain .65 (44 Pitches)
18	54395	Screw, Hex Head 1/4-20 X 5/8	39	60472	Repair Link Kit (Incl. Offset and Connecting Link)
19	74216	Nut, Lock 1/4-20			
20	74161	Lever			
21	72978	Bolt, Shoulder (Special) 1/4-28 X 1 5/8			

ROPER 32" REAR ENGINE RIDING LAWN MOWER ELECTRIC START 8.0 H.P. MODEL NUMBER K8327AR

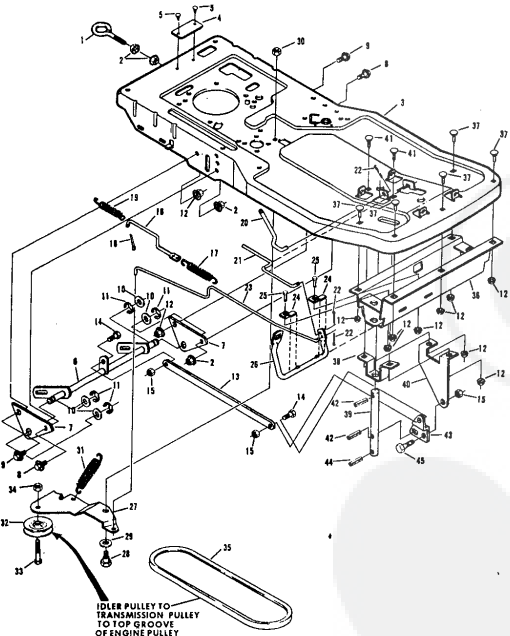
REPAIR PARTS



ROPER 32" REAR ENGINE RIDING LAWN MOWER ELECTRIC START 8.0 H.P. MODEL NUMBER K8327AR

Ref. No.	Part No.	Part Name	Ref. No.	Part No.	Part Name
1	74544	Steering Wheel	29	54922	Nut, Keps 5/16-18
2	74572	Insert Cap	30	74531	Shifter Gate
3	50830	Nut, Lock 1/2-20	31	74560	Decal - Shift
4	53632	Washer, Flat Steel .531-1 X .063	32	74601	Decal-Side Panel (L.H.-R.H.)
5	72705	Steering Shaft Cover	33	74561	Decal-Brake Control
6	74565	Steering Shaft - Upper	34	74512	Decal-Engine Area
7	74582	Steering Shaft Extension	35	72926	Battery Holder
8	69902	Bolt, Hex Head 1/4-20 X 1 1/4	36	73319	Wing Head Stud
9	63601	Nut, Lock 1/4-20	37	73320	Receptacle
10	74523	Console Assembly	38	73321	Split Ring
11	71263	Screw, Thread Cutting 5/16-18 X 1/2	39	72907	Blade Brake Rod
12	71673	Flange Cap	40	74544	Bolt Keeper
13	55862	Knob	41	53018	Idler Pulley
14	75122	Decal-Operating Instructions	42	74613	Spring Arm
15	74558	Decal-Instruction	43	51961	Nut, Lock 3/8-16
16	74563	Seat Assembly	44	75045	Spring
17	75070	Decal - Seat	45	74538	Blade Clutch Lever
18	74563	Front Panel	46	71246	Grip
19	72639	Bolt, Shoulder (Special) 1/2-13	47	74539	Handle Bracket
20	18810	Washer, Lock - 1/2"	48	75339	Control Arm Assembly
21	53034	Washer, Flat Steel .531-1.187 X .127	49	62336	Nut, Lock 3/8-16
22	74537	Remote Control Assembly (Incl. Ref. 123)	50	67510	Washer, Flat Steel .390-5/8 X .090
23	61159	Knob - Remote Control	51	74559	Decal-Enter and Exit
24	74534	Side Panel - R.H.	52	74557	Decal-Brake Instruction
25	74532	Side Panel - L.H.	53	68306	Decal-Clutch and Brake
26	68346	Screw, Self-Topping 1/4-20 X 3/4	54	74542	Idler Support Bracket
27	71949	Screw, Machine Hex Head 5/16-18 X 3/4	55	51630	Bolt, Carriage 5/16-18 X 3/4
28	52915	Washer, Flat Steel .328-1.125 X .063	56	74543	Idler Arm
			57	67665	Foot Pad
			58	67189	Foot Pedal Plate
			59	67613	Bolt, Carriage 5/16-18 X 3/4
			60	72384	Floor Board Pad

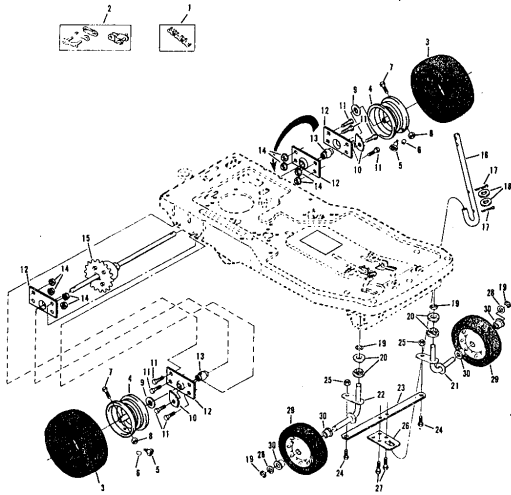
ROPER 32" REAR ENGINE RIDING LAWN MOWER ELECTRIC START 8.0 H.P. MODEL NUMBER K8327AR



ROPER 32" REAR ENGINE RIDING LAWN MOWER ELECTRIC START 8.0 H.P. MODEL NUMBER K8327AR

Ref. No.	Part No.	Part Name	Ref. No.	Part No.	Part Name
1	70530	Tow Hitch - Eyebolt	24	72360	Foot Pedal Clamp
2	55615	Nut, Keps 3/8-16	25	54262	Screw, Machine Hex W/Washer 5/16-18 X 5/8
3	74514	Chassis Assembly	26	72387	Foot Pedal
4	74524	Number Plate	27	67174	Motion Idler
5	61000	Plastic Rivet	28	58855	Bolt, Shoulder (Special) 5/16-24
6	75264	Lever Arm Assembly	29	67725	Washer, Flat Steel .531-1 X .134
7	75265	Side Bracket	30	54928	Nut, Lock 5/16-24
8	55912	Screw, Hex Head 3/8-16 X 3/4	31	73275	Spring - Idler
9	51630	Screw, Hex Head 5/16-18 X 3/4	32	58018	Pulley - Idler
10	53748	Washer, Flat Steel .640-1 X .063	33	55918	Screw, Hex Head 3/8-16 X 1 1/2
11	52364	E-Ring 5/8 Shaft	34	51961	Nut, Hex Lock 3/8-16
12	54922	Nut, Keps 5/16-18	35	67346	V-Belt
13	74545	Parallel Bar	36	72357	Front Member Assembly
14	67394	Bolt, Shoulder 5/16-18 X 3/4	37	72375	Lifter Bracket
15	63124	Nut, Lock 5/16-18	38	74516	Ballcrank Bracket
16	72386	Brake Rod - Rear	39	63079	Bolt, Carriage 5/16-18 X 1
17	64284	Spring	40	74572	Drive Lock Pin Type B
18	2947	Cotter Pin - 3/4	41	74522	Ballcrank
19	62355	Spring	42	73446	Drive Lock Pin Type F
20	74527	Lifter Handle	43	68475	Bolt, Shoulder 5/16-18 X 3/4
21	72361	Parking Brake Rod			
22	63640	Cotter Pin - 3/4			
23	72393	Motion Clutch and Brake Rod			

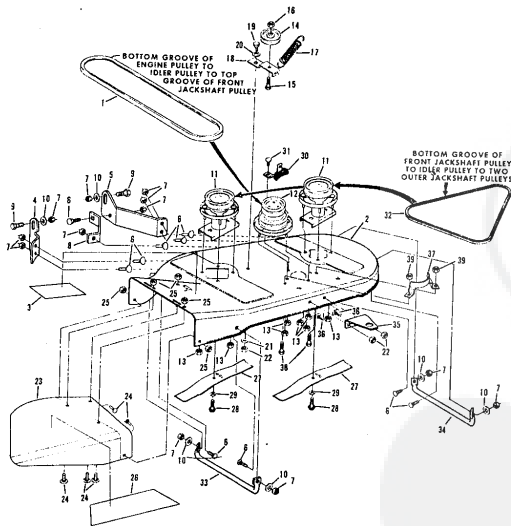
ROPER 32" REAR ENGINE RIDING LAWN MOWER ELECTRIC START 8.0 H.P. MODEL NUMBER K8327AR



ROPER 32" REAR ENGINE RIDING LAWN MOWER ELECTRIC START 8.0 H.P. MODEL NUMBER K8327AR

Ref. No.	Part No.	Part Name	Ref. No.	Part No.	Part Name
1	72818	Chain - 41 (82 Pitches)	17	2655	Cutter Pin - 1/8
2	60474	Repair Link Kit (Incl. Offset and Connecting Link)	18	57911	Washer, Flat Steel .640-1.250 X .063
3	70302	Tire - 13/8.00 X 4 (R.R.-L.R.)	19	53264	E-Ring 5/8 Shaft
4	70301	Rim (R.R.-L.R.)	20	71208	Bushing
5	65139	Valve Stem (R.R.-L.R.)	21	72401	Kingpin - L.H.
6	59192	Valve Cup (R.R.-L.R.)	22	72400	Kingpin - R.H.
7	67349	Bolt, Hex Head 5/16-18 X 1 5/8 (R.R.-L.R.)	23	73358	Tie Bar
8	67818	Nut, Lock 5/16-18 (R.R.-L.R.)	24	55855	Bolt, Shoulder (Special) 5/16-24 (R.F.-L.F.)
9	52966	Washer, Flat Steel .765-1.250 X .060 (R.R.-L.R.)	25	68990	Nut, Lock 5/16-24 (R.F.-L.F.)
10	67703	Chain Adjuster	26	72359	Steering Plate
11	51447	Screw, Hex Head 5/16-18 X 7/8 (R.R.-L.R.)	27	71063	Screw, Hex Head Thread Cutting 5/16-18 X 1/2
12	72382	Bearing Cup (R.R.-L.R.)	28	53848	Washer, Flat Steel .630-1 X .031
13	62346	Bearing (R.R.-L.R.)	29	67350	Wheel and Tire Assembly 10.50 X 3.50 (R.F.-L.F.) (Incl. Ref. #30)
14	54522	Nut, Keps 5/8-18 (R.R.-L.R.)			
15	73523	Differential Assembly (See Page 28)			
16	72547	Steering Shaft	30	64906	Bearing (R.F.-L.F.)

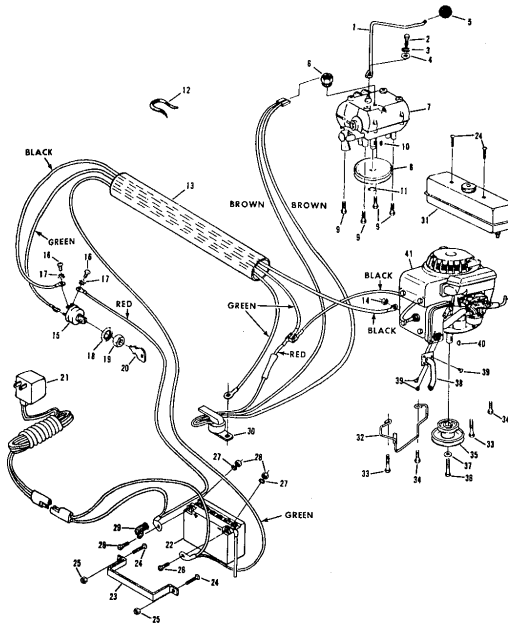
ROPER 32" REAR ENGINE RIDING LAWN MOWER ELECTRIC START 8.0 H.P. MODEL NUMBER K8327AR



ROPER 32" REAR ENGINE RIDING LAWN MOWER ELECTRIC START 8.0 H.P. MODEL NUMBER K8327AR

Ref. No.	Part No.	Part Name	Ref. No.	Part No.	Part Name
1	74212	V-Belt	20	67356	Washer, Flat Steel .630-1 X .050
2	79276	Housing W/Slit Screwing W/Decal (Incl. Ref. #3)	21	55611	Washer, Flat Steel .405-.860 X .172
3	75382	Decal - Housing	22	62336	Nut, Lock 3/8-16
4	74551	Housing Lifter - R.H.	23	71596	Discharge Guard
5	74552	Housing Lifter - L.H.	24	73383	Bolt, Carriage 1/4-20 X 5/8
6	59476	Bolt, Carriage 5/16-18 X 3/4	25	65001	Nut, Lock 1/4-20
7	63124	Nut, Lock 5/16-18	26	75085	Decal - Discharge Guard
8	74553	Strip	27	67405	Blade
9	58909	Bolt, Shoulder (Special) 5/16-18	28	67676	Screw, Machine Hex Head 3/8-24 X 7/8
10	50806	Washer, Flat Steel .328-.750 X .063	29	67354	Washer, Flat Steel .390-2.38 X .156
11	69542	Jackshaft Assembly - Driven	30	68107	Brake Assembly
12	69542	Jackshaft Assembly - Driver	31	73609	Bolt, Hex Head 3/8-16 X 5/8
13	55615	Nut, Keps 3/8-16	32	67398	V-Belt
14	67400	Idler Pulley	33	74548	Skid - R.H.
15	55918	Screw, Hex Head W/Lock Washer 3/8-16 X 1 1/2	34	74549	Skid - L.H.
16	51961	Nut, Lock 3/8-16	35	74550	Mower Support
17	67401	Spring	36	61306	Bolt, Carriage 3/8-16 X 3/4
18	67399	Idler Arm	37	67404	Bolt Knob
19	62361	Bolt, Shoulder (Special) 3/8-16	38	54982	Screw, Hex Head 5/16-18 X 3/4
			39	54922	Nut, Keps 5/16-18

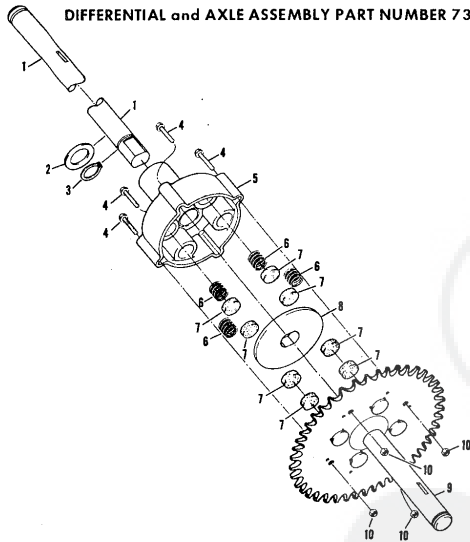
ROPER 32" REAR ENGINE RIDING LAWN MOWER ELECTRIC START 8.0 H.P. MODEL NUMBER K8327AR



ROPER 32" REAR ENGINE RIDING LAWN MOWER ELECTRIC START 8.0 H.P. MODEL NUMBER K8327AR

Ref. No.	Part No.	Part Name	Ref. No.	Part No.	Part Name
1	75266	Shift Lever	24	58609	Screw, Machine 1/4-20 X 5/8
2	75246	Bolt, Hex Head 1/4-28 X 1/2	25	63601	Nut, Lock 1/4-20
3	5081	Washer, Lock 1/4	26		Screw, Hex Head 1/4-20
4	53847	Washer, Flat Steel .265-.750 X .063	27		(Furnished With Battery Pack)
5	55862	Knob	28		Washer, Lock 1/4-20
6	74525	Switch - Transmission	29		(Furnished With Battery Pack)
7	794212	Knob	29	64422	Terminal Block
		Transmission Assembly Model 145-719 (See Pages 30 and 31)	30	74530	Switch - Relay Module
8	73541	Pulley - Transmission	31	74099	Fuel Tank
9	54262	Screw, Machine Hex Head 5/16-18 X 7/8	32	72392	Belt Keeper
10	58349	Key, Woodruff #9	33	74996	Screw, Thread Form 5/16-18 X 1
11	65302	Retainer Ring 5/8 Shaft	34	55187	Screw, Hex Head Topping 5/16-18 X 3/4
12	43174	Wire Tie	35	72388	Engine Pulley
13	74535	Wire Harness	36	68274	Screw, Machine 3/8-24 X 1 3/8
14	53490	Nut, Lock 1/4-20	37	62735	Washer, Flat Steel .375-1.250 X .201
15	72841	Ignition Switch (Incl. Ref. #16, 17, 18, 19, 20)	38	75063	Exhaust Tube
16	67756	Screw, #10-32 X .31	39	36462	Screw, #8 Type AB X 3/8
17	67757	Washer, Lock Internal Tooth #10	40	32859	Key, Woodruff #61
18	67758	Washer, Lock Internal Tooth 5/8	41		Engine Model-WM80-15010SD (Cummins Products Company) (8.0 H.P.)
19	67759	Nut, Hex 5/8-32		74569	Parts List - Owner's Manual
20	67760	Key Set (Pair)			
21	70452	Battery Charger			
22	70451	Battery Pack			
23	72706	Battery Strap			

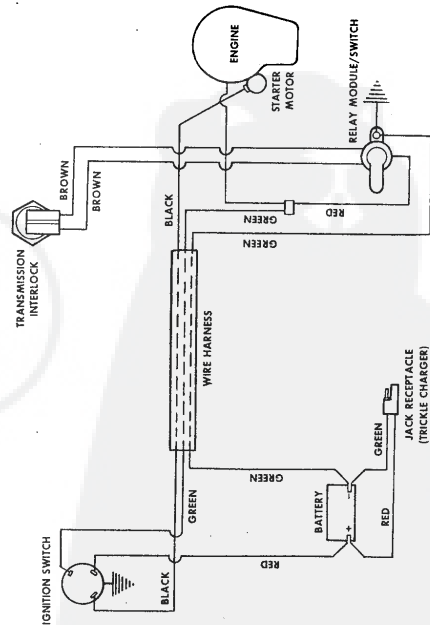
ROPER 32" REAR ENGINE RIDING LAWN MOWER ELECTRIC START 8.0 H.P. MODEL NUMBER K8327AR
DIFFERENTIAL and AXLE ASSEMBLY PART NUMBER 73523



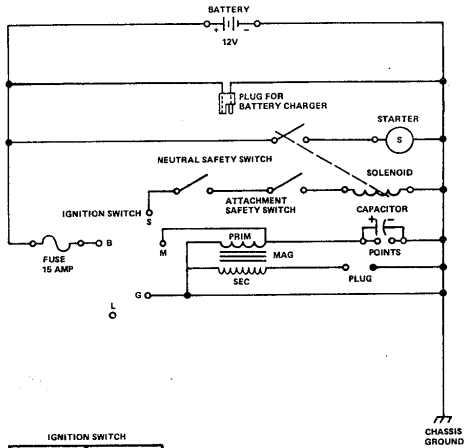
Ref. No.	Part No.	Part Name	Ref. No.	Part No.	Part Name
1	79099	Slip Axle	5	79022	Housing W/Bearings
2	78982	Washer, Thrust .751-1.250 X .0478	6	78979	Spring
3	35586	Retaining Ring	7	78978	Friction Block
4	79017	Screw, Machine Torx Head 5/16-24 - 2	8	78976	Drive Disc
			9	79100	Fixed Axle Assembly
			10	79018	Nut, Lock 5/16-24

WIRING DIAGRAM

ROPER 32" REAR ENGINE RIDING LAWN MOWER ELECTRIC START 8.0 H.P. MODEL NUMBER K8327AR



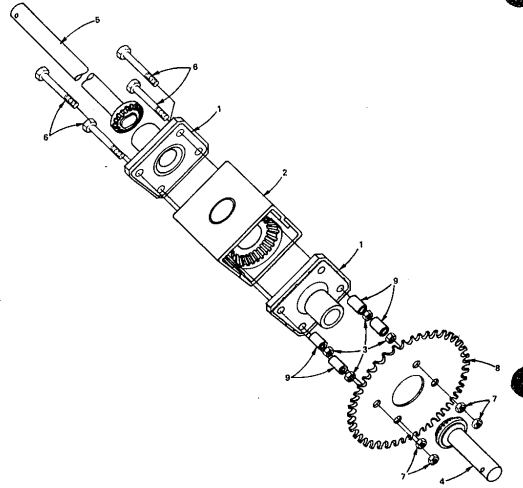
32" REAR ENGINE RIDING LAWN MOWER-MODEL NUMBER K8327BR
SCHEMATIC DIAGRAM



IGNITION SWITCH	
POSITION	CIRCUIT
OFF	M-G
ON	B-L
START	B-S

REPAIR PARTS

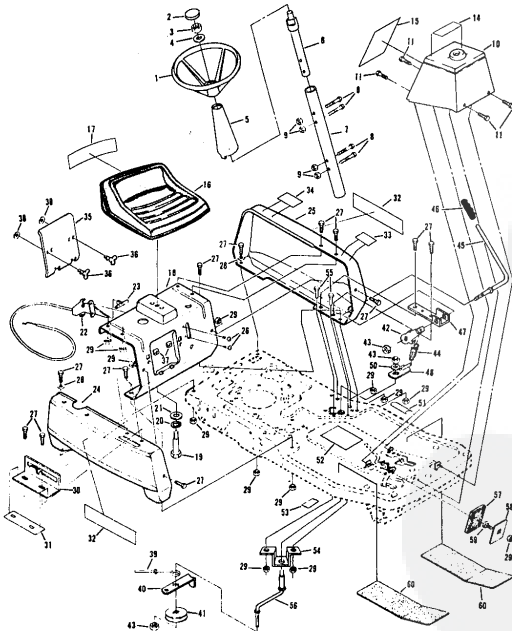
32" REAR ENGINE RIDING LAWN MOWER-MODEL NUMBER K8327BR
DIFFERENTIAL ASSEMBLY PART NUMBER 2112J



KEY NO.	PART NO.	DESCRIPTION
1	2308J	End Cap - Bearing Assembly
2	2305J	Transfer Gear Case Assembly
3	504P	Hex Nut - 5/16 - 18 UNC
4	2310J	Gear Shaft Assembly - Right
5	2311J	Gear Shaft Assembly - Left
6	338P	Hex Bolt (Plated) 5/16 - 18 x 4 - 1/2
7	575P	Locknut - Grippo 5/16 - 18 UNC (Plated)
8	2312J	Sprocket
9	2313J	Sprocket

REPAIR PARTS

32" REAR ENGINE RIDING LAWN MOWER-MODEL NUMBER K8327BR
STEERING AND ENCLOSURE GROUP



REPAIR PARTS

32" REAR ENGINE RIDING LAWN MOWER-MODEL NUMBER K8327BR
STEERING AND ENCLOSURE GROUP

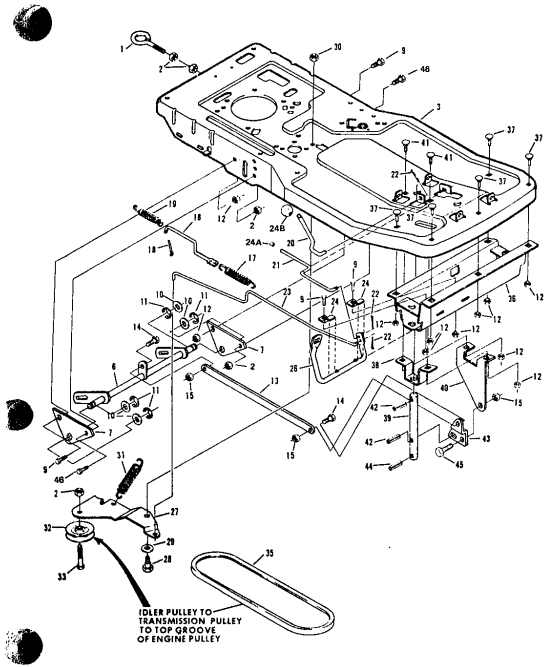
KEY NO.	PART NO.	DESCRIPTION	KEY NO.	PART NO.	DESCRIPTION
1	7456A	Steering Wheel	30	74531	Shifter Gate
2	1114J	Insert Cap	31	74560	Decal - Shift
3	588P	*Jam Nut 1/2 - 20 UNF	32	74601	Decal - Roper
4	1545P	Washer 17/32 x 1 x 16 Ga.	33	74501	Decal - Blade Control
5	72705	Steering Shaft Cover	34	74512	Decal - Engine Area
6	74505	Steering Shaft - Upper	35	72926	Battery Holder
7	74682	Steering Shaft Extension	36	73319	Wing Head Stud
8	3255P	*Bolt, Hex 1/4 - 20 x 1 - 1/4 G. 5	37	23220	Biscanale
9	588P	Locknut with Washer Insert 1/4 - 20 UNC	38	73321	Split Ring
10	74523	Console Assembly	39	72987	Blade Brake Rod
11	3383P	Screw, Hex Thread Rolling 5/16 - 18 x 1/2	40	74544	Bolt Keeper
14	75122	Decal - Operating Instructions	41	53018	Idler Pulley
15	74558	Decal - Instruction	42	74513	Spring Arm
16	1498J	Seat	43	545P	*Locknut - Grippo 3/8 - 16 UNC
17	75070	Decal - Seat	44	75045	Spring
18	74563	Front Panel	45	74538	Blade Clutch Lever
19	72639	Bolt, Shoulder 1/2 - 13 UNC	46	71246	Grip
20	1002P	*Lockwasher 1/2	47	74539	Handle Bracket
21	1625P	Washer 17/32 x 1 - 3/16 x 12 Ga.	48	75330	Control Arm Assembly
22	1544J	Throttle Control (See Key No. 23)	50	1638P	Washer 13/32 x 7/8 x 6 Ga.
23	61159	Knob - Remote Control	51	74559	Decal - Enter and Exit
24	74534	Side Panel - R.H.	52	74557	Decal - Brake Instruction
25	74532	Side Panel - L.H.	53	376J	Decal - Clutch and Brake
26	5547P	*Screw, Phillips Thuss Hd. Thread Cut 1/4 - 20 x 3/4	54	74542	Idler Support Bracket
27	3386P	Screw, Hex Washer Hd. Machine 5/16 - 18 x 3/4	55	3010P	*Bolt, Hex 5/16 - 18 x 3/4
28	1625P	Washer 17/32 x 1 - 1/8 x 16 Ga.	56	74543	Idler Arm
29	575P	*Locknut - Grippo 5/16 - 18 UNC	57	67265	Foot Pad
			58	67189	Foot Pedal Plate
			59	67613	Bolt, Carriage 5/16 - 18 x 3/4 Special
			60	72384	Floor Board Pad
			...	2086J	Fact and Warranty Tag
			...	2016I	Owner's Manual

*STANDARD HARDWARE - PURCHASE LOCALLY

REPAIR PARTS

32" REAR ENGINE RIDING LAWN MOWER-MODEL NUMBER K8327BR

CHASSIS



IDLER PULLEY TO TRANSMISSION PULLEY TO TOP GROOVE OF ENGINE PULLEY

REPAIR PARTS

32" REAR ENGINE RIDING LAWN MOWER-MODEL NUMBER K8327BR

CHASSIS

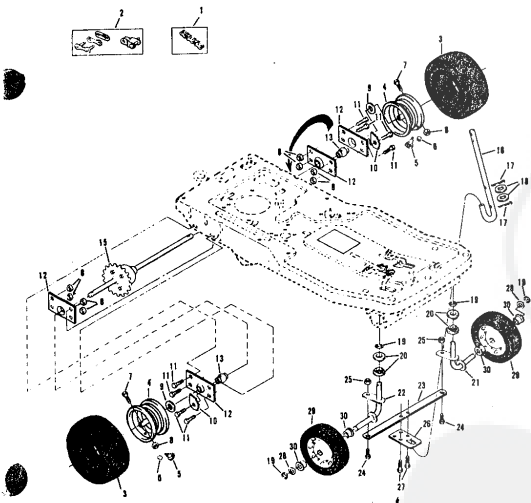
KEY NO.	PART NO.	DESCRIPTION	KEY NO.	PART NO.	DESCRIPTION
1	70530	Tow Hitch - Eyebolt	26	72387	Foot P.d.t
2	545P	*Locknut, Gripco 3/8 - 16 UNC	27	67374	Motion Filter
3	74914	Chassis	28	59595	Bolt, Shoulder 5/16 - 24 x 1/2
6	75254	Lever Arm Assembly	29	1628P	Washer 17/32 x 1 1/2 x 10 Ga.
7	75265	Side Bracket	30	588P	Nut, Nylok 5/16 - 24 UNF
9	3010P	*Bolt, Hex 5/16 - 18 x 3/4	31	2044J	Spring - Ister
10	1588P	Washer 21/32 x 1 x 16 Ga.	32	63018	Pulley - Ister
11	5001P	E-Ring	33	6066P	Bolt, Hex with Sems Lockwasher 3/8 - 16 x 1 - 1/2 V-Bolt
12	563P	*Locknut, Gripco 5/16 - 18 UNC Gr. B	35	67346	Front Member Assembly
13	24545	Parallel Bar	36	72357	*Bolt, Carriage 5/16 - 18 x 3/4 Gr. 5
14	67394	Bolt, Shoulder 5/16 - 18 x 3/4	37	67P	Lifter Bracket
15	588P	Locknut, Nylok 5/16 - 18 UNC	38	72375	Spring
16	73798	Brake Rod - Rear	39	74516	Housing Lifter
17	64284	Spring	40	74515	Bolt, Carriage 5/16 - 18 x 1 Gr. 5
18	2003P	*Cotter Pin 3/32 x 3/4	41	68P	Driver Lock Pin - Type B
19	62755	Spring	42	74530	Drive Lock Pin - Type F
20	74521	Lifter Handle	43	74522	Beltlink
21	72361	Parking Brake Rod	44	73446	Drive Lock Pin Type F
22	63646	Cotter Pin 5/64 x 3/8	45	68475	Bolt, Shoulder 5/16 - 18 x 3/4
23	72393	Motion Clutch and Brake Rod	46	3021P	Bolt, Hex 3/8 - 16 x 3/4
24	72360	Four Pinot Clamp			
24A	71823	Flange Cap			
24B	55862	Knob			

*STANDARD HARDWARE - PURCHASE LOCALLY

REPAIR PARTS

32" REAR ENGINE RIDING LAWN MOWER-MODEL NUMBER K8327BR

WHEEL GROUP



REPAIR PARTS

32" REAR ENGINE RIDING LAWN MOWER-MODEL NUMBER K8327BR

WHEEL GROUP

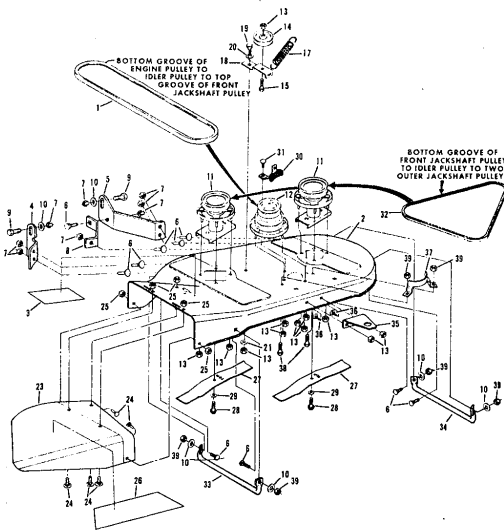
KEY NO.	PART NO.	DESCRIPTION	KEY NO.	PART NO.	DESCRIPTION
1	72818	Chain	16	72547	Steering Shaft
2	80474	Repair Link Kit (Inc. Offset and Connecting Link)	17	2606P	*Cotter Pin 1/8 x 1
3	70302	Tire 13 - 6.00 x 6	18	1628P	Washer 21/32 x 1 - 1/4 x 16 Ga.
4	70301	Rim - Rear	19	5001P	E-Ring
5	65138	Valve Stem	20	71208	Bearing
6	59192	Valve Cap	21	72401	Kingspin - L.H.
7	5386P	*Bolt, Hex 5/16 - 18 x 1 - 5/8 Gr. 5	22	72400	Kingspin - R.H.
8	653P	*Locknut, Gripco 5/16 - 18 UNC Gr. B	23	72358	Tie Bar
9	1617P	Washer 25/32 x 1 - 1/4 x 16 Ga.	24	56855	Bolt, Shoulder - Special 5/16 - 24
10	67703	Chain Adjuster	25	562P	Locknut, Hex with Washer Insert 5/16 - 24 UNF
11	6067P	Bolt, Hex with Sems Lockwasher 5/16 - 18 x 1	26	72359	Steering Plate
12	72382	Bearing Cup	27	3390B	Screw, Thread Rolling 5/16 - 18 x 1/2
13	62346	Bearing	28	1630P	Washer 21/32 x 1 x 21 Ga.
14	2112J	Differential Assembly	29	67350	Wheel and Tire Assembly 11.00 x 4.00 (Inc. Key No. 30)
			30	64906	Bearing

*STANDARD HARDWARE - PURCHASE LOCALLY

REPAIR PARTS

32" REAR ENGINE RIDING LAWN MOWER-MODEL NUMBER K8327BR

MOWER



REPAIR PARTS

32" REAR ENGINE RIDING LAWN MOWER-MODEL NUMBER K8327BR

MOWER

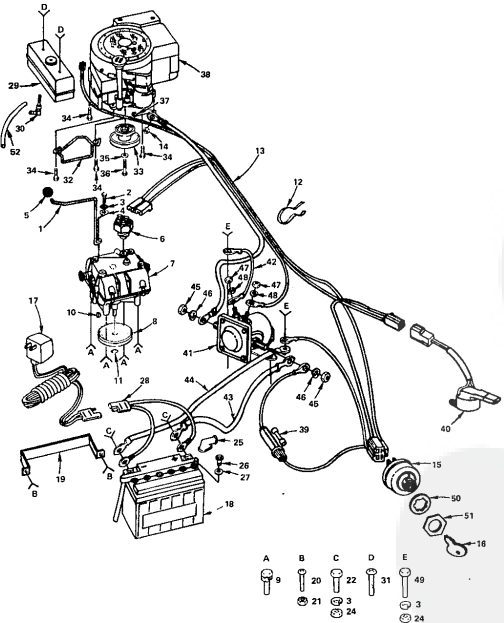
KEY NO.	PART NO.	DESCRIPTION	KEY NO.	PART NO.	DESCRIPTION
1	74212	V-Belt	21	1622P	Washer, 13/32 x 7/8 x 7 Ga.
2	75203	Housing with Silk Screening	22	71596	Discharge Guard
3	75382	Decal - Outer Head	24	70P	*Bolt, Carriage 1/4 - 20 x 3/4 Gr. 5
4	74551	Housing Lifter - R.H.	25	560P	Locknut, Gripco 1/4 - 20 UNC
5	74552	Housing Lifter - L.H.	26	75085	Decal - Discharge Guard
6	69P	*Bolt, Carriage 5/16 - 18 x 3/4 Gr. 5	27	67405	Blade
7	690P	Locknut, Nylon 5/16 - 18 UNC	28	6060P	Screw, Hex Machine w/Semis Lockwasher
8	74553	Strap	29	1631P	Nylon Patch 3/8 - 24 x 7/8 Gr. 5
9	5690B	Bolt, Shoulder - Special	30	88107	Washer, 13/32 x 2 - 3/8 x 10 Ga.
10	5980B	*Washer 11/32 x 3/4 x 16 Ga.	31	1631P	Brake Assembly
11	71633	Jackshaft Assembly - Driven	32	8021P	*Bolt, Hex 3/8 - 16 x 3/4
12	6925	Jackshaft Assembly - Driver	33	74548	V-Belt
13	545P	Locknut, Gripco 3/8 - 16 UNC	34	74548	Skid - R.H.
14	67400	Idler Pulley	35	74550	Skid - L.H.
15	6066P	Bolt, Hex with Semis Lockwasher 3/8 - 18 x 1 - 1/2	36	74550	Mower Support
16	6066P	Bolt, Hex with Semis Lockwasher 3/8 - 18 x 1 - 1/2	37	19P	*Bolt, Carriage 3/8 - 16 x 3/4
17	67401	Spring	38	8052P	Screw, Hex Head with Semis Lockwasher 5/16 - 18 x 3/4
18	67399	Idler Arm	39	553P	Washer - Special
19	62361	Bolt, Shoulder - Special			
20	67356	Washer - Special			

*STANDARD HARDWARE-PURCHASE LOCALLY

REPAIR PARTS

32" REAR ENGINE RIDING LAWN MOWER-MODEL NUMBER K8327BR

ELECTRICAL



REPAIR PARTS

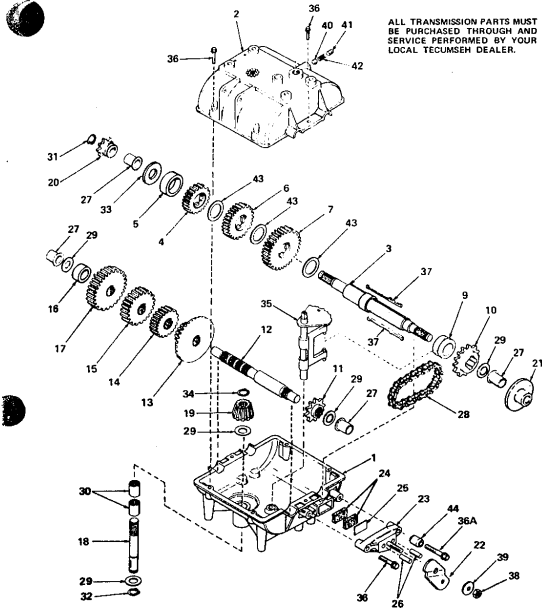
32" REAR ENGINE RIDING LAWN MOWER-MODEL NUMBER K8327BR

ELECTRICAL

KEY NO.	PART NO.	DESCRIPTION	KEY NO.	PART NO.	DESCRIPTION
28	600J	Charger Plug Assembly	29	742J	Fuel Tank
30	730J	Fuel Tank Elbow	31	3369P	Screw, Trans Hd. Phillips 1/4 - 20 x 5/8
32	677A201	Belt Keeper Assembly	32	2188J	Engine Pulley
33	2188J	Engine Pulley	34	5606P	Screw, Hex Hd. Thd. Rolling 3/8 - 18 x 1 - 1/2
35	1634P	Washer 3/8 x 1 - 1/4 x 7 Ga.	36	6070P	Screw, Hex Hd. w/Semis Lockwasher 3/8 - 24 x 1 - 3/8 Nylon Patch Gr. 5
37	65053	Key, Woodruff No. 5	38	191705	Engine, 8 H.P. Briggs & Stratton Type No. 664701
39	6347B	Fuse - 30 Amp.	40	2053J	Safety Switch
41	7754R	Solenoid	41	7754R	Solenoid
42	8021P	Wire, Solenoid Ground	42	8021P	Wire, Solenoid Ground
43	665J	Cable Assembly (Battery to Solenoid)	43	665J	Cable Assembly (Battery to Solenoid)
44	2058J	Cable Assembly (Battery to Ground)	44	2058J	Cable Assembly (Battery to Ground)
45	585P	Nut, Hex 5/16 - 24 UNF	45	585P	Nut, Hex 5/16 - 24 UNF
46	1007P	Lockwasher 5/16	46	1007P	Lockwasher 5/16
47	545P	Nut, Hex No. 10 - 32	47	545P	Nut, Hex No. 10 - 32
48	1006P	Lockwasher No. 10	48	1006P	Lockwasher No. 10
49	3003P	Bolt, Hex 1/4 - 20 x 3/4	49	3003P	Bolt, Hex 1/4 - 20 x 3/4
50	6715B	Lockwasher, Internal Tooth 5/8	50	6715B	Lockwasher, Internal Tooth 5/8
51	67759	Nut 5/8 - 32 UNF	51	67759	Nut 5/8 - 32 UNF
52	2316J	Fuel Line	52	2316J	Fuel Line

REPAIR PARTS

32" REAR ENGINE RIDING LAWN MOWER-MODEL NUMBER K8327BR
TRANSMISSION MODEL NUMBER 719A



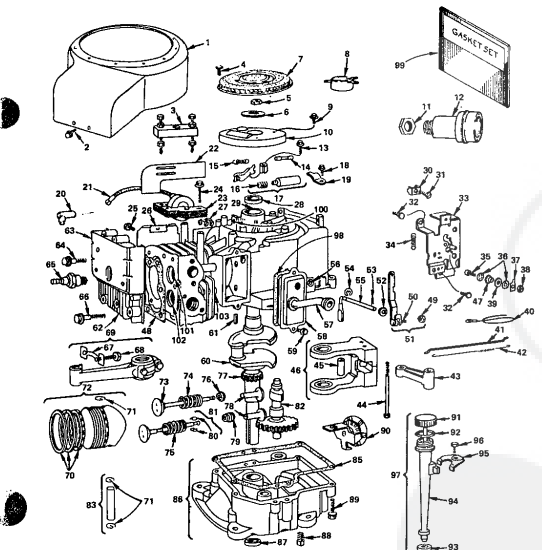
REPAIR PARTS

32" REAR ENGINE RIDING LAWN MOWER-MODEL NUMBER K8327BR
TRANSMISSION MODEL NUMBER 719A

KEY NO.	PART NO.	DESCRIPTION	KEY NO.	PART NO.	DESCRIPTION
	794212A	Complete Transmission (719A)	25	39007	Plate, Brake pad
1	770081	Case, Transmission	26	78026	Pin, Dowel
2	775070	Cover, Transmission	27	78005	Bushing, Flanged
3	716162	Shaft, Output and Brake	28	78081	Chain, Roller (No. 41 chain, 24 links)
4	778121	Gear, Spur (20 teeth)	29	78072	Race, Thrust
5	785027	Screw - Screw	30	39106	Bearing, Needle
6	778123	Gear, Spur (25 teeth)	31	792072	Ring, Retaining
7	778128	Gear, Spur (30 teeth)	32	78008	Ring, Retaining
8	754706	Collar, Shaft	33	78019	Washer
9	784853	Sprocket (18 teeth)	34	78846	Ring, Retaining
10	784853	Sprocket (18 teeth)	35	78470	Head & Fork Assy., Shift
11	785082	Sprocket (8 teeth)	36	782073	Screw, Hex hd, tapelite, 1/4" x 2-1/4"
12	776134	Shaft, Counter	36A	792085	Screw, Hex hd, tapelite, 1/4" x 2-1/4"
13	775109	Gear, Spur (42 tooth and 15 tooth spur gear)	37	792089A	Key
14	778126	Gear, Spur (20 teeth)	38	782075	Nut, 5/16" x 24 lock
15	778127	Gear, Spur (25 teeth)	39	792076	Washer, Flat, 5/16"
16	788071	Sprocket	40	792077	Ball, Steel, 5/16"
17	778129	Gear, Spur (30 teeth)	41	792078	Screw, Set, 3/16" x 3/8"
18	776135	Shaft, Input	42	792079	Spring
19	778113	Sprocket, Input	43	78016	Washer, Thrust
20	786047	Sprocket (8 teeth)	44	78607	Sprocket
21	795004	Link, Brake			
22	795005	Lever, Brake			
23	790005	Holder, Brake pad			
24	790006	Pad, Brake			

REPAIR PARTS

32" REAR ENGINE RIDING LAWN MOWER-MODEL NUMBER K8327BR
BRIGGS & STRATTON 8 H.P. ENGINE-MODEL NO. 191705, TYPE NO. 5647-01
CYLINDER, CRANKSHAFT AND ENGINE BASE GROUP



REPAIR PARTS

32" REAR ENGINE RIDING LAWN MOWER-MODEL NUMBER K8327BR
BRIGGS & STRATTON 8 H.P. ENGINE-MODEL NO. 191705, TYPE NO. 5647-01
CYLINDER, CRANKSHAFT AND ENGINE BASE GROUP

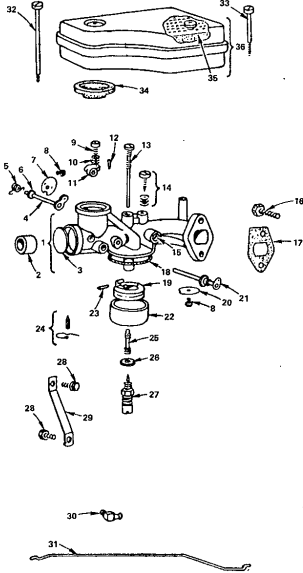
KEY NO.	PART NO.	DESCRIPTION	KEY NO.	PART NO.	DESCRIPTION
1	391379	Housing - Blower	61	61760	Key - Flywheel
2	93158	Screw - Serr	62	21286	Cylinder Head
3	18105	Pin - Flywheel	63	222536	Cover - Cylinder Head
4	93895	Screw - Serr	64	63211	Screw - 2 - 21/32"
5	92284	Nut - Flywheel	65	282918	Spark Plug Resistor
6	220855	Washer - Spring	66	83222	Screw - Connecting Rod
7	222502	Screws - Flush Retaining	67	222114	Lock - Connecting Rod Screw
8	222551	Cup - Screen Mfg	68	82559	Screw - Connecting Rod
9	93705	Screw - Serr	69	390402	Rod Assy. - Connecting
10	222117	Cover - Breaker Point	70	391699	(Inc. Key No's. 67 & 68)
11	91242	Locknut - Muffler	71	68846	RING SET - PISTON - Std.
12	393010	Muffler - Exhaust	72	391670	.010 Oversize
13	93381	Screw - Breaker Arm	73	391671	.020 Oversize
14	65704	Plunger - Breaker Point	74	65906	.030 Oversize
15	26618	Spring - Breaker Arm	75	261955	Intake Valve
16	260374	Switch - Connector	76	28278	Spring - Intake Valve
17	294028	Breaker Point & Condenser (Inc. Key No's. 15 & 16)	77	281195	Retainer - Intake Valve
18	93042	Screw - Serr	78	65905	Retainer - Exhaust Valve
19	228477	Clamp - Condenser	79	292260	Retainer - Exhaust Valve
20	65538	Elbow - Spark Plug	80	93630	Exhaust Valve (Inc. Key No. 80)
21	221798	Terminal - Ignition Cable	81	90419	Gear - Cam
22	221760	Guide - Air	82	211689	Pin Assy. - Piston (Inc. Key No. 71)
23	298968	Armature Assy.	83	295641	Pin Assy. - Piston (.005 Oversize)
24	93391	Screw - Armature	85	27750	Gasket - Crankcase Cover - 1/64" thick
25	93163	Screw - Serr	86	27876	Gasket - Crankcase Cover - .005" thick
26	222830	Shaft - Cylinder	87	27877	Gasket - Crankcase Cover - .009" thick
27	221907	Clip - Wire	88	28616	Oil Sump (Inc. Key No's. 85 and 87)
28	294606	Oil Seal	89	28423	Oil Seal
29	393075	Cylinder Assembly	90	61084	Plug - Oil Drain
30	221535	Clamp - Casing	91	83585	Screw - Serr
31	93496	Screw - Serr	92	392119	Oil Strainer - Governor
32	93572	Screw	93	391840	Cap & Dipstick - Oil Filter
33	390662	Plate - Governor Control	94	27020	Seal - Filter Cap
34	93106	Spring - Governor	95	68838	Seal - Filter Tube
35	91920	Screw - Terminal	96	201133	Tube - Oil Filter
36	92781	Lockwasher	97	222402	Clamp - Oil Filter Tube
37	93722	Terminal - Speed	98	93804	Screw - Clamp Mfg
38	90576	Hex Nut No. 8 - 32	99	392065	Filter Group - Oil (Inc. Key No's. 91, 92, 93, 94, 95 & 96)
39	66068	Washer - Insulating	100	29577	Gasket Set
40	299500	Wire - Ground	101	22515	Bushing - Plunger
41	359911	Link - Governor	102	211681	Seal - Intake Valve (Std.)
42	260584	Spring - Governor Link	102	211681	Seal - Exhaust Valve (Std.)
43	212259	Link - Counterweight	103	236655	Guide - Exhaust Valve
44	93874	Screw - Counterweight			
45	286009	Pin - Counterweight			
46	390172	Counterweight Assy.			
47	85554	Collar - Insulating			
48	279430	Gasket - Cylinder Head			
49	231082	Hex Nut No. 10 - 24			
50	92613	Ball - Governor Lever			
51	391733	Lever Assy. - Governor (Inc. Key No's. 49 & 50)			
52	222450	Washer - Governor Lever			
53	83308	Otter - Hair Pin			
54	93207	Retainer - O-Ring			
55	231058	Crank - Governor			
56	231055	Bushing - Governor Crank			
57	280005	Breather Tube			
58	391405	Breather Assy.			
59	93536	Serr. Screw			
60	391577	Crankshaft			

*INCLUDED IN GASKET SET 299577

SPARK ARRESTER ASSEMBLY (OPTIONAL)
391913 Spark Arrester
222537 Deflector
83705 Screw (H required)

REPAIR PARTS

32" REAR ENGINE RIDING LAWN MOWER-MODEL NUMBER K8327BR
BRIGGS & STRATTON 8 H.P. ENGINE-MODEL NO. 191705, TYPE NO. 5647-01
CARBURETOR NUMBER 390811



ALL ENGINE PARTS MUST BE PURCHASED THROUGH AND SERVICE PERFORMED BY YOUR LOCAL BRIGGS AND STRATTON DEALER.

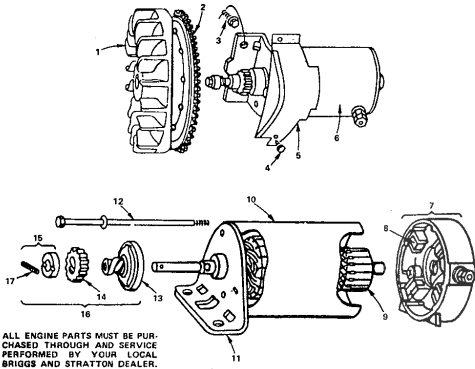
REPAIR PARTS

32" REAR ENGINE RIDING LAWN MOWER-MODEL NUMBER K8327BR
BRIGGS & STRATTON 8 H.P. ENGINE-MODEL NO. 191705, TYPE NO. 5647-01
CARBURETOR NUMBER 390811

KEY NO.	PART NO.	DESCRIPTION	KEY NO.	PART NO.	DESCRIPTION
1	209851	Body Ass'y. (Includes Key No. 3)	21	391512	Shaft & Lever - Throttle
2	211852	Venturi - Carburetor	22	221956	Bowl - Float
3	221997	*Plug - Welch	23	230806	*Pin - Float Hinge
4	390684	Shaft and Lever - Choke	24	390606	*Valve - Fuel Inlet
5	261116	Spring - Choke Return	25	230332	*Screw - Nozzle
6	270382	Washer - Choke Shaft	26	220214	*Washer - Float Bowl
7	220310	Valve - Choke	27	381235	*Valve - Needle
8	93499	Screw - Sem	28	93572	Screw
9	91920	Screw - Fil. Hd. Mach. No. 8 - 32 x 5/8	29	220237	Bracket - Carburetor
10	26157	Spring - Throttle Adjustment	30	67219	Connector - Fuel Pipe
11	211712	Stop - Throttle	31	261117	Link - Choke
12	93043	Pin - Throttle Stop	32	93323	Screw - Air Cleaner
13	299740	*Nozzle - Carburetor	33	93822	Screw - Air Cleaner
14	252681	*Valve Ass'y. - Carb. Idle	34	270539	Gasket - Air Cleaner
15	23108	Bushing - Throttle Shaft	35	270528	Element - Air Cleaner
16	93297	Screw - Carburetor Mtg.	36	391599	Air Cleaner Ass'y. (Inc. Key No. 35)
17	270824	*Gasket - Carburetor Mtg.	299852		Carburetor Overhaul Kit (Inc. Parts Marked *)
18	260511	Float - Carburetor	390811		Carburetor Assembly
19	299707	Valve - Throttle			
20	221966	Valve - Throttle			

REPAIR PARTS

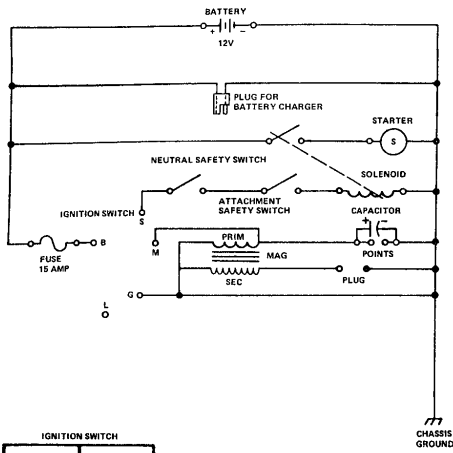
32" REAR ENGINE RIDING LAWN MOWER-MODEL NUMBER K8327BR
BRIGGS & STRATTON 8 H.P. ENGINE-MODEL NO. 191705, TYPE NO. 5647-01
FLYWHEEL AND STARTER MOTOR GROUP



ALL ENGINE PARTS MUST BE PURCHASED THROUGH AND SERVICE PERFORMED BY YOUR LOCAL BRIGGS AND STRATTON DEALER.

KEY NO.	PART NO.	DESCRIPTION
1	392034	Flywheel and Ring Gear Ass'y.
2	392134	Gear - Ring
3	93523	Screw - Sem
4	93410	Screw - Sem
5	390233	Cover & Shield - Starter
6	392749	Motor, Starter (Inc. Key No's. 7 thru 17)
7	392646	End Cap Ass'y., Commutator (Inc. Key No. 8)
8	391706	Brush Ass'y.
9	392747	Armature Ass'y.
10	392744	Housing Ass'y.
11	392063	End Cap Ass'y., Drive
12	391706	Thru Bolt Ass'y.
13	391195	Clutch Ass'y.
14	280104	Gear
15	391462	Retainer & Pin (Inc. Key No. 17)
16	391461	Drive Ass'y. (Inc. Key No's. 13, 14 & 15)
17	93754	Roll Pin

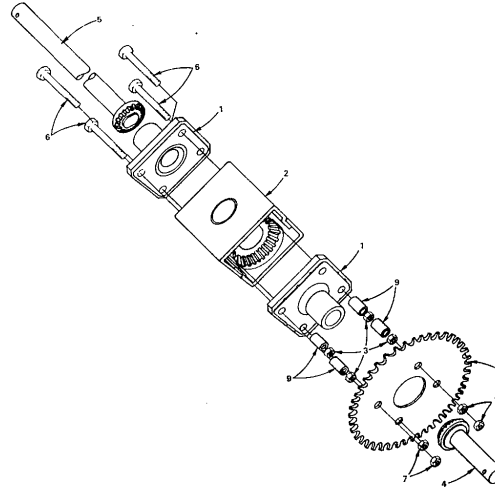
32" REAR ENGINE RIDING LAWN MOWER-MODEL NUMBER K8327CR
SCHEMATIC DIAGRAM



IGNITION SWITCH	
POSITION	CIRCUIT
OFF	M-G
ON	B-L
START	B-S

REPAIR PARTS

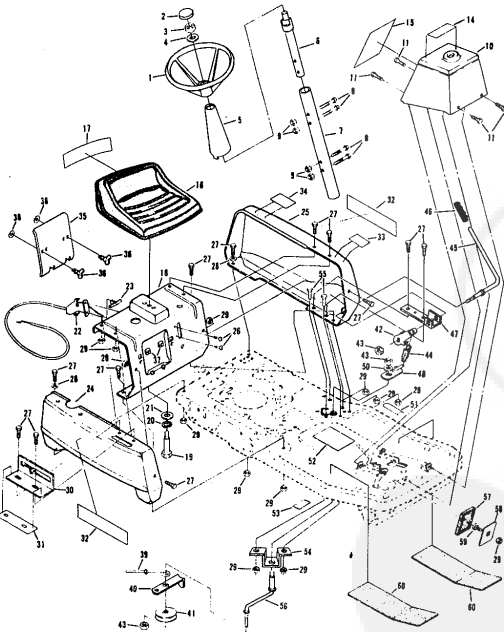
32" REAR ENGINE RIDING LAWN MOWER-MODEL NUMBER K8327CR
DIFFERENTIAL ASSEMBLY PART NUMBER 2112J



KEY NO.	PART NO.	DESCRIPTION
1	2308J	End Cap - Bearing Assembly
2	2308J	Transfer Gear Case Assembly
3	504P	Hex Nut - 5/16 - 18 UNC
4	2310J	Gear Shaft Assembly - Right
5	2311J	Gear Shaft Assembly - Left
6	3280P	Hex Bolt (Plated) 5/16 - 18 x 4 - 1/2
7	575P	Locknut - Gripco 5/16 - 18 UNC (Plated)
8	2312J	Sprocket
9	2313J	Spacer - Sprocket

REPAIR PARTS

32" REAR ENGINE RIDING LAWN MOWER-MODEL NUMBER K8327CR
STEERING AND ENCLOSURE GROUP



REPAIR PARTS

32" REAR ENGINE RIDING LAWN MOWER-MODEL NUMBER K8327CR
STEERING AND ENCLOSURE GROUP

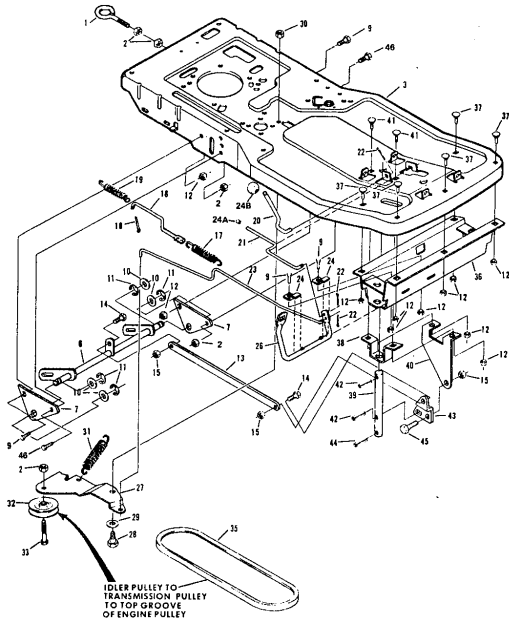
KEY NO.	PART NO.	DESCRIPTION	KEY NO.	PART NO.	DESCRIPTION
1	74564	Steering Wheel	30	74531	Shifter Gate
2	1114J	Insert Cap	31	74580	Decal - Shift
3	558P	*Jam Nut 1/2 - 20 UNF	32	74501	Decal - Roper
4	1545P	Washer 17/32 x 1 x 16 Ga.	33	74581	Decal - Blade Control
5	7270S	Steering Shaft Cover	34	74512	Decal - Engine Area
6	74556	Steering Shaft - Upper	35	7292B	Battery Holder
7	74562	Steering Shaft Extension	36	72319	Wing Head Stud
8	3255P	*Bolt, Hex 1/4 - 20 x 1 - 3/4 Gr. 5	37	73320	Recusacle
9	585P	Locknut with Washer Insert 1/4 - 20 UNC	38	73321	Suit Ring
10	74522	Console Assembly	39	72987	Blade Brake Rod
11	3390P	Screw, Hex, Thread Rolling 5/16 - 18 x 1/2	40	74544	Belt Keeper
14	75122	Decal - Operating Instructions	41	52018	Idler Pulley
15	74558	Decal - Instruction	42	74613	Spring Arm
16	1405J	Seat	44	75045	Locknut - Gripco 3/8 - 16 UNC
17	75070	Decal - Seat	45	74538	Blade Clutch Lever
18	74963	Front Panel	46	71248	Grip
19	72638	Bolt, Shoulder 1/2 - 13 UNC (Inc. Key No. 23)	47	74539	Handle Bracket
20	1000P	*Lockwasher 1/2	48	75339	Control Arm Assembly
21	1625P	Washer 17/32 x 1 - 3/16 x 12 Ga.	50	1636P	Washer 13/32 x 7/8 x 6 Ga.
22	1544J	Throttle Control	51	74559	Decal - Enter and Exit
23	61159	*Screw, Phillips Truss Hd. Thread Cut 1/4 - 20 x 3/4	52	74557	Decal - Brake Instruction
24	74534	Side Panel - R.H.	53	376J	Decal - Clutch and Brake
25	74522	Side Panel - L.H.	54	74542	Idler Support Bracket
26	5547P	*Screw, Phillips Truss Hd. Thread Cut 1/4 - 20 x 3/4	55	3010P	*Bolt, Hex 5/16 - 18 x 3/4
27	3386P	Screw, Hex Washer Hd. Machine 5/16 - 18 x 3/4	56	74643	Idler Arm
28	1626P	Washer 17/32 x 1 - 1/8 x 16 Ga.	58	67189	Foot Pedal Plate
29	575P	*Locknut - Gripco 5/16 - 18 UNC	59	67613	Bolt, Carriage 5/16 - 18 x 3/4 Special
			60	72384	Floor Board Pad
				2079J	Owners Manual

STANDARD HARDWARE-PURCHASE LOCAL

REPAIR PARTS

32" REAR ENGINE RIDING LAWN MOWER-MODEL NUMBER K8327CR

CHASSIS



REPAIR PARTS

32" REAR ENGINE RIDING LAWN MOWER-MODEL NUMBER K8327CR

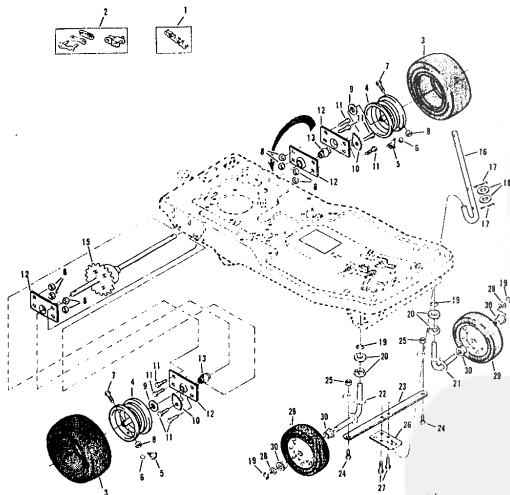
CHASSIS

KEY NO.	PART NO.	DESCRIPTION	KEY NO.	PART NO.	DESCRIPTION
1	70630	Tow Hitch - Eyebolt	28	72387	Foot Pedal
2	5469	*Locknut, Gripco 3/8 - 16 UNC	27	67114	Motion Idler
3	74514	Chassis	28	58855	Bolt, Shoulder 5/16 - 24 x 1/2
6	75284	Lever Arm Assembly	29	1828P	Washer 13/32 x 1 - 1/2 x 10 Ga.
7	75285	Sole Bracket	30	586P	Nut, Nylon 5/16 - 24 UNF
9	3010P	*Bolt, Hex 5/16 - 18 x 3/4	31	2044J	Spring - Idler
10	1580P	Washer 21/32 x 1 x 18 Ga.	32	53018	Pulley - Idler
11	5001P	E-Ring	33	6066P	Bolt, Hex with Sems Lockwasher 3/8 - 18 x 1 - 1/2
12	553P	*Locknut, Gripco 5/16 - 18 UNC Gr. B	35	67348	V Bolt
13	74545	Parallel Bar	36	72357	Front Member Assembly
14	67394	Bolt, Shoulder 5/16 - 18 x 3/4	37	67P	Bolt, Carriage 5/16 - 18 x 3/4 Gr. 5
15	580P	Locknut, Nylon 5/16 - 18 UNC	38	72375	Lifter Bracket
16	73798	Brake Rod - Rear	39	74516	Housing Lifter
17	64294	Spring	40	74515	Ballcrank Bracket
18	2503P	*Cotter Pin 3/32 x 3/4	41	68P	Bolt, Carriage 5/16 - 18 x 1 Gr. 5
19	82755	Spring	42	74576	Drive Lock Pin - Type B
20	74527	Lifter Handle	43	74522	Ballcrank
21	72361	Parking Brake Rod	44	24648	Drive Lock Pin Type F
22	53840	Cotter Pin 5/64 x 3/4	45	68475	Bolt, Shoulder 5/16 - 18 x 3/4
23	72383	Motion Clutch and Brake Rod	46	5021P	Bolt, Hex 5/16 - 18 x 3/4
24	72360	Foot Pedal Clamp			*STANDARD HARDWARE-PURCHASE LOCALLY
24A	71673	Plunger Cap			
24B	55862	Knob			

REPAIR PARTS

32" REAR ENGINE RIDING LAWN MOWER-MODEL NUMBER K8327CR

WHEEL GROUP



REPAIR PARTS

32" REAR ENGINE RIDING LAWN MOWER-MODEL NUMBER K8327CR

WHEEL GROUP

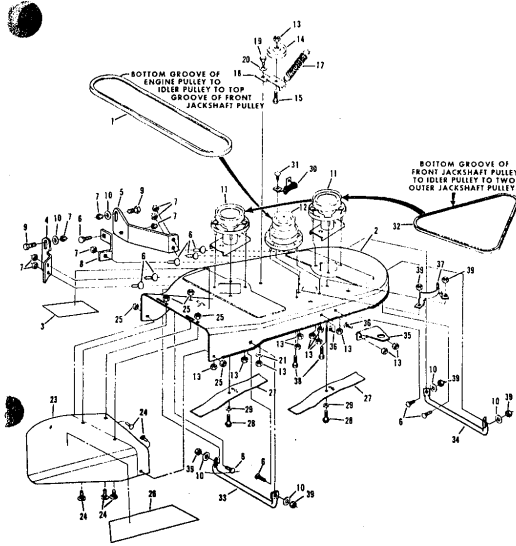
KEY NO.	PART NO.	DESCRIPTION	KEY NO.	PART NO.	DESCRIPTION
1	72818	Chain	18	72547	Steering Shaft
2	60474	Repair Link Kit (Inc. Offset and Connecting Links)	17	2506P	*Cotter Pin 1/8 x 1
3	70302	Tire 13 - 5.00 x 6	16	1623P	Washer 21/32 x 1 - 1/4 x 16 Ga.
4	70301	Rim - Rear	19	6001P	E-Ring
5	65129	Valve Stem	20	71208	Bearing
6	58132	Valve Cap	21	72401	Kingpin - L.H.
7	3395P	*Bolt, Hex 5/16 - 18 x 1 - 5/8 Gr. 5	22	72400	Kingpin - R.H.
8	553P	*Locknut, Gripco 5/16 - 18 UNC Gr. B	23	72358	Tie Bar
9	1617P	Washer 25/32 x 1 - 1/4 x 16 Ga.	24	58855	Bolt, Shoulder - Special 5/16 - 24
10	67703	Chain Adjuster	25	582P	Locknut, Hex with Washer Insert 5/16 - 24 UNF
11	6067P	*Bolt, Hex with Sems Lockwasher 5/16 - 18 x 1	26	72359	Steering Plate
12	72382	Bearing Cup	27	3393P	Screw, Thread Rolling 5/16 - 18 x 1/2
13	62348	Bearing	28	1830P	Washer 21/32 x 1 x 21 Ga.
15	2112J	Differential Assembly	29	67350	Wheel and Tire Assembly 11.00 x 4.00 (Inc. Key No. 30)
			30	64906	Bearing

*STANDARD HARDWARE-PURCHASE LOCALLY

REPAIR PARTS

32" REAR ENGINE RIDING LAWN MOWER—MODEL NUMBER K8327CR

MOWER



REPAIR PARTS

32" REAR ENGINE RIDING LAWN MOWER—MODEL NUMBER K8327CR

MOWER

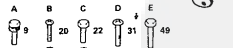
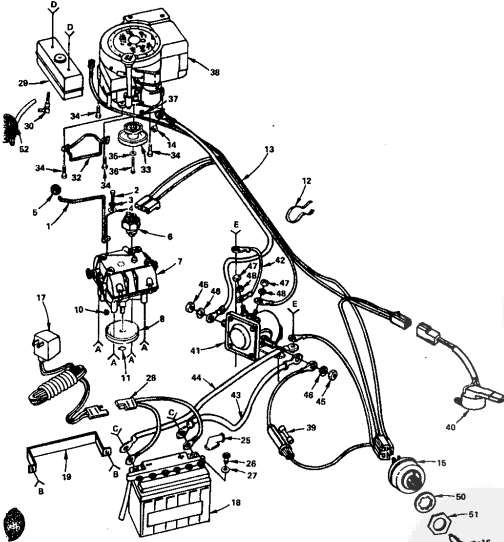
KEY NO.	PART NO.	DESCRIPTION	KEY NO.	PART NO.	DESCRIPTION
1	74212	V Belt	21	1622P	Washer, 13/32 x 7/8 x 7 Ga.
2	78293	Housing with Silk Screening	23	71596	Discharge Guard
3	76382	Decal - Cutter Head	24	70P	*Bolt, Carriage 1/4 - 20 x 3/4 Gr. 5
4	79521	Housing Lifter - R.H.	26	5699P	Locknut, Gripco 1/4 - 20 UNC
5	74552	Housing Lifter - L.H.	28	75485	Decal - Discharge Guard
6	67P	*Bolt, Carriage 5/16 - 18 x 3/4 Gr. 5	27	67405	Blank
7	588P	Locknut, Nylon 5/16 - 18 UNC	28	6062P	Screw, Hex Machine w/Sems Lockwasher
8	74553	Strip	29	1631P	Nylon Patch 3/8 - 24 x 7/8 Gr. 5
9	5880B	Bolt, Shoulder - Special	30	88107	Washer 1/2 x 2 - 3/8 x 10 Ga.
10	50806	Washer 1 1/2 x 3/4 x 16 Ga.	31	5021P	Brake Assembly
11	71033	Jackshaft Assembly - Driver	32	67398	*Bolt, Hex 3/8 - 16 x 3/4
12	69522	Jackshaft Assembly - Driver	33	74548	V-Bolt
13	545P	Locknut, Gripco 3/8 - 16 UNC	34	74548	Skid - R.H.
14	67400	Idler Pulley	35	74550	Mower Support
15	6066P	Bolt, Hex with Sems Lockwasher 3/8 - 16 x 1 - 1/2	36	189P	*Bolt, Carriage 3/8 - 16 x 3/4
17	67401	Spring	37	67404	Bolt Snubber
18	67299	Idler Arm	38	6052P	Screw, Hex Head with Sems Lockwasher 5/16 - 18 x 3/4
19	62361	Bolt, Shoulder - Special	39	553P	Locknut, Gripco 5/16 - 18 UNC
20	67356	Washer - Special			

*STANDARD HARDWARE—PURCHASE LOCALLY

REPAIR PARTS

32" REAR ENGINE RIDING LAWN MOWER—MODEL NUMBER K8327CR

ELECTRICAL



REPAIR PARTS

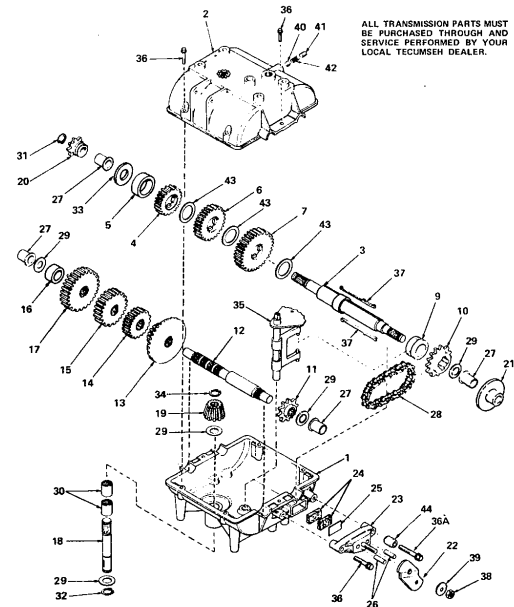
32" REAR ENGINE RIDING LAWN MOWER—MODEL NUMBER K8327CR

ELECTRICAL

KEY NO.	PART NO.	DESCRIPTION	KEY NO.	PART NO.	DESCRIPTION
1	75266	Shift Lever	28	600J	Charger Plug Assembly
2	3388P	Bolt, Hex 1/4 - 28 x 1/2 Gr. 5	29	742J	Fuel Tank
3	1600P	Lockwasher 1/4	30	739J	Fuel Tank Elbow
4	1507P	Washer 3/32 x 3/4 x 16 Ga.	31	3358P	Screw, Truss Hd, Phillips 1/4 - 20 x 5/8
5	55882	Knob	32	677A201	Belt Keeper Assembly
6	74525	Switch - Transmission	33	2186J	Engine Pulley
7	794212A	Transmission Assembly (719A)	34	6608P	Screw, Hex Hd, Twd, Rolling 3/8 - 16 x 1 - 1/2
8	72541	Pulley - Transmission	35	1634P	Washer 3/8 x 1 - 1/4 x 7 Ga.
9	6069P	Bolt w/Sems Lockwasher 5/16 - 18 x 5/8	36	6070P	Screw, Hex Hd, w/Sems Lockwasher 3/8 - 24 x 1 - 3/8 Nylon Patch Gr. 5
10	58349	Key, Woodruff No. 6	37	65053	Key, Woodruff No. 6
11	65302	Retaining Ring	38	191705	Engine, 8 H.P. Briggs & Stratton Type No. 6547-01
12	43174	Wax Tie	39	6347R	Fuse - 30 Amp.
13	2081J	Wire Harness	40	2083J	Safety Switch
14	53496	Locknut 1/4 - 20	41	7754R	Solenoid
15	4406H	Ignition Switch	42	8027R	Wire, Solenoid Ground
16	7552H	Key	43	686J	Cable Assembly (Battery to Solenoid)
17	71903	Battery Charger	44	2086J	Cable Assembly (Battery to Ground)
18	70451	Battery Pack	45	889P	Nut, Hex 5/16 - 24 UNF
19	72708	Battery Strap	46	1007P	Lockwasher 5/16
20	3337P	Screw, Truss Hd, Phillips 1/4 - 20 x 1/2 (Furnished w/Battery Pack)	47	549P	Nut, Hex No. 10 - 32
21	588P	Locknut, 1/4 - 20 UNC w/Washer Inset	48	1006P	Lockwasher No. 10
22	3114P	Screw, Hex Head 1/4 - 20 x 1/2	49	3003P	Bolt, Hex 1/4 - 20 x 3/4
23	718J	Screw, Truss Hd, Phillips 1/4 - 20 x 1/2	50	67758	Lockwasher, Internal Tooth 5/8
24	503P	Hex Nut 1/4 - 20	51	67759	Nut 5/8 - 32 UNF
25	718J	Terminal Bolt	52	2316J	Fuel Line
26	2233J	Cap - Battery			
27	2224J	Gasket - Battery			

REPAIR PARTS

32" REAR ENGINE RIDING LAWN MOWER-MODEL NUMBER K8327CR
TRANSMISSION MODEL NUMBER 719A



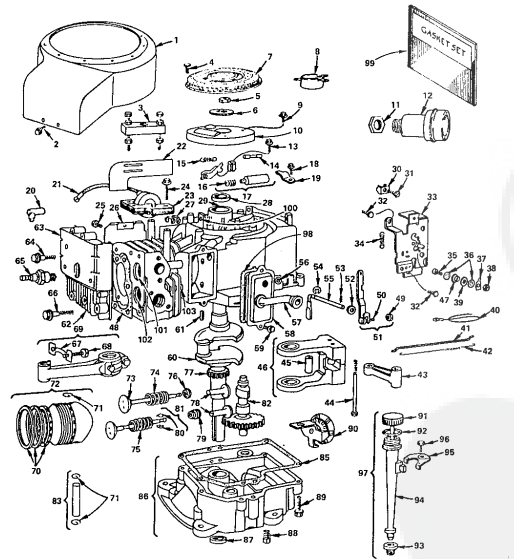
REPAIR PARTS

32" REAR ENGINE RIDING LAWN MOWER-MODEL NUMBER K8327CR
TRANSMISSION MODEL NUMBER 719A

KEY NO.	PART NO.	DESCRIPTION	KEY NO.	PART NO.	DESCRIPTION
1	794212A	Complete Transmission (719A)	25	790007	Plate, Brake pad
2	770081	Case, Transmission	26	780026	Pin, Dowel
3	772070	Cover, Transmission	27	780105	Bushing, Flanged
4	778162	Shaft, Output and Brake	28	780081	Chain, Roller (No. 41 chain, 24 links)
5	778121	Gear, Spur (25 teeth)	29	790072	Race, Thrust
6	780072	Sprocket	30	780106	Bearing, Needle
7	778123	Gear, Spur (25 teeth)	31	792077	Ring, Retaining
8	778124	Gear, Spur (30 teeth)	32	792035	Ring, Retaining
9	784266	Collar, Shift	33	780109	Washer
10	780083	Sprocket (18 teeth)	34	788040	Ring, Retaining
11	786082	Sprocket (9 teeth)	35	784270	Rod & Fork Asy., Shift
12	778154	Shaft, Counter	36	792075	Screw, Hex hd., 1/4", 1/4" x 1 - 1/4"
13	778109	Gear, Bevel (42 tooth and 15 tooth spur gear)	36A	792085	Screw, Hex hd., 1/4", 1/4" x 2 - 1/4"
14	778126	Gear, Spur (20 teeth)	37	792099A	Key
15	778127	Gear, Spur (25 teeth)	38	792035	Nut, 5/16" - 24 lock
16	786071	Spacer	39	792076	Washer, Flat, 5/16"
17	778129	Gear, Spur (30 teeth)	40	792077	Ball, Steel, 5/16"
18	778135	Shaft, Input	41	792078	Screw, Set, 3/8" - 16 x 3/8
19	778113	Bevel pinion, input	42	792079	Spring
20	780047	Sprocket (8 teeth)	43	780108	Washer, Thrust
21	790003	Brake	44	780067	Spacer
22	790004	Lever, Brake			
23	790005	Hyliner, Brake pad			
24	790006	Pad, Brake			

REPAIR PARTS

32" REAR ENGINE RIDING LAWN MOWER-MODEL NUMBER K8327CR
BRIGGS & STRATTON 8 H.P. ENGINE-MODEL NO. 191705, TYPE NO. 5647-01
CYLINDER, CRANKSHAFT AND ENGINE BASE GROUP



REPAIR PARTS

32" REAR ENGINE RIDING LAWN MOWER-MODEL NUMBER K8327CR
BRIGGS & STRATTON 8 H.P. ENGINE-MODEL NO. 191705, TYPE NO. 5647-01
CYLINDER, CRANKSHAFT AND ENGINE BASE GROUP

KEY NO.	PART NO.	DESCRIPTION	KEY NO.	PART NO.	DESCRIPTION
1	391379	Housing - Blower	61	61750	Key - Flywheel
2	93159	Screw - Sam	62	212286	Cylinder Head
3	19165	Puller - Flywheel	63	222636	Cover - Cylinder Head
4	93805	Screw - Sam	64	92211	Screw - 2" x 1/2"
5	92284	Nut - Flywheel	65	293918	Spark Plug Resistor
6	220565	Washer - Spring	66	93723	Screw - 3"
7	222622	Screen - Flath Rotating	67	222114	Lock - Connecting Rod Screw
8	222581	Cup - Screen Mtp.	68	90553	Screw - Connecting Rod
9	93762	Locknut - Muller	69	904602	ROD ASY., CONNECTING (Inc. Key No's. 67 & 68)
10	232117	Cover - Breaker Point	70	391669	RING SET - PISTON, Std.
11	91242	Locknut - Muller	391670	010 Oversize	
12	933010	Muffler - Exhaust	391671	020 Oversize	
13	93381	Screw - Breaker Arm	391672	030 Oversize	
14	85704	Plunger - Breaker Point	71	68546	Lock - Piston Pin
15	26016	Spring - Breaker Arm	72	391673	Piston Asy., Inc. Key No's. 70 & 71
16	260374	Spring - Connector	391674	010 Oversize	
17	294628	Breaker Points & Condenser (Inc. Key No's. 15 & 16)	391675	020 Oversize	
18	93042	Screw - Sam	391676	030 Oversize	
19	220477	Clamp - Condenser	73	261055	Intake Valve
20	69538	Elbow - Spark Plug	74	69596	Spring - Intake Valve
21	221798	Terminal - Ignition Cable	75	26828	Spring - Exhaust Valve
22	221760	Guide - Air	76	221896	Retainer - Intake Valve
23	298968	Armature Asy.	77	261195	Gear - Timing
24	93381	Screw - Armature	78	200933	Tapet - Valve
25	93163	Screw - Sam	79	292260	Rotocoll - Exhaust Valve
26	222830	Shield - Cylinder	80	90303	Retainer - Exhaust Valve
27	221907	Clip - Wire	81	393419	Exhaust Valve (Inc. Key No. 80)
28	294606	Oil Seal	82	211689	Gear - Cam
29	393676	Cylinder Assembly	83	295640	Pin Asy., Piston (Inc. 2) each Key No. 71
30	221535	Clamp - Casing	85	795641	Pin Asy., Piston, ODS Oversize
31	93496	Screw - Sam	86	27750	*Gasket - Crankcase Cover - 1/64" thick
32	82572	Plate - Governor Control	27876	27876	Gasket - Crankcase Cover - .006" thick
33	390662	Spring - Governor	27877	27877	Gasket - Crankcase Cover - .008" thick
34	261506	Screw - Terminal	86	298616	Oil Sump (Inc. Key No's. 85 and 87)
35	91920	Screw - Terminal	87	298423	Oil Seal
36	92791	Lockwasher	88	01084	Plug - Oil Drain
37	83722	Terminal - Spade	89	93385	Screw - Sam
38	90576	Hex Nut No. 8 - 32	90	392718	Oil Slinger - Governor
39	96068	Washer - Insulating	91	391840	Cap & Dipstick - Oil Filler
40	299500	Wire - Ground	92	270920	Seal - Filler Cap
41	260871	Link - Governor	93	68839	Seal - Filler Tube
42	280584	Spring - Governor Link	94	260333	Tube - Oil Filler
43	212359	Link - Counterweight	95	222502	Clamp - Oil Filler Tube
44	39874	Pin - Counterweight	96	93804	Screw - Clamp Mtp.
45	298909	Counterweight Asy.	97	392086	Filler Group - Oil (Inc. Key No's. 91, 92, 93, 94, 95 & 96)
46	393172	Counterweight Asy.	98	27803	*Gasket - Valve Cover
47	66554	Collar - Insulating	99	298977	Gasket Set
48	270430	*Gasket - Cylinder Head	100	29512	Bushing - Plunger
49	231062	Hex Nut No. 10 - 24	101	211691	Seat - Intake Valve (Std.)
50	92613	Bolt - Governor Lever	102	211661	Seat - Exhaust Valve (Std.)
51	391733	Lever Asy., Governor (Inc. Key No's. 49 & 50)	103	230856	Guide - Exhaust Valve
52	222450	Washer - Governor Lever			
53	93306	Dotter - Hair Pin			
54	93307	Retainer - E Ring			
55	211058	Crank - Governor			
56	231055	Bushing - Governor Crank			
57	290005	Breather Tube			
58	391408	Breather Asy.			
59	93536	Sims Screw			
60	391757	Crankshaft			

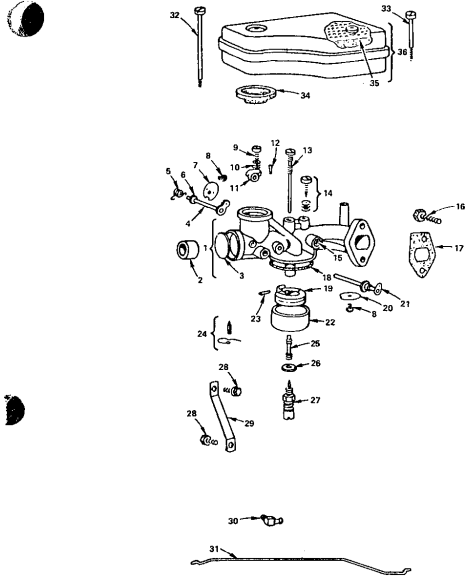
ALL ENGINE PARTS MUST BE PURCHASED THROUGH AND SERVICE PERFORMED BY YOUR LOCAL BRIGGS AND STRATTON DEALER.

*INCLUDED IN GASKET SET 299577
SPARK ARRESTER ASSEMBLY (OPTIONAL)
Spark Arrester
22537
Deflector
93705 Screw (4 required)

REPAIR PARTS

32" REAR ENGINE RIDING LAWN MOWER - MODEL NUMBER K8327CR
BRIGGS & STRATTON 8 H.P. ENGINE - MODEL NO. 191705, TYPE NO. 5647-01

CARBURETOR NUMBER 390811



ALL ENGINE PARTS MUST BE PURCHASED THROUGH AND SERVICE PERFORMED BY YOUR LOCAL BRIGGS AND STRATTON DEALER.

REPAIR PARTS

32" REAR ENGINE RIDING LAWN MOWER - MODEL NUMBER K8327CR
BRIGGS & STRATTON 8 H.P. ENGINE - MODEL NO. 191705, TYPE NO. 5647-01

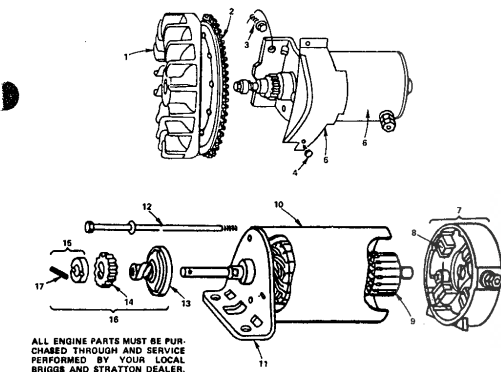
CARBURETOR NUMBER 390811

KEY NO.	PART NO.	DESCRIPTION	KEY NO.	PART NO.	DESCRIPTION
1	299851	Body Ass'y. (Includes Key No. 3)	21	391512	Shaft & Lever - Throttle
2	211682	Venturi - Carburetor	22	221995	Bowl - Float
3	221997	*Plug - Wash	23	220886	*Pin - Float Hinge
4	350584	Shaft and Lever - Choke	24	299096	*Valve - Fuel Inlet
5	261116	Spring - Choke Return	25	230952	*Screw - Nozzle
6	270382	Washer - Choke Shaft	26	222014	*Washer - Float Bowl
7	222010	Valve - Choke	27	391233	*Valve - Needle
8	93499	Screw - Stop	28	95679	Screw
9	91920	Screw - Fil. Hd. Mach. No. B - 32 x 5/8	29	222027	Bracket - Carburetor
10	26157	Spring - Throttle Adjustment	30	61218	Connector - Fuel Pipe
11	211712	Stop - Throttle	31	261117	Link - Choke
12	95643	Pin - Throttle Stop	32	93323	Screw - Air Cleaner
13	259740	*Nozzle - Carburetor	33	95022	Screw - Air Cleaner
14	292681	*Valve Ass'y. - Carb. Idle	34	270539	Gasket - Air Cleaner
15	23108	Bushing - Throttle Shaft	35	270536	Element - Air Cleaner
16	93357	Screw - Carburetor Mfg.	36	391593	Air Cleaner Ass'y. (Inc. Key No. 35)
17	270824	*Gasket - Carburetor Mfg.		299852	Carburetor Overhaul Kit (Inc. Parts Marked *)
18	270511	*Gasket - Float Bowl	390811		Carburetor Assembly
19	289707	Float - Carburetor			
20	221995	Valve - Throttle			

REPAIR PARTS

32" REAR ENGINE RIDING LAWN MOWER - MODEL NUMBER K8327CR
BRIGGS & STRATTON 8 H.P. ENGINE - MODEL NO. 191705, TYPE NO. 5647-01

FLYWHEEL AND STARTER MOTOR GROUP

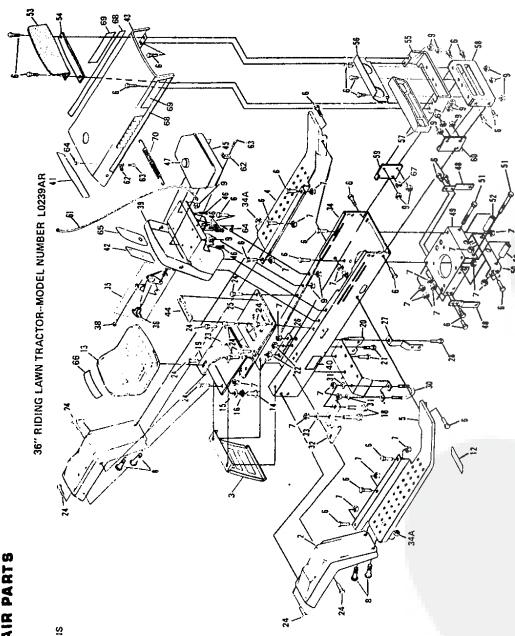


ALL ENGINE PARTS MUST BE PURCHASED THROUGH AND SERVICE PERFORMED BY YOUR LOCAL BRIGGS AND STRATTON DEALER.

KEY NO.	PART NO.	DESCRIPTION
1	392034	Flywheel and Ring Gear Ass'y.
2	392134	Gear - Ring
3	93823	Screw - Sem
4	93410	Screw - Sem
5	390233	Cover & Shield - Starter
6	392749	Motor, Starter (Inc. Key No's. 7 thru 17)
7	390846	End Cap Ass'y. Commutator (Inc. Key No. 8)
8	391705	Brush Ass'y.
9	392747	Armature Ass'y.
10	392744	Housing Ass'y.
11	392061	End Cap Ass'y. Drive
12	391706	Thru Bolt Ass'y.
13	391136	Clutch Ass'y.
14	280104	Gear
15	391462	Retainer & Pin (Inc. Key No. 17)
16	391461	Drive Ass'y. (Inc. Key No's. 13, 14 & 15)
17	93754	Roll Pin

REPAIR PARTS

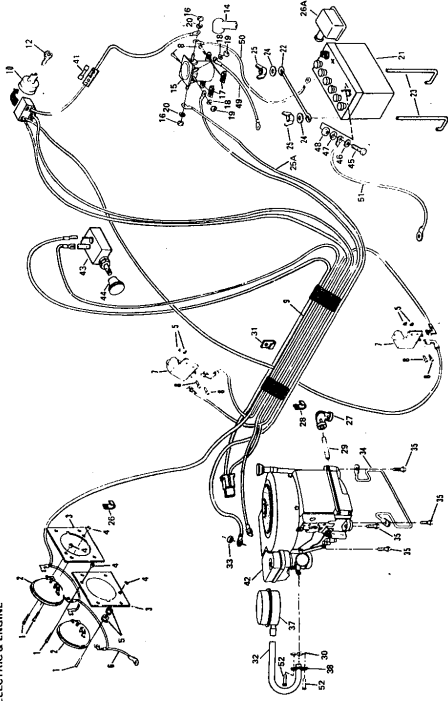
CHASSIS



36" RIDING LAWN TRACTOR-MODEL NUMBER L0238AR

REPAIR PARTS

ELECTRIC & ENGINE



36" RIDING LAWN TRACTOR-MODEL NUMBER L0238AR

REPAIR PARTS

CHASSIS

KEY NO.	PART NO.	DESCRIPTION
2	200J	Fender, R. H.
3	1388J	Rear Cover, L.H.
4	1389J	Rear Cover, R.H.
5	1540J	Foot Rest, R.H.
6	2019P	Bolt, Hex Head 5/16" x 1 1/2"
7	2019P	Bolt, Hex Head 5/16" x 1 1/2"
8	2008P	Bolt, Hex Head 5/16" x 1 1/2"
9	2019P	Bolt, Hex Head 5/16" x 1 1/2"
10	2019P	Bolt, Hex Head 5/16" x 1 1/2"
11	2019P	Bolt, Hex Head 5/16" x 1 1/2"
12	2019P	Bolt, Hex Head 5/16" x 1 1/2"
13	1095J	Seat, Hex Head 1/2" x 1 1/2"
14	1095J	Washer 1/2" x 1 1/2"
15	1095J	Washer 1/2" x 1 1/2"
16	1095J	Washer 1/2" x 1 1/2"
17	2019P	Bolt, Hex Head 5/16" x 1 1/2"
18	2019P	Bolt, Hex Head 5/16" x 1 1/2"
19	2019P	Bolt, Hex Head 5/16" x 1 1/2"
20	2019P	Bolt, Hex Head 5/16" x 1 1/2"
21	2019P	Bolt, Hex Head 5/16" x 1 1/2"
22	2019P	Bolt, Hex Head 5/16" x 1 1/2"
23	1790J	Chassis Cover
24	671A3	Chassis Cover
25	671A3	Chassis Cover
26	21186	Anti-Slip Strip
27	21186	Anti-Slip Strip
28	21186	Anti-Slip Strip
29	21186	Anti-Slip Strip
30	21186	Anti-Slip Strip
31	1610P	Washer 3/8" x 1 1/4" x 6 Ga.
32	1610P	Washer 3/8" x 1 1/4" x 6 Ga.
33	1610P	Washer 3/8" x 1 1/4" x 6 Ga.
34	235P	Key Jam Nut 5/16" x 1 1/2"
35	1544J	Running Control Assy., Inc.
36	81199	Knob - Remote Control
37	81199	Knob - Remote Control
38	6452R	Screw, Hex Washer Hd, Thd. Contain 1/4" x 1/2"
39	6452R	Screw, Hex Washer Hd, Thd. Contain 1/4" x 1/2"
40	6452R	Screw, Hex Washer Hd, Thd. Contain 1/4" x 1/2"
41	651J	Dash Assy., Inc. Key No. 8 and 2 Inch Key No. 3, Page 21
42	651J	Dash Assy., Inc. Key No. 8 and 2 Inch Key No. 3, Page 21
43	7159I	Headlight Assembly
44	74307	Battery Cup
45	6547P	Screw, Thd. Contain 1/4" x 20 x 3/4"
46	6547P	Screw, Thd. Contain 1/4" x 20 x 3/4"
47	71195	Bracket - Battery
48	71195	Bracket - Battery
49	1839J	Engine Base
50	1839J	Engine Base
51	2717P	"Bolt, Hex Head 5/16" x 1 1/2"
52	2717P	"Bolt, Hex Head 5/16" x 1 1/2"
53	71913	Headlight Bracket
54	2054J	Bracket - Headlight
55	71915	Headlight Support
56	71915	Headlight Support
57	2002J	Lower Grill Frame
58	2002J	Lower Grill Frame
59	2002J	Lower Grill Frame
60	2002J	Lower Grill Frame
61	2002J	Lower Grill Frame
62	2002J	Lower Grill Frame
63	2002J	Lower Grill Frame
64	981P	Locknut, Hex with Nylon Insert 1/4" x 20
65	245J	Decal - Side Back
66	245J	Decal - Side Back
67	245J	Decal - Side Back
68	245J	Decal - Side Back
69	245J	Decal - Side Back
70	245J	Decal - Side Back
71	245J	Decal - Side Back
72	245J	Decal - Side Back

36" RIDING LAWN TRACTOR-MODEL NUMBER L0238AR

REPAIR PARTS

ELECTRIC & ENGINE

KEY NO.	PART NO.	DESCRIPTION
1	3228P	Screw, Machine Truss Head
2	6452R	Screw, Hex Washer Hd, Thd. Contain 1/4" x 1/2"
3	7307S	Headlight Support
4	581P	Nut, Key No. 10 - 24 UNC
5	581P	Nut, Key No. 10 - 24 UNC
6	7145B	Screw, Machine Phillips Head
7	3356P	Screw, Machine Phillips Head
8	3356P	Screw, Machine Phillips Head
9	1797J	Ignition Switch (Inc. Ref No. 12)
10	6558R	Terminal Cover
11	6558R	Terminal Cover
12	71914	Terminal Cover
13	71914	Terminal Cover
14	5384H	"Nut, Hex Jam 5/16" x 24 UNF
15	5384H	"Nut, Hex Jam 5/16" x 24 UNF
16	5384H	"Nut, Hex Jam 5/16" x 24 UNF
17	1008P	"Nut, Hex No. 10 - 32 UNF
18	1008P	"Nut, Hex No. 10 - 32 UNF
19	1008P	"Nut, Hex No. 10 - 32 UNF
20	1008P	"Nut, Hex No. 10 - 32 UNF
21	228J	Battery Box
22	228J	Battery Box
23	14456	Battery Box
24	14456	Battery Box
25	14456	Battery Box
26	14456	Battery Box
27	14456	Battery Box
28	14456	Battery Box
29	14456	Battery Box
30	14456	Battery Box
31	14456	Battery Box
32	14456	Battery Box
33	14456	Battery Box
34	14456	Battery Box
35	14456	Battery Box
36	14456	Battery Box
37	677A8R	Washer 3/8" x 1 1/4" x 6 Ga.
38	677A8R	Washer 3/8" x 1 1/4" x 6 Ga.
39	677A8R	Washer 3/8" x 1 1/4" x 6 Ga.
40	677A8R	Washer 3/8" x 1 1/4" x 6 Ga.
41	677A8R	Washer 3/8" x 1 1/4" x 6 Ga.
42	22707	Washer 3/8" x 1 1/4" x 6 Ga.
43	22707	Washer 3/8" x 1 1/4" x 6 Ga.
44	22707	Washer 3/8" x 1 1/4" x 6 Ga.
45	22707	Washer 3/8" x 1 1/4" x 6 Ga.
46	22707	Washer 3/8" x 1 1/4" x 6 Ga.
47	22707	Washer 3/8" x 1 1/4" x 6 Ga.
48	22707	Washer 3/8" x 1 1/4" x 6 Ga.
49	22707	Washer 3/8" x 1 1/4" x 6 Ga.
50	22707	Washer 3/8" x 1 1/4" x 6 Ga.
51	22707	Washer 3/8" x 1 1/4" x 6 Ga.
52	22707	Washer 3/8" x 1 1/4" x 6 Ga.
53	22707	Washer 3/8" x 1 1/4" x 6 Ga.
54	22707	Washer 3/8" x 1 1/4" x 6 Ga.
55	22707	Washer 3/8" x 1 1/4" x 6 Ga.
56	22707	Washer 3/8" x 1 1/4" x 6 Ga.
57	22707	Washer 3/8" x 1 1/4" x 6 Ga.
58	22707	Washer 3/8" x 1 1/4" x 6 Ga.
59	22707	Washer 3/8" x 1 1/4" x 6 Ga.
60	22707	Washer 3/8" x 1 1/4" x 6 Ga.
61	22707	Washer 3/8" x 1 1/4" x 6 Ga.
62	22707	Washer 3/8" x 1 1/4" x 6 Ga.
63	22707	Washer 3/8" x 1 1/4" x 6 Ga.
64	22707	Washer 3/8" x 1 1/4" x 6 Ga.
65	22707	Washer 3/8" x 1 1/4" x 6 Ga.
66	22707	Washer 3/8" x 1 1/4" x 6 Ga.
67	22707	Washer 3/8" x 1 1/4" x 6 Ga.
68	22707	Washer 3/8" x 1 1/4" x 6 Ga.
69	22707	Washer 3/8" x 1 1/4" x 6 Ga.
70	22707	Washer 3/8" x 1 1/4" x 6 Ga.
71	22707	Washer 3/8" x 1 1/4" x 6 Ga.
72	22707	Washer 3/8" x 1 1/4" x 6 Ga.
73	22707	Washer 3/8" x 1 1/4" x 6 Ga.
74	22707	Washer 3/8" x 1 1/4" x 6 Ga.

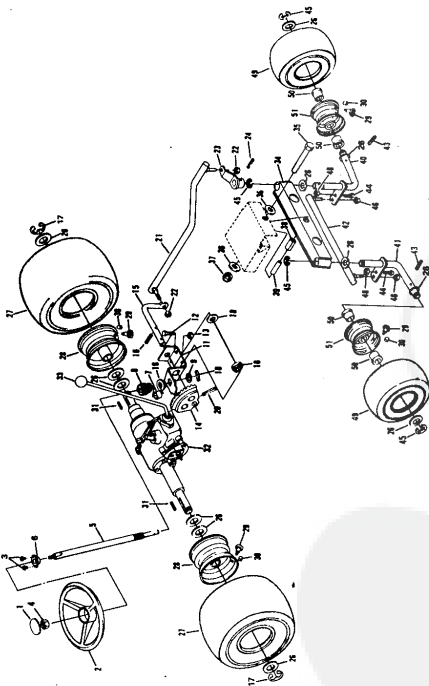
36" RIDING LAWN TRACTOR-MODEL NUMBER L0238AR

*STANDARD HARDWARE-PURCHASE LOCALLY

Optional Equipment: Lawn Aerator, Mower

REPAIR PARTS

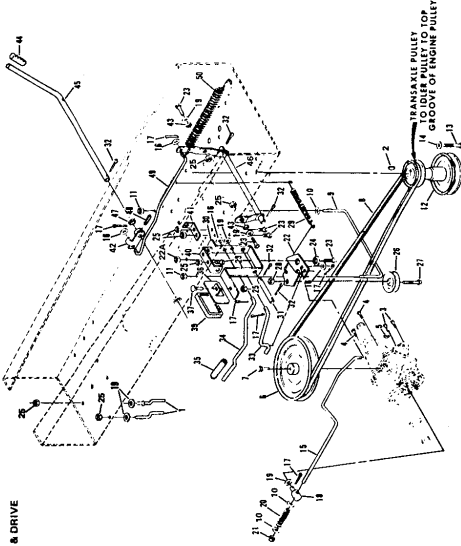
STEERING AND WHEELS



REPAIR PARTS

CLUTCH-BRAKE & DRIVE

36" RIDING LAWN TRACTOR-MODEL NUMBER L0289AR



REPAIR PARTS

STEERING AND WHEELS

KEY NO.	PART NO.	DESCRIPTION
1	1114J	Steering Wheel Inset
2	506J	Steering Wheel, 9 1/2" Metal Screw
3	5014P	Hub, 1 1/2" Top All Ball
4	794191A	Transaxle Assembly Model 143.058A
5	1585J	Nut, Hex 5/16 x 1 1/2, 20 UNF
6	1585J	Bushing
7	1585J	Pinion Gear
8	74881	Pinion Gear, 1 1/2 x 1 1/2 x 1 1/2
9	74881	Pinion Gear, 1 1/2 x 1 1/2 x 1 1/2
10	52379	Steering Bracket, 1 1/2 x 1 1/2 x 1 1/2
11	74577	Steering Bracket, 1 1/2 x 1 1/2 x 1 1/2
12	74577	Steering Bracket, 1 1/2 x 1 1/2 x 1 1/2
13	579P	Nut, Lock 5/16 - 18 UNC
14	1818P	Washer, 21/32 x 1 - 1/4 x 13 Ga.
15	1326J	Steering Rod
16	71208	Bushing
17	71208	Bushing
18	73446	Drag Link, 3/8 x 3/8 - 24 UNF
19	71219	Steering Arm
20	7185	Steering Arm Assembly
21	7185	Steering Arm Assembly
22	5527P	Washer, 7/32 x 1 - 1/4 x 16 Ga.
23	5527P	Washer, 7/32 x 1 - 1/4 x 16 Ga.
24	7185J	Steering Arm Assembly
25	7185J	Steering Arm Assembly
26	5527P	Washer, 7/32 x 1 - 1/4 x 16 Ga.
27	5527P	Washer, 7/32 x 1 - 1/4 x 16 Ga.
28	7185J	Steering Arm Assembly
29	7185J	Steering Arm Assembly

* STANDARD HARDWARE - PURCHASE LOCALLY

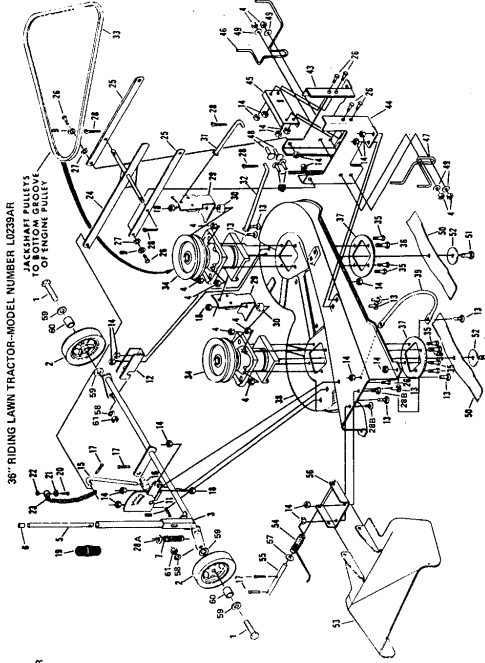
REPAIR PARTS

CLUTCH-BRAKE & DRIVE

KEY NO.	PART NO.	DESCRIPTION
1	71200	Bolt Guide
2	6503J	Key, Woodruff No. 6
3	6059P	Screw, Hex Head w/Washer 5/16 x 1 1/2
4	6059P	Screw, Hex Head w/Washer 5/16 x 1 1/2
5	52659	Washer, 17/32 x 7/8 x 16 Ga.
6	6059P	Screw, Hex Head w/Washer 5/16 x 1 1/2
7	6059P	Screw, Hex Head w/Washer 5/16 x 1 1/2
8	73794	Nut, Bolt Guide
9	71241	Nut, Bolt Guide
10	71241	Nut, Bolt Guide
11	545P	Locknut, 3/8 - 16 x 7/8 x 16 Ga.
12	71823	Sulley - Engine
13	71823	Sulley - Engine
14	15189	Switch Bracket
15	73392	Brake Rod, 1 - 1/4 x 6 Ga.
16	73392	Brake Rod, 1 - 1/4 x 6 Ga.
17	73392	Brake Rod, 1 - 1/4 x 6 Ga.
18	71238	Turnion
19	71238	Turnion
20	71239	Locknut w/Washer 3/8 - 16 UNC
21	591P	Brake Shoe
22	588P	Locknut w/Washer 5/16 - 18 UNC
23	591P	Brake Shoe
24	591P	Brake Shoe
25	591P	Brake Shoe
26	591P	Brake Shoe
27	591P	Brake Shoe
28	591P	Brake Shoe
29	591P	Brake Shoe
30	591P	Brake Shoe
31	71223	Front Seal
32	2506P	Center Pin, 1 3/4 x 1
33	2506P	Center Pin, 1 3/4 x 1
34	372J	Park Brake Rod
35	372J	Park Brake Rod
36	71222	Clutch Pin
37	18P	Clutch Pin
38	18P	Clutch Pin
39	18P	Clutch Pin
40	71189	Foot Bracket
41	71189	Foot Bracket
42	73259	Clutch Arm Assembly
43	71195	Clutch Arm Assembly
44	71195	Clutch Arm Assembly
45	71242	Clutch Handle
46	71242	Clutch Handle
47	15189	Clutch Arm Assembly
48	52239	Spring Pin, 3/16 x 1
49	52239	Spring Pin, 3/16 x 1
50	71248	Spring
51	71248	Spring
52	71248	Spring
53	71248	Spring
54	71248	Spring
55	71248	Spring
56	71248	Spring
57	71248	Spring
58	71248	Spring
59	71248	Spring
60	71248	Spring
61	71248	Spring

* STANDARD HARDWARE - PURCHASE LOCALLY

REPAIR PARTS



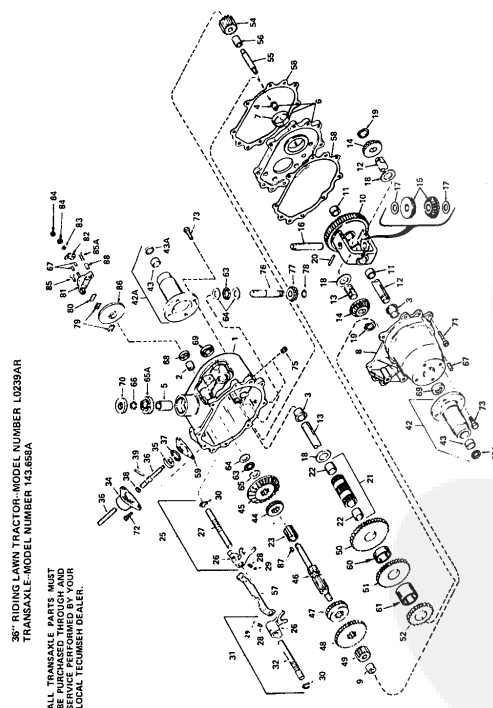
36" RIDING LAWN TRACTOR—MODEL NUMBER L023BAR
MOVER

REPAIR PARTS

KEY NO.	PART NO.	DESCRIPTION
1	3189P	Hex Bolt 3/8" x 2 1/4" x 3/4" G. 5
2	671A134	Shear Pin
3	71522	Blade
4	545P	Blade Retainer
5	671A135	Nut, Lock 3/8" - 16 UNC
6	671A136	Cap Level Plug
7	671A137	Blade Lock
8	671A138	Blade Lock
9	1589P	Washer, 1/162" x 3/4" x 18 Ga.
10	671A139	Pin, Road Support
11	71574	Pin, Road Support
12	71575	Pin, Road Support
13	71576	Pin, Road Support
14	71577	Nut, Lock 5/16" - 18 UNC
15	71578	Adjustment Rod
16	71579	Pin, Road Support
17	71580	Pin, Road Support
18	71581	Pin, Road Support
19	71582	Pin, Road Support
20	71583	Pin, Road Support
21	71584	Pin, Road Support
22	71585	Pin, Road Support
23	71586	Pin, Road Support
24	71587	Pin, Road Support
25	71588	Pin, Road Support
26	71589	Pin, Road Support
27	71590	Pin, Road Support
28	71591	Pin, Road Support
29	71592	Pin, Road Support
30	71593	Pin, Road Support
31	71594	Pin, Road Support
32	71595	Pin, Road Support
33	71596	Pin, Road Support
34	71597	Pin, Road Support
35	71598	Pin, Road Support
36	71599	Pin, Road Support
37	71600	Pin, Road Support
38	71601	Pin, Road Support
39	71602	Pin, Road Support
40	71603	Pin, Road Support
41	71604	Pin, Road Support
42	71605	Pin, Road Support
43	71606	Pin, Road Support
44	71607	Pin, Road Support
45	71608	Pin, Road Support
46	71609	Pin, Road Support
47	71610	Pin, Road Support
48	71611	Pin, Road Support
49	71612	Pin, Road Support
50	71613	Pin, Road Support
51	71614	Pin, Road Support
52	71615	Pin, Road Support
53	71616	Pin, Road Support
54	71617	Pin, Road Support
55	71618	Pin, Road Support
56	71619	Pin, Road Support
57	71620	Pin, Road Support
58	71621	Pin, Road Support
59	71622	Pin, Road Support
60	71623	Pin, Road Support
61	71624	Pin, Road Support

STANDARD HARDWARE PURCHASE LOCALLY

REPAIR PARTS



36" RIDING LAWN TRACTOR—MODEL NUMBER L023BAR
TRANSMISSION PARTS

REPAIR PARTS

KEY NO.	PART NO.	DESCRIPTION
1	704191A	Complete Transaxle
2	704191B	Case Assy., Transaxle (Inc. No's 1, 2, 3 & 5)
3	704191C	Input Shaft
4	704191D	Output Shaft
5	704191E	Intermediate Shaft
6	704191F	Pin, Input
7	704191G	Pin, Output
8	704191H	Pin, Intermediate
9	704191I	Pin, Input
10	704191J	Pin, Output
11	704191K	Pin, Intermediate
12	704191L	Pin, Input
13	704191M	Pin, Output
14	704191N	Pin, Intermediate
15	704191O	Pin, Input
16	704191P	Pin, Output
17	704191Q	Pin, Intermediate
18	704191R	Pin, Input
19	704191S	Pin, Output
20	704191T	Pin, Intermediate
21	704191U	Pin, Input
22	704191V	Pin, Output
23	704191W	Pin, Intermediate
24	704191X	Pin, Input
25	704191Y	Pin, Output
26	704191Z	Pin, Intermediate
27	704192A	Pin, Input
28	704192B	Pin, Output
29	704192C	Pin, Intermediate
30	704192D	Pin, Input
31	704192E	Pin, Output
32	704192F	Pin, Intermediate
33	704192G	Pin, Input
34	704192H	Pin, Output
35	704192I	Pin, Intermediate
36	704192J	Pin, Input
37	704192K	Pin, Output
38	704192L	Pin, Intermediate
39	704192M	Pin, Input
40	704192N	Pin, Output
41	704192O	Pin, Intermediate
42	704192P	Pin, Input
43	704192Q	Pin, Output
44	704192R	Pin, Intermediate

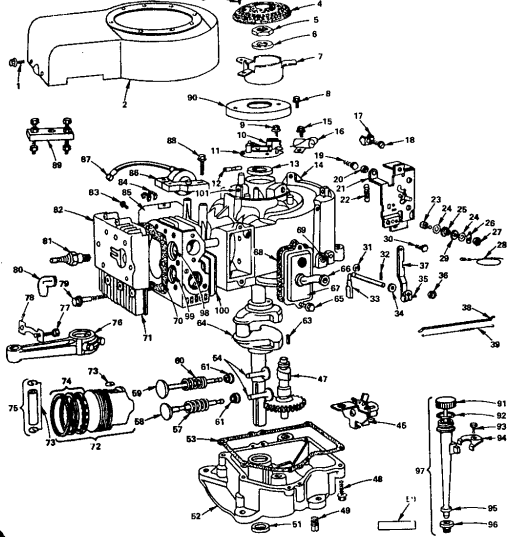
STANDARD HARDWARE PURCHASE LOCALLY

REPAIR PARTS

36" RIDING LAWN TRACTOR-MODEL NUMBER L0239AR
BRIGGS & STRATTON 10 H.P. ENGINE-MODEL NO. 220707, TYPE NO. 0134-01

CYLINDER, CRANKSHAFT AND ENGINE BASE GROUP

ALL ENGINE PARTS MUST BE PURCHASED THROUGH AND SERVICE PERFORMED BY YOUR LOCAL BRIGGS AND STRATTON DEALER.



REPAIR PARTS

36" RIDING LAWN TRACTOR-MODEL NUMBER L0239AR
BRIGGS & STRATTON 10 H.P. ENGINE-MODEL NO. 220707, TYPE NO. 0134-01

CYLINDER, CRANKSHAFT AND ENGINE BASE GROUP

KEY NO.	PART NO.	DESCRIPTION	KEY NO.	PART NO.	DESCRIPTION
1	93158	Screw - Blower Housing Mounting Sem	57	26829	Spring - Exhaust Valve
2	39156	Housing - Blower	58	23153	Valve - Exhaust
3	38598	Screw - Sem	59	26145Z	Valve - Intake
4	22562	Screen - Fluff Rotating	60	6509	Spring - Intake Valve
5	92594	Nut - Hex	61	221596	Retainer - Intake Valve
6	22985	Washer - Spring	63	6176	Key - Flywheel
7	22561	Cap - Screw Mounting	64	261605	Crankshaft
8	93014	Screw - Sem	66	93304	Screw - Sem
9	93296	Cap - Screw Mounting	68	260100	Tube - Breather
10	26018	Spring - Breather Arm	67	39140Z	Breather Assembly
11	59194	Breaker Assy - Ignition (Inc. No. 10)	68	27803	Gasket - Valve Cover
12	65704	Puncher - Breaker Point	69	231055	Bushing - Gov. Crank (1 1/4" I.D.)
13	39108	Seal - Oil	70	271075	Gasket - Cylinder Head
14	39363	Cylinder Assy (Inc. No. 13)	71	212366	Head - Cylinder
15	93042	Screw - Sem	72	391285	Piston Assy - Standard (Inc. No.'s 73 & 74)
16	39192	Condenser	73	391287	Piston Assy - .010" O.S.
17	221535	Clamp - Gaining	74	391288	Piston Assy - .020" O.S.
18	93496	Screw - Sem	75	391289	Piston Assy - .030" O.S.
19	93688	Screw - Control Bracket Mounting	76	260924	Lock - Piston Pin
20	231039	Screw - Control Bracket Mounting	77	391290	Ring Set - Piston - Std.
21	390662	Plate - Gov. Control	78	391781	Ring Set - Piston - .010" O.S.
22	291506	Spring - Governor	79	391782	Ring Set - Piston - .020" O.S.
23	91920	Screw - Termin	80	391783	Ring Set - Piston - .030" O.S.
24	92591	Washer - Lock - Shakeproof	81	299961	Pin Assy - Piston - Std. (Inc. No. 73)
25	66554	Collar - Insulating	82	391286	Pin Assy - Piston - .005" O.S.
26	93722	Terminal - Spade	83	66560	Lock - Conn. Rod Screw
27	90576	Nut - Hex B - 32	84	92920	Screw - Conn. Rod
28	391802	Wire - Ground	85	222259	NOTE: 33181 Stud - Cylinder Head
29	66568	Washer - Insulating	86	222259	NOTE: 33181 Stud - Cylinder Head
30	93572	Retainer - E-Ring	87	66538	Elbow - Spark Plug
31	83307	Retainer - E-Ring	88	23918	Plug - Spark (1 - 1/2" High - 37 - 42 MM)
32	83266	Control - Main Pin	89	222450	NOTE: Spark Plug use Ignition Cable
33	231058	Crank - Governor (1/4" Dia.)	90	66513	Terminal - Spade
34	222450	Washer - Gov. Crank (1/4" I.D.)	91	231082	NOTE: Spark Plug use Ignition Cable
35	66513	Ball - Governor Lever	92	391753	Diag. Crank (Inc. No.'s 35 & 36)
36	231082	Nut - Hex 10 - 24	93	222725	Diag. Crank (Inc. No.'s 35 & 36)
37	391753	Level Assy - Governor (for 1/4" Dia. Crank) (Inc. No.'s 35 & 36)	94	221907	Clip - Wire
38	261198	Level Assy - Governor (for 1/4" Dia. Crank) (Inc. No.'s 35 & 36)	95	93688	Screw - Cylinder Head
39	261197	Spring - Governor Link	96	222259	Screw - Cylinder Head Mtg. Sem
40	93164	Oil Slinger - Gov. Gear & Bracket Assy	97	93688	Screw - Cylinder Head Mtg. Sem
41	212796	Gear - Cam	98	93688	Screw - Cylinder Head Mtg. Sem
42	93585	Screw - Spring Mounting Sem	99	93688	Screw - Cylinder Head Mtg. Sem
43	91094	Plug - Oil Drain	100	222259	Screw - Cylinder Head Mtg. Sem
44	393411	Gasket - Set	101	222259	Screw - Cylinder Head Mtg. Sem
45	291975	Seal - Oil			
46	391784	Spring - Oil (Inc. No.'s 51 & 53)			
47	270828	*Gasket - Crankcase Cover - 1/64" Thick			
48	270815	*Gasket - Crankcase Cover - .005" Thick			
49	270916	*Gasket - Crankcase Cover - .009" Thick			
50	261193	Tappet - Valve			

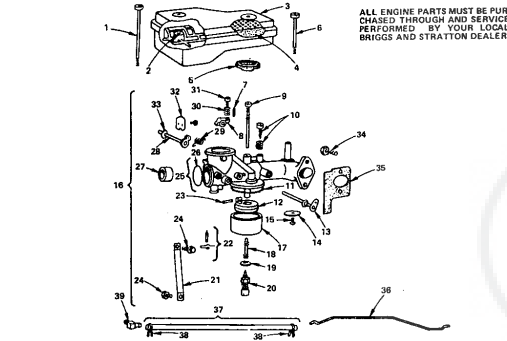
*STANDARD HARDWARE-PURCHASE LOCALLY

REPAIR PARTS

36" RIDING LAWN TRACTOR-MODEL NUMBER L0239AR
BRIGGS & STRATTON 10 H.P. ENGINE-MODEL NO. 220707, TYPE NO. 0134-01

AIR CLEANER AND CARBURETOR

ALL ENGINE PARTS MUST BE PURCHASED THROUGH AND SERVICE PERFORMED BY YOUR LOCAL BRIGGS AND STRATTON DEALER.



KEY NO.	PART NO.	DESCRIPTION	KEY NO.	PART NO.	DESCRIPTION
1	93323	Screw - Air Cleaner	24	93572	Screw
2	260118	Support - Air Cleaner Element	25	291787	Body Assy - Carburetor (Inc. No. 26)
3	391786	Cleaner Assy - Air (Inc. No.'s 2 & 4)	26	221997	*Plug - Wash
4	270843	Element - Air Cleaner	27	211960	Venturi - Carburetor
5	270853	Gasket - Air Cleaner	28	360594	Shaft & Lever - Choke
6	93822	Screw - Air Cleaner	29	261116	Spring - Choke Return
7	93943	Pin - Throttle Stop	30	26157	Spring - Throttle Adjustment
8	211712	Stop - Throttle	31	91920	Screw - Machine, Fil. Hd. B - 32 x 5/8"
9	299740	Nozzle - Carburetor	32	222010	Valve Choke
10	297981	Valve Assy - Carburetor Idle	33	270382	Washer - Choke Shaft
11	270511	*Gasket - Float Bowl	34	93357	Screw - Carburetor Mtg
12	269707	Float - Carburetor	35	270822	*Gasket - Carburetor Mtg.
13	391512	Shaft & Lever - Throttle	36	261274	Link - Choke
14	222658	Valve - Throttle	37	298004	Pipe - Fuel (Inc. No. 38)
15	93499	Screw - Throttle & Choke Valve Mtg. Sem	38	93003	Clamp - Fuel Pipe
16	393410	Carburetor Assy (Choke-A-Matic) (Inc. No.'s 7 thru 33)	39	67218	Connector - Fuel Pipe
17	221985	Bowl - Float			
18	250932	*Screw - Nozzle			
19	222014	Washer - Float Bowl			
20	391238	Valve - Needle			
21	222311	Bracket - Carburetor			
22	299598	Valve - Fuel Inlet			
23	230898	*Pin - Float Hinge			

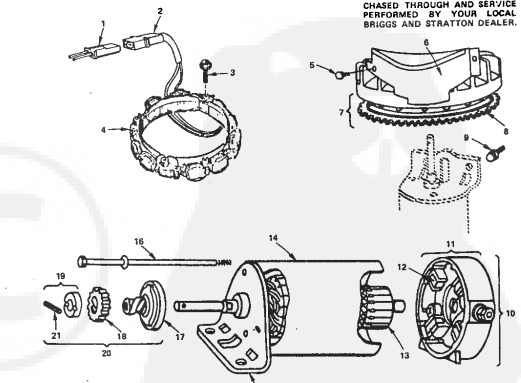
*INCLUDED IN CARBURETOR OVERHAUL KIT - PART NO. 298652
*INCLUDED IN GASKET SET - PART NO. 393411

REPAIR PARTS

36" RIDING LAWN TRACTOR-MODEL NUMBER L0239AR
BRIGGS & STRATTON 10 H.P. ENGINE-MODEL NO. 220707, TYPE NO. 0134-01

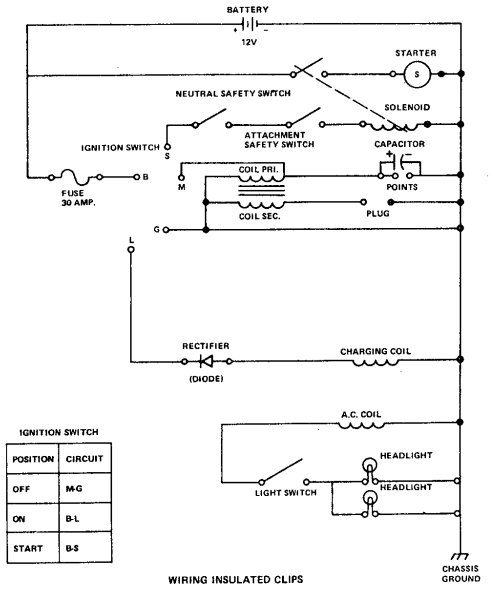
ALTERNATOR AND STARTER MOTOR GROUP

ALL ENGINE PARTS MUST BE PURCHASED THROUGH AND SERVICE PERFORMED BY YOUR LOCAL BRIGGS AND STRATTON DEALER.



KEY NO.	PART NO.	DESCRIPTION	KEY NO.	PART NO.	DESCRIPTION
1	393362	Alt. Harness Assembly	10	392749	Motor and Drive Assy. (12 Volts (Inc. No.'s 11 thru 20)
2	393456	Diode and Conn. Assembly	11	390946	End Cap Assy., Commutator (Inc. No. 12)
3	93521	Screw - Sem	12	391705	Brush Assy.
4	393474	Stator - Alternator	13	391705	Armature Assy.
5	93410	Screw - Sem	14	392744	Housing Assy.
6	390233	Cover and Shield - Starter	15	392061	End Cap Assy., Drive
7	391968	Flywheel & Ring Gear Assy. - Magnet (Inc. No. 14)	16	391705	Thru Bolt Assy.
8	392134	Gear - Ring (Inc. Mounting Parts)	17	391125	Clutch Assy.
9	93523	Screw - Sem	18	260104	Gear
			19	391452	Retainer & Pin
			20	391461	Drive Assy. (Inc. No.'s 17, 18 & 19)
			21	93754	Roll Pin

36" RIDING LAWN TRACTOR-MODEL NUMBER L0239AR
SCHEMATIC DIAGRAM



IGNITION SWITCH

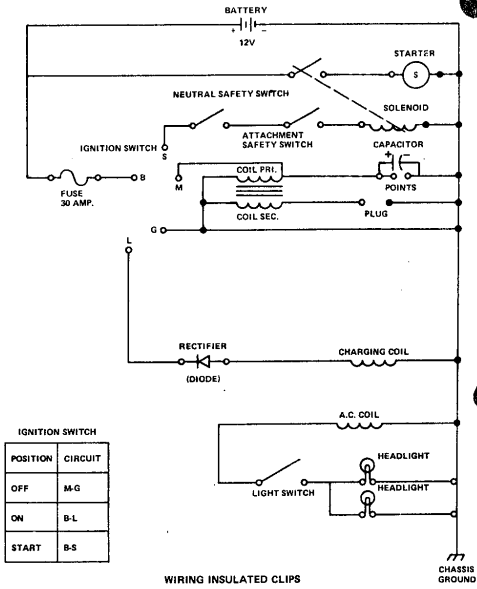
POSITION	CIRCUIT
OFF	M-G
ON	B-L
START	B-S

WIRING INSULATED CLIPS

If Insulated Clips were removed for servicing of unit, they should be replaced to properly secure your wiring. There are three Insulated Clips on your Tractor.
 1. L.H. side of Tractor for safety switch wires (Key No. 28, page 14).
 2. R.H. side of Tractor securing wire harness and cable wire (Key No. 31, page 14).
 3. Headlight wire (Key No. 26, page 14).

REPAIR PARTS

36" RIDING LAWN TRACTOR-MODEL NUMBER L1219AR
SCHEMATIC DIAGRAM



IGNITION SWITCH

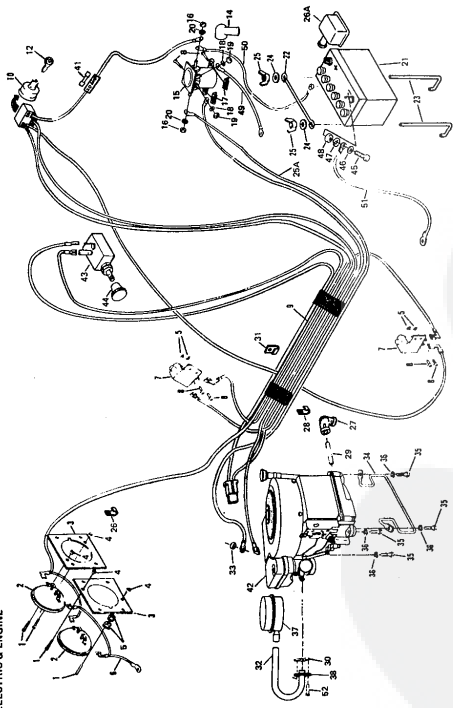
POSITION	CIRCUIT
OFF	M-G
ON	B-L
START	B-S

WIRING INSULATED CLIPS

If Insulated Clips were removed for servicing of unit, they should be replaced to properly secure your wiring. There are three Insulated Clips on your Tractor.
 1. L.H. side of Tractor for safety switch wires (Key No. 28, page 14).
 2. R.H. side of Tractor securing wire harness and cable wire (Key No. 31, page 14).
 3. Headlight wire (Key No. 26, page 14).

REPAIR PARTS

ELECTRIC & ENGINE



REPAIR PARTS

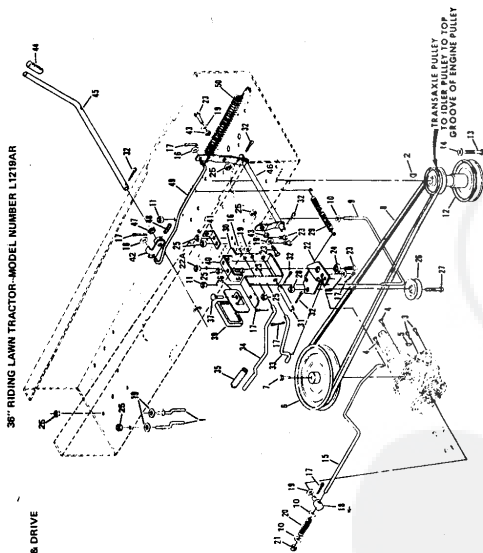
ELECTRIC & ENGINE

KEY NO.	PART NO.	DESCRIPTION
1	3220P	Spark Plug
2	6450R	Coil
3	4832H	Headlight Socket
4	4832H	Headlight Socket
5	71105	Wiring Harness
6	71105	Wiring Harness
7	71105	Wiring Harness
8	5959P	Neutral Safety Switch
9	5959P	Neutral Safety Switch
10	4400R	Ignition Switch (Inc. Ref No. 12)
11	7567H	Key Set
12	7567H	Key Set
13	7567H	Key Set
14	7567H	Key Set
15	7567H	Key Set
16	7567H	Key Set
17	578P	Solenoid
18	1006P	Washer, Lock No. 10, 24 UNF
19	1006P	Washer, Lock No. 10, 24 UNF
20	1006P	Washer, Lock No. 10, 24 UNF
21	67187	Lockwasher S18
22	1507P	Battery Rod
23	1507P	Battery Rod
24	1507P	Battery Rod
25	577P	Wing Nut 1/4", 20 UNF
26	577P	Wing Nut 1/4", 20 UNF
27	577P	Wing Nut 1/4", 20 UNF
28	2521R	Insulated Clip
29	2521R	Insulated Clip
30	2521R	Insulated Clip
31	2521R	Insulated Clip
32	2521R	Insulated Clip
33	2521R	Insulated Clip
34	2521R	Insulated Clip
35	2521R	Insulated Clip
36	2521R	Insulated Clip
37	2521R	Insulated Clip
38	2521R	Insulated Clip
39	2521R	Insulated Clip
40	2521R	Insulated Clip
41	2521R	Insulated Clip
42	2521R	Insulated Clip
43	7730R	Light Switch
44	7730R	Light Switch
45	7730R	Light Switch
46	1505P	*Washer 9/32 x 5/8 x 1/8 Gd.
47	1505P	*Washer 9/32 x 5/8 x 1/8 Gd.
48	1505P	*Washer 9/32 x 5/8 x 1/8 Gd.
49	5007R	*Nut 1/4", 20 UNF
50	5007R	*Nut 1/4", 20 UNF
51	5007R	*Nut 1/4", 20 UNF
52	5007R	*Nut 1/4", 20 UNF
53	5007R	*Nut 1/4", 20 UNF
54	5007R	*Nut 1/4", 20 UNF
55	5007R	*Nut 1/4", 20 UNF
56	5007R	*Nut 1/4", 20 UNF
57	5007R	*Nut 1/4", 20 UNF
58	5007R	*Nut 1/4", 20 UNF
59	5007R	*Nut 1/4", 20 UNF
60	5007R	*Nut 1/4", 20 UNF
61	5007R	*Nut 1/4", 20 UNF
62	5007R	*Nut 1/4", 20 UNF
63	5007R	*Nut 1/4", 20 UNF
64	5007R	*Nut 1/4", 20 UNF
65	5007R	*Nut 1/4", 20 UNF
66	5007R	*Nut 1/4", 20 UNF
67	5007R	*Nut 1/4", 20 UNF
68	5007R	*Nut 1/4", 20 UNF
69	5007R	*Nut 1/4", 20 UNF
70	5007R	*Nut 1/4", 20 UNF
71	5007R	*Nut 1/4", 20 UNF
72	5007R	*Nut 1/4", 20 UNF
73	5007R	*Nut 1/4", 20 UNF
74	5007R	*Nut 1/4", 20 UNF
75	5007R	*Nut 1/4", 20 UNF
76	5007R	*Nut 1/4", 20 UNF
77	5007R	*Nut 1/4", 20 UNF
78	5007R	*Nut 1/4", 20 UNF
79	5007R	*Nut 1/4", 20 UNF
80	5007R	*Nut 1/4", 20 UNF
81	5007R	*Nut 1/4", 20 UNF
82	5007R	*Nut 1/4", 20 UNF
83	5007R	*Nut 1/4", 20 UNF
84	5007R	*Nut 1/4", 20 UNF
85	5007R	*Nut 1/4", 20 UNF
86	5007R	*Nut 1/4", 20 UNF
87	5007R	*Nut 1/4", 20 UNF
88	5007R	*Nut 1/4", 20 UNF
89	5007R	*Nut 1/4", 20 UNF
90	5007R	*Nut 1/4", 20 UNF
91	5007R	*Nut 1/4", 20 UNF
92	5007R	*Nut 1/4", 20 UNF
93	5007R	*Nut 1/4", 20 UNF
94	5007R	*Nut 1/4", 20 UNF
95	5007R	*Nut 1/4", 20 UNF
96	5007R	*Nut 1/4", 20 UNF
97	5007R	*Nut 1/4", 20 UNF
98	5007R	*Nut 1/4", 20 UNF
99	5007R	*Nut 1/4", 20 UNF
100	5007R	*Nut 1/4", 20 UNF

*STANDARD HARDWARE-PURCHASE LOCALLY
 OPTIONAL EQUIPMENT
 Spark Arrestor, Muller, L24BAR

REPAIR PARTS

CLUTCH-BRAKE & DRIVE

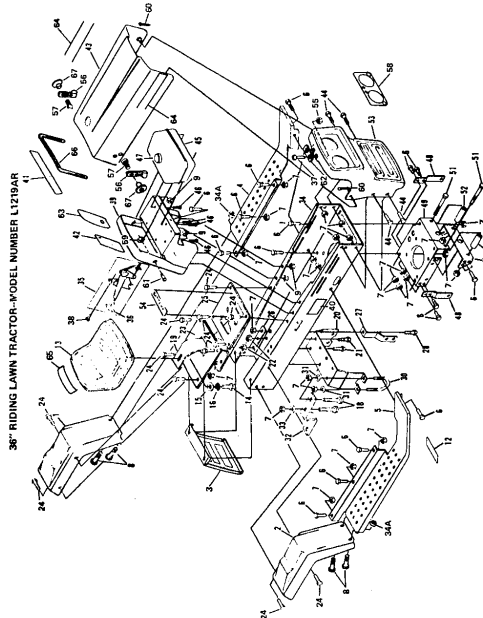


REF. NO.	PART NO.	DESCRIPTION
1	71200	Blk Guide
2	60599	Screw, Hex Head w/Washer
3	60599	Screw, Hex Head w/Washer
4	6000P	Washer, 1/8 x 1-1/8
5	52889	Pulley, 1/8 x 1-1/8
6	72842	Pulley, 1/8 x 1-1/8
7	60599	Screw, Hex Head w/Washer
8	72394	V-Belt, 1/8 x 1-1/8
9	1611P	Washer, 1/8 x 1-1/8
10	1611P	Washer, 1/8 x 1-1/8
11	71820	Screw, Machine w/Ext. Lockwasher
12	71820	Screw, Machine w/Ext. Lockwasher
13	6000P	Washer, 3/8 x 1-1/4 x 6 Ga.
14	1610P	Washer, 1/8 x 1-1/8
15	1607P	Washer, 1/8 x 1-1/8
16	2003P	Washer, 1/8 x 1-1/8
17	1609P	Washer, 1/8 x 1-1/8
18	1609P	Washer, 1/8 x 1-1/8
19	1609P	Washer, 1/8 x 1-1/8
20	5119P	Washer, 1/8 x 1-1/8
21	71001	Locknut w/Washer 5/16 - 18 UNC
22	71001	Locknut w/Washer 5/16 - 18 UNC
23	500P	Spring

*STANDARD HARDWARE - PURCHASE LOCALLY

REPAIR PARTS

CHASSIS

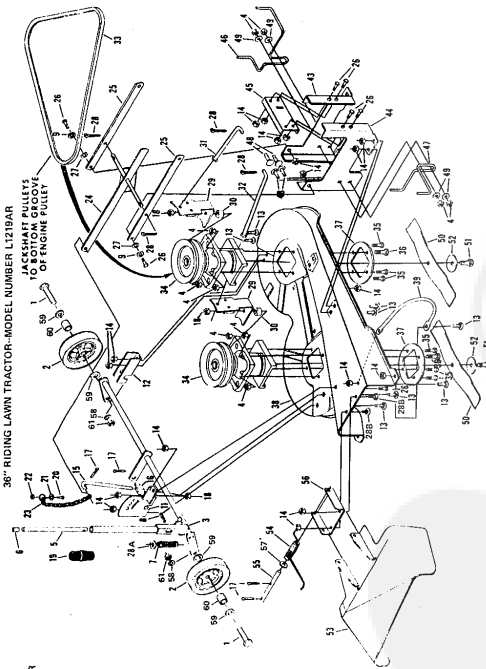


REF. NO.	PART NO.	DESCRIPTION
1	388U	Front B.R.K.
2	388U	Front B.R.K.
3	1538L	Rear Cover
4	1540L	Rear Cover
5	1540L	Rear Cover
6	571P	Nut, Lock 5/16 - 18 UNC
7	571P	Nut, Lock 5/16 - 18 UNC
8	3000P	Bolt, Hex Head 5/16 - 18 x 1/2
9	1133L	Washer, 5/16 - 18 x 3/4
10	1133L	Washer, 5/16 - 18 x 3/4
11	3042P	Washer, 1/2 x 3/4
12	1540L	Rear Cover
13	1540L	Rear Cover
14	3012P	Bolt, Hex Head 5/16 - 18 x 1-1/4 G.
15	3012P	Bolt, Hex Head 5/16 - 18 x 1-1/4 G.
16	3012P	Bolt, Hex Head 5/16 - 18 x 1-1/4 G.
17	3012P	Bolt, Hex Head 5/16 - 18 x 1-1/4 G.
18	3012P	Bolt, Hex Head 5/16 - 18 x 1-1/4 G.
19	3012P	Bolt, Hex Head 5/16 - 18 x 1-1/4 G.
20	3012P	Bolt, Hex Head 5/16 - 18 x 1-1/4 G.
21	3012P	Bolt, Hex Head 5/16 - 18 x 1-1/4 G.
22	1750L	Cover Plate, 3/4" Thick
23	1750L	Cover Plate, 3/4" Thick
24	5822P	Chassis Cover
25	67742P	Chassis Cover
26	67742P	Chassis Cover
27	71198	Washer, 5/16 x 3/4 x 11 Ga.
28	71198	Washer, 5/16 x 3/4 x 11 Ga.
29	71198	Washer, 5/16 x 3/4 x 11 Ga.
30	71008	Washer, 5/16 x 3/4 x 11 Ga.
31	71008	Washer, 5/16 x 3/4 x 11 Ga.
32	1610P	Washer, 1/8 x 3/4 x 11 Ga.
33	1610P	Washer, 1/8 x 3/4 x 11 Ga.
34	1610P	Washer, 1/8 x 3/4 x 11 Ga.
35	5822P	Chassis Cover

*STANDARD HARDWARE - PURCHASE LOCALLY

REPAIR PARTS

MOWER

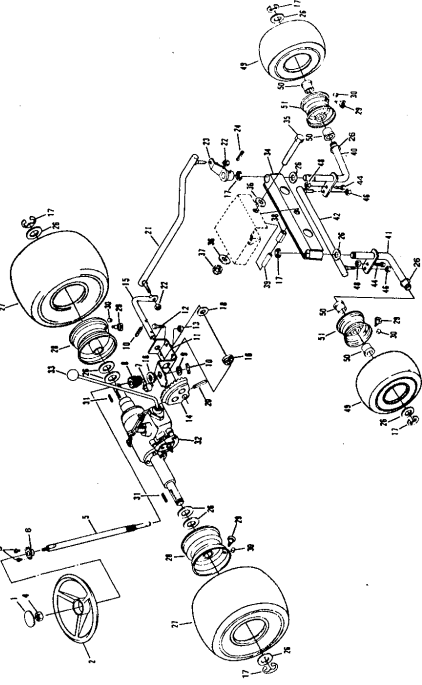


38" RIDING LAWN TRACTOR—MODEL NUMBER L1219AR

JACKSHAF PULLEYS TO BOTTOM GROOVE OF ENGINE PULLEY

REPAIR PARTS

STEERING AND WHEELS



36" RIDING LAWN TRACTOR—MODEL NUMBER L1219AR

REPAIR PARTS

MOWER

38" RIDING LAWN TRACTOR—MODEL NUMBER L1219AR

REF. NO.	PART NO.	DESCRIPTION	REF. NO.	PART NO.	DESCRIPTION
1	3198P	Hex Bolt 3/8" x 2 1/2" - 24 Gr. 5	29	877A46	Brake Assembly
2	877A13A	Front Rod Assembly	30	506J	Steering Wheel
3	166J	Nut, Lock 3/8" - 16 UNC	31	7152Z	Brake Rod - R.H.
4	849R	Cap - Lever Plunger	32	7152Y	Brake Rod - L.H.
5	849R	Cap - Lever Plunger	33	794151A	Traverse Assembly (Model 143.68A) (See Pages 24 and 25)
6	849R	Cap - Lever Plunger	34	877A181	Jackshaft Assembly
7	849R	Cap - Lever Plunger	35	1564J	Bushing
8	849R	Cap - Lever Plunger	36	1564K	Bushing
9	849R	Cap - Lever Plunger	37	1564L	Bushing
10	849R	Cap - Lever Plunger	38	71647	Pin, Drive Lock
11	849R	Cap - Lever Plunger	39	71647	Pin, Drive Lock
12	849R	Cap - Lever Plunger	40	71647	Pin, Drive Lock
13	849R	Cap - Lever Plunger	41	71647	Pin, Drive Lock
14	849R	Cap - Lever Plunger	42	71647	Pin, Drive Lock
15	849R	Cap - Lever Plunger	43	71647	Pin, Drive Lock
16	849R	Cap - Lever Plunger	44	71647	Pin, Drive Lock
17	849R	Cap - Lever Plunger	45	71647	Pin, Drive Lock
18	849R	Cap - Lever Plunger	46	71647	Pin, Drive Lock
19	849R	Cap - Lever Plunger	47	71647	Pin, Drive Lock
20	849R	Cap - Lever Plunger	48	71647	Pin, Drive Lock
21	849R	Cap - Lever Plunger	49	71647	Pin, Drive Lock
22	849R	Cap - Lever Plunger	50	71647	Pin, Drive Lock
23	849R	Cap - Lever Plunger	51	71647	Pin, Drive Lock
24	849R	Cap - Lever Plunger	52	71647	Pin, Drive Lock
25	849R	Cap - Lever Plunger	53	71647	Pin, Drive Lock
26	849R	Cap - Lever Plunger	54	71647	Pin, Drive Lock
27	849R	Cap - Lever Plunger	55	71647	Pin, Drive Lock
28	849R	Cap - Lever Plunger	56	71647	Pin, Drive Lock
29	849R	Cap - Lever Plunger	57	71647	Pin, Drive Lock
30	849R	Cap - Lever Plunger	58	71647	Pin, Drive Lock
31	849R	Cap - Lever Plunger	59	71647	Pin, Drive Lock
32	849R	Cap - Lever Plunger	60	71647	Pin, Drive Lock
33	849R	Cap - Lever Plunger	61	71647	Pin, Drive Lock

* STANDARD HARDWARE—PURCHASE LOCALLY

REPAIR PARTS

STEERING AND WHEELS

36" RIDING LAWN TRACTOR—MODEL NUMBER L1219AR

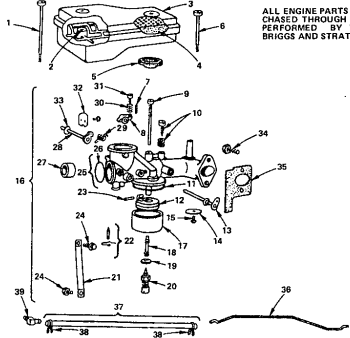
REF. NO.	PART NO.	DESCRIPTION	REF. NO.	PART NO.	DESCRIPTION
1	1114J	Steering Wheel Insert	29	86139	Valve Stem
2	506J	Steering Wheel	30	59192	Valve Cup
3	944E	Nut, Lock 1/2" Type AB	31	794151A	Traverse Assembly (Model 143.68A) (See Pages 24 and 25)
4	1564J	Bushing	32	55862	Rocker Bar Assembly - L.H.
5	1564K	Bushing	33	877A81	Rocking Arm Assembly - L.H.
6	1564L	Bushing	34	877A81	Rocking Arm Assembly - R.H.
7	1564M	Bushing	35	1813P	Washer, 1/32" x 7/8" x 1/8" Gt.
8	74851	Pin, Hex Head 3/8" - 16 x 1 1/2"	36	87151	Ball Lock 1/2" - 13 UNC
9	74851	Pin, Hex Head 3/8" - 16 x 1 1/2"	37	87151	Ball Lock 1/2" - 13 UNC
10	52379	Spring Pin 3/16" x 1 1/2" x 11 Gt.	38	87151	Ball Lock 1/2" - 13 UNC
11	52379	Spring Pin 3/16" x 1 1/2" x 11 Gt.	39	71188	Pin, Spool
12	52379	Spring Pin 3/16" x 1 1/2" x 11 Gt.	40	72237	Kingpin Assembly - L.H.
13	52379	Spring Pin 3/16" x 1 1/2" x 11 Gt.	41	72237	Kingpin Assembly - R.H.
14	52379	Spring Pin 3/16" x 1 1/2" x 11 Gt.	42	50219	Pin, Lock
15	52379	Spring Pin 3/16" x 1 1/2" x 11 Gt.	43	50219	Pin, Lock
16	52379	Spring Pin 3/16" x 1 1/2" x 11 Gt.	44	50219	Pin, Lock
17	52379	Spring Pin 3/16" x 1 1/2" x 11 Gt.	45	50219	Pin, Lock
18	52379	Spring Pin 3/16" x 1 1/2" x 11 Gt.	46	50219	Pin, Lock
19	52379	Spring Pin 3/16" x 1 1/2" x 11 Gt.	47	50219	Pin, Lock
20	52379	Spring Pin 3/16" x 1 1/2" x 11 Gt.	48	50219	Pin, Lock
21	52379	Spring Pin 3/16" x 1 1/2" x 11 Gt.	49	50219	Pin, Lock
22	52379	Spring Pin 3/16" x 1 1/2" x 11 Gt.	50	50219	Pin, Lock
23	52379	Spring Pin 3/16" x 1 1/2" x 11 Gt.	51	50219	Pin, Lock
24	52379	Spring Pin 3/16" x 1 1/2" x 11 Gt.	52	50219	Pin, Lock
25	52379	Spring Pin 3/16" x 1 1/2" x 11 Gt.	53	50219	Pin, Lock
26	52379	Spring Pin 3/16" x 1 1/2" x 11 Gt.	54	50219	Pin, Lock
27	52379	Spring Pin 3/16" x 1 1/2" x 11 Gt.	55	50219	Pin, Lock
28	52379	Spring Pin 3/16" x 1 1/2" x 11 Gt.	56	50219	Pin, Lock
29	52379	Spring Pin 3/16" x 1 1/2" x 11 Gt.	57	50219	Pin, Lock
30	52379	Spring Pin 3/16" x 1 1/2" x 11 Gt.	58	50219	Pin, Lock
31	52379	Spring Pin 3/16" x 1 1/2" x 11 Gt.	59	50219	Pin, Lock
32	52379	Spring Pin 3/16" x 1 1/2" x 11 Gt.	60	50219	Pin, Lock
33	52379	Spring Pin 3/16" x 1 1/2" x 11 Gt.	61	50219	Pin, Lock

* STANDARD HARDWARE—PURCHASE LOCALLY

REPAIR PARTS

36" RIDING LAWN TRACTOR-MODEL NUMBER L1219AR
BRIGGS & STRATTON 11 H.P. ENGINE-MODEL NO. 252707, TYPE NO. 0172-01

AIR CLEANER AND CARBURETOR



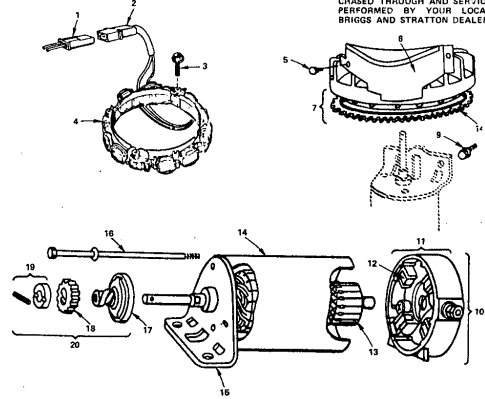
ALL ENGINE PARTS MUST BE PURCHASED THROUGH AND SERVICE PERFORMED BY YOUR LOCAL BRIGGS AND STRATTON DEALER.

KEY NO.	PART NO.	DESCRIPTION	KEY NO.	PART NO.	DESCRIPTION
1	93323	Screw - Air Cleaner	24	93572	Screw
2	280118	Support - Air Cleaner Element	25	391787	Body Ass'y. - Carburetor (Inc. No. 26)
3	391796	Cleaner Ass'y. - Air (Inc. No's. 2 & 4)	26	221997	*Plug - Wash
4	270843	Element - Air Cleaner	27	211960	Venturi - Carburetor
5	270853	Gasket - Air Cleaner	28	390894	Shaft & Lever - Choke
6	93322	Screw - Air Cleaner	29	261115	Spring - Choke Return
7	93043	Pin - Throttle Stop	30	26157	Spring - Throttle Adjustment
8	211712	Stop - Throttle	31	91520	Screw - Machine, Flat, Hd. 8-32 x 5/8"
9	296740	Nozzle - Carburetor	32	222010	Valve Choke
10	292681	*Valve Ass'y. - Carburetor Idle	33	270382	Washer - Choke Shaft
11	270811	*Gasket - Float Bowl	34	93537	Screw - Carburetor Mtg.
12	299707	Float - Carburetor	35	270872	*Gasket - Carburetor Mtg.
13	391512	Shaft & Lever - Throttle	36	291274	Link - Choke
14	222858	Valve - Throttle	37	296004	Pipe - Fuel (Inc. No. 38)
15	93499	Screw - Throttle & Choke Valve Mtg.	38	93053	Clamp - Fuel Pipe
16	393410	Carburetor Ass'y. (Choke-A-Matic) (Inc. No's. 7 thru 23)	39	67218	Connector - Fuel Pipe
17	221995	Bowl - Float			
18	230652	*Screw - Nozzle			*INCLUDED IN CARBURETOR OVERHAUL KIT - PART NO. 299852
19	222014	*Washer - Float Bowl			*INCLUDED IN GASKET SET - PART NO. 393411
20	391233	*Valve - Needle			
21	222311	Bracket - Carburetor			
22	299098	*Valve - Fuel Inlet			
23	230696	*Pin - Float Hinge			

REPAIR PARTS

36" RIDING LAWN TRACTOR-MODEL NUMBER L1219AR
BRIGGS & STRATTON 11 H.P. ENGINE-MODEL NO. 252707, TYPE NO. 0172-01

ALTERNATOR AND STARTER MOTOR GROUP

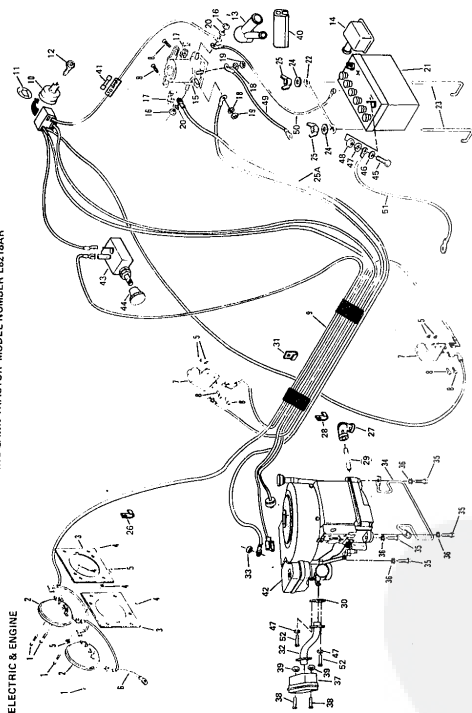


ALL ENGINE PARTS MUST BE PURCHASED THROUGH AND SERVICE PERFORMED BY YOUR LOCAL BRIGGS AND STRATTON DEALER.

KEY NO.	PART NO.	DESCRIPTION	KEY NO.	PART NO.	DESCRIPTION
1	393362	Alt. Harness Assembly	10	392749	Motor and Drive Ass'y. (12 Volt) (Inc. No's. 11 thru 20)
2	393456	Diode and Comm. Assembly	11	390846	End Cap Ass'y. Commutator (Inc. No. 12)
3	93621	Screw - Set	12	391705	Brush Ass'y.
4	394474	Stator - Alternator	13	390233	Armature Ass'y.
5	53410	Screw - Set	14	392744	Housing Ass'y.
6	390233	Cover and Shield - Starter	15	392061	End Cap Ass'y. Drive
7	391968	Flywheel & Ring Gear Ass'y. - Magneto (Inc. No. 14)	16	391705	Thru Bolt Ass'y.
8	393134	Gear - Ring (Inc. Mounting Parts)	17	391125	Catch Ass'y.
9	93623	Screw - Set	18	280104	Gear
			19	391462	Retainer & Pin
			20	391461	Drive Ass'y. (Inc. No's. 17, 18 & 19)

REPAIR PARTS

ELECTRIC & ENGINE



36" RIDING LAWN TRACTOR-MODEL NUMBER L821BAR

REPAIR PARTS

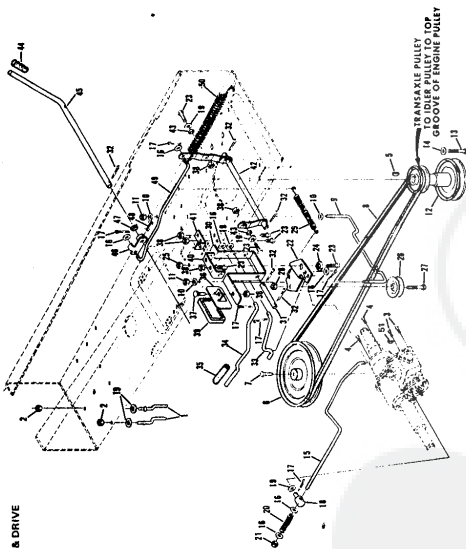
ELECTRIC & ENGINE

KEY NO.	PART NO.	DESCRIPTION	KEY NO.	PART NO.	DESCRIPTION
1	65421	Screw, Machine Truss Head	27	4017P	Sd. Elbow 90° 3/8" - 18 NPT
2	6452R	Headlight	28	3245R	Insulated Clip
3	23025	Headlight Support - 24"	29	391233	Washer - 9/32 x 5/8 x 1/8 Gh.
4	661P	Nut, Lock No. 10 - 24	30	72144	Exhaust Gasket
5	661P	Nut, Lock No. 10 - 24	31	72144	Exhaust Gasket
6	7755R	Screw, Machine Phillips Head	32	74714	Exhaust Tube
7	7755R	Screw, Machine Phillips Head	33	59480	Nut, Lock 1/4" - 20
8	3359P	Wire Harness	34	59480	Nut, Lock 1/4" - 20
9	478	Key - Set	35	5968P	Screw, Hex, Hd., Thrd. Rolling
10	8557R	Terminal Identifier	36	1004P	Washer - Lock 3/8"
11	8557R	Terminal Identifier	37	2715	Marbler
12	2522H	Key - Set (Dual)	38	2715	Marbler
13	2522H	Key - Set (Dual)	39	5492Z	Nut, Lock 5/16" - 18
14	252J	Terminal Cover	40	5347R	Flare - 20 Arms
15	539R	Nut, Hex Jam 5/16" - 24	41	19107	Engine - Briggs and Stratton 8 H.P. (Inc. Paper 20 thru 28)
16	539R	Nut, Hex Jam 5/16" - 24	42	7738R	Light Switch
17	608B1	Washer, 208 x 750 x .063	43	7738R	Light Switch
18	5439P	Nut, Hex No. 10 - 32	44	2023P	*Hex Bolt 1/4" - 20 x 3/4
19	5439P	Nut, Hex No. 10 - 32	45	1506P	*Washer 9/32 x 5/8 x 1/8 Gh.
20	2282P	Washer, 208 x 750 x .063	46	8039P	*Hex Nut 1/4" - 20
21	2282P	Washer, 208 x 750 x .063	47	8039P	*Hex Nut 1/4" - 20
22	5714P	Wire - Solenoid to Starter	48	8039P	*Hex Nut 1/4" - 20
23	5714P	Wire - Solenoid to Starter	49	8039P	*Hex Nut 1/4" - 20
24	5961	Insulated Clip	50	8039P	*Hex Nut 1/4" - 20
25	5961	Insulated Clip	51	8039P	*Hex Nut 1/4" - 20
26	2521R	Insulated Clip	52	8039P	*Hex Nut 1/4" - 20

*STANDARD HARDWARE PURCHASE LOCALLY

REPAIR PARTS

36" RIDING LAWN TRACTOR—MODEL NUMBER LZ21BAR
CLUTCH BRAKE & DRIVE



REPAIR PARTS

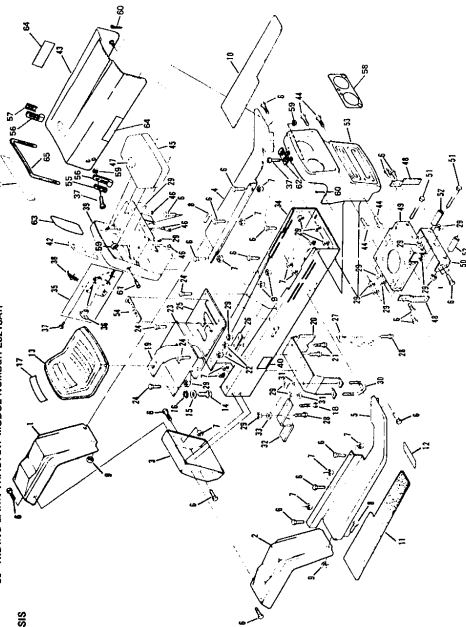
36" RIDING LAWN TRACTOR—MODEL NUMBER LZ21BAR
CLUTCH BRAKE & DRIVE

KEY PART NO.	DESCRIPTION	KEY PART NO.	DESCRIPTION
1	Roller Guide	23	*Nut, Hex Head 5/16 - 18 x 3/4
2	*Nut, Lock 5/16 - 18	24	Brake Pin
3	Screw, Hex Head w/Washer	25	*Nut, Lock 5/16 - 18
4	Screw, Hex Head w/Washer	26	*Nut, Hex Head 3/8 - 16 x 1 - 1/2
5	*Key, Woodruff No. 6	27	*Spring, 1.50" Dia. x 1.50" High
6	*Pulley, Transaxle	28	*Spring, 1.50" Dia. x 1.50" High
7	*Washer, 3/8 x .750 x .063	29	*Spring, 1.50" Dia. x 1.50" High
8	*Washer, 3/8 x .750 x .063	30	*Spring, 1.50" Dia. x 1.50" High
9	*Washer, 3/8 x .750 x .063	31	*Spring, 1.50" Dia. x 1.50" High
10	*Washer, 3/8 x .750 x .063	32	*Spring, 1.50" Dia. x 1.50" High
11	*Washer, 3/8 x .750 x .063	33	*Spring, 1.50" Dia. x 1.50" High
12	*Washer, 3/8 x .750 x .063	34	*Spring, 1.50" Dia. x 1.50" High
13	*Washer, 3/8 x .750 x .063	35	*Spring, 1.50" Dia. x 1.50" High
14	*Washer, 3/8 x .750 x .063	36	*Spring, 1.50" Dia. x 1.50" High
15	*Washer, 3/8 x .750 x .063	37	*Spring, 1.50" Dia. x 1.50" High
16	*Washer, 3/8 x .750 x .063	38	*Spring, 1.50" Dia. x 1.50" High
17	*Washer, 3/8 x .750 x .063	39	*Spring, 1.50" Dia. x 1.50" High
18	*Washer, 3/8 x .750 x .063	40	*Spring, 1.50" Dia. x 1.50" High
19	*Washer, 3/8 x .750 x .063	41	*Spring, 1.50" Dia. x 1.50" High
20	*Washer, 3/8 x .750 x .063	42	*Spring, 1.50" Dia. x 1.50" High
21	*Washer, 3/8 x .750 x .063	43	*Spring, 1.50" Dia. x 1.50" High
22	*Washer, 3/8 x .750 x .063	44	*Spring, 1.50" Dia. x 1.50" High

*STANDARD HARDWARE—PURCHASE LOCALLY

REPAIR PARTS

36" RIDING LAWN TRACTOR—MODEL NUMBER LZ21BAR
CHASSIS



REPAIR PARTS

36" RIDING LAWN TRACTOR—MODEL NUMBER LZ21BAR
CHASSIS

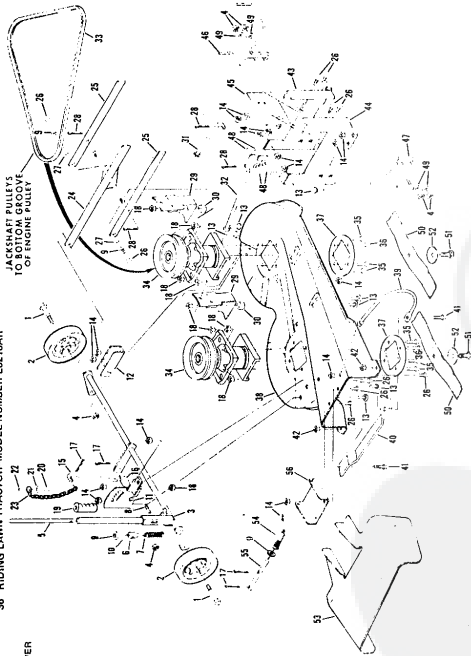
KEY PART NO.	DESCRIPTION	KEY PART NO.	DESCRIPTION
1	*Frame, L.H.	35	Throttle Control Lever (Inc. Key No. 28)
2	*Frame, R.H.	36	*Screw, Machine Cap 10 - 24 x 1/2
3	*Foot Rest, L.H.	37	*Nut, Speed No. 10 - 24
4	*Foot Rest, R.H.	38	*Decal, B
5	*Nut, Lock 5/16 - 18 x 3/4	39	*Decal, C
6	*Nut, Lock 5/16 - 18	40	*Decal, D
7	*Nut, Lock 5/16 - 18	41	*Decal, E
8	*Nut, Lock 5/16 - 18	42	*Decal, F
9	*Nut, Lock 5/16 - 18	43	*Decal, G
10	*Nut, Lock 5/16 - 18	44	*Decal, H
11	*Nut, Lock 5/16 - 18	45	*Decal, I
12	*Nut, Lock 5/16 - 18	46	*Decal, J
13	*Nut, Lock 5/16 - 18	47	*Decal, K
14	*Nut, Lock 5/16 - 18	48	*Decal, L
15	*Nut, Lock 5/16 - 18	49	*Decal, M
16	*Nut, Lock 5/16 - 18	50	*Decal, N
17	*Nut, Lock 5/16 - 18	51	*Decal, O
18	*Nut, Lock 5/16 - 18	52	*Decal, P
19	*Nut, Lock 5/16 - 18	53	*Decal, Q
20	*Nut, Lock 5/16 - 18	54	*Decal, R
21	*Nut, Lock 5/16 - 18	55	*Decal, S
22	*Nut, Lock 5/16 - 18	56	*Decal, T
23	*Nut, Lock 5/16 - 18	57	*Decal, U
24	*Nut, Lock 5/16 - 18	58	*Decal, V
25	*Nut, Lock 5/16 - 18	59	*Decal, W
26	*Nut, Lock 5/16 - 18	60	*Decal, X
27	*Nut, Lock 5/16 - 18	61	*Decal, Y
28	*Nut, Lock 5/16 - 18	62	*Decal, Z
29	*Nut, Lock 5/16 - 18	63	*Decal, AA
30	*Nut, Lock 5/16 - 18	64	*Decal, AB
31	*Nut, Lock 5/16 - 18	65	*Decal, AC
32	*Nut, Lock 5/16 - 18	66	*Decal, AD
33	*Nut, Lock 5/16 - 18	67	*Decal, AE
34	*Nut, Lock 5/16 - 18	68	*Decal, AF

*STANDARD HARDWARE—PURCHASE LOCALLY

REPAIR PARTS

36" RIDING LAWN TRACTOR—MODEL NUMBER LB21BAR

MOWER



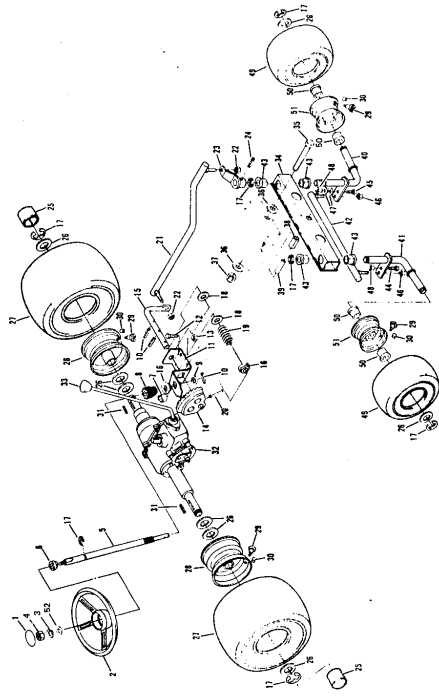
KEY NO.	PART NO.	DESCRIPTION
1	6053R	Axle Bolt
2	71071	Front Rod
3	71071	Front Rod Assembly
4	694A1	Nut, Lock 3/8 - 16
5	71071	Washer, 23/32 x 7/8 x .063
6	71071	Purser
7	71071	Spring Pin - Slotted 1/4 x 1 - 1/2
8	44990	Washer, 23/32 x 7/8 x .063
9	5999R	Clamp
10	72917	Clamp
11	72917	Clamp
12	597	Spring Pin - Slotted 1/4 x 1 - 1/2
13	597	Spring Pin - Slotted 1/4 x 1 - 1/2
14	6710R	Nut, Lock 5/16 - 18
15	71071	Washer, 23/32 x 7/8 x .063
16	71071	Washer, 23/32 x 7/8 x .063
17	71071	Washer, 23/32 x 7/8 x .063
18	71071	Washer, 23/32 x 7/8 x .063
19	71071	Washer, 23/32 x 7/8 x .063
20	71071	Washer, 23/32 x 7/8 x .063
21	71071	Washer, 23/32 x 7/8 x .063
22	71071	Washer, 23/32 x 7/8 x .063
23	71071	Washer, 23/32 x 7/8 x .063
24	71071	Washer, 23/32 x 7/8 x .063
25	71071	Washer, 23/32 x 7/8 x .063
26	71071	Washer, 23/32 x 7/8 x .063
27	71071	Washer, 23/32 x 7/8 x .063
28	2909P	Center Pin 1/8 x 1

*STANDARD HARDWARE—PURCHASE LOCALLY

REPAIR PARTS

36" RIDING LAWN TRACTOR—MODEL NUMBER LB21BAR

STEERING & WHEELS



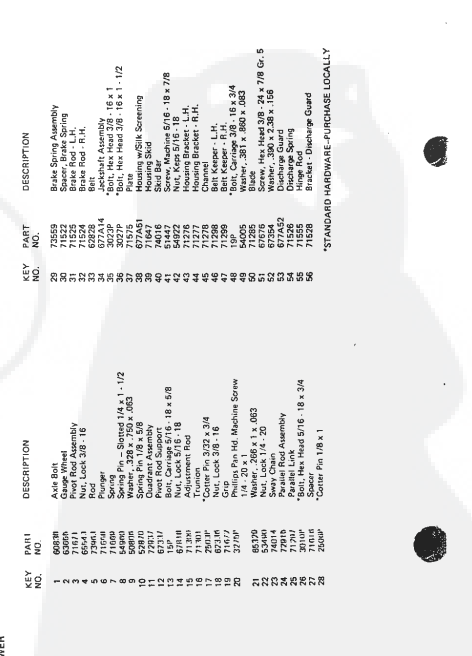
KEY NO.	PART NO.	DESCRIPTION
1	6053R	Axle Bolt
2	6053R	Axle Bolt
3	1000P	Steering Wheel
4	6053R	Axle Bolt
5	74279	Washer, 23/32 x 7/8 x .063
6	74279	Washer, 23/32 x 7/8 x .063
7	74279	Washer, 23/32 x 7/8 x .063
8	74279	Washer, 23/32 x 7/8 x .063
9	74279	Washer, 23/32 x 7/8 x .063
10	52739	Washer, 23/32 x 7/8 x .063
11	52739	Washer, 23/32 x 7/8 x .063
12	52739	Washer, 23/32 x 7/8 x .063
13	52739	Washer, 23/32 x 7/8 x .063
14	52739	Washer, 23/32 x 7/8 x .063
15	52739	Washer, 23/32 x 7/8 x .063
16	52739	Washer, 23/32 x 7/8 x .063
17	52739	Washer, 23/32 x 7/8 x .063
18	52739	Washer, 23/32 x 7/8 x .063
19	52739	Washer, 23/32 x 7/8 x .063
20	52739	Washer, 23/32 x 7/8 x .063
21	52739	Washer, 23/32 x 7/8 x .063
22	52739	Washer, 23/32 x 7/8 x .063
23	52739	Washer, 23/32 x 7/8 x .063
24	52739	Washer, 23/32 x 7/8 x .063
25	52739	Washer, 23/32 x 7/8 x .063
26	52739	Washer, 23/32 x 7/8 x .063
27	52739	Washer, 23/32 x 7/8 x .063
28	71653	Rim

*STANDARD HARDWARE—PURCHASE LOCALLY

REPAIR PARTS

36" RIDING LAWN TRACTOR—MODEL NUMBER LB21BAR

MOWER

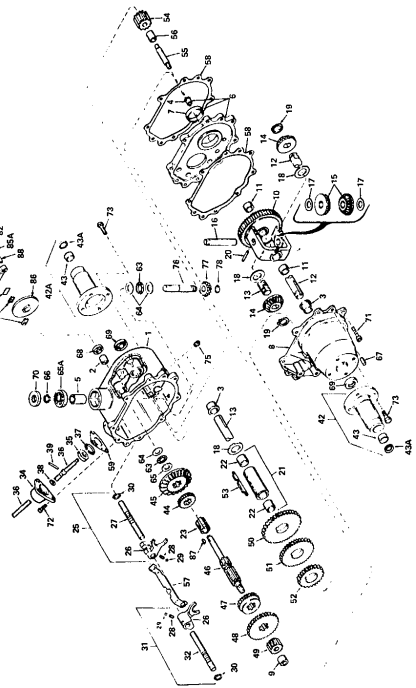


KEY NO.	PART NO.	DESCRIPTION
29	72559	Brake Spring Assembly
30	71225	Brake Rod - R.H.
31	71225	Brake Rod - L.H.
32	62524	Washer, 23/32 x 7/8 x .063
33	62524	Washer, 23/32 x 7/8 x .063
34	62524	Washer, 23/32 x 7/8 x .063
35	62524	Washer, 23/32 x 7/8 x .063
36	3027P	Washer, 23/32 x 7/8 x .063
37	3027P	Washer, 23/32 x 7/8 x .063
38	62524	Washer, 23/32 x 7/8 x .063
39	62524	Washer, 23/32 x 7/8 x .063
40	62524	Washer, 23/32 x 7/8 x .063
41	51457	Washer, 23/32 x 7/8 x .063
42	51457	Washer, 23/32 x 7/8 x .063
43	51457	Washer, 23/32 x 7/8 x .063
44	71277	Washer, 23/32 x 7/8 x .063
45	71277	Washer, 23/32 x 7/8 x .063
46	71277	Washer, 23/32 x 7/8 x .063
47	71277	Washer, 23/32 x 7/8 x .063
48	71277	Washer, 23/32 x 7/8 x .063
49	71277	Washer, 23/32 x 7/8 x .063
50	71277	Washer, 23/32 x 7/8 x .063
51	71277	Washer, 23/32 x 7/8 x .063
52	71277	Washer, 23/32 x 7/8 x .063
53	67162	Discharge Guard
54	71626	Discharge Spring
55	71626	Discharge Spring
56	71626	Discharge Spring
57	71626	Discharge Spring
58	71626	Discharge Spring
59	71626	Discharge Spring
60	71626	Discharge Spring

*STANDARD HARDWARE—PURCHASE LOCALLY

REPAIR PARTS

36" RIDING LAWN TRACTOR-MODEL NUMBER L8218AR
TRANSAXLE NO. 794191-MODEL NUMBER 143.658



REPAIR PARTS

36" RIDING LAWN TRACTOR-MODEL NUMBER L8218AR
TRANSAXLE NO. 794191-MODEL NUMBER 143.658

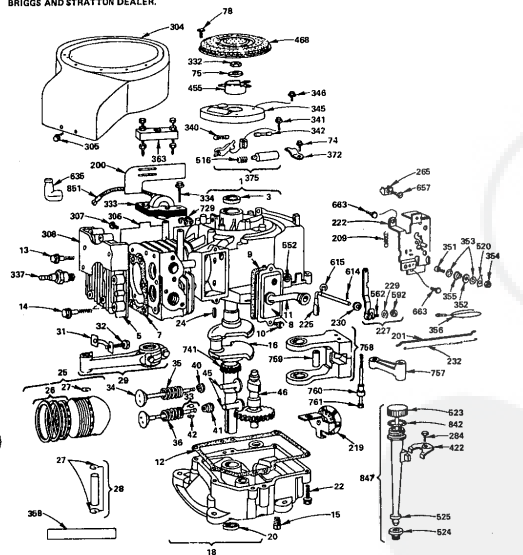
KEY NO.	PART NO.	DESCRIPTION	KEY NO.	PART NO.	DESCRIPTION
42A	795042	Complete Transaxle	227	391733	Lever Assy. - Governor (For 14" Dia. Crank)
44	796224	Gear (16 Teeth)	229	220680	Washer - Flat
45	796224	Gear (16 Teeth)	230	224540	Washer - Gov. Lever (1 1/4" I.D.)
46	796224	Gear (16 Teeth)	232	260584	Spring - Governor Link
47	796224	Gear (16 Teeth)	265	221535	Clamp - Casing
48	796224	Gear (16 Teeth)	266	93054	Screw - Clamp Mfg.
49	796224	Gear (16 Teeth)	304	381379	Housing - Blower
50	796224	Gear (16 Teeth)	305	381379	Screw - Blower Housing Mounting Sem
51	796224	Gear (16 Teeth)	306	222830	Shield - Cylinder
52	796224	Gear (16 Teeth)	307	93153	Screw - Cylinder Shield Mfg. Sem
53	796224	Gear (16 Teeth)	308	222636	Cover - Cylinder Head
54	796224	Gear (16 Teeth)	332	93284	Nut - Flywheel
55	796224	Gear (16 Teeth)	333	238988	Armature Assembly
56	796224	Gear (16 Teeth)	334	93381	Screw - Armature Mounting Sem
57	796224	Gear (16 Teeth)	337	233918	Plug - Spark (1 - 1/2" High - 3/8 M.M. Resistor)
58	796224	Gear (16 Teeth)	340	20218	NOTE: Ignition Cable Terminal No. 221798
59	796224	Gear (16 Teeth)	341	93381	Spring - Breaker Arm
60	796224	Gear (16 Teeth)	342	65704	Screw - Breaker Arm Mounting Sem
61	796224	Gear (16 Teeth)	343	65704	Plunger - Breaker Point
62	796224	Gear (16 Teeth)	345	221117	Cover - Breaker Point
63	796224	Gear (16 Teeth)	346	93014	Screw - Sem
64	796224	Gear (16 Teeth)	351	93755	Washer - Insulating
65	796224	Gear (16 Teeth)	352	69068	Washer - Lock Shakerproof
66	796224	Gear (16 Teeth)	353	93791	Washer - Lock Shakerproof
67	796224	Gear (16 Teeth)	354	90576	Nut - Hex 8 - 32
68	796224	Gear (16 Teeth)	355	95554	Collar - Insulating
69	796224	Gear (16 Teeth)	356	299500	Wire - Ground
70	796224	Gear (16 Teeth)	358	299577	Gasket Set
71	796224	Gear (16 Teeth)	363	19165	Pusher - Flywheel
72	796224	Gear (16 Teeth)	372	220477	Clamp - Condenser
73	796224	Gear (16 Teeth)	375	238428	Breaker Points and Condenser Set
74	796224	Gear (16 Teeth)	422	NOTE: 299081 Ignition Kit Includes 294626 Point Set, 05704 Plunger, 81760 Key, Flywheel	
75	796224	Gear (16 Teeth)	455	227501	Clamp - Oil Filler Tube
76	796224	Gear (16 Teeth)	458	227502	Cup - Screen Mounting
77	796224	Gear (16 Teeth)	523	391840	Screen - Flush Rotating
78	796224	Gear (16 Teeth)	524	68838	Seal - Filler Tube
79	796224	Gear (16 Teeth)	525	90133	Tube - Oil Filler
80	796224	Gear (16 Teeth)	562	231055	Bushing - Gov. Crank (1 1/4" I.D.)
81	796224	Gear (16 Teeth)	563	93103	Bob - Governor Lever
82	796224	Gear (16 Teeth)	592	231082	Nut - Hex 10 - 24
83	796224	Gear (16 Teeth)	614	93306	Cotter - Hair Pin
84	796224	Gear (16 Teeth)	615	93307	Retainer - E Ring
			635	66538	Elbow - Spark Plug
			651	93490	Screw - Sem
			663	93572	Screw
			729	22190	Clip - Wire
			741	261195	Gear - Timing
			757	211875	Link - Counterweight
			768	390172	Counterweight Assy.
			759	298909	Pin - Counterweight
			760	238948	Spacer - Counterweight
			761	93874	Screw - Counterweight
			782	270920	Seal - Filler Cap
			802	392086	Filler Group - Oil
			847	221798	Terminal - Ignition Cable
					NOTE: Ignition Cable Terminal No. 221798

REPAIR PARTS

36" RIDING LAWN TRACTOR-MODEL NUMBER L8218AR
BRIGGS & STRATTON 8 H.P. ENGINE-MODEL NO. 191707, TYPE NO. 5627-01

CYLINDER, CRANKSHAFT AND ENGINE BASE GROUP

ALL ENGINE PARTS MUST BE PURCHASED THROUGH AND SERVICE PERFORMED BY YOUR LOCAL BRIGGS & STRATTON DEALER.



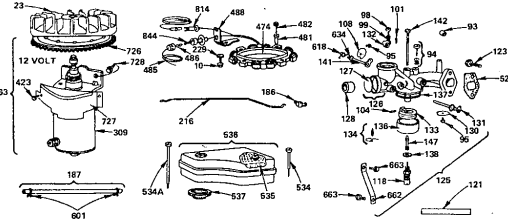
REPAIR PARTS

36" RIDING LAWN TRACTOR-MODEL NUMBER L8218AR
BRIGGS & STRATTON 8 H.P. ENGINE-MODEL NO. 191707, TYPE NO. 5627-01

KEY NO.	PART NO.	DESCRIPTION	KEY NO.	PART NO.	DESCRIPTION
1	392005	Cylinder Assembly (Inc. Key No. 3)	227	391733	Lever Assy. - Governor (For 14" Dia. Crank)
2	391726	Shafting - Cylinder	229	220680	Washer - Flat
3	294506	Seal - Oil	230	224540	Washer - Gov. Lever (1 1/4" I.D.)
4	212885	Head - Cylinder	232	260584	Spring - Governor Link
5	270430	Gasket - Valve Cover	265	221535	Clamp - Casing
6	391406	Breaker Tube Assembly	266	93054	Screw - Clamp Mfg.
7	278033	Gasket - Valve Cover	304	381379	Housing - Blower
8	93394	Screw - Sem	305	381379	Screw - Blower Housing Mounting Sem
9	280055	Tube - Breaker	306	222830	Shield - Cylinder
10	227500	*Gasket - Crankcase Cover - 1/84"	307	93153	Screw - Cylinder Shield Mfg. Sem
11	227500	Thick	308	222636	Cover - Cylinder Head
12	27876	*Gasket - Crankcase Cover -.005"	332	93284	Nut - Flywheel
13	27877	Thin	333	238988	Armature Assembly
14	93211	*Gasket - Crankcase Cover -.008"	334	93381	Screw - Armature Mounting Sem
15	93211	Thin	337	233918	Plug - Spark (1 - 1/2" High - 3/8 M.M. Resistor)
16	93211	Screw - Cylinder Head (3" Long)	340	20218	NOTE: Ignition Cable Terminal No. 221798
17	91094	Plug, Oil Drain	341	93381	Spring - Breaker Arm
18	391752	Crankshaft	342	65704	Screw - Breaker Arm Mounting Sem
19	298516	Scrap - Oil (Inc. Key No's. 12 & 20)	343	65704	Plunger - Breaker Point
20	298423	Scrap - Oil	345	221117	Cover - Breaker Point
21	85085	Screw - Sump	346	93014	Screw - Sem
22	81760	Key - Flywheel	351	93755	Washer - Insulating
23	391673	Piston Assy. - Std.	352	69068	Washer - Lock Shakerproof
24	391674	Piston Assy. - .010" O.S.	353	93791	Washer - Lock Shakerproof
25	391675	Piston Assy. - .020" O.S.	354	90576	Nut - Hex 8 - 32
26	391676	Piston Assy. - .030" O.S.	355	95554	Collar - Insulating
27	391668	Ring Set - Piston - Std.	356	299500	Wire - Ground
28	299743	Ring Set - Piston - Std. Chrome	358	299577	Gasket Set
29	391870	Ring Set - Piston - .010" O.S.	363	19165	Pusher - Flywheel
30	391871	Ring Set - Piston - .020" O.S.	372	220477	Clamp - Condenser
31	391872	Ring Set - Piston - .030" O.S.	375	238428	Breaker Points and Condenser Set
32	68546	Lock - Piston Pin	422	NOTE: 299081 Ignition Kit Includes 294626 Point Set, 05704 Plunger, 81760 Key, Flywheel	
33	205840	Pin Assembly - Piston - Standard	455	227501	Clamp - Oil Filler Tube
34	285841	Pin Assembly - Piston - .005" O.S.	458	227502	Cup - Screen Mounting
35	390402	Rod Assy. - Connecting	468	227502	Screen - Flush Rotating
36	221114	Screw - Connecting Rod Screw	523	391840	Seal - Filler Tube
37	390413	Valve - Exhaust	524	68838	Seal - Filler Tube
38	261065	Valve - Intake	525	90133	Tube - Oil Filler
39	69006	Spring - Intake Valve	562	231055	Bushing - Gov. Crank (1 1/4" I.D.)
40	23528	Spring - Exhaust Valve	563	93103	Bob - Governor Lever
41	221596	Retainer - Intake Valve	592	231082	Nut - Hex 10 - 24
42	282760	Rotocool - Exhaust Valve	614	93306	Cotter - Hair Pin
43	93303	Retainer - Exhaust Valve Rotocool	615	93307	Retainer - E Ring
44	293333	Tappet - Valve	635	66538	Elbow - Spark Plug
45	211689	Gear - Cam	651	93490	Screw - Sem
46	93042	Screw - Sems	663	93572	Screw
47	220698	Washer - Spring	729	22190	Clip - Wire
48	93038	Screw - Sem	741	261195	Gear - Timing
49	221760	Guide - Air	757	211875	Link - Counterweight
50	260911	Link - Governor	768	390172	Counterweight Assy.
51	261308	Spring - Governor	759	298909	Pin - Counterweight
52	392718	Oil Slinger - Gov. Gear and Bracket Assembly	760	238948	Spacer - Counterweight
53	390662	Plate - Gov. Control	761	93874	Screw - Counterweight
54	231098	Crank - Gov. (1 1/4" Dia.)	782	270920	Seal - Filler Cap
			802	392086	Filler Group - Oil
			847	221798	Terminal - Ignition Cable
			851		NOTE: Ignition Cable Terminal No. 221798

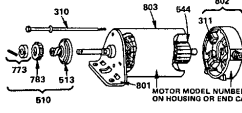
REPAIR PARTS

36" RIDING LAWN TRACTOR-MODEL NUMBER L8218AR
BRIGGS & STRATTON 8 H.P. ENGINE-MODEL NO. 191707, TYPE NO. 5627-01
AIR CLEANER, CARBURETOR AND FLYWHEEL GROUP



KEY NO.	PART NO.	DESCRIPTION	KEY NO.	PART NO.	DESCRIPTION
10	53394	Screw - Sem	216	381117	Link Clutch
23	391483	Flywheel and Ring Gear Ass'y. - Magneto	229	220680	Washer, Flat
52	27824	Gasket - Carburetor Mounting	309	392749	Motor and Drive Ass'y. (See Break-down of Parts Below)
53	23108	Bushing - Throttle Shaft	423	59410	Screw - Sem
84	26261	Valve Assembly - Carburetor Idle	474	391532	Screw - Sem
85	83499	Screw - Throttle and Choke Valve Mtg.	481	238970	Bushing - Stator
96	91920	Screw - Machine Fill, Hd. 8 - 32 x 5/8"	482	39321	Screw - Sem
99	26157	Spring - Throttle Adjustment	485	390888	Knob Ass'y. - Fuse
101	83043	Pin - Throttle Stop	486	391507	Diode - Alternator
104	238986	*Pin - Float Hinge	488	222211	Bracket - Output
108	222010	*Valve Choke	534	59522	Screw - Air Cleaner
118	391233	*Valve Needle	534A	93223	Screw - Air Cleaner
121	29852	Carburetor Overhaul Kit	536	391399	Cleaner Assembly - Air
123	53387	Screw - Carburetor Mtg.	536	270539	Cleaner Element (Plastic)
125	393811	Carburetor Assembly	537	270539	Gasket - Air Cleaner
126	298851	Body Assembly - Carburetor	601	93053	Clamp - Fuel Pipe
127	211927	*Plug - Wash	618	281116	Spring - Choke Return
128	211682	Venturi - Carburetor	634	270382	Washer - Choke Shaft
130	221898	Valve - Throttle	662	222027	Bracket - Carburetor
131	391512	Shaft and Lever - Throttle	663	93672	Screw
132	211712	Stop - Throttle	726	392134	Gear - Ring
133	289707	Float - Carburetor	727	392233	Cover and Shield - Starter
136	268906	Valve - Fuel Inlet	728	93623	Screw - Sem
138	221898	Bowl - Float	753	391604	Electric Starter Kit - 12 Volt (Gear Drive)
137	27081	*Gasket - Float Bowl	814	390887	Wire - Assembly - 7 Amp. Alternator
138	222014	*Washer - Float Bowl	814	391389	Spring - Diode
141	390884	Shaft and Lever - Choke			
142	289740	Washer - Carburetor			
147	299322	*Screw - Nozzle			
158	67218	Connector - Fuel Pipe			
167	296004	Pipe - Fuel			

STARTER MOTOR GROUP

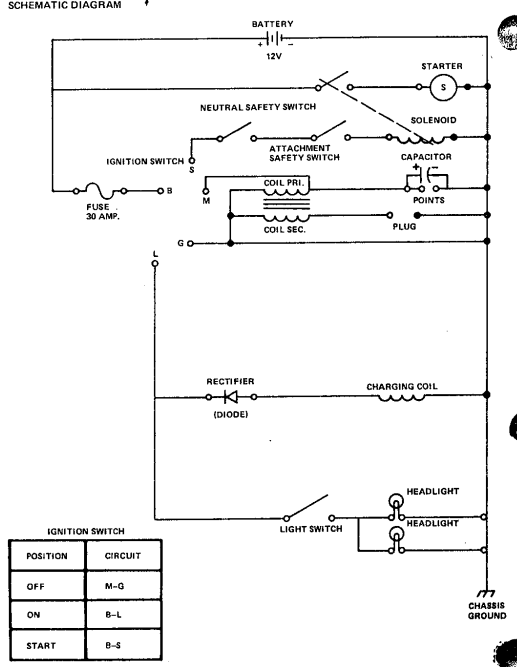


KEY NO.	PART NO.	DESCRIPTION
310	391708	Thru Bolt Ass'y.
311	391706	Brush Ass'y.
510	391461	*Drive Ass'y.
544	392747	Armature Ass'y.
601	391761	End Cap Ass'y. Drive
802	390848	*End Cap Ass'y. Commutator
803	392744	Housing Ass'y.

*Includes Brush Set
*Includes No. 381135 Clutch Ass'y. (Key No. 513)
*Includes No. 280104 Gear (Key No. 753)
*Includes No. 391462 Retainer and Pin (Key No. 773)

REPAIR PARTS

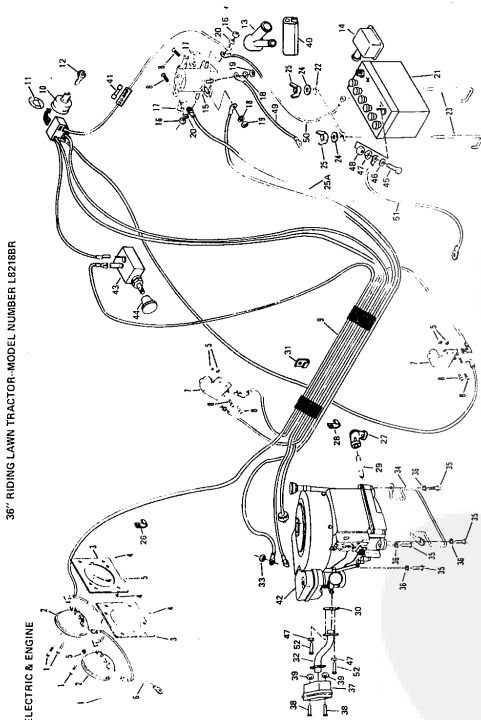
36" RIDING LAWN TRACTOR-MODEL NUMBER L8218AR
SCHEMATIC DIAGRAM



POSITION	CIRCUIT
OFF	M-G
ON	B-L
START	B-S

REPAIR PARTS

ELECTRIC & ENGINE



REPAIR PARTS

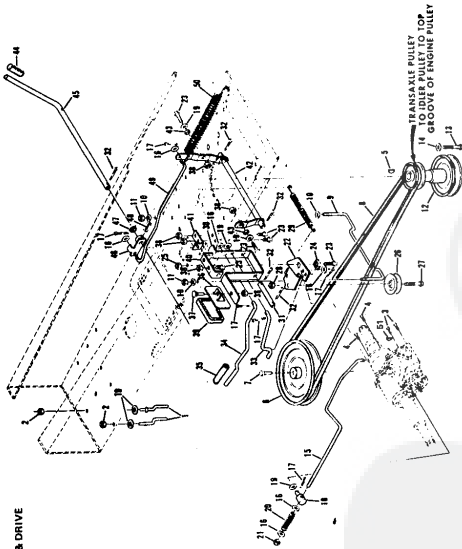
ELECTRIC & ENGINE

KEY NO.	PART NO.	DESCRIPTION
1	66421	Screw - Machine Truss Head
2	6452R	Headlight Support
4	53891	Nut - Lock No. 10 - 24
5	6754R	Washer - Flat
6	71706	Wire Assembly
6	2355R	Safety Switch
6	2355R	Safety Switch - Phillips Head
8	4781	*Washer - Flat
10	4402R	Ignition Switch (Inc. Ref No. 12)
11	8927R	Terminal Identifier
12	5127R	Eye Bolt
13	5127R	Terminal Cover (Dial)
15	7754R	Spring - Coil
17	6088R	Spring - Coil
18	1003P	Nut - Hex Jam 5/16 - 24
18	1003P	Nut - Lock No. 10 - 24
20	1003P	Nut - Lock No. 10 - 24
21	67187	*Lockwasher 5/16 - 32
22	67187	*Lockwasher 5/16 - 32
23	7065	Battery Rod
23	7065	Battery Rod - 750 - 063
25	52231	Wing Nut 1/4 - 20
25	52231	Wing Nut 1/4 - 20
26	2921R	Insulated Clip
26	2921R	Insulated Clip
28	5220R	End Cap Ass'y. Drive
28	5220R	End Cap Ass'y. Drive
29	6754R	Washer - Flat
31	6754R	Washer - Flat
33	45400	End Cap Ass'y. Drive
34	7582P	Belt Keeper Ass'y. Thru Rolling
35	5982P	Roller - 1/8 x 1 - 1/2
37	10715	Washer - Lock 3/8
37	10715	Washer - Lock 3/8
38	2701P	Hex Bolt 5/16 - 18 x 2 - 3/4
40	8711	Spring - Diode
40	8711	Spring - Diode
42	191707	Engine
43	270382	Washer - Choke Shaft
44	7754R	Spring - Coil
46	1503P	*Washer 5/16 - 32
46	1503P	*Washer 5/16 - 32
47	1003P	Nut - Lock No. 10 - 24
47	1003P	Nut - Lock No. 10 - 24
49	8027R	Wire - Ground Solenoid
49	8027R	Wire - Ground Solenoid
51	5961	Ground Cable
51	5961	Ground Cable
51	70541	Cover, Hex Hd. 1/4 - 20 x .62
51	70541	Cover, Hex Hd. 1/4 - 20 x .62
52	2921R	Insulated Clip

*STANDARD HARDWARE PURCHASE LOCALLY

REPAIR PARTS

36" RIDING LAWN TRACTOR-MODEL NUMBER L8218BR
CLUTCH-BRAKE & DRIVE



REPAIR PARTS

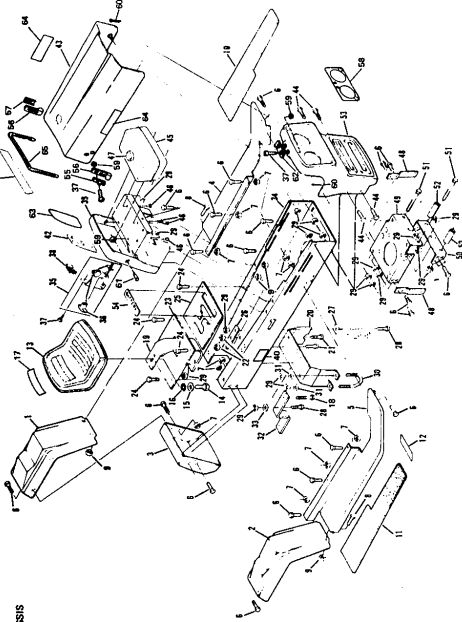
36" RIDING LAWN TRACTOR-MODEL NUMBER L8218BR
CLUTCH-BRAKE & DRIVE

KEY NO.	PART NO.	DESCRIPTION
1	24522	Pin Guide
2	24522	Nut, Lock 5/16 - 18
3	65205	Screw, Hex Head w/Washer
4	65206	Screw, Hex Head w/Washer
5	65203	Screw, Hex Head 3/8 - 16 x 1 - 1/2
6	73542	Kit, Woodruff No. 6
7	65205	Washer
8	65205	Washer
9	71741	Med Set Guide
10	51785	Washer, .600 x .875 x .003
11	51785	Washer, .600 x .875 x .003
12	71823	Pulley, Engine
13	68874	Washer, 3/32 x 3/4
14	67125	Washer, .375 x 1.250 x .201
15	53988	Washer, .606 x .750 x .083
16	53988	Washer, .606 x .750 x .083
17	71738	Trunion
18	71738	Trunion
19	35280	Washer, .328 x .750 x .083
20	35280	Washer, .328 x .750 x .083
21	62536	Nut, Lock 3/8 - 16
22	71201	Idler Bracket

*STANDARD HARDWARE PURCHASE LOCALLY

REPAIR PARTS

36" RIDING LAWN TRACTOR-MODEL NUMBER L8218BR
CHASSIS



REPAIR PARTS

36" RIDING LAWN TRACTOR-MODEL NUMBER L8218BR
CHASSIS

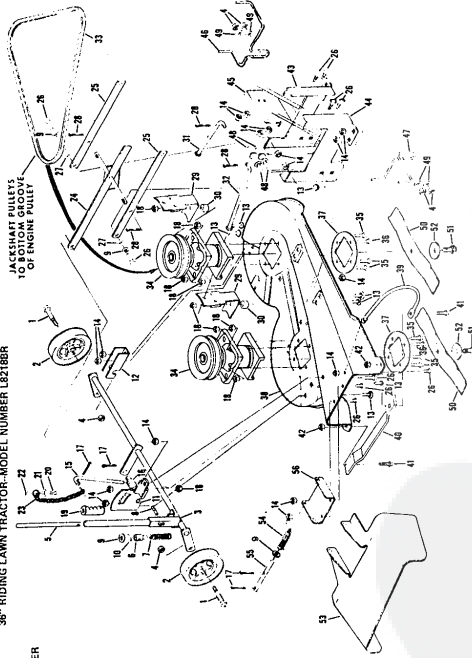
KEY NO.	PART NO.	DESCRIPTION
1	3884	Fender, L.H.
2	3884	Fender, R.H.
3	3884	Fender, L.H.
4	3884	Fender, R.H.
5	3884	Fender, L.H.
6	3884	Fender, R.H.
7	3884	Fender, L.H.
8	3884	Fender, R.H.
9	3884	Fender, L.H.
10	3884	Fender, R.H.
11	3884	Fender, L.H.
12	3884	Fender, R.H.
13	3884	Fender, L.H.
14	3884	Fender, R.H.
15	3884	Fender, L.H.
16	3884	Fender, R.H.
17	3884	Fender, L.H.
18	3884	Fender, R.H.
19	3884	Fender, L.H.
20	3884	Fender, R.H.
21	3884	Fender, L.H.
22	3884	Fender, R.H.
23	3884	Fender, L.H.
24	3884	Fender, R.H.
25	3884	Fender, L.H.
26	3884	Fender, R.H.
27	3884	Fender, L.H.
28	3884	Fender, R.H.
29	3884	Fender, L.H.
30	3884	Fender, R.H.
31	3884	Fender, L.H.
32	3884	Fender, R.H.
33	3884	Fender, L.H.
34	3884	Fender, R.H.
35	3884	Fender, L.H.
36	3884	Fender, R.H.
37	3884	Fender, L.H.
38	3884	Fender, R.H.
39	3884	Fender, L.H.
40	3884	Fender, R.H.
41	3884	Fender, L.H.
42	3884	Fender, R.H.
43	3884	Fender, L.H.
44	3884	Fender, R.H.
45	3884	Fender, L.H.
46	3884	Fender, R.H.
47	3884	Fender, L.H.
48	3884	Fender, R.H.
49	3884	Fender, L.H.
50	3884	Fender, R.H.
51	3884	Fender, L.H.
52	3884	Fender, R.H.
53	3884	Fender, L.H.
54	3884	Fender, R.H.
55	3884	Fender, L.H.
56	3884	Fender, R.H.
57	3884	Fender, L.H.
58	3884	Fender, R.H.
59	3884	Fender, L.H.
60	3884	Fender, R.H.
61	3884	Fender, L.H.
62	3884	Fender, R.H.
63	3884	Fender, L.H.
64	3884	Fender, R.H.
65	3884	Fender, L.H.
66	3884	Fender, R.H.
67	3884	Fender, L.H.
68	3884	Fender, R.H.
69	3884	Fender, L.H.
70	3884	Fender, R.H.
71	3884	Fender, L.H.
72	3884	Fender, R.H.
73	3884	Fender, L.H.
74	3884	Fender, R.H.
75	3884	Fender, L.H.
76	3884	Fender, R.H.
77	3884	Fender, L.H.
78	3884	Fender, R.H.
79	3884	Fender, L.H.
80	3884	Fender, R.H.
81	3884	Fender, L.H.
82	3884	Fender, R.H.
83	3884	Fender, L.H.
84	3884	Fender, R.H.
85	3884	Fender, L.H.
86	3884	Fender, R.H.
87	3884	Fender, L.H.
88	3884	Fender, R.H.
89	3884	Fender, L.H.
90	3884	Fender, R.H.
91	3884	Fender, L.H.
92	3884	Fender, R.H.
93	3884	Fender, L.H.
94	3884	Fender, R.H.
95	3884	Fender, L.H.
96	3884	Fender, R.H.
97	3884	Fender, L.H.
98	3884	Fender, R.H.
99	3884	Fender, L.H.
100	3884	Fender, R.H.

*STANDARD HARDWARE PURCHASE LOCALLY

REPAIR PARTS

36" RIDING LAWN TRACTOR—MODEL NUMBER L8218BR

MOWER

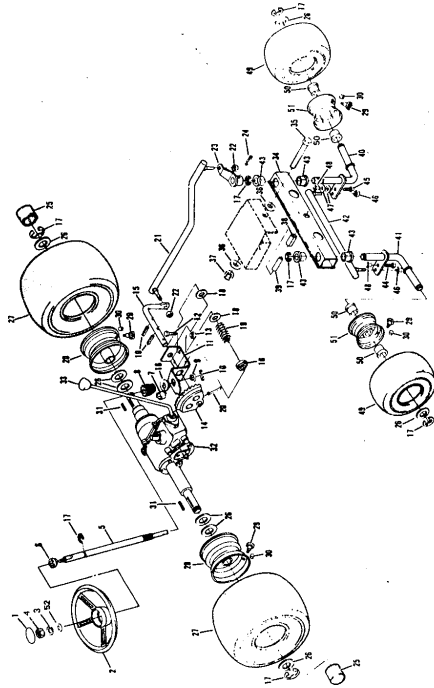


JACKSHAFT PULLEYS
OF ENGINE PULLEY

REPAIR PARTS

36" RIDING LAWN TRACTOR—MODEL NUMBER L8218BR

STEERING & WHEELS



REPAIR PARTS

36" RIDING LAWN TRACTOR—MODEL NUMBER L8218BR

MOWER

KEY NO.	PART NO.	DESCRIPTION
2	65529	Eye Bolt
3	71821	Pin, Rod Assembly
4	71821	Lock Pin, 1/8"
5	73983	Lock Pin, 1/8"
6	71686	Spring
7	71686	Spring
8	54880	Spring Pin - Slotted 1/4 x 1 1/2
9	52274	Spring Pin 1/8 x 5/8
10	52970	Spring Pin 1/8 x 5/8
11	52970	Spring Pin 1/8 x 5/8
12	62337	Power Rod Support
13	159	Pin
14	159	Pin
15	71300	Adjustment Rod
16	62235	Pin, Lock 3/8 - 16
17	23759	Pin
18	62235	Pin, Lock 3/8 - 16
19	62235	Pin, Lock 3/8 - 16
20	23759	Pin
21	65329	Phillips Pan Hd. Machine Screw
22	53800	Nut, Lock 1/4 - 20
23	72915	Washer, 206 x 1.003
24	72915	Parallel Rod Assembly
25	62782	Blade
26	20109	Blade
27	71615	Blade
28	73507	Blade
29	71615	Blade
30	71615	Blade
31	71615	Blade
32	71615	Blade
33	71615	Blade
34	71615	Blade
35	71615	Blade
36	71615	Blade
37	71615	Blade
38	71615	Blade
39	71615	Blade
40	71615	Blade
41	71615	Blade
42	71615	Blade
43	71615	Blade
44	71615	Blade
45	71615	Blade
46	71615	Blade
47	71615	Blade
48	71615	Blade
49	71615	Blade
50	71615	Blade
51	71615	Blade
52	71615	Blade
53	71615	Blade
54	71615	Blade
55	71615	Blade
56	71615	Blade

*STANDARD HARDWARE—PURCHASE LOCALLY

REPAIR PARTS

36" RIDING LAWN TRACTOR—MODEL NUMBER L8218BR

STEERING AND WHEELS

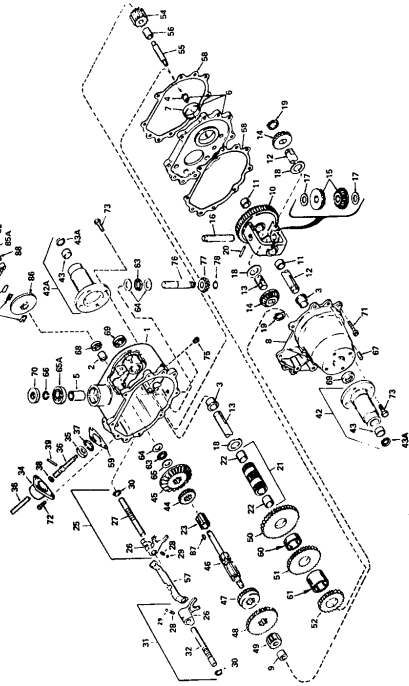
KEY NO.	PART NO.	DESCRIPTION
1	11141	Steering Wheel Inset
2	5001	Steering Wheel
3	5001	Steering Wheel
4	5001	Steering Wheel
5	5001	Steering Wheel
6	71219	Steering Shaft
7	71219	Steering Shaft
8	71219	Steering Shaft
9	69395	Washer, 650 x 1.00 x .127
10	69395	Washer, 650 x 1.00 x .127
11	74579	Steering Arm
12	30709	*Nut, Hex Head 5/16 - 18 x 3/4
13	30709	*Nut, Hex Head 5/16 - 18 x 3/4
14	71172	*Nut, Hex Head 5/16 - 18 x 3/4
15	71172	*Nut, Hex Head 5/16 - 18 x 3/4
16	71209	Blending Rod
17	71209	Blending Rod
18	71209	Blending Rod
19	52913	E Ring 2/4 Shaft .500 x .250
20	52913	E Ring 2/4 Shaft .500 x .250
21	72988	Spring
22	72988	Spring
23	72988	Spring
24	71615	Drive Lock Pin
25	71615	Drive Lock Pin
26	71615	Drive Lock Pin
27	71615	Drive Lock Pin
28	71615	Drive Lock Pin
29	71615	Drive Lock Pin
30	71615	Drive Lock Pin
31	71615	Drive Lock Pin
32	71615	Drive Lock Pin
33	71615	Drive Lock Pin
34	71615	Drive Lock Pin
35	71615	Drive Lock Pin
36	71615	Drive Lock Pin
37	71615	Drive Lock Pin
38	71615	Drive Lock Pin
39	71615	Drive Lock Pin
40	71615	Drive Lock Pin
41	71615	Drive Lock Pin
42	71615	Drive Lock Pin
43	71615	Drive Lock Pin
44	71615	Drive Lock Pin
45	71615	Drive Lock Pin
46	71615	Drive Lock Pin
47	71615	Drive Lock Pin
48	71615	Drive Lock Pin
49	71615	Drive Lock Pin
50	71615	Drive Lock Pin
51	71615	Drive Lock Pin
52	71615	Drive Lock Pin
53	71615	Drive Lock Pin
54	71615	Drive Lock Pin
55	71615	Drive Lock Pin
56	71615	Drive Lock Pin

*STANDARD HARDWARE—PURCHASE LOCALLY

REPAIR PARTS

36" RIDING LAWN TRACTOR-MODEL NUMBER L8218BR
TRANSAXLE NO. 794191A-MODEL NUMBER 143.658A

ALL TRANSEXLE PARTS MUST
BE PURCHASED THROUGH YOUR
LOCAL EQUIPMENT DEALER.



KEY NO.	PART NO.	DESCRIPTION
45	778232	Gov. Bell (25 Teeth)
46	778233	Gov. Shafting (2 1/2 x 1/4)
47	778234	Gov. Gear (12 Teeth)
48	778235	Gov. Shaft (1 1/2 x 1/4)
49	778236	Gov. Gear (12 Teeth)
50	778237	Gov. Gear (12 Teeth)
51	778238	Gov. Shaft (1 1/2 x 1/4)
52	778239	Gov. Gear (12 Teeth)
53	778240	Gov. Gear (12 Teeth)
54	778241	Gov. Gear (12 Teeth)
55	778242	Gov. Gear (12 Teeth)
56	778243	Gov. Gear (12 Teeth)
57	778244	Gov. Gear (12 Teeth)
58	778245	Gov. Gear (12 Teeth)
59	778246	Gov. Gear (12 Teeth)
60	778247	Gov. Gear (12 Teeth)
61	778248	Gov. Gear (12 Teeth)
62	778249	Gov. Gear (12 Teeth)
63	778250	Gov. Gear (12 Teeth)
64	778251	Gov. Gear (12 Teeth)
65	778252	Gov. Gear (12 Teeth)
66	778253	Gov. Gear (12 Teeth)
67	778254	Gov. Gear (12 Teeth)
68	778255	Gov. Gear (12 Teeth)
69	778256	Gov. Gear (12 Teeth)
70	778257	Gov. Gear (12 Teeth)
71	778258	Gov. Gear (12 Teeth)
72	778259	Gov. Gear (12 Teeth)
73	778260	Gov. Gear (12 Teeth)
74	778261	Gov. Gear (12 Teeth)
75	778262	Gov. Gear (12 Teeth)
76	778263	Gov. Gear (12 Teeth)
77	778264	Gov. Gear (12 Teeth)
78	778265	Gov. Gear (12 Teeth)
79	778266	Gov. Gear (12 Teeth)
80	778267	Gov. Gear (12 Teeth)
81	778268	Gov. Gear (12 Teeth)
82	778269	Gov. Gear (12 Teeth)
83	778270	Gov. Gear (12 Teeth)
84	778271	Gov. Gear (12 Teeth)
85	778272	Gov. Gear (12 Teeth)
86	778273	Gov. Gear (12 Teeth)
87	778274	Gov. Gear (12 Teeth)
88	778275	Gov. Gear (12 Teeth)
89	778276	Gov. Gear (12 Teeth)
90	778277	Gov. Gear (12 Teeth)
91	778278	Gov. Gear (12 Teeth)
92	778279	Gov. Gear (12 Teeth)
93	778280	Gov. Gear (12 Teeth)
94	778281	Gov. Gear (12 Teeth)
95	778282	Gov. Gear (12 Teeth)
96	778283	Gov. Gear (12 Teeth)
97	778284	Gov. Gear (12 Teeth)
98	778285	Gov. Gear (12 Teeth)
99	778286	Gov. Gear (12 Teeth)
100	778287	Gov. Gear (12 Teeth)

REPAIR PARTS

36" RIDING LAWN TRACTOR-MODEL NUMBER L8218BR
TRANSAXLE NO. 794191A-MODEL NUMBER 143.658A

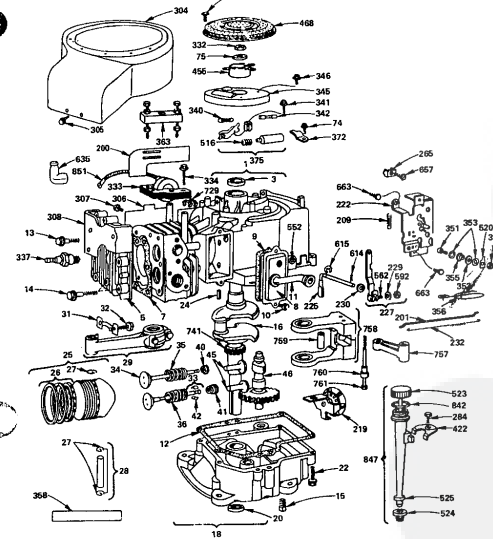
KEY NO.	PART NO.	DESCRIPTION
1	794191A	Complete Transaxle (Inc. No. 2, 3 & 5)
2	794191B	Input Shaft
3	794191C	Output Shaft
4	794191D	Input Gear
5	794191E	Output Gear
6	794191F	Input Gear
7	794191G	Output Gear
8	794191H	Input Gear
9	794191I	Output Gear
10	794191J	Input Gear
11	794191K	Output Gear
12	794191L	Input Gear
13	794191M	Output Gear
14	794191N	Input Gear
15	794191O	Output Gear
16	794191P	Input Gear
17	794191Q	Output Gear
18	794191R	Input Gear
19	794191S	Output Gear
20	794191T	Input Gear
21	794191U	Output Gear
22	794191V	Input Gear
23	794191W	Output Gear
24	794191X	Input Gear
25	794191Y	Output Gear
26	794191Z	Input Gear
27	794191AA	Output Gear
28	794191AB	Input Gear
29	794191AC	Output Gear
30	794191AD	Input Gear
31	794191AE	Output Gear
32	794191AF	Input Gear
33	794191AG	Output Gear
34	794191AH	Input Gear
35	794191AI	Output Gear
36	794191AJ	Input Gear
37	794191AK	Output Gear
38	794191AL	Input Gear
39	794191AM	Output Gear
40	794191AN	Input Gear
41	794191AO	Output Gear
42	794191AP	Input Gear
43	794191AQ	Output Gear
44	794191AR	Input Gear
45	794191AS	Output Gear

REPAIR PARTS

36" RIDING LAWN TRACTOR-MODEL NUMBER L8218BR
BRIGGS & STRATTON 8 H.P. ENGINE-MODEL NO. 191707, TYPE NO. 5627-01

CYLINDER, CRANKSHAFT AND ENGINE BASE GROUP

ALL ENGINE PARTS MUST BE PURCHASED THROUGH AND SERVICE PERFORMED BY YOUR LOCAL BRIGGS & STRATTON DEALER.



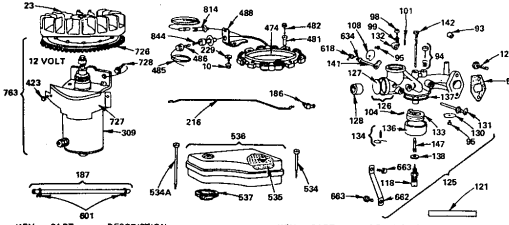
REPAIR PARTS

36" RIDING LAWN TRACTOR-MODEL NUMBER L8218BR
BRIGGS & STRATTON 8 H.P. ENGINE-MODEL NO. 191707, TYPE NO. 5627-01

KEY NO.	PART NO.	DESCRIPTION	KEY NO.	PART NO.	DESCRIPTION
1	392005	Cylinder Assembly (Inc. Key No. 3)	227	391733	Lever Assy. - Governor (For 1/4" Dia Crank)
2	391726	Bushing - Cylinder	228	220680	Washer - Flat
3	294606	Seal - Oil	229	224450	Washer - Gov. Lever Link (1/4" I.D.)
4	212286	Head - Cylinder	230	266584	Spring - Governor Link
5	210430	Gasket - Cylinder	231	221535	Clamp - Casing
6	391406	Breather Tube Assembly	232	63804	Screw - Clamp Mtg.
7	21900	Gasket - Valve Cover	233	391378	Housing - Blower
8	93394	Screw - Sem	234	391388	Screw - Blower Housing Mounting Sem
9	285005	Taber - Breather	235	222530	Shield - Cylinder
10	27750	*Gasket - Crankcase Cover - 1/64" Thick	236	39163	Screw - Cylinder Shield Mtg. Sem
11	27876	*Gasket - Crankcase Cover - .005" Thick	237	222536	Cover - Cylinder Head
12	27877	*Gasket - Crankcase Cover - .009" Thick	238	92294	Nut - Flywheel
13	93211	Screw - Cylinder Head (2 - 21/32" Long)	239	39163	Screw - Cylinder Head Mtg. Sem
14	93723	Screw - Cylinder Head (3" Long)	240	93381	Screw - Armature Mounting Sem
15	91084	Plug - Oil Drain	241	57304	Plug - Spas (1 - 1/2" High - 3/8 M.M. Resistor)
16	391757	Crankshaft	242	345	Spring - Breaker Arm
17	298516	Sump - Oil (Inc. Key No. 12 & 20)	243	57304	Screw - Breaker Arm Mounting Sem
18	298423	Seal - Oil	244	222117	Cover - Breaker Point
19	61760	Screw - Sump	245	39014	Screw - Sem
20	391673	Key - Flywheel	246	93735	Screw - Terminal
21	391674	Piston Assy. - Std.	247	66068	Washer - Insulating
22	391675	Piston Assy. - .010" O.S.	248	93791	Washer - Lock Stakeproof
23	391676	Piston Assy. - .020" O.S.	249	90576	Nut - Hex 8 - 32
24	391677	Piston Assy. - .030" O.S.	250	66054	Collar - Insulating
25	391678	Ring Set - Piston - Std.	251	299500	Wire - Ground
26	299743	Ring Set - Piston - Std. Chrome	252	299577	Gasket Set
27	391679	Ring Set - Piston - .010" O.S.	253	19165	Pulley - Flywheel
28	391680	Ring Set - Piston - .020" O.S.	254	229477	Clamp - Condenser
29	391681	Ring Set - Piston - .030" O.S.	255	294628	Breaker Points and Condenser Set
30	68546	Lock - Piston Pin	256	222502	Clamp - Oil Filler Tube
31	295840	Pin Assembly - Piston - Standard	257	222561	Cup - Screen Mounting
32	295841	Pin Assembly - Piston - .005" O.S.	258	222562	Screen - Fluid Rotating
33	390402	Rod Assy. - Connecting	259	260374	Spring - Connector
34	390403	Rod Assy. - Connecting with .001" Undersize	260	93722	Terminal Splice
35	222114	Lock - Connecting Rod Screw	261	391840	Cap and Dipstick - Oil Filter
36	93059	Screw - Connecting Rod	262	68836	Seal - Filler Tube
37	390419	Valve - Exhaust	263	290133	Tube - Oil Filler
38	291055	Valve - Intake	264	231065	Bushing - Gov. Crank (1/4" I.D.)
39	65906	Spring - Intake Valve	265	52613	Bottom - Governor Lever
40	29828	Spring - Exhaust Valve	266	231082	Nut - Hex 10 - 24
41	231586	Retainer - Intake Valve	267	93306	Collar - Hair Pin
42	292260	Retainer - Exhaust Valve	268	93307	Retainer - E Ring
43	93030	Rotocool - Exhaust Valve	269	86638	Elbow - Spark Plug
44	295933	Tappet - Valve	270	93496	Screw - Sem
45	211689	Gear - Cam	271	93572	Screw
46	53042	Screw - Sems	272	231907	Cup - Wax
47	228865	Washer - Spring	273	261195	Gear - Timing
48	93008	Screw - Sem	274	211676	Link - Counterweight
49	221760	Guide - Air	275	390172	Counterweight Assy.
50	390911	Link - Governor	276	298909	Pin - Counterweight
51	291308	Springs - Gov. Gear and Bracket Assembly	277	230940	Safer - Counterweight
52	390662	Plate - Gov. Control	278	93874	Screw - Counterweight
53	231698	Crank - Gov. (1/4" Dia.)	279	230920	Seal - Filler Cap
			280	392068	Filler Group - Oil
			281	221768	Terminal - Ignition Cable
			282	231698	Crank - Gov. (1/4" Dia.)
			283	231698	Crank - Gov. (1/4" Dia.)
			284	231698	Crank - Gov. (1/4" Dia.)
			285	231698	Crank - Gov. (1/4" Dia.)
			286	231698	Crank - Gov. (1/4" Dia.)
			287	231698	Crank - Gov. (1/4" Dia.)
			288	231698	Crank - Gov. (1/4" Dia.)
			289	231698	Crank - Gov. (1/4" Dia.)
			290	231698	Crank - Gov. (1/4" Dia.)
			291	231698	Crank - Gov. (1/4" Dia.)
			292	231698	Crank - Gov. (1/4" Dia.)
			293	231698	Crank - Gov. (1/4" Dia.)
			294	231698	Crank - Gov. (1/4" Dia.)
			295	231698	Crank - Gov. (1/4" Dia.)

REPAIR PARTS

36" RIDING LAWN TRACTOR—MODEL NUMBER L8218BR
BRIGGS & STRATTON 8 H.P. ENGINE—MODEL NO. 191707, TYPE NO. 5627-01
AIR CLEANER, CARBURETOR AND FLYWHEEL GROUP



KEY NO.	PART NO.	DESCRIPTION	KEY NO.	PART NO.	DESCRIPTION
10	93294	Screw - Serr	216	291117	Link Choke
23	381983	Flywheel and Ring Gear As'y. - Magneto	229	220680	Washer, Flat
52	210824	Gasket - Carburetor Mounting	309	392749	Motor and Drive As'y. (See Break-down of Parts Below)
83	24108	Bushing - Throttle Shaft	423	93410	Screw - Serr
91	294081	Valve Assembly - Carburetor Idle	414	381532	Stator - Alternator
95	53499	Screw - Throttle and Choke Valve Mfg.	481	238970	Bushing - Stator
88	91920	Screw - Machine Fill, Hd. 8 - 32 x 5/8"	482	38621	Screw - Serr
99	26157	Spring - Throttle Adjustment	485	381988	Knob As'y. - Fuse
101	83043	Pin - Throttle Stop	486	381507	Diode - Alternator
104	230896	Pin - Float Hinge	488	222211	Bracket - Output
108	227010	Valve Choke	534	38622	Screw - Air Cleaner
118	391233	Valve Needle	534A	39323	Screw - Air Cleaner
121	298852	Carburetor Overhaul Kit	536	270528	Element - Air Cleaner
123	93357	Screw - Carburetor Mfg.	538	381399	Cleaner Assembly - Air
125	269511	Carburetor Assembly	537	270539	Upper - Air Cleaner Element (Plastic)
126	299851	Body Assembly - Carburetor	601	34053	Gasket - Fuel Pipe
127	221957	Plug - Wash	618	261116	Clamp - Fuel Pipe
128	211682	Venturi - Carburetor	618	261116	Clamp - Fuel Pipe
130	221958	Valve - Throttle	629	220282	Washer - Choke Return
131	381512	Shaft and Lever - Throttle	652	220282	Washer - Choke Return
132	211711	Stop - Throttle	663	220282	Washer - Choke Return
133	285707	Float - Carburetor	725	391134	Screw
134	259096	Stop - Throttle	727	390233	Gear - Ring
136	221995	Bowl - Float	728	390233	Cover and Shield - Starter
137	270511	Gasket - Float Bowl	814	390687	Screw - Serr
141	220014	Washer - Float Bowl	844	261289	Electric Starter Kit - 12 Volt (Gear Drive)
142	390954	Shaft and Lever - Choke			
143	285740	Washer - Carburetor			
147	235872	Nozzle - Carburetor			
148	87218	Connector - Fuel Pipe			
150	256004	Pipe - Fuel			

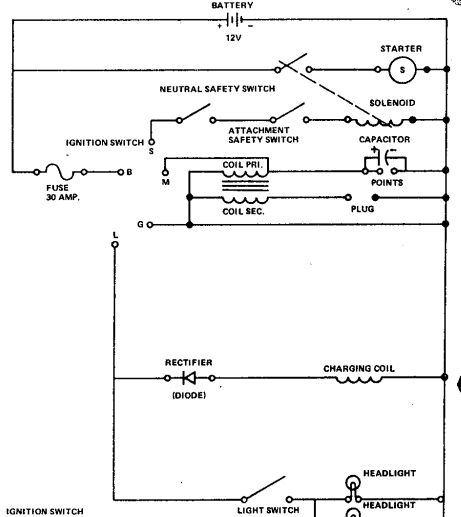
STARTER MOTOR GROUP

KEY NO.	PART NO.	DESCRIPTION
310	391706	Thru Bolt, As'y.
311	381705	Brush As'y.
510	391461	Drive As'y.
511	387747	Armature As'y. Drive
801	381711	End Cap As'y. Drive
802	390846	Housing As'y.
803	392744	Housing As'y.

*Includes Brush Set
*Includes No. 391135 Clutch As'y. (Key No. 513)
*Includes No. 280104 Gear (Key No. 783)
*Includes No. 391462 Retainer and Pin (Key No. 773)

REPAIR PARTS

36" RIDING LAWN TRACTOR—MODEL NUMBER L8218BR
SCHEMATIC DIAGRAM



IGNITION SWITCH

POSITION	CIRCUIT
OFF	M-G
ON	B-L
START	B-S

REPAIR PARTS

36" RIDING LAWN TRACTOR—MODEL NUMBER L8218BR
ELECTRIC & ENGINE



REPAIR PARTS

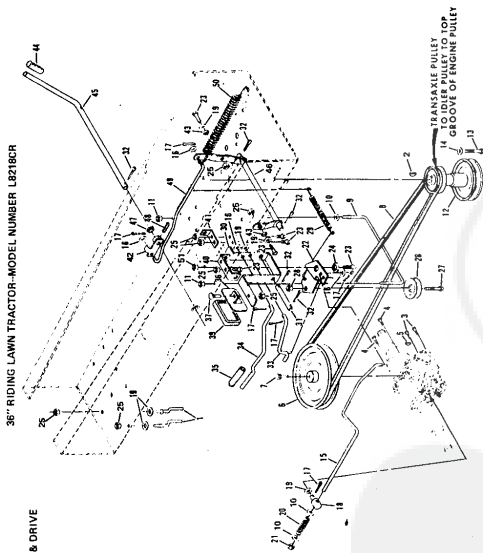
36" RIDING LAWN TRACTOR—MODEL NUMBER L8218BR
ELECTRIC & ENGINE

KEY NO.	PART NO.	DESCRIPTION
1	3228P	Screw, Machine Trust Head No. 10 - 24 x 1
2	645/R	Headlight Support
3	7302S	Headlight
4	561P	Washer, Flat No. 10 - 24 UNC
5	561P	Washer, Flat No. 10 - 24 UNC
6	7125S	Safe Assembly
7	7125S	Safe Assembly
8	3359P	Screw, Machine Phillips Head No. 10 - 24 UNC
9	1795L	Wire Harness
10	7522A	Terminal Cover
11	7522A	Terminal Cover
12	7522A	Terminal Cover
13	225J	Shield Cover
14	7125A/R	Washer, Flat No. 10 - 24 UNC
15	7125A/R	Washer, Flat No. 10 - 24 UNC
16	7125A/R	Washer, Flat No. 10 - 24 UNC
17	578P	*Lockwasher 5/16"
18	1063P	*Lockwasher 1/8"
19	1063P	*Lockwasher 1/8"
20	1063P	*Lockwasher 1/8"
21	8718P	Battery Rod
22	1505S	Battery Rod
23	1505S	Battery Rod
24	1505S	Battery Rod
25	577P	Wing Nut 1/4" - 20 x .62
26	577P	Wing Nut 1/4" - 20 x .62
27	1956L	Insulated Clip
28	2321R	Insulated Clip

*STANDARD HARDWARE—PURCHASE LOCALLY
OPTIONAL EQUIPMENT
1A89.11 Spark Arrestor

REPAIR PARTS

CLUTCH-BRAKE & DRIVE



36" RIDING LAWN TRACTOR—MODEL NUMBER L8218CR

REPAIR PARTS

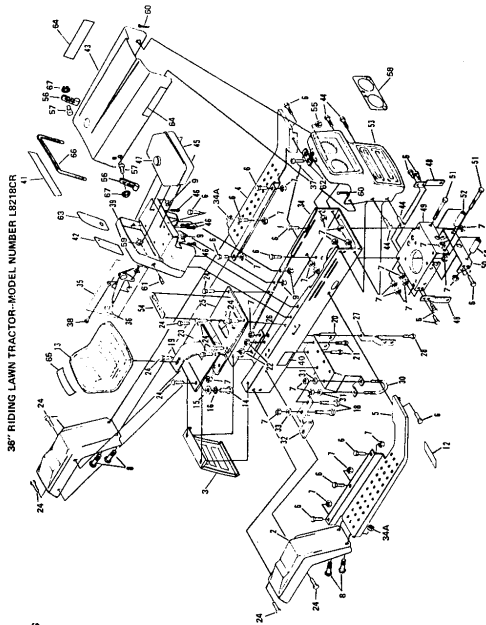
CLUTCH-BRAKE & DRIVE

REF. PART NO.	DESCRIPTION	REF. PART NO.	DESCRIPTION
1	71200 Blt Guide	23	3010P Bolt, Hex Head 5/16 - 18 x 3.4
2	60603 Key, Woodruff No. 6	24	71202 Bushing 5/16 - 18 x 3.4
3	60609 Spring, Compression 1/2" Dia. x 1.5" Ht. x 1.5" Dia.	25	67400 Pulley, Idler 18 UNC
4	6060P Spring, Compression 1/2" Dia. x 1.5" Ht. x 1.5" Dia.	26	67400 Pulley, Idler 18 UNC
5	52859 Key, Woodruff No. E1	27	529P Nut, Lock 1/8 - 18 UNC
6	6060P Spring, Compression 1/2" Dia. x 1.5" Ht. x 1.5" Dia.	28	2044J Spring, Idler
7	6060P Spring, Compression 1/2" Dia. x 1.5" Ht. x 1.5" Dia.	29	2044J Spring, Idler
8	72794 Mid Blt Guide	30	71223 Pin, Cotter 1/8 x 1
9	71241 Brake Rod 1/2" x 18 Ga.	31	71223 Pin, Cotter 1/8 x 1
10	545P Spring, Compression 1/2" Dia. x 1.5" Ht. x 1.5" Dia.	32	74419 Clutch Fork 1/8 x 1
11	545P Spring, Compression 1/2" Dia. x 1.5" Ht. x 1.5" Dia.	33	3733 Park Brake Rod
12	6062P Spring, Compression 1/2" Dia. x 1.5" Ht. x 1.5" Dia.	34	3733 Park Brake Rod
13	6062P Spring, Compression 1/2" Dia. x 1.5" Ht. x 1.5" Dia.	35	71222 Pin, Peen
14	1010P Spring, Compression 1/2" Dia. x 1.5" Ht. x 1.5" Dia.	36	71199 Pin, Peen
15	73792 Brake Rod 1/2" x 18 Ga.	37	67355 Foot Pedal
16	73792 Brake Rod 1/2" x 18 Ga.	38	71222 Pin, Peen
17	2563P Spring, Compression 1/2" Dia. x 1.5" Ht. x 1.5" Dia.	39	71222 Pin, Peen
18	1525B Spring, Compression 1/2" Dia. x 1.5" Ht. x 1.5" Dia.	40	71199 Pin, Peen
19	1525B Spring, Compression 1/2" Dia. x 1.5" Ht. x 1.5" Dia.	41	71222 Pin, Peen
20	71239 Spring, Compression 1/2" Dia. x 1.5" Ht. x 1.5" Dia.	42	72229 Clutch Arm Assembly
21	71201 Lock Washer 5/16 - 18 UNC	43	71226 Clutch Fork
22	71201 Lock Washer 5/16 - 18 UNC	44	71226 Clutch Fork

*STANDARD HARDWARE—PURCHASE LOCALLY

REPAIR PARTS

CHASSIS



36" RIDING LAWN TRACTOR—MODEL NUMBER L8218CR

REPAIR PARTS

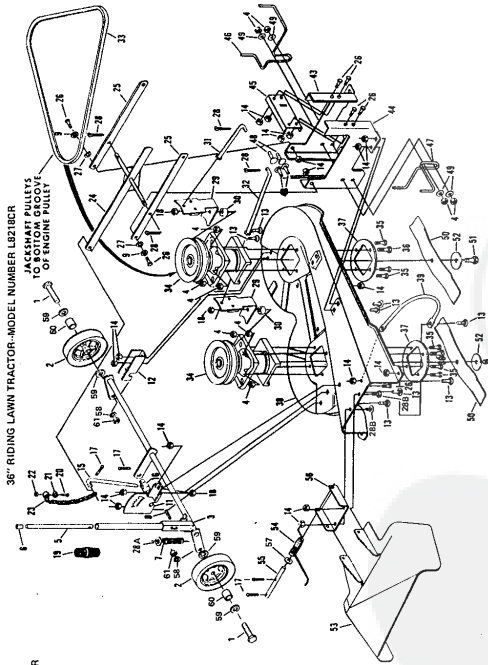
CHASSIS

REF. PART NO.	DESCRIPTION	REF. PART NO.	DESCRIPTION
1	3884 Feder, L.H.	35	1564J Remco Control Assy, R/C
2	3884 Feder, R.H.	36	6122J Seat, Foam
3	1135J Foot Rest, L.H.	37	6122J Seat, Foam
4	1135J Foot Rest, R.H.	38	6090P Spring, Compression 1/2" Dia. x 1.5" Ht. x 1.5" Dia.
5	1460J Foot Rest, R.H. 5/16 - 18 x 3/4	39	6090P Spring, Compression 1/2" Dia. x 1.5" Ht. x 1.5" Dia.
6	529P Nut, Lock 1/8 - 18 UNC	40	75078 Dial, 3"
7	529P Nut, Lock 1/8 - 18 UNC	41	1135J Dial, Connections
8	529P Nut, Lock 1/8 - 18 UNC	42	1135J Dial, Connections
9	529P Nut, Lock 1/8 - 18 UNC	43	67761Z Hood Assy, Washer Hd.
10	529P Nut, Lock 1/8 - 18 UNC	44	3880P Bolt, Hex Head 5/16 - 18 x 3.4
11	529P Nut, Lock 1/8 - 18 UNC	45	72777 Seal, Taper Hd. Phillips Thd. Cutting 1/4 - 20 x 3/4
12	1132J Bolt, Hex Head 1/2 - 13 x 1 1/2	46	72777 Seal, Taper Hd. Phillips Thd. Cutting 1/4 - 20 x 3/4
13	1132J Bolt, Hex Head 1/2 - 13 x 1 1/2	47	74145 Fuel Cap
14	3302P Bolt, Hex Head 5/16 - 18 x 1 - 14 G. 5	48	1885J Engine Bracket
15	1000P Washer, Lock 1/2 - 3/16 x 1 1/4 G. 5	49	1885J Engine Bracket
16	1000P Washer, Lock 1/2 - 3/16 x 1 1/4 G. 5	50	2271P Bolt, Hex Head 5/16 - 18 x 2 - 3/4
17	2010P Transaxle Support	51	2271P Bolt, Hex Head 5/16 - 18 x 2 - 3/4
18	2010P Transaxle Support	52	2271P Bolt, Hex Head 5/16 - 18 x 2 - 3/4
19	2010P Transaxle Support	53	2271P Bolt, Hex Head 5/16 - 18 x 2 - 3/4
20	2010P Transaxle Support	54	2271P Bolt, Hex Head 5/16 - 18 x 2 - 3/4
21	2010P Transaxle Support	55	2271P Bolt, Hex Head 5/16 - 18 x 2 - 3/4
22	2010P Transaxle Support	56	2271P Bolt, Hex Head 5/16 - 18 x 2 - 3/4
23	2010P Transaxle Support	57	2271P Bolt, Hex Head 5/16 - 18 x 2 - 3/4
24	2010P Transaxle Support	58	2271P Bolt, Hex Head 5/16 - 18 x 2 - 3/4
25	67761Z Hood Assy, Washer Hd.	59	2271P Bolt, Hex Head 5/16 - 18 x 2 - 3/4
26	67761Z Hood Assy, Washer Hd.	60	2271P Bolt, Hex Head 5/16 - 18 x 2 - 3/4
27	67761Z Hood Assy, Washer Hd.	61	2271P Bolt, Hex Head 5/16 - 18 x 2 - 3/4
28	67761Z Hood Assy, Washer Hd.	62	2271P Bolt, Hex Head 5/16 - 18 x 2 - 3/4
29	67761Z Hood Assy, Washer Hd.	63	2271P Bolt, Hex Head 5/16 - 18 x 2 - 3/4
30	67761Z Hood Assy, Washer Hd.	64	2271P Bolt, Hex Head 5/16 - 18 x 2 - 3/4
31	67761Z Hood Assy, Washer Hd.	65	2271P Bolt, Hex Head 5/16 - 18 x 2 - 3/4
32	67761Z Hood Assy, Washer Hd.	66	2271P Bolt, Hex Head 5/16 - 18 x 2 - 3/4
33	67761Z Hood Assy, Washer Hd.	67	2271P Bolt, Hex Head 5/16 - 18 x 2 - 3/4
34	67761Z Hood Assy, Washer Hd.		

*STANDARD HARDWARE—PURCHASE LOCALLY

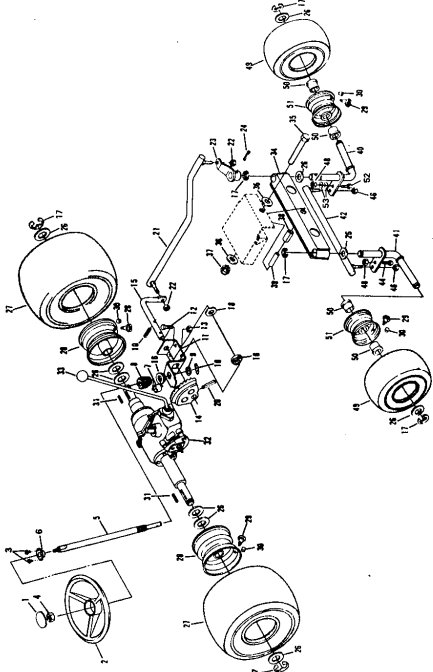
REPAIR PARTS

MOWER



REPAIR PARTS

STEERING AND WHEELS



REPAIR PARTS

MOWER

REF. NO.	PART NO.	DESCRIPTION	REF. NO.	PART NO.	DESCRIPTION
1	3199P	Hex Bolt 3/8" x 2 1/2" x 3/4 Gr. 5	20	677A46	Blade Assembly
2	6728A24	Clutch Wheel Assembly	30	7152Z	Blade Spring
3	545P	Nut, Lock 3/8" - 16 UNC	31	7152A	Blade Rod - R. H.
4	9479R	Cap Lever Plunger	32	7152B	Blade Rod - L. H.
5	6569R	Spring	33	6731A1	Blade Shaft Assembly
6	6569R	Spring	34	6731A2	Blade Shaft Assembly
7	1599P	Washer, 1/162 x 3/4 x 1/8 Ga.	35	3023P	*Bolt, Hex Head 3/8" - 16 x 1 1/2
8	6569R	Spring	36	7152C	Housing w/Clutch Screening
9	1599P	Washer, 1/162 x 3/4 x 1/8 Ga.	37	7152D	Blade
10	67237	Blot, Carriage 5/16" - 18 x 3/4 Gr. 5	38	7152E	Housing Bracket - L. H.
11	71300	Adjustment Rod	39	7152F	Housing Bracket - R. H.
12	67237	Blot, Carriage 5/16" - 18 x 3/4 Gr. 5	40	7152G	Blade
13	576P	Locknut Washer 3/8" - 16 UNC	41	7152H	Blade
14	576P	Locknut Washer 3/8" - 16 UNC	42	7152I	Blade
15	71300	Adjustment Rod	43	299	*Bolt, Hex Head 3/8" - 16 x 1 1/2
16	71300	Adjustment Rod	44	7152J	*Bolt, Hex Head 3/8" - 16 x 1 1/2
17	2523P	*Cover Pin 3/32 x 3/4	45	7152K	*Bolt, Hex Head 3/8" - 16 x 1 1/2
18	71300	Adjustment Rod	46	7152L	*Bolt, Hex Head 3/8" - 16 x 1 1/2
19	71300	Adjustment Rod	47	7152M	*Bolt, Hex Head 3/8" - 16 x 1 1/2
20	3224P	*Screw, Pan Hd. Machine 1/4" - 20 x 1	48	665P	*Bolt, Hex Head 3/8" - 16 x 1 1/2
21	729014	Pin Chain Assembly	49	665P	*Bolt, Hex Head 3/8" - 16 x 1 1/2
22	71300	Adjustment Rod	50	7152N	*Bolt, Hex Head 3/8" - 16 x 1 1/2
23	71300	Adjustment Rod	51	7152O	*Bolt, Hex Head 3/8" - 16 x 1 1/2
24	71300	Adjustment Rod	52	6728A	Washer, 26/64 x 2 - 3/8 x 5/32
25	71300	Adjustment Rod	53	7152P	Washer, 26/64 x 2 - 3/8 x 5/32
26	71300	Adjustment Rod	54	7152Q	Washer, 26/64 x 2 - 3/8 x 5/32
27	71300	Adjustment Rod	55	7152R	Washer, 26/64 x 2 - 3/8 x 5/32
28	1615P	*Bolt, Carriage 5/16" - 18 x 3/4 Gr. 5	56	7152S	Washer, 26/64 x 2 - 3/8 x 5/32
29	1615P	*Bolt, Carriage 5/16" - 18 x 3/4 Gr. 5	57	7152T	Washer, 26/64 x 2 - 3/8 x 5/32
30	1615P	*Bolt, Carriage 5/16" - 18 x 3/4 Gr. 5	58	7152U	Washer, 26/64 x 2 - 3/8 x 5/32
31	1615P	*Bolt, Carriage 5/16" - 18 x 3/4 Gr. 5	59	7152V	Washer, 26/64 x 2 - 3/8 x 5/32
32	1615P	*Bolt, Carriage 5/16" - 18 x 3/4 Gr. 5	60	7152W	Washer, 26/64 x 2 - 3/8 x 5/32
33	1615P	*Bolt, Carriage 5/16" - 18 x 3/4 Gr. 5	61	7152X	Washer, 26/64 x 2 - 3/8 x 5/32
34	1615P	*Bolt, Carriage 5/16" - 18 x 3/4 Gr. 5	62	7152Y	Washer, 26/64 x 2 - 3/8 x 5/32
35	1615P	*Bolt, Carriage 5/16" - 18 x 3/4 Gr. 5	63	7152Z	Washer, 26/64 x 2 - 3/8 x 5/32

*STANDARD HARDWARE-PURCHASE LOCALLY

REPAIR PARTS

STEERING AND WHEELS

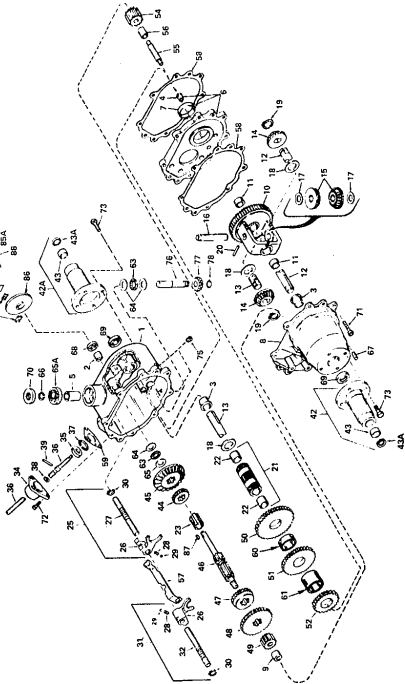
REF. NO.	PART NO.	DESCRIPTION	REF. NO.	PART NO.	DESCRIPTION
1	1114J	Steering Wheel Inset	20	65139	Valve Stem
2	60L	Steering Wheel	30	5918Z	Valve Cap
3	504P	Cap, Hex, 1/2" x 3/4" x 1/2" UNF	31	784191A	Transmission Assembly, Model 143.658A
4	1599P	Washer, 1/162 x 3/4 x 1/8 Ga.	32	784191A	Transmission Assembly, Model 143.658A
5	1599P	Washer, 1/162 x 3/4 x 1/8 Ga.	33	5586Z	Rocker Bar Assembly
6	1599P	Washer, 1/162 x 3/4 x 1/8 Ga.	34	677A91	Rocker Bar Assembly
7	1599P	Washer, 1/162 x 3/4 x 1/8 Ga.	35	1615P	*Bolt, Hex Head 3/8" - 16 x 1 1/2
8	1615P	*Bolt, Hex Head 3/8" - 16 x 1 1/2	36	1615P	*Bolt, Hex Head 3/8" - 16 x 1 1/2
9	1615P	*Bolt, Hex Head 3/8" - 16 x 1 1/2	37	67151	*Bolt, Hex Head 3/8" - 16 x 1 1/2
10	6237P	Spring Pin 3/16 x 1 1/2 x 11 Ga.	38	67151	*Bolt, Hex Head 3/8" - 16 x 1 1/2
11	24577	Spring Bracket, L. H.	39	11188	Pivot Sprocket
12	24577	Spring Bracket, R. H.	40	72937	*Bolt, Hex Head 3/8" - 16 x 1 1/2
13	6759P	Washer, 1/162 x 3/4 x 1/8 Ga.	41	72937	*Bolt, Hex Head 3/8" - 16 x 1 1/2
14	6759P	Washer, 1/162 x 3/4 x 1/8 Ga.	42	72937	*Bolt, Hex Head 3/8" - 16 x 1 1/2
15	1326Z	Steering Rod	43	2023P	*Bolt, Hex Head 3/8" - 16 x 1 1/2
16	71298	Bushing	44	2023P	*Bolt, Hex Head 3/8" - 16 x 1 1/2
17	71298	Bushing	45	805P	Washer, 1/162 x 3/4 x 1/8 Ga.
18	1818P	Washer, 21/22 x 1 - 1/4 x 13 Ga.	46	805P	Washer, 1/162 x 3/4 x 1/8 Ga.
19	1818P	Washer, 21/22 x 1 - 1/4 x 13 Ga.	47	805P	Washer, 1/162 x 3/4 x 1/8 Ga.
20	72446	Drive Link Pin	48	71851	Tire 15 x 6.00 - 8" MC
21	72446	Drive Link Pin	49	71851	Tire 15 x 6.00 - 8" MC
22	72446	Drive Link Pin	50	71851	Tire 15 x 6.00 - 8" MC
23	72446	Drive Link Pin	51	71851	Tire 15 x 6.00 - 8" MC
24	72446	Drive Link Pin	52	71851	Tire 15 x 6.00 - 8" MC
25	72446	Drive Link Pin	53	71851	Tire 15 x 6.00 - 8" MC
26	72446	Drive Link Pin	54	71851	Tire 15 x 6.00 - 8" MC
27	72446	Drive Link Pin	55	71851	Tire 15 x 6.00 - 8" MC
28	72446	Drive Link Pin	56	71851	Tire 15 x 6.00 - 8" MC
29	72446	Drive Link Pin	57	71851	Tire 15 x 6.00 - 8" MC
30	72446	Drive Link Pin	58	71851	Tire 15 x 6.00 - 8" MC

*STANDARD HARDWARE-PURCHASE LOCALLY

REPAIR PARTS

36" RIDING LAWN TRACTOR-MODEL NUMBER L821BCR
TRANSAKLE NO. 794191A-MODEL NUMBER 143.658A

ALL TRANSAKLE PARTS MUST
BE PURCHASED THROUGH AN
AUTHORIZED BRIGGS & STRATTON
LOCAL TECHNICAL DEALER.



REPAIR PARTS

36" RIDING LAWN TRACTOR-MODEL NUMBER L821BCR
TRANSAKLE NO. 794191A-MODEL NUMBER 143.658A

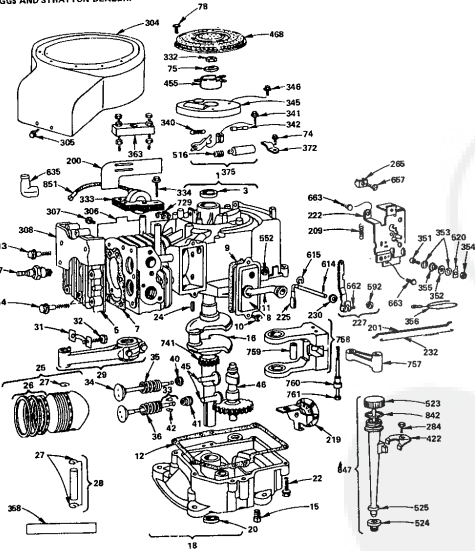
Table with columns: KEY NO., PART NO., DESCRIPTION, PART NO., DESCRIPTION, KEY NO., PART NO., DESCRIPTION. Lists various engine and transmission components and their part numbers.

REPAIR PARTS

36" RIDING LAWN TRACTOR-MODEL NUMBER L821BCR
BRIGGS & STRATTON 8 H.P. ENGINE-MODEL NO. 191707, TYPE NO. 5627-01

CYLINDER, CRANKSHAFT AND ENGINE BASE GROUP

ALL ENGINE PARTS MUST BE PURCHASED THROUGH AND SERVICE PERFORMED BY YOUR LOCAL BRIGGS & STRATTON DEALER.



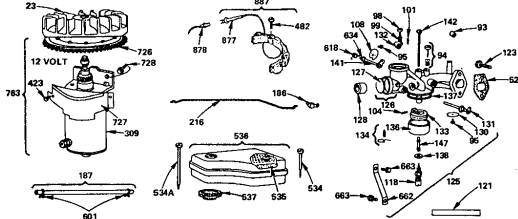
REPAIR PARTS

36" RIDING LAWN TRACTOR-MODEL NUMBER L821BCR
BRIGGS & STRATTON 8 H.P. ENGINE-MODEL NO. 191707, TYPE NO. 5627-01

Table with columns: KEY NO., PART NO., DESCRIPTION, KEY NO., PART NO., DESCRIPTION. Lists various engine and transmission components and their part numbers.

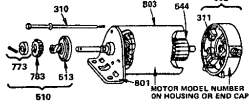
REPAIR PARTS

36" RIDING LAWN TRACTOR-MODEL NUMBER L8218CR
BRGGS & STRATTON 8 H.P. ENGINE-MODEL NO. 191707, TYPE NO. 5627-01
AIR CLEANER, CARBURETOR AND FLYWHEEL GROUP



KEY NO.	PART NO.	DESCRIPTION	KEY NO.	PART NO.	DESCRIPTION
23	391983	Flywheel and Ring Gear Assy. - Magneto	218	281117	Link Choke
52	219924	Gasket - Carburetor Mounting	309	392749	Motor and Drive Assy. (See Break-down of Parts Below)
53	23108	Bushing - Throttle Shaft	423	93410	Screw - Sem
94	291691	Valve Assembly - Carburetor Idle			
95	83499	Screw - Throttle and Choke Valve Mtg. Sem	482	93621	Screw - Sem
98	81920	Screw - Machine Fill. Hd. 8-32 x 5/8"			
99	26157	Spring - Throttle Adjustment			
101	83043	Pin - Throttle Stop			
104	230696	*Pin - Float Hinge	534	93622	Screw - Air Cleaner
118	391233	*Valve Needle	534A	93323	Screw - Air Cleaner
121	298852	Carburetor Overhaul Kit	536	279528	Element - Air Cleaner
123	83357	Screw - Carburetor Mtg.	536	391399	Cleaner Assembly - Air
126	398811	Carburetor Assembly	536	391399	Cleaner Assembly - Air
126	298851	Body Assembly - Carburetor	601	83063	Support - Air Cleaner Element (Plastic)
127	221997	*Plug - Wadlet	637	270839	Gasket - Air Cleaner
128	211862	Venturi - Carburetor	618	270839	Clamp - Fuel Pipe
130	221988	Valve - Throttle	634	270839	Spring - Choke Return
131	391512	Shaft and Lever - Throttle	634	270839	Washer - Choke Shaft
132	211712	Stop - Throttle	682	222227	Bracket - Carburetor
133	298707	*Float - Carburetor	683	93517	Screw
134	298696	*Plug - Fuel Inlet	728	392134	Gear - Ring
136	221995	Bowl - Float	727	390233	Cover and Shield - Starter
137	218611	Gasket - Float Bowl	728	390233	Screw - Sem
138	222014	*Washer - Float Bowl	877	393814	Diode & Conn. Assembly
141	396664	Shaft and Lever - Choke	878	393422	Alt. Harness Assembly
142	298740	Nozzle - Carburetor	887	391529	Stator-Alternator
147	232922	*Screw - Nozzle			
186	87216	Connector - Fuel Pipe			
187	298004	Pipe - Fuel			

STARTER MOTOR GROUP

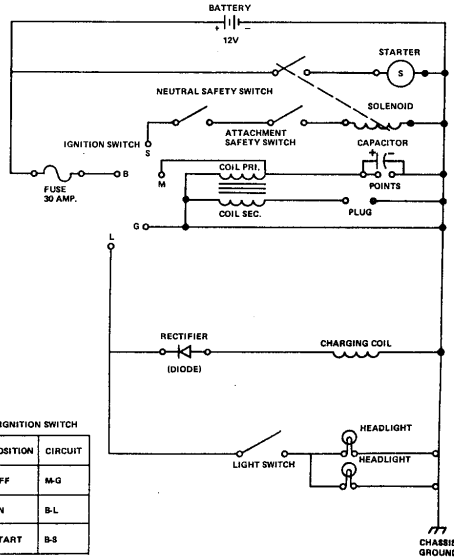


KEY NO.	PART NO.	DESCRIPTION
310	391709	Thru Bolt Assy.
311	391708	Brush Assy.
510	391481	*Drive Assy.
544	392747	Armature Assy.
801	391751	End Cap Assy. Drive
802	390846	End Cap Assy. Commutator
803	392744	Housing Assy.

* Includes Brush Set
* Includes No. 39135 Clutch Assy. (Key No. 513)
* Includes No. 890194 Gear (Key No. 783)
* Includes No. 391462 Retainer and Pin (Key No. 773)

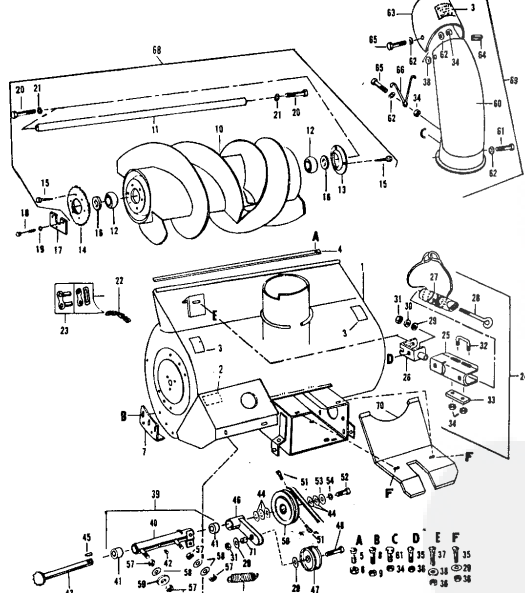
REPAIR PARTS

36" RIDING LAWN TRACTOR-MODEL NUMBER L8218CR
SCHEMATIC DIAGRAM



WIRING INSULATED CLIPS
If Insulated Clips were removed for servicing of unit, they should be replaced to properly secure your wiring. There are three Insulated Clips on your Tractor.
1. L.H. side of Tractor for safety switch wires (Key No. 28, page 14).
2. R.H. side of Tractor securing wire harness and cable wire (Key No. 31, page 14).
3. Headlight wire (Key No. 26, page 14).

36" ROPER SNOW THROWER LAO49AR



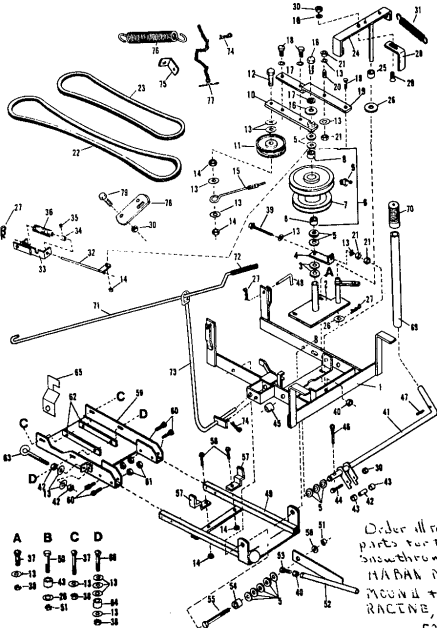
E519 (10.1.78)
Order all replacement parts for this model snow thrower from HABAN MFG CO. 100 W. W. PARKWAY RACINE, WIS. 53407

36" ROPER SNOW THROWER LAO49AR

Ref. No.	Part No.	Description	No. Req.	Ref. No.	Part No.	Description	No. Req.
1	11372	Assy-Header & Decal	1	38	4506	* Washer-13/32 x 1-1/2 x 16 ga.	3
2	9713	Decal	1	39	11378	Assy-Jackshaft hsg. & Bushings	1
3	9663	Decal-Warning	3	40	11379	Assy-Jackshaft hsg.	1
4	3013	Blade-Scraper	1	41	3034	Bushing	2
5	7090	* Bolt-1/4-20 x 5/8 carriage	7	42	5074	* Fitting-Grease	1
6	GM271178	* Nut & Lock washer 1/4-20 hex.	2	43	3143	Assy-Jackshaft & sprocket	1
7	3045	Shoe-Skid	7	44	3396	* Washer-49/64 x 1-1/2 x .058 Flat	1
8	STD533107	* Bolt-5/16-18 x 3/4 carriage	6	45	STD580103	* Key-3/16 sq. x 1	1
9	GM271184	* Nut & Lock washer 5/16-18 hex.	6	46	11381	Assy-Idler Arm	1
10	9044	Assy-Auger	1	47	11496	Assy-Idler Pulley	1
11	8350	Shaft-Auger	1	48	STD 723725	* Bolt - 3/8-16 x 2-1/2 hex hd	1
12	9052	Bearing-Auger Shaft	2	50	1384	Assy-Pulley & Hub	1
13	5473	Flange-Bearing	1	51	GM-142671	* Screw-Set 5/16-18 x 1/2 sq hd cap pt	2
14	8287	Sprocket-Auger (35 tooth)	1	52	STD523707	* Bolt-3/8-16 x 3/4 hex hd	1
15	9131	* Screw-5/16-18 x 3/4 Self-tapping	9	53	G4446363	* Washer-3/8 x 7/8 x .063 flat	1
16	4143	* Washer-1-1/32 x 1-1/2 x 1/8 flat	2	54	STD551137	* Washer-3/8 med lock Spring	1
17	8185	Plate-Auger mounting	1	55	3059	* Nut-1/2-13 hex	4
18	STD523106	* Bolt-5/16-18 x 5/8 hex hd	3	56	GM120389	* Washer-1/2 x 1-1/4 x .063 Flat	3
19	STD551131	Washer-5/16 med lock	2	57	STD541050	* Nut-1/2-13 hex	4
20	STD525012	* Bolt-1/2-13 x 1-1/4 hex hd	2	58	GM120389	* Washer-1/2 x 1-1/4 x .063 Flat	3
21	STD551150	Washer-1/2 med lock	2	59	6979	Washer	1
22	3911	Chain-Auger Drive (70 links)	1	60	4957	Assy-Deflector & Elbow	2
23	8456	Repair Kit for Chain Bracket	1	61	STD522510	* Bolt-1/4-20x1/2 hex hd	2
24	9283	Assy-Stack Drive	1	62	3903	Washer-Cable	6
25	9030	Shroud-Stack Drive	1	63	9766	Assy-Deflect & Deflector	1
26	9032	Assy-Brt. & Tube	1	64	6558	Molding-Deflector	1
27	8346	Assy-Cable, Tube & Sleeves	1	65	STD522507	* Bolt-1/4-20 x 3/4 hex hd	3
28	3955	Eye Bolt-Drive Tube	1	66	3076	Hook-Lift Spring	1
29	GM120388	* Washer-7/16 x 1 x .063 flat	5	68	9043	Assy-Auger (16) Comp.	1
30	4772	Spring-Washer	1	69	6457	Assy-Deflector & Elbow	1
31	STD541437	Nut-3/8-16 hex lock	2	70	11420	Guard-Drive Pulley	1
32	8236	U-Bolt-Level Wind	1	71	5711	Spacer	1
33	8399	Strap-Friction	1				
34	STD541425	* Nut-1/4-20 hex lock	6				
35	STD533707	* Bolt-3/8-16 x 3/4 carriage	3				
36	GM271190	* Nut & Lock Washer 3/8-16 hex	4				
37	STD533710	* Bolt-3/8-16 x 1 carriage	1				

*standard hardware - purchased locally

36" ROPER SNOW THROWER LA049AR



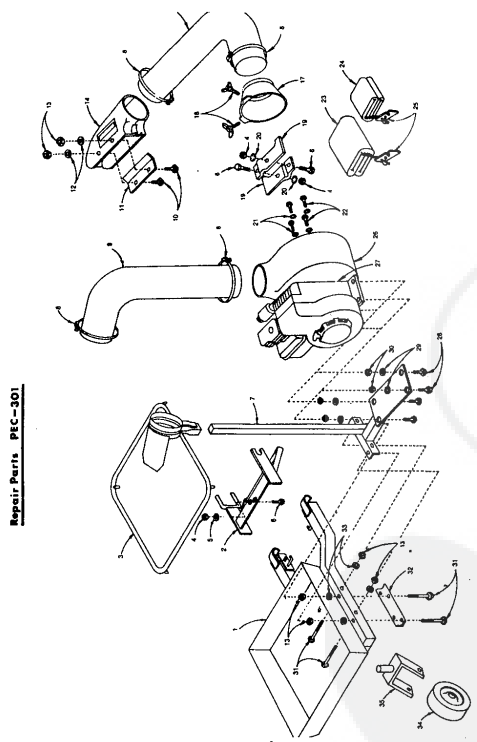
E521 (10.1.78)

36" ROPER SNOW THROWER LA049AR

Ref. No.	Part No.	Description	No. Req.	Ref. No.	Part No.	Description	No. Req.
1	11449	Assy - Mounting Frame (Upper)	1	41	7925	Assy - Lift Bar	1
2	11401	Assy - Pulley Mtg. Brkt.	1	42	3027	Spacer	1
3	STD551075	*Washer - 13/16 x 1-1/2 x .083 flat	1	43	1346	Spacer	1
4	11403	Bracket - 1/2 x 1-1/2	1	44	STD523120	Bolt - 5/16-18 x 2 hex	1
5	3396	*Washer - 49/64 x 1-1/2	12	45	6179	Spacer	1
6	9775	Assy - Pulley Hsg (comp)	1	46	GM120123	Pin - Cotter (1/8 x 1 1/2)	1
7	9776	Assy - Pulley Hsg.	1	47	STD571810	Pin - Roll (3/16 x 1)	1
8	8689	Bearing - Needle	2	48	5736	Pin - Locating	2
9	5074	*Fitting - Grease	1	49	9778	Assy - Mounting Frame	1
10	11404	Assy - Clutch Arm	1	50	STD525015	Bolt - 1/2-13 x 1-1/2 hex hd	2
11	11496	Idler pulley	1	51	STD541450	Nut - 1/2-13 hex lock	1
12	STD723725	*Bolt - 3/8-16 x 2-1/2 hex hd	1	52	9796	Assy - Lift brkt.	1
13	GM120388	*Washer - 7/16 x 1" x .083 flat	24	53	6441	Bolt - 3/8-16 x 2 hex hd full thd	1
14	STD541437	*Nut - 3/8-16 hex lock	5	54	11285	Spacer	1
15	11486	Washer - Bolt Gauge	1	55	STD525020	Bolt - 1/2-13 x 2 hex	1
16	GM446363	*Washer - 3/8 x 7/8 x .083 flat	2	56	GM120389	*Washer - 1/2 x 1-1/4 x .083 flat	1
17	STD551137	*Washer - 3/8 med lock	3	57	11461	Stop - Position	2
18	STD523707	*Bolt - 3/8-16 x 3/4 hex hd	4	58	STD523710	Bolt - 3/8-16 x 1 hex	2
19	11407	Bracket - Clutch Lever	1	59	11417	Assy - Pivot Brkt.	1
20	11410	Stud - Brake Release	1	60	STD523117	Bolt - 5/16-18 x 1-3/4 hex hd	4
21	STD541237	*Nut - 3/8-16 hex jam	4	61	STD541431	*Nut - 5/16-18 hex lock	4
22	11361	V-belt	1	62	11418	Strap - Header Channel	2
23	11367	V-belt	1	63	3058	Eye Bolt	2
24	11442	Assy - Belt Brake	1	64	5713	Spacer	2
25	6017	Spacer	3	65	11419	Bracket	1
26	STD551050	*Washer - 17/32 x 1-1/16 x .095	3	66	GM126422	Bolt - 3/8-16 x 2-1/4 carriage	2
27	STD624005	*Pin - Hair	4	69	6078	Handle - Lift	1
28	11414	Popper - V-belt	1	70	3339	Grip - Handle	1
29	STD533110	*Bolt - 5/16-18 x 1" carriage	1	71	4355	Roll - Crank	1
30	GM271184	*Nut & L/washer 5/16 -18 hex	6	72	10840	Handle - Grip	1
31	3059	Spring	1	73	11430	Assy - Crank Support	1
32	11458	Assy - Clutch Rod	1	74	STD624010	Pin - Hair Cotter	2
33	11019	Assy - Clutch Brkt.	1	75	7630	Bracket	1
34	10817	Collar	1	76	4798	Spring - Lift	1
35	4122	*Set Screw - 5/16-18 x 5/16 socket	4	77	5737	Assy - Chain & Toggle	1
36	3077	Spring	1	78	9222	Strap - Rear Mtg.	2
37	STD533710	*Bolt - 3/8-16 x 1 carr	1	79	STD523108	Bolt - 5/16-18 x 5/8 hex hd	4
38	GM271190	*Nut & L/washer 3/8 -16 hex	6	NP	11558	Manual - Instruction and Repair	1
39	6475	*Bolt - 3/8-16 x 3-1/2 full thd hex hd	1				
40	STD541037	*Nut - 3/8-16 Lt hex	6				

E522 (10.1.78)

*Standard Hardware - Purchased Locally



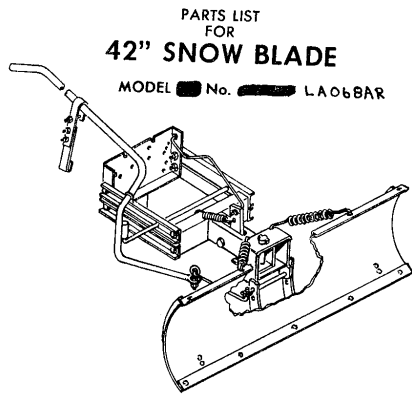
Repair Parts - PEC-301

REPAIR PARTS

LA05 VAC Model Number PEC-301

KEY NO.	PART NUMBER	DESCRIPTION	REQ'D.
1	C-1-A	Tray and Support Assembly	1
2	C-4-R	Hitch Assembly	1
3	C-2-A	Bag Support Ring	1
4	STD-541050	Hex Nut, 1/2-13	3
5	STD	Lockwasher, 1/2 SAE	1
6	STD-525015	Hex Bolt, 1/2-13 x 1-1/2	3
7	C-3-A	Engine Support and Upright	1
8	C-10-A	Hose Clamp, 6" Dia.	4
9	C-18-A	Flex Hose, 6" Dia. x 40" Long	1
10	STD-533710	Carriage Bolt, 3/8-16 x 1	2
11	C-23-A	Boot Clamp Plate	1
12	STD-51037	Flat Washer, 3/8 SAE	2
13	STD-541237	Hex Nut, 3/8-16	6
14	B-361	Boot, 36" Hower Deck	1
16	C-27-A	Flex Hose, 6" Dia. x 36" Long	1
17	C-9-A	Blower Cone, 6" Dia.	1
18	WS16182N	Wing Bolt, 5/16-18 x 2	2
19	WS16182N	Wing Bolt, 5/16-18 x 2	2
19	C-11-A	Blower Blades (Set)	1
20	STD-551250	Internal Tooth Lockwasher, 1/2	2
21	STD-641231	Internal Tooth Lockwasher, 5/16	4
22	STD-623107	Hex Bolt, 5/16-24 x 7/8	4
23	C-16-A	Canvas Bag	1
24	C-17-A	Canvas Bag Cover	1
25	C-29-A	Full Cord Fastener	2
26	C-8-A	Blower Housing	1
27	143.654192	Tecumseh H35 45462L Model No. 143.654192	1
28	STD-523115	Hex Bolt, 5/16-18 x 1-1/2	4
29	STD-551131	Lockwasher, 5/16 SAE	4
30	STD-541131	Hex Nut, 5/16-18	4
31	STD-523725	Hex Bolt, 3/8-16 x 2-1/2	4
32	C-24-A	Reinforcing Angle	1
33	STD-551137	Lockwasher, 3/8 SAE	4
34	C-27-A	Wheel, 8-1/4" Dia. x 2-3/4 Wide	1
35	C-28-A	Caster Assembly	1
	PEC-301	Owner's Manual	1

Order All Replacement Parts For Model LA05
PE-CO
2807 Sweeten Creek Road.
Asheville, N.C. 28803



42" SNOW BLADE KIT PARTS LIST

Order Parts From
Peeco Inc.
1902 South Main
South Bend, Ind
46613

Part No.	Description	Qty.	Part No.	Part No.	Description	Qty.	Part No.
1	Blade Assembly	1	110001	19	Latch, Lower	1	110071
2	Drawbar Assembly	1	110004	20	Screw, Hex. Hd. Cap (5/16" x 1 1/2")	2	20059
3	Frame Assembly	1	110002	21	Screw, Hex. Hd. Cap (5/16" x 1 1/2")	1	20060
4	Parallel Bar Assembly - Upper	1	110005	22	Screw, Hex. Hd. Cap (3/8" x 1 1/2")	8	20061
5	Parallel Bar Assembly - Lower	1	110006	23	Screw, Hex. Hd. Cap (3/8" x 1 1/2")	1	20043
6	Frame Mount Assembly	1	110007	24	Bolt, Chelega (1/4" x 3 1/4")	5	110010
7	Handle Assembly	1	120001	25	Bolt, Chelega (1/4" x 1 1/4")	4	110044
8	Blade Grip	1	20001	26	Bolt, Flat (1/4" x 1 1/4")	1	110045
9	Link, Index	1	20002	27	Washer, Med. Splitlock (1/4")	5	20010
10	Link, Pivot	1	20003	28	Washer, Med. Splitlock (3/8")	5	20011
11	Link, Side	1	20004	29	Washer, Med. Splitlock (3/8")	5	20012
12	Latch, Upper	1	10007	30	Washer, Plain (5/16" SAE)	5	20018
13	Spring, Blade	2	80001	31	Nut, Hex (1/4" x 1/2")	8	20019
14	Spring, Tension	1	80001	32	Nut, Hex (5/16" x 1/2")	5	20020
15	Pin, Quarter	2	20002	33	Nut, Hex (5/16" x 1/2")	5	20021
16	Rod, Control	1	20003	34	Pin, Coner (1/8" x 1")	5	20015
17	Shaver, Parallel Bar	8	10006	35	Nut, Jam (5/16" x 1/2")	5	20022
18	Extension, Handle	1	20004	36	Handle Bar Grip	1	80001

MINIMUM PARTS ORDER \$5.00. ALL STANDARD HARDWARE ITEMS MAY BE PURCHASED LOCALLY.