

# MASTER PARTS MANUAL

## ROTARY MOWERS

## RALLY LAWN TRACTORS

### MODELS:

M1118AR  
M6187AR  
M6517BR  
M6538AR

L0239AR  
L1219AR  
L8218AR  
L8218BR  
L8218CR

*few* {  
K8327AR  
K8327BR  
K8327CR

LA049AR  
LA058AR  
LA068AR

*new. Football Exchange.*

*Jeune de lames 71285*  
*Carroll traction 75794*  
*" torque 69828*

LAWN AND GARDEN  
POWER EQUIPMENT

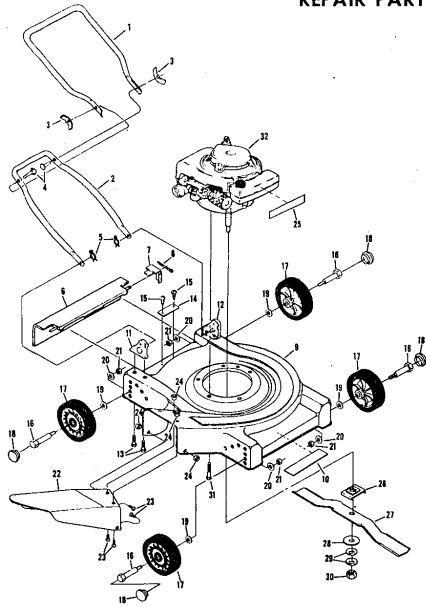
**ROPER** SALES CORP.

1905 WEST COURT STREET  
KANKAKEE, ILLINOIS 60901

PRICE \$2.00  
FEBRUARY 1, 1979

ROPER 20" 148 CC 3.5 H.P. ROTARY LAWN MOWER MODEL NUMBER M1118AR

REPAIR PARTS



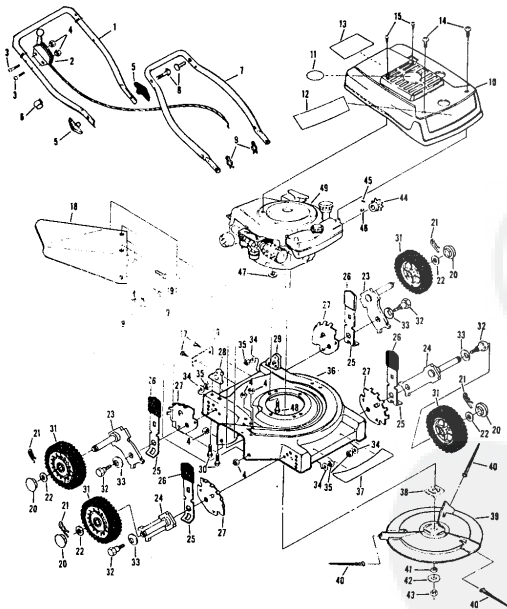
ROPER 20" 148 CC 3.5 H.P. ROTARY LAWN MOWER MODEL NUMBER M1118AR

REPAIR PARTS

Ref. No.	Part No.	Part Name	Ref. No.	Part No.	Part Name
1	64932	Handle - Upper	18	67360	Hub Cap (R.R.-L.R.-R.F.-L.F.)
2	62362	Handle - Lower	19	70080	Washer, Flat Steel .405-.860 X .250 (R.R.-L.R.-R.F.-L.F.)
3	67504	Wing Nut 5/16-18	20	54005	Washer, Flat Steel .405-.860 X .095 (R.R.-L.R.-R.F.-L.F.)
4	58714	Bolt, Handle 5/16-18 X 1 3/4	21	74400	Nut, Lock 3/8-16 (R.R.-L.R.-R.F.-L.F.)
5	51793	Hairpin Cutter - 3/4	22	67731	Discharge Guard
6	72502	Rear Skirt	23	69179	Screw, Machine #10-24 X 1/2
7	72393	Skirt Keeper	24	69100	Nut, Lock #10-24
8	63640	Cutter Pin - 3/4	25	75773	Decal - Fuel Tank
9	79262	Housing W/Silk Screening W/Decal (Incl. Ref. #10)	26	69226	Blade Flange Assembly
10	73221	Decal - Housing	27	69229	Blade
11	62886	Handle Bracket Assembly-Right	28	69385	Washer, Blade
12	62887	Handle Bracket Assembly-Left	29	54867	Washer, Spring (Ballville Type)
13	55187	Screw, Self-Tapping 5/16-18 X 3/4	30	51423	Nut, Nylon 5/8-18
14	75766	Number Plate	31	68205	Screw, Machine Hex Head W/Lock Washer 5/16-18 X 7/8
15	54562	Screw, Self-Tapping #10-24 X 3/8	32	75071	Engine-Model (LAV 25-40945L) (3.5 H.P.) (Tecumseh Products Company)
16	60838	Axle Bolt 3/8-16 (R.R.-L.R.-R.F.-L.F.)			Parts List - Owner's Manual
17	75071	Wheel and Tire Assembly-7" (R.R.-L.R.-R.F.-L.F.)	75768		

ROPER 20" WHIP STIK™ 164CC 4.0 H.P. POWER PROPELLED LAWN MOWER MODEL NUMBER M6187AR

REPAIR PARTS

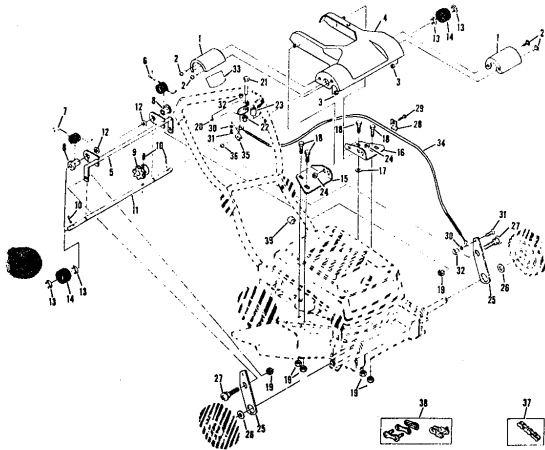


ROPER 20" WHIP STIK™ 164CC 4.0 H.P. POWER PROPELLED LAWN MOWER MODEL NUMBER M6187AR

Ref. No.	Part No.	Part Name	Ref. No.	Part No.	Part Name
1	75193	Handle - Upper	28	62886	Handle Bracket Assembly-Right
2	73445	Remote Control	29	62887	Handle Bracket Assembly-Left
3	69411	Screw, Machine Phillips #10-24 X 1 3/4	30	55187	Screw, Self-Tapping 5/16-18 X 3/4
4	69180	Nut, Lock #10-24	31	72425	Wheel and Tire Assembly-8" (R.R.-L.R.-R.F.-L.F.)
5	58715	Knob - Handle	32	64763	Bolt, Shoulder (Special) 3/8-16 (R.R.-L.R.-R.F.-L.F.)
6	38891	Cable Clip	33	62335	Washer, Belleville .500-1.10 X .082 (R.R.-L.R.-R.F.-L.F.)
7	62362	Handle - Lower	34	62333	Washer, Flat Steel .390-1.437 X .074 (R.R.-L.R.-R.F.-L.F.)
8	58714	Bolt, Handle 5/16-18 X 1 3/4	35	74400	Nut, Lock 3/8-16
9	51793	Hairpin Cutter - 3/4	36	79294	Housing W/Silk Screening W/Decal (Incl. Ref. #37)
10	79285	Engine Shroud Pack (Incl. Ref. #11,12,13)	37	75325	Decal - Housing
11	74779	Decal - Center	38	74654	Flange Assembly
12	73216	Decal - Shroud	39	74199	Pin Holder
13	74656	Decal - Engine Instruction	40	74334	Pin (Three required)
14	73322	Screw, Self-Tapping #8 X 3/4	41	74393	Spacer
15	68246	Screw, Self-Tapping 1/4-20 X 3/4	42	74456	Washer, Belleville .630-1.875 X .129
16	75215	Number Plate	43	51433	Nut, Nylon 5/8-18
17	54562	Screw, Self-Tapping #10-24 X 3/8	44	71851	Spracket 9 Tooth W/2 Set Screw (Incl. Ref. #45)
18	67731	Discharge Guard	45	52828	Set Screw 1/4-28 X 3/16
19	69179	Screw, Machine #10-24 X 1/2	46	52978	Key, Woodruff #5
20	67360	Hub Cap (R.R.-L.R.-R.F.-L.F.)	47	59289	Washer, Flat Steel .328-1 X .097 5/16-18 X 7/8
21	55015	Retainer Clip (R.R.-L.R.-R.F.-L.F.)	48	68205	Screw, Machine Hex Head 5/16-18 X 7/8
22	52160	Washer, Flat Steel .515-1 X .031 (R.R.-L.R.-R.F.-L.F.)	49		Engine-Model (LAV 40-5037SD) (4.0 H.P.) (Tecumseh Products Company)
23	69474	Axle Arm Assembly (R.R.-L.R.-R.F.-L.F.)			Parts List - Owner's Manual
24	73632	Axle Arm Assembly (R.R.-L.R.-R.F.-L.F.)			
25	70683	Selector Spring (R.R.-L.R.-R.F.-L.F.)			
26	70685	Selector Knob (R.R.-L.R.-R.F.-L.F.)			
27	69478	Wheel Adjusting Bracket (R.R.-L.R.-R.F.-L.F.)	75218		

ROPER 20" WHIP STIK™ 164CC 4.0 H.P. POWER PROPELLED LAWN MOWER MODEL NUMBER M6187AR

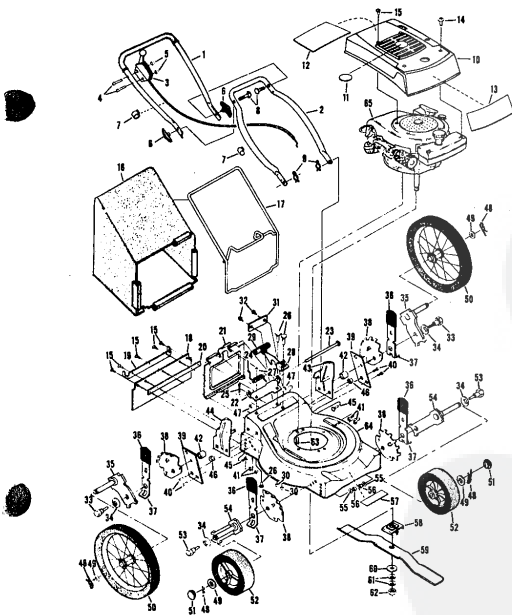
REPAIR PARTS



ROPER 20" WHIP STIK™ 164CC 4.0 H.P. POWER PROPELLED LAWN MOWER MODEL NUMBER M6187AR

Ref. No.	Part No.	Part Name	Ref. No.	Part No.	Part Name
1	73629	Drive Cover	22	72979	Nut, Shoulder (Special) 1/4-28
2	75136	Screw, Machine #10-24 X 1/2	23	73405	Spacer
3	53491	Nut, Lock #10-24	24	52365	E-Ring 3/8 Shaft
4	73787	Chain Cover Assembly	25	74162	Lower Link
5	73626	Yoke Assembly	26	74252	Washer, Flat Steel .531-1.187 X .148
6	73115	Spring - L.H.	27	73916	Bolt, Shoulder (Special) 1/4-20 X 3/4
7	73172	Spring - R.H.	28	73276	Retainer
8	73087	Bearing	29	55187	Screw, Self-Tapping 5/16-18 X 3/4
9	73696	Sprocket - 8 Tooth	30	74190	Spacer
10	52379	Spring Pin 3/16 X 1	31	57155	Screw, Machine #10-24 X 5/8
11	73628	Driven Shaft	32	69180	Nut, Lock #10-24
12	73928	Washer, Flat Steel .628-1.25 X .028	33	73442	Decal - Clutch
13	52364	E-Ring 5/8 Shaft	34	74158	Cable
14	67973	Driver	35	73755	Cable Clamp
15	75113	Pivot - R.H.	36	68662	Screw, Self-Tapping #10 X 7/8
16	75214	Pivot - L.H.	37	74787	Chain #65 (44 Pitch)
17	63128	Washer, Flat Steel .265-3/4 X .082	38	69472	Repair Link Kit (Incl. Offset and Connecting Link)
18	54395	Screw, Hex Head 1/4-20 X 5/8	39	58891	Cable Clip
19	74218	Nut, Lock 1/4-20			
20	74161	Lever			
21	72978	Bolt, Shoulder (Special) 1/4-28 X 1 5/8			

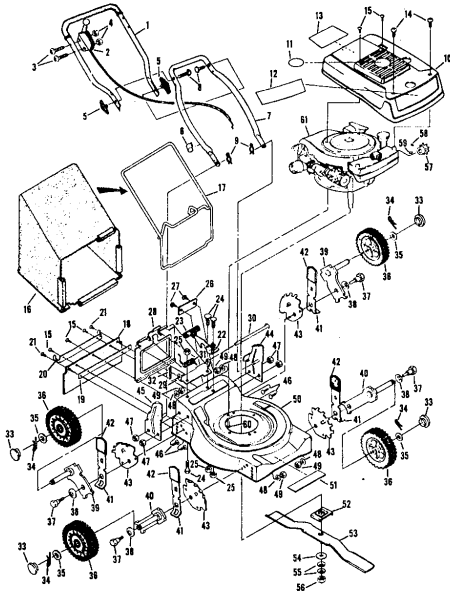
ROPER 20" HIGH WHEEL REAR BAGGER 4.0 H.P. ROTARY LAWN MOWER MODEL NUMBER M6517BR



ROPER 20" HIGH WHEEL REAR BAGGER 4.0 H.P. ROTARY LAWN MOWER MODEL NUMBER M6517BR

Ref. No.	Part No.	Part Name	Ref. No.	Part No.	Part Name
1	74678	Handle - Upper	37	70683	Selector Spring (R.F.-L.F.-R.R.-L.R.)
2	62262	Handle - Lower	38	69478	Wheel Adjusting Bracket (R.F.-L.F.-R.R.-L.R.)
3	73445	Remote Control	39	73712	Bracket Support (R.R.-L.R.)
4	69411	Screw, Machine Phillips #10-24 X 1 1/4	40	73403	Bolt, Hex Head 3/8-16 X 5/8 (R.R.-L.R.)
5	69180	Nut, Lock #10-24	41	51961	Nut, Lock 3/8-16 (R.R.-L.R.)
6	58715	Knob - Handle	42	73713	Spacer (R.R.-L.R.)
7	58891	Cable Clip	43	78992	Handle Bracket - L.H.
8	58714	Bolt, Handle 5/16-18 X 1 3/4	44	78991	Handle Bracket - R.H.
9	51792	Mainpin Cutter - 3/4	45	75156	Bolt, Carriage 5/16-18 X 1/2 (R.R.-L.R.)
10	79261	Engine Shroud Pack (Incl. Ref. #11, 12, 13)	46	74399	Nut, Lock 5/16 X 18
11	74640	Decal - Center	47	68478	Nut, Lock 5/16 X 18 (R.R.-L.R.)
12	74909	Decal - Engine Instruction	48	55015	Retainer Clip (R.R.-L.R.-R.F.-L.F.)
13	74960	Decal - Shroud	49	52160	Washer, Flat Steel .515-1 X .031 (R.R.-L.R.-R.F.-L.F.)
14	73322	Screw, Self-Tapping #8 X 3/4	50	73422	Wheel and Tire Assembly 14.00 X 1.75 (R.R.-L.R.)
15	68346	Screw, Self-Tapping 1/4-20 X 3/4	51	67360	Hub Cap
16	75363	Catcher Bag	52	75073	Wheel and Tire Assembly 8.00 X 1.75 (R.F.-L.F.)
17	72870	Catcher Frame	53	64763	Bolt, Shoulder 3/8-16 (Special) (R.F.-L.F.)
18	73874	Rear Skin	54	69474	Axle Arm Assembly (R.F.-L.F.)
19	73176	Catcher Support	55	62333	Washer, Flat Steel .300-.437 X .074 (R.F.-L.F.)
20	73061	Backing Strip	56	65543	Nut, Lock 3/8-16 (R.F.-L.F.)
21	72869	Rear Door	57	73221	Decal - Housing
22	72125	Hinge Bracket	58	69226	Blade Flange Assembly
23	73326	Hinge Rod	59	69229	Blade
24	72962	Spring	60	69385	Washer, Blade
25	63640	Cotter Pin - 5/64	61	54657	Washer, Spring (Bellville Type)
26	73383	Bolt, Carriage 1/4-20 X 5/8 (Special) (R.R.-L.R.)	62	51433	Nut, Nylok 5-18
27	63601	Nut, Lock 1/4-20	63	68205	Screw, Machine Hex Head W Lock Washer 5/16-18 X 7/8
28	72881	Catcher Latch (Incl. Ref. #29)	64	79258	Housing W/316 (With Decal) (Incl. Ref. #2)
29	68618	Knob	65		Engine-Model (LAV 40-50374D) (Tecumseh Products Co.) 4.0 H.P.
30	74218	Nut, Lock 1/4-20	75616		Parts List-Owner's Manual
31	75614	Number Plate			
32	54562	Screw, Self-Tapping #10-24 X 3/8			
33	73714	Bolt, Shoulder 5/16-18 (Special) (R.R.-L.R.)			
34	62335	Washer, Bellville .505-1.10 X .082 (R.R.-L.R.-R.F.-L.F.)			
35	73420	Axle Arm Assembly (R.R.-L.R.)			
36	70685	Knob-Selector (R.F.-L.F.-R.R.-L.R.)			

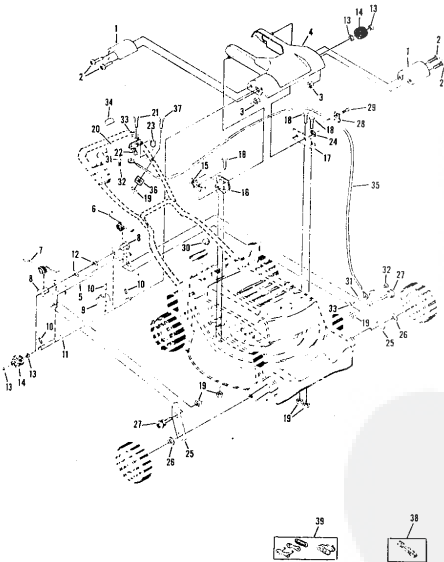
ROPER 20" REAR BAGGER 164CC 4.0 H.P. POWER-PROPELLED  
LAWN MOWER MODEL NUMBER M6538AR **REPAIR PARTS**



ROPER 20" REAR BAGGER 164CC 4.0 H.P. POWER-PROPELLED **REPAIR PARTS**  
LAWN MOWER MODEL NUMBER M6538AR

Ref. No.	Part No.	Part Name	Ref. No.	Part No.	Part Name
1	76468	Handle - Upper	36	72425	Wheel and Tire Assembly-8" (R.R.-L.R.-R.F.-L.F.)
2	73445	Remote Control	37	64763	Bolt, Shoulder (Special) 3/8-16 (R.R.-L.R.-R.F.-L.F.)
3	69411	Screw, Machine Phillips #10-24 X 1 3/4	38	62335	Washer, Belleville .505-1.10 X .062 (R.R.-L.R.-R.F.-L.F.)
4	69180	Nut, Lock #10-24	39	69474	Axle Arm Assembly (R.F.-L.R.)
5	52715	Knob - Handle	40	73632	Axle Arm Assembly (R.R.-L.R.-L.F.)
6	58891	Cable Clip	41	70683	Selector Spring (R.R.-L.R.-R.F.-L.F.)
7	62362	Handle - Lower	42	70685	Selector Knob (R.R.-L.R.-R.F.-L.F.)
8	52714	Bolt, Handle 5/16-18 X 1 3/4	43	69478	Wheel Adjusting Bracket (R.R.-L.R.-R.F.-L.F.)
9	51793	Mainpin Cutter - 3/4	44	78992	Handle Bracket Assembly-Left
10	79261	Engine Shroud Pack (Incl. Ref. #11,12,13)	45	78991	Handle Bracket Assembly-Right
11	74640	Decal - Center	46	75156	Bolt, Carriage 5/16-18 X 1/2 (R.R.-L.R.)
12	74960	Decal - Shroud	47	74399	Nut, Lock 5/16-18 (R.R.-L.R.)
13	74959	Decal - Engine Instruction	48	62333	Washer, Flat Steel .390-1.457 X .074 (R.R.-L.R.-R.F.-L.F.)
14	73322	Screw, Self-Tapping #8 X 3/4	49	74400	Nut, Lock 3/8-16 (R.R.-L.R.-R.F.-L.F.)
15	68546	Screw, Self-Tapping 1/4-20 X 3/4	50	79269	Housing W/Silk Screening W/Decal (Incl. Ref. #51)
16	75363	Catcher Bag	51	73221	Decal - Housing
17	72870	Catcher Frame	52	69226	Blade Flange Assembly
18	72883	Rear Skirt	53	69229	Blade
19	72061	Stacking Strip	54	69285	Washer, Blade
20	73176	Catcher Support	55	54867	Washer, Spring (Belleville Type)
21	73845	Screw, Self-Tapping 1/4-20 X 1/2	56	51633	Nut, Nylok 5/8-16
22	72881	Catcher Latch (Incl. Ref. #23)	57	71851	Sprocket 9 Tooth W/2 Set Screw (Incl. Ref. #58)
23	68618	Knob	58	52826	Set Screw 1/4-28 X 3/16
24	73383	Bolt, Carriage 1/4-20 X 5/8	59	52978	Key, Woodruff #5
25	74218	Nut, Lock 1/4-20	60	68205	Screw, Machine Hex Head 5/16-18 X 7/8
26	75788	Number Plate	61		Engine-Model (LAV 40-50375D) (Tecumseh Products Company) (4.0 H.P.)
27	54562	Screw, Self-Tapping #10-24 X 3/8		75790	Parts List - Owner's Manual
28	72869	Rear Deck			
29	73215	Hinge Bracket			
30	73326	Hinge Rod			
31	72962	Spring			
32	68640	Cutter Pin - 3/4			
33	67360	Hub Cap (R.R.-L.R.-R.F.-L.F.)			
34	55015	Retainer Clip (R.R.-L.R.-R.F.-L.F.)			
35	52160	Washer, Flat Steel .515-1 X .031 (R.R.-L.R.-R.F.-L.F.)			

ROPER 20" REAR BAGGER 164CC 4.0 H.P. POWER-PROPELLED **REPAIR PARTS**  
LAWN MOWER MODEL NUMBER M6538AR

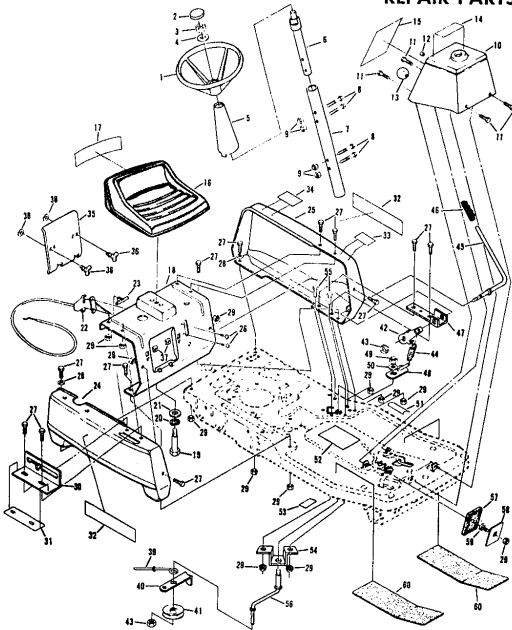


ROPER 20" REAR BAGGER 164CC 4.0 H.P. POWER-PROPELLED **REPAIR PARTS**  
LAWN MOWER MODEL NUMBER M6538AR

Ref. No.	Part No.	Part Name	Ref. No.	Part No.	Part Name
1	73629	Drive Cover	22	72979	Nut, Shoulder (Special) 1/4-28
2	75136	Screw, Machine #10-24 X 1/2	23	73405	Spacer
3	53491	Nut, Lock #10-24	24	52365	E-Ring 3/8 Shaft
4	76335	Chain Cover Assembly	25	74162	Lower Link
5	73626	Yoke Assembly	26	74232	Washer, Flat Steel .531-1.187 X .148
6	73115	Spring - L.H.	27	73916	Bolt, Shoulder (Special) 1/4-20
7	73172	Spring - R.H.	28	73276	Retainer
8	73087	Bearing	29	55187	Screw, Self-Tapping 5/16-18 X 3/4
9	72696	Sprocket - 8 Tooth	30	58891	Cable Clip
10	52379	Spring Pin - 3/16 X 1	31	74190	Spacer
11	73628	Driven Shaft	32	57155	Screw, Machine 10-24 X 5/8
12	73928	Washer, Flat Steel .828 - 1.25 X .028	33	69180	Nut, Lock 10-24
13	52364	E-Ring 5/8 Shaft	34	73442	Decal - Clutch
14	67973	Driver	35	76406	Cable
15	75043	Pivot Adjusting Bracket	36	76370	Cable Clamp
16	74617	Pivot - R.H.	37	65131	Screw, Machine 1/4-20 X 1 1/2
17	74618	Pivot - L.H.	38	74787	Chain .65 (44 Pitches)
18	54395	Screw, Hex Head 1/4-20 X 5/8	39	60472	Repair Link Kit (Incl. Offset and Connecting Link)
19	74216	Nut, Lock 1/4-20			
20	74161	Lever			
21	72978	Bolt, Shoulder (Special) 1/4-28 X 1 5/8			

ROPER 32" REAR ENGINE RIDING LAWN MOWER ELECTRIC START 8.0 H.P. MODEL NUMBER K8327AR

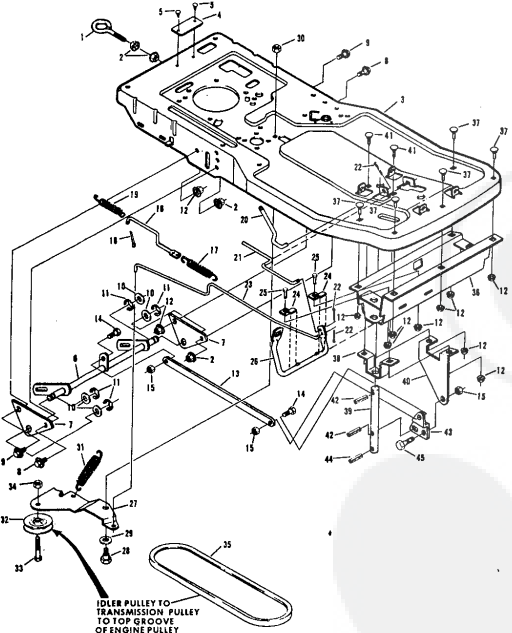
REPAIR PARTS



ROPER 32" REAR ENGINE RIDING LAWN MOWER ELECTRIC START 8.0 H.P. MODEL NUMBER K8327AR

Ref. No.	Part No.	Part Name	Ref. No.	Part No.	Part Name
1	74544	Steering Wheel	29	54922	Nut, Keps 5/16-18
2	74572	Inset Cap	30	74531	Shifter Gate
3	50830	Nut, Lock 1/2-20	31	74560	Decal - Shift
4	53632	Washer, Flat Steel .531-1 X .063	32	74601	Decal-Side Panel (L.H.-R.H.)
5	72705	Steering Shaft Cover	33	74561	Decal-Brake Control
6	74565	Steering Shaft - Upper	34	74512	Decal-Engine Area
7	74582	Steering Shaft Extension	35	72926	Battery Holder
8	69902	Bolt, Hex Head 1/4-20 X 1 1/4	36	73319	Wing Head Stud
9	63601	Nut, Lock 1/4-20	37	73320	Receptacle
10	74523	Console Assembly	38	73321	Split Ring
11	71263	Screw, Thread Cutting 5/16-18 X 1/2	39	72987	Blade Brake Rod
12	71673	Flanger Cap	40	74544	Bolt Keeper
13	55862	Knob	41	53018	Idler Pulley
14	75122	Decal-Operating Instructions	42	74613	Spring Arm
15	74558	Decal-Instruction	43	51961	Nut, Lock 3/8-16
16	74563	Seat Assembly	44	75045	Spring
17	75070	Decal - Seat	45	74538	Blade Clutch Lever
18	74563	Front Panel	46	71246	Grip
19	72639	Bolt, Shoulder (Special) 1/2-13	47	74539	Handle Bracket
20	18810	Washer, Lock - 1/2"	48	75339	Control Arm Assembly
21	53034	Washer, Flat Steel .531-1.187 X .127	49	62336	Nut, Lock 3/8-16
22	74537	Remote Control Assembly (Incl. Ref. 123)	50	67510	Washer, Flat Steel .390-5/8 X .090
23	61159	Knob - Remote Control	51	74559	Decal-Enter and Exit
24	74534	Side Panel - R.H.	52	74557	Decal-Brake Instruction
25	74532	Side Panel - L.H.	53	68306	Decal-Clutch and Brake
26	68346	Screw, Self-Topping 1/4-20 X 3/4	54	74542	Idler Support Bracket
27	71949	Screw, Machine Hex Head 5/16-18 X 3/4	55	51630	Bolt, Carriage 5/16-18 X 3/4
28	52915	Washer, Flat Steel .328-1.125 X .063	56	74543	Idler Arm
			57	67665	Foot Pad
			58	67189	Foot Pedal Plate
			59	67613	Bolt, Carriage 5/16-18 X 3/4
			60	72384	Floor Board Pad

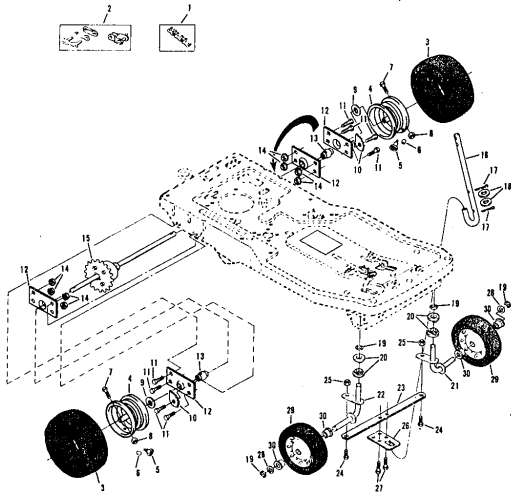
ROPER 32" REAR ENGINE RIDING LAWN MOWER ELECTRIC START 8.0 H.P. MODEL NUMBER K8327AR



ROPER 32" REAR ENGINE RIDING LAWN MOWER ELECTRIC START 8.0 H.P. MODEL NUMBER K8327AR

Ref. No.	Part No.	Part Name	Ref. No.	Part No.	Part Name
1	70530	Tow Hitch - Eyebolt	24	72360	Foot Pedal Clamp
2	55615	Nut, Keps 3/8-16	25	54262	Screw, Machine Hex W/Washer 5/16-18 X 5/8
3	74514	Chassis Assembly	26	72387	Foot Pedal
4	74524	Number Plate	27	67174	Motion Idler
5	61000	Plastic Rivet	28	58855	Bolt, Shoulder (Special) 5/16-24
6	75264	Lever Arm Assembly	29	67725	Washer, Flat Steel .531-1 X .134
7	75265	Side Bracket	30	54928	Nut, Lock 5/16-24
8	55912	Screw, Hex Head 3/8-16 X 3/4	31	73275	Spring - Idler
9	51630	Screw, Hex Head 5/16-18 X 3/4	32	58018	Pulley - Idler
10	53748	Washer, Flat Steel .640-1 X .063	33	55918	Screw, Hex Head 3/8-16 X 1 1/2
11	52364	E-Ring 5/8 Shaft	34	51961	Nut, Hex Lock 3/8-16
12	54922	Nut, Keps 5/16-18	35	67346	V-Belt
13	74545	Parallel Bar	36	72357	Front Member Assembly
14	67394	Bolt, Shoulder 5/16-18 X 3/4	37	72375	Lifter Bracket
15	63124	Nut, Lock 5/16-18	38	74516	Ballcrank Bracket
16	72386	Brake Rod - Rear	39	63079	Bolt, Carriage 5/16-18 X 1
17	64284	Spring	40	74572	Drive Lock Pin Type B
18	2947	Cotter Pin - 3/4	41	74522	Ballcrank
19	62355	Spring	42	73446	Drive Lock Pin Type F
20	74527	Lifter Handle	43	68475	Bolt, Shoulder 5/16-18 X 3/4
21	72361	Parking Brake Rod			
22	63640	Cotter Pin - 3/4			
23	72393	Motion Clutch and Brake Rod			

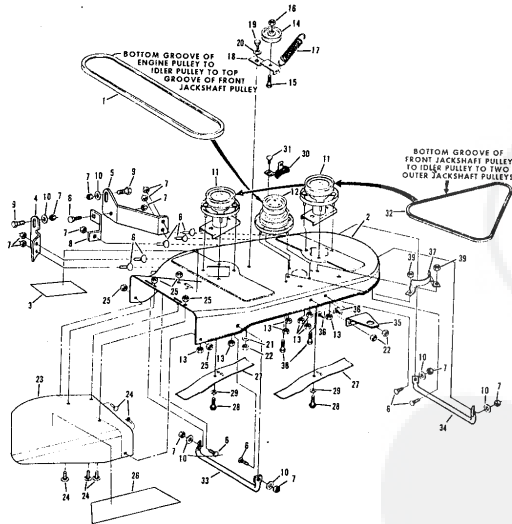
ROPER 32" REAR ENGINE RIDING LAWN MOWER ELECTRIC START 8.0 H.P. MODEL NUMBER K8327AR



ROPER 32" REAR ENGINE RIDING LAWN MOWER ELECTRIC START 8.0 H.P. MODEL NUMBER K8327AR

Ref. No.	Part No.	Part Name	Ref. No.	Part No.	Part Name
1	72818	Chain - 41 (82 Pitch)	17	2655	Cutter Pin - 1/8
2	60474	Repair Link Kit (Incl. Offset and Connecting Link)	18	57911	Washer, Flat Steel .640-1.250 X .063
3	70302	Tire - 13/8.00 X 4 (R.R.-L.R.)	19	53264	E-Ring 5/8 Shaft
4	70301	Rim (R.R.-L.R.)	20	71208	Bushing
5	65139	Valve Stem (R.R.-L.R.)	21	72401	Kingpin - L.H.
6	59192	Valve Cup (R.R.-L.R.)	22	72400	Kingpin - R.H.
7	67349	Bolt, Hex Head 5/16-18 X 1 5/8 (R.R.-L.R.)	23	72358	Tie Bar
8	67818	Nut, Lock 5/16-18 (R.R.-L.R.)	24	55855	Bolt, Shoulder (Special) 5/16-24 (R.F.-L.F.)
9	52966	Washer, Flat Steel .765-1.250 X .060 (R.R.-L.R.)	25	68990	Nut, Lock 5/16-24 (R.F.-L.F.)
10	67703	Chain Adjuster	26	72359	Steering Plate
11	51447	Screw, Hex Head 5/16-18 X 7/8 (R.R.-L.R.)	27	71063	Screw, Hex Head Thread Cutting 5/16-18 X 1/2
12	72382	Bearing Cup (R.R.-L.R.)	28	53848	Washer, Flat Steel .630-1 X .031
13	62346	Bearing (R.R.-L.R.)	29	67350	Wheel and Tire Assembly 10.50 X 3.50 (R.F.-L.F.) (Incl. Ref. #30)
14	54522	Nut, Keps 5/8-18 (R.R.-L.R.)			
15	73523	Differential Assembly (See Page 28)			
16	72547	Steering Shaft	30	64906	Bearing (R.F.-L.F.)

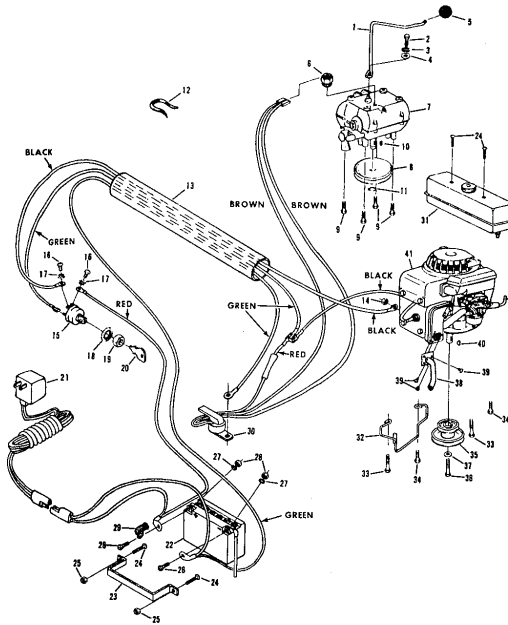
ROPER 32" REAR ENGINE RIDING LAWN MOWER ELECTRIC START 8.0 H.P. MODEL NUMBER K8327AR



ROPER 32" REAR ENGINE RIDING LAWN MOWER ELECTRIC START 8.0 H.P. MODEL NUMBER K8327AR

Ref. No.	Part No.	Part Name	Ref. No.	Part No.	Part Name
1	74212	V-Belt	20	67356	Washer, Flat Steel .630-1 X .050
2	79276	Housing W/Slit Screwing W/Decal (Incl. Ref. #3)	21	55611	Washer, Flat Steel .405-.860 X .172
3	75382	Decal - Housing	22	62336	Nut, Lock 3/8-16
4	74551	Housing Lifter - R.H.	23	71596	Discharge Guard
5	74552	Housing Lifter - L.H.	24	73383	Bolt, Carriage 1/4-20 X 5/8
6	59476	Bolt, Carriage 5/16-18 X 3/4	25	65001	Nut, Lock 1/4-20
7	63124	Nut, Lock 5/16-18	26	75085	Decal - Discharge Guard
8	74553	Strip	27	67405	Blade
9	58909	Bolt, Shoulder (Special) 5/16-18	28	67676	Screw, Machine Hex Head 3/8-24 X 7/8
10	50806	Washer, Flat Steel .328-.750 X .063	29	67354	Washer, Flat Steel .390-2.38 X .156
11	69542	Jackshaft Assembly - Driven	30	68107	Brake Assembly
12	69542	Jackshaft Assembly - Driver	31	73609	Bolt, Hex Head 3/8-16 X 5/8
13	55615	Nut, Keps 3/8-16	32	67398	V-Belt
14	67400	Idler Pulley	33	74548	Skid - R.H.
15	55918	Screw, Hex Head W/Lock Washer 3/8-16 X 1 1/2	34	74549	Skid - L.H.
16	51961	Nut, Lock 3/8-16	35	74550	Mower Support
17	67401	Spring	36	61306	Bolt, Carriage 3/8-16 X 3/4
18	67399	Idler Arm	37	67404	Bolt Knob
19	62361	Bolt, Shoulder (Special) 3/8-16	38	54982	Screw, Hex Head 5/16-18 X 3/4
			39	54922	Nut, Keps 5/16-18

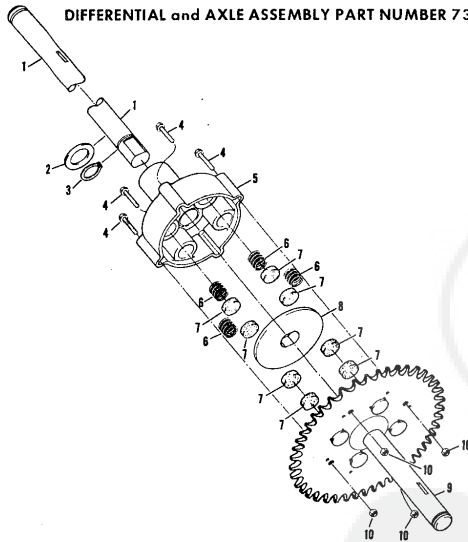
ROPER 32" REAR ENGINE RIDING LAWN MOWER ELECTRIC START 8.0 H.P. MODEL NUMBER K8327AR



ROPER 32" REAR ENGINE RIDING LAWN MOWER ELECTRIC START 8.0 H.P. MODEL NUMBER K8327AR

Ref. No.	Part No.	Part Name	Ref. No.	Part No.	Part Name
1	75266	Shift Lever	24	58609	Screw, Machine 1/4-20 X 5/8
2	75246	Bolt, Hex Head 1/4-28 X 1/2	25	63601	Nut, Lock 1/4-20
3	5081	Washer, Lock 1/4	26		Screw, Hex Head 1/4-20
4	53847	Washer, Flat Steel .265-.750 X .063	27		(Furnished With Battery Pack)
5	55862	Knob	28		Washer, Lock 1/4-20
6	74525	Switch - Transmission	29		(Furnished With Battery Pack)
7	794212	Knob	29	64422	Terminal Block
		Transmission Assembly Model 145-719 (See Pages 30 and 31)	30	74530	Switch - Relay Module
8	73541	Pulley - Transmission	31	74099	Fuel Tank
9	54262	Screw, Machine Hex Head 5/16-18 X 7/8	32	72392	Belt Keeper
10	58349	Key, Woodruff #9	33	74956	Screw, Thread Form 5/16-18 X 1
11	65302	Retainer Ring 5/8 Shaft	34	55187	Screw, Hex Head Topping 5/16-18 X 3/4
12	43174	Wire Tie	35	72388	Engine Pulley
13	74535	Wire Harness	36	68274	Screw, Machine 3/8-24 X 1 3/8
14	53490	Nut, Lock 1/4-20	37	62735	Washer, Flat Steel .375-1.250 X .201
15	72841	Ignition Switch (Incl. Ref. #16, 17, 18, 19, 20)	38	75063	Exhaust Tube
16	67756	Screw, #10-32 X .31	39	36462	Screw, #8 Type AB X 3/8
17	67757	Washer, Lock Internal Tooth #10	40	32859	Key, Woodruff #61
18	67758	Washer, Lock Internal Tooth 5/8	41		Engine Model-WM80-15010SD (Cummins Products Company) (8.0 H.P.)
19	67759	Nut, Hex 5/8-32		74569	Parts List - Owner's Manual
20	67760	Key Set (Pair)			
21	70452	Battery Charger			
22	70451	Battery Pack			
23	72706	Battery Strap			

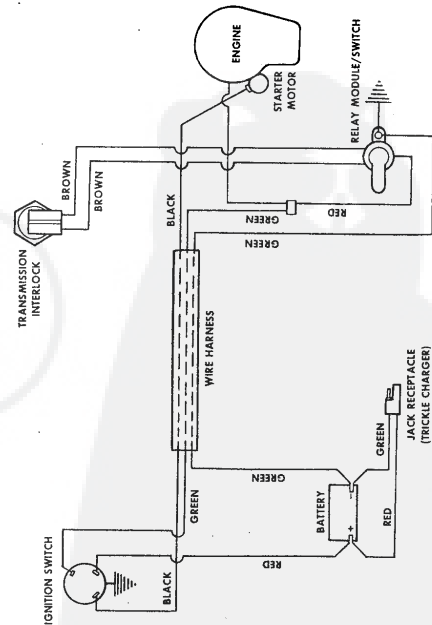
ROPER 32" REAR ENGINE RIDING LAWN MOWER ELECTRIC START 8.0 H.P. MODEL NUMBER K8327AR  
DIFFERENTIAL and AXLE ASSEMBLY PART NUMBER 73523



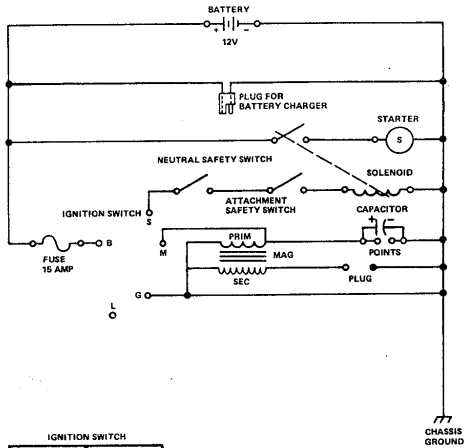
Ref. No.	Part No.	Part Name	Ref. No.	Part No.	Part Name
1	79099	Slip Axle	5	79022	Housing W/Bearings
2	78982	Washer, Thrust .751-1.250 X .0478	6	78979	Spring
3	35586	Retaining Ring	7	78978	Friction Block
4	79017	Screw, Machine Torx Head 5/16-24 - 2	8	78976	Drive Disc
			9	79100	Fixed Axle Assembly
			10	79018	Nut, Lock 5/16-24

WIRING DIAGRAM

ROPER 32" REAR ENGINE RIDING LAWN MOWER ELECTRIC START 8.0 H.P. MODEL NUMBER K8327AR



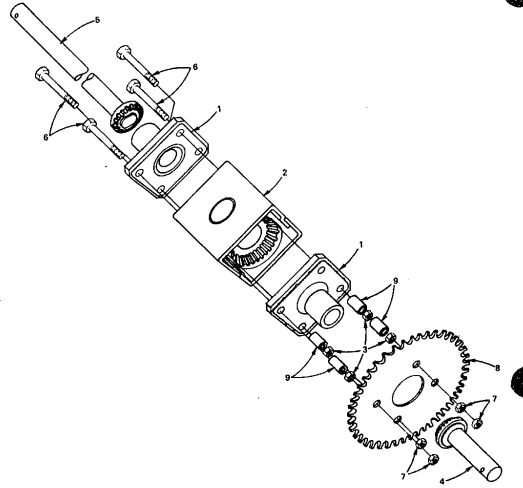
32" REAR ENGINE RIDING LAWN MOWER-MODEL NUMBER K8327BR  
SCHEMATIC DIAGRAM



IGNITION SWITCH	
POSITION	CIRCUIT
OFF	M-G
ON	B-L
START	B-S

REPAIR PARTS

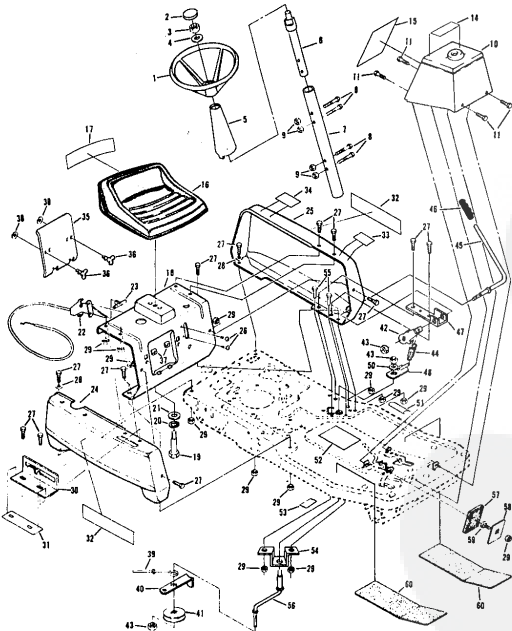
32" REAR ENGINE RIDING LAWN MOWER-MODEL NUMBER K8327BR  
DIFFERENTIAL ASSEMBLY PART NUMBER 2112J



KEY NO.	PART NO.	DESCRIPTION
1	2308J	End Cap - Bearing Assembly
2	2305J	Transfer Gear Case Assembly
3	504P	Hex Nut - 5/16 - 18 UNC
4	2310J	Gear Shaft Assembly - Right
5	2311J	Gear Shaft Assembly - Left
6	338P	Hex Bolt (Plated) 5/16 - 18 x 4 - 1/2
7	575P	Locknut - Gripco 5/16 - 18 UNC (Plated)
8	2312J	Sprocket
	2313J	Sprocket

REPAIR PARTS

32" REAR ENGINE RIDING LAWN MOWER-MODEL NUMBER K8327BR  
STEERING AND ENCLOSURE GROUP



REPAIR PARTS

32" REAR ENGINE RIDING LAWN MOWER-MODEL NUMBER K8327BR  
STEERING AND ENCLOSURE GROUP

KEY NO.	PART NO.	DESCRIPTION	KEY NO.	PART NO.	DESCRIPTION
1	7456A	Steering Wheel	30	74531	Shifter Gate
2	1114J	Insert Cap	31	74560	Decal - Shift
3	588P	*Jam Nut 1/2 - 20 UNF	32	74601	Decal - Roper
4	1545P	Washer 17/32 x 1 x 16 Ga.	33	74501	Decal - Blade Control
5	72705	Steering Shaft Cover	34	74512	Decal - Engine Area
6	74505	Steering Shaft - Upper	35	72926	Battery Holder
7	74682	Steering Shaft Extension	36	73319	Wing Head Stud
8	3255P	*Bolt, Hex 1/4 - 20 x 1 - 1/4 G. 5	37	23220	Biscuitade
9	588P	Locknut with Washer Insert 1/4 - 20 UNC	38	73321	Split Ring
10	74523	Console Assembly	39	72987	Blade Brake Rod
11	3383P	Screw, Hex Thread Rolling 5/16 - 18 x 1/2	40	74544	Bolt Keeper
14	75122	Decal - Operating Instructions	41	53018	Idler Pulley
15	74558	Decal - Instruction	42	74513	Spring Arm
16	1498J	Seat	43	545P	*Locknut - Gripco 3.8 - 16 UNC
17	75070	Decal - Seat	44	75045	Spring
18	74563	Front Panel	45	74538	Blade Clutch Lever
19	72639	Bolt, Shoulder 1/2 - 13 UNC	46	71246	Grip
20	1002P	*Lockwasher 1/2	47	74539	Handle Bracket
21	1625P	Washer 17/32 x 1 - 3/16 x 12 Ga.	48	75330	Control Arm Assembly
22	1544J	Throttle Control (See Key No. 23)	50	1638P	Washer 13/32 x 7/8 x 6 Ga.
23	61159	Knob - Remote Control	51	74559	Decal - Enter and Exit
24	74534	Side Panel - R.H.	52	74557	Decal - Brake Instruction
25	74532	Side Panel - L.H.	53	376J	Decal - Clutch and Brake
26	5547P	*Screw, Phillips Thuss Hd. Thread Cut 1/4 - 20 x 3/4	54	74542	Idler Support Bracket
27	3386P	Screw, Hex Washer Hd. Machine 5/16 - 18 x 3/4	55	3010P	*Bolt, Hex 5/16 - 18 x 3/4
28	1625P	Washer 17/32 x 1 - 1/8 x 16 Ga.	56	74543	Idler Arm
29	575P	*Locknut - Gripco 5/16 - 18 UNC	57	67265	Foot Pad
			58	67189	Foot Pedal Plate
			59	67613	Bolt, Carriage 5/16 - 18 x 3/4 Special
			60	72584	Floor Board Pad
			...	2086J	Fact and Warranty Tag
			...	2016J	Owner's Manual

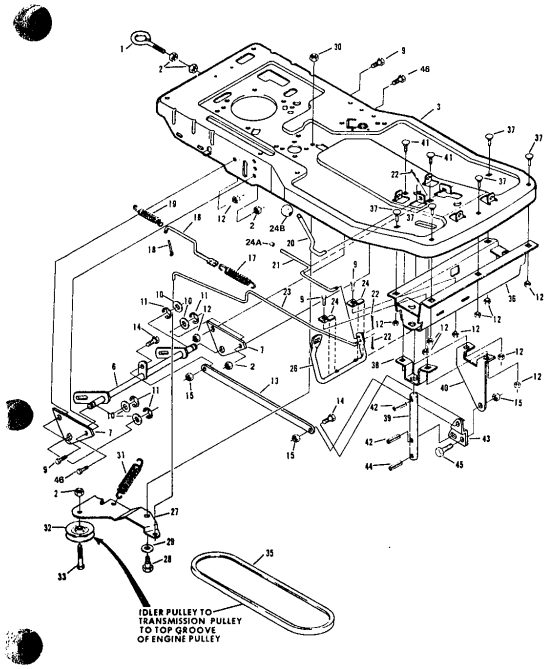
\*STANDARD HARDWARE - PURCHASE LOCALLY



**REPAIR PARTS**

32" REAR ENGINE RIDING LAWN MOWER-MODEL NUMBER K8327BR

**CHASSIS**



**REPAIR PARTS**

32" REAR ENGINE RIDING LAWN MOWER-MODEL NUMBER K8327BR

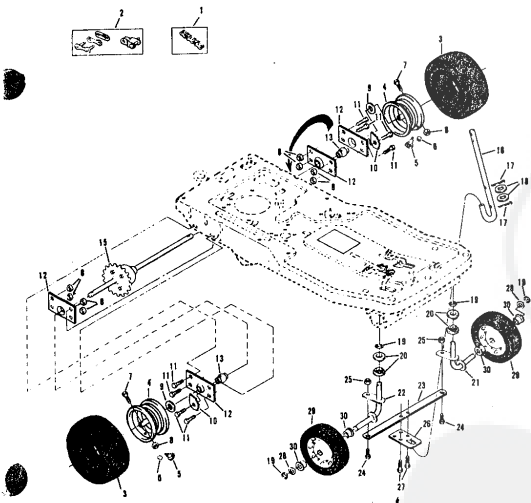
**CHASSIS**

KEY NO.	PART NO.	DESCRIPTION	KEY NO.	PART NO.	DESCRIPTION
1	70530	Tow Hitch - Eyebolt	26	72387	Foot P.d.t
2	545P	*Locknut, Gripco 3/8 - 16 UNC	27	67374	Motion Filter
3	74914	Chassis	28	59595	Bolt, Shoulder 5/16 - 24 x 1/2
6	75254	Lever Arm Assembly	29	1628P	Washer 17/32 x 1 1/2 x 10 Ga.
7	75265	Side Bracket	30	586P	Nut, Nylok 5/16 - 24 UNF
9	3010P	*Bolt, Hex 5/16 - 18 x 3/4	31	2044J	Spring - Idler
10	1580P	Washer 21/32 x 1 x 16 Ga.	32	63018	Pulley - Idler
11	5001P	E-Ring	33	6066P	Bolt, Hex with Sems Lockwasher 3/8 - 16 x 1 - 1/2
12	563P	*Locknut, Gripco 5/16 - 18 UNC Gr. B	35	67346	Front Member Assembly
13	74545	Parallel Bar	36	72357	*Bolt, Carriage 5/16 - 18 x 3/4 Gr. 5
14	67394	Bolt, Shoulder 5/16 - 18 x 3/4	37	67P	Lifter Bracket
15	586P	Locknut, Nylok 5/16 - 18 UNC	38	72375	Spring
16	73798	Brake Rod - Rear	39	74516	Housing Lifter
17	64284	Spring	40	74515	Bolt, Carriage 5/16 - 18 x 1 Gr. 5
18	2003P	*Cotter Pin 3/32 x 3/4	41	68P	Driver Lock Pin - Type B
19	62755	Spring	42	74530	Drive Lock Pin - Type F
20	74521	Lifter Handle	43	74522	Beltlink
21	72361	Parking Brake Rod	44	73446	Drive Lock Pin Type F
22	63646	Cotter Pin 5/64 x 3/8	45	68475	Bolt, Shoulder 5/16 - 18 x 3/4
23	72393	Motion Clutch and Brake Rod	46	3021P	Bolt, Hex 3/8 - 16 x 3/4
24	72360	Flange Cap			
24A	71823	Knob			
24B	55862	Knob			

**REPAIR PARTS**

32" REAR ENGINE RIDING LAWN MOWER-MODEL NUMBER K8327BR

**WHEEL GROUP**



**REPAIR PARTS**

32" REAR ENGINE RIDING LAWN MOWER-MODEL NUMBER K8327BR

**WHEEL GROUP**

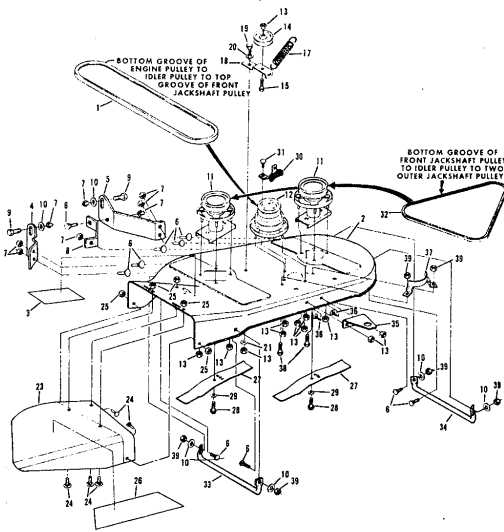
KEY NO.	PART NO.	DESCRIPTION	KEY NO.	PART NO.	DESCRIPTION
1	72818	Chain	16	72547	Steering Shaft
2	80474	Repair Link Kit (Inc. Offset and Connecting Link)	17	2606P	*Cotter Pin 1/8 x 1
3	70302	Tire 13 - 6.00 x 6	18	1628P	Washer 21/32 x 1 - 1/4 x 16 Ga.
4	70301	Rim - Rear	19	5001P	E-Ring
5	65138	Valve Stem	20	71208	Bearing
6	59192	Valve Cap	21	72401	Kingspin - L.H.
7	5386P	*Bolt, Hex 5/16 - 18 x 1 - 5/8 Gr. 5	22	72400	Kingspin - R.H.
8	653P	*Locknut, Gripco 5/16 - 18 UNC Gr. B	24	56855	Bolt, Shoulder - Special 5/16 - 24
9	1617P	Washer 25/32 x 1 - 1/4 x 16 Ga.	25	562P	Locknut, Hex with Washer Insert 5/16 - 24 UNF
10	67703	Chain Adjuster	26	72359	Steering Plate
11	6067P	Bolt, Hex with Sems Lockwasher 5/16 - 18 x 1	27	3390B	Screw, Thread Rolling 5/16 - 18 x 1/2
12	72382	Bearing Cup	28	1630P	Washer 21/32 x 1 x 21 Ga.
13	62346	Bearing	29	67350	Wheel and Tire Assembly 11.00 x 4.00 (Inc. Key No. 30)
15	2112J	Differential Assembly	30	64906	Bearing

\*STANDARD HARDWARE - PURCHASE LOCALLY

**REPAIR PARTS**

32" REAR ENGINE RIDING LAWN MOWER-MODEL NUMBER K8327BR

MOWER



**REPAIR PARTS**

32" REAR ENGINE RIDING LAWN MOWER-MODEL NUMBER K8327BR

MOWER

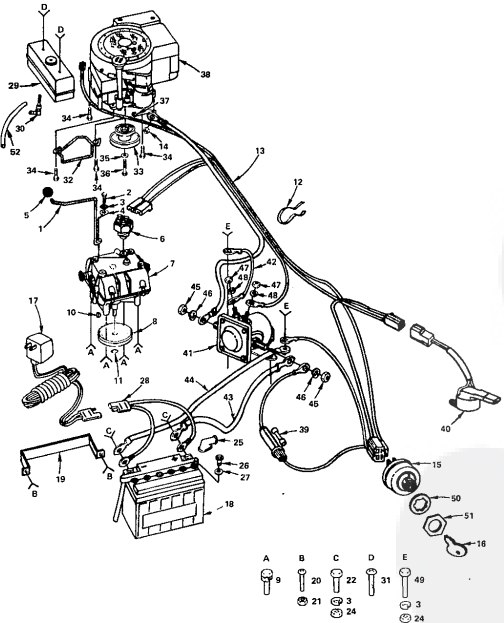
KEY NO.	PART NO.	DESCRIPTION	KEY NO.	PART NO.	DESCRIPTION
1	74212	V-Belt	21	1622P	Washer, 13/32 x 7/8 x 7 Ga.
2	75203	Housing with Silk Screening	22	71596	Discharge Guard
3	75382	Decal - Outer Head	24	70P	*Bolt, Carriage 1/4 - 20 x 3/4 Gr. 5
4	74551	Housing Lifter - R.H.	25	560P	Locknut, Gripco 1/4 - 20 UNC
5	74552	Housing Lifter - L.H.	26	75085	Decal - Discharge Guard
6	69P	*Bolt, Carriage 5/16 - 18 x 3/4 Gr. 5	27	67405	Blade
7	690P	Locknut, Nylon 5/16 - 18 UNC	28	6000P	Screw, Hex Machine w/Sems Lockwasher
8	74553	Strap	29	1631P	Nylon Patch 3/8 - 24 x 7/8 Gr. 5
9	56908	Bolt, Shoulder - Special	30	88107	Washer, 13/32 x 2 - 3/8 x 10 Ga.
10	50808	*Washer 11/32 x 3/4 x 16 Ga.	31	1631P	Brake Assembly
11	71633	Jackshaft Assembly - Driven	32	3021P	*Bolt, Hex 3/8 - 16 x 3/4
12	6925	Jackshaft Assembly - Driver	33	1631P	V-Belt
13	545P	Locknut, Gripco 3/8 - 16 UNC	34	74548	Skid - R.H.
14	67400	Idler Pulley	35	74549	Skid - L.H.
15	6066P	Bolt, Hex with Sems Lockwasher 3/8 - 18 x 1 - 1/2	36	74550	Mower Support
16	6066P	Bolt, Hex with Sems Lockwasher 3/8 - 18 x 1 - 1/2	37	19P	*Bolt, Carriage 3/8 - 16 x 3/4
17	67401	Spring	38	8052P	Screw, Hex Head with Sems Lockwasher 5/16 - 18 x 3/4
18	67389	Idler Arm	39	553P	Washer - Special
19	62361	Bolt, Shoulder - Special			
20	67356	Washer - Special			

\*STANDARD HARDWARE-PURCHASE LOCALLY

**REPAIR PARTS**

32" REAR ENGINE RIDING LAWN MOWER-MODEL NUMBER K8327BR

ELECTRICAL



**REPAIR PARTS**

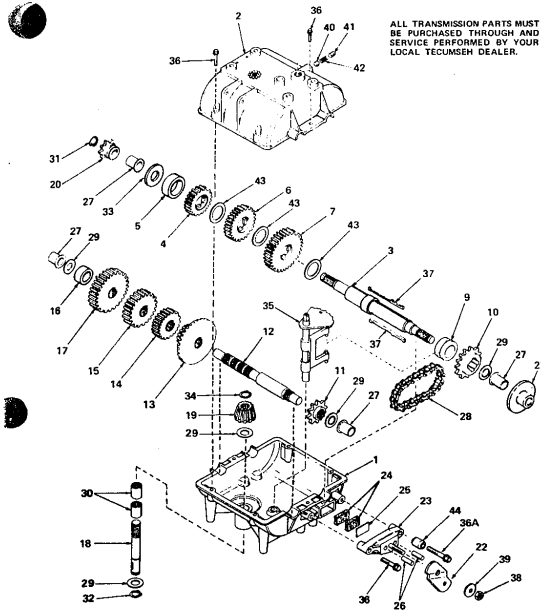
32" REAR ENGINE RIDING LAWN MOWER-MODEL NUMBER K8327BR

ELECTRICAL

KEY NO.	PART NO.	DESCRIPTION	KEY NO.	PART NO.	DESCRIPTION
1	75268	Shift Lever	28	600J	Charger Plug Assembly
2	5386P	Bolt, Hex 1/4 - 28 x 1/2 Gr. 5	29	742J	Fuel Tank
3	1002P	Lockwasher 1/4	30	730J	Fuel Tank Elbow
4	1907P	Washer 9/32 x 3/4 x 16 Ga.	31	3368P	Screw, Trans Hd. Phillips 1/4 - 20 x 5/8
5	6562	Knob	32	677A201	Belt Keeper Assembly
6	74925	Switch - Transmission	33	2188J	Engine Pulley
7	194122A	Transmission Assembly (718A)	34	5608P	Screw, Hex Hd. Thd. Rolling 3/8 - 18 x 1 - 1/2
8	73641	Pulley - Transmission	35	1634P	Washer 3/8 x 1 - 1/4 x 7 Ga.
9	6066P	Bolt w/Sems Lockwasher 5/16 - 18 x 5/8	36	6070P	Screw, Hex Hd. w/Sems Lockwasher 3/8 - 24 x 1 - 3/8 Nylon Patch Gr. 5
10	68349	Key, Woodruff No. 9	37	65053	Key, Woodruff No. 5
11	65302	Retaining Ring	38	191705	Engine, 8 H.P. Briggs & Stratton Type No. 564701
12	43174	Wire Tie	39	63478	Fuse - 30 Amp.
13	2261J	Wire Harness	40	2053J	Safety Switch
14	63490	Locknut 1/4 - 20	41	7754R	Solenoid
15	4408R	Ignition Switch	42	8021R	Wire, Solenoid Ground
16	7952H	Key	43	663J	Cable Assembly (Battery to Solenoid)
17	70452	Battery Charger	44	2058J	Cable Assembly (Battery to Ground)
18	70451	Battery Pack	45	560P	Nut, Hex 5/16 - 24 UNF
19	72708	Battery Strap	46	1007P	Lockwasher 5/16
20	3397P	Screw, Trans Hd. Phillips 1/4 - 20 x 1/2	47	545P	Nut, Hex No. 10 - 32
21	988P	Locknut, 1/4 - 20 UNC w/Washer Inset	48	1006P	Lockwasher No. 10
22	3114P	Screw, Hex Head 1/4 - 20 x 1/2 (Furnished w/Battery Pack)	49	3003P	Bolt, Hex 1/4 - 20 x 3/4
24	603P	Hex Nut 1/4 - 20	50	67158	Lockwasher, Internal Tooth 5/8
25	718J	Terminal Boot	51	67759	Nut 5/8 - 32 UNF
26	2223J	Cap - Battery	52	2316J	Fuel Line
27	2224J	Gasket - Battery			

**REPAIR PARTS**

32" REAR ENGINE RIDING LAWN MOWER-MODEL NUMBER K8327BR  
TRANSMISSION MODEL NUMBER 719A



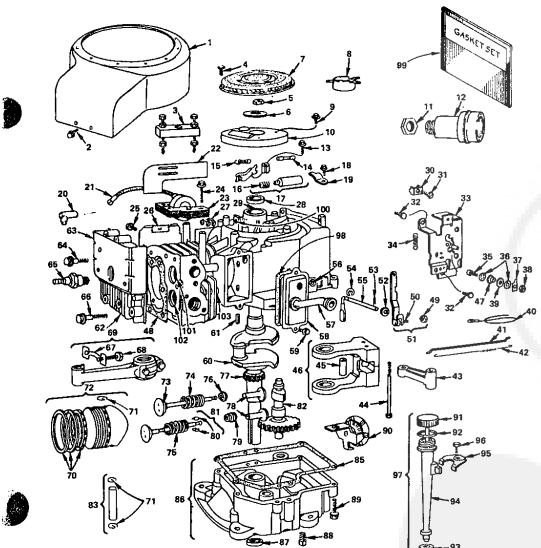
**REPAIR PARTS**

32" REAR ENGINE RIDING LAWN MOWER-MODEL NUMBER K8327BR  
TRANSMISSION MODEL NUMBER 719A

KEY NO.	PART NO.	DESCRIPTION	KEY NO.	PART NO.	DESCRIPTION
1	794212A	Complete Transmission (719A)	25	39007	Plate, Brake pad
2	770061	Case, Transmission	26	78026	Pin, Dowel
3	775070	Shaft, Output and Brake	27	78005	Bushing, Flanged
4	776122	Gear, Spur (20 teeth)	28	76081	Chain, Roller (No. 41 chain, 24 links)
5	785027	Screw, Washer	29	780072	Race, Thrust
6	776123	Gear, Spur (25 teeth)	30	29106	Bearing, Needle
7	776124	Gear, Spur (30 teeth)	31	792072	Ring, Retaining
8	754706	Collar, Shaft	32	78006	Ring, Retaining
9	784706	Sprocket (18 teeth)	33	780109	Washer
10	784853	Sprocket (18 teeth)	34	788490	Ring, Retaining
11	785082	Sprocket (18 teeth)	35	784270	Head & Fork Assy., Shift
12	776134	Shaft, Counter	36	782073	Screw, Hex hd, tapite, 1/4" x 2-1/4"
13	723109	Gear, Sprocket (42 tooth and 15 tooth spur gear)	36A	792085	Screw, Hex hd, tapite, 1/4" x 2-1/4"
14	776126	Gear, Spur (20 teeth)	37	792089A	Key
15	776127	Gear, Spur (25 teeth)	38	782075	Nut, 5/16" x 24 lock
16	788071	Sprocket	39	792076	Washer, Flat, 5/16"
17	776129	Gear, Spur (30 teeth)	40	782077	Ball, Steel, 5/16"
18	776135	Shaft, Input	41	792078	Screw, Set, 5/16" x 3/8"
19	776133	Sprocket, Input	42	792079	Spring
20	786047	Sprocket (18 teeth)	43	780106	Washer, Thrust
21	795004	Link, Brake	44	786007	Sprocket
22	795005	Lever, Brake			
23	790005	Holder, Brake pad			
24	790006	Pad, Brake			

**REPAIR PARTS**

32" REAR ENGINE RIDING LAWN MOWER-MODEL NUMBER K8327BR  
BRIGGS & STRATTON 8 H.P. ENGINE-MODEL NO. 191705, TYPE NO. 5647-01  
CYLINDER, CRANKSHAFT AND ENGINE BASE GROUP



**REPAIR PARTS**

32" REAR ENGINE RIDING LAWN MOWER-MODEL NUMBER K8327BR  
BRIGGS & STRATTON 8 H.P. ENGINE-MODEL NO. 191705, TYPE NO. 5647-01  
CYLINDER, CRANKSHAFT AND ENGINE BASE GROUP

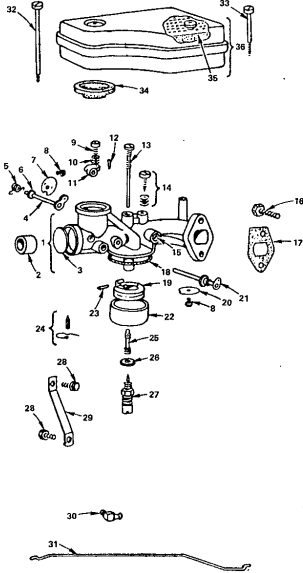
KEY NO.	PART NO.	DESCRIPTION	KEY NO.	PART NO.	DESCRIPTION
1	391379	Housing - Blower	61	61760	Key - Flywheel
2	93188	Screw - Set	62	21286	Cylinder Head
3	18165	Pin - Flywheel	63	222536	Cover - Cylinder Head
4	93905	Screw - Set	64	63211	Screw - 2, 21/32"
5	92284	Nut - Flywheel	65	282918	Spark Plug Resistor
6	220855	Washer - Spring	65	63222	Screw - 3"
7	222552	Screw - Flush Retaining	67	222114	Lock - Connecting Rod Screw
8	222551	Cup - Screen Mfg	68	82559	Screw - Connecting Rod
9	93705	Screw - Set	69	390402	Rod Assy. - Connecting
10	222117	Cover - Breaker Point	70	391699	(Inc. Key No's. 67 & 68)
11	91242	Locknut - Muffler	70	391670	RING SET - PISTON - Std.
12	393010	Muffler - Exhaust	70	391671	.010 Oversize
13	93381	Screw - Breaker Arm	70	391672	.020 Oversize
14	65704	Plunger - Breaker Point	70	391673	.030 Oversize
15	26018	Spring - Breaker Arm	71	68546	Lock - Piston Pin
16	260374	Spring - Connector	72	391674	Piston Assy. (Inc. Key No's. 70 & 71)
17	294029	Breaker Point & Condenser (Inc. Key No's. 15 & 16)	72	391675	.010 Oversize
18	93042	Screw - Set	72	391676	.020 Oversize
19	226477	Clamp - Condenser	73	391677	.030 Oversize
20	65538	Elbow - Spark Plug	73	261095	Intake Valve
21	221798	Terminal - Ignition Cable	74	65906	Spring - Intake Valve
22	221760	Guide - Air	75	28278	Spring - Exhaust Valve
23	298968	Armature Assy.	76	221526	Retainer - Intake Valve
24	93391	Screw - Armature	77	281195	Retainer - Exhaust Valve
25	93163	Screw - Set	78	260622	Tapset - Valve
26	222836	Shaft - Cylinder	79	282260	Rotocoil - Exhaust Valve
27	221907	Clip - Wire	80	93030	Retainer - Exhaust Valve
28	294606	Oil Seal	80	390419	Exhaust Valve (Inc. Key No. 80)
29	393075	Cylinder Assembly	82	211689	Gear - Cam
30	221535	Clamp - Casing	83	295640	Pin Assy. - Piston (Inc. Key No. 71)
31	93496	Screw - Set	85	295641	Pin Assy. - Piston (.005 Oversize)
32	93572	Screw	85	27750	Gasket - Crankcase Cover - 1/64" thick
33	390662	Plate - Governor Control	85	27876	Gasket - Crankcase Cover - .005" thick
34	291306	Spring - Governor	85	27877	Gasket - Crankcase Cover - .006" thick
35	91920	Screw - Terminal	86	29616	Oil Sump (Inc. Key No's. 85 and 87)
36	92761	Lockwasher	87	298423	Oil Seal
37	93722	Terminal - Speed	88	91084	Plug - Oil Drain
38	90576	Hex Nut No. 8, 32	89	93585	Screw - Set
39	66068	Washer - Insulating	90	392119	Oil Strainer - Governor
40	299500	Wire - Ground	91	391840	Cap & Dipstick - Oil Filter
41	359971	Link - Governor	92	27020	Seal - Filter Cap
42	260584	Spring - Governor Link	93	68828	Seal - Filter Tube
43	212259	Link - Counterweight	94	261133	Tube - Oil Filter
44	93874	Screw - Counterweight	95	222402	Clamp - Oil Filter Tube
45	286009	Pin - Counterweight	96	93804	Screw - Clamp Mfg
46	390172	Counterweight Assy.	97	392065	Filter Group - Oil (Inc. Key No's. 91, 92, 93, 94, 95 & 96)
47	85554	Collar - Insulating	98	27802	Gasket - Valve Cover
48	279430	Gasket - Cylinder Head	99	299577	Gasket Set
49	231082	Hex Nut No. 10 - 24	100	22513	Bushing - Plunger
50	92613	Ball - Governor Lever	101	211681	Seal - Intake Valve (Std.)
51	391733	Lever Assy. - Governor (Inc. Key No's. 49 & 50)	102	211681	Seal - Exhaust Valve (Std.)
52	222450	Washer - Governor Lever	103	236665	Guide - Exhaust Valve
53	83308	Otter - Hair Pin			
54	93207	Retainer - O-Ring			
55	231058	Crank - Governor			
56	231055	Bushing - Governor Crank			
57	280025	Breather Tube			
58	391405	Breather Assy.			
59	93536	Set Screw			
60	391577	Crankshaft			

ALL ENGINE PARTS MUST BE PURCHASED THROUGH AND SERVICE PERFORMED BY YOUR LOCAL BRIGGS AND STRATTON DEALER.

\*INCLUDED IN GASKET SET 299577  
SPARK ARRESTER ASSEMBLY (OPTIONAL)  
391913 Spark Arrester  
222537 Deflector  
93705 Screw (H required)

**REPAIR PARTS**

32" REAR ENGINE RIDING LAWN MOWER-MODEL NUMBER K8327BR  
BRIGGS & STRATTON 8 H.P. ENGINE-MODEL NO. 191705, TYPE NO. 5647-01  
CARBURETOR NUMBER 390811



ALL ENGINE PARTS MUST BE PURCHASED THROUGH AND SERVICE PERFORMED BY YOUR LOCAL BRIGGS AND STRATTON DEALER.

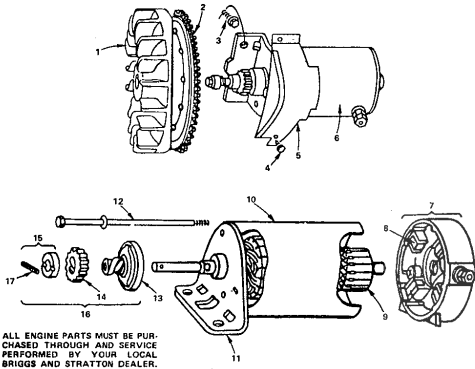
**REPAIR PARTS**

32" REAR ENGINE RIDING LAWN MOWER-MODEL NUMBER K8327BR  
BRIGGS & STRATTON 8 H.P. ENGINE-MODEL NO. 191705, TYPE NO. 5647-01  
CARBURETOR NUMBER 390811

KEY NO.	PART NO.	DESCRIPTION	KEY NO.	PART NO.	DESCRIPTION
1	209851	Body Ass'y. (Includes Key No. 3)	21	391512	Shaft & Lever - Throttle
2	211852	Venturi - Carburetor	22	221992	Bowl - Float
3	221997	*Plug - Welch	23	230806	*Pin - Float Hinge
4	390684	Shaft and Lever - Choke	24	390606	*Valve - Fuel Inlet
5	261116	Spring - Choke Return	25	230332	*Screw - Nozzle
6	270382	Washer - Choke Shaft	26	220214	*Washer - Float Bowl
7	220310	Valve - Choke	27	391235	*Valve - Needle
8	93499	Screw - Sem	28	93572	Screw
9	91920	Screw - Fil. Hd. Mach. No. 8 - 32 x 5/8	29	220237	Bracket - Carburetor
10	26157	Spring - Throttle Adjustment	30	67219	Connector - Fuel Pipe
11	211712	Stop - Throttle	31	261117	Link - Choke
12	93043	Pin - Throttle Stop	32	93323	Screw - Air Cleaner
13	299740	*Nozzle - Carburetor	33	93822	Screw - Air Cleaner
14	292691	*Valve Ass'y. - Carb. Idle	34	270539	Gasket - Air Cleaner
15	23108	Bushing - Throttle Shaft	35	270528	Element - Air Cleaner
16	93297	Screw - Carburetor Mtg.	36	391299	Air Cleaner Ass'y. (Inc. Key No. 35)
17	270824	*Gasket - Carburetor Mtg.	299852	299852	Carburetor Overhaul Kit (Inc. Parts Marked *)
18	260511	Float - Carburetor	390811	390811	Carburetor Assembly
19	299707	Valve - Throttle			
20	221966	Valve - Throttle			

**REPAIR PARTS**

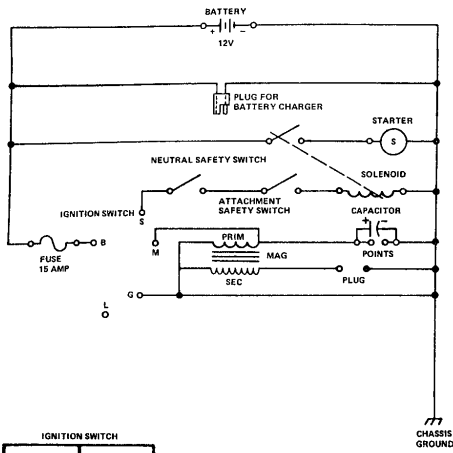
32" REAR ENGINE RIDING LAWN MOWER-MODEL NUMBER K8327BR  
BRIGGS & STRATTON 8 H.P. ENGINE-MODEL NO. 191705, TYPE NO. 5647-01  
FLYWHEEL AND STARTER MOTOR GROUP



ALL ENGINE PARTS MUST BE PURCHASED THROUGH AND SERVICE PERFORMED BY YOUR LOCAL BRIGGS AND STRATTON DEALER.

KEY NO.	PART NO.	DESCRIPTION
1	392034	Flywheel and Ring Gear Ass'y.
2	392134	Gear - Ring
3	93523	Screw - Sem
4	93410	Screw - Sem
5	390233	Cover & Shield - Starter
6	392749	Motor, Starter (Inc. Key No's. 7 thru 17)
7	392646	End Cap Ass'y., Commutator (Inc. Key No. 8)
8	391706	Brush Ass'y.
9	392747	Armature Ass'y.
10	392744	Housing Ass'y.
11	392063	End Cap Ass'y., Drive
12	391706	Thru Bolt Ass'y.
13	391195	Clutch Ass'y.
14	280104	Gear
15	391462	Retainer & Pin (Inc. Key No. 17)
16	391461	Drive Ass'y. (Inc. Key No's. 13, 14 & 15)
17	93754	Roll Pin

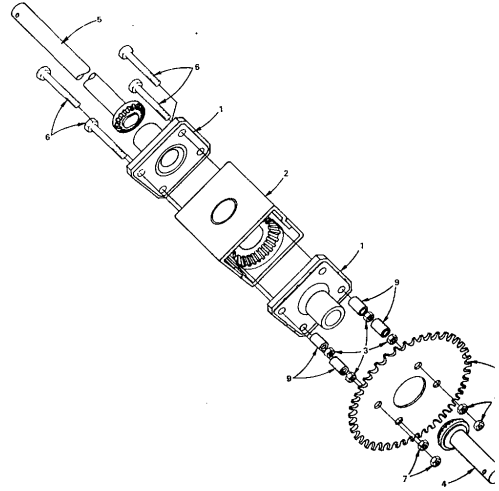
32" REAR ENGINE RIDING LAWN MOWER-MODEL NUMBER K8327CR  
SCHEMATIC DIAGRAM



IGNITION SWITCH	
POSITION	CIRCUIT
OFF	M-G
ON	B-L
START	B-S

**REPAIR PARTS**

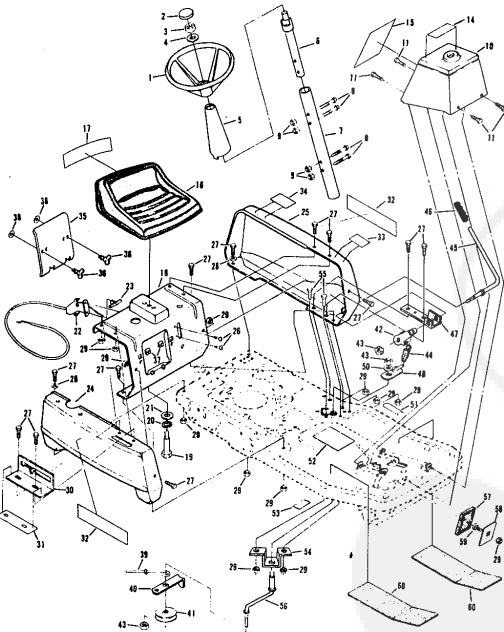
32" REAR ENGINE RIDING LAWN MOWER-MODEL NUMBER K8327CR  
DIFFERENTIAL ASSEMBLY PART NUMBER 2112J



KEY NO.	PART NO.	DESCRIPTION
1	2308J	End Cap - Bearing Assembly
2	2308J	Transfer Gear Case Assembly
3	504P	Hex Nut - 5/16 - 18 UNC
4	2310J	Gear Shaft Assembly - Right
5	2311J	Gear Shaft Assembly - Left
6	3280P	Hex Bolt (Plated) 5/16 - 18 x 4 - 1/2
7	575P	Locknut - Gripco 5/16 - 18 UNC (Plated)
8	2312J	Sprocket
9	2313J	Spacer - Sprocket

**REPAIR PARTS**

32" REAR ENGINE RIDING LAWN MOWER-MODEL NUMBER K8327CR  
STEERING AND ENCLOSURE GROUP



**REPAIR PARTS**

32" REAR ENGINE RIDING LAWN MOWER-MODEL NUMBER K8327CR  
STEERING AND ENCLOSURE GROUP

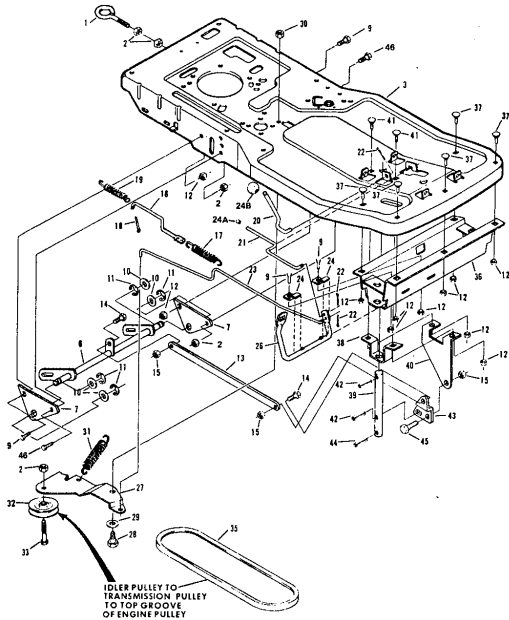
KEY NO.	PART NO.	DESCRIPTION	KEY NO.	PART NO.	DESCRIPTION
1	74564	Steering Wheel	30	74531	Shifter Gate
2	1114J	Insert Cap	31	74580	Decal - Shift
3	558P	*Jam Nut 1/2 - 20 UNF	32	74501	Decal - Roper
4	1549P	Washer 17/32 x 1 x 16 Ga.	33	74501	Decal - Blade Control
5	7270S	Steering Shaft Cover	34	74512	Decal - Engine Area
6	74556	Steering Shaft - Upper	35	7292B	Battery Holder
7	74562	Steering Shaft Extension	36	72319	Wing Head Stud
8	3255P	*Bolt, Hex 1/4 - 20 x 1 - 3/4 Gr. 5	37	73320	Recusacle
9	585P	Locknut with Washer Insert 1/4 - 20 UNC	38	73321	Suit Ring
10	74522	Console Assembly	39	72987	Blade Brake Rod
11	3390P	Screw, Hex, Thread Rolling 5/16 - 18 x 1/2	40	74544	Belt Keeper
14	75122	Decal - Operating Instructions	41	52018	Idler Pulley
15	74558	Decal - Instruction	42	74613	Spring Arm
16	1405J	Seat	44	75045	Locknut - Gripco 3/8 - 16 UNC
17	75070	Decal - Seat	45	74538	Blade Clutch Lever
18	74963	Front Panel	46	7124B	Grip
19	72638	Bolt, Shoulder 1/2 - 13 UNC (Inc. Key No. 23)	47	74539	Handle Bracket
20	1000P	*Lockwasher 1/2	48	75339	Control Arm Assembly
21	1625P	Washer 17/32 x 1 - 3/16 x 12 Ga.	50	1636P	Washer 13/32 x 7/8 x 6 Ga.
22	1544J	Throttle Control	51	74559	Decal - Enter and Exit
23	61159	*Screw, Phillips Truss Hd. Thread Cut 1/4 - 20 x 3/4	52	74557	Decal - Brake Instruction
24	74534	Side Panel - R.H.	53	376J	Decal - Clutch and Brake
25	74522	Side Panel - L.H.	54	74542	Idler Support Bracket
26	5547P	*Screw, Phillips Truss Hd. Thread Cut 1/4 - 20 x 3/4	55	3010P	*Bolt, Hex 5/16 - 18 x 3/4
27	3386P	Screw, Hex Washer Hd. Machine 5/16 - 18 x 3/4	56	74643	Idler Arm
28	1626P	Washer 17/32 x 1 - 1/8 x 16 Ga.	58	67189	Foot Pedal Plate
29	575P	*Locknut - Gripco 5/16 - 18 UNC	59	67613	Bolt, Carriage 5/16 - 18 x 3/4 Special
			60	72384	Floor Board Pad
				2079J	Owners Manual

\*STANDARD HARDWARE-PURCHASE LOCAL\*

**REPAIR PARTS**

32" REAR ENGINE RIDING LAWN MOWER-MODEL NUMBER K8327CR

**CHASSIS**



**REPAIR PARTS**

32" REAR ENGINE RIDING LAWN MOWER-MODEL NUMBER K8327CR

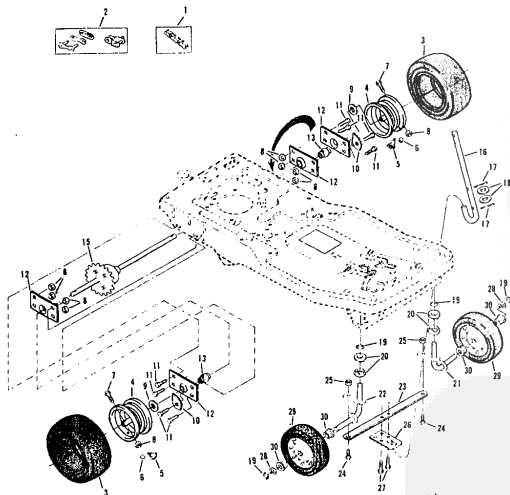
**CHASSIS**

KEY NO.	PART NO.	DESCRIPTION	KEY NO.	PART NO.	DESCRIPTION
1	70630	Tow Hitch - Eyebolt	28	72387	Foot Pedal
2	5469	*Locknut, Gripco 3/8 - 16 UNC	27	67114	Motion Idler
3	74514	Chassis	28	58855	Bolt, Shoulder 5/16 - 24 x 1/2
6	75284	Lever Arm Assembly	29	1828P	Washer 13/32 x 1 - 1/2 x 10 Ga.
7	75285	Sole Bracket	30	586P	Nut, Nylon 5/16 - 24 UNF
9	3010P	*Bolt, Hex 5/16 - 18 x 3/4	31	2044J	Spring - Idler
10	1580P	Washer 21/32 x 1 x 18 Ga.	32	53018	Pulley - Idler
11	5001P	E-Ring	33	6066P	Bolt, Hex with Sems Lockwasher 3/8 - 18 x 1 - 1/2
12	553P	*Locknut, Gripco 5/16 - 18 UNC Gr. B	35	67348	V Belt
13	74545	Parallel Bar	36	72357	Front Member Assembly
14	67394	Bolt, Shoulder 5/16 - 18 x 3/4	37	67P	Bolt, Carriage 5/16 - 18 x 3/4 Gr. 5
15	580P	Locknut, Nylon 5/16 - 18 UNC	38	72375	Lifter Bracket
16	73798	Brake Rod - Rear	39	74516	Housing Lifter
17	64294	Spring	40	74515	Ballcrank Bracket
18	2503P	*Cotter Pin 3/32 x 3/4	41	68P	Bolt, Carriage 5/16 - 18 x 1 Gr. 5
19	82755	Spring	42	74576	Drive Lok Pin - Type B
20	74527	Lifter Handle	43	74522	Ballcrank
21	72361	Parking Brake Rod	44	24648	Drive Lok Pin Type F
22	53840	Cotter Pin 5/64 x 3/4	45	68475	Bolt, Shoulder 5/16 - 18 x 3/4
23	72383	Motion Clutch and Brake Rod	46	5021P	Bolt, Hex 5/16 - 18 x 3/4
24	72360	Foot Pedal Clamp			*STANDARD HARDWARE-PURCHASE LOCALLY
24A	71673	Plunger Cap			
24B	55862	Knob			

**REPAIR PARTS**

32" REAR ENGINE RIDING LAWN MOWER-MODEL NUMBER K8327CR

**WHEEL GROUP**



**REPAIR PARTS**

32" REAR ENGINE RIDING LAWN MOWER-MODEL NUMBER K8327CR

**WHEEL GROUP**

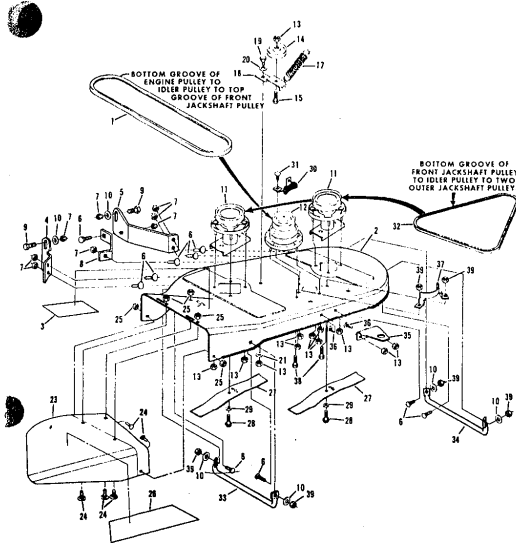
KEY NO.	PART NO.	DESCRIPTION	KEY NO.	PART NO.	DESCRIPTION
1	72818	Chain	18	72547	Steering Shaft
2	60474	Repair Link Kit (Inc. Offset and Connecting Links)	17	2506P	*Cotter Pin 1/8 x 1
3	70302	Tire 13 - 5.00 x 6	16	1623P	Washer 21/32 x 1 - 1/4 x 16 Ga.
4	70301	Rim - Rear	19	6001P	E-Ring
5	65129	Valve Stem	20	71208	Bearing
6	58132	Valve Cap	21	72401	Kingpin - L.H.
7	3395P	*Bolt, Hex 5/16 - 18 x 1 - 5/8 Gr. 5	22	72400	Kingpin - R.H.
8	553P	*Locknut, Gripco 5/16 - 18 UNC Gr. B	23	72358	Tie Bar
9	1617P	Washer 25/32 x 1 - 1/4 x 16 Ga.	24	58855	Bolt, Shoulder - Special 5/16 - 24
10	67703	Chain Adjuster	25	582P	Locknut, Hex with Washer Insert 5/16 - 24 UNF
11	6067P	*Bolt, Hex with Sems Lockwasher 5/16 - 18 x 1	26	72359	Steering Plate
12	72382	Bearing Cup	27	3393P	Screw, Thread Rolling 5/16 - 18 x 1/2
13	62348	Bearing	28	1830P	Washer 21/32 x 1 x 21 Ga.
15	2112J	Differential Assembly	29	67350	Wheel and Tire Assembly 11.00 x 4.00 (Inc. Key No. 30)
			30	64906	Bearing

\*STANDARD HARDWARE-PURCHASE LOCALLY

### REPAIR PARTS

32" REAR ENGINE RIDING LAWN MOWER—MODEL NUMBER K8327CR

MOWER



### REPAIR PARTS

32" REAR ENGINE RIDING LAWN MOWER—MODEL NUMBER K8327CR

MOWER

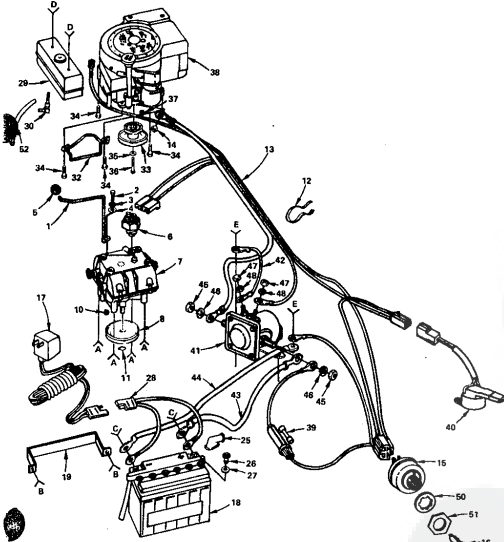
KEY NO.	PART NO.	DESCRIPTION	KEY NO.	PART NO.	DESCRIPTION
1	74212	V Belt	21	1622P	Washer, 13/32 x 7/8 x 7 Ga.
2	78293	Housing with Silk Screening	23	71596	Discharge Guard
3	76382	Decal - Cutter Head	24	70P	*Bolt, Carriage 1/4 - 20 x 3/4 Gr. 5
4	79521	Housing Lifter - R.H.	26	5699P	Locknut, Gripco 1/4 - 20 UNC
5	74552	Housing Lifter - L.H.	28	75485	Decal - Discharge Guard
6	67P	*Bolt, Carriage 5/16 - 18 x 3/4 Gr. 5	27	67405	Blank
7	588P	Locknut, Nylon 5/16 - 18 UNC	28	6062P	Screw, Hex Machine w/Sems Lockwasher
8	74553	Strip	29	1631P	Nylon Patch 3/8 - 24 x 7/8 Gr. 5
9	5880B	Bolt, Shoulder - Special	30	88107	Washer 1/2 x 2 - 3/8 x 10 Ga.
10	50806	Washer 1 1/2 x 3/4 x 16 Ga.	31	5021P	Brake Assembly
11	71033	Jackshaft Assembly - Driver	32	67398	*Bolt, Hex 3/8 - 16 x 3/4
12	69522	Jackshaft Assembly - Driver	33	74548	V-Bolt
13	545P	Locknut, Gripco 3/8 - 16 UNC	34	74548	Skid - R.H.
14	67400	Idler Pulley	35	74550	Mower Support
15	6066P	Bolt, Hex with Sems Lockwasher 3/8 - 16 x 1 - 1/2	36	189P	*Bolt, Carriage 3/8 - 16 x 3/4
17	67401	Spring	37	67404	Bolt Snubber
18	67299	Idler Arm	38	6052P	Screw, Hex Head with Sems Lockwasher 5/16 - 18 x 3/4
19	62361	Bolt, Shoulder - Special	39	553P	Locknut, Gripco 5/16 - 18 UNC
20	67356	Washer - Special			

STANDARD HARDWARE—PURCHASE LOCALLY

### REPAIR PARTS

32" REAR ENGINE RIDING LAWN MOWER—MODEL NUMBER K8327CR

ELECTRICAL

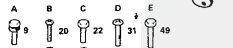


### REPAIR PARTS

32" REAR ENGINE RIDING LAWN MOWER—MODEL NUMBER K8327CR

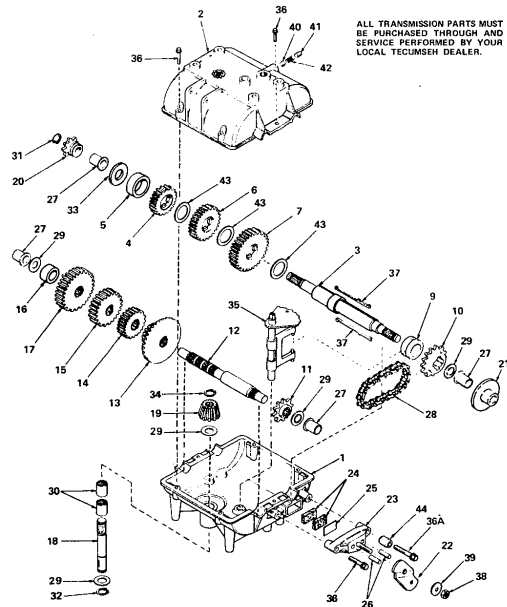
ELECTRICAL

KEY NO.	PART NO.	DESCRIPTION	KEY NO.	PART NO.	DESCRIPTION
1	75266	Shift Lever	28	600J	Charger Plug Assembly
2	3389P	Bolt, Hex 1/4 - 28 x 1/2 Gr. 5	29	742J	Fuel Tank
3	1600P	Lockwasher 1/4	30	739J	Fuel Tank Elbow
4	1507P	Washer 3/32 x 3/4 x 16 Ga.	31	3358P	Screw, Truss Hd, Phillips 1/4 - 20 x 5/8
5	55882	Knob	32	677A201	Belt Keeper Assembly
6	74525	Switch - Transmission	33	2186J	Engine Pulley
7	794212A	Transmission Assembly (719A)	34	6608P	Screw, Hex Hd, Twd, Rolling
8	72541	Pulley - Transmission	35	1634P	Washer 3/8 x 1 - 1/4 x 7 Ga.
9	6069P	Bolt w/Sems Lockwasher 5/16 - 18 x 5/8	36	6070P	Screw, Hex Hd, w/Sems Lockwasher 3/8 - 24 x 1 - 3/8 Nylon Patch Gr. 5
10	58349	Key, Woodruff No. 9	37	65053	Key, Woodruff No. 6
11	65302	Retaining Ring	38	191705	Engine, 8 H.P. Briggs & Stratton Type No. 6547-01
12	43174	Wax Tie	39	6347R	Fuse - 30 Amp.
13	2081J	Wire Harness	40	2083J	Safety Switch
14	53496	Locknut 1/4 - 20	41	7754R	Solenoid
15	4406H	Ignition Switch	42	8027R	Wire, Solenoid Ground
16	7552H	Key	43	686J	Cable Assembly (Battery to Solenoid)
17	71903	Battery Charger	44	2086J	Cable Assembly (Battery to Ground)
18	70451	Battery Pack	45	889P	Nut, Hex 5/16 - 24 UNF
19	72708	Battery Strap	46	1007P	Lockwasher 5/16
20	3337P	Screw, Truss Hd, Phillips 1/4 - 20 x 1/2	47	549P	Nut, Hex No. 10 - 32
21	588P	Locknut, 1/4 - 20 UNC w/Washer Inset	48	1006P	Lockwasher No. 10
22	3114P	Screw, Hex Head 1/4 - 20 x 1/2 (Furnished w/Battery Pack)	49	3003P	Bolt, Hex 1/4 - 20 x 3/4
23	503P	Hex Nut 1/4 - 20	50	67758	Lockwasher, Internal Tooth 5/8
24	716J	Terminal Boot	51	67759	Nut 5/8 - 32 UNF
25	2233J	Cap - Battery	52	2316J	Fuel Line
26	2224J	Gasket - Battery			



### REPAIR PARTS

32" REAR ENGINE RIDING LAWN MOWER-MODEL NUMBER K8327CR  
TRANSMISSION MODEL NUMBER 719A



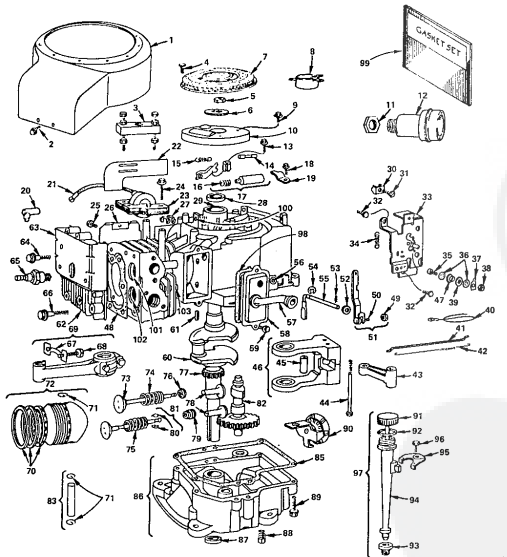
### REPAIR PARTS

32" REAR ENGINE RIDING LAWN MOWER-MODEL NUMBER K8327CR  
TRANSMISSION MODEL NUMBER 719A

KEY NO.	PART NO.	DESCRIPTION	KEY NO.	PART NO.	DESCRIPTION
1	794212A	Complete Transmission (719A)	25	790007	Plate, Brake pad
2	770081	Case, Transmission	26	780026	Pin, Dowel
3	772070	Cover, Transmission	27	780105	Bushing, Flanged
4	778162	Shaft, Output and Brake	28	780081	Chain, Roller (No. 41 chain, 24 links)
5	778121	Gear, Spur (25 teeth)	29	790072	Race, Thrust
6	786072	Spacer	30	780106	Bearing, Needle
7	778123	Gear, Spur (25 teeth)	31	792077	Ring, Retaining
8	778124	Gear, Spur (30 teeth)	32	792035	Ring, Retaining
9	784266	Collar, Shift	33	780109	Washer
10	786083	Sprocket (18 teeth)	34	788040	Ring, Retaining
11	786082	Sprocket (9 teeth)	35	784270	Rod & Fork Asy., Shift
12	778154	Shaft, Counter	36	792075	Screw, Hex hd. 1/8" dia., 1/4" x 1 - 1/4"
13	778109	Gear, Bevel (42 tooth and 15 tooth spur gear)	36A	792085	Screw, Hex hd. 1/8" dia., 1/4" x 2 - 1/4"
14	778126	Gear, Spur (20 teeth)	37	792089A	Key
15	778127	Gear, Spur (25 teeth)	38	792035	Nut, 5/16" - 24 lock
16	786071	Spacer	39	792076	Washer, Flat, 5/16"
17	778129	Gear, Spur (30 teeth)	40	792077	Ball, Steel, 5/16"
18	778135	Shaft, Input	41	792078	Screw, Set, 3/8" - 16 x 3/8
19	778113	Bevel pinion, input	42	792079	Spring
20	786047	Sprocket (8 teeth)	43	780108	Washer, Thrust
21	790003	Brake	44	780067	Spacer
22	790004	Lever, Brake			
23	790005	Hydrol. Brake pad			
24	790006	Pad, Brake			

### REPAIR PARTS

32" REAR ENGINE RIDING LAWN MOWER-MODEL NUMBER K8327CR  
BRIGGS & STRATTON 8 H.P. ENGINE-MODEL NO. 191705, TYPE NO. 5647-01  
CYLINDER, CRANKSHAFT AND ENGINE BASE GROUP



### REPAIR PARTS

32" REAR ENGINE RIDING LAWN MOWER-MODEL NUMBER K8327CR  
BRIGGS & STRATTON 8 H.P. ENGINE-MODEL NO. 191705, TYPE NO. 5647-01  
CYLINDER, CRANKSHAFT AND ENGINE BASE GROUP

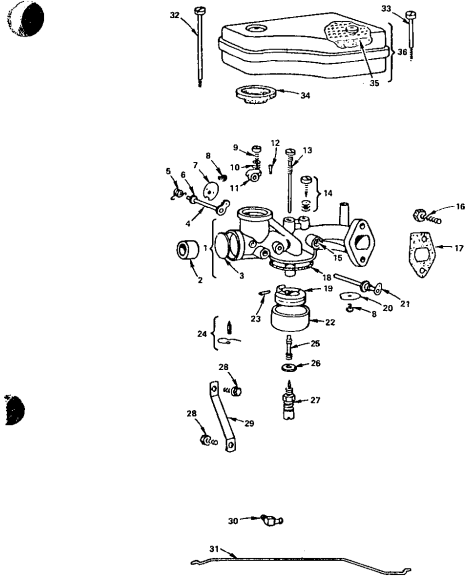
KEY NO.	PART NO.	DESCRIPTION	KEY NO.	PART NO.	DESCRIPTION
1	391379	Housing - Blower	61	61750	Key - Flywheel
2	93159	Screw - Sam	62	212286	Cylinder Head
3	19165	Puller - Flywheel	63	222636	Cover - Cylinder Head
4	83805	Screw - Sam	64	92211	Screw - 2" x 1/2"
5	92284	Nut - Flywheel	65	293918	Spark Plug Resistor
6	220655	Washer - Spring	66	92723	Screw - 3"
7	222562	Screen - Flush Rotating	67	222114	Lock - Connecting Rod Screw
8	222581	Cup - Screen Mtg	68	90553	Rod - Connecting Rod
9	93702	Locknut - Muffler	69	904602	Rod Asy., Connecting (Inc. Key No's 67 & 68)
10	222117	Cover - Breaker Point	70	391669	RING SET - PISTON, Std.
11	91242	Locknut - Muffler	391670		.010 Oversize
12	933010	Muffler - Exhaust	391671		.020 Oversize
13	83381	Screw - Breaker Arm	391672		.030 Oversize
14	85704	Plunger - Breaker Point	71	68546	Lock - Piston Pin
15	26016	Spring - Breaker Arm	72	391613	Piston Asy., Inc. Key No's 70 & 71
16	260374	Spring - Connector	391674		.010 Oversize
17	294628	Breaker Points & Condenser (Inc. Key No's 15 & 16)	391675		.020 Oversize
18	93042	Screw - Sam	391676		.030 Oversize
19	220477	Clamp - Condenser	73	261055	Intake Valve
20	69538	Elbow - Spark Plug	74	69596	Spring - Intake Valve
21	221798	Terminal - Ignition Cable	75	26828	Spring - Exhaust Valve
22	221760	Guide - As	76	221895	Retainer - Intake Valve
23	298968	Armature Asy.	77	261195	Gear - Timing
24	93381	Screw - Armature	78	260933	Tapet - Valve
25	93163	Screw - Sam	79	292260	Rotocoll - Exhaust Valve
26	222830	Shield - Cylinder	80	90330	Retainer - Exhaust Valve
27	221907	Clip - Wire	81	393419	Exhaust Valve (Inc. Key No. 80)
28	294606	Oil Seal	82	211689	Gear - Cam
29	393675	Cylinder Assembly	83	295640	Pin Asy., Piston (Inc. 2 each Key No. 71)
30	221535	Clamp - Casing	85	295641	Pin Asy., Piston, .005 Oversize
31	93496	Screw - Sam	86	27750	*Gasket - Crankcase Cover - 1/64" thick
32	82572	Plate - Governor Control	27876		Gasket - Crankcase Cover - .006" thick
33	390662	Spring - Governor	27877		Gasket - Crankcase Cover - .008" thick
34	261506	Screw - Terminal	86	298616	Oil Sump (Inc. Key No's 85 and 87)
35	91920	Screw - Terminal	87	298423	Oil Seal
36	92791	Lockwasher	88	01084	Plug - Oil Drain
37	93722	Terminal - Spade	89	93385	Screw - Sam
38	90576	Hex Nut No. 8 - 32	90	932718	Oil Slinger - Governor
39	96068	Washer - Insulating	91	391840	Cap & Dipstick - Oil Filter
40	299500	Wire - Ground	92	210920	Seal - Filler Cap
41	260871	Link - Governor	93	68838	Seal - Filler Tube
42	280584	Spring - Governor Link	94	260133	Tube - Oil Filter
43	212359	Link - Counterweight	95	222502	Clamp - Oil Filter Tube
44	59874	Pin - Counterweight	96	93304	Screw - Clamp Mtg.
45	298909	Counterweight Asy.	97	302086	Filter Group - Oil (Inc. Key No's 91, 92, 93, 94, 95 & 96)
46	390172	Collar - Insulating	98	27803	*Gasket - Valve Cover
47	66554	Collar - Insulating	99	298977	Gasket Set
48	270430	*Gasket - Cylinder Head	100	29512	Bushing - Plunger
49	231062	Hex Nut No. 10 - 24	101	211681	Seat - Intake Valve (Std.)
50	92613	Bolt - Governor Lever	102	211661	Seat - Exhaust Valve (Std.)
51	391733	Lever Asy., Governor (Inc. Key No's 49 & 50)	103	230856	Guide - Exhaust Valve
52	222450	Washer - Governor Lever			
53	93306	Dotter - Hair Pin			
54	93307	Retainer - E-Ring			
55	211058	Crank - Governor			
56	231055	Bushing - Governor Crank			
57	260005	Breather Tube			
58	391408	Breather Asy.			
59	93536	Sims Screw			
60	391757	Crankshaft			

\*INCLUDED IN GASKET SET 299577  
SPARK ARRESTER ASSEMBLY (OPTIONAL)  
Spark Arrester  
22537  
Deflector  
93705 Screw (4 required)



### REPAIR PARTS

32" REAR ENGINE RIDING LAWN MOWER - MODEL NUMBER K8327CR  
BRIGGS & STRATTON 8 H.P. ENGINE - MODEL NO. 191705, TYPE NO. 5647-01  
CARBURETOR NUMBER 390811



ALL ENGINE PARTS MUST BE PURCHASED THROUGH AND SERVICE PERFORMED BY YOUR LOCAL BRIGGS AND STRATTON DEALER.

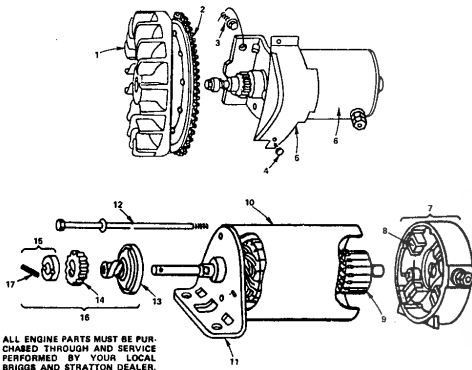
### REPAIR PARTS

32" REAR ENGINE RIDING LAWN MOWER - MODEL NUMBER K8327CR  
BRIGGS & STRATTON 8 H.P. ENGINE - MODEL NO. 191705, TYPE NO. 5647-01  
CARBURETOR NUMBER 390811

KEY NO.	PART NO.	DESCRIPTION	KEY NO.	PART NO.	DESCRIPTION
1	299851	Body Ass'y. (Includes Key No. 3)	21	391512	Shaft & Lever - Throttle
2	211682	Venturi - Carburetor	22	221995	Bowl - Float
3	221997	*Plug - Wash	23	220886	*Pin - Float Hinge
4	350584	Shaft and Lever - Choke	24	290906	*Valve - Fuel Inlet
5	261116	Spring - Choke Return	25	230952	*Screw - Nozzle
6	270382	Washer - Choke Shaft	26	222014	*Washer - Float Bowl
7	222010	Valve - Choke	27	391233	*Valve - Nozzle
8	93499	Screw - Sem	28	93679	Screw
9	91920	Screw - Fil. Hd. Maph. No. B - 32 x 5/8	29	222027	Bracket - Carburetor
10	26157	Spring - Throttle Adjustment	30	61218	Connector - Fuel Pipe
11	211712	Stop - Throttle	31	261117	Link - Choke
12	93643	Pin - Throttle Stop	32	93323	Screw - Air Cleaner
13	259460	*Nozzle - Carburetor	33	93022	Screw - Air Cleaner
14	292681	*Valve Ass'y. - Carb. Idle	34	270539	Gasket - Air Cleaner
15	23108	Bushing - Throttle Shaft	35	270536	Element - Air Cleaner
16	93357	Screw - Carburetor Mfg.	36	391593	Air Cleaner Ass'y. (Inc. Key No 35)
17	270824	*Gasket - Carburetor Mfg.		299852	Carburetor Overhaul Kit (Inc. Parts Marked *)
18	270511	*Gasket - Float Bowl	390811		Carburetor Assembly
19	289107	Float - Carburetor			
20	221985	Valve - Throttle			

### REPAIR PARTS

32" REAR ENGINE RIDING LAWN MOWER - MODEL NUMBER K8327CR  
BRIGGS & STRATTON 8 H.P. ENGINE - MODEL NO. 191705, TYPE NO. 5647-01  
FLYWHEEL AND STARTER MOTOR GROUP

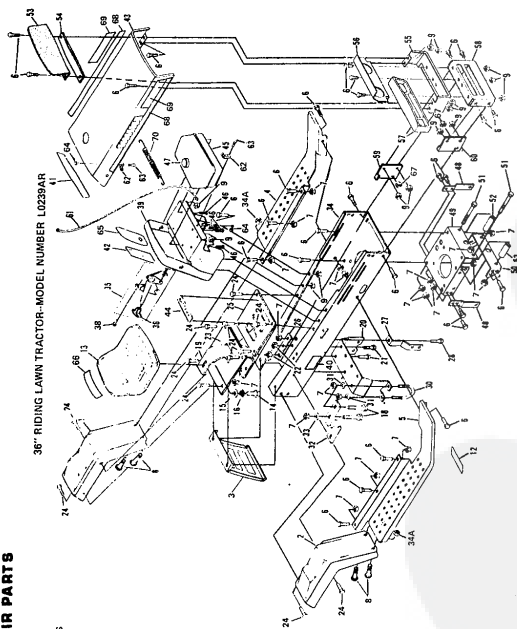


ALL ENGINE PARTS MUST BE PURCHASED THROUGH AND SERVICE PERFORMED BY YOUR LOCAL BRIGGS AND STRATTON DEALER.

KEY NO.	PART NO.	DESCRIPTION
1	392034	Flywheel and Ring Gear Ass'y.
2	392134	Gear - Ring
3	93823	Screw - Sem
4	93410	Screw - Sem
5	390233	Cover & Shield - Starter
6	392749	Motor, Starter (Inc. Key No's. 7 thru 17)
7	390846	End Cap Ass'y. Commutator (Inc. Key No. 8)
8	391705	Brush Ass'y.
9	392747	Armature Ass'y.
10	392744	Housing Ass'y.
11	392061	End Cap Ass'y. Drive
12	391706	Thru Bolt Ass'y.
13	391136	Clutch Ass'y.
14	280104	Gear
15	391462	Retainer & Pin (Inc. Key No. 17)
16	391461	Drive Ass'y. (Inc. Key No's. 13, 14 & 15)
17	93754	Roll Pin

**REPAIR PARTS**

CHASSIS



36" RIDING LAWN TRACTOR—MODEL NUMBER L0238AR

**REPAIR PARTS**

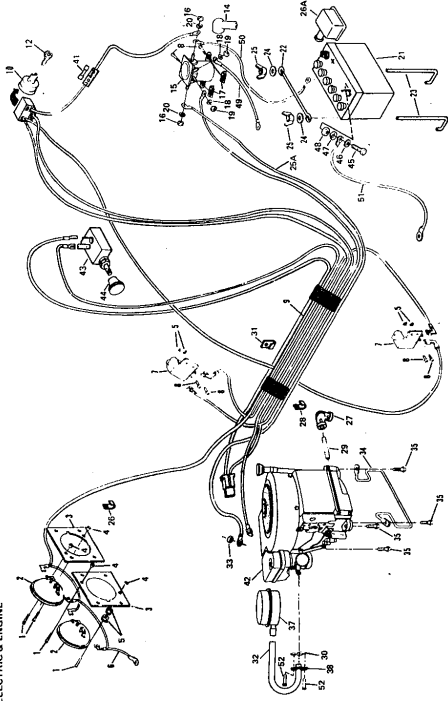
CHASSIS

KEY NO.	PART NO.	DESCRIPTION
2	200J	Fender, L. H.
3	1388J	Rear Cover, L.H.
4	1389J	Rear Cover, R.H.
5	1540J	Foot Rest, R.H.
6	2010P	Seat, Hex Head 5/16 - 18 x 3/4
7	2010P	Seat, Hex Head 5/16 - 18 x 1/2
8	2008P	Seat, Hex Head 5/16 - 18 x 1/2
9	2009P	Seat, Hex Head 5/16 - 18 x 1/2
10	2011P	Seat, Hex Head 5/16 - 18 x 1/2
11	2012P	Seat, Hex Head 5/16 - 18 x 1/2
12	2013P	Seat, Hex Head 5/16 - 18 x 1/2
13	1695J	Seat, Hex Head 1/2 - 13 x 1
14	1696J	Seat, Hex Head 1/2 - 13 x 1
15	1697J	Seat, Hex Head 1/2 - 13 x 1
16	1698J	Seat, Hex Head 1/2 - 13 x 1
17	1699J	Seat, Hex Head 1/2 - 13 x 1
18	2012P	Seat, Hex Head 5/16 - 18 x 1, 1/4 G. 5
19	2013P	Seat, Hex Head 5/16 - 18 x 1, 1/4 G. 5
20	2014P	Seat, Hex Head 5/16 - 18 x 1, 1/4 G. 5
21	2015P	Seat, Hex Head 5/16 - 18 x 1, 1/4 G. 5
22	2016P	Seat, Hex Head 5/16 - 18 x 1, 1/4 G. 5
23	1790J	Seat, Hex Head 5/16 - 18 x 1, 1/4 G. 5
24	5712P	Seat, Hex Head 5/16 - 18 x 1, 1/4 G. 5
25	671A3	Chassis Cover
26	21188	Anti-Slip Strip
27	21188	Anti-Slip Strip
28	21188	Anti-Slip Strip
29	21188	Anti-Slip Strip
30	21188	Anti-Slip Strip
31	1809P	Washer, 3/16 x 3/4 x 11 G.
32	1809P	Washer, 3/16 x 3/4 x 11 G.
33	1610P	Washer, 3/8 x 1 - 1/4 x 6 G.
34	2352P	Knop Jam Nut 5/16 - 18 UNC
35	1544J	Rear Cover, L.H.
36	1545J	Rear Cover, R.H.
37	1546J	Foot Rest, R.H.
38	1547J	Foot Rest, L.H.
39	1548J	Foot Rest, L.H.
40	1549J	Foot Rest, L.H.
41	651J	Decal - Dash, Instructions
42	652J	Decal - Dash, Instructions
43	7150J	Hood Assembly
44	7430J	Battery Cap
45	7431J	Battery Cap
46	6547P	Screw, Thin, Cutting 1/4 - 20 x 3/4
47	71155	Bracket, Hood
48	71155	Bracket, Hood
49	1839J	Engine Base
50	1840J	Engine Base
51	2271P	"Bolt, Hex Head 5/16 - 18 x 2 - 3/4
52	71913	Hood Insert
53	2054J	Bracket, Hood
54	2054J	Bracket, Hood
55	71915	Headlight Support
56	71915	Headlight Support
57	2002J	Grill Panel, L.H.
58	2002J	Grill Panel, R.H.
59	2002J	Grill Panel, L.H.
60	2002J	Grill Panel, R.H.
61	2002J	Grill Panel, L.H.
62	2002J	Grill Panel, R.H.
63	2002P	Grill Panel, L.H.
64	2002P	Grill Panel, R.H.
65	2002P	Grill Panel, L.H.
66	2002P	Grill Panel, R.H.
67	2002P	Grill Panel, L.H.
68	2002P	Grill Panel, R.H.
69	2002P	Grill Panel, L.H.
70	2002P	Grill Panel, R.H.
71	2002P	Grill Panel, L.H.
72	2002P	Grill Panel, R.H.

\*STANDARD HARDWARE—PURCHASE LOCALLY

**REPAIR PARTS**

ELECTRIC & ENGINE



36" RIDING LAWN TRACTOR—MODEL NUMBER L0238AR

**REPAIR PARTS**

ELECTRIC & ENGINE

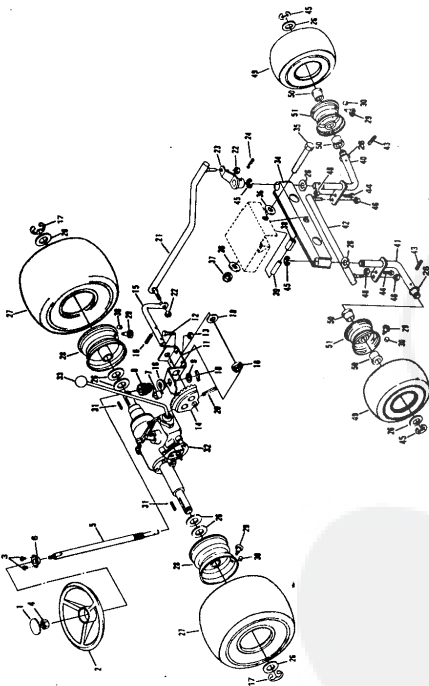
KEY NO.	PART NO.	DESCRIPTION
1	3228P	Screw, Machine Truss Head
2	6452R	Headlight Support
3	7307S	Headlight Support
4	581P	Nut, Knop No. 10 - 24 UNC
5	581P	Nut, Knop No. 10 - 24 UNC
6	7145P	Screw, Machine Phillips Head
7	3356P	Screw, Machine Phillips Head
8	3356P	Screw, Machine Phillips Head
9	1797J	Ignition Switch (Inc. Ref. No. 12)
10	6558R	Terminal Cover
11	6558R	Terminal Cover
12	7191A	Terminal Cover
13	5384P	"Nut, Hex Jam 5/16 - 24 UNF
14	5384P	"Nut, Hex Jam 5/16 - 24 UNF
15	1008P	"Nut, Hex No. 10 - 32 UNF
16	1008P	"Nut, Hex No. 10 - 32 UNF
17	543P	Battery Bolt
18	543P	Battery Bolt
19	2281	Battery Bolt
20	2281	Battery Bolt
21	2281	Battery Bolt
22	2281	Battery Bolt
23	2281	Battery Bolt
24	2281	Battery Bolt
25	2281	Battery Bolt
26	2281	Battery Bolt
27	2281	Battery Bolt
28	2281	Battery Bolt
29	2281	Battery Bolt
30	2281	Battery Bolt
31	2281	Battery Bolt
32	2281	Battery Bolt
33	2281	Battery Bolt
34	2281	Battery Bolt
35	2281	Battery Bolt
36	2281	Battery Bolt
37	677A88	Washer, 3/8 x 1 - 1/4 x 6 G.
38	677A88	Washer, 3/8 x 1 - 1/4 x 6 G.
39	677A88	Washer, 3/8 x 1 - 1/4 x 6 G.
40	677A88	Washer, 3/8 x 1 - 1/4 x 6 G.
41	677A88	Washer, 3/8 x 1 - 1/4 x 6 G.
42	22707	Light Switch
43	7789R	Engine, Briggs and Stratton 10 H.P.
44	2008J	Knob, Light Switch 24
45	1506P	"Washer, 9/32 x 2 1/8 x 1 1/8 G.
46	1506P	"Washer, 9/32 x 2 1/8 x 1 1/8 G.
47	1506P	"Washer, 9/32 x 2 1/8 x 1 1/8 G.
48	1506P	"Washer, 9/32 x 2 1/8 x 1 1/8 G.
49	1506P	"Washer, 9/32 x 2 1/8 x 1 1/8 G.
50	5277	Meter, Oil Pressure
51	5277	Meter, Oil Pressure
52	2115J	Washer, 3/8 x 1 - 1/4 x 6 G.
53	2115J	Washer, 3/8 x 1 - 1/4 x 6 G.
54	2115J	Washer, 3/8 x 1 - 1/4 x 6 G.
55	2115J	Washer, 3/8 x 1 - 1/4 x 6 G.
56	2115J	Washer, 3/8 x 1 - 1/4 x 6 G.
57	2115J	Washer, 3/8 x 1 - 1/4 x 6 G.
58	2115J	Washer, 3/8 x 1 - 1/4 x 6 G.
59	2115J	Washer, 3/8 x 1 - 1/4 x 6 G.
60	2115J	Washer, 3/8 x 1 - 1/4 x 6 G.
61	2115J	Washer, 3/8 x 1 - 1/4 x 6 G.
62	2115J	Washer, 3/8 x 1 - 1/4 x 6 G.
63	2115J	Washer, 3/8 x 1 - 1/4 x 6 G.
64	2115J	Washer, 3/8 x 1 - 1/4 x 6 G.
65	2115J	Washer, 3/8 x 1 - 1/4 x 6 G.
66	2115J	Washer, 3/8 x 1 - 1/4 x 6 G.
67	2115J	Washer, 3/8 x 1 - 1/4 x 6 G.
68	2115J	Washer, 3/8 x 1 - 1/4 x 6 G.
69	2115J	Washer, 3/8 x 1 - 1/4 x 6 G.
70	2115J	Washer, 3/8 x 1 - 1/4 x 6 G.
71	2115J	Washer, 3/8 x 1 - 1/4 x 6 G.
72	2115J	Washer, 3/8 x 1 - 1/4 x 6 G.

\*STANDARD HARDWARE—PURCHASE LOCALLY

OPTIONAL EQUIPMENT  
Spark Arrestor Muller LA248R

**REPAIR PARTS**

**STEERING AND WHEELS**



38" RIDING LAWN TRACTOR-MODEL NUMBER L0289AR

**REPAIR PARTS**

**STEERING AND WHEELS**

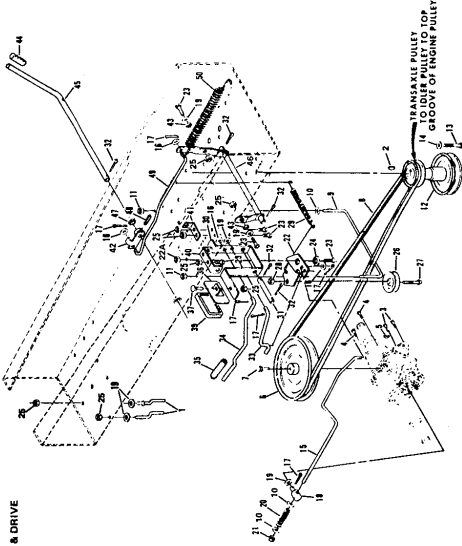
KEY NO.	PART NO.	DESCRIPTION
1	1114J	Steering Wheel Inset
2	506J	Steering Wheel, 9 1/2" Metal Screw
3	5014P	Hub, 1 1/2" Top All Ball
4	794191A	Transaxle Assembly Model 143.058A
5	1585J	Nut, Hex 5/16" x 1 1/2" UNF
6	1585J	Bushing
7	1585J	Pinion Gear
8	74881	Pinion Gear, 1 1/2" x 1 1/2" x 1 1/2" Ga.
9	74881	Steering Bracket, 1 1/2" x 1 1/2" x 3/4"
10	52379	Steering Pin, 3/16" x 18" x 3/4"
11	74577	Steering Bracket, 1 1/2" x 1 1/2" x 1 1/2" Ga.
12	74577	Steering Bracket, 1 1/2" x 1 1/2" x 1 1/2" Ga.
13	575P	Nut, Lock 5/16" - 18 UNC
14	1818P	Steering Rod
15	1326J	Steering Rod
16	71208	Bushing
17	71208	Bushing
18	73446	Washer, 21/32" x 1 1/4 x 13 Ga.
19	73446	Washer, 21/32" x 1 1/4 x 13 Ga.
20	73446	Washer, 21/32" x 1 1/4 x 13 Ga.
21	71219	Drag Link, 3/8" Dia. 24 UNF
22	71219	Drag Link, 3/8" Dia. 24 UNF
23	71185	Steering Arm Assembly
24	5527P	Washer, 7/32" x 1 1/4 x 16 Ga.
25	5527P	Washer, 7/32" x 1 1/4 x 16 Ga.
26	5527P	Washer, 7/32" x 1 1/4 x 16 Ga.
27	71652	Tire (18.00" 8.00" x 8)
28	71652	Tire

\* STANDARD HARDWARE - PURCHASE LOCALLY

**REPAIR PARTS**

**CLUTCH-BRAKE & DRIVE**

38" RIDING LAWN TRACTOR-MODEL NUMBER L0289AR



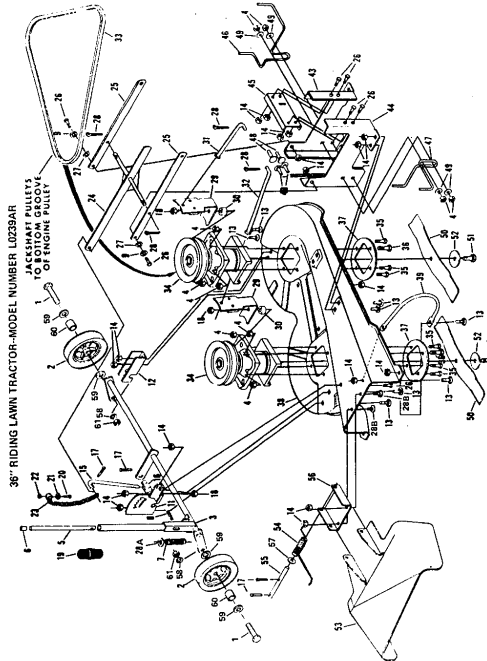
**REPAIR PARTS**

**CLUTCH-BRAKE & DRIVE**

KEY NO.	PART NO.	DESCRIPTION
1	71200	Belt Guide
2	6503J	Key, Woodruff No. 6
3	6059P	Screw, Hex Head w/Washer 5/16" x 1 1/2" UNF
4	6059P	Screw, Hex Head w/Washer 5/16" x 1 1/2" UNF
5	52659	Key, Woodruff No. 6
6	6059P	Screw, Machine w/Washer 1/4" x 3/4" x 5
7	6059P	Screw, Machine w/Washer 1/4" x 3/4" x 5
8	73794	Nut, Bolt Guide
9	71241	Locknut, 3/8" x 1 1/2" x 16 Ga.
10	545P	Locknut, 3/8" x 1 1/2" x 16 Ga.
11	71222	Sulley, Engine
12	71222	Sulley, Engine
13	71222	Sulley, Engine
14	15189	Bracket, 3/8" x 1 1/4 x 6 Ga.
15	73392	Bracket, 3/8" x 1 1/4 x 6 Ga.
16	73392	Bracket, 3/8" x 1 1/4 x 6 Ga.
17	73392	Bracket, 3/8" x 1 1/4 x 6 Ga.
18	71238	Washer, 3/32" x 2 1/4 x 16 Ga.
19	71238	Washer, 3/32" x 2 1/4 x 16 Ga.
20	71239	Washer, 3/32" x 2 1/4 x 16 Ga.
21	591P	Locknut w/Washer 3/8" x 1 1/2" x 16 Ga.
22	588P	Locknut w/Washer 5/16" - 18 UNC
23	588P	Locknut w/Washer 5/16" - 18 UNC
24	588P	Locknut w/Washer 5/16" - 18 UNC
25	588P	Locknut w/Washer 5/16" - 18 UNC
26	588P	Locknut w/Washer 5/16" - 18 UNC
27	588P	Locknut w/Washer 5/16" - 18 UNC
28	588P	Locknut w/Washer 5/16" - 18 UNC
29	588P	Locknut w/Washer 5/16" - 18 UNC
30	588P	Locknut w/Washer 5/16" - 18 UNC
31	71223	Clutch Pin, 1 3/4 x 1
32	2506P	Clutch Pin, 1 3/4 x 1
33	2506P	Clutch Pin, 1 3/4 x 1
34	372J	Park Brake Rod
35	372J	Park Brake Rod
36	71222	Clutch Pin, 1 3/4 x 1
37	18P	Clutch Pin, 1 3/4 x 1
38	18P	Clutch Pin, 1 3/4 x 1
39	18P	Clutch Pin, 1 3/4 x 1
40	71189	Clutch Pin, 1 3/4 x 1
41	71189	Clutch Pin, 1 3/4 x 1
42	73259	Clutch Pin, 1 3/4 x 1
43	71196	Clutch Pin, 1 3/4 x 1
44	71196	Clutch Pin, 1 3/4 x 1
45	71242	Clutch Pin, 1 3/4 x 1
46	71242	Clutch Pin, 1 3/4 x 1
47	15189	Clutch Pin, 1 3/4 x 1
48	52239	Clutch Pin, 1 3/4 x 1
49	52239	Clutch Pin, 1 3/4 x 1
50	71248	Clutch Pin, 1 3/4 x 1
51	71248	Clutch Pin, 1 3/4 x 1
52	71248	Clutch Pin, 1 3/4 x 1
53	71248	Clutch Pin, 1 3/4 x 1
54	71248	Clutch Pin, 1 3/4 x 1
55	71248	Clutch Pin, 1 3/4 x 1
56	71248	Clutch Pin, 1 3/4 x 1
57	71248	Clutch Pin, 1 3/4 x 1
58	71248	Clutch Pin, 1 3/4 x 1
59	71248	Clutch Pin, 1 3/4 x 1
60	71248	Clutch Pin, 1 3/4 x 1
61	71248	Clutch Pin, 1 3/4 x 1
62	71248	Clutch Pin, 1 3/4 x 1
63	71248	Clutch Pin, 1 3/4 x 1
64	71248	Clutch Pin, 1 3/4 x 1
65	71248	Clutch Pin, 1 3/4 x 1
66	71248	Clutch Pin, 1 3/4 x 1
67	71248	Clutch Pin, 1 3/4 x 1
68	71248	Clutch Pin, 1 3/4 x 1
69	71248	Clutch Pin, 1 3/4 x 1
70	71248	Clutch Pin, 1 3/4 x 1
71	71248	Clutch Pin, 1 3/4 x 1
72	71248	Clutch Pin, 1 3/4 x 1
73	71248	Clutch Pin, 1 3/4 x 1
74	71248	Clutch Pin, 1 3/4 x 1
75	71248	Clutch Pin, 1 3/4 x 1
76	71248	Clutch Pin, 1 3/4 x 1
77	71248	Clutch Pin, 1 3/4 x 1
78	71248	Clutch Pin, 1 3/4 x 1
79	71248	Clutch Pin, 1 3/4 x 1
80	71248	Clutch Pin, 1 3/4 x 1
81	71248	Clutch Pin, 1 3/4 x 1
82	71248	Clutch Pin, 1 3/4 x 1
83	71248	Clutch Pin, 1 3/4 x 1
84	71248	Clutch Pin, 1 3/4 x 1
85	71248	Clutch Pin, 1 3/4 x 1
86	71248	Clutch Pin, 1 3/4 x 1
87	71248	Clutch Pin, 1 3/4 x 1
88	71248	Clutch Pin, 1 3/4 x 1
89	71248	Clutch Pin, 1 3/4 x 1
90	71248	Clutch Pin, 1 3/4 x 1
91	71248	Clutch Pin, 1 3/4 x 1
92	71248	Clutch Pin, 1 3/4 x 1
93	71248	Clutch Pin, 1 3/4 x 1
94	71248	Clutch Pin, 1 3/4 x 1
95	71248	Clutch Pin, 1 3/4 x 1
96	71248	Clutch Pin, 1 3/4 x 1
97	71248	Clutch Pin, 1 3/4 x 1
98	71248	Clutch Pin, 1 3/4 x 1
99	71248	Clutch Pin, 1 3/4 x 1
100	71248	Clutch Pin, 1 3/4 x 1

\* STANDARD HARDWARE - PURCHASE LOCALLY

**REPAIR PARTS**

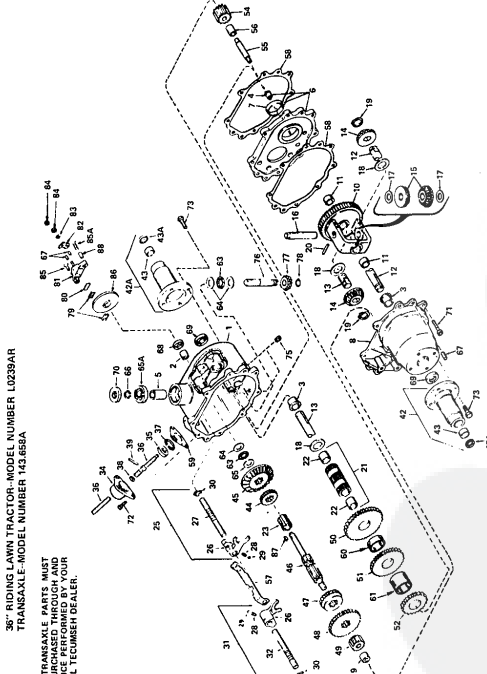


36" RIDING LAWN TRACTOR—MODEL NUMBER L023BAR  
MOWER  
TO BOTTOM GROOVE  
OF ENGINE PULLEY

**REPAIR PARTS**

KEY NO.	PART NO.	DESCRIPTION
1	3199P	Hex Bolt 3/8" x 2 1/4" Gr. 5
2	671A134	Clamp Nut
3	71522	Blade
4	545P	Blade Retainer
5	671A134	Nut, Lock 3/8" - 16 UNC
6	671A181	Cap Level Plunger
7	2505P	Blade Lock
8	1599P	Washer, 1/162 x 3/4 x 16 Ga.
9	1599P	Washer, 1/162 x 3/4 x 16 Ga.
10	71522	Blade
11	71522	Blade
12	71522	Blade
13	71522	Blade
14	71522	Blade
15	71522	Blade
16	71522	Blade
17	71522	Blade
18	71522	Blade
19	71522	Blade
20	71522	Blade
21	71522	Blade
22	71522	Blade
23	71522	Blade
24	71522	Blade
25	71522	Blade
26	71522	Blade
27	71522	Blade
28	71522	Blade
29	71522	Blade
30	71522	Blade
31	71522	Blade
32	71522	Blade
33	71522	Blade
34	71522	Blade
35	71522	Blade
36	71522	Blade
37	71522	Blade
38	71522	Blade
39	71522	Blade
40	71522	Blade
41	71522	Blade
42	71522	Blade
43	71522	Blade
44	71522	Blade
45	71522	Blade
46	71522	Blade
47	71522	Blade
48	71522	Blade
49	71522	Blade
50	71522	Blade
51	71522	Blade
52	71522	Blade
53	71522	Blade
54	71522	Blade
55	71522	Blade
56	71522	Blade
57	71522	Blade
58	71522	Blade
59	71522	Blade
60	71522	Blade
61	71522	Blade

**REPAIR PARTS**



36" RIDING LAWN TRACTOR—MODEL NUMBER L023BAR  
TRANAXLE—MODEL NUMBER 143.658A

**REPAIR PARTS**

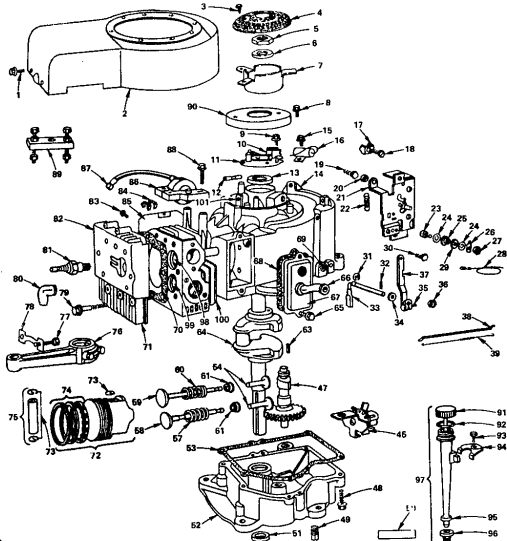
KEY NO.	PART NO.	DESCRIPTION
1	704191A	Complete Transaxle
2	704191A	Case Assy., Transaxle (Inc. No's 1, 2, 3 & 5)
3	704191A	Input Shaft
4	704191A	Output Shaft
5	704191A	Input Gear
6	704191A	Output Gear
7	704191A	Input Gear (Inc. No's 1, 4 & 7)
8	704191A	Output Gear (Inc. No's 1, 3 & 6)
9	704191A	Input Gear (Inc. No. 11)
10	704191A	Output Gear (Inc. No. 11)
11	704191A	Input Gear (Inc. No. 11)
12	704191A	Output Gear (Inc. No. 11)
13	704191A	Input Gear (Inc. No. 11)
14	704191A	Output Gear (Inc. No. 11)
15	704191A	Input Gear (Inc. No. 11)
16	704191A	Output Gear (Inc. No. 11)
17	704191A	Input Gear (Inc. No. 11)
18	704191A	Output Gear (Inc. No. 11)
19	704191A	Input Gear (Inc. No. 11)
20	704191A	Output Gear (Inc. No. 11)
21	704191A	Input Gear (Inc. No. 11)
22	704191A	Output Gear (Inc. No. 11)
23	704191A	Input Gear (Inc. No. 11)
24	704191A	Output Gear (Inc. No. 11)
25	704191A	Input Gear (Inc. No. 11)
26	704191A	Output Gear (Inc. No. 11)
27	704191A	Input Gear (Inc. No. 11)
28	704191A	Output Gear (Inc. No. 11)
29	704191A	Input Gear (Inc. No. 11)
30	704191A	Output Gear (Inc. No. 11)
31	704191A	Input Gear (Inc. No. 11)
32	704191A	Output Gear (Inc. No. 11)
33	704191A	Input Gear (Inc. No. 11)
34	704191A	Output Gear (Inc. No. 11)
35	704191A	Input Gear (Inc. No. 11)
36	704191A	Output Gear (Inc. No. 11)
37	704191A	Input Gear (Inc. No. 11)
38	704191A	Output Gear (Inc. No. 11)
39	704191A	Input Gear (Inc. No. 11)
40	704191A	Output Gear (Inc. No. 11)
41	704191A	Input Gear (Inc. No. 11)
42	704191A	Output Gear (Inc. No. 11)
43	704191A	Input Gear (Inc. No. 11)
44	704191A	Output Gear (Inc. No. 11)

### REPAIR PARTS

36" RIDING LAWN TRACTOR-MODEL NUMBER L0239AR  
BRIGGS & STRATTON 10 H.P. ENGINE-MODEL NO. 220707, TYPE NO. 0134-01

#### CYLINDER, CRANKSHAFT AND ENGINE BASE GROUP

ALL ENGINE PARTS MUST BE PURCHASED THROUGH AND SERVICE PERFORMED BY YOUR LOCAL BRIGGS AND STRATTON DEALER.



### REPAIR PARTS

36" RIDING LAWN TRACTOR-MODEL NUMBER L0239AR  
BRIGGS & STRATTON 10 H.P. ENGINE-MODEL NO. 220707, TYPE NO. 0134-01

#### CYLINDER, CRANKSHAFT AND ENGINE BASE GROUP

KEY NO.	PART NO.	DESCRIPTION	KEY NO.	PART NO.	DESCRIPTION
1	93158	Screw - Blower Housing Mounting Sem	57	26829	Spring - Exhaust Valve
2	381566	Housing - Blower	58	231533	Valve - Exhaust
3	38098	Screw - Sem	59	261452	Valve - Intake
4	227562	Screen - Flush Rotating	60	65206	Spring - Intake Valve
5	92584	Nut - Hex	61	221596	Retainer - Intake Valve
6	229885	Washer - Spring	62	61760	Key - Flywheel
7	225641	Cap - Screw Mounting	63	61760	Crankshaft
8	93014	Screw - Sem	64	261105	Screw - Sem
9	93296	Cap - Screw Mounting	65	260100	Tube - Breather
10	26018	Spring - Breather Arm	67	391406	Breather Assembly
11	591984	Breaker As'y - Ignition (Inc. No. 10)	68	27803	Gasket - Valve Cover
12	65704	Puncher - Breaker Point	69	231055	Bushing - Gov. Crank (1 1/4" I.D.)
13	391085	Seal - Oil	70	271075	Gasket - Cylinder Head
14	393593	Cylinder As'y. (Inc. No. 13)	71	212366	Head - Cylinder
15	93042	Screw - Sem	72	391285	Piston As'y. - Standard (Inc. No.'s. 73 & 74)
16	391782	Condenser	73	391287	Piston As'y. - 010" O.S.
17	221535	Clamp - Gaining	74	391288	Piston As'y. - 020" O.S.
18	93496	Screw - Sem	75	391289	Piston As'y. - 030" O.S.
19	93688	Screw - Control Bracket Mounting	76	260924	Lock - Piston Pin
20	231038	Screw - Control Bracket Mounting	77	391290	Ring Set - Piston - Std.
21	390662	Plate - Gov. Control	78	391781	Ring Set - Piston - 010" O.S.
22	261306	Spring - Governor	79	391782	Ring Set - Piston - 020" O.S.
23	91920	Screw - Terminating	80	391783	Ring Set - Piston - 030" O.S.
24	92591	Washer - Lock - Shakeproof	81	299951	Pin As'y. - Piston - Std. (Inc. No. 73)
25	66554	Collar - Insulating	82	391286	Pin As'y. - Piston - 005" O.S.
26	93722	Terminal - Spade	83	66560	Lock - Conn. Rod Screw
27	90576	Nut - Hex B - 32	84	92920	Screw - Conn. Rod
28	391802	Wire - Ground	85	222259	Lock - Conn. Rod Screw
29	66088	Washer - Insulating	86	93723	NOTE: 33181 Stud - Cylinder Head
30	93572	Retainer - E-Ring	87	22865	Washer
31	83307	Retainer - E-Ring	88	66538	Elbow - Spark Plug
32	83266	Collar - Main Pin	89	239318	Plug - Spark (1 - 1/2" High - 37 - 42 MM)
33	231058	Crank - Governor (1/4" Dia.)	90	222725	NOTE: Spark Plug use Ignition Cable
34	222450	Washer - Gov. Crank (1 1/4" I.D.)	91	222726	Terminal - Spade
35	92613	Ball - Governor Lever	92	222727	Cover - Cylinder Head
36	231082	Nut - Hex 10 - 24	93	222728	Screw - Cylinder Head Mtg. Sem
37	391723	Link - Governor	94	222729	Screw - Cylinder Head Mtg. Sem
38	261198	Level As'y. - Governor (for 1/4" Dia. Crank) (Inc. No.'s. 35 & 36)	95	222730	NOTE: Spark Plug use Ignition Cable
39	261197	Spring - Governor Link	96	222731	Clip - Wire
40	391764	Oil Slinger - Gov. Gear & Bracket As'y.	97	222732	Screw - Cylinder
41	212796	Gear - Cam	98	298968	Armature As'y.
42	93586	Screw - Sump Mounting Sem	99	10290	Terminal - Ignition Cable
43	91084	Plug - Oil Drain	100	63381	Screw - Armature Mounting Sem
44	393411	Gasket - Seal	101	61760	Filler - Flywheel
45	291975	Seal - Oil	102	222309	Cover - Breaker Point
46	391784	Sump - Oil (Inc. No.'s. 51 & 53)	103	391841	Cap and Dipstick - Oil Filler
47	270828	*Gasket - Crankcase Cover - 1/64" Thick	104	270920	Seal - Filler Cap
48	270916	*Gasket - Crankcase Cover - 0/65" Thick	105	93604	Screw - Clamp Mtg.
49	270916	*Gasket - Crankcase Cover - 0/65" Thick	106	222502	Clamp - Oil Filler Tube
50	270916	*Gasket - Crankcase Cover - 0/65" Thick	107	93610	Tube - Oil Filler
51	261193	Tappet - Valve	108	66838	Seal - Filler Tube
52	261193	Tappet - Valve	109	392057	Filler Group - Oil
53	261193	Tappet - Valve	110	261463	Intake Valve Seat
54	261193	Tappet - Valve	111	215681	Exhaust Valve Seat
55	261193	Tappet - Valve	112	230881	Exhaust Valve Stem Guide
56	261193	Tappet - Valve	113	23513	Puncher - Bushing

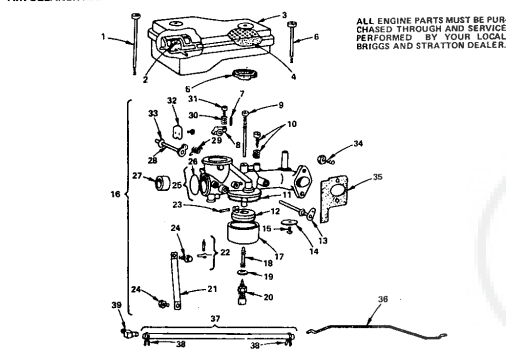
\*STANDARD HARDWARE-PURCHASE LOCALLY

### REPAIR PARTS

36" RIDING LAWN TRACTOR-MODEL NUMBER L0239AR  
BRIGGS & STRATTON 10 H.P. ENGINE-MODEL NO. 220707, TYPE NO. 0134-01

#### AIR CLEANER AND CARBURETOR

ALL ENGINE PARTS MUST BE PURCHASED THROUGH AND SERVICE PERFORMED BY YOUR LOCAL BRIGGS AND STRATTON DEALER.



KEY NO.	PART NO.	DESCRIPTION	KEY NO.	PART NO.	DESCRIPTION
1	93323	Screw - Air Cleaner	24	93572	Screw
2	260118	Support - Air Cleaner Element	25	291787	Body As'y. - Carburetor (Inc. No. 26)
3	391786	Cleaner As'y. - Air (Inc. No.'s. 2 & 4)	26	221997	*Plug - Wash
4	270843	Element - Air Cleaner	27	211960	Venturi - Carburetor
5	270853	Gasket - Air Cleaner	28	360584	Shaft & Lever - Choke
6	93822	Screw - Air Cleaner	29	261116	Spring - Choke Return
7	93943	Pin - Throttle Stop	30	26157	Spring - Throttle Adjustment
8	211712	Stop - Throttle	31	91920	Screw - Machine, Fil. Hd. 8 - 32 x 5/8"
9	298740	Nozzle - Carburetor	32	222010	Valve - Choke
10	297861	Valve As'y. - Carburetor Idle	33	270382	Washer - Choke Shaft
11	270511	*Gasket - Float Bowl	34	93357	Screw - Carburetor Mtg.
12	299707	Float - Carburetor	35	270872	*Gasket - Carburetor Mtg.
13	391512	Shaft & Lever - Throttle	36	261274	LFA - Choke
14	222658	Valve - Throttle	37	298004	Pipe - Fuel (Inc. No. 38)
15	93499	Screw - Throttle & Choke Valve Mtg. Sem	38	93003	Clamp - Fuel Pipe
16	393410	Carburetor As'y. (Choke-A-Matic) (Inc. No.'s. 7 thru 33)	39	67218	Connector - Fuel Pipe
17	221985	Bowl - Float			
18	250932	*Screw - Nozzle			
19	222014	Washer - Float Bowl			
20	391233	Valve - Needle			
21	222311	Bracket - Carburetor			
22	299508	Valve - Fuel Inlet			
23	230898	*Pin - Float Hinge			

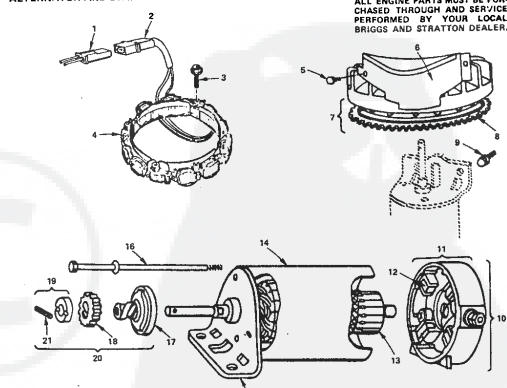
\*INCLUDED IN CARBURETOR OVERHAUL KIT - PART NO. 298652  
\*INCLUDED IN GASKET SET - PART NO. 393411

### REPAIR PARTS

36" RIDING LAWN TRACTOR-MODEL NUMBER L0239AR  
BRIGGS & STRATTON 10 H.P. ENGINE-MODEL NO. 220707, TYPE NO. 0134-01

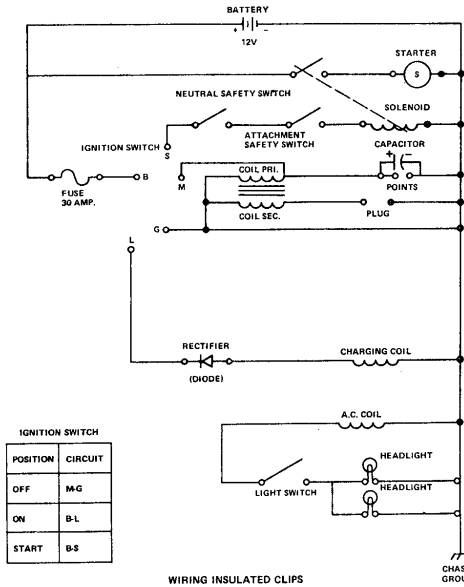
#### ALTERNATOR AND STARTER MOTOR GROUP

ALL ENGINE PARTS MUST BE PURCHASED THROUGH AND SERVICE PERFORMED BY YOUR LOCAL BRIGGS AND STRATTON DEALER.



KEY NO.	PART NO.	DESCRIPTION	KEY NO.	PART NO.	DESCRIPTION
1	393362	All. Harness Assembly	10	392749	Motor and Drive As'y. (12 Volts (Inc. No.'s. 11 thru 20))
2	393456	Diode and Conn. Assembly	11	390846	End Cap As'y. - Commutator (Inc. No. 12)
3	93521	Screw - Sem	12	391705	Brush As'y.
4	393474	Stator - Alternator	13	391705	Armature As'y.
5	93410	Screw - Sem	14	392744	Housing As'y.
6	390233	Cover and Shield - Starter	15	392061	End Cap As'y. - Drive
7	391968	Flywheel & Ring Gear As'y. - Magnet (Inc. No. 14)	16	391705	Thru Bolt As'y.
8	392134	Gear - Ring (Inc. Mounting Parts)	17	391125	Clutch As'y.
9	93523	Screw - Sem	18	260104	Gear
			19	391452	Retainer & Pin
			20	391461	Drive As'y. (Inc. No.'s. 17, 18 & 19)
			21	93754	Roll Pin

36" RIDING LAWN TRACTOR—MODEL NUMBER L0239AR  
SCHEMATIC DIAGRAM

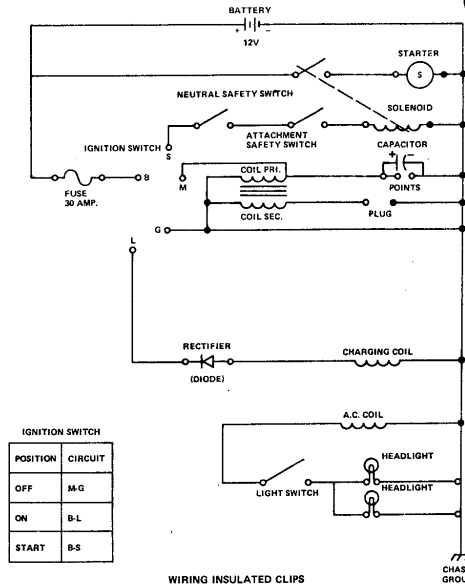


If Insulated Clips were removed for servicing of unit, they should be replaced to properly secure your wiring. There are three Insulated Clips on your Tractor.

1. L.H. side of Tractor for safety switch wires (Key No. 28, page 14).
2. R.H. side of Tractor securing wire harness and cable wire (Key No. 31, page 14).
3. Headlight wire (Key No. 26, page 14).

REPAIR PARTS

36" RIDING LAWN TRACTOR—MODEL NUMBER L1219AR  
SCHEMATIC DIAGRAM

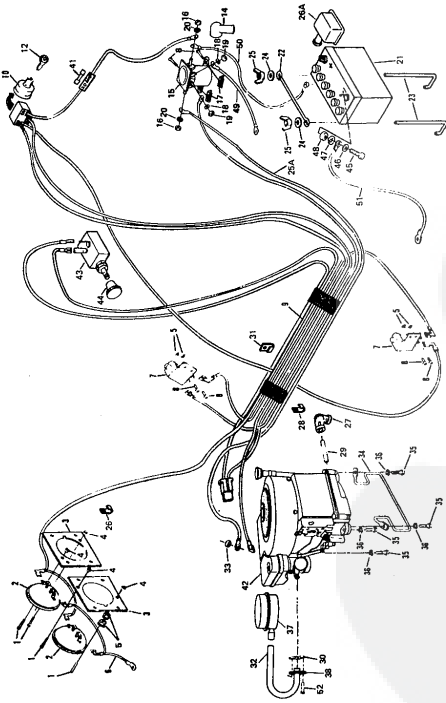


If Insulated Clips were removed for servicing of unit, they should be replaced to properly secure your wiring. There are three Insulated Clips on your Tractor.

1. L.H. side of Tractor for safety switch wires (Key No. 28, page 14).
2. R.H. side of Tractor securing wire harness and cable wire (Key No. 31, page 14).
3. Headlight wire (Key No. 26, page 14).

36" RIDING LAWN TRACTOR—MODEL NUMBER L1219AR

REPAIR PARTS  
ELECTRIC & ENGINE



36" RIDING LAWN TRACTOR—MODEL NUMBER L1219AR

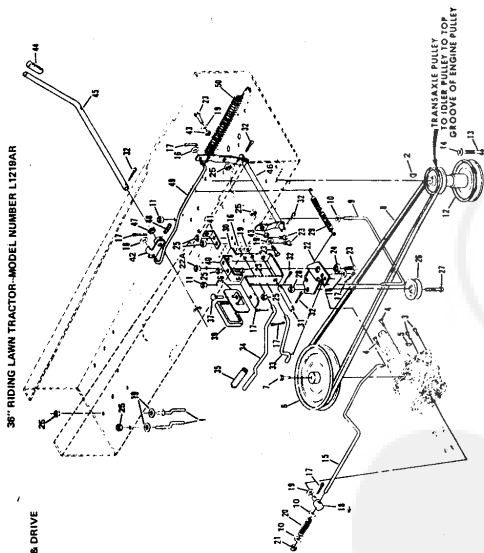
REPAIR PARTS  
ELECTRIC & ENGINE

KEY NO.	PART NO.	DESCRIPTION	KEY NO.	PART NO.	DESCRIPTION
1	3220P	Spark Machine, Trust Head	28	8522A	Coil, 16" x 1/2" - 18 MPT
2	6450R	Headlight, Standard	29	7315B	Insulated Coil
3	4822A	Wing Nut, Lock No. 10 - 24	30	6520A	Attachment Safety Switch
4	4822A	Wing Nut, Lock No. 10 - 24	31	6754R	Insulated Clip
5	7170S	Wiring Harness, 10' - 24' UMC	32	13380	Wing Nut, Lock No. 10 - 24 UMC
6	7170S	Wiring Harness, 10' - 24' UMC	33	13380	Wing Nut, Lock No. 10 - 24 UMC
7	7765R	Safety Switch	34	1786J	Ball Keeper, 1/4" Dia., Rolling
8	5220P	Wing Nut, Lock No. 10 - 24 UMC	35	5965P	Wing Nut, Lock No. 10 - 24 UMC
9	5220P	Wing Nut, Lock No. 10 - 24 UMC	36	80746B	Muffler, Lock 3/8"
10	4492A	Key Set	37	80746B	Muffler, Lock 3/8"
11	7562H	Key Set	38	1423	Exhaust Flange
12	7562H	Key Set	39	1423	Exhaust Flange
13	7562H	Key Set	40	252707	Engine - Briggs and Stratton 1 1/2 H.P.
14	7562H	Key Set	41	252707	Engine - Briggs and Stratton 1 1/2 H.P.
15	7754R	Solenoid	42	252707	Engine - Briggs and Stratton 1 1/2 H.P.
16	578P	Wing Nut, Lock No. 10 - 24 UMC	43	7733R	Light Switch
17	578P	Wing Nut, Lock No. 10 - 24 UMC	44	7733R	Light Switch
18	1006P	Washer, Lock No. 10 - 24 UMC	45	1595P	*Washer, 9/32 x 5/8 x 1/8 Gd.
19	1006P	Washer, Lock No. 10 - 24 UMC	46	1595P	*Washer, 9/32 x 5/8 x 1/8 Gd.
20	1006P	Washer, Lock No. 10 - 24 UMC	47	8027R	Wing Nut, Lock No. 10 - 24 UMC
21	67187	Lockwasher, 5/16"	48	8027R	Wing Nut, Lock No. 10 - 24 UMC
22	1597P	Battery Rod	49	8027R	Wing Nut, Lock No. 10 - 24 UMC
23	1597P	Battery Rod	50	8027R	Wing Nut, Lock No. 10 - 24 UMC
24	1597P	Battery Rod	51	8027R	Wing Nut, Lock No. 10 - 24 UMC
25	577P	Wing Nut, Lock No. 10 - 24 UMC	52	8027R	Wing Nut, Lock No. 10 - 24 UMC
26	577P	Wing Nut, Lock No. 10 - 24 UMC	53	8027R	Wing Nut, Lock No. 10 - 24 UMC
27	2521R	Terminal Cover	54	1837J	Wing Nut, Lock No. 10 - 24 UMC
28	2521R	Terminal Cover	55	1837J	Wing Nut, Lock No. 10 - 24 UMC
29	2521R	Terminal Cover	56	1837J	Wing Nut, Lock No. 10 - 24 UMC
30	2521R	Terminal Cover	57	1837J	Wing Nut, Lock No. 10 - 24 UMC

\*STANDARD HARDWARE—PURCHASE LOCALLY  
OPTIONAL EQUIPMENT  
Spark Arrestor/Muffler L1248AR

### REPAIR PARTS

#### CLUTCH-BRAKE & DRIVE

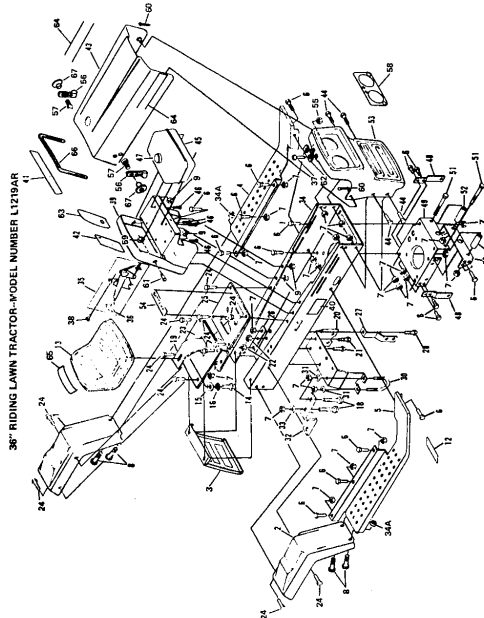


REF. NO.	PART NO.	DESCRIPTION
1	71000	Bltn Guide
2	60599	Screw, Hex Head w/Washer
3	60599	Screw, Hex Head w/Washer
4	6000P	Washer, 1/8 x 1-1/8
5	52889	Pulley, 1/8 x 1-1/8
6	72842	Pulley, 1/8 x 1-1/8
7	60599	Screw, Hex Head w/Washer
8	72394	Washer, 1/8 x 1-1/8
9	1611P	Washer, 1/8 x 1-1/8
10	1611P	Washer, 1/8 x 1-1/8
11	71020	Screw, Machine w/Ext. Lockwasher
12	71020	Screw, Machine w/Ext. Lockwasher
13	6000P	Washer, 1/8 x 1-1/8
14	1610P	Washer, 3/8 x 1-1/4 x 6 Ga.
15	1607P	Washer, 3/8 x 1-1/4 x 6 Ga.
16	2000P	Washer, 1/2 x 3/4 x 16 Ga.
17	1607P	Washer, 3/8 x 1-1/4 x 6 Ga.
18	1607P	Washer, 3/8 x 1-1/4 x 6 Ga.
19	1607P	Washer, 3/8 x 1-1/4 x 6 Ga.
20	5100P	Washer, 1/2 x 3/4 x 16 Ga.
21	71001	Locknut w/Washer 5/16 - 18 UNC
22A	500P	Spring

\*STANDARD HARDWARE - PURCHASE LOCALLY

### REPAIR PARTS

#### CHASSIS

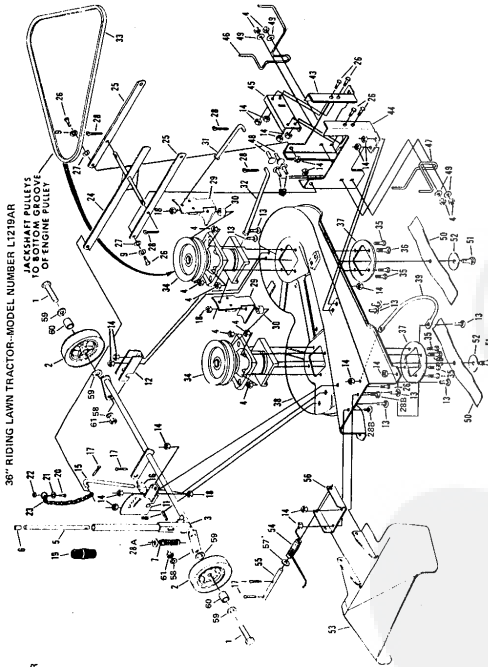


REF. NO.	PART NO.	DESCRIPTION
1	388U	Front B.R.H.
2	388U	Rear B.R.H.
3	1538L	Rear Cover
4	1540U	Seat
5	1540U	Seat
6	571P	Nut, Lock 5/16 - 18 UNC
7	571P	Nut, Lock 5/16 - 18 UNC
8	3000P	Bolt, Hex Head 5/16 - 18 x 1 1/2
9	1133J	Washer, 5/16 - 18 x 3/4
10	1133J	Washer, 5/16 - 18 x 3/4
11	1133J	Washer, 5/16 - 18 x 3/4
12	1133J	Washer, 5/16 - 18 x 3/4
13	3002P	Bolt, Hex Head 1/2 - 13 x 1
14	3002P	Bolt, Hex Head 1/2 - 13 x 1
15	1500P	Washer 1/2 x 3/4 - 3/16 x 11 Ga.
16	3002P	Bolt, Hex Head 1/2 - 13 x 1
17	3002P	Bolt, Hex Head 1/2 - 13 x 1
18	3002P	Bolt, Hex Head 1/2 - 13 x 1
19	3002P	Bolt, Hex Head 1/2 - 13 x 1
20	7201P	Transaxle Support
21	3002P	Bolt, Hex Head 1/2 - 13 x 1
22	1750J	Cover Plate, 3/4" Thick
23	1750J	Cover Plate, 3/4" Thick
24	5822P	Chassis Cover
25	677A2P	Chassis Cover
26	677A2P	Chassis Cover
27	71198	Washer, 5/16 x 3/4 x 11 Ga.
28	71198	Washer, 5/16 x 3/4 x 11 Ga.
29	71198	Washer, 5/16 x 3/4 x 11 Ga.
30	71008	Washer, 5/16 x 3/4 x 11 Ga.
31	71008	Washer, 5/16 x 3/4 x 11 Ga.
32	1610P	Washer, 3/8 x 1-1/4 x 6 Ga.
33	1610P	Washer, 3/8 x 1-1/4 x 6 Ga.
34	582P	Washer, 3/8 x 1-1/4 x 6 Ga.

\*STANDARD HARDWARE - PURCHASE LOCALLY

**REPAIR PARTS**

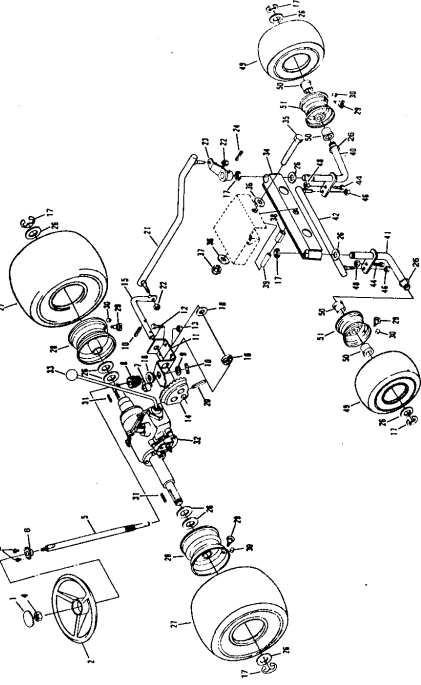
MOWER



38" RIDING LAWN TRACTOR—MODEL NUMBER L1219AR  
JACKSHAF PULLEYS  
TO BOTTOM GROOVE  
OF ENGINE PULLEY

**REPAIR PARTS**

STEERING AND WHEELS



36" RIDING LAWN TRACTOR—MODEL NUMBER L1219AR

**REPAIR PARTS**

MOWER

36" RIDING LAWN TRACTOR—MODEL NUMBER L1219AR

REF. NO.	PART NO.	DESCRIPTION	REF. NO.	PART NO.	DESCRIPTION
1	3198P	Hex Bolt 3/8" x 2 1/2" - 24 Gr. 5	29	877A46	Brake Assembly
2	877A134	Front Rod Assembly	30	506J	Steering Wheel
3	165J1	Roller	31	71525	Brake Rod - R.H.
4	849R	Roller	32	71524	Brake Rod - L.H.
5	165J1	Cap - Lever Plunger	33	794151A	Transaxle Assembly Model 143.68A (See Pages 24 and 25)
6	849R	Roller	34	877A181	Jackshaft Assembly
7	82501R	Pin - Drive Lock	35	1554J	Steering Shaft
8	82501R	Pin - Drive Lock	36	1554J	Bushing
9	82501R	Pin - Drive Lock	37	1554J	Bushing
10	82501R	Pin - Drive Lock	38	74851	Rimless Gear
11	82501R	Pin - Drive Lock	39	74851	Rimless Gear
12	82501R	Pin - Drive Lock	40	52379	Steering Bracket
13	82501R	Pin - Drive Lock	41	52379	Steering Bracket
14	82501R	Pin - Drive Lock	42	52379	Steering Bracket
15	82501R	Pin - Drive Lock	43	52379	Steering Bracket
16	82501R	Pin - Drive Lock	44	52379	Steering Bracket
17	82501R	Pin - Drive Lock	45	52379	Steering Bracket
18	82501R	Pin - Drive Lock	46	52379	Steering Bracket
19	82501R	Pin - Drive Lock	47	52379	Steering Bracket
20	82501R	Pin - Drive Lock	48	52379	Steering Bracket
21	82501R	Pin - Drive Lock	49	52379	Steering Bracket
22	82501R	Pin - Drive Lock	50	52379	Steering Bracket
23	82501R	Pin - Drive Lock	51	52379	Steering Bracket
24	82501R	Pin - Drive Lock	52	52379	Steering Bracket
25	82501R	Pin - Drive Lock	53	52379	Steering Bracket
26	82501R	Pin - Drive Lock	54	52379	Steering Bracket
27	82501R	Pin - Drive Lock	55	52379	Steering Bracket
28	82501R	Pin - Drive Lock	56	52379	Steering Bracket
29	82501R	Pin - Drive Lock	57	52379	Steering Bracket
30	82501R	Pin - Drive Lock	58	52379	Steering Bracket
31	82501R	Pin - Drive Lock	59	52379	Steering Bracket
32	82501R	Pin - Drive Lock	60	52379	Steering Bracket
33	82501R	Pin - Drive Lock	61	52379	Steering Bracket
34	82501R	Pin - Drive Lock	62	52379	Steering Bracket
35	82501R	Pin - Drive Lock	63	52379	Steering Bracket
36	82501R	Pin - Drive Lock	64	52379	Steering Bracket
37	82501R	Pin - Drive Lock	65	52379	Steering Bracket
38	82501R	Pin - Drive Lock	66	52379	Steering Bracket
39	82501R	Pin - Drive Lock	67	52379	Steering Bracket
40	82501R	Pin - Drive Lock	68	52379	Steering Bracket
41	82501R	Pin - Drive Lock	69	52379	Steering Bracket
42	82501R	Pin - Drive Lock	70	52379	Steering Bracket
43	82501R	Pin - Drive Lock	71	52379	Steering Bracket
44	82501R	Pin - Drive Lock	72	52379	Steering Bracket
45	82501R	Pin - Drive Lock	73	52379	Steering Bracket
46	82501R	Pin - Drive Lock	74	52379	Steering Bracket
47	82501R	Pin - Drive Lock	75	52379	Steering Bracket
48	82501R	Pin - Drive Lock	76	52379	Steering Bracket
49	82501R	Pin - Drive Lock	77	52379	Steering Bracket
50	82501R	Pin - Drive Lock	78	52379	Steering Bracket
51	82501R	Pin - Drive Lock	79	52379	Steering Bracket
52	82501R	Pin - Drive Lock	80	52379	Steering Bracket
53	82501R	Pin - Drive Lock	81	52379	Steering Bracket
54	82501R	Pin - Drive Lock	82	52379	Steering Bracket
55	82501R	Pin - Drive Lock	83	52379	Steering Bracket
56	82501R	Pin - Drive Lock	84	52379	Steering Bracket
57	82501R	Pin - Drive Lock	85	52379	Steering Bracket
58	82501R	Pin - Drive Lock	86	52379	Steering Bracket
59	82501R	Pin - Drive Lock	87	52379	Steering Bracket
60	82501R	Pin - Drive Lock	88	52379	Steering Bracket
61	82501R	Pin - Drive Lock	89	52379	Steering Bracket
62	82501R	Pin - Drive Lock	90	52379	Steering Bracket
63	82501R	Pin - Drive Lock	91	52379	Steering Bracket
64	82501R	Pin - Drive Lock	92	52379	Steering Bracket
65	82501R	Pin - Drive Lock	93	52379	Steering Bracket
66	82501R	Pin - Drive Lock	94	52379	Steering Bracket
67	82501R	Pin - Drive Lock	95	52379	Steering Bracket
68	82501R	Pin - Drive Lock	96	52379	Steering Bracket
69	82501R	Pin - Drive Lock	97	52379	Steering Bracket
70	82501R	Pin - Drive Lock	98	52379	Steering Bracket
71	82501R	Pin - Drive Lock	99	52379	Steering Bracket
72	82501R	Pin - Drive Lock	100	52379	Steering Bracket

\* STANDARD HARDWARE—PURCHASE LOCALLY

**REPAIR PARTS**

STEERING AND WHEELS

REF. NO.	PART NO.	DESCRIPTION	REF. NO.	PART NO.	DESCRIPTION
1	1114J	Steering Wheel Insert	29	86139	Valve Stem
2	506J	Steering Wheel	30	59192	Valve Cup
3	506J	Steering Wheel	31	794151A	Transaxle Assembly Model 143.68A (See Pages 24 and 25)
4	506J	Steering Wheel	32	794151A	Transaxle Assembly Model 143.68A (See Pages 24 and 25)
5	1554J	Steering Shaft	33	55862	Rocker Bar Assembly - L.H.
6	1554J	Bushing	34	877A81	Rockers Bar Assembly - R.H.
7	1554J	Bushing	35	877A81	Rockers Bar Assembly - R.H.
8	74851	Rimless Gear	36	87155	Ball Lock 1/2" - 13 UNC
9	74851	Rimless Gear	37	87155	Ball Lock 1/2" - 13 UNC
10	52379	Steering Bracket	38	87155	Ball Lock 1/2" - 13 UNC
11	52379	Steering Bracket	39	71188	Pin - Spacer
12	52379	Steering Bracket	40	72237	Kingpin Assembly - L.H.
13	52379	Steering Bracket	41	72237	Kingpin Assembly - R.H.
14	52379	Steering Bracket	42	72237	Kingpin Assembly - R.H.
15	52379	Steering Bracket	43	72237	Kingpin Assembly - R.H.
16	52379	Steering Bracket	44	72237	Kingpin Assembly - R.H.
17	52379	Steering Bracket	45	72237	Kingpin Assembly - R.H.
18	52379	Steering Bracket	46	72237	Kingpin Assembly - R.H.
19	52379	Steering Bracket	47	72237	Kingpin Assembly - R.H.
20	52379	Steering Bracket	48	72237	Kingpin Assembly - R.H.
21	52379	Steering Bracket	49	72237	Kingpin Assembly - R.H.
22	52379	Steering Bracket	50	72237	Kingpin Assembly - R.H.
23	52379	Steering Bracket	51	72237	Kingpin Assembly - R.H.
24	52379	Steering Bracket	52	72237	Kingpin Assembly - R.H.
25	52379	Steering Bracket	53	72237	Kingpin Assembly - R.H.
26	52379	Steering Bracket	54	72237	Kingpin Assembly - R.H.
27	52379	Steering Bracket	55	72237	Kingpin Assembly - R.H.
28	52379	Steering Bracket	56	72237	Kingpin Assembly - R.H.
29	52379	Steering Bracket	57	72237	Kingpin Assembly - R.H.
30	52379	Steering Bracket	58	72237	Kingpin Assembly - R.H.
31	52379	Steering Bracket	59	72237	Kingpin Assembly - R.H.
32	52379	Steering Bracket	60	72237	Kingpin Assembly - R.H.
33	52379	Steering Bracket	61	72237	Kingpin Assembly - R.H.
34	52379	Steering Bracket	62	72237	Kingpin Assembly - R.H.
35	52379	Steering Bracket	63	72237	Kingpin Assembly - R.H.
36	52379	Steering Bracket	64	72237	Kingpin Assembly - R.H.
37	52379	Steering Bracket	65	72237	Kingpin Assembly - R.H.
38	52379	Steering Bracket	66	72237	Kingpin Assembly - R.H.
39	52379	Steering Bracket	67	72237	Kingpin Assembly - R.H.
40	52379	Steering Bracket	68	72237	Kingpin Assembly - R.H.
41	52379	Steering Bracket	69	72237	Kingpin Assembly - R.H.
42	52379	Steering Bracket	70	72237	Kingpin Assembly - R.H.
43	52379	Steering Bracket	71	72237	Kingpin Assembly - R.H.
44	52379	Steering Bracket	72	72237	Kingpin Assembly - R.H.
45	52379	Steering Bracket	73	72237	Kingpin Assembly - R.H.
46	52379	Steering Bracket	74	72237	Kingpin Assembly - R.H.
47	52379	Steering Bracket	75	72237	Kingpin Assembly - R.H.
48	52379	Steering Bracket	76	72237	Kingpin Assembly - R.H.
49	52379	Steering Bracket	77	72237	Kingpin Assembly - R.H.
50	52379	Steering Bracket	78	72237	Kingpin Assembly - R.H.
51	52379	Steering Bracket	79	72237	Kingpin Assembly - R.H.
52	52379	Steering Bracket	80	72237	Kingpin Assembly - R.H.
53	52379	Steering Bracket	81	72237	Kingpin Assembly - R.H.
54	52379	Steering Bracket	82	72237	Kingpin Assembly - R.H.
55	52379	Steering Bracket	83	72237	Kingpin Assembly - R.H.
56	52379	Steering Bracket	84	72237	Kingpin Assembly - R.H.
57	52379	Steering Bracket	85	72237	Kingpin Assembly - R.H.
58	52379	Steering Bracket	86	72237	Kingpin Assembly - R.H.
59	52379	Steering Bracket	87	72237	Kingpin Assembly - R.H.
60	52379	Steering Bracket	88	72237	Kingpin Assembly - R.H.
61	52379	Steering Bracket	89	72237	Kingpin Assembly - R.H.
62	52379	Steering Bracket	90	72237	Kingpin Assembly - R.H.
63	52379	Steering Bracket	91	72237	Kingpin Assembly - R.H.
64	52379	Steering Bracket	92	72237	Kingpin Assembly - R.H.
65	52379	Steering Bracket	93	72237	Kingpin Assembly - R.H.
66	52379	Steering Bracket	94	72237	Kingpin Assembly - R.H.
67	52379	Steering Bracket	95	72237	Kingpin Assembly - R.H.
68	52379	Steering Bracket	96	72237	Kingpin Assembly - R.H.
69	52379	Steering Bracket	97	72237	Kingpin Assembly - R.H.
70	52379	Steering Bracket	98	72237	Kingpin Assembly - R.H.
71	52379	Steering Bracket	99	72237	Kingpin Assembly - R.H.
72	52379	Steering Bracket	100	72237	Kingpin Assembly - R.H.

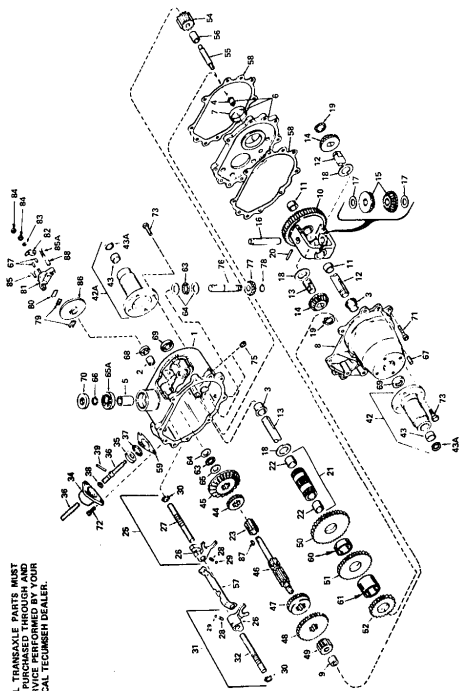
\* STANDARD HARDWARE—PURCHASE LOCALLY



**REPAIR PARTS**

36" RIDING LAWN TRACTOR-MODEL NUMBER L1219A  
TRANSEXLE-MODEL NUMBER 143.658A

ALL TRANSEXLE PARTS MUST BE PURCHASED THROUGH AND SERVICE PERFORMED BY YOUR LOCAL BRIGGS AND STRATTON DEALER.



**REPAIR PARTS**

36" RIDING LAWN TRACTOR-MODEL NUMBER L1219A  
TRANSEXLE-MODEL NUMBER 143.658A

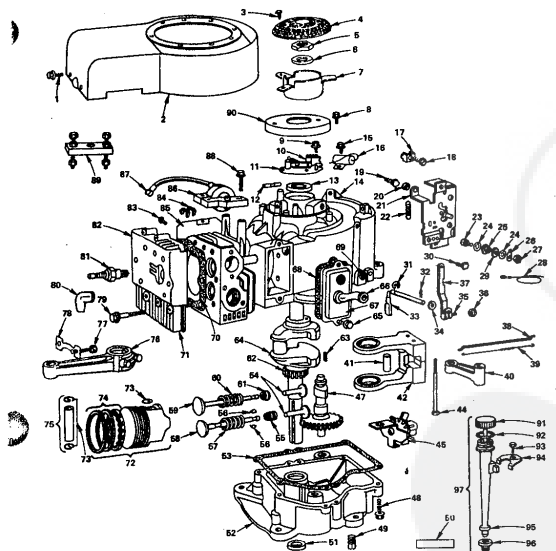
KEY NO.	PART NO.	DESCRIPTION
1	78491A	Complete Transaxle
2	78003	Case Assy., Transaxle (Inc. No's. 2, 3 & 9)
3	78008	Shaft, Input
4	78009	Bearing, Bronze
5	78010	Shaft, Output
6	78011	Bearing, Bronze
7	78012	Case, Counter (1st Gear)
8	78013	Case, Counter (2nd Gear)
9	78014	Case, Counter (3rd Gear)
10	78015	Case, Counter (4th Gear)
11	78016	Case, Counter (5th Gear)
12	78017	Case, Counter (6th Gear)
13	78018	Case, Counter (7th Gear)
14	78019	Case, Counter (8th Gear)
15	78020	Case, Counter (9th Gear)
16	78021	Case, Counter (10th Gear)
17	78022	Case, Counter (11th Gear)
18	78023	Case, Counter (12th Gear)
19	78024	Case, Counter (13th Gear)
20	78025	Case, Counter (14th Gear)
21	78026	Case, Counter (15th Gear)
22	78027	Case, Counter (16th Gear)
23	78028	Case, Counter (17th Gear)
24	78029	Case, Counter (18th Gear)
25	78030	Case, Counter (19th Gear)
26	78031	Case, Counter (20th Gear)
27	78032	Case, Counter (21st Gear)
28	78033	Case, Counter (22nd Gear)
29	78034	Case, Counter (23rd Gear)
30	78035	Case, Counter (24th Gear)
31	78036	Case, Counter (25th Gear)
32	78037	Case, Counter (26th Gear)
33	78038	Case, Counter (27th Gear)
34	78039	Case, Counter (28th Gear)
35	78040	Case, Counter (29th Gear)
36	78041	Case, Counter (30th Gear)
37	78042	Case, Counter (31st Gear)
38	78043	Case, Counter (32nd Gear)
39	78044	Case, Counter (33rd Gear)
40	78045	Case, Counter (34th Gear)
41	78046	Case, Counter (35th Gear)
42	78047	Case, Counter (36th Gear)
43	78048	Case, Counter (37th Gear)
44	78049	Case, Counter (38th Gear)
45	78050	Case, Counter (39th Gear)
46	78051	Case, Counter (40th Gear)
47	78052	Case, Counter (41st Gear)
48	78053	Case, Counter (42nd Gear)
49	78054	Case, Counter (43rd Gear)
50	78055	Case, Counter (44th Gear)
51	78056	Case, Counter (45th Gear)
52	78057	Case, Counter (46th Gear)
53	78058	Case, Counter (47th Gear)
54	78059	Case, Counter (48th Gear)
55	78060	Case, Counter (49th Gear)
56	78061	Case, Counter (50th Gear)
57	78062	Case, Counter (51st Gear)
58	78063	Case, Counter (52nd Gear)
59	78064	Case, Counter (53rd Gear)
60	78065	Case, Counter (54th Gear)
61	78066	Case, Counter (55th Gear)
62	78067	Case, Counter (56th Gear)
63	78068	Case, Counter (57th Gear)
64	78069	Case, Counter (58th Gear)
65	78070	Case, Counter (59th Gear)
66	78071	Case, Counter (60th Gear)
67	78072	Case, Counter (61st Gear)
68	78073	Case, Counter (62nd Gear)
69	78074	Case, Counter (63rd Gear)
70	78075	Case, Counter (64th Gear)
71	78076	Case, Counter (65th Gear)
72	78077	Case, Counter (66th Gear)
73	78078	Case, Counter (67th Gear)
74	78079	Case, Counter (68th Gear)
75	78080	Case, Counter (69th Gear)
76	78081	Case, Counter (70th Gear)
77	78082	Case, Counter (71st Gear)
78	78083	Case, Counter (72nd Gear)
79	78084	Case, Counter (73rd Gear)
80	78085	Case, Counter (74th Gear)
81	78086	Case, Counter (75th Gear)
82	78087	Case, Counter (76th Gear)
83	78088	Case, Counter (77th Gear)
84	78089	Case, Counter (78th Gear)
85	78090	Case, Counter (79th Gear)
86	78091	Case, Counter (80th Gear)
87	78092	Case, Counter (81st Gear)
88	78093	Case, Counter (82nd Gear)
89	78094	Case, Counter (83rd Gear)
90	78095	Case, Counter (84th Gear)
91	78096	Case, Counter (85th Gear)
92	78097	Case, Counter (86th Gear)
93	78098	Case, Counter (87th Gear)
94	78099	Case, Counter (88th Gear)
95	78100	Case, Counter (89th Gear)
96	78101	Case, Counter (90th Gear)
97	78102	Case, Counter (91st Gear)
98	78103	Case, Counter (92nd Gear)
99	78104	Case, Counter (93rd Gear)
100	78105	Case, Counter (94th Gear)
101	78106	Case, Counter (95th Gear)
102	78107	Case, Counter (96th Gear)
103	78108	Case, Counter (97th Gear)
104	78109	Case, Counter (98th Gear)
105	78110	Case, Counter (99th Gear)
106	78111	Case, Counter (100th Gear)

**REPAIR PARTS**

36" RIDING LAWN TRACTOR-MODEL NUMBER L1219A  
BRIGGS & STRATTON 11 H.P. ENGINE-MODEL NO. 252707, TYPE NO. 0172-01

**CYLINDER, CRANKSHAFT AND ENGINE BASE GROUP**

ALL ENGINE PARTS MUST BE PURCHASED THROUGH AND SERVICE PERFORMED BY YOUR LOCAL BRIGGS AND STRATTON DEALER.



**REPAIR PARTS**

36" RIDING LAWN TRACTOR-MODEL NUMBER L1219A  
BRIGGS & STRATTON 11 H.P. ENGINE-MODEL NO. 252707, TYPE NO. 0172-01

**CYLINDER, CRANKSHAFT AND ENGINE BASE GROUP**

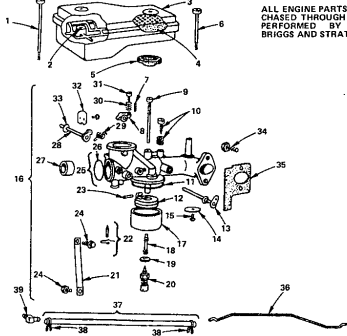
KEY NO.	PART NO.	DESCRIPTION	KEY NO.	PART NO.	DESCRIPTION
1	93158	Screw - Blower Housing Mounting Sem	51	991675	Seal - Oil
2	93159	Screw - Sem	52	391784	Sump - Oil (Inc. No's. 51 & 53)
3	93160	Screw - Flank Rotating	53	27086	Gasket - Crankcase Cover - 105" Thick
4	93161	Nut - Hex	54	27087	Gasket - Crankcase Cover - 105" Thick
5	93162	Washer - Spring	55	29250	Tapco Valve
6	93163	Screw - Mounting	56	29251	Retainer - Exhaust Valve
7	93164	Screw - Sem	57	29252	Spring - Exhaust Valve
8	93165	Screw - Breaker Adjusting Sem	58	29253	Valve - Exhaust
9	93166	Spring - Breaker Arm	59	29254	Valve - Intake
10	93167	Breaker Assy. - Ignition (Inc. No. 10)	60	29255	Spring - Intake Valve
11	93168	Spring - Breaker Point	61	29256	Retainer - Intake Valve
12	93169	Seal - Oil	62	391794	Crankshaft
13	93170	Cylinder Assy. (Inc. No. 13)	63	61760	Key - Flywheel
14	93171	Condenser	64	93180	Screw - Sem
15	93172	Clamp - Casing	65	93181	Tube - Breather
16	93173	Screw - Sem	66	93182	Breather Assembly
17	93174	Screw - Control Bracket Mounting	67	93183	Gasket - Valve Cover
18	93175	Screw - Control Bracket Mounting	68	21165	Bushing - Gov. Crank (1/4" I.D.)
19	93176	Plate - Gov. Control	69	21166	Gasket - Cylinder Head
20	93177	Spring - Governor	70	21167	Head - Cylinder
21	93178	Screw - Terminal	71	21200	Piston Assy. - Standard (Inc. No's. 73 & 74)
22	93179	Washer - Lock - Shakeproof	72	391287	Piston Assy. - 010" O.S.
23	93180	Collar - Insulating	73	391288	Piston Assy. - 020" O.S.
24	93181	Terminal - Spade	74	391289	Lock - Piston Pin
25	93182	Nut - Hex 8-32	75	391290	Ring Set - Piston - Std.
26	93183	Wire - Ground	76	391291	Ring Set - Piston - 010" O.S.
27	93184	Washer - Insulating	77	391292	Ring Set - Piston - 020" O.S.
28	93185	Screw - E-Ring	78	296691	Pin Assy. - Piston - Std. (Inc. No. 73)
29	93186	Cotter - Hair Pin	79	39175	Pin Assy. - Piston - 010" O.S.
30	93187	Plate - Gov. Crank (1/4" I.D.)	80	39176	Pin Assy. - Piston - 020" O.S.
31	93188	Soft - Governor Lever	81	92669	Rod Assy. - Connecting (Inc. 77 & 78)
32	93189	Washer - Gov. Crank (1/4" I.D.)	82	92670	Screw - Conn. Rod
33	93190	Nut - Hex 10-24	83	92671	Lock - Conn. Rod Screw
34	93191	Lever Assy. - Governor (Inc. 14")	84	92672	Screw - Cylinder Head "Long"
35	93192	Diap. Crank (Inc. No's. 35 & 36)	85	92673	NOTE: 93181 Stud - Cylinder Head
36	93193	Lever Assy. - Governor (Inc. 14")	86	66538	Washer
37	93194	Link - Governor	87	222725	Elbow - Spark Plug
38	93195	Spring - Governor Link	88	222726	Plug - Spark (1 1/2" High - 37 - 42 MM)
39	211875	Link - Counterweight	89	222727	NOTE: Spark Plugs use Ignition Cable
40	282805	Pin - Counterweight	90	222728	Terminal No. 221788
41	391373	Counterweight Assy. (Inc. No. 41)	91	222729	Shield - Cylinder
42	93175	Screw - Counterweight	92	222730	Clip - Cylinder
43	391764	Oil Slinger, Gov. Gear & Bracket Assy.	93	222731	Armature Assy.
44	212795	Gear - Cam	94	18203	Terminal - Ignition Cable
45	93585	Screw - Sump Mounting Sem	95	18204	Screw - Armature Mounting Sem
46	91054	Plug - Oil Drain	96	222809	Puller - Flywheel
47	393411	Gasket Set	97	393410	Cover - Breaker Point
			98	393411	Cap and Discock - Oil Filter
			99	22502	Seal - Filter Cap
			100	22503	Clamp - Oil Filter Tube
			101	22504	Tube - Oil Filter
			102	22505	Seal - Filter Tube
			103	22506	Filter Group - Oil

\*STANDARD HARDWARE-PURCHASE LOCALLY

**REPAIR PARTS**

36" RIDING LAWN TRACTOR - MODEL NUMBER L1219AR  
BRIGGS & STRATTON 11 H.P. ENGINE - MODEL NO. 252707, TYPE NO. 0172-01

**AIR CLEANER AND CARBURETOR**



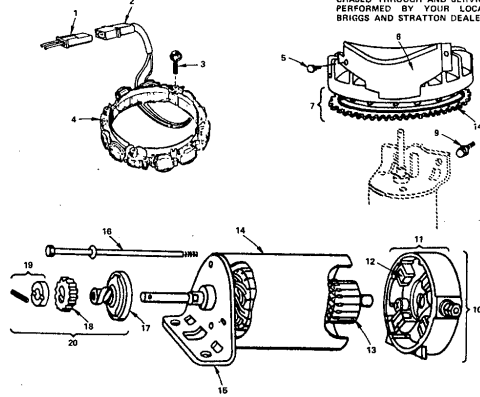
ALL ENGINE PARTS MUST BE PURCHASED THROUGH AND SERVICE PERFORMED BY YOUR LOCAL BRIGGS AND STRATTON DEALER.

KEY NO.	PART NO.	DESCRIPTION	KEY NO.	PART NO.	DESCRIPTION
1	93323	Screw - Air Cleaner	24	93572	Screw
2	280118	Support - Air Cleaner Element	25	391787	Body Ass'y. - Carburetor (Inc. No. 26)
3	391796	Cleaner Ass'y. - Air (Inc. No's. 2 & 4)	26	221997	*Plug - Wash
4	270843	Element - Air Cleaner	27	211960	Venturi - Carburetor
5	270853	Gasket - Air Cleaner	28	390694	Shaft & Lever - Choke
6	93322	Screw - Air Cleaner	29	261115	Spring - Choke Return
7	93043	Pin - Throttle Stop	30	26157	Spring - Throttle Adjustment
8	211712	Stop - Throttle	31	91520	Screw - Machine, Flat, Hd. 8 - 32 x 5/8"
9	296740	Nozzle - Carburetor	32	222010	Valve Choke
10	292681	*Valve Ass'y. - Carburetor Idle	33	270382	Washer - Choke Shaft
11	270511	*Gasket - Float Bowl	34	93321	Screw - Carburetor Mtg.
12	299707	Float - Carburetor	35	270872	*Gasket - Carburetor Mtg.
13	391512	Shaft & Lever - Throttle	36	291274	Link - Choke
14	222858	Valve - Throttle	37	296004	Pipe - Fuel (Inc. No. 38)
15	93499	Screw - Throttle & Choke Valve Mtg.	38	93053	Clamp - Fuel Pipe
16	393410	Carburetor Ass'y. (Choke-A-Matic) (Inc. No's. 7 thru 23)	39	67218	Connector - Fuel Pipe
17	221995	Bowl - Float			
18	230652	*Screw - Nozzle			*INCLUDED IN CARBURETOR OVERHAUL KIT - PART NO. 299852
19	222014	*Washer - Float Bowl			*INCLUDED IN GASKET SET - PART NO. 393411
20	391233	*Valve - Needle			
21	222511	Bracket - Carburetor			
22	299098	*Valve - Fuel Inlet			
23	230696	*Pin - Float Hinge			

**REPAIR PARTS**

36" RIDING LAWN TRACTOR - MODEL NUMBER L1219AR  
BRIGGS & STRATTON 11 H.P. ENGINE - MODEL NO. 252707, TYPE NO. 0172-01

**ALTERNATOR AND STARTER MOTOR GROUP**

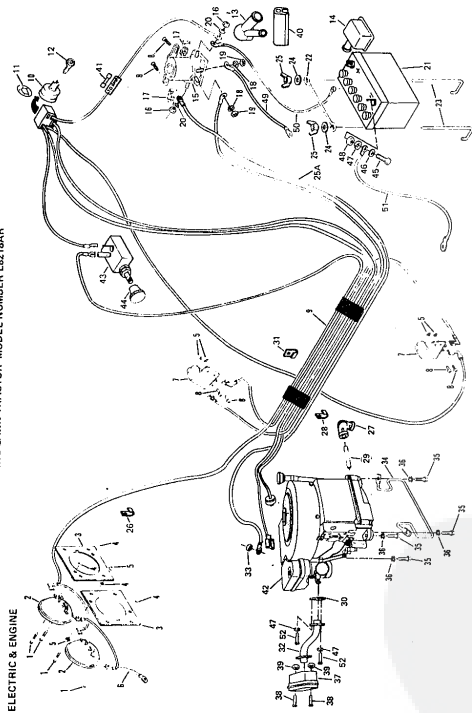


ALL ENGINE PARTS MUST BE PURCHASED THROUGH AND SERVICE PERFORMED BY YOUR LOCAL BRIGGS AND STRATTON DEALER.

KEY NO.	PART NO.	DESCRIPTION	KEY NO.	PART NO.	DESCRIPTION
1	393362	Alt. Harness Assembly	10	392749	Motor and Drive Ass'y. (12 Volt) (Inc. No's. 11 thru 20)
2	393656	Diode and Conn. Assembly	11	390846	End Cap Ass'y. Commutator (Inc. No. 12)
3	93621	Screw - Set	12	391705	Brush Ass'y.
4	394474	Stator - Alternator	13	390233	Cover and Shield - Starter
5	53410	Screw - Ring	14	292744	Flywheel & Ring Gear Ass'y. - Magneto (Inc. No. 14)
6	390233	Cover and Shield - Starter	15	391705	Thru Bolt Ass'y.
7	391698	Flywheel & Ring Gear Ass'y. - Magneto (Inc. No. 14)	16	280104	Gear
8	393134	Gear - Ring (Inc. Mounting Parts)	17	391462	Retainer & Pin
9	93623	Screw - Set	18	280104	Gear
			19	391461	Drive Ass'y. (Inc. No's. 17, 18 & 19)
			20	391461	Drive Ass'y. (Inc. No's. 17, 18 & 19)

**REPAIR PARTS**

**ELECTRIC & ENGINE**



**REPAIR PARTS**

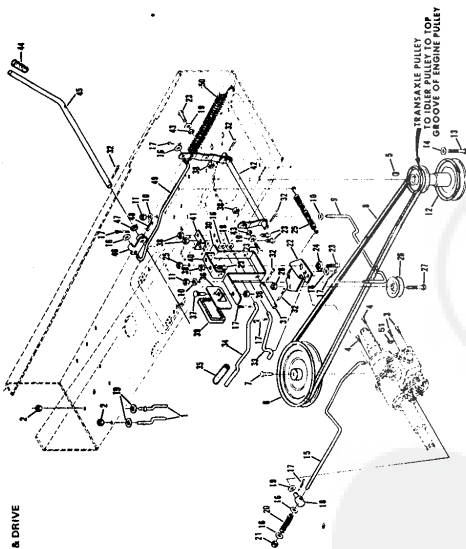
**ELECTRIC & ENGINE**

KEY NO.	PART NO.	DESCRIPTION	KEY NO.	PART NO.	DESCRIPTION
1	65421	Screw, Machine Truss Head	27	4017P	Sd. Elbow 9/16" x 1/8" NPT
2	6452R	Washer, 1/2" x 1/2"	28	3245R	Insulated Clip
3	23005	Headlight Support - 24	29	391787	Body Ass'y. - Carburetor (Inc. No. 26)
4	661P	Nut, 1/2" x 1/2"	30	27144	Exhaust Gasket
5	661P	Nut, 1/2" x 1/2"	31	27144	Exhaust Gasket
6	661P	Nut, 1/2" x 1/2"	32	27144	Exhaust Gasket
7	7758R	Screw, Machine Phillips Head	33	59480	Washer, 1/2" x 1/2"
8	3359P	Washer, 1/2" x 1/2"	34	59480	Washer, 1/2" x 1/2"
9	478	Washer, 1/2" x 1/2"	35	59480	Washer, 1/2" x 1/2"
10	6557R	Washer, 1/2" x 1/2"	36	1004P	Washer, 1/2" x 1/2"
11	6557R	Washer, 1/2" x 1/2"	37	2715	Washer, 1/2" x 1/2"
12	2522H	Washer, 1/2" x 1/2"	38	5492	Nut, 1/2" x 1/2"
13	2522H	Washer, 1/2" x 1/2"	39	5492	Nut, 1/2" x 1/2"
14	2522H	Washer, 1/2" x 1/2"	40	5347R	Washer, 1/2" x 1/2"
15	2522H	Washer, 1/2" x 1/2"	41	5347R	Washer, 1/2" x 1/2"
16	2522H	Washer, 1/2" x 1/2"	42	191707	Engine - Briggs and Stratton 8 H.P. (Inc. No's. 1 thru 28)
17	608B1	Washer, 1/2" x 1/2"	43	7738R	Engine - Briggs and Stratton 8 H.P. (Inc. No's. 1 thru 28)
18	5439P	Washer, 1/2" x 1/2"	44	7738R	Engine - Briggs and Stratton 8 H.P. (Inc. No's. 1 thru 28)
19	5439P	Washer, 1/2" x 1/2"	45	1506P	Washer, 9/32" x 5/8" x 1/8" Gh.
20	2282P	Washer, 1/2" x 1/2"	46	2029P	Washer, 1/2" x 1/2"
21	2282P	Washer, 1/2" x 1/2"	47	8039P	*Hex Nut 1/4" - 20
22	2282P	Washer, 1/2" x 1/2"	48	8039P	*Hex Nut 1/4" - 20
23	2282P	Washer, 1/2" x 1/2"	49	8039P	*Hex Nut 1/4" - 20
24	2282P	Washer, 1/2" x 1/2"	50	8039P	*Hex Nut 1/4" - 20
25	2282P	Washer, 1/2" x 1/2"	51	8039P	*Hex Nut 1/4" - 20
26	2282P	Washer, 1/2" x 1/2"	52	8039P	*Hex Nut 1/4" - 20
			53	8039P	*Hex Nut 1/4" - 20
			54	8039P	*Hex Nut 1/4" - 20
			55	8039P	*Hex Nut 1/4" - 20
			56	8039P	*Hex Nut 1/4" - 20
			57	8039P	*Hex Nut 1/4" - 20
			58	8039P	*Hex Nut 1/4" - 20
			59	8039P	*Hex Nut 1/4" - 20
			60	8039P	*Hex Nut 1/4" - 20
			61	8039P	*Hex Nut 1/4" - 20
			62	8039P	*Hex Nut 1/4" - 20
			63	8039P	*Hex Nut 1/4" - 20
			64	8039P	*Hex Nut 1/4" - 20
			65	8039P	*Hex Nut 1/4" - 20
			66	8039P	*Hex Nut 1/4" - 20
			67	8039P	*Hex Nut 1/4" - 20
			68	8039P	*Hex Nut 1/4" - 20
			69	8039P	*Hex Nut 1/4" - 20
			70	8039P	*Hex Nut 1/4" - 20
			71	8039P	*Hex Nut 1/4" - 20
			72	8039P	*Hex Nut 1/4" - 20
			73	8039P	*Hex Nut 1/4" - 20
			74	8039P	*Hex Nut 1/4" - 20
			75	8039P	*Hex Nut 1/4" - 20
			76	8039P	*Hex Nut 1/4" - 20
			77	8039P	*Hex Nut 1/4" - 20
			78	8039P	*Hex Nut 1/4" - 20
			79	8039P	*Hex Nut 1/4" - 20
			80	8039P	*Hex Nut 1/4" - 20
			81	8039P	*Hex Nut 1/4" - 20
			82	8039P	*Hex Nut 1/4" - 20
			83	8039P	*Hex Nut 1/4" - 20
			84	8039P	*Hex Nut 1/4" - 20
			85	8039P	*Hex Nut 1/4" - 20
			86	8039P	*Hex Nut 1/4" - 20
			87	8039P	*Hex Nut 1/4" - 20
			88	8039P	*Hex Nut 1/4" - 20
			89	8039P	*Hex Nut 1/4" - 20
			90	8039P	*Hex Nut 1/4" - 20
			91	8039P	*Hex Nut 1/4" - 20
			92	8039P	*Hex Nut 1/4" - 20
			93	8039P	*Hex Nut 1/4" - 20
			94	8039P	*Hex Nut 1/4" - 20
			95	8039P	*Hex Nut 1/4" - 20
			96	8039P	*Hex Nut 1/4" - 20
			97	8039P	*Hex Nut 1/4" - 20
			98	8039P	*Hex Nut 1/4" - 20
			99	8039P	*Hex Nut 1/4" - 20
			100	8039P	*Hex Nut 1/4" - 20

\*STANDARD HARDWARE PURCHASE LOCALLY

**REPAIR PARTS**

36" RIDING LAWN TRACTOR—MODEL NUMBER LZ21BAR  
CLUTCH BRAKE & DRIVE



**REPAIR PARTS**

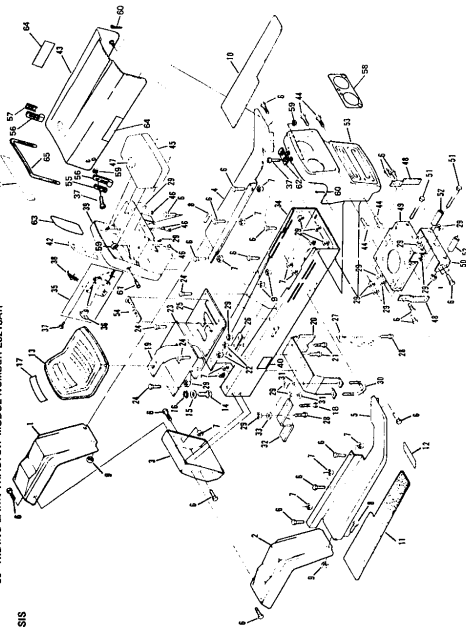
36" RIDING LAWN TRACTOR—MODEL NUMBER LZ21BAR  
CLUTCH BRAKE & DRIVE

KEY PART NO.	DESCRIPTION	KEY PART NO.	DESCRIPTION
1	Roller Guide	23	*Nut, Hex Head 5/16 - 18 x 3/4
2	*Nut, Lock 5/16 - 18	24	Roller
3	Screw, Hex Head w/Washer	25	*Nut, Lock 5/16 - 18
4	Screw, Hex Head w/Washer	26	*Nut, Hex Head 3/8 - 16 x 1 - 1/2
5	*Key, Woodruff No. 6	27	*Spring, 1.50" Dia. x 1.50" High
6	*Pulley, Transaxle	28	*Spring, 1.50" Dia. x 1.50" High
7	*Washer, 3/8 x .750 x .063	29	*Spring, 1.50" Dia. x 1.50" High
8	*Washer, 3/8 x .750 x .063	30	*Spring, 1.50" Dia. x 1.50" High
9	*Washer, 3/8 x .750 x .063	31	*Spring, 1.50" Dia. x 1.50" High
10	*Washer, 3/8 x .750 x .063	32	*Spring, 1.50" Dia. x 1.50" High
11	*Washer, 3/8 x .750 x .063	33	*Spring, 1.50" Dia. x 1.50" High
12	*Washer, 3/8 x .750 x .063	34	*Spring, 1.50" Dia. x 1.50" High
13	*Washer, 3/8 x .750 x .063	35	*Spring, 1.50" Dia. x 1.50" High
14	*Washer, 3/8 x .750 x .063	36	*Spring, 1.50" Dia. x 1.50" High
15	*Washer, 3/8 x .750 x .063	37	*Spring, 1.50" Dia. x 1.50" High
16	*Washer, 3/8 x .750 x .063	38	*Spring, 1.50" Dia. x 1.50" High
17	*Washer, 3/8 x .750 x .063	39	*Spring, 1.50" Dia. x 1.50" High
18	*Washer, 3/8 x .750 x .063	40	*Spring, 1.50" Dia. x 1.50" High
19	*Washer, 3/8 x .750 x .063	41	*Spring, 1.50" Dia. x 1.50" High
20	*Washer, 3/8 x .750 x .063	42	*Spring, 1.50" Dia. x 1.50" High
21	*Washer, 3/8 x .750 x .063	43	*Spring, 1.50" Dia. x 1.50" High
22	*Washer, 3/8 x .750 x .063	44	*Spring, 1.50" Dia. x 1.50" High

\*STANDARD HARDWARE—PURCHASE LOCALLY

**REPAIR PARTS**

36" RIDING LAWN TRACTOR—MODEL NUMBER LZ21BAR  
CHASSIS



**REPAIR PARTS**

36" RIDING LAWN TRACTOR—MODEL NUMBER LZ21BAR  
CHASSIS

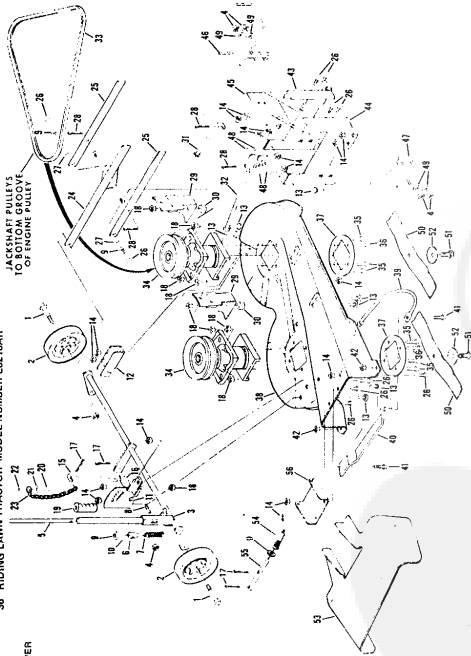
KEY PART NO.	DESCRIPTION	KEY PART NO.	DESCRIPTION
1	*Frame, L.H.	35	Throttle Control Lever (Inc. Key No. 28)
2	*Frame, R.H.	36	*Screw, Machine Cap 10 - 24 x 1/2
3	*Foot Rest, L.H.	37	*Screw, Machine Cap 10 - 24 x 1/2
4	*Foot Rest, R.H.	38	*Nut, Lock 1/2 - 18
5	*Nut, Lock 1/2 - 18	39	*Nut, Lock 1/2 - 18
6	*Nut, Lock 1/2 - 18	40	*Decal, "B"
7	*Nut, Lock 1/2 - 18	41	*Decal, "C"
8	*Nut, Lock 1/2 - 18	42	*Decal, "D"
9	*Nut, Lock 1/2 - 18	43	*Decal, "E"
10	*Nut, Lock 1/2 - 18	44	*Decal, "F"
11	*Nut, Lock 1/2 - 18	45	*Decal, "G"
12	*Nut, Lock 1/2 - 18	46	*Decal, "H"
13	*Nut, Lock 1/2 - 18	47	*Decal, "I"
14	*Nut, Lock 1/2 - 18	48	*Decal, "J"
15	*Nut, Lock 1/2 - 18	49	*Decal, "K"
16	*Nut, Lock 1/2 - 18	50	*Decal, "L"
17	*Nut, Lock 1/2 - 18	51	*Decal, "M"
18	*Nut, Lock 1/2 - 18	52	*Decal, "N"
19	*Nut, Lock 1/2 - 18	53	*Decal, "O"
20	*Nut, Lock 1/2 - 18	54	*Decal, "P"
21	*Nut, Lock 1/2 - 18	55	*Decal, "Q"
22	*Nut, Lock 1/2 - 18	56	*Decal, "R"
23	*Nut, Lock 1/2 - 18	57	*Decal, "S"
24	*Nut, Lock 1/2 - 18	58	*Decal, "T"
25	*Nut, Lock 1/2 - 18	59	*Decal, "U"
26	*Nut, Lock 1/2 - 18	60	*Decal, "V"
27	*Nut, Lock 1/2 - 18	61	*Decal, "W"
28	*Nut, Lock 1/2 - 18	62	*Decal, "X"
29	*Nut, Lock 1/2 - 18	63	*Decal, "Y"
30	*Nut, Lock 1/2 - 18	64	*Decal, "Z"
31	*Nut, Lock 1/2 - 18	65	*Decal, "AA"
32	*Nut, Lock 1/2 - 18	66	*Decal, "AB"
33	*Nut, Lock 1/2 - 18	67	*Decal, "AC"
34	*Nut, Lock 1/2 - 18	68	*Decal, "AD"

\*STANDARD HARDWARE—PURCHASE LOCALLY

**REPAIR PARTS**

38" RIDING LAWN TRACTOR—MODEL NUMBER LB21BAR

MOWER



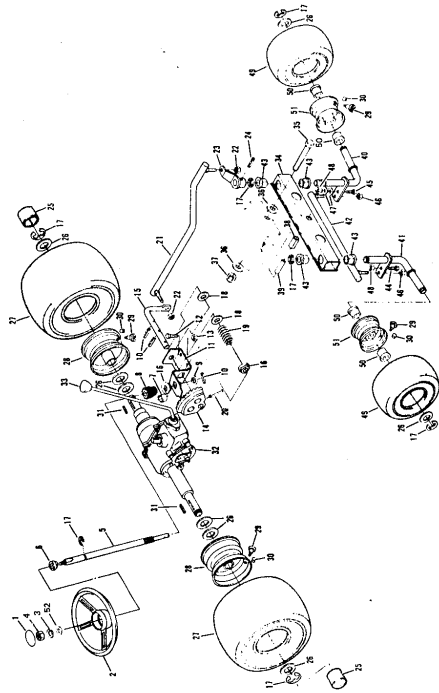
KEY NO.	PART NO.	DESCRIPTION
1	6053R	Axle Bolt
2	71071	Front Rod
3	71071	Front Rod Assembly
4	694A1	Nut, Lock 3/8 - 16
5	71071	Washer, 238 x .753 x .053
6	71071	Purser
7	71071	Washer, 238 x .753 x .053
8	44990	Spring Pin - Slotted 1/4 x 1 - 1/2
9	5999R	Washer, 238 x .753 x .053
10	72917	Clutch Assembly
11	72917	Clutch Assembly
12	597	Spring Pin - Slotted 1/4 x 1 - 1/2
13	597	Spring Pin - Slotted 1/4 x 1 - 1/2
14	6710R	Nut, Lock 5/16 - 18
15	6710R	Nut, Lock 5/16 - 18
16	71301	Washer, 238 x .753 x .053
17	71301	Washer, 238 x .753 x .053
18	71301	Washer, 238 x .753 x .053
19	71301	Washer, 238 x .753 x .053
20	71301	Washer, 238 x .753 x .053
21	71301	Washer, 238 x .753 x .053
22	71301	Washer, 238 x .753 x .053
23	71301	Washer, 238 x .753 x .053
24	71301	Washer, 238 x .753 x .053
25	71301	Washer, 238 x .753 x .053
26	71301	Washer, 238 x .753 x .053
27	71301	Washer, 238 x .753 x .053
28	2909P	Center Pin 1/8 x 1

\*STANDARD HARDWARE—PURCHASE LOCALLY

**REPAIR PARTS**

38" RIDING LAWN TRACTOR—MODEL NUMBER LB21BAR

STEERING & WHEELS

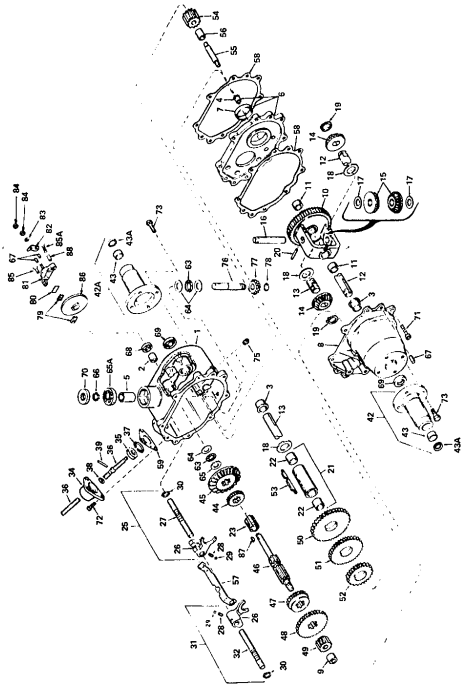


KEY NO.	PART NO.	DESCRIPTION
1	6053R	Axle Bolt
2	6053R	Axle Bolt
3	1000P	Steering Wheel
4	694A1	Nut, Lock 3/8 - 16
5	74279	Washer, 238 x .753 x .053
6	74279	Washer, 238 x .753 x .053
7	74279	Washer, 238 x .753 x .053
8	74279	Washer, 238 x .753 x .053
9	74279	Washer, 238 x .753 x .053
10	52739	Washer, 238 x .753 x .053
11	52739	Washer, 238 x .753 x .053
12	52739	Washer, 238 x .753 x .053
13	52739	Washer, 238 x .753 x .053
14	52739	Washer, 238 x .753 x .053
15	52739	Washer, 238 x .753 x .053
16	52739	Washer, 238 x .753 x .053
17	52739	Washer, 238 x .753 x .053
18	52739	Washer, 238 x .753 x .053
19	52739	Washer, 238 x .753 x .053
20	52739	Washer, 238 x .753 x .053
21	52739	Washer, 238 x .753 x .053
22	52739	Washer, 238 x .753 x .053
23	52739	Washer, 238 x .753 x .053
24	52739	Washer, 238 x .753 x .053
25	52739	Washer, 238 x .753 x .053
26	52739	Washer, 238 x .753 x .053
27	52739	Washer, 238 x .753 x .053
28	71653	Washer, 238 x .753 x .053

\*STANDARD HARDWARE—PURCHASE LOCALLY

**REPAIR PARTS**

36" RIDING LAWN TRACTOR-MODEL NUMBER L8218AR  
TRANSAKLE NO. 784191-MODEL NUMBER 143.658



**REPAIR PARTS**

36" RIDING LAWN TRACTOR-MODEL NUMBER L8218AR  
TRANSAKLE NO. 784191-MODEL NUMBER 143.658

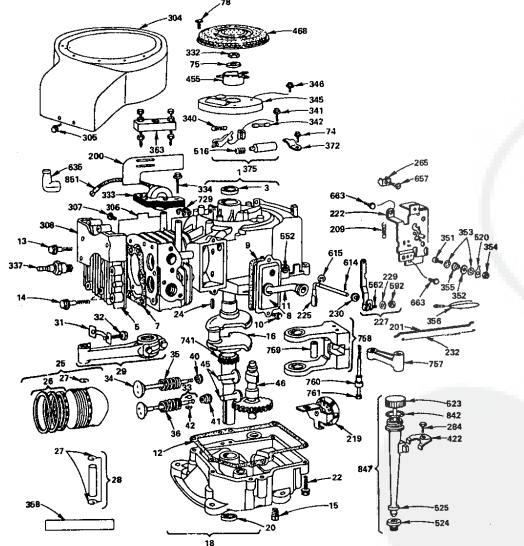
KEY NO.	PART NO.	DESCRIPTION	KEY NO.	PART NO.	DESCRIPTION
1	734191	Complete Transaxle	227	391733	Lever Assy. - Governor (For 1/4" Dia. Crank)
2	730093	Gear Assy. No. Transaxle (Inc. No. 2, 2.8 & 5)	229	220680	Washer - Flat
3	730094	Gasket - Valve Cover	230	224450	Washer - Gov. Lever (1 1/4" I.D.)
4	730095	Timing Belt	232	260584	Spring - Governor Link
5	730096	Timing Bracket	265	221535	Clamp - Casing
6	730097	Timing Cover	298	93084	Screw - Clamp Mtg.
7	730098	Timing Pulley	304	381379	Housing - Blower
8	730099	Timing Pulley (35T Teeth)	305	222830	Screw - Blower Housing Mounting Sem
9	730100	Timing Pulley (35T Teeth)	306	222830	Shield - Cylinder
10	730101	Timing Pulley (35T Teeth)	307	93153	Screw - Cylinder Shield Mtg. Sem
11	730102	Timing Pulley (35T Teeth)	308	222636	Cover - Cylinder Head
12	730103	Timing Pulley (35T Teeth)	322	93284	Nut - Flywheel
13	730104	Timing Pulley (35T Teeth)	333	238988	Armature Assembly
14	730105	Timing Pulley (35T Teeth)	334	93381	Screw - Armature Mounting Sem
15	730106	Timing Pulley (35T Teeth)	337	233918	Plug - Spark (1 - 1/2" High - 38 M.M. Resistor)
16	730107	Timing Pulley (35T Teeth)	340	20218	NOTE: Ignition Cable Terminal No. 221798
17	730108	Timing Pulley (35T Teeth)	341	93381	Spring - Breaker Arm
18	730109	Timing Pulley (35T Teeth)	342	65704	Screw - Breaker Arm Mounting Sem
19	730110	Timing Pulley (35T Teeth)	343	65704	Plunger - Breaker Point
20	730111	Timing Pulley (35T Teeth)	345	221117	Cover - Breaker Point
21	730112	Timing Pulley (35T Teeth)	346	93014	Screw - Sem
22	730113	Timing Pulley (35T Teeth)	351	93755	Screw - Terminal
23	730114	Timing Pulley (35T Teeth)	352	69068	Washer - Insulating
24	730115	Timing Pulley (35T Teeth)	353	93791	Washer - Lock Shakerproof
25	730116	Timing Pulley (35T Teeth)	354	96576	Nut - Hex 8 - 32
26	730117	Timing Pulley (35T Teeth)	355	95554	Collar - Insulating
27	730118	Timing Pulley (35T Teeth)	356	299500	Wire - Ground
28	730119	Timing Pulley (35T Teeth)	358	299577	Gasket Set
29	730120	Timing Pulley (35T Teeth)	363	19165	Pusher - Flywheel
30	730121	Timing Pulley (35T Teeth)	372	220477	Clamp - Condenser
31	730122	Timing Pulley (35T Teeth)	375	238428	Breaker Points and Condenser Set
32	730123	Timing Pulley (35T Teeth)	422	NOTE: 299081 Ignition Kit Includes 294626 Point Set, 65704 Plunger, 61760 Key, Flywheel	
33	730124	Timing Pulley (35T Teeth)	455	227561	Clamp - Oil Filler Tube
34	730125	Timing Pulley (35T Teeth)	468	227562	Cup - Screen Mounting
35	730126	Timing Pulley (35T Teeth)	523	381840	Screen - Flush Rotating
36	730127	Timing Pulley (35T Teeth)	524	68838	Seal - Filler Tube
37	730128	Timing Pulley (35T Teeth)	525	90113	Tube - Oil Filler
38	730129	Timing Pulley (35T Teeth)	562	231055	Bushing - Gov. Crank (1 1/4" I.D.)
39	730130	Timing Pulley (35T Teeth)	567	231082	Nut - Hex 10 - 24
40	730131	Timing Pulley (35T Teeth)	614	93306	Cotter - Hair Pin
41	730132	Timing Pulley (35T Teeth)	615	93307	Retainer - E-Ring
42	730133	Timing Pulley (35T Teeth)	635	66538	Elbow - Spark Plug
43	730134	Timing Pulley (35T Teeth)	657	93490	Screw - Sem
44	730135	Timing Pulley (35T Teeth)	663	93572	Screw
45	730136	Timing Pulley (35T Teeth)	729	22190	Clip - Wire
46	730137	Timing Pulley (35T Teeth)	741	261195	Gear - Timing
47	730138	Timing Pulley (35T Teeth)	757	211875	Link - Counterweight
48	730139	Timing Pulley (35T Teeth)	768	390172	Counterweight Assy.
49	730140	Timing Pulley (35T Teeth)	759	268909	Pin - Counterweight
50	730141	Timing Pulley (35T Teeth)	760	238940	Spacer - Counterweight
51	730142	Timing Pulley (35T Teeth)	761	93874	Screw - Counterweight
52	730143	Timing Pulley (35T Teeth)	842	220920	Seal - Filler Cap
53	730144	Timing Pulley (35T Teeth)	843	382066	Filler Group - Oil
54	730145	Timing Pulley (35T Teeth)	851	221798	Terminal - Ignition Cable
55	730146	Timing Pulley (35T Teeth)			INCLUDED IN GASKET SET - PART NO. 299577

**REPAIR PARTS**

36" RIDING LAWN TRACTOR-MODEL NUMBER L8218AR  
BRIGGS & STRATTON 8 H.P. ENGINE-MODEL NO. 191707, TYPE NO. 5627-01

**CYLINDER, CRANKSHAFT AND ENGINE BASE GROUP**

ALL ENGINE PARTS MUST BE PURCHASED THROUGH AND SERVICE PERFORMED BY YOUR LOCAL BRIGGS AND STRATTON DEALER.



**REPAIR PARTS**

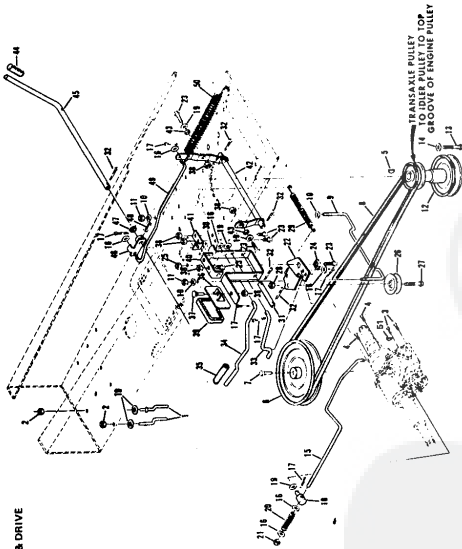
36" RIDING LAWN TRACTOR-MODEL NUMBER L8218AR  
BRIGGS & STRATTON 8 H.P. ENGINE-MODEL NO. 191707, TYPE NO. 5627-01

KEY NO.	PART NO.	DESCRIPTION	KEY NO.	PART NO.	DESCRIPTION
1	392005	Cylinder Assembly (Inc. Key No. 3)	227	391733	Lever Assy. - Governor (For 1/4" Dia. Crank)
2	391726	Shafting - Cylinder	229	220680	Washer - Flat
3	294606	Seal - Oil	230	224450	Washer - Gov. Lever (1 1/4" I.D.)
4	212285	Head - Cylinder	232	260584	Spring - Governor Link
5	270430	Gasket - Cylinder	265	221535	Clamp - Casing
6	391406	Breather Tube Assembly	298	93084	Screw - Clamp Mtg.
7	278023	Gasket - Valve Cover	304	381379	Housing - Blower
8	93304	Screw - Sem	305	222830	Screw - Blower Housing Mounting Sem
9	280005	Tube - Breather	306	222830	Shield - Cylinder
10	27750	*Gasket - Crankcase Cover - 1/84"	307	93153	Screw - Cylinder Shield Mtg. Sem
11	27750	Thick	308	222636	Cover - Cylinder Head
12	27876	*Gasket - Crankcase Cover - .005"	322	93284	Nut - Flywheel
13	27877	Thin	333	238988	Armature Assembly
14	93211	*Gasket - Crankcase Cover - .008"	334	93381	Screw - Armature Mounting Sem
15	93211	Thin	337	233918	Plug - Spark (1 - 1/2" High - 38 M.M. Resistor)
16	93211	Long	340	20218	NOTE: Ignition Cable Terminal No. 221798
17	93723	Screw - Cylinder Head (3" Long)	341	93381	Spring - Breaker Arm
18	91094	Plug - Oil Drain	342	65704	Screw - Breaker Arm Mounting Sem
19	391752	Crankshaft	343	65704	Plunger - Breaker Point
20	298516	Pump - Oil (Inc. Key No. 12 & 20)	345	221117	Cover - Breaker Point
21	298423	Seal - Oil	346	93014	Screw - Sem
22	83685	Screw - Pump	351	93755	Screw - Terminal
23	81760	Key - Flywheel	352	69068	Washer - Insulating
24	391673	Piston Assy. - Std.	353	93791	Washer - Lock Shakerproof
25	391674	Piston Assy. - .010" O.S.	354	96576	Nut - Hex 8 - 32
26	391675	Piston Assy. - .020" O.S.	355	95554	Collar - Insulating
27	391676	Piston Assy. - .030" O.S.	356	299500	Wire - Ground
28	391677	Ring Set - Piston - Std.	358	299577	Gasket Set
29	391678	Ring Set - Piston - .010" O.S.	363	19165	Pusher - Flywheel
30	391679	Ring Set - Piston - .020" O.S.	372	220477	Clamp - Condenser
31	391680	Ring Set - Piston - .030" O.S.	375	238428	Breaker Points and Condenser Set
32	68546	Lock - Piston Pin	422	NOTE: 299081 Ignition Kit Includes 294626 Point Set, 65704 Plunger, 61760 Key, Flywheel	
33	205840	Pin Assembly - Piston - Standard	455	227561	Clamp - Oil Filler Tube
34	285841	Pin Assembly - Piston - .005" O.S.	468	227562	Cup - Screen Mounting
35	390402	Rod Assy. - Connecting	523	381840	Screen - Flush Rotating
36	22114	Screw - Connecting Rod Screw	524	68838	Seal - Filler Tube
37	390419	Valve - Exhaust	525	90113	Tube - Oil Filler
38	281055	Valve - Intake	562	231055	Bushing - Gov. Crank (1 1/4" I.D.)
39	69906	Spring - Intake Valve	567	231082	Nut - Hex 10 - 24
40	35838	Spring - Exhaust Valve	614	93306	Cotter - Hair Pin
41	221596	Retainer - Intake Valve	615	93307	Retainer - E-Ring
42	282760	Rotocool - Exhaust Valve	635	66538	Elbow - Spark Plug
43	93830	Rotocool - Exhaust Valve Rotocool	657	93490	Screw - Sem
44	290333	Tappet - Valve	663	93572	Screw
45	211689	Gear - Cam	729	22190	Clip - Wire
46	93042	Screw - Sems	741	261195	Gear - Timing
47	220685	Washer - Spring	757	211875	Link - Counterweight
48	93809	Screw - Sem	768	390172	Counterweight Assy.
49	221760	Guide - Air	759	268909	Pin - Counterweight
50	262071	Link - Governor	760	238940	Spacer - Counterweight
51	261308	Spring - Governor	761	93874	Screw - Counterweight
52	392718	Oil Slinger - Gov. Gear and Bracket Assembly	842	220920	Seal - Filler Cap
53	390662	Plate - Gov. Control	843	382066	Filler Group - Oil
54	231098	Crank - Gov. (1 1/4" Dia.)	851	221798	Terminal - Ignition Cable



**REPAIR PARTS**

36" RIDING LAWN TRACTOR-MODEL NUMBER L8218BR  
CLUTCH-BRAKE & DRIVE



**REPAIR PARTS**

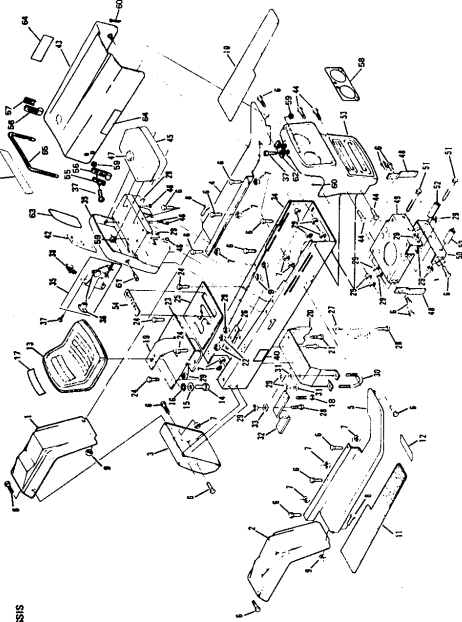
36" RIDING LAWN TRACTOR-MODEL NUMBER L8218BR  
CLUTCH-BRAKE & DRIVE

KEY PART NO.	DESCRIPTION	KEY PART NO.	DESCRIPTION
1	Pin Guide	24	*Nut, Hex Head 5/16 - 18 x 3/4
2	Washer, .009 x .875 x .003	25	Washer, .009 x .875 x .003
3	Washer, .009 x .875 x .003	26	Washer, .009 x .875 x .003
4	Washer, .009 x .875 x .003	27	Washer, .009 x .875 x .003
5	Washer, .009 x .875 x .003	28	Washer, .009 x .875 x .003
6	Washer, .009 x .875 x .003	29	Washer, .009 x .875 x .003
7	Washer, .009 x .875 x .003	30	Washer, .009 x .875 x .003
8	Washer, .009 x .875 x .003	31	Washer, .009 x .875 x .003
9	Washer, .009 x .875 x .003	32	Washer, .009 x .875 x .003
10	Washer, .009 x .875 x .003	33	Washer, .009 x .875 x .003
11	Washer, .009 x .875 x .003	34	Washer, .009 x .875 x .003
12	Washer, .009 x .875 x .003	35	Washer, .009 x .875 x .003
13	Washer, .009 x .875 x .003	36	Washer, .009 x .875 x .003
14	Washer, .009 x .875 x .003	37	Washer, .009 x .875 x .003
15	Washer, .009 x .875 x .003	38	Washer, .009 x .875 x .003
16	Washer, .009 x .875 x .003	39	Washer, .009 x .875 x .003
17	Washer, .009 x .875 x .003	40	Washer, .009 x .875 x .003
18	Washer, .009 x .875 x .003	41	Washer, .009 x .875 x .003
19	Washer, .009 x .875 x .003	42	Washer, .009 x .875 x .003
20	Washer, .009 x .875 x .003	43	Washer, .009 x .875 x .003
21	Washer, .009 x .875 x .003	44	Washer, .009 x .875 x .003
22	Washer, .009 x .875 x .003	45	Washer, .009 x .875 x .003
23	Washer, .009 x .875 x .003	46	Washer, .009 x .875 x .003
24	Washer, .009 x .875 x .003	47	Washer, .009 x .875 x .003
25	Washer, .009 x .875 x .003	48	Washer, .009 x .875 x .003
26	Washer, .009 x .875 x .003	49	Washer, .009 x .875 x .003
27	Washer, .009 x .875 x .003	50	Washer, .009 x .875 x .003
28	Washer, .009 x .875 x .003	51	Washer, .009 x .875 x .003

\*STANDARD HARDWARE PURCHASE LOCALLY

**REPAIR PARTS**

36" RIDING LAWN TRACTOR-MODEL NUMBER L8218BR  
CHASSIS



**REPAIR PARTS**

36" RIDING LAWN TRACTOR-MODEL NUMBER L8218BR  
CHASSIS

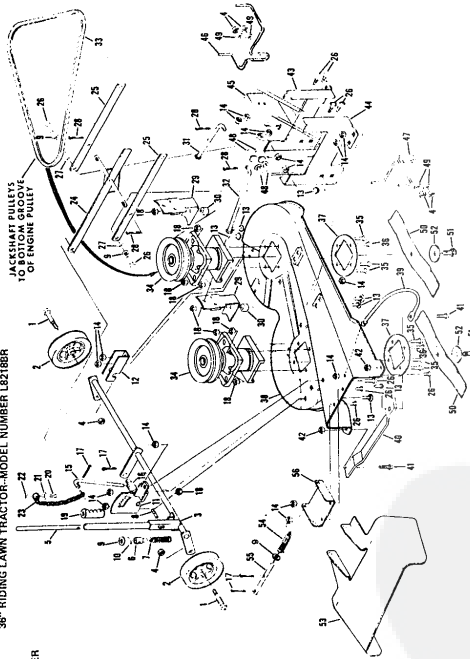
KEY PART NO.	DESCRIPTION	KEY PART NO.	DESCRIPTION
1	Frame, L.H.	35	Thrasher Control Lever Link
2	Frame, R.H.	36	*Key No. 366
3	Front Foot Rest, L.H.	37	*Screw, Machine No. 10, 24 x 1.2
4	Front Foot Rest, R.H.	38	*Nut, Speed No. 10, 24
5	*Nut, Lock 5/16 - 18 x 3/4	39	*Screw, Machine No. 10, 24 x 1.2
6	*Nut, Lock 5/16 - 18 x 3/4	40	*Screw, Machine No. 10, 24 x 1.2
7	*Nut, Lock 5/16 - 18 x 3/4	41	*Screw, Machine No. 10, 24 x 1.2
8	*Nut, Lock 5/16 - 18 x 3/4	42	*Screw, Machine No. 10, 24 x 1.2
9	*Nut, Lock 5/16 - 18 x 3/4	43	*Screw, Machine No. 10, 24 x 1.2
10	*Nut, Lock 5/16 - 18 x 3/4	44	*Screw, Machine No. 10, 24 x 1.2
11	*Nut, Lock 5/16 - 18 x 3/4	45	*Screw, Machine No. 10, 24 x 1.2
12	*Nut, Lock 5/16 - 18 x 3/4	46	*Screw, Machine No. 10, 24 x 1.2
13	*Nut, Lock 5/16 - 18 x 3/4	47	*Screw, Machine No. 10, 24 x 1.2
14	*Nut, Lock 5/16 - 18 x 3/4	48	*Screw, Machine No. 10, 24 x 1.2
15	*Nut, Lock 5/16 - 18 x 3/4	49	*Screw, Machine No. 10, 24 x 1.2
16	*Nut, Lock 5/16 - 18 x 3/4	50	*Screw, Machine No. 10, 24 x 1.2
17	*Nut, Lock 5/16 - 18 x 3/4	51	*Screw, Machine No. 10, 24 x 1.2
18	*Nut, Lock 5/16 - 18 x 3/4	52	*Screw, Machine No. 10, 24 x 1.2
19	*Nut, Lock 5/16 - 18 x 3/4	53	*Screw, Machine No. 10, 24 x 1.2
20	*Nut, Lock 5/16 - 18 x 3/4	54	*Screw, Machine No. 10, 24 x 1.2
21	*Nut, Lock 5/16 - 18 x 3/4	55	*Screw, Machine No. 10, 24 x 1.2
22	*Nut, Lock 5/16 - 18 x 3/4	56	*Screw, Machine No. 10, 24 x 1.2
23	*Nut, Lock 5/16 - 18 x 3/4	57	*Screw, Machine No. 10, 24 x 1.2
24	*Nut, Lock 5/16 - 18 x 3/4	58	*Screw, Machine No. 10, 24 x 1.2
25	*Nut, Lock 5/16 - 18 x 3/4	59	*Screw, Machine No. 10, 24 x 1.2
26	*Nut, Lock 5/16 - 18 x 3/4	60	*Screw, Machine No. 10, 24 x 1.2
27	*Nut, Lock 5/16 - 18 x 3/4	61	*Screw, Machine No. 10, 24 x 1.2
28	*Nut, Lock 5/16 - 18 x 3/4	62	*Screw, Machine No. 10, 24 x 1.2
29	*Nut, Lock 5/16 - 18 x 3/4	63	*Screw, Machine No. 10, 24 x 1.2
30	*Nut, Lock 5/16 - 18 x 3/4	64	*Screw, Machine No. 10, 24 x 1.2
31	*Nut, Lock 5/16 - 18 x 3/4	65	*Screw, Machine No. 10, 24 x 1.2
32	*Nut, Lock 5/16 - 18 x 3/4	66	*Screw, Machine No. 10, 24 x 1.2
33	*Nut, Lock 5/16 - 18 x 3/4	67	*Screw, Machine No. 10, 24 x 1.2
34	*Nut, Lock 5/16 - 18 x 3/4	68	*Screw, Machine No. 10, 24 x 1.2
35	*Nut, Lock 5/16 - 18 x 3/4	69	*Screw, Machine No. 10, 24 x 1.2
36	*Nut, Lock 5/16 - 18 x 3/4	70	*Screw, Machine No. 10, 24 x 1.2
37	*Nut, Lock 5/16 - 18 x 3/4	71	*Screw, Machine No. 10, 24 x 1.2
38	*Nut, Lock 5/16 - 18 x 3/4	72	*Screw, Machine No. 10, 24 x 1.2
39	*Nut, Lock 5/16 - 18 x 3/4	73	*Screw, Machine No. 10, 24 x 1.2
40	*Nut, Lock 5/16 - 18 x 3/4	74	*Screw, Machine No. 10, 24 x 1.2
41	*Nut, Lock 5/16 - 18 x 3/4	75	*Screw, Machine No. 10, 24 x 1.2
42	*Nut, Lock 5/16 - 18 x 3/4	76	*Screw, Machine No. 10, 24 x 1.2
43	*Nut, Lock 5/16 - 18 x 3/4	77	*Screw, Machine No. 10, 24 x 1.2
44	*Nut, Lock 5/16 - 18 x 3/4	78	*Screw, Machine No. 10, 24 x 1.2
45	*Nut, Lock 5/16 - 18 x 3/4	79	*Screw, Machine No. 10, 24 x 1.2
46	*Nut, Lock 5/16 - 18 x 3/4	80	*Screw, Machine No. 10, 24 x 1.2
47	*Nut, Lock 5/16 - 18 x 3/4	81	*Screw, Machine No. 10, 24 x 1.2
48	*Nut, Lock 5/16 - 18 x 3/4	82	*Screw, Machine No. 10, 24 x 1.2
49	*Nut, Lock 5/16 - 18 x 3/4	83	*Screw, Machine No. 10, 24 x 1.2
50	*Nut, Lock 5/16 - 18 x 3/4	84	*Screw, Machine No. 10, 24 x 1.2
51	*Nut, Lock 5/16 - 18 x 3/4	85	*Screw, Machine No. 10, 24 x 1.2

\*STANDARD HARDWARE PURCHASE LOCALLY

**REPAIR PARTS**

36" RIDING LAWN TRACTOR—MODEL NUMBER L8218BR

MOWER



**REPAIR PARTS**

36" RIDING LAWN TRACTOR—MODEL NUMBER L8218BR

MOWER

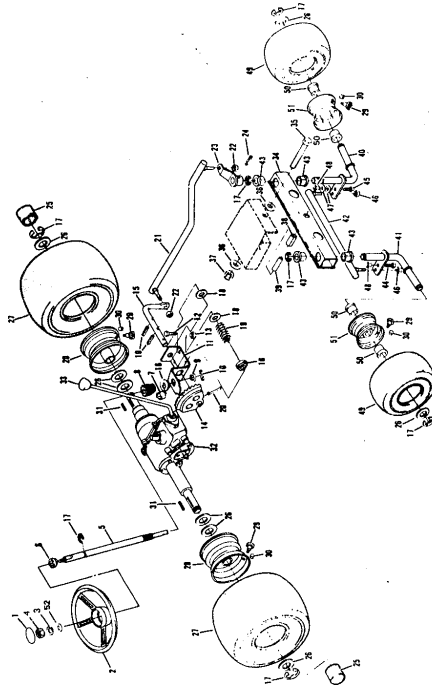
KEY NO.	PART NO.	DESCRIPTION	KEY NO.	PART NO.	DESCRIPTION
2	65528	Axe Bolt	20	71822	Blade Discharge Assembly
3	71821	Pin Rod Assembly	21	71825	Blade Spring
4	71822	Pin Rod	22	71826	Blade Spring L.H.
5	73983	Lock 3/8" x 1/8"	23	62820	Blade Spring R.H.
6	71823	Pin Rod	24	71827	Blade Spring L.H.
7	71824	Pin Rod	25	71828	Blade Spring R.H.
8	54880	Spring Pin - Slotted 1/4 x 1 1/2	26	30227	Blade Spring L.H.
9	54881	Spring Pin - Slotted 1/4 x 1 1/2	27	30228	Blade Spring R.H.
10	52970	Spring Pin 1/8 x 5/8	28	67743	Blade Spring L.H.
11	52971	Spring Pin 1/8 x 5/8	29	67744	Blade Spring R.H.
12	62327	Pin Rod Support	30	74016	Blade Spring L.H.
13	159	Pin Rod	31	54827	Blade Spring R.H.
14	159	Pin Rod	32	71225	Blade Spring L.H.
15	71200	Adjustment Rod	33	71226	Blade Spring R.H.
16	62235	Pin Rod	34	71227	Blade Spring L.H.
17	23759	Pin Rod	35	71228	Blade Spring R.H.
18	62235	Pin Rod	36	71229	Blade Spring L.H.
19	62235	Pin Rod	37	71230	Blade Spring R.H.
20	23759	Pin Rod	38	199	Blade Spring L.H.
21	65329	Pin Rod	39	199	Blade Spring R.H.
22	53800	Pin Rod	40	71231	Blade Spring L.H.
23	72915	Pin Rod	41	71232	Blade Spring R.H.
24	72915	Pin Rod	42	71233	Blade Spring L.H.
25	72915	Pin Rod	43	71234	Blade Spring R.H.
26	30109	Blade	44	71235	Blade Spring L.H.
27	71815	Blade	45	71236	Blade Spring R.H.
28	73507	Blade	46	199	Blade Spring L.H.
			47	199	Blade Spring R.H.
			48	199	Blade Spring L.H.
			49	199	Blade Spring R.H.
			50	71237	Blade Spring L.H.
			51	71238	Blade Spring R.H.
			52	71239	Blade Spring L.H.
			53	71240	Blade Spring R.H.
			54	71241	Blade Spring L.H.
			55	71242	Blade Spring R.H.
			56	71243	Blade Spring L.H.

\*STANDARD HARDWARE—PURCHASE LOCALLY

**REPAIR PARTS**

36" RIDING LAWN TRACTOR—MODEL NUMBER L8218BR

STEERING & WHEELS



**REPAIR PARTS**

36" RIDING LAWN TRACTOR—MODEL NUMBER L8218BR

STEERING AND WHEELS

KEY NO.	PART NO.	DESCRIPTION	KEY NO.	PART NO.	DESCRIPTION
1	11141	Steering Wheel Inset	29	65139	Valve Stem
2	5001	Steering Wheel	30	50192	Valve Cap
3	5002	Steering Wheel Nut	31	70415	Valve Spring
4	5003	Steering Wheel Bolt	32	70415 A	Valve Spring Assembly
5	5004	Steering Wheel Washer	33	71207	Transaxle Assembly
6	71210	Steering Shaft	34	71170	Transaxle Assembly
7	71211	Steering Shaft Nut	35	71171	Transaxle Assembly
8	71212	Steering Shaft Washer	36	59194	Transaxle Assembly
9	69395	Steering Shaft Seal	37	67159	Transaxle Assembly
10	69396	Steering Shaft Seal	38	67160	Transaxle Assembly
11	30709	Steering Shaft Seal	39	71188	Transaxle Assembly
12	30710	Steering Shaft Seal	40	71189	Transaxle Assembly
13	30711	Steering Shaft Seal	41	72327	Transaxle Assembly
14	71172	Steering Shaft Seal	42	71182	Transaxle Assembly
15	71173	Steering Shaft Seal	43	71183	Transaxle Assembly
16	71208	Steering Shaft Seal	44	30719	Transaxle Assembly
17	52913	Steering Shaft Seal	45	30720	Transaxle Assembly
18	52914	Steering Shaft Seal	46	67882	Transaxle Assembly
19	72888	Steering Shaft Seal	47	67883	Transaxle Assembly
20	71210	Steering Shaft Seal	48	69543	Transaxle Assembly
21	71211	Steering Shaft Seal	49	71851	Transaxle Assembly
22	71212	Steering Shaft Seal	50	6301	Transaxle Assembly
23	62073	Steering Shaft Seal	51	6302	Transaxle Assembly
24	62074	Steering Shaft Seal	52	53822	Transaxle Assembly
25	19119	Steering Shaft Seal			
26	19120	Steering Shaft Seal			
27	71653	Steering Shaft Seal			
28	71652	Steering Shaft Seal			

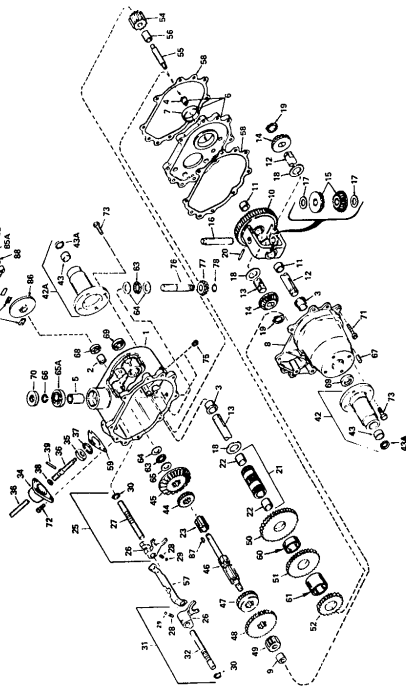
\*STANDARD HARDWARE—PURCHASE LOCALLY



**REPAIR PARTS**

36" RIDING LAWN TRACTOR-MODEL NUMBER L8218BR  
 TRANSAXLE NO. 794191A-MODEL NUMBER 143.658A

ALL TRANSALE PARTS MUST  
 BE PURCHASED THROUGH YOUR  
 LOCAL EQUIPMENT DEALER



**REPAIR PARTS**

36" RIDING LAWN TRACTOR-MODEL NUMBER L8218BR  
 TRANSAXLE NO. 794191A-MODEL NUMBER 143.658A

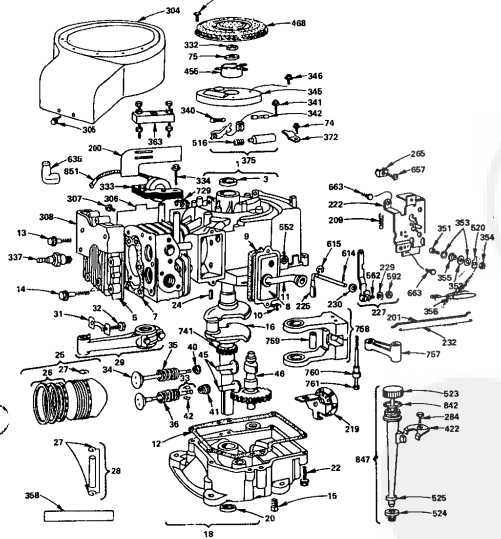
KEY NO.	PART NO.	DESCRIPTION	KEY NO.	PART NO.	DESCRIPTION
1	794191A	Complete Transaxle (Inc. No. 2, 3 & 5)	46	778232	Gov. Bevel (25 Teeth)
2	780088	Bushing - Cylinder	47	778688	Gov. Shaft (2 1/2 x 1/2)
3	212286	Head - Cylinder	48	778688	Gov. Shaft (2 1/2 x 1/2)
4	212286	Head - Cylinder	49	778688	Gov. Shaft (2 1/2 x 1/2)
5	212286	Head - Cylinder	50	778688	Gov. Shaft (2 1/2 x 1/2)
6	212286	Head - Cylinder	51	778688	Gov. Shaft (2 1/2 x 1/2)
7	212286	Head - Cylinder	52	778688	Gov. Shaft (2 1/2 x 1/2)
8	212286	Head - Cylinder	53	778688	Gov. Shaft (2 1/2 x 1/2)
9	212286	Head - Cylinder	54	778688	Gov. Shaft (2 1/2 x 1/2)
10	212286	Head - Cylinder	55	778688	Gov. Shaft (2 1/2 x 1/2)
11	212286	Head - Cylinder	56	778688	Gov. Shaft (2 1/2 x 1/2)
12	212286	Head - Cylinder	57	778688	Gov. Shaft (2 1/2 x 1/2)
13	212286	Head - Cylinder	58	778688	Gov. Shaft (2 1/2 x 1/2)
14	212286	Head - Cylinder	59	778688	Gov. Shaft (2 1/2 x 1/2)
15	212286	Head - Cylinder	60	778688	Gov. Shaft (2 1/2 x 1/2)
16	212286	Head - Cylinder	61	778688	Gov. Shaft (2 1/2 x 1/2)
17	212286	Head - Cylinder	62	778688	Gov. Shaft (2 1/2 x 1/2)
18	212286	Head - Cylinder	63	778688	Gov. Shaft (2 1/2 x 1/2)
19	212286	Head - Cylinder	64	778688	Gov. Shaft (2 1/2 x 1/2)
20	212286	Head - Cylinder	65	778688	Gov. Shaft (2 1/2 x 1/2)
21	212286	Head - Cylinder	66	778688	Gov. Shaft (2 1/2 x 1/2)
22	212286	Head - Cylinder	67	778688	Gov. Shaft (2 1/2 x 1/2)
23	212286	Head - Cylinder	68	778688	Gov. Shaft (2 1/2 x 1/2)
24	212286	Head - Cylinder	69	778688	Gov. Shaft (2 1/2 x 1/2)
25	212286	Head - Cylinder	70	778688	Gov. Shaft (2 1/2 x 1/2)
26	212286	Head - Cylinder	71	778688	Gov. Shaft (2 1/2 x 1/2)
27	212286	Head - Cylinder	72	778688	Gov. Shaft (2 1/2 x 1/2)
28	212286	Head - Cylinder	73	778688	Gov. Shaft (2 1/2 x 1/2)
29	212286	Head - Cylinder	74	778688	Gov. Shaft (2 1/2 x 1/2)
30	212286	Head - Cylinder	75	778688	Gov. Shaft (2 1/2 x 1/2)
31	212286	Head - Cylinder	76	778688	Gov. Shaft (2 1/2 x 1/2)
32	212286	Head - Cylinder	77	778688	Gov. Shaft (2 1/2 x 1/2)
33	212286	Head - Cylinder	78	778688	Gov. Shaft (2 1/2 x 1/2)
34	212286	Head - Cylinder	79	778688	Gov. Shaft (2 1/2 x 1/2)
35	212286	Head - Cylinder	80	778688	Gov. Shaft (2 1/2 x 1/2)
36	212286	Head - Cylinder	81	778688	Gov. Shaft (2 1/2 x 1/2)
37	212286	Head - Cylinder	82	778688	Gov. Shaft (2 1/2 x 1/2)
38	212286	Head - Cylinder	83	778688	Gov. Shaft (2 1/2 x 1/2)
39	212286	Head - Cylinder	84	778688	Gov. Shaft (2 1/2 x 1/2)
40	212286	Head - Cylinder	85	778688	Gov. Shaft (2 1/2 x 1/2)
41	212286	Head - Cylinder	86	778688	Gov. Shaft (2 1/2 x 1/2)
42	212286	Head - Cylinder	87	778688	Gov. Shaft (2 1/2 x 1/2)
43	212286	Head - Cylinder	88	778688	Gov. Shaft (2 1/2 x 1/2)
44	212286	Head - Cylinder	89	778688	Gov. Shaft (2 1/2 x 1/2)
45	212286	Head - Cylinder	90	778688	Gov. Shaft (2 1/2 x 1/2)
46	212286	Head - Cylinder	91	778688	Gov. Shaft (2 1/2 x 1/2)
47	212286	Head - Cylinder	92	778688	Gov. Shaft (2 1/2 x 1/2)
48	212286	Head - Cylinder	93	778688	Gov. Shaft (2 1/2 x 1/2)
49	212286	Head - Cylinder	94	778688	Gov. Shaft (2 1/2 x 1/2)
50	212286	Head - Cylinder	95	778688	Gov. Shaft (2 1/2 x 1/2)
51	212286	Head - Cylinder	96	778688	Gov. Shaft (2 1/2 x 1/2)
52	212286	Head - Cylinder	97	778688	Gov. Shaft (2 1/2 x 1/2)
53	212286	Head - Cylinder	98	778688	Gov. Shaft (2 1/2 x 1/2)
54	212286	Head - Cylinder	99	778688	Gov. Shaft (2 1/2 x 1/2)
55	212286	Head - Cylinder	100	778688	Gov. Shaft (2 1/2 x 1/2)

**REPAIR PARTS**

36" RIDING LAWN TRACTOR-MODEL NUMBER L8218BR  
 BRIGGS & STRATTON 8 H.P. ENGINE-MODEL NO. 191707, TYPE NO. 5627-01

CYLINDER, CRANKSHAFT AND ENGINE BASE GROUP

ALL ENGINE PARTS MUST BE PURCHASED THROUGH AND SERVICE PERFORMED BY YOUR LOCAL BRIGGS & STRATTON DEALER



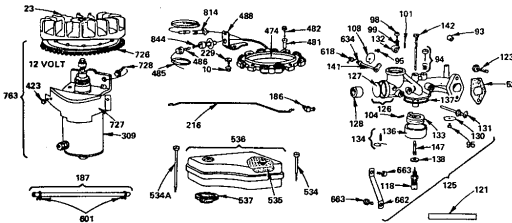
**REPAIR PARTS**

36" RIDING LAWN TRACTOR-MODEL NUMBER L8218BR  
 BRIGGS & STRATTON 8 H.P. ENGINE-MODEL NO. 191707, TYPE NO. 5627-01

KEY NO.	PART NO.	DESCRIPTION	KEY NO.	PART NO.	DESCRIPTION
1	392005	Cylinder Assembly (Inc. Key No. 3)	227	391733	Lever Assy. - Governor (For 1/4" Dia Crank)
2	391726	Bushing - Cylinder	228	220680	Washer - Flat
3	294606	Seal - Oil	229	224450	Washer - Gov. Lever Link (1/4" I.D.)
4	212286	Head - Cylinder	230	220680	Spring - Governor Link
5	212286	Head - Cylinder	231	220680	Spring - Governor Link
6	212286	Head - Cylinder	232	220680	Spring - Governor Link
7	212286	Head - Cylinder	233	220680	Spring - Governor Link
8	391406	Breather Tube Assembly	234	220680	Spring - Governor Link
9	212286	Head - Cylinder	235	220680	Spring - Governor Link
10	93394	Screw - Sem	236	220680	Spring - Governor Link
11	280005	Tube - Breather	237	220680	Spring - Governor Link
12	27750	*Gasket - Crankcase Cover - 1/64" Thick	238	220680	Spring - Governor Link
13	27876	*Gasket - Crankcase Cover - .005" Thick	239	220680	Spring - Governor Link
14	27877	*Gasket - Crankcase Cover - .009" Thick	240	220680	Spring - Governor Link
15	93211	Screw - Cylinder Head (2 - 21/32" Long)	241	220680	Spring - Governor Link
16	93723	Screw - Cylinder Head (3" Long)	242	220680	Spring - Governor Link
17	91084	Plug - Oil Drain	243	220680	Spring - Governor Link
18	391757	Crankshaft	244	220680	Spring - Governor Link
19	298516	Pump - Oil (Inc. Key No. 12 & 20)	245	220680	Spring - Governor Link
20	298423	Seal - Oil	246	220680	Spring - Governor Link
21	93585	Screw - Pump	247	220680	Spring - Governor Link
22	61760	Key - Flywheel	248	220680	Spring - Governor Link
23	391673	Piston Assy. - Std.	249	220680	Spring - Governor Link
24	391674	Piston Assy. - .010" O.S.	250	220680	Spring - Governor Link
25	391675	Piston Assy. - .020" O.S.	251	220680	Spring - Governor Link
26	391676	Piston Assy. - .030" O.S.	252	220680	Spring - Governor Link
27	391677	Piston Assy. - .040" O.S.	253	220680	Spring - Governor Link
28	299743	Ring Set - Piston - Std. Chrome	254	220680	Spring - Governor Link
29	391670	Ring Set - Piston - .010" O.S.	255	220680	Spring - Governor Link
30	391671	Ring Set - Piston - .020" O.S.	256	220680	Spring - Governor Link
31	391672	Ring Set - Piston - .030" O.S.	257	220680	Spring - Governor Link
32	68546	Lock - Piston Pin	258	220680	Spring - Governor Link
33	295840	Pin Assembly - Piston - Standard	259	220680	Spring - Governor Link
34	295841	Pin Assembly - Piston - .005" O.S.	260	220680	Spring - Governor Link
35	390402	Rod Assy. - Connecting	261	220680	Spring - Governor Link
36	390403	Rod Assy. - Connecting	262	220680	Spring - Governor Link
37	390404	Rod Assy. - Connecting	263	220680	Spring - Governor Link
38	390405	Rod Assy. - Connecting	264	220680	Spring - Governor Link
39	390406	Rod Assy. - Connecting	265	220680	Spring - Governor Link
40	390407	Rod Assy. - Connecting	266	220680	Spring - Governor Link
41	390408	Rod Assy. - Connecting	267	220680	Spring - Governor Link
42	390409	Rod Assy. - Connecting	268	220680	Spring - Governor Link
43	390410	Rod Assy. - Connecting	269	220680	Spring - Governor Link
44	390411	Rod Assy. - Connecting	270	220680	Spring - Governor Link
45	390412	Rod Assy. - Connecting	271	220680	Spring - Governor Link
46	390413	Rod Assy. - Connecting	272	220680	Spring - Governor Link
47	390414	Rod Assy. - Connecting	273	220680	Spring - Governor Link
48	390415	Rod Assy. - Connecting	274	220680	Spring - Governor Link
49	390416	Rod Assy. - Connecting	275	220680	Spring - Governor Link
50	390417	Rod Assy. - Connecting	276	220680	Spring - Governor Link
51	390418	Rod Assy. - Connecting	277	220680	Spring - Governor Link
52	390419	Rod Assy. - Connecting	278	220680	Spring - Governor Link
53	390420	Rod Assy. - Connecting	279	220680	Spring - Governor Link
54	390421	Rod Assy. - Connecting	280	220680	Spring - Governor Link
55	390422	Rod Assy. - Connecting	281	220680	Spring - Governor Link
56	390423	Rod Assy. - Connecting	282	220680	Spring - Governor Link
57	390424	Rod Assy. - Connecting	283	220680	Spring - Governor Link
58	390425	Rod Assy. - Connecting	284	220680	Spring - Governor Link
59	390426	Rod Assy. - Connecting	285	220680	Spring - Governor Link
60	390427	Rod Assy. - Connecting	286	220680	Spring - Governor Link
61	390428	Rod Assy. - Connecting	287	220680	Spring - Governor Link
62	390429	Rod Assy. - Connecting	288	220680	Spring - Governor Link
63	390430	Rod Assy. - Connecting	289	220680	Spring - Governor Link
64	390431	Rod Assy. - Connecting	290	220680	Spring - Governor Link
65	390432	Rod Assy. - Connecting	291	220680	Spring - Governor Link
66	390433	Rod Assy. - Connecting	292	220680	Spring - Governor Link
67	390434	Rod Assy. - Connecting	293	220680	Spring - Governor Link
68	390435	Rod Assy. - Connecting	294	220680	Spring - Governor Link
69	390436	Rod Assy. - Connecting	295	220680	Spring - Governor Link
70	390437	Rod Assy. - Connecting	296	220680	Spring - Governor Link
71	390438	Rod Assy. - Connecting	297	220680	Spring - Governor Link
72	390439	Rod Assy. - Connecting	298	220680	Spring - Governor Link
73	390440	Rod Assy. - Connecting	299	220680	Spring - Governor Link
74	390441	Rod Assy. - Connecting	300	220680	Spring - Governor Link
75	390442	Rod Assy. - Connecting	301	220680	Spring - Governor Link
76	390443	Rod Assy. - Connecting	302	220680	Spring - Governor Link
77	390444	Rod Assy. - Connecting	303	220680	Spring - Governor Link
78	390445	Rod Assy. - Connecting	304	220680	Spring - Governor Link
79	390446	Rod Assy. - Connecting	305	220680	Spring - Governor Link
80	390447	Rod Assy. - Connecting	306	220680	Spring - Governor Link
81	390448	Rod Assy. - Connecting	307	220680	Spring - Governor Link
82	390449	Rod Assy. - Connecting	308	220680	Spring - Governor Link
83	390450	Rod Assy. - Connecting	309	220680	Spring - Governor Link
84	390451	Rod Assy. - Connecting	310	220680	Spring - Governor Link
85	390452	Rod Assy. - Connecting	311	220680	Spring - Governor Link
86	390453	Rod Assy. - Connecting	312	220680	Spring - Governor Link
87	390454	Rod Assy. - Connecting	313	220680	Spring - Governor Link
88	390455	Rod Assy. - Connecting	314	220680	Spring - Governor Link
89	390456	Rod Assy. - Connecting	315	220680	Spring - Governor Link
90	390457	Rod Assy. - Connecting	316	220680	Spring - Governor Link
91	390458	Rod Assy. - Connecting	317	220680	Spring - Governor Link
92	390459	Rod Assy. - Connecting	318	220680	Spring - Governor Link
93	390460	Rod Assy. - Connecting	319	220680	Spring - Governor Link
94	390461	Rod Assy. - Connecting	320	220680	Spring - Governor Link
95	390462	Rod Assy. - Connecting	321	220680	Spring - Governor Link
96	390463	Rod Assy. - Connecting	322	220680	Spring - Governor Link
97	390464	Rod Assy. - Connecting	323	220680	Spring - Governor Link
98	390465	Rod Assy. - Connecting	324	220680	Spring - Governor Link
99	390466	Rod Assy. - Connecting	325	220680	Spring - Governor Link
100	390467	Rod Assy. - Connecting	326	220680	Spring - Governor Link

**REPAIR PARTS**

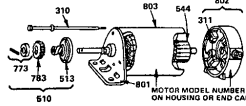
36" RIDING LAWN TRACTOR—MODEL NUMBER L8218BR  
BRIGGS & STRATTON 8 H.P. ENGINE—MODEL NO. 191707, TYPE NO. 5627-01  
AIR CLEANER, CARBURETOR AND FLYWHEEL GROUP



KEY NO.	PART NO.	DESCRIPTION	KEY NO.	PART NO.	DESCRIPTION
10	93294	Screw - Set	216	291117	Link Choke
23	381983	Flywheel and Ring Gear As'y. - Magneto	229	220680	Washer, Flat
52	210824	Gasket - Carburetor Mounting	309	392749	Motor and Drive As'y. (See Break-down of Parts Below)
83	24108	Bushing - Throttle Shaft	423	93410	Screw - Set
85	294081	Valve Assembly - Carburetor Idle	414	381532	Stator - Alternator
96	53499	Screw - Throttle and Choke Valve Mfg.	481	238970	Bushing - Stator
88	91920	Screw - Machine Fill, Hd. 8 - 32 x 5/8"	482	38621	Screw - Set
99	26157	Spring - Throttle Adjustment	485	381688	Knob As'y. - Fuse
101	83043	Pin - Throttle Stop	486	381607	Diode - Alternator
104	230896	Pin - Float Hinge	488	222211	Bracket - Output
108	227010	Valve Choke	534	38622	Screw - Air Cleaner
118	361233	Valve Needle	534A	32323	Screw - Air Cleaner
121	298852	Carburetor Overhaul Kit	536	270528	Element - Air Cleaner
123	93357	Screw - Carburetor Mtg.	538	381398	Cleaner Assembly - Air
125	269511	Carburetor Assembly	538	270539	Upper - Air Cleaner Element (Plastic)
126	299851	Body Assembly - Carburetor	537	270539	Gasket - Air Cleaner
127	221957	Plug - Wash	601	44053	Clamp - Fuel Pipe
128	211682	Venturi - Carburetor	618	261116	Spring - Choke Return
130	221686	Valve - Throttle	629	220282	Washer - Choke Shaft
131	381512	Shaft and Lever - Throttle	662	220277	Bracket - Carburetor
132	211711	Stop - Throttle	663	63572	Screw
133	285707	Float - Carburetor	725	391134	Gear - Ring
134	259096	Stop - Fuel Inlet	727	390233	Cover and Shield - Starter
136	221995	Bowl - Float	728	62523	Screw - Set
137	270511	Gasket - Float Bowl	763	391604	Electric Starter Kit - 12 Volt (Gear Drive)
141	220214	Washer - Float Bowl	814	390687	Wire - Assembly - 7 Amp. Alternator
142	390684	Shaft and Lever - Choke	844	261269	Spring - Diode
143	285740	Washer - Carburetor			
147	235872	Nozzle - Carburetor			
148	67218	Connector - Fuel Pipe			
150	256004	Pipe - Fuel			

\*Included in Carburetor Overhaul Kit - Part No. 299852

**STARTER MOTOR GROUP**

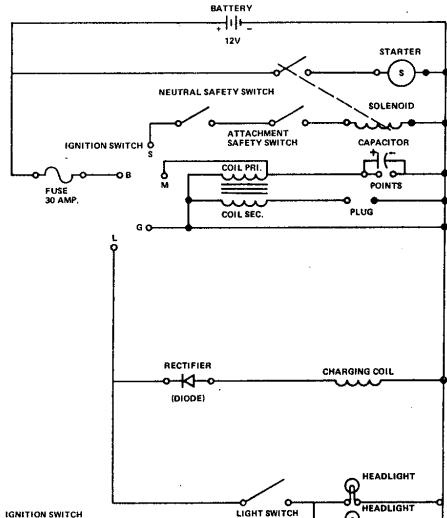


KEY NO.	PART NO.	DESCRIPTION
310	391706	Thru Bolt, As'y.
311	381705	Brush As'y.
510	391461	Drive As'y.
511	387747	Armature As'y.
801	381710	End Cap As'y., Drive
802	390846	End Cap As'y., Commutator
803	392744	Housing As'y.

\*Includes Brush Set No. 391735 Clutch As'y. (Key No. 513)  
\*No. 280104 Gear (Key No. 783)  
\*No. 391462 Retainer and Pin (Key No. 773)

**REPAIR PARTS**

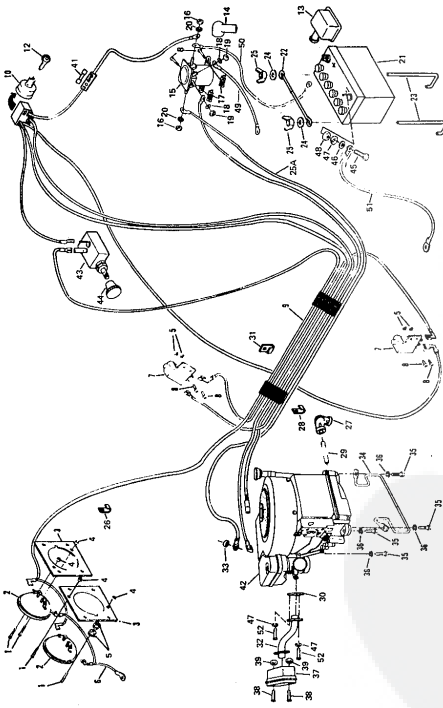
36" RIDING LAWN TRACTOR—MODEL NUMBER L8218BR  
SCHEMATIC DIAGRAM



IGNITION SWITCH	
POSITION	CIRCUIT
OFF	M-G
ON	B-L
START	B-S

**REPAIR PARTS**

ELECTRIC & ENGINE



**REPAIR PARTS**

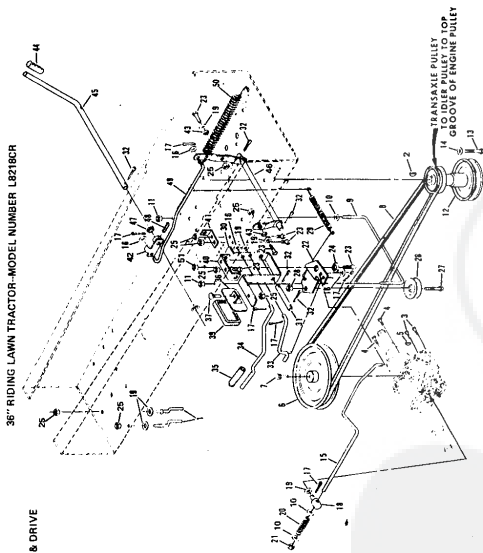
ELECTRIC & ENGINE

KEY NO.	PART NO.	DESCRIPTION
1	3228P	Screw, Machine Trust Head No. 10 - 24 x 1
2	645/R	Headlight Support
3	7302S	Headlight Lens
4	561P	Washer, Flat No. 10 - 24 UNC
5	561P	Washer, Flat No. 10 - 24 UNC
6	7125S	Washer, Flat No. 10 - 24 UNC
7	7125S	Washer, Flat No. 10 - 24 UNC
8	3359P	Screw, Machine Phillips Head No. 10 - 24 UNC
9	1795L	Washer, Flat No. 10 - 24 UNC
10	7522A	Washer, Flat No. 10 - 24 UNC
11	7522A	Washer, Flat No. 10 - 24 UNC
12	7522A	Washer, Flat No. 10 - 24 UNC
13	225J	Terminal Cover
14	7125A/R	Washer, Flat No. 10 - 24 UNC
15	7125A/R	Washer, Flat No. 10 - 24 UNC
16	7125A/R	Washer, Flat No. 10 - 24 UNC
17	578P	Washer, Flat No. 10 - 24 UNC
18	1063P	Washer, Flat No. 10 - 24 UNC
19	1063P	Washer, Flat No. 10 - 24 UNC
20	1063P	Washer, Flat No. 10 - 24 UNC
21	6718P	Washer, Flat No. 10 - 24 UNC
22	1505S	Washer, Flat No. 10 - 24 UNC
23	1505S	Washer, Flat No. 10 - 24 UNC
24	1505S	Washer, Flat No. 10 - 24 UNC
25	577P	Washer, Flat No. 10 - 24 UNC
26	2321R	Washer, Flat No. 10 - 24 UNC

\*STANDARD HARDWARE—PURCHASE LOCALLY  
OPTIONAL EQUIPMENT  
1A80.11 Spark Arrestor

**REPAIR PARTS**

**CLUTCH-BRAKE & DRIVE**



36" RIDING LAWN TRACTOR—MODEL NUMBER L8218CR

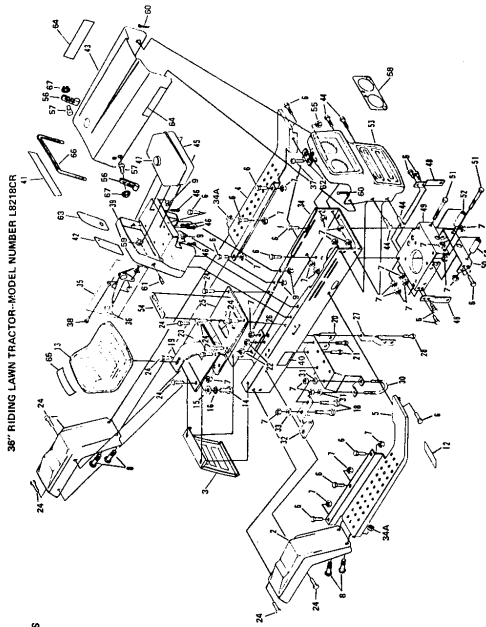
**REPAIR PARTS**

**CLUTCH-BRAKE & DRIVE**

REF. PART NO.	DESCRIPTION	REF. PART NO.	DESCRIPTION
1	71200 Bolt Guide	23	3010P Bolt, Hex Head 5/16 - 18 x 3.4
2	60603 Key, Woodruff No. 6	24	71202 Bushing 5/16 - 18 x 3.4
3	60609 Spring, Compression 1/2" Dia. x 1.5" H. x 1.5" O.D.	25	67400 Pulley, 1/2" Dia. x 1.5" H. x 1.5" O.D.
4	6060P Spring, Compression 1/2" Dia. x 1.5" H. x 1.5" O.D.	26	67400 Pulley, 1/2" Dia. x 1.5" H. x 1.5" O.D.
5	52859 Key, Woodruff No. E1	27	529P Nut, Lock 1/8 - 18 UNC
6	6060P Spring, Compression 1/2" Dia. x 1.5" H. x 1.5" O.D.	28	2044J Spring, Idler
7	6060P Spring, Compression 1/2" Dia. x 1.5" H. x 1.5" O.D.	29	2044J Spring, Idler
8	72794 Mid-Belt Guide	30	71223 Pin, Split 1/8 x 1/8 x 1
9	71241 Brake Rod	31	71223 Pin, Split 1/8 x 1/8 x 1
10	545P Spring, Compression 1/2" Dia. x 1.5" H. x 1.5" O.D.	32	74419 Clutch Fork
11	545P Spring, Compression 1/2" Dia. x 1.5" H. x 1.5" O.D.	33	3733 Park Brake Rod
12	6062P Spring, Compression 1/2" Dia. x 1.5" H. x 1.5" O.D.	34	3733 Park Brake Rod
13	6062P Spring, Compression 1/2" Dia. x 1.5" H. x 1.5" O.D.	35	71222 Foot Plate
14	1010P Spring, Compression 1/2" Dia. x 1.5" H. x 1.5" O.D.	36	71199 Foot Plate
15	7392 Brake Rod	37	67355 Foot Plate
16	7392 Brake Rod	38	71222 Foot Plate
17	2505P Spring, Compression 1/2" Dia. x 1.5" H. x 1.5" O.D.	39	71222 Foot Plate
18	1528 Spring, Compression 1/2" Dia. x 1.5" H. x 1.5" O.D.	40	71199 Foot Plate
19	1528 Spring, Compression 1/2" Dia. x 1.5" H. x 1.5" O.D.	41	71222 Foot Plate
20	71239 Spring, Compression 1/2" Dia. x 1.5" H. x 1.5" O.D.	42	71222 Foot Plate
21	71201 U.S. Brake	43	71222 Foot Plate
22	71201 U.S. Brake	44	71222 Foot Plate

**REPAIR PARTS**

**CHASSIS**



36" RIDING LAWN TRACTOR—MODEL NUMBER L8218CR

**REPAIR PARTS**

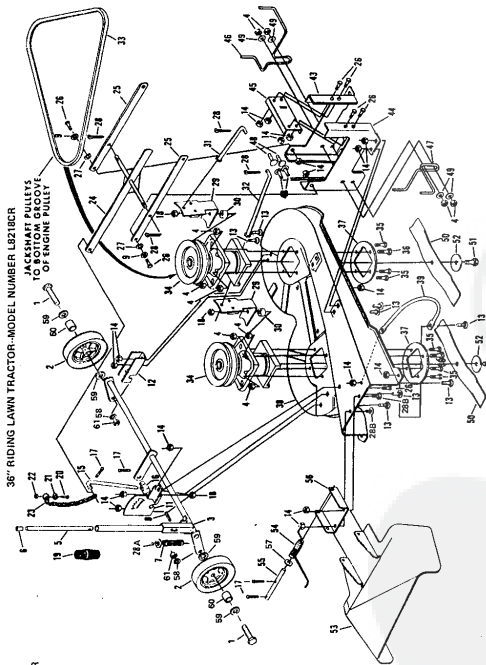
**CHASSIS**

REF. PART NO.	DESCRIPTION	REF. PART NO.	DESCRIPTION
1	3884 Fender, L.H.	35	1564J Remco Control Arm, R/C
2	3884 Fender, R.H.	36	6120P Spring, Compression 1/2" Dia. x 1.5" H. x 1.5" O.D.
3	1135J Foot Rest, L.H.	37	6120P Spring, Compression 1/2" Dia. x 1.5" H. x 1.5" O.D.
4	1135J Foot Rest, R.H.	38	6060P Spring, Compression 1/2" Dia. x 1.5" H. x 1.5" O.D.
5	1460J Foot Rest, R.H. 5/16 - 18 x 3/4	39	6060P Spring, Compression 1/2" Dia. x 1.5" H. x 1.5" O.D.
6	529P Nut, Lock 1/8 - 18 UNC	40	75078 Nut, Lock 5/16 - 18 UNC
7	529P Nut, Lock 1/8 - 18 UNC	41	1135J Foot Rest, R.H. 5/16 - 18 x 3/4
8	529P Nut, Lock 1/8 - 18 UNC	42	1135J Foot Rest, R.H. 5/16 - 18 x 3/4
9	529P Nut, Lock 1/8 - 18 UNC	43	67761Z Head Assy, Washer Hd.
10	529P Nut, Lock 1/8 - 18 UNC	44	3884P Fender, L.H.
11	529P Nut, Lock 1/8 - 18 UNC	45	3884P Fender, R.H.
12	1135J Foot Rest, R.H. 5/16 - 18 x 3/4	46	74415 Fuel Cap
13	1135J Foot Rest, R.H. 5/16 - 18 x 3/4	47	74415 Fuel Cap
14	1135J Foot Rest, R.H. 5/16 - 18 x 3/4	48	1885J Engine Bracket
15	1135J Foot Rest, R.H. 5/16 - 18 x 3/4	49	1885J Engine Bracket
16	1135J Foot Rest, R.H. 5/16 - 18 x 3/4	50	2711P Bolt, Hex Head 5/16 - 18 x 2.34
17	1135J Foot Rest, R.H. 5/16 - 18 x 3/4	51	2711P Bolt, Hex Head 5/16 - 18 x 2.34
18	1135J Foot Rest, R.H. 5/16 - 18 x 3/4	52	14423 Bushing
19	1135J Foot Rest, R.H. 5/16 - 18 x 3/4	53	14423 Bushing
20	1135J Foot Rest, R.H. 5/16 - 18 x 3/4	54	74397 Battery Cap
21	1135J Foot Rest, R.H. 5/16 - 18 x 3/4	55	74397 Battery Cap
22	1135J Foot Rest, R.H. 5/16 - 18 x 3/4	56	3884P Fender, L.H.
23	1135J Foot Rest, R.H. 5/16 - 18 x 3/4	57	3884P Fender, R.H.
24	1135J Foot Rest, R.H. 5/16 - 18 x 3/4	58	6924 Decal - Headlight
25	67761Z Head Assy, Washer Hd.	59	6924 Decal - Headlight
26	67761Z Head Assy, Washer Hd.	60	7505P Center Pin 272 x 3/4
27	67761Z Head Assy, Washer Hd.	61	7505P Center Pin 272 x 3/4
28	67761Z Head Assy, Washer Hd.	62	7505P Center Pin 272 x 3/4
29	67761Z Head Assy, Washer Hd.	63	1135J Foot Rest, R.H. 5/16 - 18 x 3/4
30	67761Z Head Assy, Washer Hd.	64	1135J Foot Rest, R.H. 5/16 - 18 x 3/4
31	67761Z Head Assy, Washer Hd.	65	244J Decal, L.H.
32	67761Z Head Assy, Washer Hd.	66	244J Decal, L.H.
33	67761Z Head Assy, Washer Hd.	67	244J Decal, L.H.
34	67761Z Head Assy, Washer Hd.	68	244J Decal, L.H.

\*STANDARD HARDWARE—PURCHASE LOCALLY

**REPAIR PARTS**

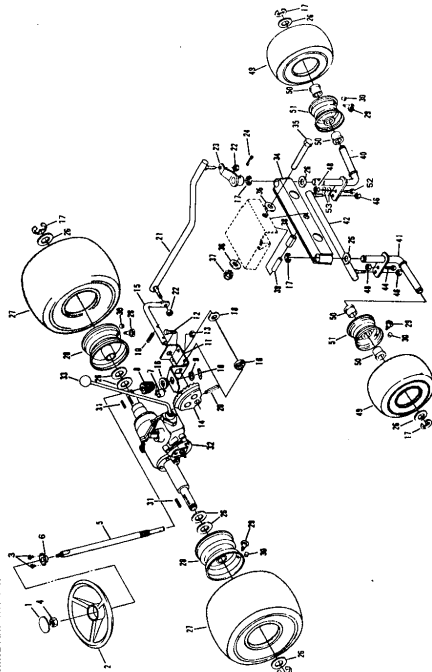
MOWER



36" RIDING LAWN TRACTOR—MODEL NUMBER L821BCR

**REPAIR PARTS**

STEERING AND WHEELS



36" RIDING LAWN TRACTOR—MODEL NUMBER L821BCR

**REPAIR PARTS**

MOWER

REF. NO.	PART NO.	DESCRIPTION
1	3199P	Hex Bolt 3/8" x 2 1/4" Gr. 5
2	67284A	Clutch Wheel Assembly
3	545P	Nut, Lock 3/8" - 16 UNC
4	9479R	Cap Lever Plunger
5	8669R	Spring
6	8669R	Spring
7	1599P	Washer, 1/162 x 3/4 x 18 Ga.
8	71300	Bolt, Carriage 5/16" - 18 x 3/4 Gr. 5
9	67237	Adjustment Rod
10	576P	Locknut Washer 3/8" - 16 UNC
11	2503P	"Cover Pin 3/32 x 3/4
12	17172	"Screw, Pan Hd. Machine 1/4" - 20 x 1
13	3224P	"Screw, Pan Hd. Machine 1/4" - 20 x 1
14	29014	Pin, Chain
15	71337	Pin, Chain
16	71337	Pin, Chain
17	71815	Pin, Chain
18	1615P	Pin, Chain
19	1615P	Pin, Chain
20	3224P	"Screw, Pan Hd. Machine 1/4" - 20 x 1
21	574P	"Screw, Pan Hd. Machine 1/4" - 20 x 1
22	71337	Pin, Chain
23	71337	Pin, Chain
24	71815	Pin, Chain
25	1615P	Pin, Chain
26	1615P	Pin, Chain
27	1615P	Pin, Chain
28	1615P	Pin, Chain
29	1615P	Pin, Chain
30	1615P	Pin, Chain
31	1615P	Pin, Chain
32	1615P	Pin, Chain
33	1615P	Pin, Chain
34	1615P	Pin, Chain
35	1615P	Pin, Chain
36	1615P	Pin, Chain
37	1615P	Pin, Chain
38	1615P	Pin, Chain
39	1615P	Pin, Chain
40	1615P	Pin, Chain
41	1615P	Pin, Chain
42	1615P	Pin, Chain
43	1615P	Pin, Chain
44	1615P	Pin, Chain
45	1615P	Pin, Chain
46	1615P	Pin, Chain
47	1615P	Pin, Chain
48	1615P	Pin, Chain
49	1615P	Pin, Chain
50	1615P	Pin, Chain
51	1615P	Pin, Chain
52	67284	Clutch Wheel Assembly
53	71337	Pin, Chain
54	71337	Pin, Chain
55	71815	Pin, Chain
56	1615P	Pin, Chain
57	1615P	Pin, Chain
58	1615P	Pin, Chain
59	1615P	Pin, Chain
60	1615P	Pin, Chain
61	1615P	Pin, Chain
62	1615P	Pin, Chain
63	1615P	Pin, Chain
64	1615P	Pin, Chain
65	1615P	Pin, Chain
66	1615P	Pin, Chain
67	1615P	Pin, Chain
68	1615P	Pin, Chain
69	1615P	Pin, Chain
70	1615P	Pin, Chain
71	1615P	Pin, Chain
72	1615P	Pin, Chain
73	1615P	Pin, Chain
74	1615P	Pin, Chain
75	1615P	Pin, Chain
76	1615P	Pin, Chain
77	1615P	Pin, Chain
78	1615P	Pin, Chain
79	1615P	Pin, Chain
80	1615P	Pin, Chain
81	1615P	Pin, Chain
82	1615P	Pin, Chain
83	1615P	Pin, Chain
84	1615P	Pin, Chain
85	1615P	Pin, Chain
86	1615P	Pin, Chain
87	1615P	Pin, Chain
88	1615P	Pin, Chain
89	1615P	Pin, Chain
90	1615P	Pin, Chain
91	1615P	Pin, Chain
92	1615P	Pin, Chain
93	1615P	Pin, Chain
94	1615P	Pin, Chain
95	1615P	Pin, Chain
96	1615P	Pin, Chain
97	1615P	Pin, Chain
98	1615P	Pin, Chain
99	1615P	Pin, Chain
100	1615P	Pin, Chain

36" RIDING LAWN TRACTOR—MODEL NUMBER L821BCR

**REPAIR PARTS**

STEERING AND WHEELS

REF. NO.	PART NO.	DESCRIPTION
1	1114J	Steering Wheel Inset
2	561P	Steering Wheel
3	561P	Steering Wheel
4	561P	Steering Wheel
5	1599J	Nut, 1/2" Type AB
6	1599J	Nut, 1/2" Type AB
7	1599J	Nut, 1/2" Type AB
8	1599J	Nut, 1/2" Type AB
9	1599J	Nut, 1/2" Type AB
10	1599J	Nut, 1/2" Type AB
11	1599J	Nut, 1/2" Type AB
12	1599J	Nut, 1/2" Type AB
13	1599J	Nut, 1/2" Type AB
14	1599J	Nut, 1/2" Type AB
15	1599J	Nut, 1/2" Type AB
16	1599J	Nut, 1/2" Type AB
17	1599J	Nut, 1/2" Type AB
18	1599J	Nut, 1/2" Type AB
19	1599J	Nut, 1/2" Type AB
20	1599J	Nut, 1/2" Type AB
21	1599J	Nut, 1/2" Type AB
22	1599J	Nut, 1/2" Type AB
23	1599J	Nut, 1/2" Type AB
24	1599J	Nut, 1/2" Type AB
25	1599J	Nut, 1/2" Type AB
26	1599J	Nut, 1/2" Type AB
27	1599J	Nut, 1/2" Type AB
28	1599J	Nut, 1/2" Type AB
29	1599J	Nut, 1/2" Type AB
30	1599J	Nut, 1/2" Type AB
31	1599J	Nut, 1/2" Type AB
32	1599J	Nut, 1/2" Type AB
33	1599J	Nut, 1/2" Type AB
34	1599J	Nut, 1/2" Type AB
35	1599J	Nut, 1/2" Type AB
36	1599J	Nut, 1/2" Type AB
37	1599J	Nut, 1/2" Type AB
38	1599J	Nut, 1/2" Type AB
39	1599J	Nut, 1/2" Type AB
40	1599J	Nut, 1/2" Type AB
41	1599J	Nut, 1/2" Type AB
42	1599J	Nut, 1/2" Type AB
43	1599J	Nut, 1/2" Type AB
44	1599J	Nut, 1/2" Type AB
45	1599J	Nut, 1/2" Type AB
46	1599J	Nut, 1/2" Type AB
47	1599J	Nut, 1/2" Type AB
48	1599J	Nut, 1/2" Type AB
49	1599J	Nut, 1/2" Type AB
50	1599J	Nut, 1/2" Type AB
51	1599J	Nut, 1/2" Type AB
52	1599J	Nut, 1/2" Type AB
53	1599J	Nut, 1/2" Type AB
54	1599J	Nut, 1/2" Type AB
55	1599J	Nut, 1/2" Type AB
56	1599J	Nut, 1/2" Type AB
57	1599J	Nut, 1/2" Type AB
58	1599J	Nut, 1/2" Type AB
59	1599J	Nut, 1/2" Type AB
60	1599J	Nut, 1/2" Type AB
61	1599J	Nut, 1/2" Type AB
62	1599J	Nut, 1/2" Type AB
63	1599J	Nut, 1/2" Type AB
64	1599J	Nut, 1/2" Type AB
65	1599J	Nut, 1/2" Type AB
66	1599J	Nut, 1/2" Type AB
67	1599J	Nut, 1/2" Type AB
68	1599J	Nut, 1/2" Type AB
69	1599J	Nut, 1/2" Type AB
70	1599J	Nut, 1/2" Type AB
71	1599J	Nut, 1/2" Type AB
72	1599J	Nut, 1/2" Type AB
73	1599J	Nut, 1/2" Type AB
74	1599J	Nut, 1/2" Type AB
75	1599J	Nut, 1/2" Type AB
76	1599J	Nut, 1/2" Type AB
77	1599J	Nut, 1/2" Type AB
78	1599J	Nut, 1/2" Type AB
79	1599J	Nut, 1/2" Type AB
80	1599J	Nut, 1/2" Type AB
81	1599J	Nut, 1/2" Type AB
82	1599J	Nut, 1/2" Type AB
83	1599J	Nut, 1/2" Type AB
84	1599J	Nut, 1/2" Type AB
85	1599J	Nut, 1/2" Type AB
86	1599J	Nut, 1/2" Type AB
87	1599J	Nut, 1/2" Type AB
88	1599J	Nut, 1/2" Type AB
89	1599J	Nut, 1/2" Type AB
90	1599J	Nut, 1/2" Type AB
91	1599J	Nut, 1/2" Type AB
92	1599J	Nut, 1/2" Type AB
93	1599J	Nut, 1/2" Type AB
94	1599J	Nut, 1/2" Type AB
95	1599J	Nut, 1/2" Type AB
96	1599J	Nut, 1/2" Type AB
97	1599J	Nut, 1/2" Type AB
98	1599J	Nut, 1/2" Type AB
99	1599J	Nut, 1/2" Type AB
100	1599J	Nut, 1/2" Type AB

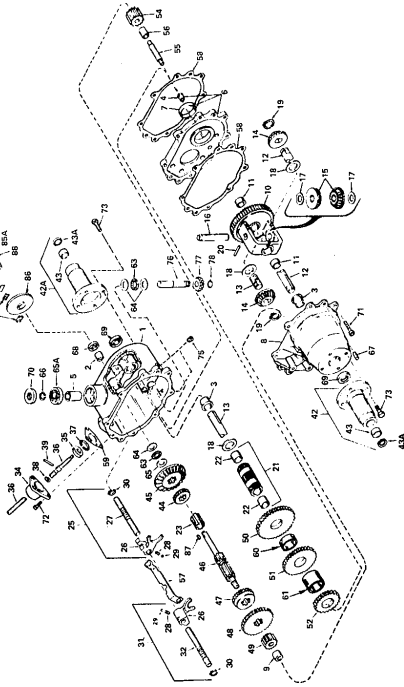
36" RIDING LAWN TRACTOR—MODEL NUMBER L821BCR

\*STANDARD HARDWARE-PURCHASE LOCALLY

**REPAIR PARTS**

36" RIDING LAWN TRACTOR-MODEL NUMBER L821BCR  
TRANSAKLE NO. 794191A-MODEL NUMBER 143.658A

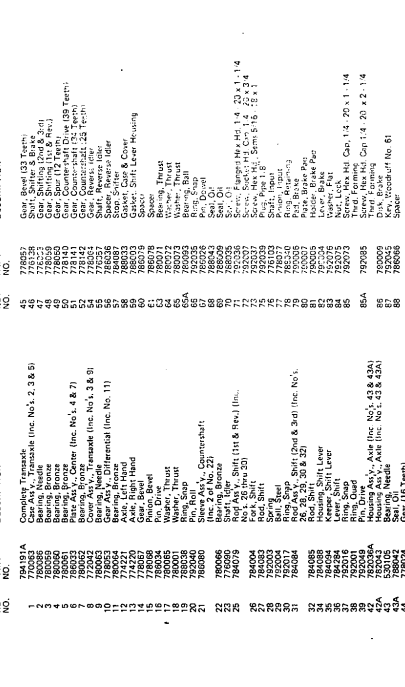
ALL TRANSAKLE PARTS MUST  
BE PURCHASED THROUGH OUR  
LOCAL TECHNICAL DEALER.



**REPAIR PARTS**

36" RIDING LAWN TRACTOR-MODEL NUMBER L821BCR  
TRANSAKLE NO. 794191A-MODEL NUMBER 143.658A

ALL TRANSAKLE PARTS MUST  
BE PURCHASED THROUGH OUR  
LOCAL TECHNICAL DEALER.

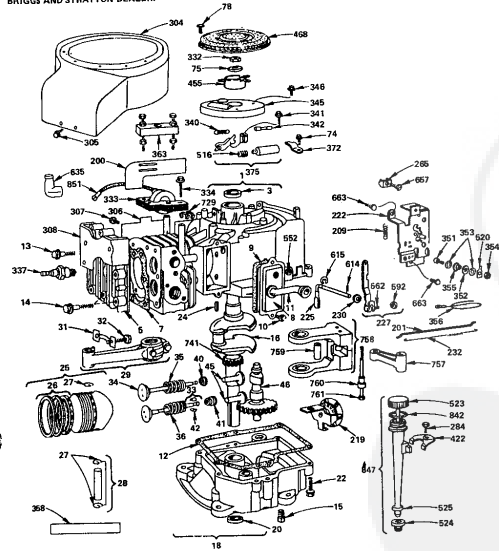


**REPAIR PARTS**

36" RIDING LAWN TRACTOR-MODEL NUMBER L821BCR  
BRIGGS & STRATTON 8 H.P. ENGINE-MODEL NO. 191707, TYPE NO. 5627-01

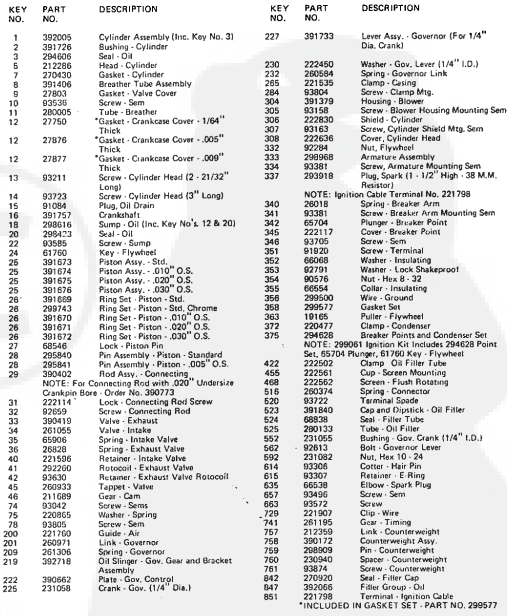
**CYLINDER, CRANKSHAFT AND ENGINE BASE GROUP**

ALL ENGINE PARTS MUST BE PUR-  
CHASED THROUGH AND SERVICE  
PERFORMED BY YOUR LOCAL  
BRIGGS & STRATTON DEALER.



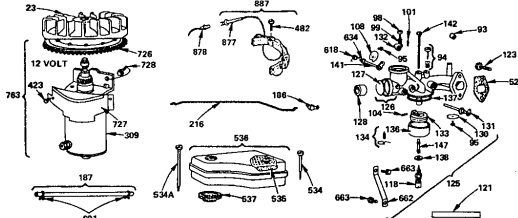
**REPAIR PARTS**

36" RIDING LAWN TRACTOR-MODEL NUMBER L821BCR  
BRIGGS & STRATTON 8 H.P. ENGINE-MODEL NO. 191707, TYPE NO. 5627-01



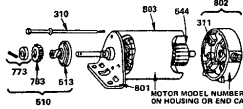
**REPAIR PARTS**

36" RIDING LAWN TRACTOR-MODEL NUMBER L8218CR  
BRIGGS & STRATTON 8 H.P. ENGINE-MODEL NO. 191707, TYPE NO. 5627-01  
AIR CLEANER, CARBURETOR AND FLYWHEEL GROUP



KEY NO.	PART NO.	DESCRIPTION	KEY NO.	PART NO.	DESCRIPTION
23	391983	Flywheel and Ring Gear Assy. - Magneto	218	281117	Link Choke
52	219924	Gasket - Carburetor Mounting	309	392749	Motor and Drive Assy. (See Break-down of Parts Below)
53	23108	Bushing - Throttle Shaft	423	93410	Screw - Sem
64	291691	Valve Assembly - Carburetor Idle			
66	63499	Screw - Throttle and Choke Valve Mtg. Sem	482	93621	Screw - Sem
68	81920	Screw - Machine Fill. Hd. 8-32 x 5/8"			
69	26157	Spring - Throttle Adjustment			
101	83043	Pin - Throttle Stop			
104	230696	*Pin - Float Hinge	534	93622	Screw - Air Cleaner
118	391233	*Valve Needle	534A	93323	Screw - Air Cleaner
121	298852	Carburetor Overhaul Kit	536	279528	Element - Air Cleaner
123	83357	Screw - Carburetor Mtg.	536	391399	Cleaner Assembly - Air
126	390811	Carburetor Assembly	601	53063	Support - Air Cleaner Element (Plastic)
126	298851	Body Assembly - Carburetor	637	270839	Gasket - Air Cleaner
127	221997	*Plug - Wadlet	637	33063	Clamp - Fuel Pipe
128	211862	Venturi - Carburetor	618	281118	Spring - Choke Return
130	221988	Valve - Throttle	634	210362	Washer - Choke Shaft
131	391512	Shaft and Lever - Throttle	662	222927	Bracket - Carburetor
132	211712	Stop - Throttle	663	93517	Screw
133	298707	Float - Carburetor	663	39134	Gear - Ring
134	298696	Float - Fuel Inlet	727	390233	Cover and Shield - Starter
136	221895	Bowl - Float	728	39023	Screw - Sem
137	218611	Gasket - Float Bowl	877	393814	Diode & Conn. Assembly
138	222014	Washer - Float Bowl	878	393422	Alt. Harness Assembly
141	390664	Shaft and Lever - Choke	887	391529	Stator-Alternator
142	290740	Nozzle - Carburetor			
147	232922	*Screw - Nozzle			
186	87216	Connector - Fuel Pipe			
187	299004	Pipe - Fuel			

**STARTER MOTOR GROUP**

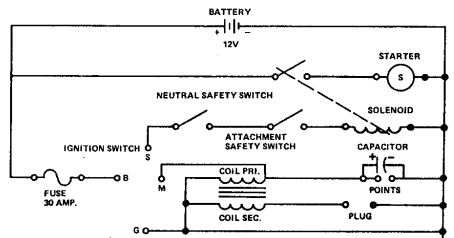


KEY NO.	PART NO.	DESCRIPTION
310	391709	Thru Bolt Assy.
311	391708	Brush Assy.
510	391481	*Drive Assy.
544	392747	Armature Assy.
801	391751	End Cap Assy. Drive
802	390846	End Cap Assy. Commutator
803	392744	Housing Assy.

\* Includes Brush Set  
\* Includes No. 39135 Clutch Assy. (Key No. 513)  
\* Includes No. 890194 Gear (Key No. 783)  
\* Includes No. 391462 Retainer and Pin (Key No. 773)

**REPAIR PARTS**

36" RIDING LAWN TRACTOR-MODEL NUMBER L8218CR  
SCHEMATIC DIAGRAM



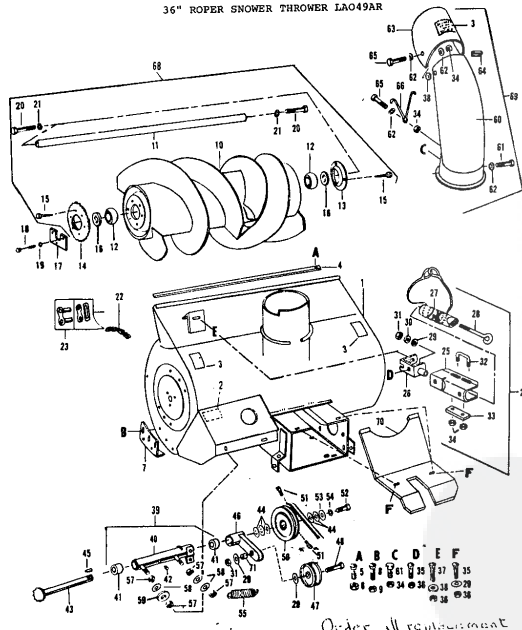
IGNITION SWITCH	
POSITION	CIRCUIT
OFF	M-G
ON	B-L
START	B-S

**WIRING INSULATED CLIPS**

If Insulated Clips were removed for servicing of unit, they should be replaced to properly secure your wiring. There are three Insulated Clips on your Tractor.

1. L.H. side of Tractor for safety switch wires (Key No. 28, page 14).
2. R.H. side of Tractor securing wire harness and cable wire (Key No. 31, page 14).
3. Headlight wire (Key No. 26, page 14).

36" ROPER SNOW THROWER LAO49AR



E519 (10.1.78)

Order all replacement parts for this model snow thrower from HABAN MFG CO. 100 W. W. PARKWAY RACINE, WIS. 53407

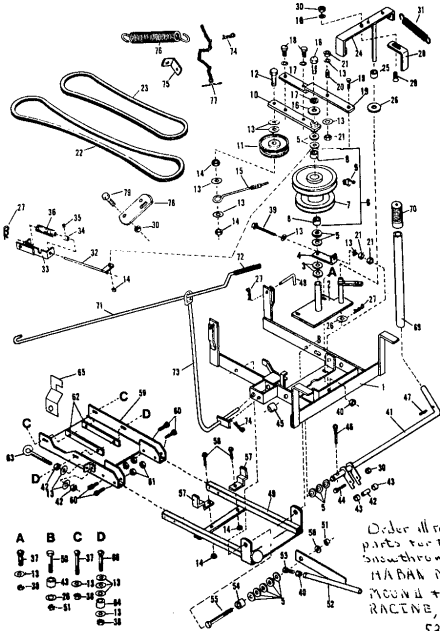
36" ROPER SNOW THROWER LAO49AR

Ref. No.	Part No.	Description	No. Req.	Ref. No.	Part No.	Description	No. Req.
1	11372	Assy-Header & Decal	1	38	4506	* Washer-13/32 x 1-1/2 x 16 ga.	3
2	9713	Decal	1	39	11378	Assy-Jackshaft hsg. & Bushings	1
3	9663	Decal-Warning	3	40	11379	Assy-Jackshaft hsg.	1
4	3013	Blade-Scraper	1	41	3034	Bushing	2
5	7090	* Bolt-1/4-20 x 5/8 carriage	7	42	5074	* Fitting-Grease	1
6	GM271178	* Nut & Lock washer 1/4-20 hex.	2	43	3143	Assy-Jackshaft & sprocket	1
7	3045	Shoe-Skid	7	44	3396	* Washer-49/64 x 1-1/2 x .058 flat	1
8	STD533107	* Bolt-5/16-18 x 3/4	6	45	STD580103	* Key-3/16 sq. x 1	1
9	GM271184	* Nut & Lock washer 5/16-18 hex	6	46	11381	Assy-Idler Arm	1
10	9044	Assy-Auger	1	47	11496	Assy-Idler Pulley	1
11	8350	Shaft-Auger	1	48	STD 723725	* Bolt - 3/8-16 x 2-1/2 hex hd	1
12	9052	Bearing-Auger Shaft	2	50	1384	Assy-Pulley & Hub	1
13	5473	Flange-Bearing	1	51	GM-142671	* Screw-Set 5/16-18 x 1/2 sq hd cap pt	2
14	8287	Sprocket-Auger (35 tooth)	1	52	STD523707	* Bolt-3/8-16 x 3/4 hex hd	1
15	9131	* Screw-5/16-18 x 3/4 Self-tapping	9	53	G4446363	* Washer-3/8 x 7/8 x .063 flat	1
16	4143	* Washer-1-1/32 x 1-1/2 x 1/8 flat	2	54	STD551137	* Washer-3/8 med lock Spring	1
17	8185	Plate-Auger mounting	1	55	3059	Washer	1
18	STD523106	* Bolt-5/16-18 x 5/8 hex hd	3	57	STD541050	* Nut-1/2-13 hex	4
19	STD551131	Washer-5/16 med lock	2	58	GM120389	* Washer-1/2 x 1-1/4 x .063 flat	3
20	STD525012	* Bolt-1/2-13 x 1-1/4 hex hd	2	59	6979	Washer	1
21	STD551150	Washer-1/2 med lock	2	60	4957	Assy-Deflector & Elbow	2
22	3911	Chain-Auger Drive (70 links)	1	61	STD522510	* Bolt-1/4-20x1/2 hex hd	2
23	8456	Repair Kit for Chain Bracket	1	62	3903	Washer-Cable	6
24	9283	Assy-Stack Drive	1	63	9766	Assy-Deflect & Deflector	1
25	9030	Shroud-Stack Drive	1	64	6558	Molding-deflector	1
26	9032	Assy-Brt. & Tube	1	65	STD522507	* Bolt-1/4-20 x 3/4 hex hd	3
27	8346	Assy-Cable, Tube & Sleeves	1	66	3076	Hook-Lift Spring	1
28	3955	Eye Bolt-Drive Tube	1	68	9043	Assy-Auger (16) Comp.	1
29	GM120388	* Washer-7/16 x 1 x .063 flat	5	69	6457	Elbow	1
30	4772	Spring-Washer	1	70	11420	Guard-Drive Pulley	1
31	STD541437	Nut-3/8-16 hex lock	2	71	5711	Spacer	1
32	8236	U-Bolt-Level Wind	1				
33	8399	Strap-Friction	1				
34	STD541425	* Nut-1/4-20 hex lock	6				
35	STD533707	* Bolt-3/8-16 x 3/4 carriage	3				
36	GM271190	* Nut & Lock Washer 3/8-16 hex	4				
37	STD533710	* Bolt-3/8-16 x 1 carriage	1				

E520 (10.1.78)

\*standard hardware - purchased locally

36" ROPER SNOW THROWER LA049AR



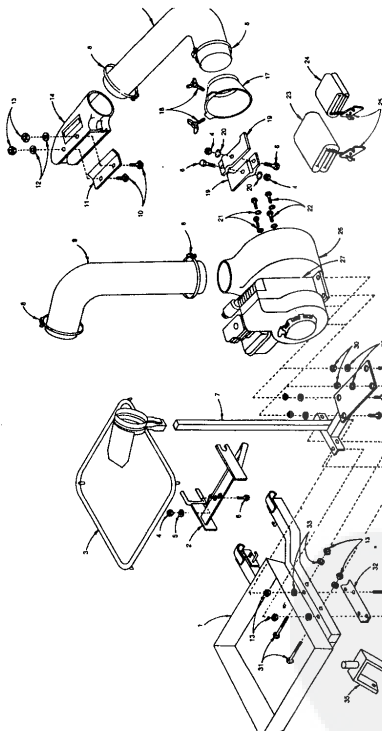
E521 (10.1.78)

36" ROPER SNOW THROWER LA049AR

Ref. No.	Part No.	Description	No. Req.	Ref. No.	Part No.	Description	No. Req.
1	11449	Assy - Mounting Frame (Upper)	1	41	7925	Assy - Lift Bar	1
2	11401	Assy - Pulley Mtg. Brkt.	1	42	3027	Spacer	1
3	STD551075	*Washer - 13/16 x 1-1/2 x .134 flat	1	43	1346	Spacer	1
4	11403	Bracket - 49/64 x 1-1/2	12	44	STD523120	Bolt - 5/16-18 x 2 hex	1
5	3396	*Washer - 49/64 x 1-1/2	12	45	6179	Spacer	1
6	9775	Assy - Pulley Hsg (comp)	1	46	GM120123	Pin - Cotter (1/8 x 1 1/2)	1
7	9776	Assy - Pulley Hsg.	1	47	STD571810	Pin - Roll (3/16 x 1)	1
8	8689	Bearing - Needle	2	48	5736	Pin - Locating	2
9	5074	*Fitting - Grease	1	49	9778	Assy - Mounting Frame	1
10	11404	Assy - Clutch Arm	1	50	STD525015	Bolt - 1/2-13 x 1-1/2 hex hd	2
11	11496	Idler pulley	1	51	STD541450	Nut - 1/2-13 hex lock	1
12	STD723725	*Bolt - 3/8-16 x 2-1/2 hex hd	1	52	9796	Assy - Lift brkt.	1
13	GM120388	*Washer - 7/16 x 1" x .083 flat	24	53	6441	Bolt - 3/8-16 x 2 hex hd full thd	1
14	STD541437	*Nut - 3/8-16 hex lock	5	54	11285	Spacer	1
15	11486	Washer - Bolt Gauge	1	55	STD525020	Bolt - 1/2-13 x 2 hex	1
16	GM446363	*Washer - 3/8 x 7/8 x .083 flat	2	56	GM120389	*Washer - 1/2 x 1-1/4 x .083 flat	1
17	STD551137	*Washer - 3/8 med lock	3	57	11461	Stop - Position	2
18	STD523707	*Bolt - 3/8-16 x 3/4 hex hd	4	58	STD523710	Bolt - 3/8-16 x 1 hex	2
19	11407	Bracket - Clutch Lever	1	59	11417	Assy - Pivot Brkt. channel	1
20	11410	Stud - Brake Release	1	60	STD523117	Bolt - 5/16-18 x 1-3/4 hex hd	4
21	STD541237	*Nut - 3/8-16 hex jam	4	61	STD541431	*Nut - 5/16-18 hex lock	4
22	11361	V-belt	1	62	11418	Strap - Header Channel	2
23	11367	V-belt	1	63	3058	Eye Bolt	2
24	11442	Assy - Belt Brake	1	64	5713	Spacer	2
25	6017	Spacer	3	65	11419	Bracket	1
26	STD551050	*Washer - 17/32 x 1-1/16 x .095	3	66	GM126422	Bolt - 3/8-16 x 2-1/4 carriage	2
27	STD624005	*Pin - Hair	4	69	6078	Handle - Lift	1
28	11414	Popper - V-belt	1	70	3339	Grip - Handle	1
29	STD533110	*Bolt - 5/16-18 x 1" carriage	1	71	4355	Rod - Crank	1
30	GM271184	*Nut & L/washer 5/16 -18 hex	6	72	10840	Handle - Grip	1
31	3059	Spring	1	73	11430	Assy - Crank Support	1
32	11458	Assy - Clutch Rod	1	74	STD624010	Pin - Hair Cotter	2
33	11019	Assy - Clutch Brkt.	1	75	7630	Bracket	1
34	10817	Collar	1	76	4798	Spring - Lift	1
35	4122	*Set Screw - 5/16-18 x 5/16 socket	4	77	5737	Assy - Chain & Toggle	1
36	3077	Spring	1	78	9222	Strap - Rear Mtg.	2
37	STD533710	*Bolt - 3/8-16 x 1 carr	1	79	STD523108	Bolt - 5/16-18 x 5/8 hex hd	4
38	GM271190	*Nut & L/washer 3/8 -16 hex	6	NP	11558	Manual - Instruction and Repair	1
39	6475	*Bolt - 3/8-16 x 3-1/2 full thd hex hd	1				
40	STD541037	*Nut - 3/8-16 Lt hex	6				

E522 (10.1.78)

\*Standard Hardware - Purchased Locally



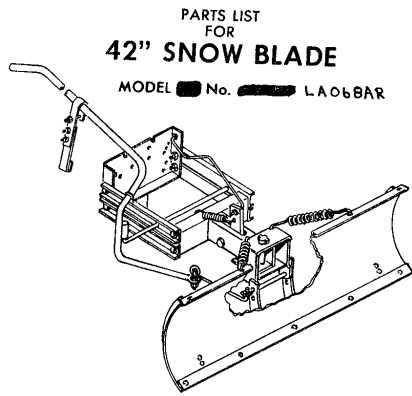
Repair Parts, PEC-301

REPAIR PARTS

LA05 Model Number PEC-301

KEY NO.	PART NUMBER	DESCRIPTION	REQ'D.
1	C-1-A	Tray and Support Assembly	1
2	C-4-N	Hitch Assembly	1
3	C-2-A	Bag Support Ring	1
4	STD-541050	Hex Nut, 1/2-13	3
5	STD	Lockwasher, 1/2 SAE	1
6	STD-525015	Hex Bolt, 1/2-13 x 1-1/2	3
7	C-3-A	Engine Support and Upright	1
8	C-10-A	Hose Clamp, 6" Dia.	4
9	C-18-A	Flex Hose, 6" Dia. x 40" Long	1
10	STD-533710	Carriage Bolt, 3/8-16 x 1	2
11	C-25-A	Boot Clamp Plate	1
12	STD-51037	Flat Washer, 3/8 SAE	2
13	STD-541237	Hex Nut, 3/8-16	6
14	B-361	Boot, 36" Hower Deck	1
16	C-27-A	Flex Hose, 6" Dia. x 36" Long	1
17	C-9-A	Blower Cone, 6" Dia.	1
18	W516182N	Wing Bolt, 5/16-18 x 2	2
19	W516182N	Wing Bolt, 5/16-18 x 2	2
19	C-11-A	Blower Blades (Set)	1
20	STD-551250	Internal Tooth Lockwasher, 1/2	2
21	STD-641231	Internal Tooth Lockwasher, 5/16	4
22	STD-623107	Hex Bolt, 5/16-24 x 7/8	4
23	C-16-A	Canvas Bag	1
24	C-17-A	Canvas Bag Cover	1
25	C-29-A	Full Cord Fastener	2
26	C-8-A	Blower Housing	1
27	143.654192	Tecumseh H35 45462L Model No. 143.654192	1
28	STD-523115	Hex Bolt, 5/16-18 x 1-1/2	4
29	STD-551131	Lockwasher, 5/16 SAE	4
30	STD-541131	Hex Nut, 5/16-18	4
31	STD-523725	Hex Bolt, 3/8-16 x 2-1/2	4
32	C-24-A	Reinforcing Angle	1
33	STD-551137	Lockwasher, 3/8 SAE	4
34	C-27-A	Wheel, 8-1/4" Dia. x 2-3/4 Wide	1
35	C-28-A	Caster Assembly	1
	PEC-301	Owner's Manual	1

Order All Replacement Parts For Model LA05  
PE-CO  
2807 Sweeten Creek Road.  
Asheville, N.C. 28803



**42" SNOW BLADE KIT PARTS LIST**

Order Parts From  
Peeco Inc.  
1902 South Main  
South Bend, Ind  
46613

Part No.	Description	Qty.	Part No.	Part No.	Description	Qty.	Part No.
1	Blade Assembly	1	110001	19	Latch, Lower	1	110071
2	Drawbar Assembly	1	110004	20	Screw, Hex. Hd. Cap (5/16" x 1 1/2")	2	20059
3	Frame Assembly	1	110002	21	Screw, Hex. Hd. Cap (5/16" x 1 1/2")	1	20060
4	Parallel Bar Assembly - Upper	1	110005	22	Screw, Hex. Hd. Cap (3/8" x 1 1/2")	8	20061
5	Parallel Bar Assembly - Lower	1	110006	23	Screw, Hex. Hd. Cap (3/8" x 1 1/2")	1	20043
6	Frame Mount Assembly	1	110007	24	Bolt, Chelega (1/4" x 2 3/4")	5	110010
7	Handle Assembly	1	120051	25	Bolt, Chelega (1/4" x 1 3/4")	4	110044
8	Blade Grip	1	120051	26	Bolt, Flat (1/4" x 1 1/2")	1	110044
9	Link, Index	1	20082	27	Washer, Med. Splitlock (1/4")	5	20012
10	Link, Pivot	1	20085	28	Washer, Med. Splitlock (3/8")	5	20014
11	Bar, Index	1	110008	29	Washer, Med. Splitlock (3/8")	5	20058
12	Latch, Upper	1	110007	30	Washer, Flat (5/16" x 3/4")	5	20018
13	Spring, Blade	2	80001	31	Nut, Hex (1/4" x 1/2")	8	20010
14	Spring, Tension	1	80001	32	Nut, Hex (5/16" x 1/2")	5	20020
15	Pin, Quarter	2	80002	33	Nut, Hex (5/16" x 1/2")	8	20010
16	Rod, Control	1	20080	34	Pin, Coner (1/8" x 1")	5	20010
17	Shaver, Parallel Bar	8	120058	35	Nut, Hex (5/16" x 1/2")	5	20010
18	Extension, Handle	1	20058	36	Handle Bar Grip	1	80001

MINIMUM PARTS ORDER \$5.00. ALL STANDARD HARDWARE ITEMS MAY BE PURCHASED LOCALLY.