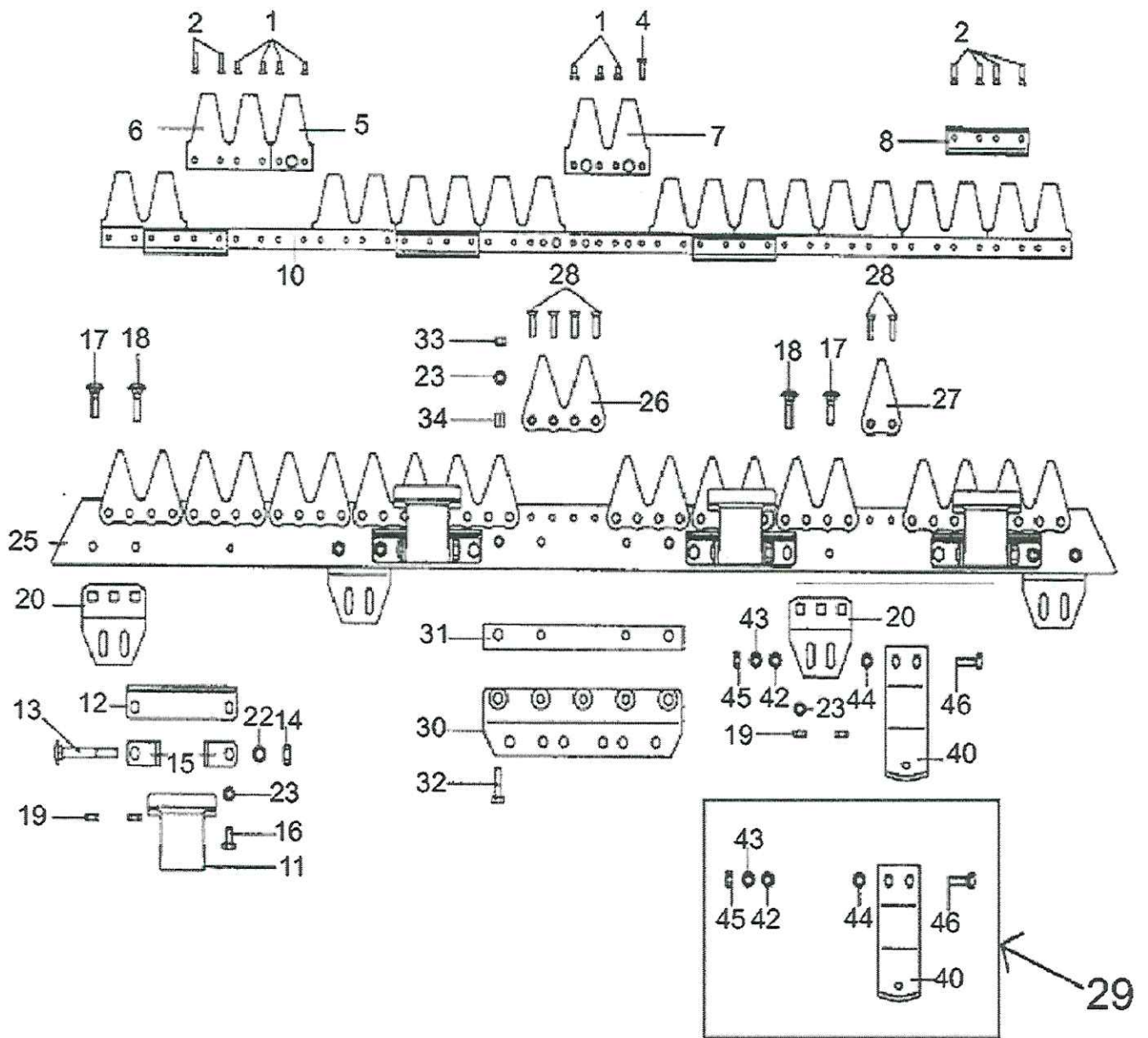


## Seite 1 für 126106

## Seite 1

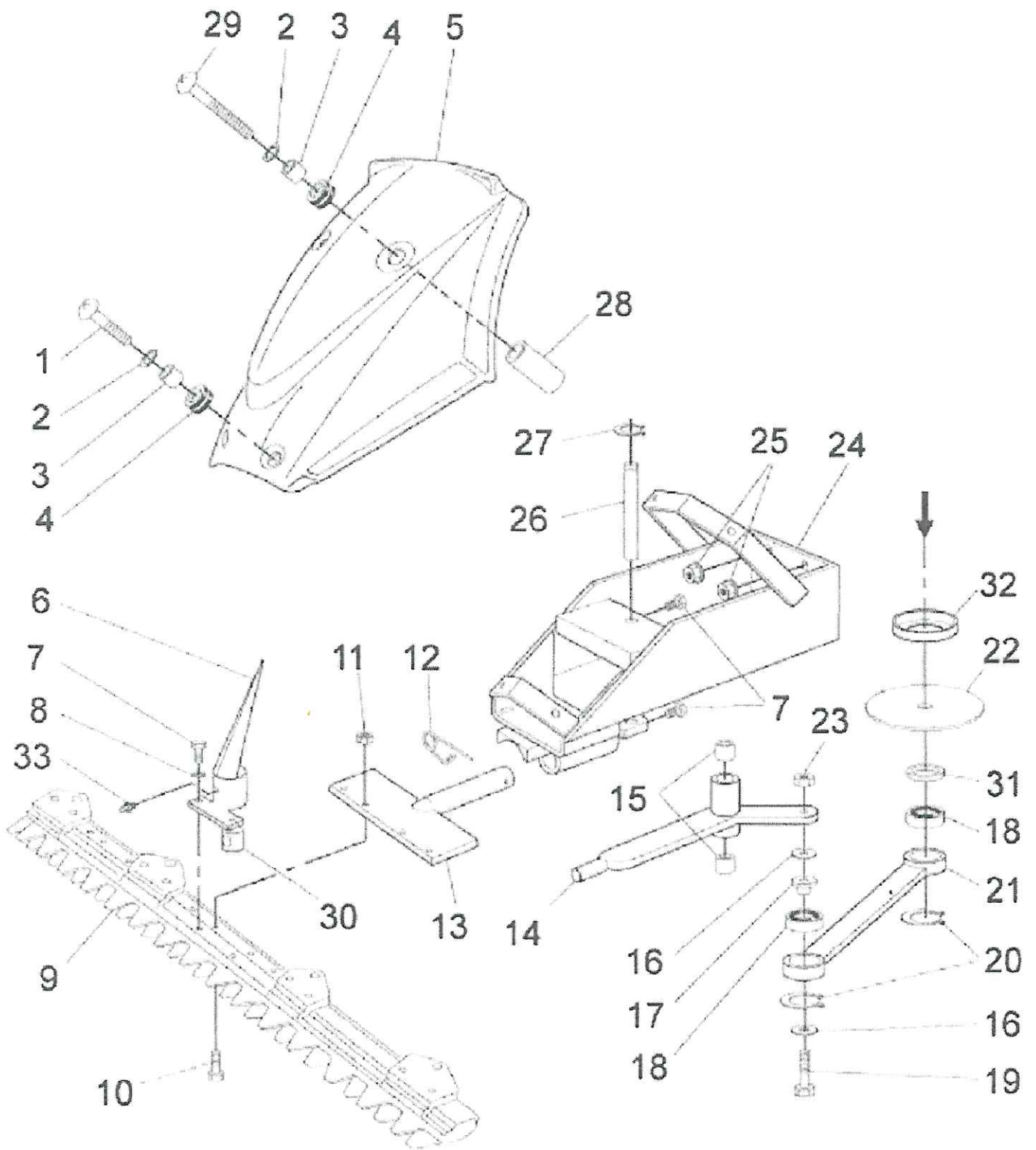
| POS №     | Artikelnummer | Name                            |
|-----------|---------------|---------------------------------|
|           | SL0200200180  | 6KT.SHR.M8X25 DIN931 +530       |
|           | SL0227000001  | MESSERBALKEN 91CM KPL.531       |
|           | SL619024      | GETRIEBE KPL. 531               |
| <b>1</b>  | SL0200600310  | NIET 5X12 SE.661+531            |
| <b>2</b>  | SL0227000020  | NIET 5X20 SE.661+531            |
| <b>5</b>  | SL0227000050  | MESSERKLINGE ESM 3441331+531    |
| <b>6</b>  | SL0227000060  | MESSERKLINGE DP.+531            |
| <b>7</b>  | SL0227000070  | MESSERKLINGE DP.ESM3441321 +531 |
| <b>8</b>  | SL0227000080  | MESSERFUEHRUNG 3320200 +531     |
| <b>10</b> | SL0227000101  | MAEHMESSER 91CM 531 ESM 2481960 |
| <b>11</b> | SL0227000110  | MESSERHALTER 332218 531         |
| <b>12</b> | SL0227000120  | BEILAGE 531                     |
| <b>13</b> | SL0227000130  | SHR.SET 6KT.SHR+MU+SHB +531     |
| <b>14</b> | SL0227000130  | SHR.SET 6KT.SHR+MU+SHB +531     |
| <b>15</b> | SL0227000150  | WINKEL 531                      |
| <b>16</b> | SL0200100380  | 6KT.SHR.M8X16 +530              |
| <b>17</b> | SL0227000170  | FL.RD.SHR.M8X20 +531            |
| <b>18</b> | SL0227000180  | FL.RD.SHR.M8X28 +531            |
| <b>19</b> | SL0200100080  | 6KT.MU.M8 +531                  |
| <b>20</b> | SL0227000200  | HALTER F.GLEITSOHLE +531        |
| <b>22</b> | SL0200600110  | FEDERRING 10 DIN 127B +530      |
| <b>23</b> | SL0200100070  | SCHEIBE8,4 DIN127B +530         |
| <b>25</b> | SL0227000251  | BALKENRUECKEN 91CM +531         |
| <b>26</b> | SL0227000260  | MESSERKLINGE DP. 531            |
| <b>28</b> | SL0207200090  | NIET 6X20 SE.661 531            |
| <b>29</b> | SL0227000290  | GLEITSOHLE KPL. 531             |
| <b>30</b> | SL            | SL                              |
| <b>31</b> | SL            | SL                              |
| <b>32</b> | SL            | SL                              |
| <b>33</b> | SL0200100060  | 6KT.MU.M8 +531                  |
| <b>34</b> | SL0208400220  | HUELSE 11X14 SPN.+531           |
| <b>40</b> | SL0207200200  | GLEITSOHLE +531                 |
| <b>42</b> | SL0200100070  | SCHEIBE8,4 DIN127B +530         |
| <b>43</b> | SL0200300160  | FEDERRING 8 DIN 128A +530       |
| <b>45</b> | SL0200100080  | 6KT.MU.M8 +531                  |
| <b>46</b> | SL0200200180  | 6KT.SHR.M8X25 DIN931 +530       |



## Seite 2 für 126106

## Seite 2

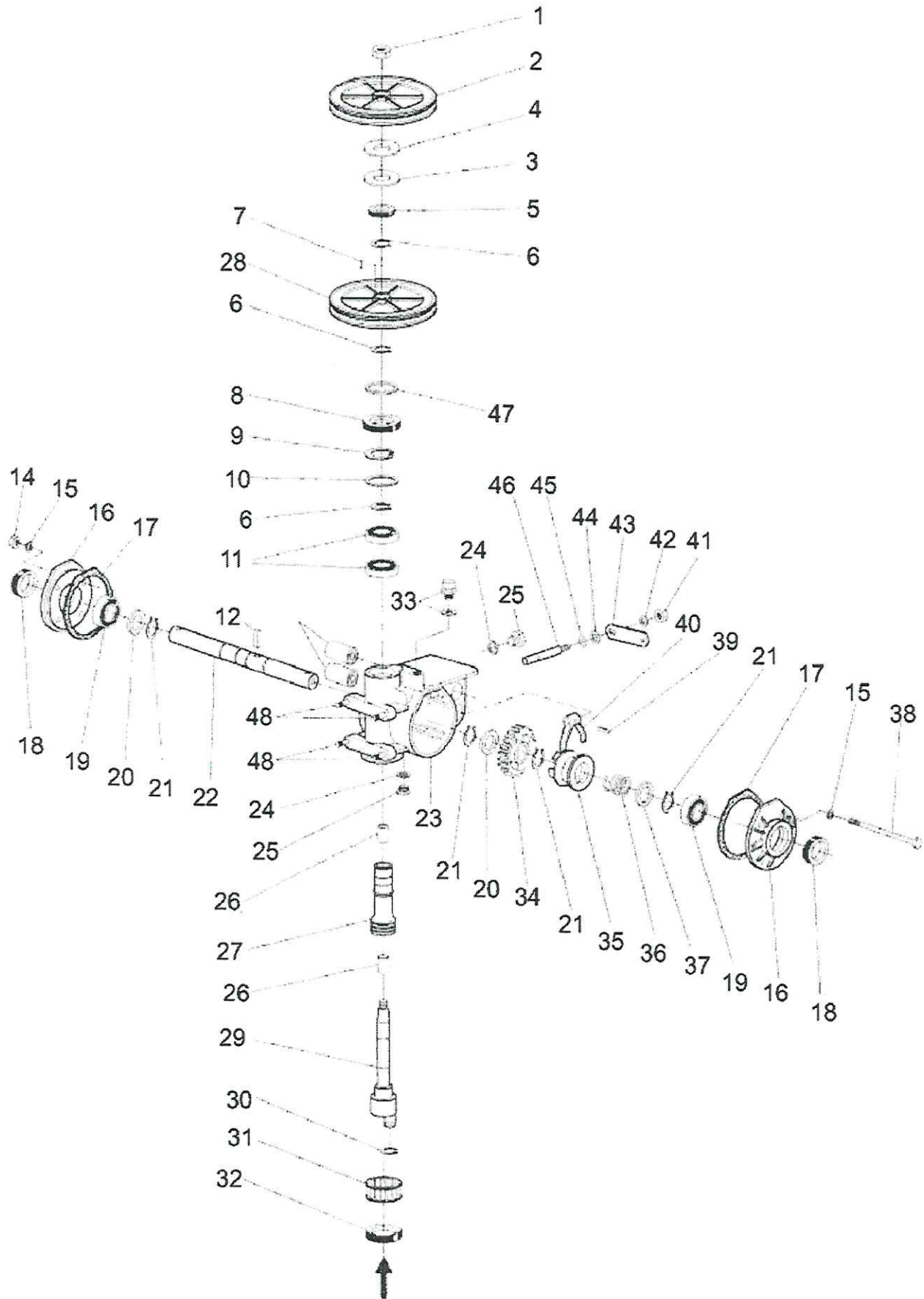
| POS № | Artikelnummer | Name                         |
|-------|---------------|------------------------------|
| 1     | SL0200600480  | SHR.M6X25 +531               |
| 2     | SL0200600490  | SCHEIBE 530/531/532          |
| 3     | SL0227100950  | HUELSE 530/532               |
| 4     | SL0227100940  | GUMMITUELLE 530/532          |
| 5     | SL0230800050  | HAUBE 531 F1900              |
| 6     | SL0221600810  | GRASVERTEILER 530/531        |
| 7     | SL0200100380  | 6KT.SHR.M8X16 +530           |
| 8     | SL0200300160  | FEDERRING 8 DIN 128A +530    |
| 9     | SL0227000001  | MESSERBALKEN 91CM KPL.531    |
| 10    | SL0200200180  | 6KT.SHR.M8X25 DIN931 +530    |
| 11    | SL0200200090  | 6KT.MU.M8 +531               |
| 12    | SL0200400020  | FEDERSTECKER 530/531         |
| 13    | SL0221700470  | TRAGBLECH 531                |
| 14    | SL0221700520  | MAEHSCHWINGE +531            |
| 15    | SL0221700510  | BUCHSE 530/531               |
| 16    | SL0227500910  | SCHEIBE12,4X20X0,8 531       |
| 17    | SL0222300710  | BUCHSE 12X12X22X16 531       |
| 18    | SL0206600450  | KUG.LAG.17X40X12 530/531/532 |
| 19    | SL0222300720  | 6KT.SHR.M12X1,5X50 +531      |
| 20    | SL0200100580  | SI.RING 40X1 471 530/531     |
| 21    | SL0222300730  | PLEUELSTANGE +531            |
| 22    | SL0230800220  | SCHEIBE109,8X22,3X1,0 531    |
| 23    | SL0232500020  | 6KT.MU.M12X1,5 30512-5.8ZN.  |
| 24    | SL0230800240  | MAEHWERKGEHAEUSE 531         |
| 25    | SL0222700120  | MUTTER M8 (SCHEIBE)          |
| 26    | SL0221700400  | ACHSE F.SCHWINGE 531         |
| 27    | SL0200100280  | SI.RING15X1 531              |
| 28    | SL0200200060  | DIST.ST.531                  |
| 29    | SL0230800290  | SHR.M6X70 531                |
| 30    | SL0221600700  | GLEITROLLE 530/531           |
| 31    | SL0230800310  | DIST.ST.34X22,3X2,8 531      |
| 32    | SL0230800320  | ABDECKSCHEIBE 531            |
| 33    | SL0206900220  | SCHMIERNIPPEL +530           |



## Seite 3 für 126106

## Seite 3

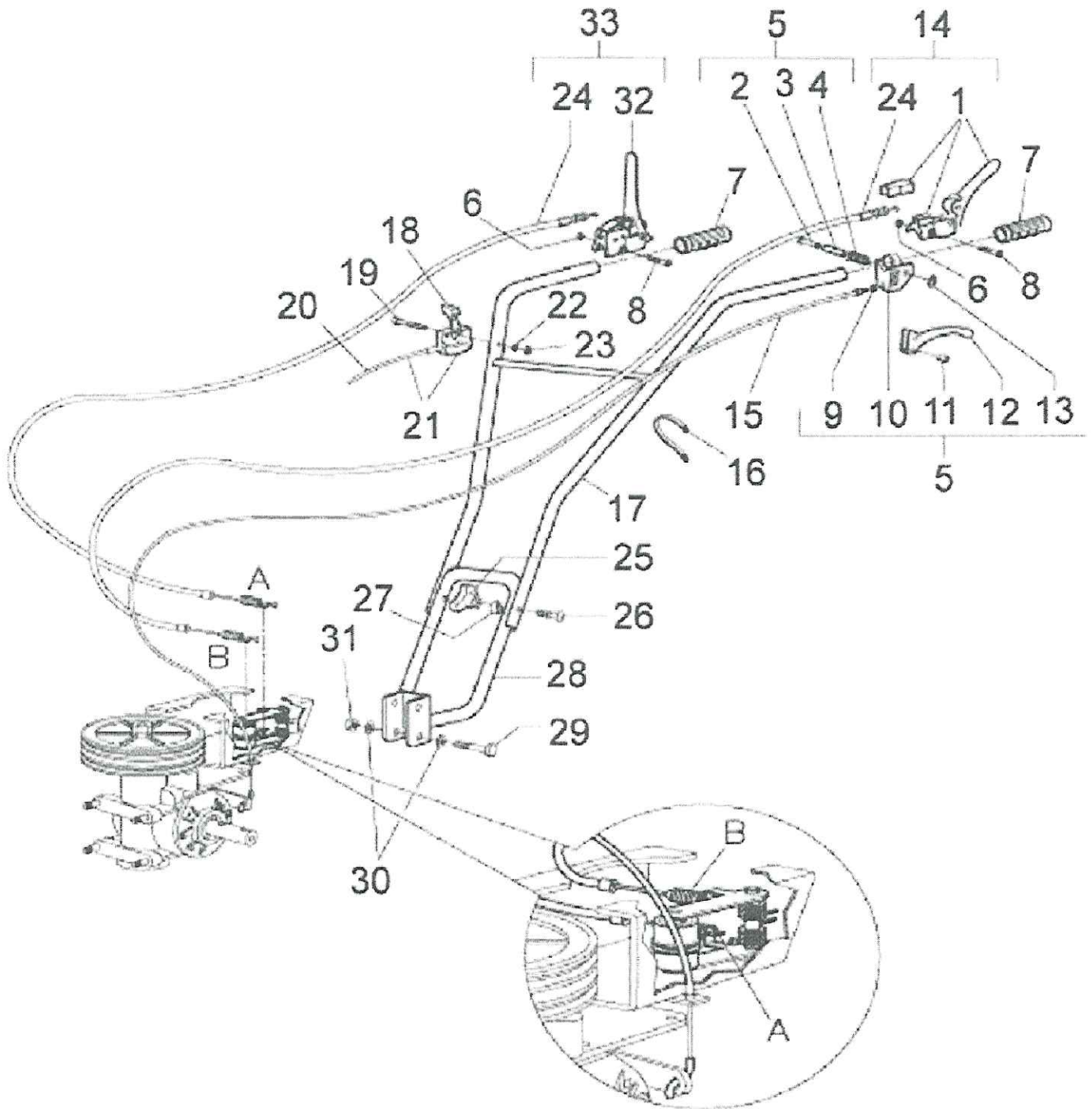
| POS № | Artikelnummer | Name                             |
|-------|---------------|----------------------------------|
| 1     | SL0203000060  | 6KT.MU.+530                      |
| 2     | SL0221700120  | KEILRIEMENSCHLEIBE 531/532/535   |
| 3     | SL0207800450  | SCHEIBE DIST. 532                |
| 4     | SL0230900040  | SCHEIBE20X36X1,5 531             |
| 5     | SL0230900050  | WD.RING20X26X4 531               |
| 6     | SL0222600050  | SI.RING35X1,5 471/531            |
| 7     | SL0200100480  | PASSFEDER 5X5X20 535             |
| 8     | SL0230900080  | WD.RING35X55X8 531               |
| 9     | SL0230900090  | SI.RING 531                      |
| 10    | SL0230900100  | SCHEIBE47X54X2 DIST. 531         |
| 11    | SL0230900110  | KUG.LAG.35X55X10 61907           |
| 12    | SL0227500720  | FEDER 12X8X32 PASS.531           |
| 13    | SL0206600330  | GI.METALL 531/532                |
| 14    | SL0200100010  | HUTMUTTER M8 +531                |
| 15    | SL0200100020  | SCHEIBE8,4 DIN 125B +531         |
| 16    | SL0206600260  | SEITENDECKEL +531                |
| 17    | SL0206600760  | DICHTUNG 531/532                 |
| 18    | SL0206600290  | WD.RING25X47X10 531/532          |
| 19    | SL0200100090  | KUG.LAG.25X52X15 6205 C4 531/532 |
| 20    | SL0200800220  | SCHEIBE26X35X0,1 DIST. 531/532   |
| 21    | SL0200700100  | SI.RING SEEGER 531/532           |
| 22    | SL0222300320  | RADWELLE +531                    |
| 23    | SL0230900230  | GETRIEBEGEHAEUSE 531             |
| 24    | SL0200900210  | DIC.16X22X1,6FIBER+531           |
| 25    | SL0225200740  | VERSCHLUSSSHR.OEL 531            |
| 26    | SL0230900260  | BUCHSE 531                       |
| 27    | SL0230900270  | SCHNECKENWELLE 531               |
| 28    | SL0230900280  | KEILRIEMENSHB.531                |
| 29    | SL0230900290  | WELLE 531                        |
| 30    | SL0200100540  | SI.RING SEEGER +530              |
| 31    | SL0221700620  | NADELLAGER +531                  |
| 32    | SL0221700630  | WD.RING 45X60X7 +531             |
| 33    | SL0228700780  | VERSCHLUSSSHR. 531               |
| 34    | SL0221700650  | SCHNECKENRAD 531                 |
| 35    | SL0221700660  | SCHALTMUFFE +531                 |
| 36    | SL0221700670  | FEDER DRK.531                    |
| 37    | SL0206600630  | SCHEIBE25X42X2 +530              |
| 38    | SL0206600640  | 6KT.SHR.M8X140 +531              |
| 39    | SL0201700920  | STIFT +531                       |
| 40    | SL0206600590  | SCHALTGABEL 531/532              |
| 41    | SL0200100080  | 6KT.MU.M8 +531                   |
| 42    | SL0200100050  | FEDERRING 8 DIN7980 +531         |
| 43    | SL0230900430  | STREBE 531                       |
| 44    | SL0227500910  | SCHEIBE12,4X20X0,8 531           |
| 45    | SL0206600470  | O.RING 12X2,5 531/532            |
| 46    | SL0221700340  | SCHALTWELLE 531                  |
| 47    | SL0204800190  | SCHEIBE DIST.531                 |
| 48    | SL0227501320  | STIFTSHR.M8X32 532               |



## Seite 4 für 126106

## Seite 4

| POS № | Artikelnummer | Name                             |
|-------|---------------|----------------------------------|
| 1     | SL0227100020  | HEBEL O.KABEL 530                |
| 2     | SL0228800330  | STIFT 531                        |
| 3     | SL0228800690  | HUELSE +531                      |
| 4     | SL0228800340  | FEDER SCHENKEL. 531              |
| 5     | SL0231000050  | HEBEL F.KUPPLUNG+531             |
| 6     | SL0201000110  | 6KT.MU.M6 +530                   |
| 7     | SL0227100010  | GRIFF 22 530                     |
| 8     | SL0222200140  | 6KT.SHR.M6X40 530/531            |
| 9     | SL0228800350  | SPEZIALMUTTER +531               |
| 10    | SL0231000100  | STÜTZE (HEBEL) 531               |
| 11    | SL0228800390  | KLEMME 532                       |
| 12    | SL0228800380  | HEBEL 531/532                    |
| 13    | SL0228800360  | SEEGERRING +531                  |
| 14    | SL0231000141  | BOWDENZUG M.HEBEL 531            |
| 15    | SL0231000150  | BOWDENZUG 531                    |
| 16    | SL0226910330  | KLEMMSCHELLE AB SN 5697 2007 531 |
| 17    | SL0231000170  | HOLMBUEGEL 531                   |
| 18    | SL0201500050  | GASHEBEL 531                     |
| 19    | SL0222200140  | 6KT.SHR.M6X40 530/531            |
| 20    | SL0231000200  | BOWDENZUG 531                    |
| 21    | SL0231000210  | BOWDENZUG KPL. 531               |
| 22    | SL0200100720  | SCHEIBE6,5X13X1,5 +531           |
| 23    | SL0200300120  | HUTMUTTER 531/532                |
| 24    | SL0231000241  | BOWDENZUG 2007 531               |
| 25    | SL0221900590  | MU.M8 FLG.530/531                |
| 26    | SL0221900600  | SCHRAUBE 530/531                 |
| 27    | SL0201400640  | SCHEIBE +530                     |
| 28    | SL0221600530  | HOLMHALTER                       |
| 29    | SL0201100890  | 6KT.SHR.M10X75 +531              |
| 30    | SL0201100340  | FEDERING 10 +530                 |
| 31    | SL0207810550  | 6KT.MU.M10 +531                  |
| 32    | SL0231010320  | HEBEL AB SN.5697 2007 531        |
| 33    | SL0231020330  | BOWDENZUG M.HEBEL AB SN.5697 20  |





## Seite 5 für 126106

## Seite 5

| POS N° | Artikelnummer | Name                            |
|--------|---------------|---------------------------------|
| 1      | SL36100530    | MOTOR HONDA GCV 135 531         |
| 2      | SL0200200090  | 6KT.MU.M8 +531                  |
| 3      | SL0231100030  | BOWDENZUGFUEHRUNG 531           |
| 4      | SL0221600730  | 6KT.SHR.M8X35 531               |
| 5      | SL0231100050  | 6KT.SHR.M4,2X13 531             |
| 6      | SL0222200440  | SCHUTZ F.RIEMENSCHLEIBE 531     |
| 7      | SL0231100070  | KEILRIEMEN 3V/300K 531/535      |
| 8      | SL0231100080  | KEILRIEMENSHB.531               |
| 9      | SL0201400890  | SCHEIBENFEDER4X6,5 530/531      |
| 10     | SL0200600110  | FEDERING 10 DIN 127B +530       |
| 11     | SL0227100300  | 6KT.SHR.+530                    |
| 12     | SL0201100340  | FEDERING 10 +530                |
| 13     | SL0201400770  | RIEMENSCHLEIBE 24X37X22         |
| 14     | SL0212100060  | KUG.LAG.10X26X8 6000 2RS 531    |
| 15     | SL0200600340  | 6KT.SHR.M10X20+530              |
| 16     | SL0201400901  | 6KT.SHR.M8X90 531               |
| 17     | SL0200100060  | 6KT.MU.M8 +531                  |
| 18     | SL0231100180  | SPANNHEBEL 531                  |
| 19     | SL0231100190  | FEDER 531                       |
| 20     | SL0231100200  | FEDER 531                       |
| 21     | SL0231100210  | HEBEL 531                       |
| 23     | SL0200300160  | FEDERING 8 DIN 128A +530        |
| 24     | SL0231100240  | ACHSE 531                       |
| 25     | SL0200600110  | FEDERING 10 DIN 127B +530       |
| 26     | SL0231100260  | PLATTE 531                      |
| 27     | SL0201400570  | 6KT.SHR.M6X16 531/532           |
| 28     | SL0200100720  | SCHEIBE6,5X13X1,5 +531          |
| 29     | SL0200100080  | 6KT.MU.M8 +531                  |
| 30     | SL0231100300  | TRAEGER 531                     |
| 31     | SL0203210230  | 6KT.MU.M10 531                  |
| 32     | SL0227501320  | STIFTSHR.M8X32 532              |
| 33     | SL0233600230  | KLAPPSTIFT 8X45 531             |
| 34     | SL0231100340  | ABDECKUNG F.ANTRIEBSWELLE 531   |
| 35     | SL0222200580  | SCHUTZ F.RADWELLE 531           |
| 36     | SL0222200570  | ZYL.SHR.M6X20 +531              |
| 37     | SL0231100370  | FELGE 531                       |
| 38     | SL0221600790  | SCHLAUCH6-3,50 530/531          |
| 39     | SL0221600780  | REIFEN 6X3,50 +530              |
| 40     | SL0231100400  | RAD L.3.50.6 M.BLECHROHR A.FELG |
| 41     | SL0231100410  | RAD R.3.50.6 M.BLECHROHR AUF FE |
| 42     | SL0201600160  | SI.RING 12X1 471+530            |
| 43     | SL0230300070  | DIST.ST.531                     |

