

Parts catalogue

Mini Tiller

(EXPORT MODEL)

SF60E

MODEL	CODE NO.
SF50AE	0016-△△△△△

CONTENTS

Fig.1	HANDLE & CHANGE LEVER-----	1
Fig.2	TRANSMISSION -----	5
Fig.3	ROTARY & TIRE -----	9

OREC CO.,LTD.

Update : January 2006

Fig. 1 HANDLE & CHANGE LEVER

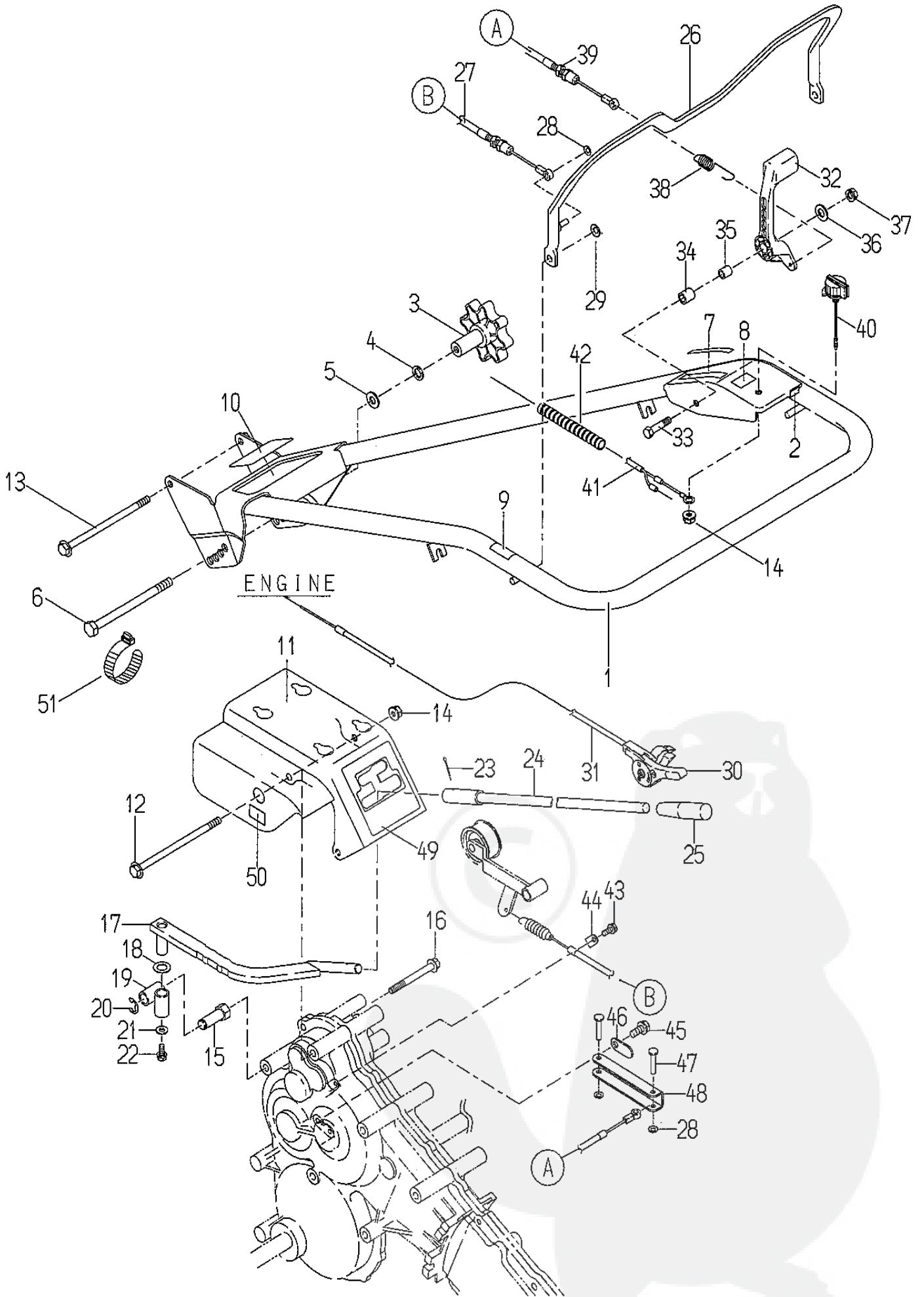


Fig. 1 Handle & Change Lever

Serial Number : WJ03D00005~

Ref.	Parts No.	Parts Name	Quantity	Remarks
			SF60E GX160	
			CE Type	
1	0016-10500	Handle CMP	1	*2)
2	0016-10300	Rubber 15L	1	
3	80-1260-228-00	Knob Nut M10	1	
4	89-1750-100002	Spring Washer 10	1	
5	89-1713-100002	Flat Washer 10	1	
6	0002-71000	Mini Hexagonal Bolt(8T) M10*145	1	
7	80-1417-906-00	Label, Differential Lock	1	
8	80-1260-939-00	Label, Engine Switch	1	
9	80-1260-937-00	Main Clutch Mark	1	
10	Not for sale	Label. Main	1	
11	80-1260-262-10	Gear Change Guide	1	
12	89-1253-081303	Small Flange Bolt (8T)M8*130	1	
13	89-1253-081403	Small Flange Bolt (8T)M8*140	1	
14	89-1631-080042	Flange Mini Hexagonal Nut M8	2	
15	80-1260-535-00	Tension Arm Shaft	1	
16	89-1253-080802	Mini Flange Bolt (8T) M8*80	1	
17	80-1260-263-20	Change Lever	1	
	0023-10410	Change Lever	1	*1)
18	83-1754-329-00	Washer 13*22*1.0	1	
19	80-1260-266-00	Change Lever Boss	1	
20	89-2521-000100	E-Type Stopper 10	1	
21	89-1713-060002	Washer 6	1	
22	83-1515-112-00	Hexagonal Bolt(SW) M6*14(Meck)	1	
23	89-2120-300252	Pin 3*25	1	
24	80-1260-264-00	Change Lever Arm	1	
25	83-1711-426-00	Lever Grip 12	1	
26	0016-10200	Clutch Lever	1	
27	83-1260-932-00	Main Clutch Wire	1	
28	83-1515-177-00	Push Nut 6	3	
29	83-1020-177-00	Push Nut 8	2	
30	83-1260-461-00	Throttle Lever	1	
31	83-1260-951-00	Throttle Wire	1	
32	80-1022-260-00	Differential Lock Lever	1	
33	89-1213-080402	Mini Hexagonal Bolt (8T) M8*40	1	
34	80-1260-234-10	Differential Lock Lever Collar	1	
35	80-1020-270-00	Inner Collar	1	
36	89-1713-080002	Washer 8	1	
37	89-1543-080002	Mini Hexagonal Nut(SW) M8	1	
38	80-1020-967-00	Change Spring	1	
39	83-1260-938-00	Differential Lock Wire	1	
	0016-73100	Differential Lock Wire	1	*1)
40	0016-72500	Engine Stop Switch	1	
41	80-1260-288-20	Engine Stop Wire Harness	1	
42	80-1260-225-00	Tube 10-200L	1	
43	83-1020-148-00	Hexagonal Tap Tight M6*14	1	
44	80-1515-186-00	Wire Holder	1	
45	80-1020-719-00	Hexagonal Tap Tight M8*18	1	
46	0023-00200	Differential Lock Arm Holder	1	
47	89-2181-060307	Flat-Headed Pin 6*30	2	
48	80-1260-275-10	Differential Lock Arm	1	
	0023-10800	Differential Lock Arm	1	*1)
49	80-1260-911-00	Label, Change	1	
	0016-71800	Label, Change	1	

Fig. 1 HANDLE & CHANGE LEVER

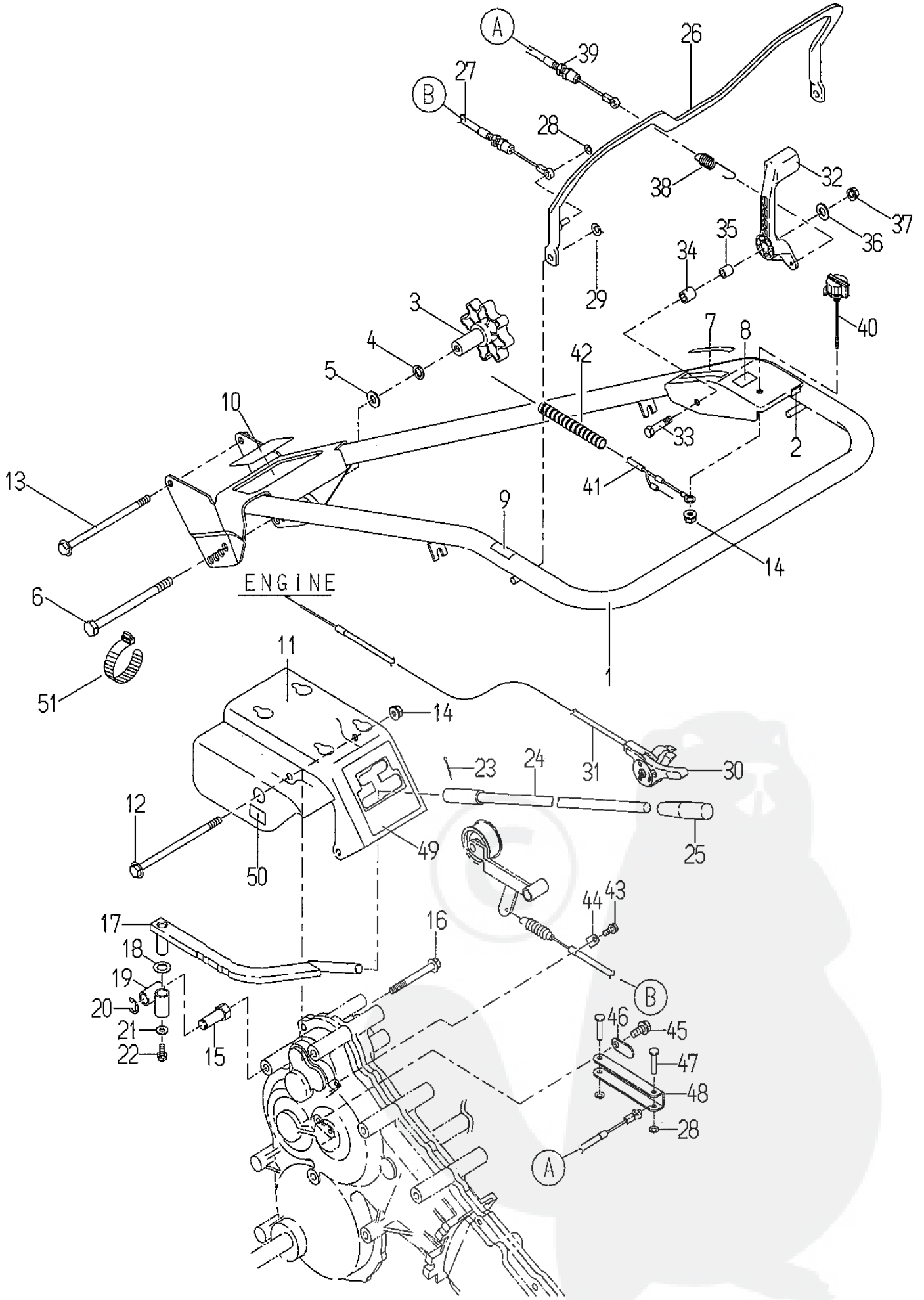


Fig. 1 Handle & Change Lever

Ref.	Parts No.	Parts Name	Quantity	Remarks
			SF60E GX160	
			CE Type	
50	80-1010-933-00	Label, CE	1	
51	83-1415-718-00	Wire Band 150	5	

Remark 1 : Supplied Parts 0023-00300 . 0023-10900 . 0023-10800(1 set)

- *1) Interchangeable
- *2) Serial Number : WJ03D00005~
- *3) Serial Number : ~WJ03D00028
- *4) Serial Number : WJ03J00029~
- *5) Serial Number : ~WJ03K00084
- *6) Serial Number : WJ03L00085~



Fig. 2 TRANSMISSION

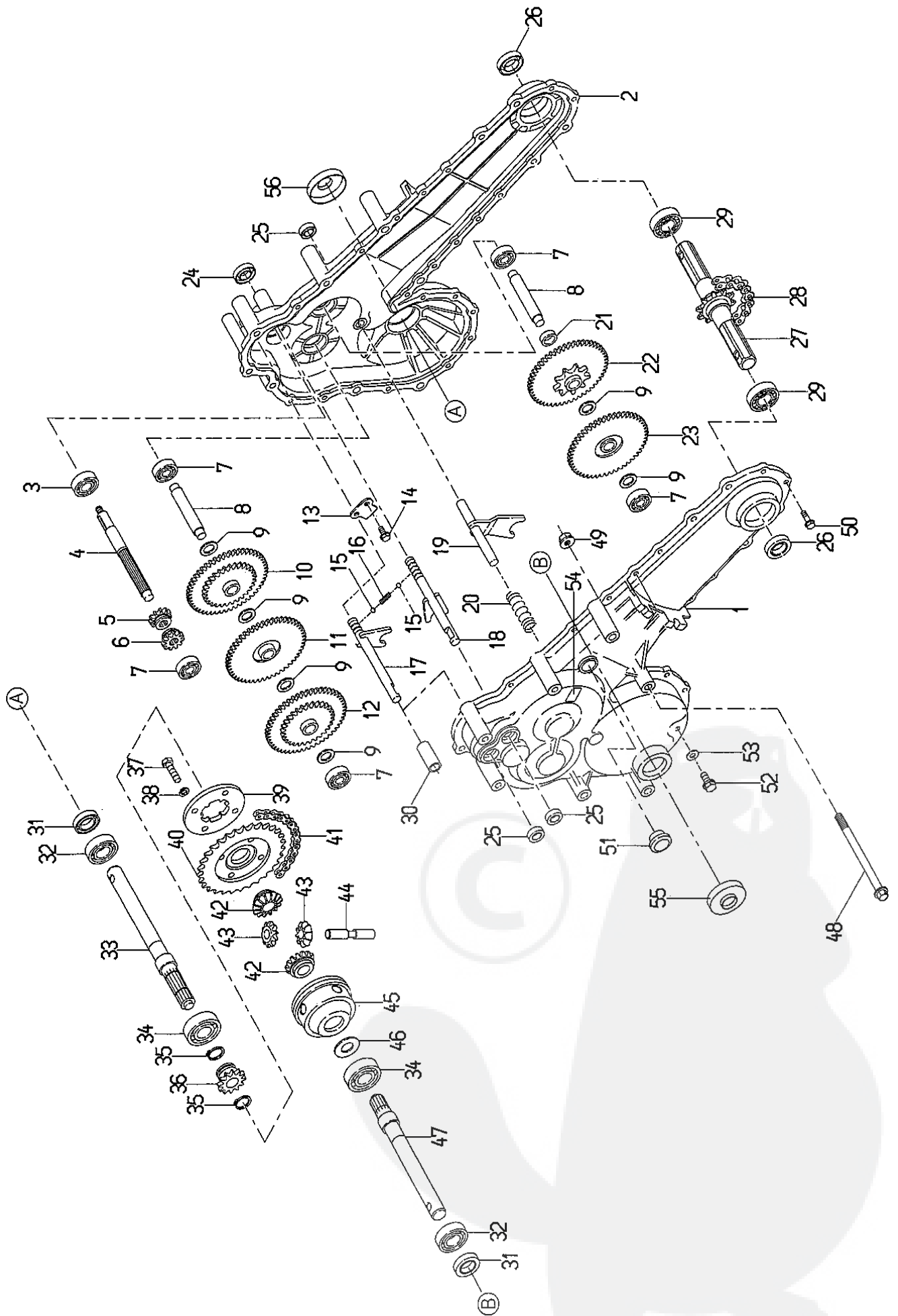


Fig. 2 Transmission

Ref.	Parts No.	Parts Name	Quantity	Remarks
			SF60E GX160	
			CE Type	
1-55	0023-00000	Gear Case ASSY	1	*2)
1	80-1260-101-00	Gear Case (L)	1	
2	80-1260-103-10	Gear Case (R)	1	*3) Remark 1
	0023-00300	Gear Case (R)	1	*4)
3	89-3111-062024	Bearing 6202	1	
4	80-1260-118-00	Main Shaft	1	
5	80-1260-122-20	Rotary Shift Gear 12T	1	*3)
	0023-00400	Rotary Shift Gear 12T	1	*1) *4)
6	80-1260-120-20	Shift Gear 11T	1	
7	89-3111-062014	Bearing 6201	5	
8	80-1260-127-10	Shaft	2	
9	83-1020-361-00	Thrust Washer 15*24*1	6	
10	0016-00400	Second Shaft 20T Rotary	1	
11	0016-00900	Second Shaft Sprocket 9T	1	
12	0016-00300	Second Shaft 20T	1	
13	80-1260-161-00	Shift Spring Holder	1	
14	83-1020-148-00	Hexagonal Tap Tight M6*14	2	
15	89-3410-060000	Steel Ball 6	2	
16	80-1805-160-20	Shift Spring	1	
17	80-1260-110-50	Rotary Shift Folk Shaft	1	
18	0023-00100	Main Shift Folk Shaft	1	
19	80-1260-116-00	Differential Lock Folk Shaft	1	*3)
	0023-10900	Differential Lock Folk Shaft	1	*4)
20	80-1260-117-00	Spring	1	
21	80-1260-139-10	Shaft Collar	1	
22	0016-00600	Third Shaft Sprocket 9T	1	
23	0016-00500	Third Shaft 12T	1	
24	89-5121-153007	Oil Seal UE 15.30.7	1	
25	89-5121-122207	Oil Seal UE 12.22.7	3	
26	83-1260-655-10	Oil Seal MUD 25.45.11	2	
27	0007-01400	Rotary Shaft	1	*2)
28	89-6513-520060	Chain #520-60L	1	
29	89-3111-060054	Bearing 6005	2	
30	80-1260-111-00	Rotary Shift Folk Shaft Collar	1	
31	89-5121-203508	Oil Seal UE 20.35.08	2	
32	89-3111-060044	Bearing 6004	2	
33	0016-00200	Shaft (R)	1	
34	89-3111-062044	Bearing 6204	2	
35	89-2511-000200	Shaft Stopper 20	2	
36	80-1260-148-00	Differential Clutch On	1	
37	83-1517-111-00	Hexagonal Bolt(8T) M8*30(Meck)	4	*3)
	0023-72300	Hexagonal Bolt(8T) M8*28(Meck)	4	*1) *4)
38	89-1750-080002	Spring Washer 8	4	
39	80-1260-156-00	Differential Clutch Men	1	
40	80-1260-154-00	Shaft Sprocket 30T	1	
41	89-6513-420042	Chain #420-42L	1	
42	80-1260-152-00	Differential Gear 14T	2	
43	80-1260-153-00	Pinion 10T	2	
44	80-1260-155-10	Differential Pinion Shaft	1	
45	80-1260-151-00	Differential Case	1	
46	83-1310-371-00	Thrust Wahser 20*30*1	1	
47	0016-00100	Shaft (L)	1	

Fig. 2 TRANSMISSION

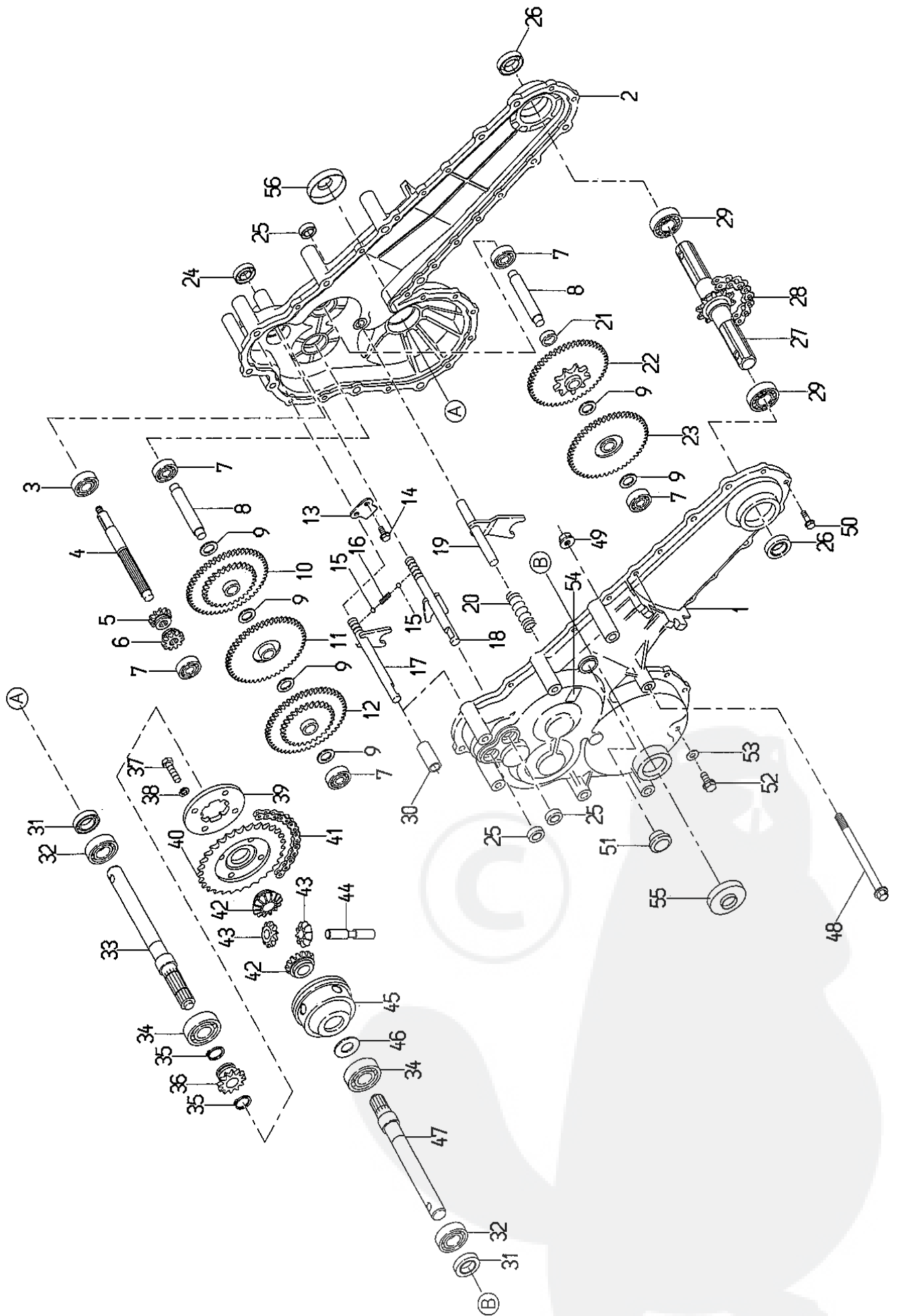


Fig. 2 Transmission

Ref.	Parts No.	Parts Name	Quantity	Remarks
			SF60E GX160	
			CE Type	
48	89-1253-081253	Small Flange Bolt (8T)M8*125	1	
49	89-1631-080043	Flange Mini Hexagonal Nut M8	1	
50	83-1515-148-00	Tap Tight M6*22	18	
51	83-1517-685-00	Oil Cap 20	1	
52	89-1251-080123	Mini Flange Hexagonal Bolt M8*12	1	
53	83-1415-348-00	Packing 8.5*16*1.3	1	
54	83-1260-928-00	Label, Oil Quantity 2.5	1	
55	0016-01100	Axle Dust Cover	2	

Remark 1 : Supplied Parts 0023-00300 . 0023-10900 . 0023-10800(1 set)

*1) Interchangeable

*2) Serial Number : WJ03D00005~

*3) Serial Number : ~WJ03D00028

*4) Serial Number : WJ03J00029~

*5) Serial Number : ~WJ03K00084

*6) Serial Number : WJ03L00085~

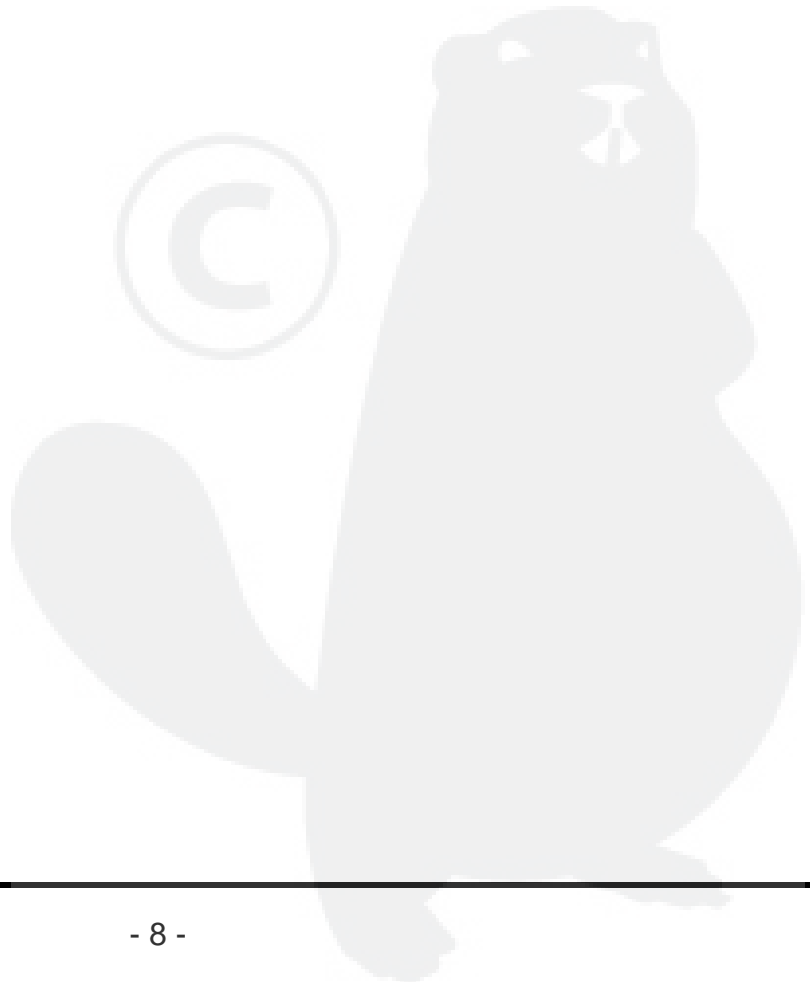
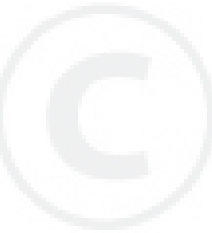


Fig. 3 ROTARY & TIRE

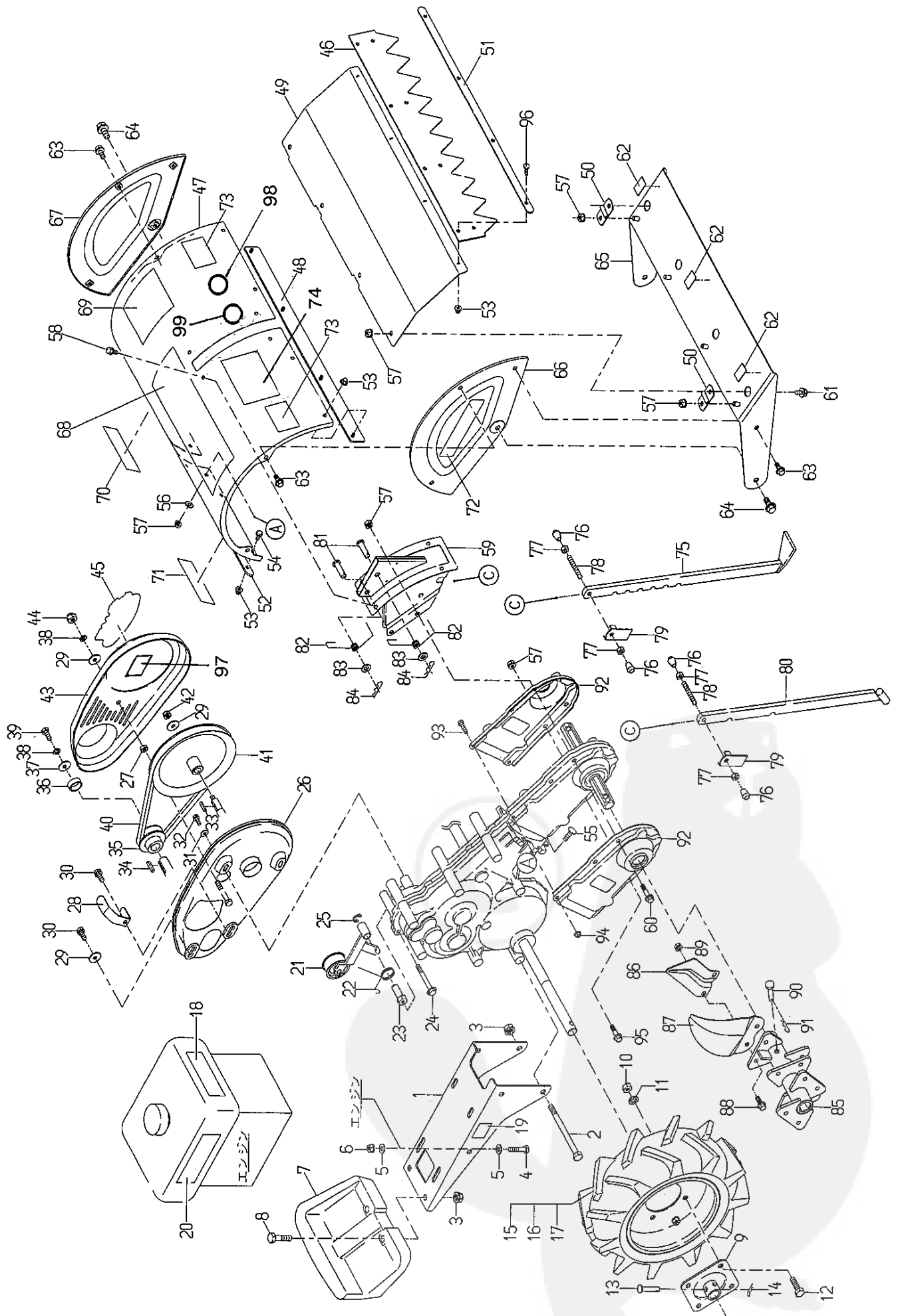


Fig. 3 Rotary & Tire

Ref.	Parts No.	Parts Name	Quantity	Remarks
			SF60E GX160	
			CE Type	
1	80-1260-301-00	Engine Base	1	
	0023-20100	Engine Base	1	*1)
2	89-1213-101352	Mini Hexagonal Bolt(8T) M10*135	2	
3	89-1543-100002	Mini Hexagonal Nut(SW) M10	4	
4	89-1213-080402	Mini Hexagonal Bolt(8T) M8*40	4	
5	89-1713-080002	Washer 8	6	
6	89-1543-080002	Mini Hexagonal Nut(SW) M8	4	
7	80-1260-343-10	Balance Weight	1	
8	89-1213-100452	Mini Hexagonal Bolt(8T) M10*45	2	
9	80-1260-414-00	Wheel Boss	2	
10	89-1511-100042	Hexagonal Nut M10	8	
11	89-1750-100002	Spring Washer 10	8	
12	89-1111-100202	Hexagonal Bolt M10*20	8	
13	83-1260-154-00	Flat-Headed Pin 9*45	2	
14	89-2131-100002	Snap Pin 10	2	
15-17	80-1260-411-00	Tire ASSY(3.50*7)	2	
15	80-1260-401-10	Tire(3.50*7)	2	
16	80-1260-404-00	Tube	2	
17	80-1260-407-00	Wheel	2	
18	83-1415-909-00	Sticker for Engine (Z18-6)	1	*5)
	0223-76200	Label, Caution for Engine etc	1	*1) *6)
	0214-72100	Label, Caution for Engine etc	1	*1)
19	Not for sale	Label, Serial No.	1	
20	0023-70300	Label, Model	1	*2)
21	80-1260-542-10	Tension Pulley	1	
22	80-1260-552-00	Spring	1	
23	80-1260-535-00	Tension Shaft	1	
24	89-1253-080702	Mini Flange Bolt(8T) M8*70	1	
25	89-2521-000100	E-Type Stopper 10	1	
26	80-1260-501-00	Belt Cover In	1	
27	89-1561-080002	Mini Hexagonal U Nut M8	1	
28	80-1260-575-10	Belt Holder	1	
29	89-1713-080002	Washer 8	3	
30	89-1232-080202	Hexagonal Bolt(SW) M8*20	2	
31	89-1713-060002	Washer 6	2	
32	83-1020-148-00	Hexagonal Tap Tight M6*14	2	
33	89-2150-050250	Key 5*25	1	
34	Engine parts	Key	1	
35	80-1260-514-00	Engine Pulley(H.M.K)	1	
36	80-1260-517-00	Pulley Collar 10L(M.C.H)	1	
37	83-1020-312-00	Washer 8*32*3.2	1	
38	89-1750-080002	Spring Washer 8	2	
39	89-1253-080202	Mini Flange Bolt(8T) M8*20	1	
	89-1213-080202	Mini Hexagonal Bolt (8T) M8*20	1	*1)
40	89-6122-003202	V Belt SA32W400-P	1	
41	80-1260-521-00	Transmission Pulley	1	
42	89-1543-080002	Mini Hexagonal Nut(SW) M8	1	
43	80-1260-502-00	Belt Case Out	1	
44	89-1673-080042	Mini Hexagonal Cap Nut M8	1	
45	80-1260-906-00	Label 2, PICO	1	
46	80-1260-781-00	Rear Flapper A	1	
47	0016-60410	Rotary Cover	1	*2)

Fig. 3 ROTARY & TIRE

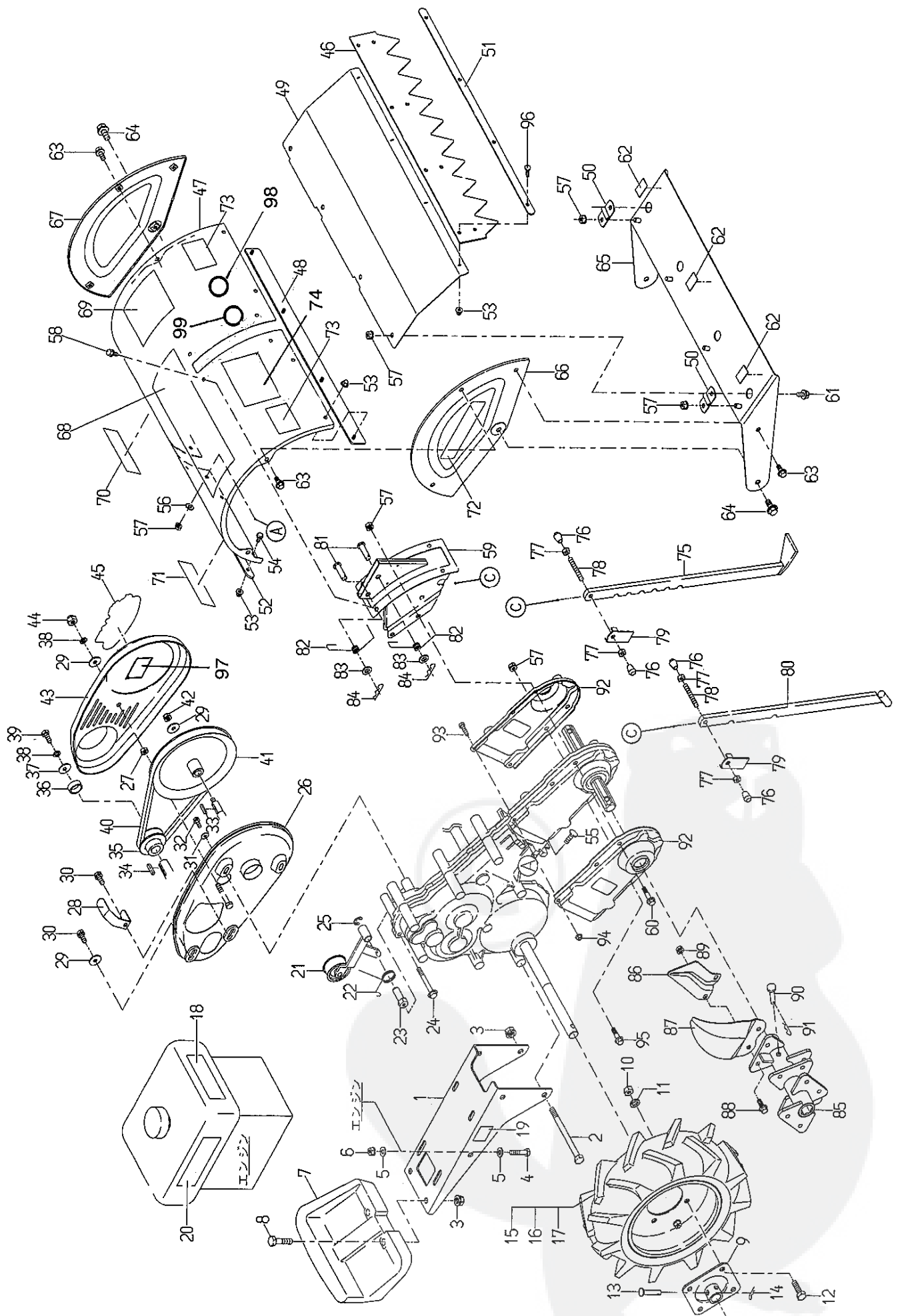


Fig. 3 Rotary & Tire

Ref.	Parts No.	Parts Name	Quantity	Remarks
			SF60E GX160	
			CE Type	
48	80-1260-738-00	Rear Plate Setting	1	
49	0016-60800	Rotary Rear Cover	1	*2)
50	83-1806-757-00	Hinge	4	
51	80-1260-786-00	Flapper Holder	1	
52	80-1260-736-00	Rotary Cover Reinforcement	1	
53	89-1581-060042	Flange Cap Nut M6	12	
54	89-1137-060152	Hexagonal Bolt(PW) M6*15	4	
55	89-1390-080302	Welded Bolt M8*30	4	
56	89-1713-080002	Washer 8	4	
57	89-1543-080002	Mini Hexagonal Nut(SW) M8	16	
58	89-1232-080122	Mini Hexagonal Bolt(SW) M8*12	4	
	89-1232-080142	Mini Hexagonal Bolt(SW) M8*14	4	*1)
59	0016-61100	Case	1	*2)
60	89-1253-080352	Mini Hexagonal Bolt(8T) M8*35	2	
61	89-1253-080162	Flange Hexagonal Bolt (8T) M8*16	4	*2)
62	80-1415-509-00	Rubber	3	*2)
63	89-1236-080202	Mini Hexagonal Bolt (PWSW) M8*20	6	*2)
64	89-1236-100202	Mini Hexagonal Bolt (PWSW) M10*20	2	*2)
65	0016-60900	Rear Cover CMP	1	*2)
66	0016-60600	Side Cover (L)	1	*2)
67	0016-60700	Side Cover (R)	1	*2)
68	80-1260-905-00	Label 1, PICO	1	
69	80-1260-926-00	Label, Instruction	1	
	0016-71700	Label, Instruction	1	
70	80-1488-928-00	Label, Coution for Belt Involving	1	*5)
	80-1488-928-10	Label, Caution for Belt Involving	1	*1) *6)
71	83-1260-908-00	Attention Mark for Reversing	1	*5)
72	80-1260-903-00	Label, Company Name	2	
73	83-1260-909-00	Attention Mark for Rotary	2	*5)
	83-1260-909-10	Attention Mark for Rotary	2	*1) *6)
74	80-1484-A47-00	Label, Coution (Large)	1	*5)
	0223-76100	Label, Caution(large)	1	*1) *6)
75	80-1260-743-10	Bar for Tilling Depth Adjustment	1	
76	83-1260-423-00	Grip Rubber	4	
77	89-1611-080042	Mini Hexagonal Nut M8	4	
78	80-1260-745-00	Screw M8*58	2	
79	0023-60100	Resistant Bar Stopper	2	
80	80-1260-744-10	Resistant Bar	1	
81	89-2181-100352	Flat-Headed Pin 10*35	2	
82	80-1260-746-00	Spring	2	
83	89-1714-100002	Flat Washer 10	2	
84	89-2131-100002	Snap Pin 10	2	
85	0023-50100	Tine Shaft	2	*2)
86	0016-50200	Grass Discharging Plate	2	
87	80-1260-821-00	Tine for SF50	12	
88	89-1253-080202	Mini Flange Bolt(8T) M8*20	24	
89	89-1543-080002	Mini Hexagonal Nut(SW) M8	24	
90	83-1260-154-00	Flat-Headed Pin 9*45	2	
91	89-2131-100002	Snap Pin 10	2	
92	0010-03600	Protection Cover	2	
93	89-1113-060302	Hexagonal Bolt (8T) M6*30	2	
94	83-1712-194-00	Nut M6	2	

Fig. 3 ROTARY & TIRE

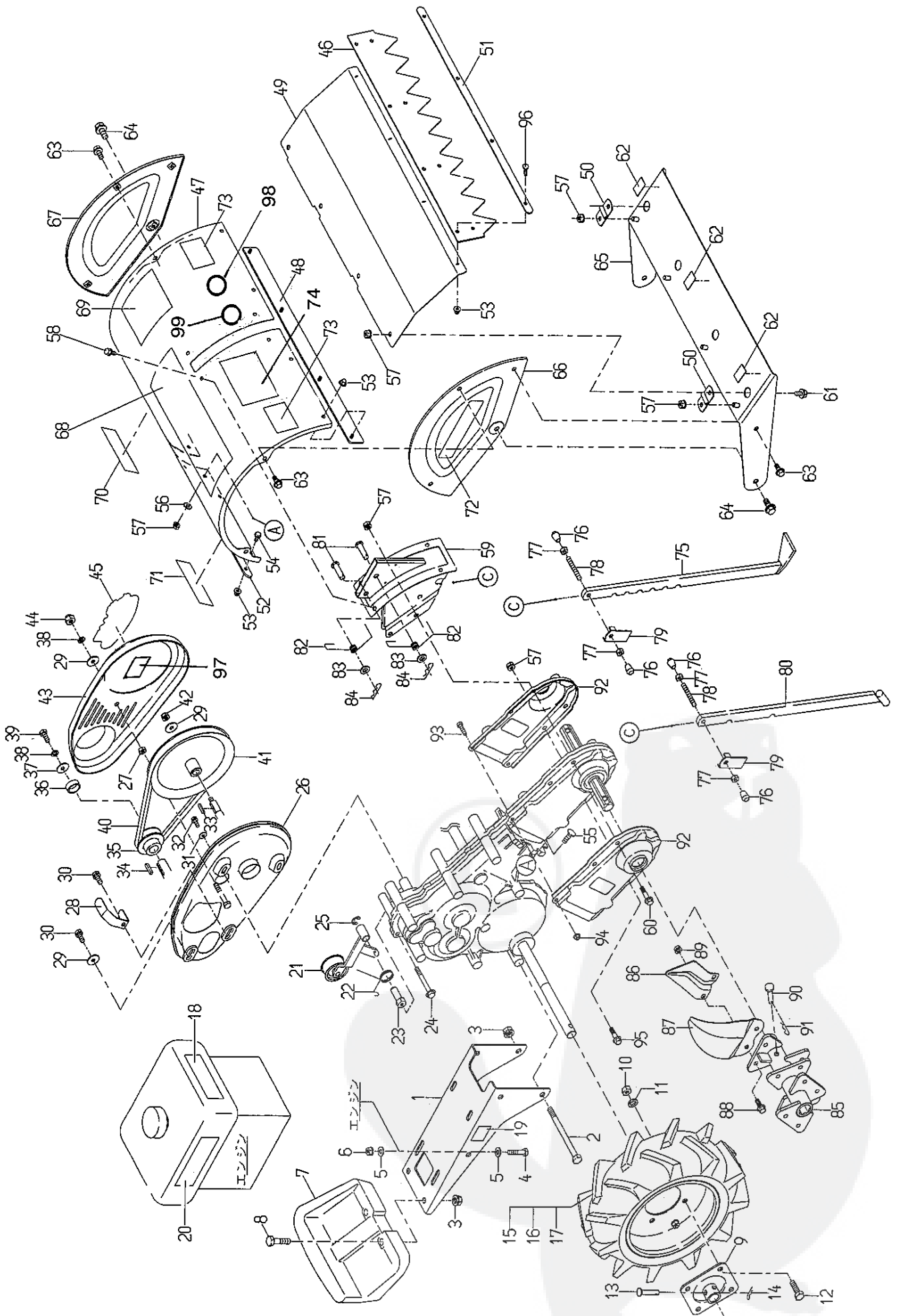


Fig. 3 Rotary & Tire

Ref.	Parts No.	Parts Name	Quantity	Remarks
			SF60E GX160	
			CE Type	
95	89-1253-080302	Small Flange Bolt (8T)M8*30	2	
96	89-1390-060122	Welded Bolt M6*12	4	
97	0016-71200	Label, Belt Size	1	
98	0215-83200	Label, Protection Equipment	1	*6)
99	0223-72900	Attention Mark for Slope	1	*6)
	0223-72910	Attention Mark for Slope	1	*1)

Remark 1 : Supplied Parts 0023-00300 . 0023-10900 . 0023-10800(1 set)

*1) Interchangeable

*2) Serial Number : WJ03D00005~

*3) Serial Number : ~WJ03D00028

*4) Serial Number : WJ03J00029~

*5) Serial Number : ~WJ03K00084

*6) Serial Number : WJ03L00085~

