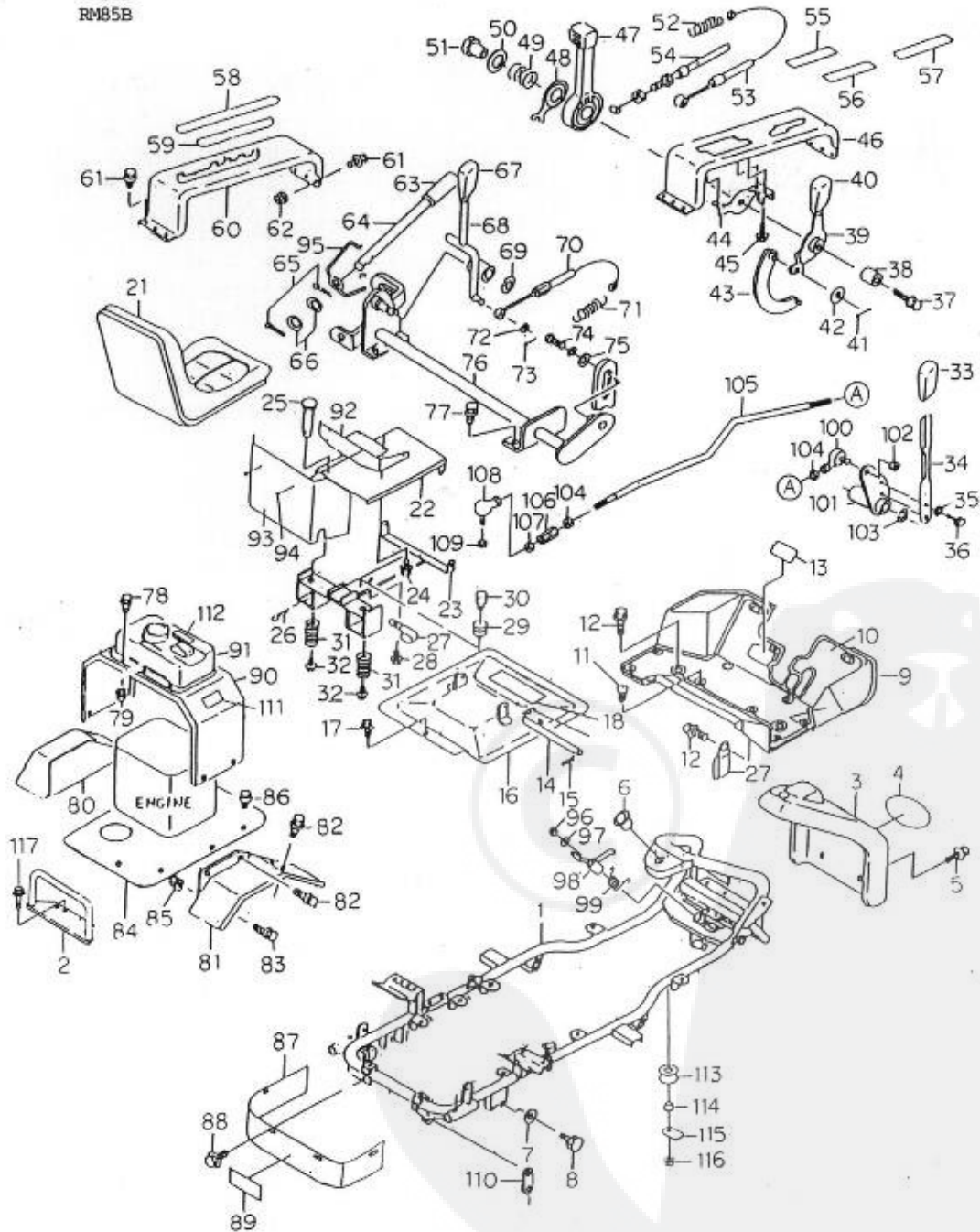


RM82B, 85B

FIG 1 FRAME & CONTROL

RM82B
RM85B



Ref.	Part No.	Part Name	Qty.		Remarks
			RM	RM	

			82B	85B
1	80-1484-A31-00	Main Frame CMP	1	1
2	80-1483-346-00	Engine Guard	1	1
3	80-1484-213-00	Front Cover	1	1
4	80-1484-904-00	Main Plate	1	1
5	89-1136-080202	Hexagonal Bolt(PWSW) M8X20	3	3
6	89-3511-022150	Collar DU Bush 22.15.33F	1	1
7	89-1711-100002	Flat Washer 10	4	4
8	89-1135-100202	Hexagonal Bolt(SW) M10X20	4	4
9	80-1484-365-00	Step	1	1
10	80-1488-366-00	Step Rubber	1	1
11	83-1484-369-00	Clip (5347)	9	9
12	89-1136-080162	Hexagonal Bolt(PWSW) M8X16	5	5
13	80-1484-A56-00	Label, Pedal Stopper	1	1
14	80-1481-487-00	Support Pin	1	1
15	89-2131-120002	Snap Pin 12	2	2
16	80-1484-491-00	Seat Bracket	1	1
17	89-1136-080202	Hexagonal Bolt(PWSW) M8X20	3	3
18	80-1484-A47-00	Label, Attention	1	1
21	80-1481-944-00	Seat GTP-4(black)	1	1
22	80-1484-485-00	Seat Receiver (Upper)	1	1
23	80-1484-486-10	Seat Receiver (Lower)	1	1
24	89-1136-080162	Hexagonal Bolt(PWSW) M8X16	4	4
25	89-2181-080602	Flat Head Pin 8X60	1	1
26	89-2131-080002	Snap Pin 8	1	1
27	80-1792-988-00	Harness Clip 8	2	2
28	89-1136-080162	Hexagonal Bolt (PWSW) M8X16	1	1
29	80-1484-495-00	Seat Switch Spring	1	1
30	80-1484-489-10	Bolt For Holding Spring	1	1
31	80-1484-494-00	Seat Spring	2	2
32	89-1136-080202	Hexagonal Bolt (PWSW) M8X20	2	2
33	83-1417-435-00	Arm Grip(red)	1	1
34	80-1484-263-10	Change Lever	1	1
35	89-1750-060002	Spring Washer 6	2	2
36	89-1113-060142	Hexagonal Bolt(8T) M6X14	2	2
37	89-1136-080302	Hexagonal Bolt(PWSW) M8x30	1	1
38	80-1020-270-00	Inner Collar	1	1
39	80-1488-273-00	Differential Lock Lever	1	1

40	80-1515-262-00	Arm Grip	1	1
41	89-2120-200152	Split Pin 2X15	1	1
42	89-1711-060002	Flat Washer 6	1	1
43	80-1481-287-00	Differential Lock Wire Joint	1	1
44	80-1484-266-10	Control Bracket	1	1
45	89-1137-060152	Hexagonal Bolt(PW) M6x15	3	3
46	80-1487-268-00	Change Guide	1	1
47	80-1020-265-00	Throttle Lever	1	1
48	80-1020-264-00	Control Washer	1	1
49	80-1020-263-00	Control Shaft Spring	1	1
50	89-1711-120003	Flat Washer 12	1	1
51	80-1020-262-00	Control Lever Shaft	1	1
52	80-1425-551-00	Differential Lock Spring	1	1
53	83-1484-937-00	Differential Lock Wire	1	1
54	83-1484-952-00	Throttle Wire	1	1
55	80-1484-A55-00	Label, Throttle	1	1
56	80-1484-A43-00	Label, Differential Lock	1	1
57	80-1484-A42-00	Label, Change	1	1
58	80-1484-A45-00	Label, Cutting Height Adjustment	1	1
59	80-1484-A44-00	Label, Blade	1	1
60	80-1484-281-00	Cutting Height Guide	1	1
61	89-1136-080202	Hexagonal Bolt (PWSW) M8X20	4	4
62	89-1631-080042	Flange Nut M8	2	2
63	83-1515-411-00	Handle Grip 15	1	1
64	80-1482-272-00	Cutting Height Adjustment Lever	1	1
65	89-2120-300252	Split Pin 3X25	2	2
66	83-1630-342-00	Washer 16X26X2.3	2	2
67	80-1484-262-00	Arm Grip (Red)	1	1
68	80-1488-285-00	Knife Clutch Lever	1	1
69	89-2521-000120	E-Type Ring 12	1	1
70	83-1481-947-00	Blade Clutch Wire	1	1
71	80-1482-558-10	Spring For Knife Tension	1	1
72	89-1711-060002	Flat Washer 6	1	1
73	89-2120-200152	Split Pin 2X15	1	1
74	89-1135-080252	Hexagonal Bolt(SW) M8X25	2	2
75	83-1020-312-00	Washer 8X30X3.2	2	2
76	80-1488-742-00	Shaft For Adjusting Up/Down CMP	1	1
77	89-1135-100202	Hexagonal Bolt(SW) M10X20	4	4

78	89-1137-060152	Hexagonal Bolt(PW) M6x15	6	6
79	83-1575-189-00	Flange Bag Nut M6	6	6
80	80-1484-461-00	Fender (L)	1	1
81	80-1484-462-00	Fender (R)	1	1
82	89-1136-080162	Hexagonal Bolt(PWSW) M8X16	2	2
83	89-1136-080202	Hexagonal Bolt(PWSW) M8X20	2	2
84	80-1484-311-10	Engine Base	1	1
85	89-1631-080042	Flange Nut M8	2	2
86	89-1136-080202	Hexagonal Bolt(PWSW) M8X20	7	7
87	80-1484-503-00	Rear Belt Cover	1	1
88	89-1136-080162	Hexagonal Bolt(PWSW) M8X16	4	4
90	80-1483-473-00	Tank BK (With Rubber)	1	1
91	Engine Parts	Fuel Tank CMP (KawasakiI)	1	1
91	Engine Parts	Filter (Kawasaki)	1	1
91	Engine Parts	Gauge (Kawasaki)	1	1
91	Engine Parts	Cap Assy (Kawasaki)	1	1
93-94	80-1487-480-00	Wind Shield Assy	1	1
92	80-1487-484-00	Plate For Attaching Wind Shield	1	1
93	80-1487-483-00	Wind Shield	1	1
94	83-1484-369-00	Clip (5347)	4	4
95	80-1487-274-00	Cutting Height Lever Spring	1	1
96	89-1551-100002	U Nut M10	1	1
97	89-1711-100002	Flat Washer 10	1	1
98	80-1484-355-00	Brake Stopper	1	1
99	80-1484-356-00	Brake Stopper Return Spring	1	1
100	80-1481-962-00	Link Ball BL8D(L)	1	1
101	80-1484-178-00	Change Lever Boss	1	1
102	89-1541-080002	Hexagonal Nut(SW) M8	1	1
103	89-2521-000150	E-Type Ring	1	1
104	83-1481-178-00	Nut(L) M8	1	1
105	80-1484-A22-00	Shift Rod	1	1
106	80-1481-269-00	Turn Buckle	1	1
107	89-1613-080042	Hexagonal Nut M8	1	1
108	80-1481-963-00	Link Ball BL8D(L)	1	1
109	89-1541-080002	Hexagonal Nut(SW) M8	1	1
110	80-1484-A21-00	Spacer for Transmission	1	1
112	80-1415-909-00	Label, Caution around Engine	1	1
113	89-3511-010150	Collar DU Bush 10.15.18F	1	1

114	80-1484-354-00	Brake Rod Roller	1	1
115	80-1484-364-00	Plate for Brake Rod	1	1
116	89-1541-080002	Hexagonal Nut(SW) M8	1	1

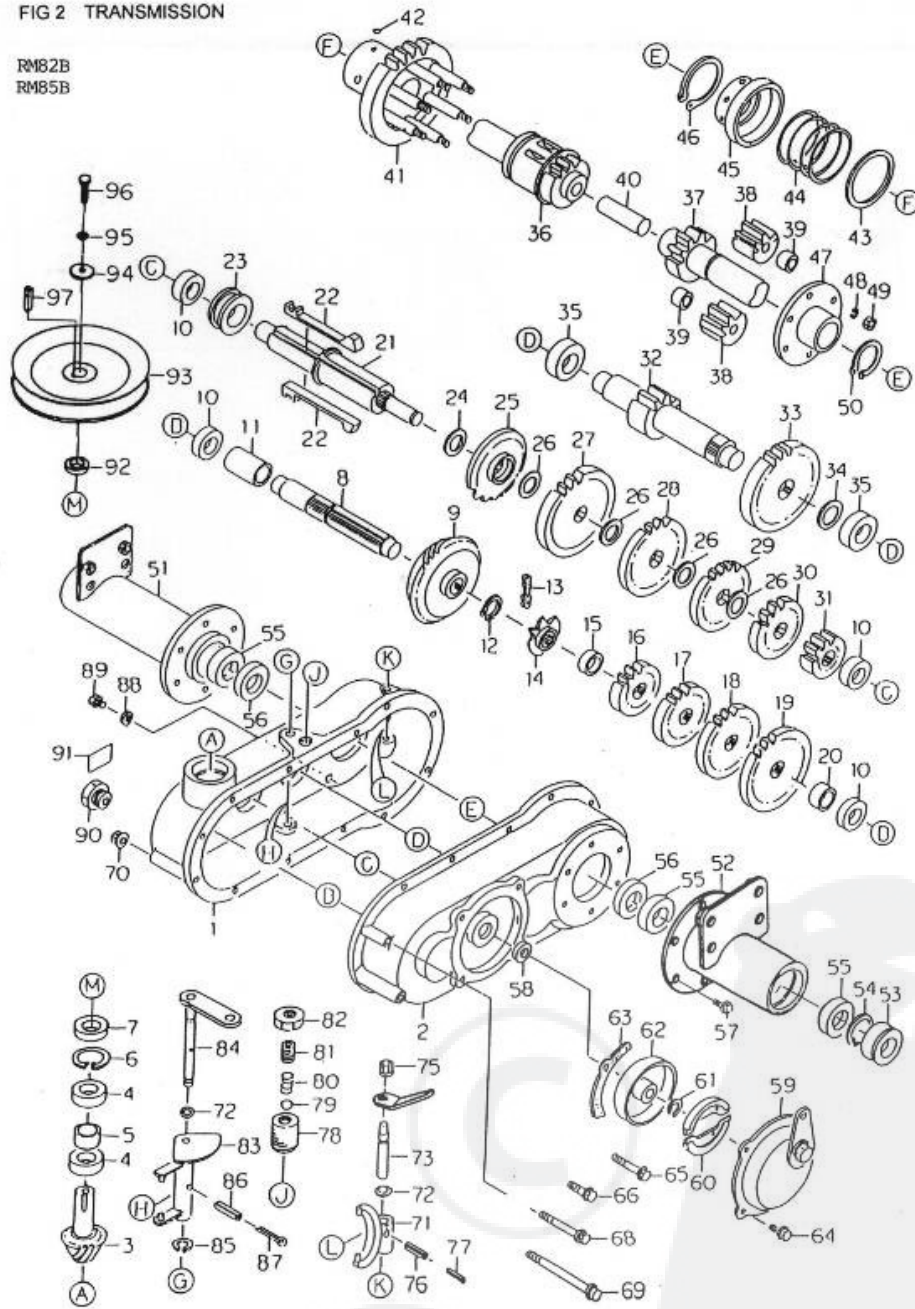
M E M O
Serial Number RM82B : After XF96M00060
Serial Number RM85B : After XG96M00001
Fuel Tank Assy(Ref. 91)

--



FIG 2 TRANSMISSION

RM82B
RM85B



Ref.	Part No.	Part Name	Qty.		Remarks
			RM 82B	RM 85B	
1-91	80-1484-A10-00	Transmission Assy	1	1	
1	80-1482-101-00	Transmission Case (Left)	1	1	
2	80-1482-103-00	Transmission Case (Right)	1	1	

3	80-1481-118-00	A Axle 15T	1	1
4	89-3115-062024	Bearing 6202 2RS	2	2
5	80-1482-119-00	A Axle Collar	1	1
6	89-2512-000350	Snap Ring 35	1	1
7	89-5111-153507	Oil Seal AD 15.35.7.	1	1
8	80-1482-122-00	B Axle	1	1
9	80-1482-127-00	Bevel Gear 45T	1	1
10	89-3111-062024	Ball Bearing (6202)	4	4
11	80-1482-131-00	Collar 18x22x34	1	1
12	89-2511-000170	Snap Ring 17	1	1
13	89-6513-420024	Chain #420-24L	1	1
14	80-1482-128-00	B Axle Sprocket 8T	1	1
15	80-1482-129-00	Collar 18x22x7	1	1
16	80-1481-123-00	B Axle Gear 18T	1	1
17	80-1481-124-00	B Axle Gear 25T	1	1
18	80-1481-125-00	B Axle Gear 33T	1	1
19	80-1481-126-00	B Axle Gear 40T	1	1
20	80-1482-130-00	Collar 18x22x11	1	1
21	80-1482-132-00	C Axle	1	1
22	80-1482-113-00	Shift Key	2	2
23	80-1481-111-00	Shift Key Holder	1	1

24	80-1481-139-00	C Axle Washer 29x40x1.0	1	1
25	80-1482-138-00	Sprocket 18T	1	1
26	80-1482-139-00	C Axle Washer 29x44x1.0	4	4
27	80-1482-137-00	C Axle Gear 48T	1	1
28	80-1482-136-00	C Axle Gear 41T	1	1
29	80-1482-135-00	C Axle Gear 33T	1	1
30	80-1482-134-00	C Axle Gear 26T	1	1
31	80-1482-133-00	C Axle Gear 12T	1	1
32	80-1482-142-00	D Axle 9T	1	1
33	80-1482-144-00	D Axle Gear 36T	1	1
34	83-1830-368-00	Thrust Washer 18X26X1.0	1	1
35	89-3111-062034	Bearing 6203	2	2
36	80-1482-146-00	Axle (Left) CMP	1	1
37	80-1482-147-00	Axle (Right) CMP	1	1
38	80-1481-152-00	Differential Lock Gear 11T	4	4
39	80-1481-155-00	Differential Lock Gear Axle Collar	4	4
40	80-1415-150-00	Axle Pin	1	1
41	80-1481-148-00	Axle Gear CMP	1	1
42	89-3410-075000	Steel Ball 7.5	3	3
43	83-1830-382-00	Thrust Washer	1	1
44	80-1751-162-00	Side Clutch Spring	1	1

45	80-1425-143-00	Differential Lock Cone	1	1	
46	89-2511-000400	Snap Ring 40	1	1	
47	80-1481-151-00	Differential Plate	1	1	with bush 28.30
48	89-1750-100002	Spring Washer 10	6	6	
49	89-1513-100042	Hexagonal Nut(3 Sorts) M10	6	6	
50	89-2511-000280	Snap Ring 28	1	1	
51	80-1484-A11-00	Axle Case(L)	1	1	
52	80-1484-A12-00	Axle Case (R)	1	1	
53	83-1415-663-00	Oil Seal AP30.47.7	2	2	
54	89-2512-000470	Snap Ring 47	2	2	
55	89-3115-060054	Ball Bearing 6005, 2RS	4	4	
56	89-5121-284708	Oil Seal UE 28.47.8.	2	2	
57	83-1482-143-00	Hexagonal Tap Tight M8x25	12	12	
58	89-5121-153007	Oil Seal UE 15.30.7	1	1	
59-	80-1482-280-6300	Brake Assy	1	1	ref.59-63
59	80-1030-271-00	Brake Cap Assy	1	1	
60	80-1030-284-00	Brake Shoe(PA-7)	2	2	
61	89-2511-000150	Snap Ring 15	1	1	
62	80-1030-282-00	Brake Durm(PA-7)	1	1	
63	80-1030-288-00	Brake Cover PK(PA-7)	1	1	
64	83-1020-148-00	Hexagonal Tap Tight M6x14	4	4	

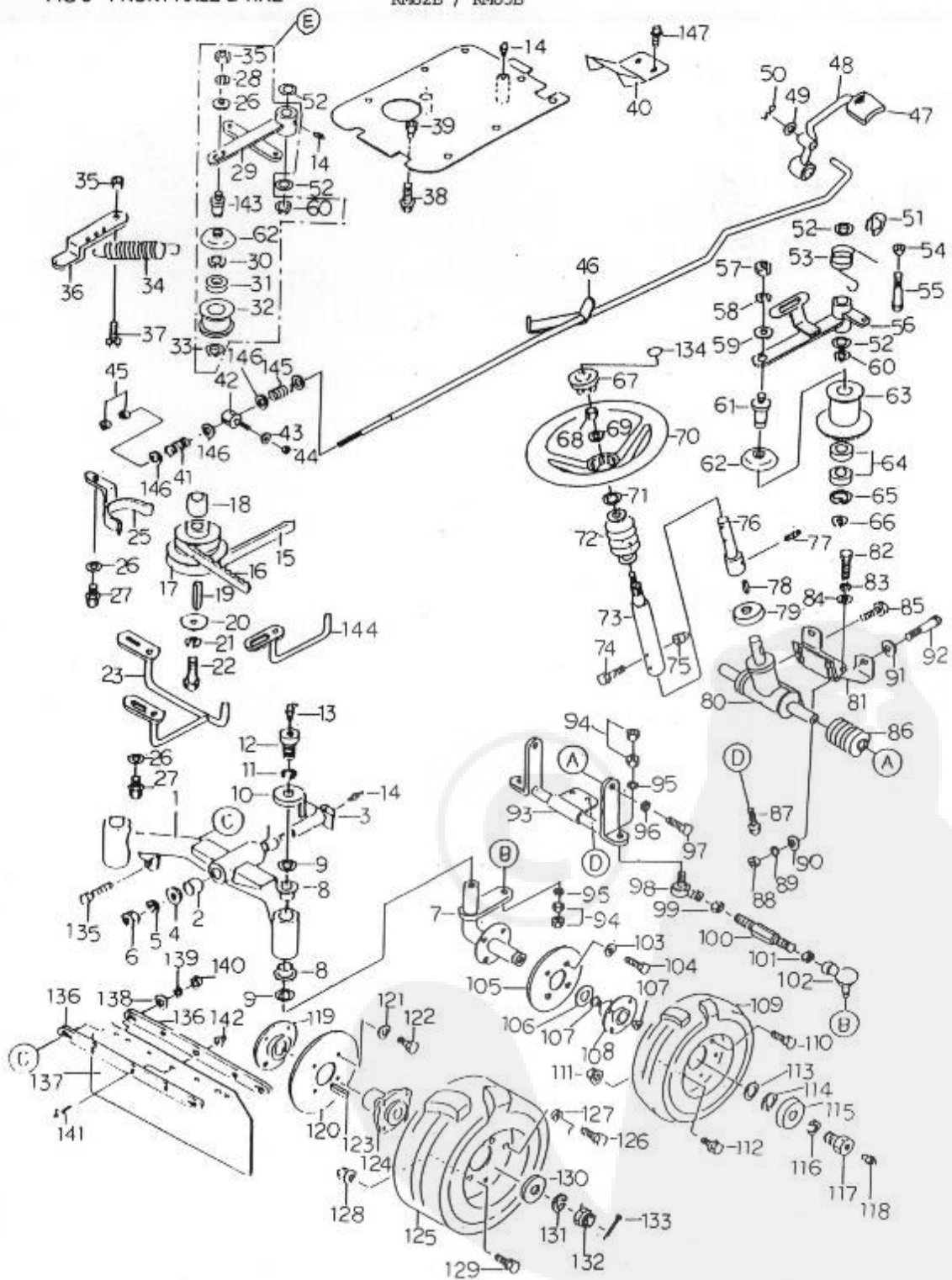
65	89-1251-080502	Flange Bolt M8x50	8	8
66	89-1251-080402	Flange Bolt M8x40	1	1
68	89-1251-080702	Flange Bolt M8x70	1	1
69	89-1251-081402	Flange Bolt M8X140	2	2
70	89-1555-080002	Flange U Nut M8	12	12
71	80-1830-113-00	Differential Lock Fork	1	1
72	89-5221-009000	O Ring P9	2	2
73	80-1481-116-00	Differential Lock Fork Shaft	1	1
74	80-1484-A13-00	Differential Lock Arm	1	1
75	89-1541-080002	Hexagonal Nut(SW) M8	1	1
76	89-2111-050022	Spring Pin 5X22	1	1
77	89-2111-030022	Spring Pin 3X22	1	1
78	80-1482-162-00	Notch Adjusting Screw	1	1
79	89-3410-080000	Steel Ball 8	1	1
80	80-1481-160-00	Pushing Spring 1.0	1	1
81	89-1172-100161	Screw M10x16	1	1
82	89-1514-160042	Hexagonal Nut(3 sorts) M16(slender)	1	1
83	80-1482-108-00	Shift Fork	1	1
84	80-1482-110-00	Shift Fork Shaft	1	1
85	89-2511-000120	Snap Ring 12	1	1
86	89-2111-050020	Spring Pin 5X20	1	1

87	89-2120-300252	Split Pin 3x25	1	1
88	89-5230-100000	Seal Washer 10	1	1
89	89-1111-100122	Hexagonal Bolt M10X12	1	1
90	83-1032-689-00	Oil Gauge M28	1	1
91	83-1712-923-00	Label, Oil Quantity 1.6	1	1
92	80-1484-A14-00	Transmission Pulley Collar	1	1
93	80-1482-521-00	Transmission Pulley	1	1
94	89-1113-060202	Hexagonal Bolt(8T) M6X20	1	1
95	89-1750-060002	Spring Washer 6	1	1
96	83-1482-311-00	Washer 6.5x22x3.2	1	1
97	89-2151-050250	Key 5X25	1	1



FIG 3 FRONT AXLE & TIRE

RM82B / RM85B



Ref.	Part No.	Part Name	Qty.	Remarks
------	----------	-----------	------	---------

			RM 82B	RM 85B
1	80-1484-721-110	Front Axle	1	1
2	89-3510-025250	DU Bush 25.25	2	2
3	80-1484-713-00	Center Pin	1	1
4	89-1711-120002	Washer 13X21	1	1
5	89-1750-120002	Spring Washer 12	1	1
6	89-1551-120002	U Nut M12	1	1
7	80-1488-724-00	King Pin (Left) CMP	1	1
7	80-1488-725-00	King Pin (Right) CMP	1	1
8	89-3511-020200	Collar Du Bush 20.20.31F	4	4
9	83-1310-371-00	Thrust Washer 20X30X1.0	8	8
10	84-1783-729-00	Dust Cover	2	2
11	89-1750-140002	Spring Washer 14	2	2
12	84-1783-791-00	Nipple Bolt M14	2	2
13	83-1515-975-00	Grease Nipple C-Type M6	2	2
14	83-1415-975-00	Grease Nipple M6	5	5
15	89-6123-007502	V-belt (Cutting) SB-75W800	1	1
16	89-6133-002900	Belt(drive) RCLB-29	1	1
17	80-1482-514-00	Engine Pulley	1	1
18	80-1481-512-00	Engine Collar 33	1	1
19	Engine Parts	Key 1/4"x40	1	1
20	83-1482-319-	Washer 11x36x4.5	1	1

	00			
21	89-1750-120002	Spring Washer 12	1	1
22	83-1482-115-00	Hexagonal Bolt(8T) UNF7/16-20x45	1	1
23	80-1485-518-00	Knife Belt Stopper (Engine)	1	1
24	83-1020-363-00	Thrust Washer 16X24X1.0	2	2
25	80-1482-517-00	Drive Belt Stopper	1	1
26	89-1711-100002	Flat Washer 10	3	3
27	89-1135-100202	Hexagonal Bolt(SW) M10X20	4	4
	80-1488-541-E00	Driving Tension Arm Assy	1	1
28	89-1750-100002	Spring Washer 10	1	1
29	80-1484-543-10	Driving Tension Arm CMP	1	1 with bush 16.15
30	89-2512-000400	Snap Ring 40	1	1
31	89-3117-062034	Bearing 6203 2RD	1	1
32	83-1032-765-00	Tension Pulley	1	1
33	89-2511-000170	Snap Ring 17	1	1
34	80-1485-551-00	Driving Tension Spring	1	1
35	89-1511-100042	Hexagonal Nut M10	1	1
36	80-1485-544-00	Driving Tension Spring Arm	1	1
37	89-1111-100252	Hexagonal Bolt M10X25	1	1
38	89-1111-080402	Hexagonal Bolt M8X40	4	4
39	89-1541-080002	Hexagonal Nut(SW) M8	4	4
40	80-1482-316-	Protection Guard	1	1

	00				
41	80-1484-672-00	Spring 20	1	1	
42	80-1481-358-00	Brake Joint	1	1	
43	89-1711-060002	Flat Washer 6	1	1	
44	89-1551-060002	Nut M6	1	1	
45	89-1511-080042	Hexagonal Nut M8	2	2	
46	80-1484-A23-00	Brake Rod	1	1	
47	80-1781-943-00	Pedal Rubber	1	1	
48	80-1484-351-00	Brake Pedal	1	1	
49	89-1711-120002	Flat Washer 1	1	1	
50	89-2131-120002	Snap Pin 12	1	1	
51	89-2521-000150	E-Type Ring 15	1	1	
52	83-1020-363-00	Thrust Washer 16X24X1.0	4	4	
53	80-1481-568-00	Knife Tension Return Spring	1	1	
54	89-1511-080042	Hexagonal Nut M8	1	1	
55	89-1113-080352	Hexagonal Bolt(8T) M8x35	1	1	
56-66	80-1483-545-00	Knife Tension Arm Assy	1	1	ref. 56-66
56	80-1483-547-00	Knife Tension Arm CMP	1	1	
57	89-1511-100042	Hexagonal Nut M10	1	1	
58	89-1750-100002	Spring Washer 10	1	1	
59	89-1711-100002	Flat Washer 10	1	1	
60	89-2511-	Snap Ring 16	1	1	

	000160			
61	83-1482-763-00	Tension Pulley Shaft	2	2
62	80-1482-549-00	Rubber Cover 58	1	1
63	83-1483-782-00	Knife Tension Pulley	2	2
64	89-3114-062024	Bearing 6202 ZZ	1	1
65	89-2512-000350	Snap Ring 35	1	1
66	89-2511-000150	Snap Ring 15	1	1
67	80-1484-222-00	Steering Cap	1	1
68	89-1551-100002	U Nut M10	1	1
69	89-1711-100002	Flat Washer 10	1	1
70	80-1484-221-00	Steering Wheel	1	1
71	83-1020-363-00	Thrust Washer 16X24X1.0	1	1
72	80-1484-325-00	Steering Shaft Cover	1	1
73	80-1481-323-10	Steering Upper Shaft	1	1
74	89-1113-060352	Hexagonal Bolt(8T) M6x35	1	1
75	89-1553-060002	Bag U Nut M6	1	1
76	80-1481-324-10	Steering Lower Shaft	1	1
77	89-1172-080204	Hexagonal Screw M8X20	1	1
78	89-2150-050200	Key 5X20	1	1
79	80-1016-461-00	Bearing Cover	1	1
80	80-1484-962-00	Steering Gear Box Assy	1	1
81	80-1484-327-	Steering BK	1	1

	20			
82	89-1113-080202	Hexagonal Bolt(8T) M8X20	2	2
83	89-1750-080002	Spring Washer 8	2	2
84	89-1711-080002	Flat Washer 8	2	2
85	89-1135-080162	Bolt (SW) M8X16	4	4
86	80-1781-963-00	Steering Boots	2	2
87	83-1020-143-00	Hexagonal Tap Tight M8X18	2	2
88	89-1511-080042	Hexagonal Nut M8	2	2
89	89-1750-080002	Spring Washer 8	2	2
90	89-1711-080002	Flat Washer 8	2	2
91	83-1020-312-00	Washer 8X30X3.2	2	2
92	89-1111-080702	Hexagonal Bolt M8X70	2	2
93	80-1484-321-20	Rack Support	1	1
94	89-1511-100042	Hexagonal Nut M10	8	8
95	89-1750-100002	Spring Washer 10	4	4
96	89-1750-080002	Spring Washer 8	2	2
97	89-1114-100252	Hexagonal Bolt(8T) M10X25	2	2
98	80-1791-962-00	Link Ball BL10BD	2	2
99	89-1511-100042	Hexagonal Nut M10	2	2
100	80-1484-329-00	Tie Rod Adjuster	2	2
101	83-1210-178-00	Nut (Left) M10	2	2
102	80-1791-963-	Link Ball BL10BDL	2	2

	00			
103	89-1711-080002	Flat Washer 8	8	8
104	89-1111-080162	Hexagonal Bolt M8X16	8	8
105	80-1482-425-00	Front Wheel Rubber Cover	2	2
106	83-1310-371-00	Thrust Washer 20X30X1.0	2	2
107	89-3511-020200	Collar DU Bush 20.20.31F	4	4
108	80-1481-413-00	Front Wheel Boss	2	2
109	80-1260-411-00	Front Tire Assy (Left) 3.50-7	1	1
109	80-1260-412-00	Front Tire Assy (Right) 3.50-7	1	1
110	89-1132-100202	Hexagonal Bolt(SW) M10X20	8	8
111	89-1541-080002	Hexagonal Nut(SW) M8	12	12
112	89-1111-080202	Hexagonal Bolt M8X20	12	12
113	83-1310-371-00	Thrust Washer 20X30X1.0	2	2
114	89-2511-000200	Snap Ring (S20)	2	2
115	84-1783-729-00	Dust Cover	2	2
116	89-1750-140002	Spring Washer 14	2	2
117	84-1783-791-00	Nipple Bolt M14	2	2
118	83-1415-975-00	Grease Nipple M6	2	2
119	80-1482-424-00	Axle Dust Cover	2	2
120	80-1482-426-00	Rear Wheel Rubber Cover	2	2
121	89-1711-080002	Flat Washer 8	8	8
122	89-1111-	Bolt M8X16	8	8

	080162			
123	89-2151-070500	Key 7x50	2	2
124	80-1481-414-00	Rear Wheel Boss	2	2
125	80-1751-411-00	Tire Wheel Assy (Left) (16*700*8)	1	1
125	80-1751-412-00	Tire Wheel Assy (Right) (16*700*8)	1	1
126	89-1113-100252	Hexagonal Bolt(8T) M10X25	8	8
127	89-1750-100002	Spring Washer 10	8	8
128	89-1541-080002	Hexagonal Nut(SW) M8	12	12
129	89-1111-080202	Hexagonal Bolt M8X20	12	12
130	83-1630-335-00	Washer 16x40x4.5	2	2
131	89-1750-160002	Spring Washer 16	2	2
132	89-1658-160042	Low Fluted Nut (2 Sorts) M16	2	2
133	89-2120-300252	Split Pin 3X25	2	2
134	80-1484-914-00	Label, Handle	1	1
135	89-1113-100352	Hexagonal Bolt(8T) M10X35	2	2
133-139	80-1484-415-10	Front Guard Assy	1	1
136	80-1484-416-20	Front Guard	2	2
137	80-1484-417-20	Front Flapper	1	1
138	89-1711-100002	Washer 10	2	2
139	89-1750-100002	Spring Washer 10	2	2
140	89-1511-100042	Hexagonal Nut M10	2	2
141	89-1137-	Hexagonal Bolt(PW) M6X20	5	5

	060202			
142	83-1575-189-00	Flange Bag Nut M6	5	5
143	83-1482-765-00	Tension Pulley Shaft	1	1
144	80-1482-527-00	Drive Belt Holder	1	1
145	84-1762-671-00	Spring 45	1	1
146	89-1714-080002	Flat Washer 8	4	4
147	89-1136-080162	Hexagonal Bolt(PWSW) M8X16	2	2



FIG 4 ELECTRIC EQUIPMENT

RM82B / RM85B

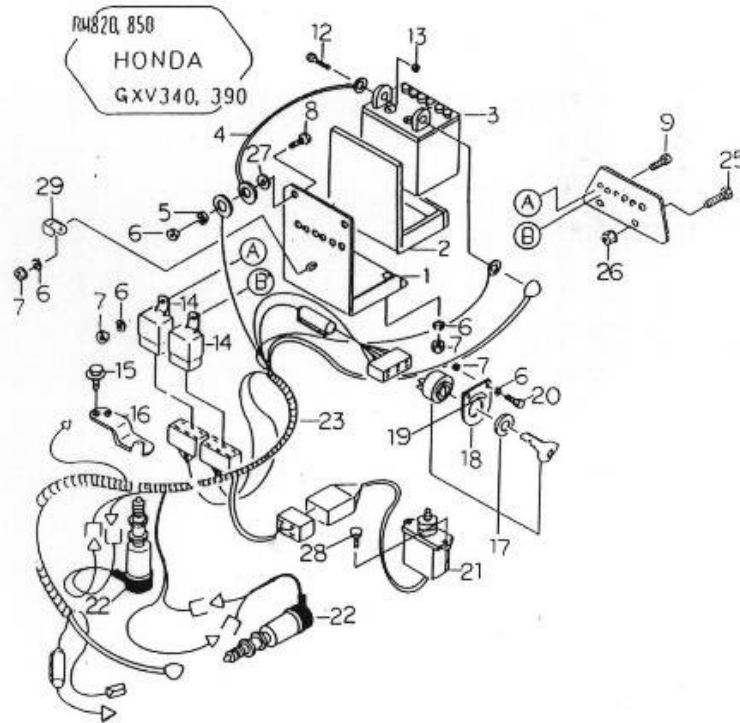
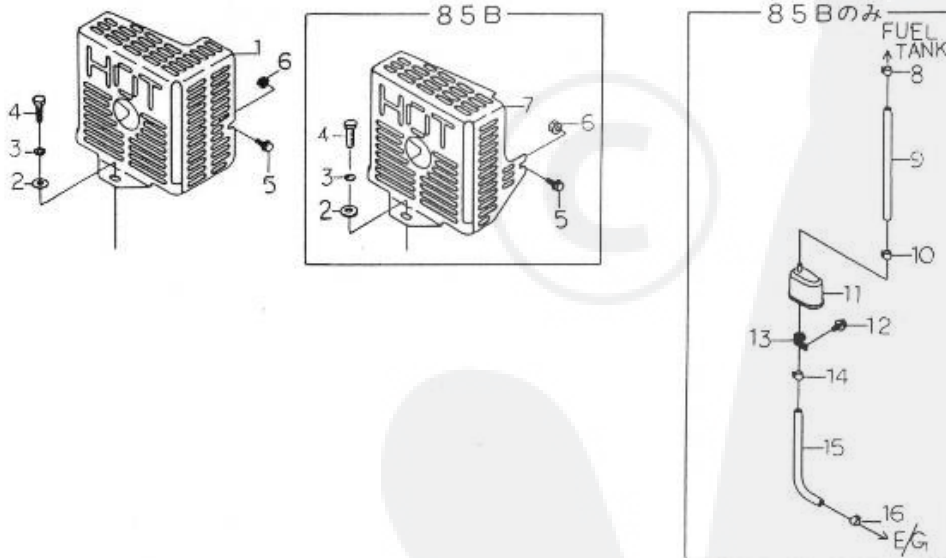


FIG 5 ENGINE OUTSIDE, ETC



Ref.	Part No.	Part Name	Qty.		Remarks
			RM 82B	RM 85B	
1	80-1484-383-30	Battery Carrier	1	1	
2	80-1482-971-00	Cushion Rubber (Battery)	1	1	

3	80-1791-976-00	Battery (28A-19L)	1	1
4	80-1575-972-00	Cord 235, Plus	1	1
5	80-1575-973-00	Cord 235, Minus	1	1
6	89-1750-060002	Spring Washer 6	14	14
7	89-1511-060042	Hexagonal Nut M6	12	12
8	89-1111-060252	Hexagonal Bolt M6X25	1	1
9	89-1111-060142	Hexagonal Bolt M6X14	3	3
10	89-1711-060002	Washer 6	2	2
11	89-1111-060122	Hexagonal Bolt M6X12	2	2
12	Battery Parts	Flange Bolt M6	2	2
13	Battery Parts	Hexagonal Nut M6	2	2
14	80-1484-959-00	CA Relay	2	2
15	89-1136-080202	Hexagonal Bolt(PWSW) M8X20	2	2
16	80-1484-282-30	Plate For Fixing Switch	1	1
17	80-1791-977-00	Key Switch (HONDA) (D16220)	1	1
18	80-1482-332-00	Key Switch BK	1	1
19	80-1488-912-00	Label, Key (13121)	1	1
20	89-1111-060152	Hexagonal Bolt M6X15	2	2
21	80-1484-496-00	Seat Switch (1515C)	1	1
22	80-1483-983-00	Safety Switch (G1781)	2	2
23	80-1484-946-10	Wire Harness	1	1
24	80-1484-384-00	Harness BK	1	1
25	89-1111-080162	Hexagonal Bolt M8X16	2	2
26	89-1541-080002	Hexagonal Nut(SW) M8	2	2
27	89-1812-060002	Toothed Washer 6	1	1
28	89-1137-060162	Hexagonal Bolt(PW) M6X16	2	2
29	80-1792-988-00	Harness Clip	1	1

FIG 4 ELECTRIC EQUIPMENT

RM82B / RM85B

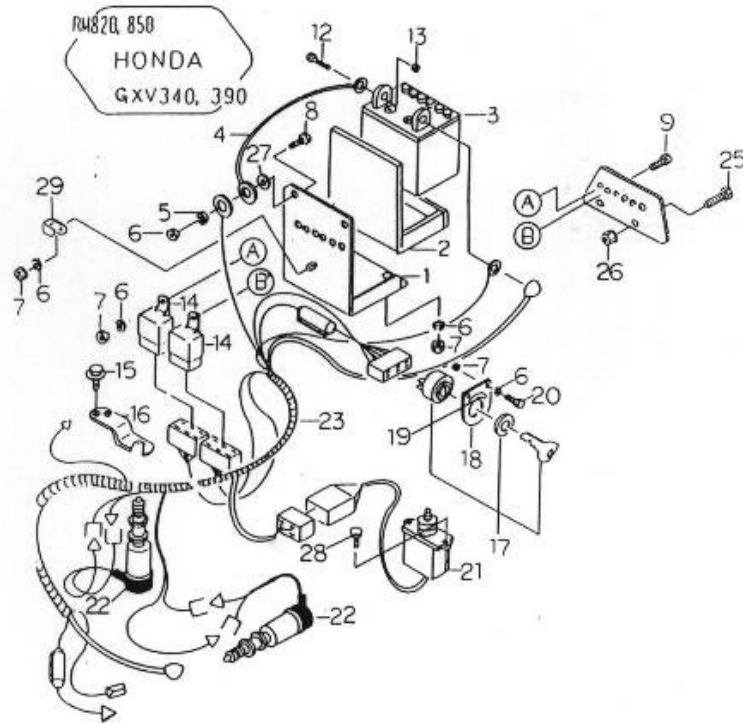
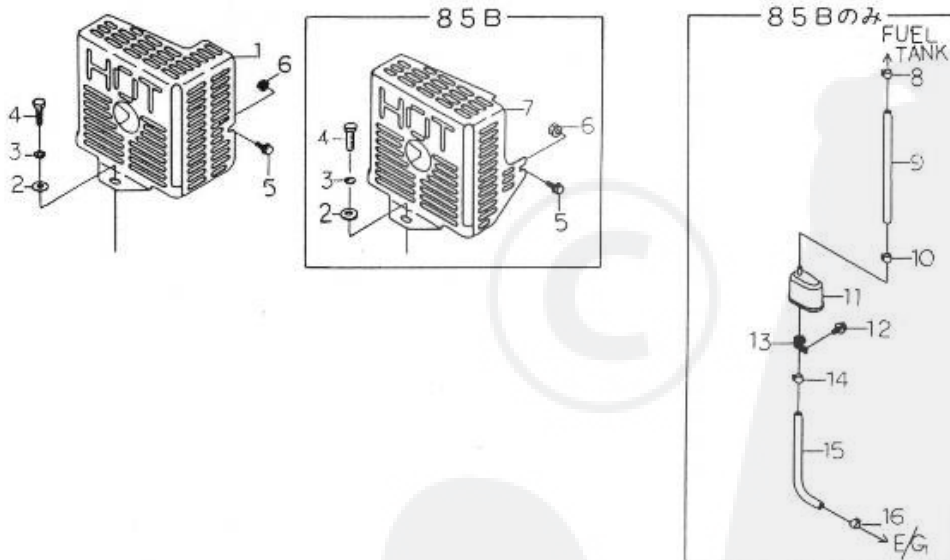


FIG 5 ENGINE OUTSIDE, ETC



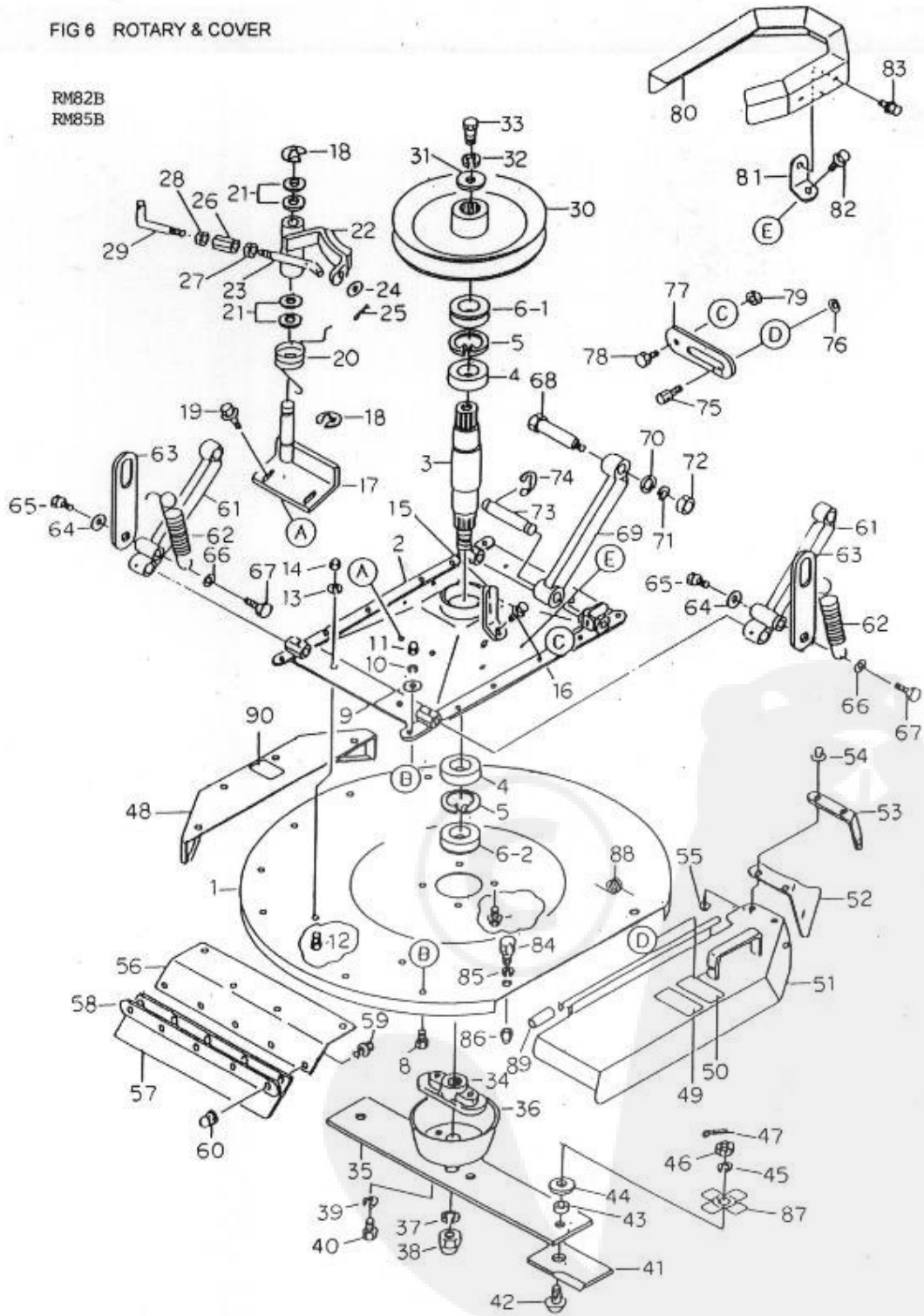
Ref.	Part No.	Part Name	Qty.		Remarks
			RM 82B	RM 85B	
1	80-1484-A32-00	Muffler Cover	1		
2	89-1711-100002	Washer 10	1	1	
3	89-1750-100002	Spring Washer 10	1	1	
4	89-1111-100302	Hexagonal Bolt M10X30	1	1	

5	89-1136-080202	Hexagonal Bolt(PWSW) M8X20	1	1
6	89-1631-080042	Flange Nut M8	1	1
7	80-1486-A32-00	Muffler Cover		1
8	80-1483-988-00	Hose Clip 17		1
9	80-1483-397-00	Fuel Hose A		1
10	80-1483-984-00	Hose Clip 12		1
11	Engine Part	Fuel Strainer		1
12	89-1136-080162	Hexagonal Bolt(PWSW) M8X16		2
13	80-1792-988-00	Harness Grip 8		1
14	80-1483-989-00	Hose Clip 7		1
15	80-1483-398-00	Fuel Hose B		1
16	80-1483-982-00	Hose Clip 6		1



FIG 6 ROTARY & COVER

RM82B
RM85B



Ref.	Part No.	Part Name	Qty.		Remarks
			RM	RM	

			82B	85B
1	80-1483-731-00	Safety Cover CMP	1	1
2	80-1484-601-00	Vertical Shaft Holder CMP	1	
2	80-1485-601-00	Vertical Shaft Holder CMP		1
3	80-1482-641-10	Vertical Shaft	1	
3	80-1483-641-00	Vertical Shaft		1
4	89-3115-060064	Bearing 6006 2RS	2	
4	89-3115-060074	Bearing 6007 2RS		2
5	89-2512-000550	Snap Ring (R55)	2	
5	89-2512-000620	Snap Ring 62		2
6-1	83-1415-662-00	Oil Seal AP 35.55.8	1	
6-1	89-5121-356210	Oil Seal UE 35.62.10		1
6-2	83-1415-662-00	Oil Seal AP 35.55.8	1	
6-2	83-1560-651-00	Oil Seal AP40.62.12		1
7	89-1135-100202	Hexagonal Bolt(SW) M10X20	4	4
8	89-1111-080202	Hexagonal Bolt M8X20	12	12
9	89-1714-080002	Flat Washer 8	12	12
10	89-1750-080002	Spring Washer 8	12	12
11	89-1571-080042	Cap Nut M8	12	12
12	89-1111-080162	Hexagonal Bolt M8X16	12	12
13	89-1750-080002	Spring Washer 8	12	12
14	89-1571-080042	Bag Nut M8	12	12
15	80-1482-617-00	Knife Pulley Belt Holder	2	2
16	89-1136-080202	Hexagonal Bolt(PWSW) M8X20	2	2
17	80-1483-372-00	Brake BK	1	1
18	89-2521-000100	E-Type Ring	2	2

19	89-1136-080202	Hexagonal Bolt(PWSW) M8X20	2	2	
20	80-1482-373-00	Brake Return Spring	1	1	
21	83-1565-329-00	Washer 13x21x2.3	4	4	
22	80-1482-371-00	Knife Brake	1	1	with bush 12.20
23	80-1483-375-00	Brake Rod	1	1	
24	89-1711-080002	Washer 8	2	2	
25	89-2131-080002	Snap Pin 8	2	2	
26	80-1791-597-00	Turn Buckle M8x50	1	1	
27	89-1511-080042	Hexagonal Nut M8	1	1	
28	83-1481-178-00	Hexagonal Nut (Left) M8	1	1	
29	80-1482-374-00	Brake Rod (Left Screw)	1	1	
30	80-1482-571-10	Knife Pulley	1		
30	80-1483-571-00	Knife Pulley		1	
31	83-1483-328-00	Washer 12X36X4.5	1	1	
32	89-1750-120002	Spring Washer 12	1	1	
33	89-1113-120302	Hexagonal Bolt(8T) M12X30	1	1	
34	84-1763-833-00	Knife Bracket	1		
34	80-1483-733-00	Knife Bracket		1	
35	80-1481-817-00	Knife Stay	1		
35	80-1483-817-00	Knife Stay		1	
36	80-1483-836-00	Knife Neck Guard	1	1	
37	89-1750-160002	Spring Washer 16	1		
37	89-1750-200002	Spring Washer 20		1	
38	89-1572-160042	Bag Nut M16	1		
38	80-1483-845-00	Bag Nut M20		1	
39	89-1750-100002	Spring Washer 10	2		
39	89-1750-120002	Spring Washer 12		2	
40	89-1113-100252	Hexagonal Bolt(8T) M10X25	2		

40	89-1113-120302	Hexagonal Bolt(8T) M12X30		2	
41	80-1481-821-00	Blade	2		
41	80-1483-821-00	Blade		2	
41	80-1481-835-00	Blade Bolt Set	2		Note 1
41	80-1483-835-00	Blade Bolt Set		2	Note 1
42	80-1481-839-00	Round Head Bolt M12X32	2		
42	80-1483-839-00	Round Head Bolt M14X34		2	
43	80-1481-818-00	Knife Collar	2		
43	80-1483-818-00	Knife Collar		2	
44	83-1481-328-00	Washer 12X30X3.2	2		
44	83-1483-329-00	Washer 14X30X3.2		2	
45	89-1750-120002	Spring Washer 12	2		
45	89-1750-140002	Spring Washer 14		2	
46	89-1658-120042	Low Fluted Nut(2 sorts) M12	2		
46	89-1658-140042	Low Fluted Nut(2 Sorts) M14		2	
47	89-2120-300252	Split Pin 3X25	2	2	
48	80-1488-751-00	Cover (Left)	1	1	
49	80-1488-928-00	Label, Caution for Pinching	1	1	
50	80-1488-926-00	Label, Caution for Hands & Legs	1	1	
51-55	80-1488-750-00	Cover (Right) Assy	1	1	ref. 51-55
51	80-1488-753-10	Cover CMP (Right)	1	1	
52	80-1484-757-00	Cover Flapper(Right)	1	1	
53	80-1484-758-00	Flapper Holder(Right)	1	1	
54	83-1575-189-00	Flange Bag Nut M6	3	3	
55	89-1137-060152	Hexagonal Bolt (PW) M6x15	3	3	
56-60	80-1482-752-00	Rear Guard Assy	1	1	ref. 56-60
56	80-1482-755-00	Rear Guard	1	1	
57	80-1482-781-00	Rear Guard Flapper	1	1	
58	80-1482-782-00	Rear Guard Flapper Holder	1	1	
59	89-1137-060152	Hexagonal Bolt (PW) M6x15	5	5	

60	83-1575-189-00	Flange Bag Nut M6	5	5
61	80-1484-708-00	Link (Rear)	2	2
62	80-1484-276-00	Spring	2	2
63	80-1484-275-20	Connecting Plate	2	2
64	83-1020-312-00	Washer 8X30X3.2	1	1
65	89-1135-080252	Hexagonal Bolt(SW) M8X25	2	2
66	89-1711-080002	Washer 8	2	2
67	89-1135-080162	Hexagonal Bolt(SW) M8X16	2	2
68	80-1481-709-00	Link Bolt	6	6
69	80-1484-707-00	Link (Front)	2	2
70	89-1711-120002	Washer 12	6	6
71	89-1750-120002	Spring Washer 12	6	6
72	89-1551-120002	U Nut M12	6	6
73	80-1484-706-10	Link Pin	2	2
74	89-2521-000150	E-Type Ring 15	4	4
75	80-1488-747-00	Right Cover Vertical Arm Bolt	1	1
76	89-1711-080002	Washer 8	1	1
77	80-1488-746-00	Cover Arm (Right)	1	1
78	89-1113-080202	Hexagonal Bolt(8T) M8X20	1	1
79	89-1551-080002	U Nut M8	1	1
80	80-1484-501-10	Knife Belt Cover	1	1
81	80-1484-506-00	Knife Belt Cover Stay	3	3
82	89-1136-080202	Hexagonal Bolt(PWSW) M8X20	3	3
83	89-1136-080162	Hexagonal Bolt(PWSW) M8X16	3	3
84	80-1488-748-00	Bolt For Right Cover Receiver	2	2
85	89-1750-100002	Spring Washer 10	2	2
86	89-1571-100042	Bag Nut M10	2	2

87	80-1484-837-00	Nut Guard 12	2	
87	80-1487-837-00	Nut Guard 14		2
88	80-1488-749-00	Spring for Right Cover	1	1
89	80-1484-A33-00	Collar for Right Cover	1	1
90	80-1488-926-00	Label, Caution for Hands & Legs	1	1

Note 1 :
Blade Bolt Set contains parts ref. 42, 45-47, 87.

