



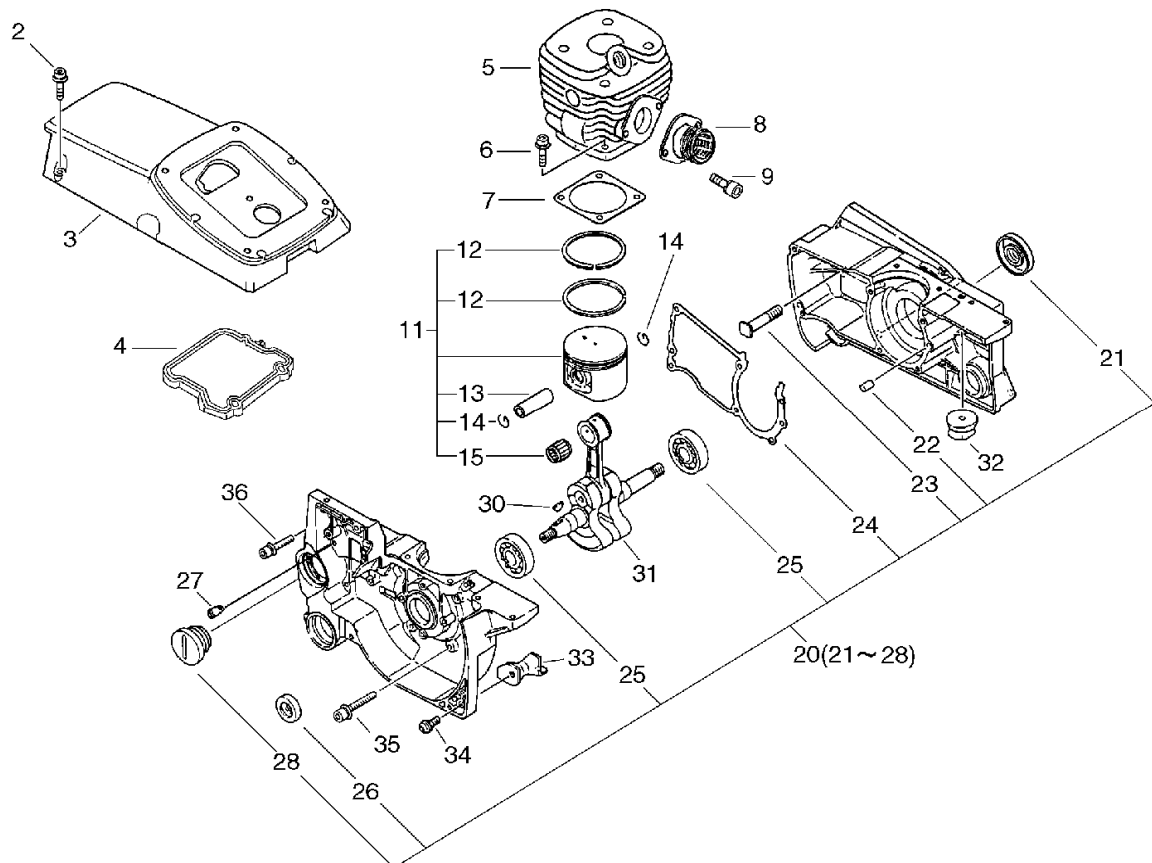
PARTS CATALOG

ENGINE CUTTER CSG-680(35)(36)

- 36001680

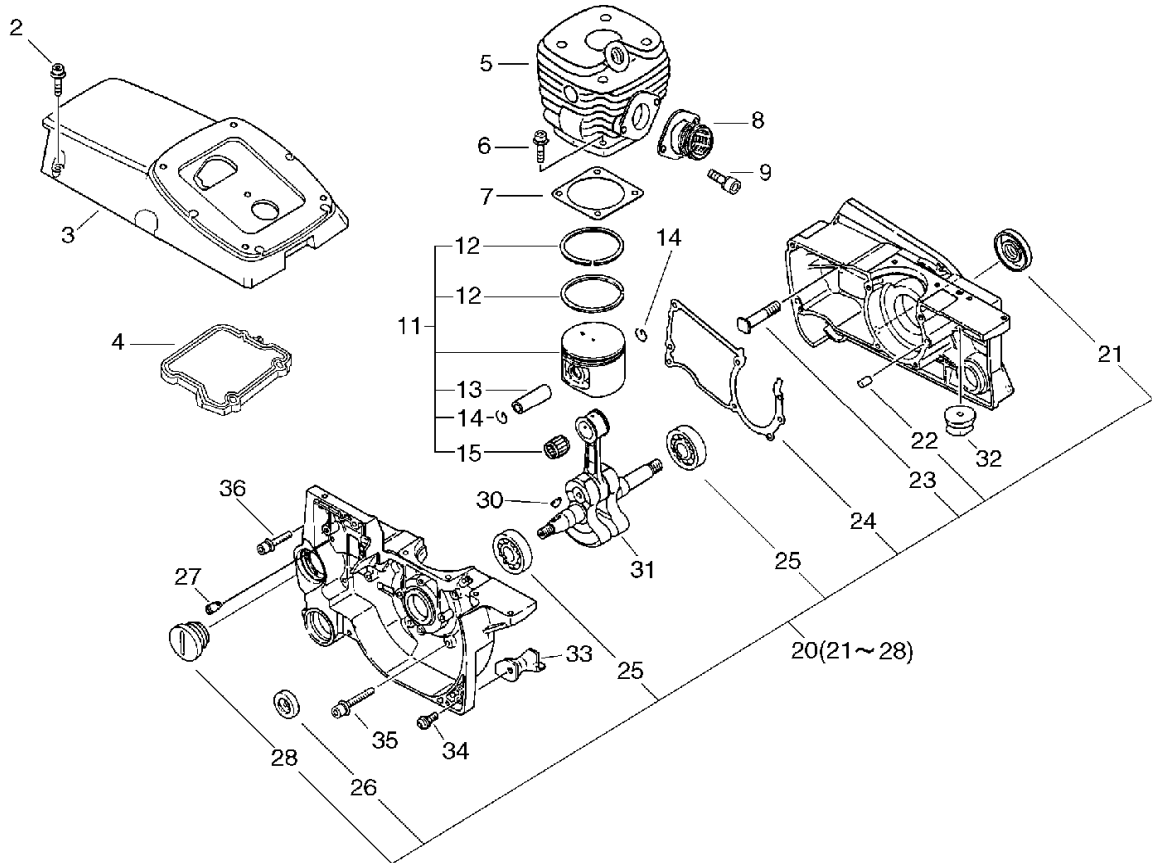
CSG-680(35)(36)

1. Cylinder, Crankcase, Piston(SrNr 36001180 and before)



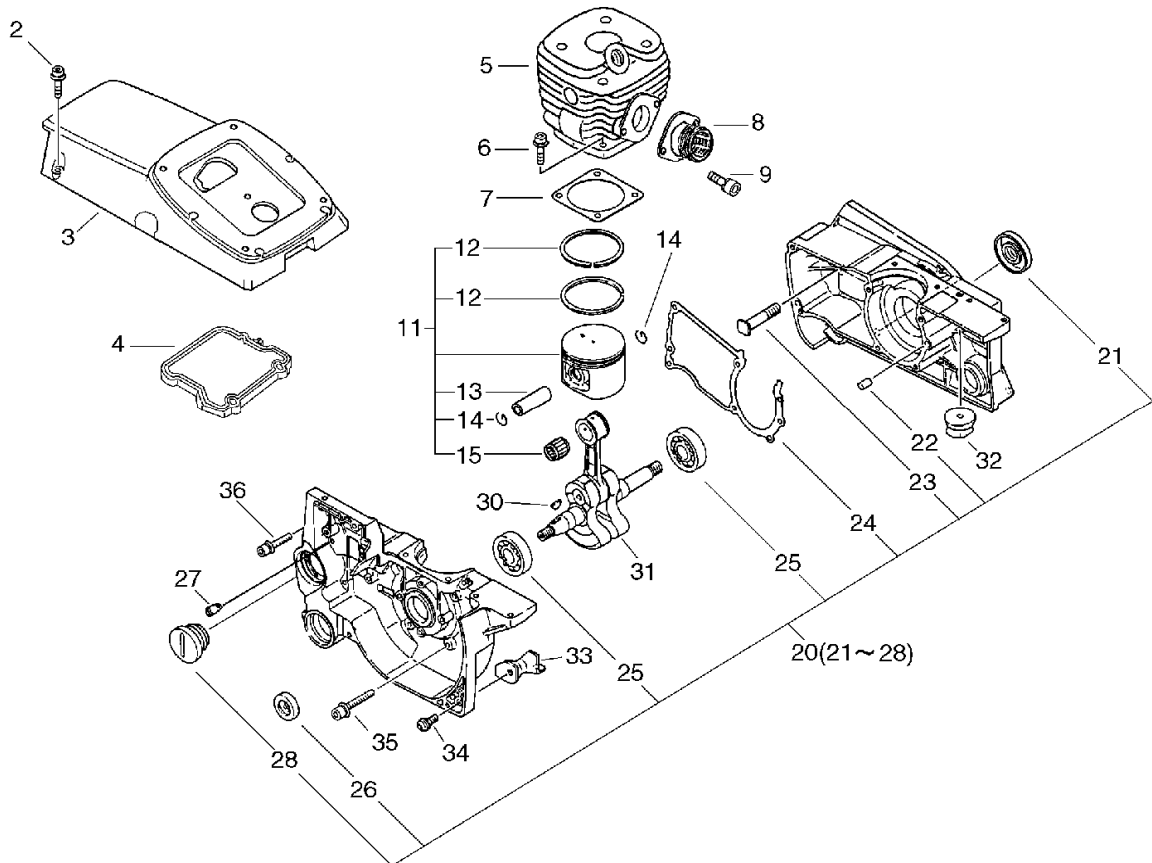
KEY	LV	PART NUMBER	Q'TY	DESCRIPTION	REMARKS	NOTE1	NOTE2
2		900162-05020	5	BOLT, H.S. 5*20	5*20 W,SW		
3		A160-000600	1	COVER,CYLINDER		Sus. by A160-000601	
4		V420-000700	1	CUSHION		Sus. by V420-000701	
4		V420-000701	1	CUSHION			
5		A130-000172	1	CYLINDER			
6		900162-05025	4	BOLT, H.S. 5*25	5*25 W,SW		
7		101010-32431	1	GASKET, CYL. BASE			
8		A202-000040	1	BELLOWS,INTAKE			
9		900162-05014	2	BOLT, H.S. 5*14	5*14 W,SW		
11		P021-002790	1	PISTON KIT			
12	+	100011-32430	2	RING, PISTON			
13	+	V610-000000	1	PIN,ENG 12			
14	+	V580-000000	2	RING,END			
15	+	100012-32430	1	BEARING, NEEDLE			
20		P021-007490	1	CRANKCASE KIT			
21	+	100212-32430	1	OILSEAL (L)	25Z-15*39.9*7		
22	+	100215-02830	2	PIN, DOWEL			
23	+	433011-21860	2	STUD, GUIDE BAR			
24	+	100242-32430	1	GASKET, CRANKCASE			
25	+	900810-36202	2	BEARING, BALL 6202	6202/C3		
26	+	100212-19830	1	OILSEAL	ISM 15*25*6		
27	+	436114-13930	1	VALVE, CHECK			
28	+	436013-06061	1	PLUG			

1. Cylinder, Crankcase, Piston(SrNr 36001180 and before)



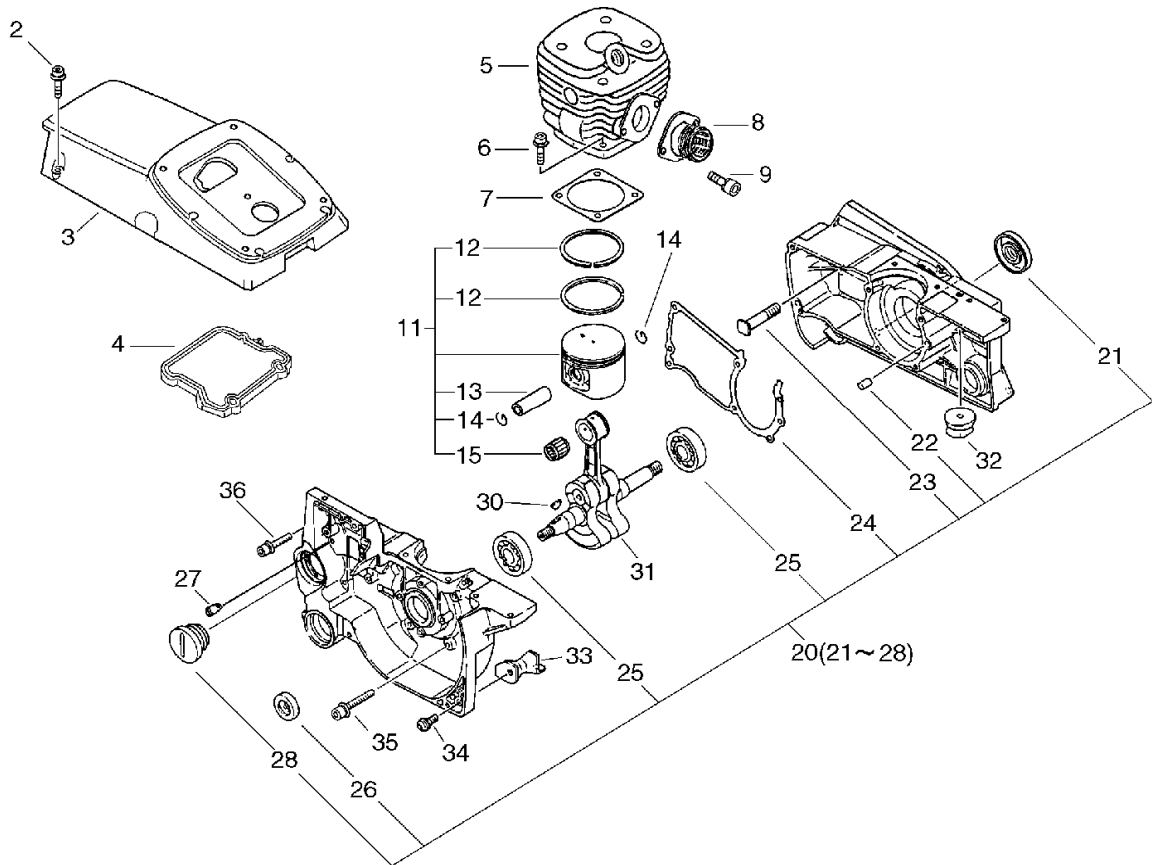
KEY	LV	PART NUMBER	Q'TY	DESCRIPTION	REMARKS	NOTE1	NOTE2
30		100142-30830	1	KEY, WOODRUFF			
31		A011-000292	1	CRANKSHAFT,ASM		Sus. by A011-000292	
32		100251-32430	1	CUSHION (A)			
33		100917-32430	1	CUSHION (B)			
34		900238-05014	1	SCREW 5*14	5*14		
35		900162-05035	4	BOLT, H.S. 5*35	5*35 W,SW		
36		900162-05020	2	BOLT, H.S. 5*20	5*20 W,SW		

2. Cylinder, Crankcase, Piston(SrNr 36001181 and after)



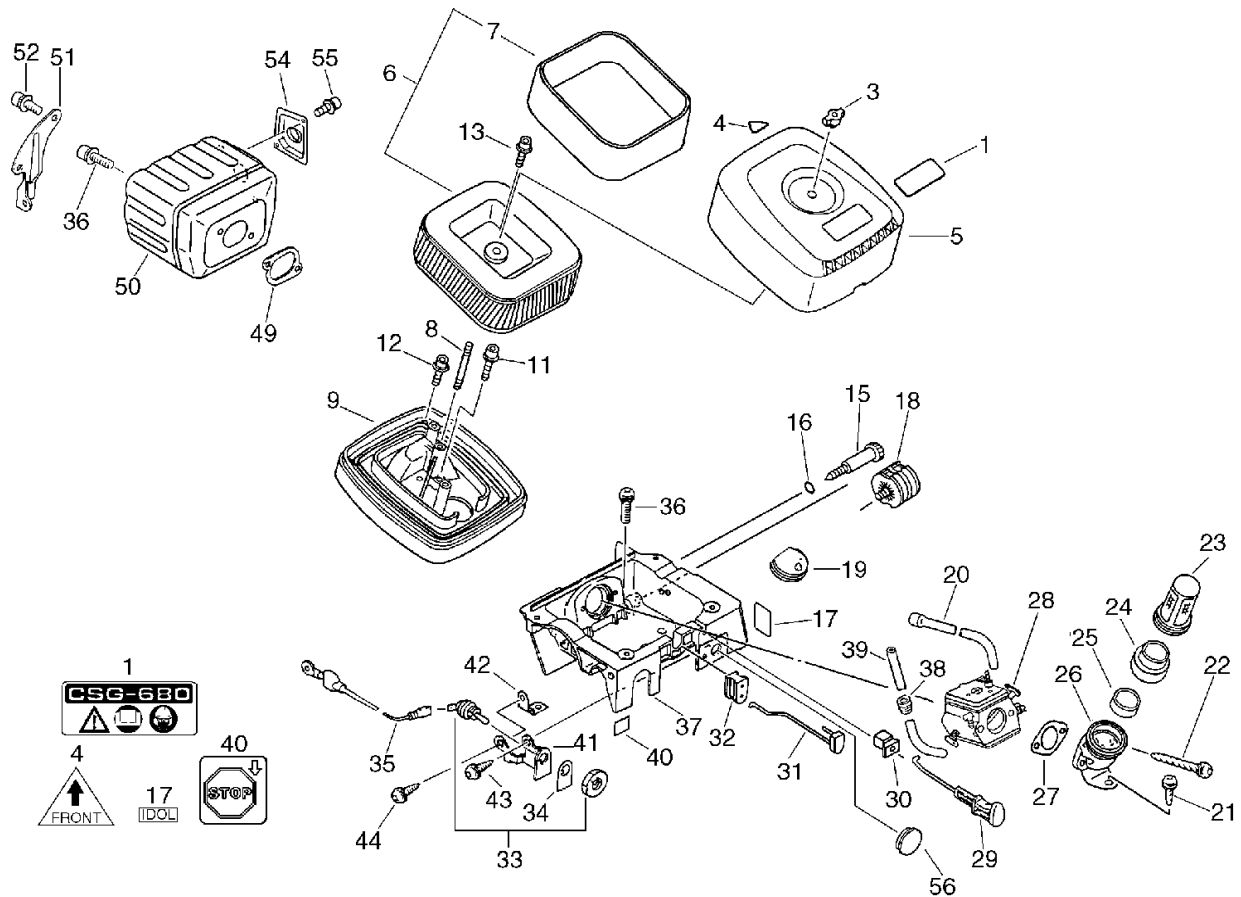
KEY	LV	PART NUMBER	Q'TY	DESCRIPTION	REMARKS	NOTE1	NOTE2
2		900162-05020	5	BOLT, H.S. 5*20	5*20 W,SW		
3		A160-000601	1	COVER,CYLINDER			
4		V420-000701	1	CUSHION			
5		A130-000172	1	CYLINDER			
6		900162-05025	4	BOLT, H.S. 5*25	5*25 W,SW		
7		101010-32431	1	GASKET, CYL. BASE			
8		A202-000040	1	BELLOWS,INTAKE			
9		900162-05014	2	BOLT, H.S. 5*14	5*14 W,SW		
11		P021-002790	1	PISTON KIT			
12	+	100011-32430	2	RING, PISTON			
13	+	V610-000000	1	PIN,ENG 12			
14	+	V580-000000	2	RING,END			
15	+	100012-32430	1	BEARING, NEEDLE			
20		P021-007490	1	CRANKCASE KIT			
21	+	100212-32430	1	OILSEAL (L)	25Z-15*39.9*7		
22	+	100215-02830	2	PIN, DOWEL			
23	+	433011-21860	2	STUD, GUIDE BAR			
24	+	100242-32430	1	GASKET, CRANKCASE			
25	+	900810-36202	2	BEARING, BALL 6202	6202/C3		
26	+	100212-19830	1	OILSEAL	ISM 15*25*6		
27	+	436114-13930	1	VALVE, CHECK			
28	+	436013-06061	1	PLUG			
30		100142-30830	1	KEY, WOODRUFF			
31		A011-000292	1	CRANKSHAFT,ASM			
32		100251-32430	1	CUSHION (A)			

2. Cylinder, Crankcase, Piston(SrNr 36001181 and after)



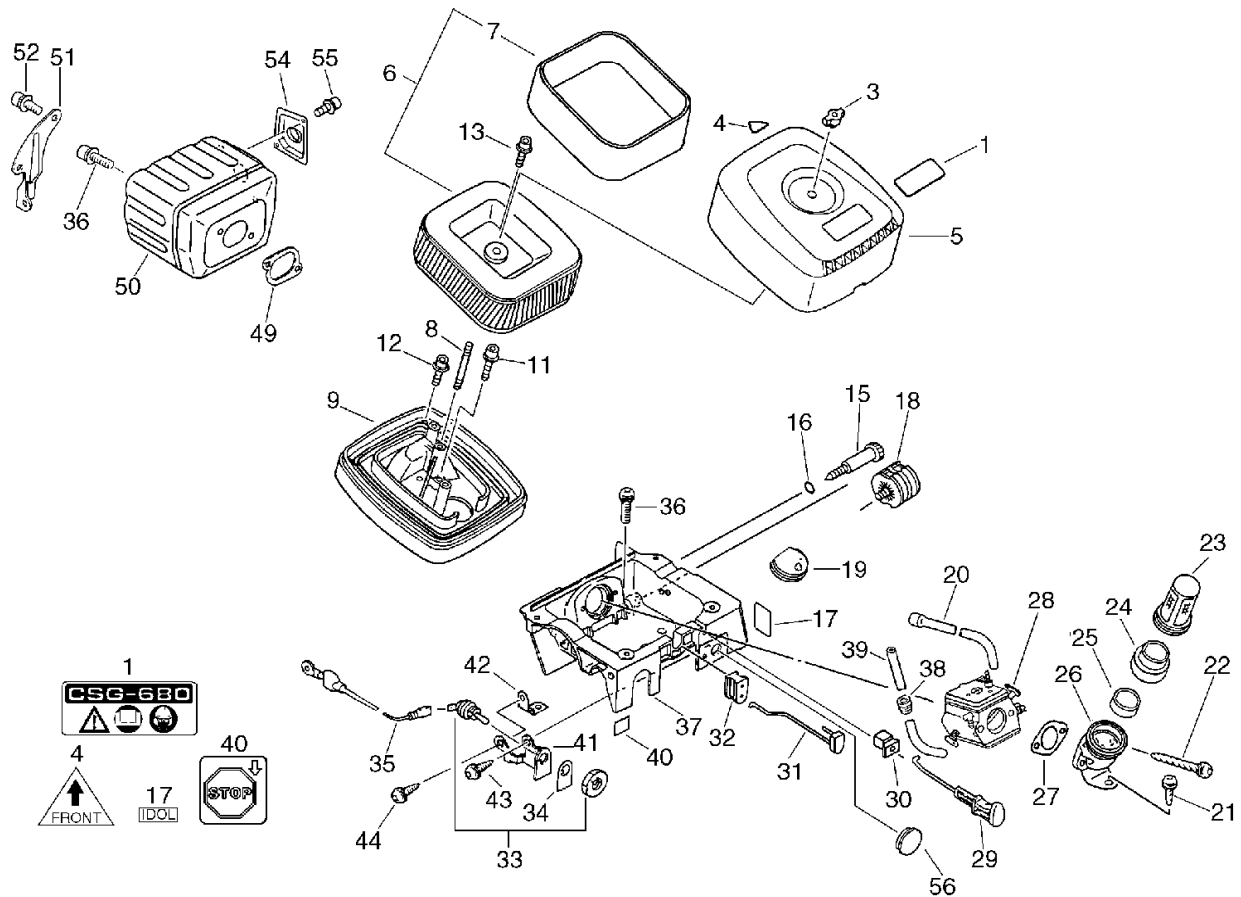
KEY	LV	PART NUMBER	Q'TY	DESCRIPTION	REMARKS	NOTE1	NOTE2
33		100917-32430	1	CUSHION (B)			
34		900238-05014	1	SCREW 5*14	5*14		
35		900162-05035	4	BOLT, H.S. 5*35	5*35 W,SW		
36		900162-05020	2	BOLT, H.S. 5*20	5*20 W,SW		

3. Air Cleaner, Muffler(SrNr 36001130 and before)



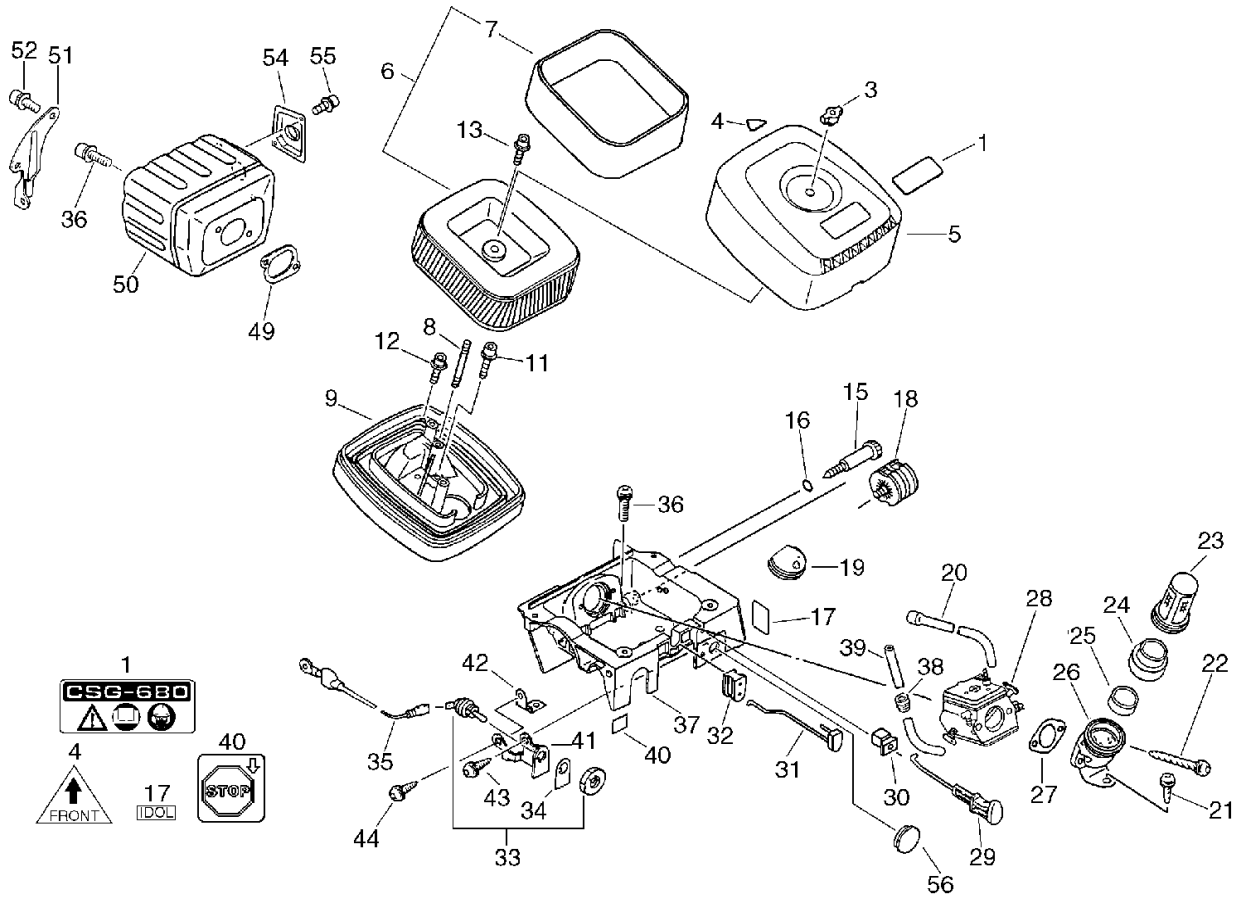
KEY	LV	PART NUMBER	Q'TY	DESCRIPTION	REMARKS	NOTE1	NOTE2
1		X503-005550	1	LABEL,MODEL	CSG-680 EU/PPK	Sus. by X503-005551	
3		130322-05260	1	NUT (BL)		Sus. by 130322-05261	
3		130322-05261	1	NUT			
4		890057-07060	1	LABEL			
5		130313-06061	1	COVER, AIR CLEANER			
6		130305-07061	1	FILTER, AIR			
7	+	130305-25061	1	FILTER, AIR			
8		130712-06061	1	STUD	5*42		
9		A225-000130	1	CASE,CLEANER			
11		900238-05025	1	SCREW 5*25	5*25		
12		900238-05016	4	SCREW 5*16	5*16		
13		130435-07060	2	BOLT			
15		129013-30831	1	SCREW, IDLE SPEED			
16		900720-20007	1	O-RING 7	P-7		
17		890185-03460	1	LABEL, IDLE			
18		100905-32331	1	CUSHION (R)			
19		V140-000010	1	GROMMET,HOSE			
20		130110-19830	1	PIPE, IMPULSE			
21		900252-05014	1	SCREW 5*14	5*14		
22		900252-05053	2	SCREW 5*53	5*53		
23		130821-06060	1	SCREEN			
24		V420-000690	1	CUSHION		Sus. by V420-000691	
24		V420-000691	1	CUSHION			

3. Air Cleaner, Muffler(SrNr 36001130 and before)



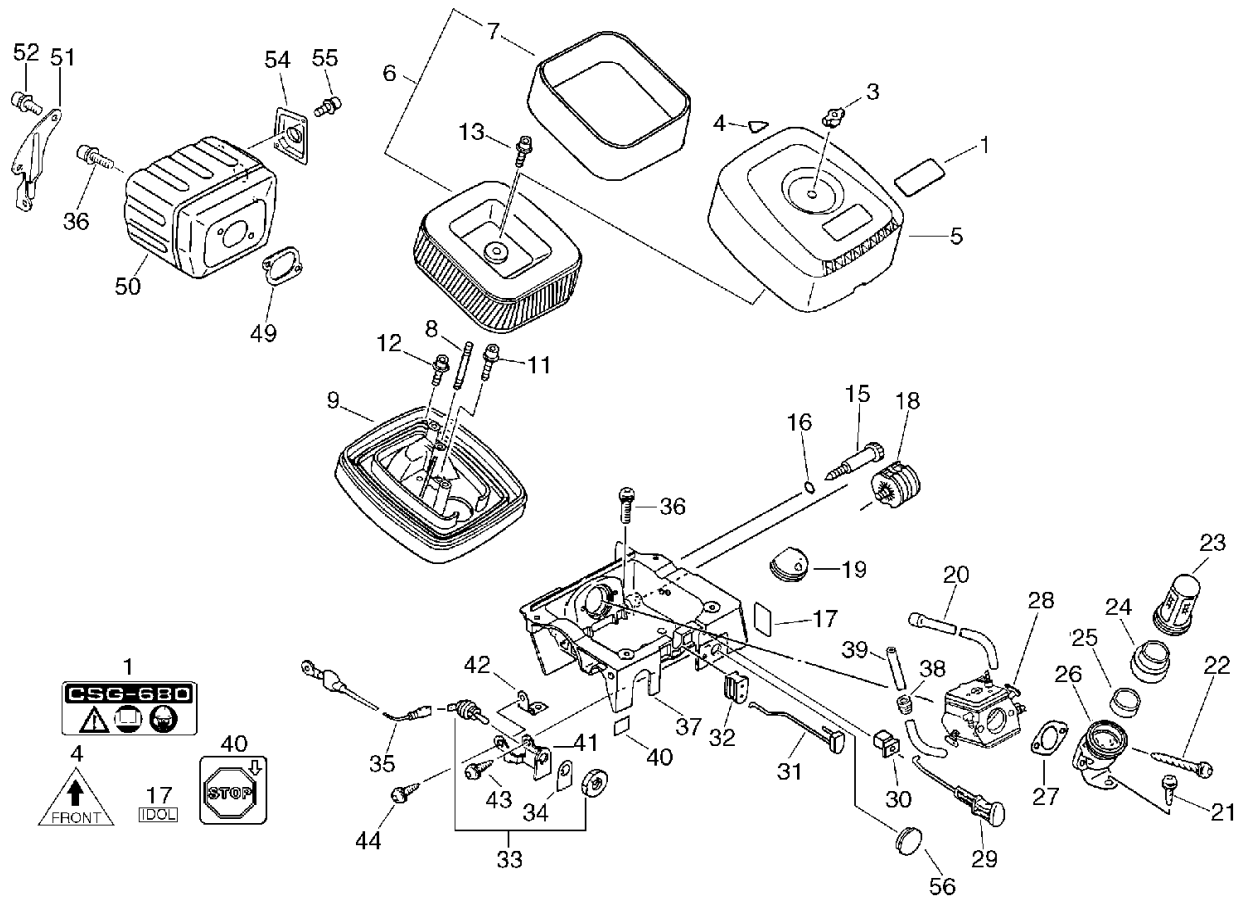
KEY	LV	PART NUMBER	Q'TY	DESCRIPTION	REMARKS	NOTE1	NOTE2
25		V362-000020	1	COLLAR,22			
26		A204-000030	1	ELBOW,CARBURETOR			
27		130010-20760	1	GASKET, INTAKE			
28		A021-000730	1	CARBURETOR,DIAPHRAGM	HDA-216		
29		178510-32330	1	ROD, CHOKE			
30		178810-33331	1	GROMMET, CHOKE			
31		C454-000000	1	ROD,THROTTLE		Sus. by 178011-32630	
32		178114-32630	1	HOLDER, THR. LEVER			
33		163400-30830	1	SWITCH, IGNITION			
34		890157-30130	1	LABEL, SWITCH			
35		162021-32530	1	LEAD			
36		900162-05020	6	BOLT, H.S. 5*20	5*20 W,SW		
37		A220-000030	1	CASE,CARBURETOR			
38		132115-01461	1	GROMMET			
39		437211-14730	1	PIPE, OIL	6*3*130L		
40		890157-39130	1	LABEL, SWITCH			
41		163810-30130	1	BRACKET, SWITCH			
42		156635-32530	1	PLATE, GROUND			
43		900252-05010	1	SCREW 5*10	5*10		
44		900252-04010	1	SCREW 4*10	4*10		
49		145510-32431	1	GASKET, MUFFLER			
50		145610-32430	1	MUFFLER			
51		145711-32430	1	BRACKET, MUFFLER			
52		900162-05014	2	BOLT, H.S. 5*14	5*14 W,SW		
54		A313-000460	1	GUIDE,EXH			

3. Air Cleaner, Muffler(SrNr 36001130 and before)



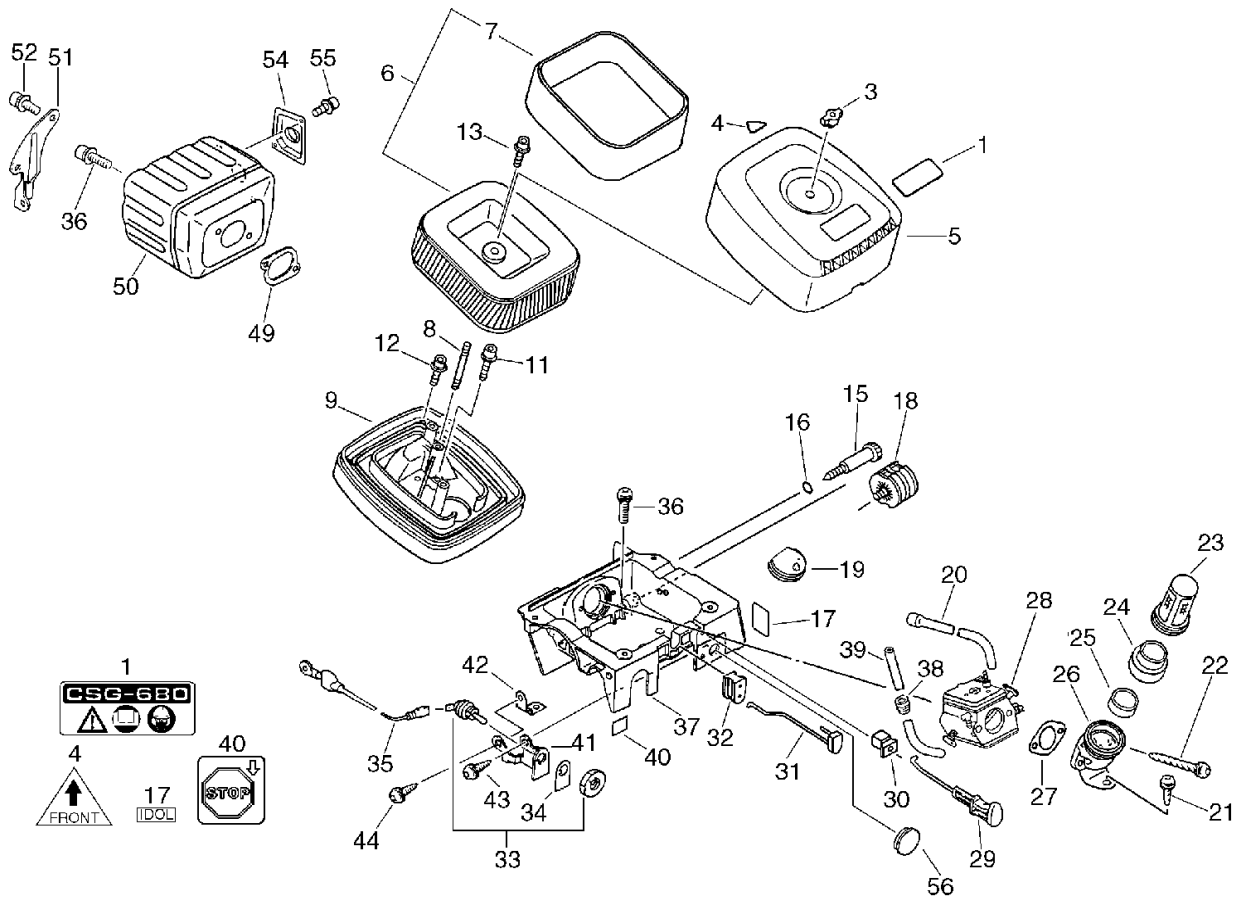
KEY	LV	PART NUMBER	Q'TY	DESCRIPTION	REMARKS	NOTE1	NOTE2
55		900162-04010	2	BOLT, H.S. 4*10	4*10 W,SW		
56		101578-38431	1	PLUG			

4. Air Cleaner, Muffler(SrNr 36001130 to 36001180)



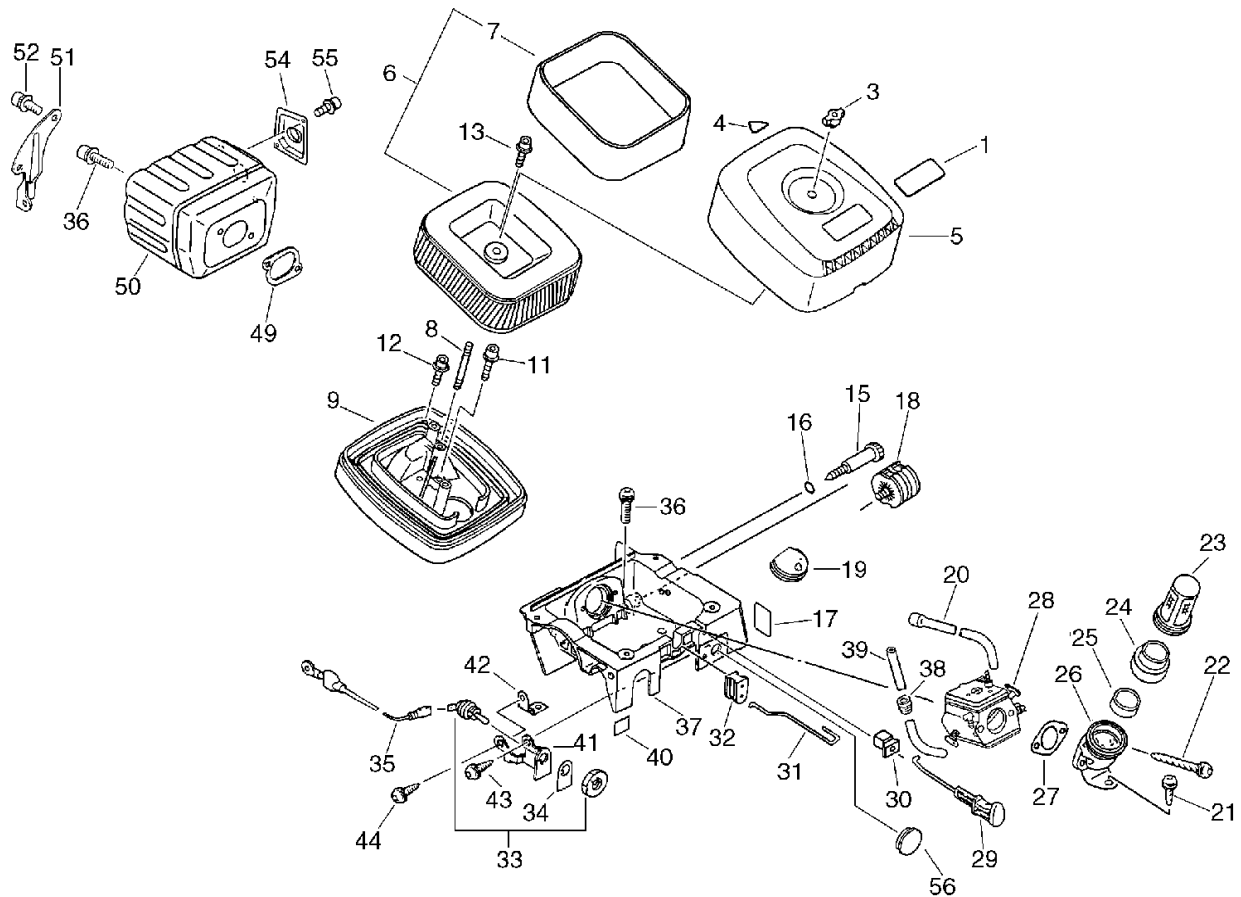
KEY	LV	PART NUMBER	Q'TY	DESCRIPTION	REMARKS	NOTE1	NOTE2
1		X503-005550	1	LABEL,MODEL	CSG-680 EU/PPK	Sus. by X503-005551	
3		130322-05261	1	NUT			
4		890057-07060	1	LABEL			
5		130313-06061	1	COVER, AIR CLEANER			
6		130305-07061	1	FILTER, AIR			
7	+	130305-25061	1	FILTER, AIR			
8		130712-06061	1	STUD	5*42		
9		A225-000130	1	CASE,CLEANER			
11		900238-05025	1	SCREW 5*25	5*25		
12		900238-05016	4	SCREW 5*16	5*16		
13		130435-07060	2	BOLT			
15		129013-30831	1	SCREW, IDLE SPEED			
16		900720-20007	1	O-RING 7	P-7		
17		890185-03460	1	LABEL, IDLE			
18		100905-32331	1	CUSHION (R)			
19		V140-000010	1	GROMMET,HOSE			
20		130110-19830	1	PIPE, IMPULSE			
21		900252-05014	1	SCREW 5*14	5*14		
22		900252-05053	2	SCREW 5*53	5*53		
23		130821-06060	1	SCREEN			
24		V420-000691	1	CUSHION			
25		V362-000020	1	COLLAR,22			
26		A204-000030	1	ELBOW,CARBURETOR			
27		130010-20760	1	GASKET, INTAKE			
28		A021-000730	1	CARBURETOR,DIAPHRAGM	HDA-216		

4. Air Cleaner, Muffler(SrNr 36001130 to 36001180)



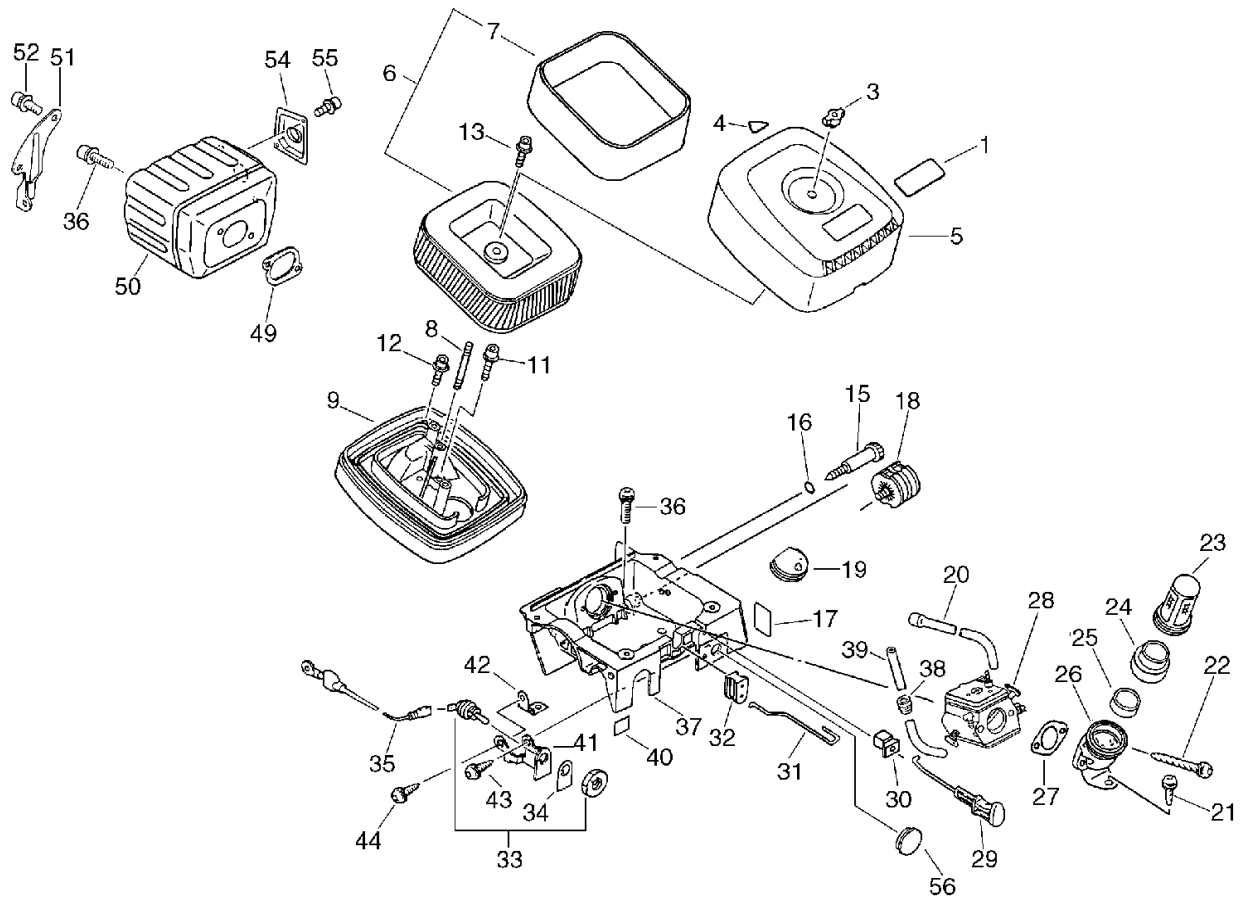
KEY	LV	PART NUMBER	Q'TY	DESCRIPTION	REMARKS	NOTE1	NOTE2
29		178510-32330	1	ROD, CHOKE			
30		178810-33331	1	GROMMET, CHOKE			
31		C454-000000	1	ROD,THROTTLE		SrNr 36001180 and before	
32		178114-32630	1	HOLDER, THR. LEVER			
33		163400-30830	1	SWITCH, IGNITION			
34		890157-30130	1	LABEL, SWITCH			
35		162021-32530	1	LEAD			
36		900162-05020	6	BOLT, H.S. 5*20	5*20 W,SW		
37		A220-000030	1	CASE,CARBURETOR			
38		132115-01461	1	GROMMET			
39		437211-14730	1	PIPE, OIL	6*3*130L		
40		890157-39130	1	LABEL, SWITCH			
41		163810-30130	1	BRACKET, SWITCH			
42		156635-32530	1	PLATE, GROUND			
43		900252-05010	1	SCREW 5*10	5*10		
44		900252-04010	1	SCREW 4*10	4*10		
49		145510-32431	1	GASKET, MUFFLER			
50		145610-32430	1	MUFFLER			
51		145711-32430	1	BRACKET, MUFFLER			
52		900162-05014	2	BOLT, H.S. 5*14	5*14 W,SW		
54		A313-000460	1	GUIDE,EXH			
55		900162-04010	2	BOLT, H.S. 4*10	4*10 W,SW		
56		101578-38431	1	PLUG			

5. Air Cleaner, Muffler(SrNr 36001181 and after)



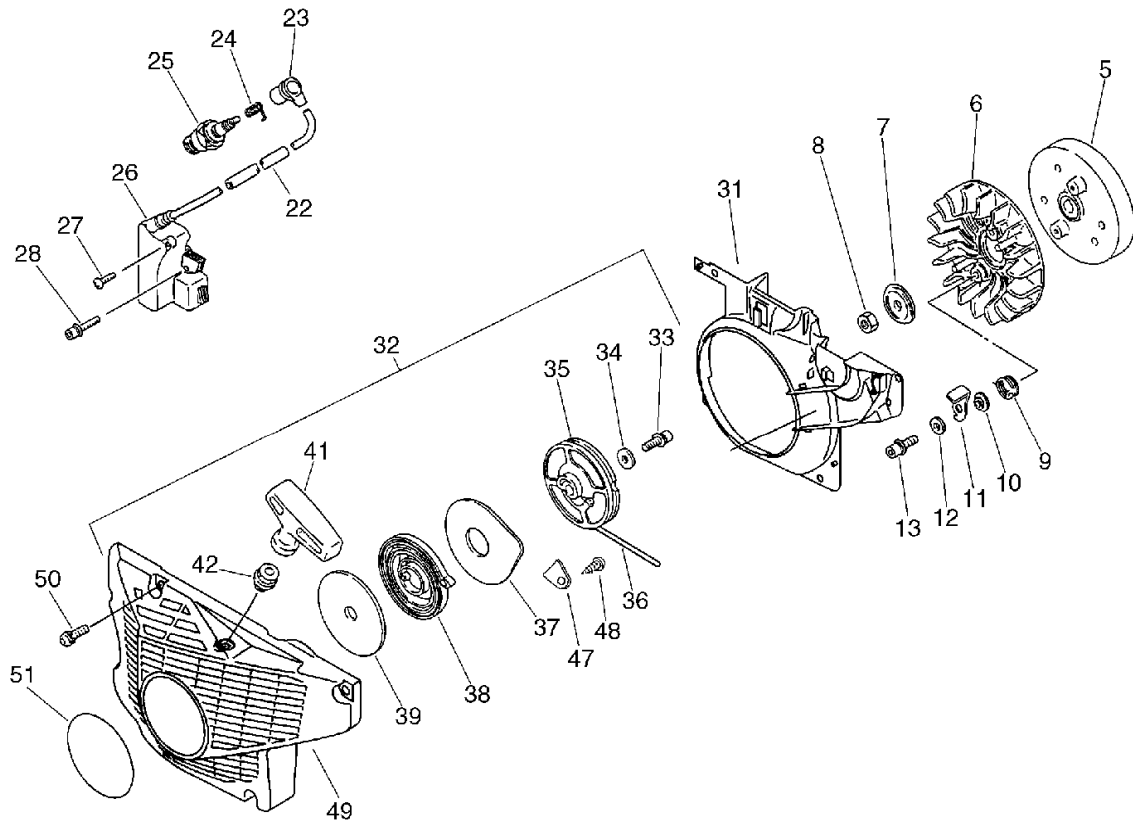
KEY	LV	PART NUMBER	Q'TY	DESCRIPTION	REMARKS	NOTE1	NOTE2
1		X503-005551	1	LABEL,MODEL			
3		130322-05261	1	NUT			
4		890057-07060	1	LABEL			
5		130313-06061	1	COVER, AIR CLEANER			
6		130305-07061	1	FILTER, AIR			
7	+	130305-25061	1	FILTER, AIR			
8		130712-06061	1	STUD	5*42		
9		A225-000130	1	CASE,CLEANER			
11		900238-05025	1	SCREW 5*25	5*25		
12		900238-05016	4	SCREW 5*16	5*16		
13		130435-07060	2	BOLT			
15		129013-30831	1	SCREW, IDLE SPEED			
16		900720-20007	1	O-RING 7	P-7		
17		890185-03460	1	LABEL, IDLE			
18		100905-32331	1	CUSHION (R)			
19		V140-000010	1	GROMMET,HOSE			
20		130110-19830	1	PIPE, IMPULSE			
21		900252-05014	1	SCREW 5*14	5*14		
22		900252-05053	2	SCREW 5*53	5*53		
23		130821-06060	1	SCREEN			
24		V420-000691	1	CUSHION			
25		V362-000020	1	COLLAR,22			
26		A204-000030	1	ELBOW,CARBURETOR			
27		130010-20760	1	GASKET, INTAKE			
28		A021-000730	1	CARBURETOR,DIAPHRAGM	HDA-216		
29		178510-32330	1	ROD, CHOKE			

5. Air Cleaner, Muffler(SrNr 36001181 and after)



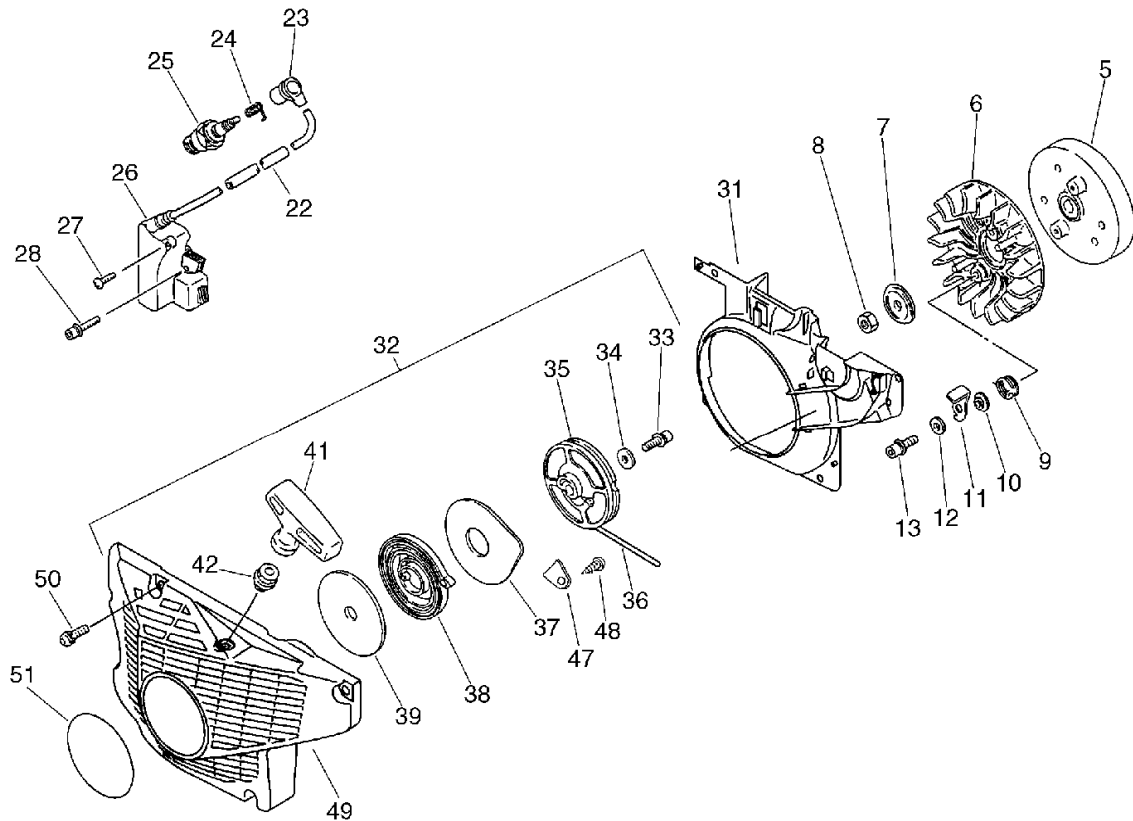
KEY	LV	PART NUMBER	Q'TY	DESCRIPTION	REMARKS	NOTE1	NOTE2
30		178810-33331	1	GROMMET, CHOKE			
31		178011-32630	1	ROD, THROTTLE		SrNr 36001181 and after	
32		178114-32630	1	HOLDER, THR. LEVER			
33		163400-30830	1	SWITCH, IGNITION			
34		890157-30130	1	LABEL, SWITCH			
35		162021-32530	1	LEAD			
36		900162-05020	6	BOLT, H.S. 5*20	5*20 W,SW		
37		A220-000030	1	CASE, CARBURETOR			
38		132115-01461	1	GROMMET			
39		437211-14730	1	PIPE, OIL	6*3*130L		
40		890157-39130	1	LABEL, SWITCH			
41		163810-30130	1	BRACKET, SWITCH			
42		156635-32530	1	PLATE, GROUND			
43		900252-05010	1	SCREW 5*10	5*10		
44		900252-04010	1	SCREW 4*10	4*10		
49		145510-32431	1	GASKET, MUFFLER			
50		145610-32430	1	MUFFLER			
51		145711-32430	1	BRACKET, MUFFLER			
52		900162-05014	2	BOLT, H.S. 5*14	5*14 W,SW		
54		A313-000460	1	GUIDE, EXH			
55		900162-04010	2	BOLT, H.S. 4*10	4*10 W,SW		
56		101578-38431	1	PLUG			

6. Starter, Magneto(SrNr 36001130 and before)



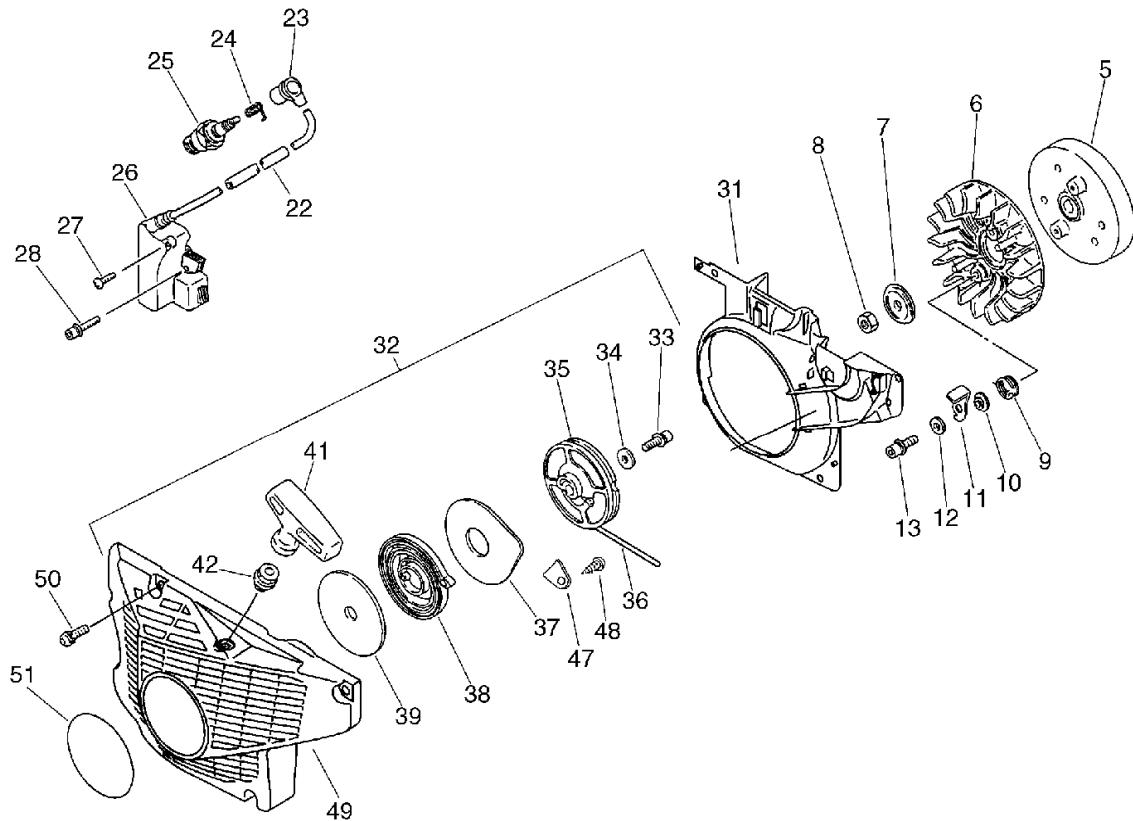
KEY	LV	PART NUMBER	Q'TY	DESCRIPTION	REMARKS	NOTE1	NOTE2
5		156800-32631	1	ROTOR, MAGNETO			
6		101521-32330	1	FAN, COOLING			
7		100143-19830	1	WASHER	8.2*31*0.8		
8		900500-00008	1	NUT 8	8*P1.25		
9		177234-19830	2	SPRING, RETURN		Sus. by 177234-19832	
9		177234-19831	2	SPRING, RETURN		Sus. by 177234-19832	
9		177234-19832	2	SPRING, RETURN			
10		V353-000200	2	COLLAR,5		Sus. by V353-000201	
10		V353-000201	2	COLLAR,5			
11		177218-32631	2	PAWL, STARTER			
12		900603-00005	2	WASHER 5	5.5*12*0.8		
13		900162-05020	2	BOLT, H.S. 5*20	5*20 W,SW	Sus. by V203-000150	
13		V203-000150	2	BOLT,5	5*18		
22		156611-19830	1	TUBE			
23		A427-000011	1	CAP, SPARK PLUG		Sus. by A427-000012	
23		A427-000012	1	CAP, SPARK PLUG			
24		A426-000010	1	TERMINAL, SPARK PLUG			
25		159010-10230	1	PLUG, SPARK (BPMR-7A)	BPMR-7A		
26		156601-32631	1	COIL, IGNITION			
27		900242-04008	1	SCREW	4*8		
28		900162-04020	2	BOLT, H.S. 4*20	4*20 W,SW		

6. Starter, Magneto(SrNr 36001130 and before)



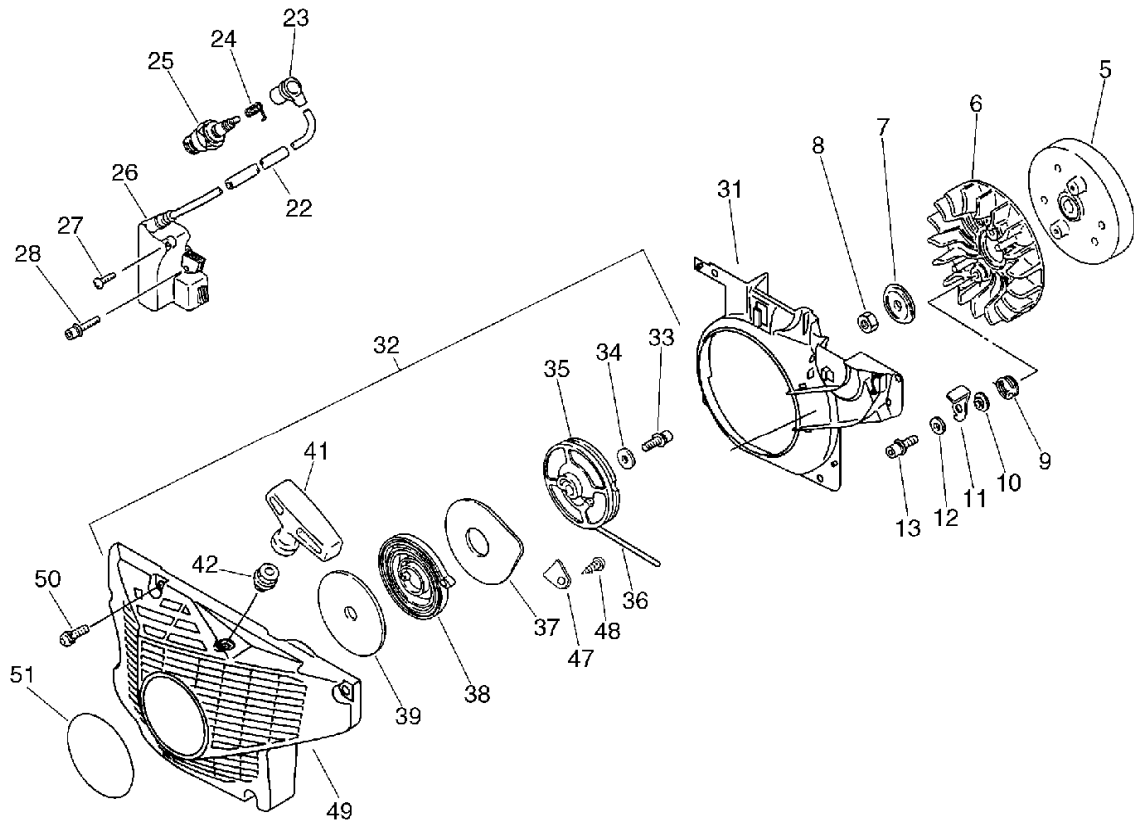
KEY	LV	PART NUMBER	Q'TY	DESCRIPTION	REMARKS	NOTE1	NOTE2
31		A172-000130	1	COVER,FAN			
32		P021-007500	1	STARTER ASY			
33	+	900162-05014	1	BOLT, H.S. 5*14	5*14 W,SW		
34	+	900603-00005	1	WASHER 5	5.5*12*0.8		
35	+	177215-07060	1	DRUM, STARTER			
36	+	177226-06060	1	ROPE, STARTER	3.8*900		
37	+	177221-07060	1	PLATE, STARTER			
38	+	177220-02834	1	SPRING, REWIND			
39	+	177221-02830	1	PLATE, STARTER			
41	+	177228-30830	1	GRIP, STARTER			
42	+	177227-07060	1	GUIDE, ROPE			
47	+	433144-15130	1	PLATE,EYE			
48	+	900253-04008	1	SCREW 4*8	4*8		
49	+	A500-000061	1	CASE,STARTER			
50		900162-05020	4	BOLT, H.S. 5*20	5*20 W,SW		
51		890118-17930	1	LABEL, ECHO		Sus. by X502-000460	

7. Starter, Magneto(SrNr 36001130 and after)



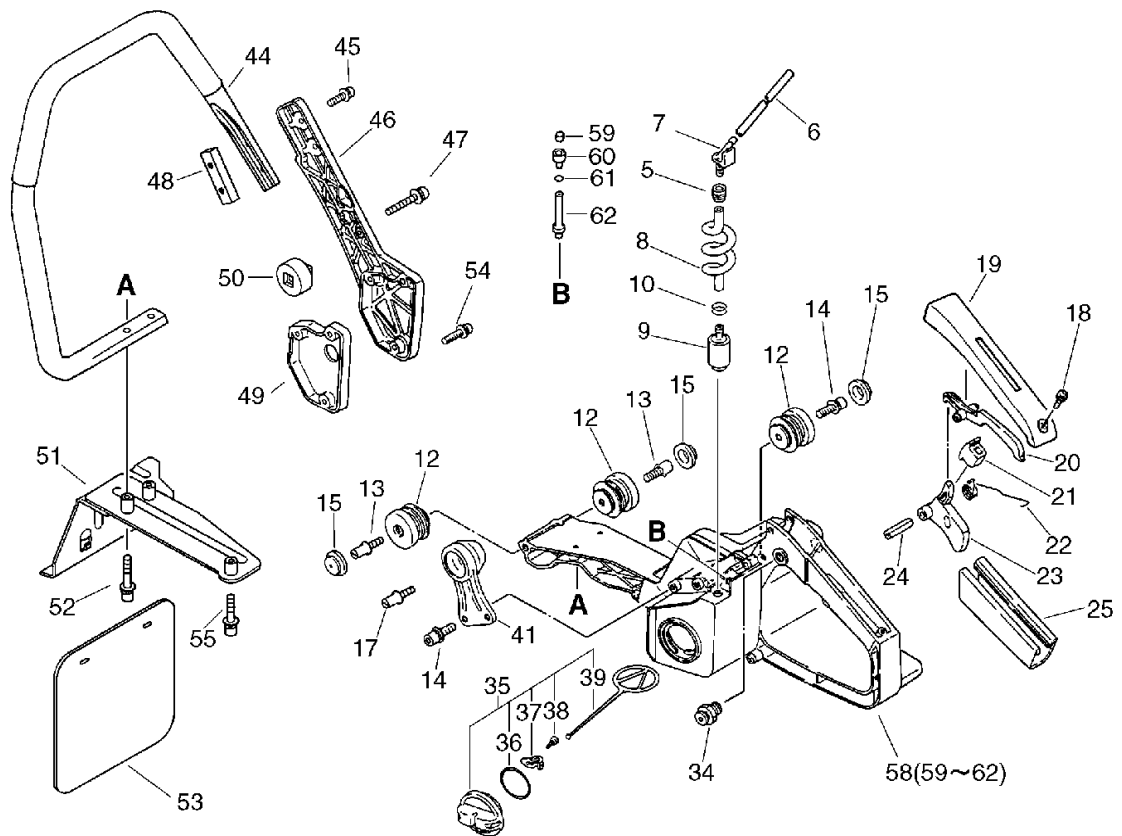
KEY	LV	PART NUMBER	Q'TY	DESCRIPTION	REMARKS	NOTE1	NOTE2
5		156800-32631	1	ROTOR, MAGNETO			
6		101521-32330	1	FAN, COOLING			
7		100143-19830	1	WASHER	8.2*31*0.8		
8		900500-00008	1	NUT 8	8*P1.25		
9		177234-19832	2	SPRING, RETURN			
10		V353-000201	2	COLLAR,5			
11		177218-32631	2	PAWL, STARTER			
12		900603-00005	2	WASHER 5	5.5*12*0.8		
13		V203-000150	2	BOLT,5	5*18		
22		156611-19830	1	TUBE			
23		A427-000012	1	CAP, SPARK PLUG		Sus. by A427-000013	
24		A426-000010	1	TERMINAL, SPARK PLUG			
25		159010-10230	1	PLUG, SPARK (BPMR-7A)	BPMR-7A		
26		156601-32631	1	COIL, IGNITION		Sus. by 156601-32632	
27		900242-04008	1	SCREW	4*8		
28		900162-04020	2	BOLT, H.S. 4*20	4*20 W,SW		
31		A172-000130	1	COVER, FAN			
32		P021-007500	1	STARTER ASY			
33	+	900162-05014	1	BOLT, H.S. 5*14	5*14 W,SW		
34	+	900603-00005	1	WASHER 5	5.5*12*0.8		
35	+	177215-07060	1	DRUM, STARTER			
36	+	177226-06060	1	ROPE, STARTER	3.8*900		
37	+	177221-07060	1	PLATE, STARTER			
38	+	177220-02834	1	SPRING, REWIND			

7. Starter, Magneto(SrNr 36001130 and after)



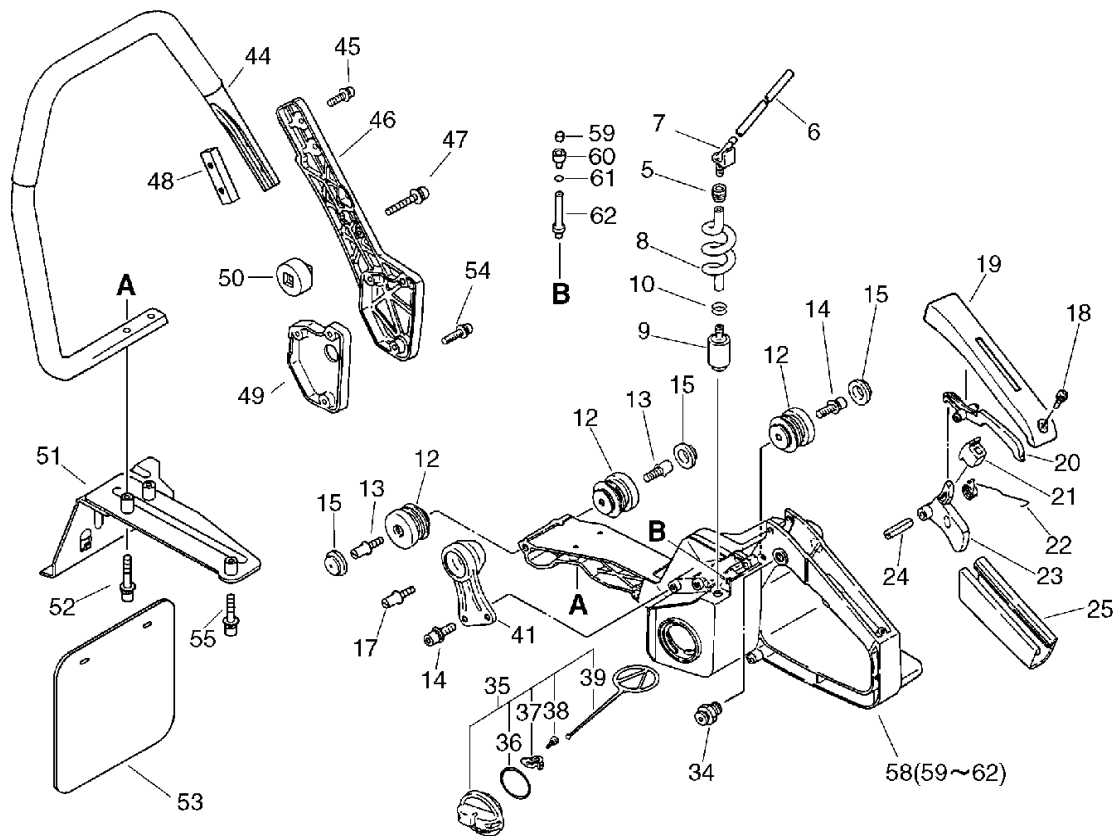
KEY	LV	PART NUMBER	Q'TY	DESCRIPTION	REMARKS	NOTE1	NOTE2
39	+	177221-02830	1	PLATE, STARTER			
41	+	177228-30830	1	GRIP, STARTER			
42	+	177227-07060	1	GUIDE, ROPE			
47	+	433144-15130	1	PLATE,EYE			
48	+	900253-04008	1	SCREW 4*8	4*8		
49	+	A500-000061	1	CASE,STARTER			
50		900162-05020	4	BOLT, H.S. 5*20	5*20 W,SW		
51		890118-17930	1	LABEL, ECHO		Sus. by X502-000460	
51		X502-000460	1	LABEL,ECHO			

8. Handle(SrNr 36001130 and before)



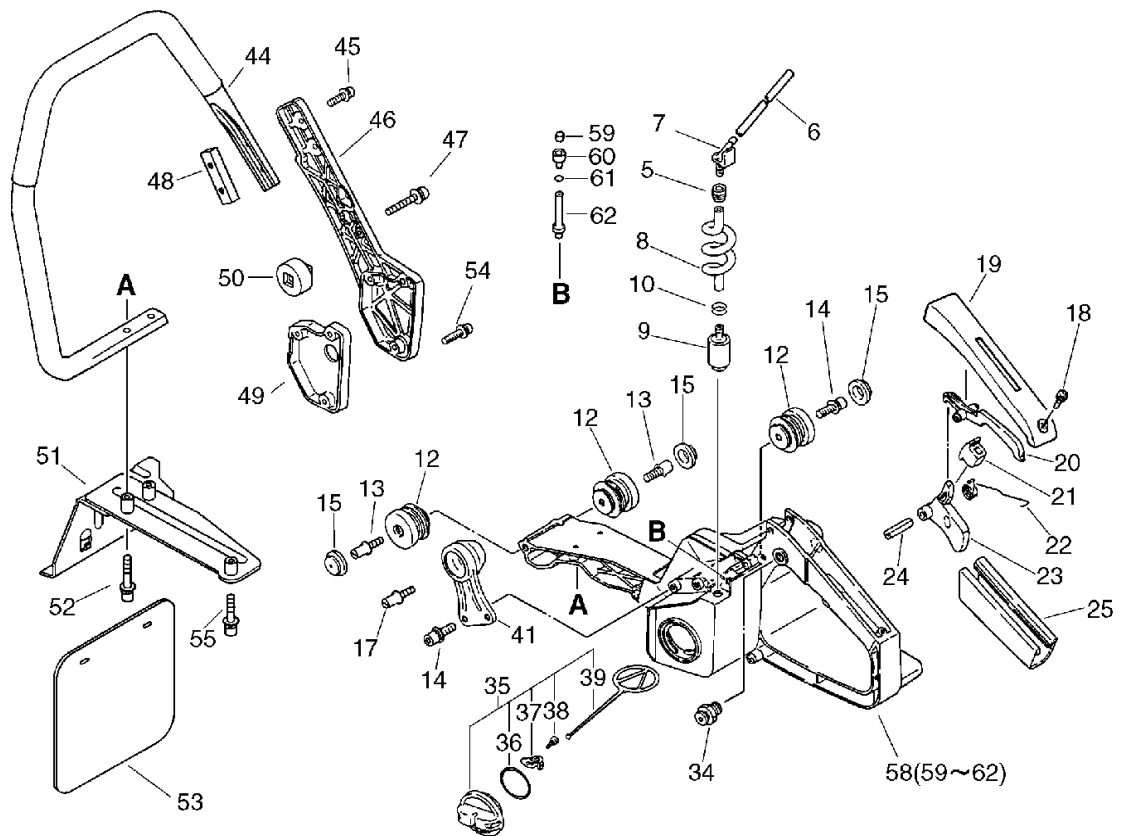
KEY	LV	PART NUMBER	Q'TY	DESCRIPTION	REMARKS	NOTE1	NOTE2
5		132115-01461	1	GROMMET			
6		132012-19830	1	PIPE 3*6*100	3*6*100	Sus. by 437217-20760	
6		437217-20760	1	PIPE 3*6*100	3*6*100 NBR		
7		132011-19830	1	CONNECTOR, FUEL PIPE		Sus. by 132011-19831	
8		132010-30830	1	PIPE			
9		131205-19830	1	STRAINER, FUEL			
10		132013-26630	1	CLIP	6.5MM	SrNr 36001131 and after	
12		100922-32430	3	CUSHION (A)			
13		100915-32530	2	BOLT			
14		900162-05014	3	BOLT, H.S. 5*14	5*14 W,SW		
15		100918-19830	3	CAP, CUSHION			
17		100915-33930	1	SCREW			
18		900238-04014	1	SCREW 4*14	4*14		
19		351155-35430	1	COVER, HANDLE (BL)			
20		178090-37930	1	LOCKOUT, T. CONTROL			
21		178073-32430	1	CUSHION, THROTTLE		Disuse	
22		178043-19830	1	SPRING, THR. RETURN			
23		178010-19830	1	CONTROL, THROTTLE		SrNr 36001180 and before	
24		900342-50025	1	PIN, SPRING 5*25	5*25		
25		351111-19830	1	GRIP, HANDLE			
34		178302-12330	1	LATCH, THROTTLE			
35		131004-37631	1	CAP ASSY, FUEL TANK			

8. Handle(SrNr 36001130 and before)



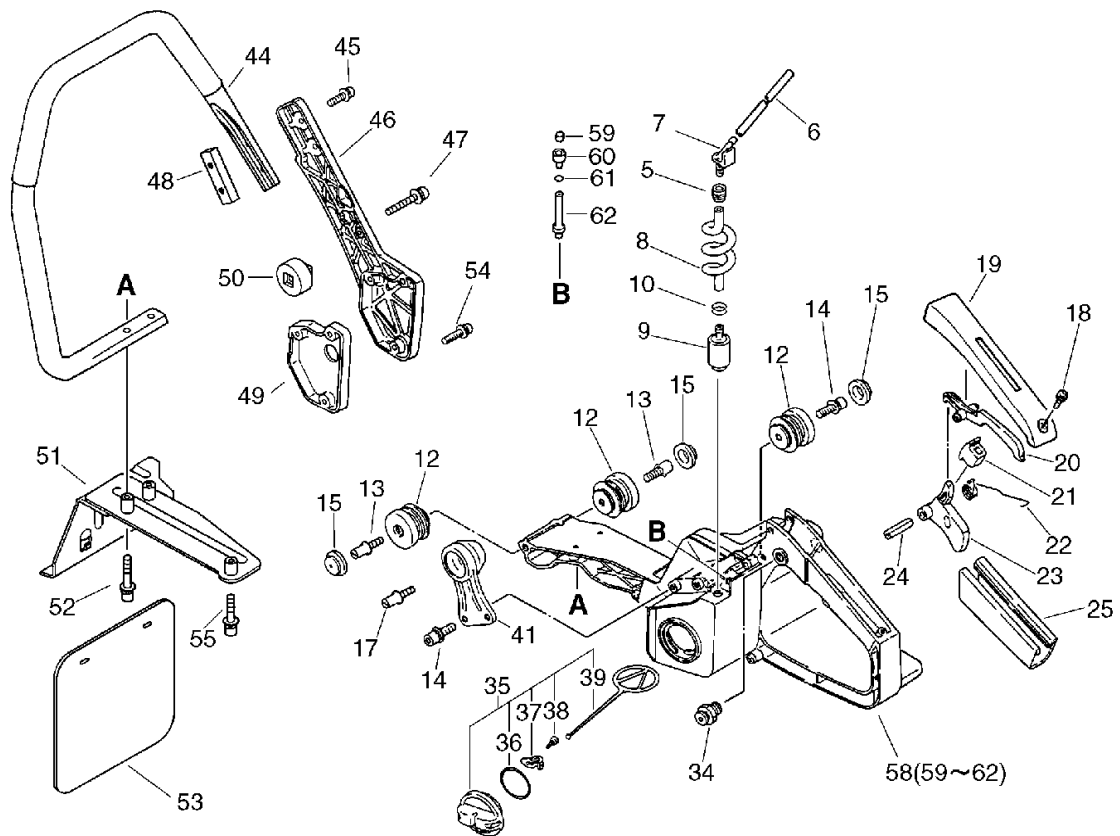
KEY	LV	PART NUMBER	Q'TY	DESCRIPTION	REMARKS	NOTE1	NOTE2
36	+	900720-20029	1	O-RING 29	P-29		
37	+	131050-19830	1	RETAINER, LINK			
38	+	900246-03008	1	SCREW 3*8	3*8		
39	+	131051-19830	1	LINK	60L		
41		100921-32431	1	CUSHION(C)			
44		C400-000240	1	HANDLE, FRONT			
45		900238-05020	2	SCREW 5*20	5*20		
46		351616-38130	1	BRACKET, HANDLE			
47		900238-05030	1	SCREW 5*30	5*30		
48		305114-06060	1	BRACKET			
49		351612-06060	1	SPACER			
50		351630-06060	1	SPACER			
51		C423-000130	1	FIXTURE, HANDLE			
52		900162-05035	2	BOLT, H.S. 5*35	5*35 W, SW		
53		305115-06060	1	SHIELD			
54		900238-05035	3	SCREW 5*35	5*35		
55		900162-05030	1	BOLT, H.S. 5*30	5*30 W, SW		
58		P021-007480	1	HANDLE, REAR			
59	+	131300-56430	1	VALVE, CHECK			
60	+	131328-40630	1	COVER, VENT			
61	+	130111-00530	1	CLIP	5.5		
62	+	131312-32430	1	PIPE, VENT			

9. Handle(SrNr 36001130 to 36001180)



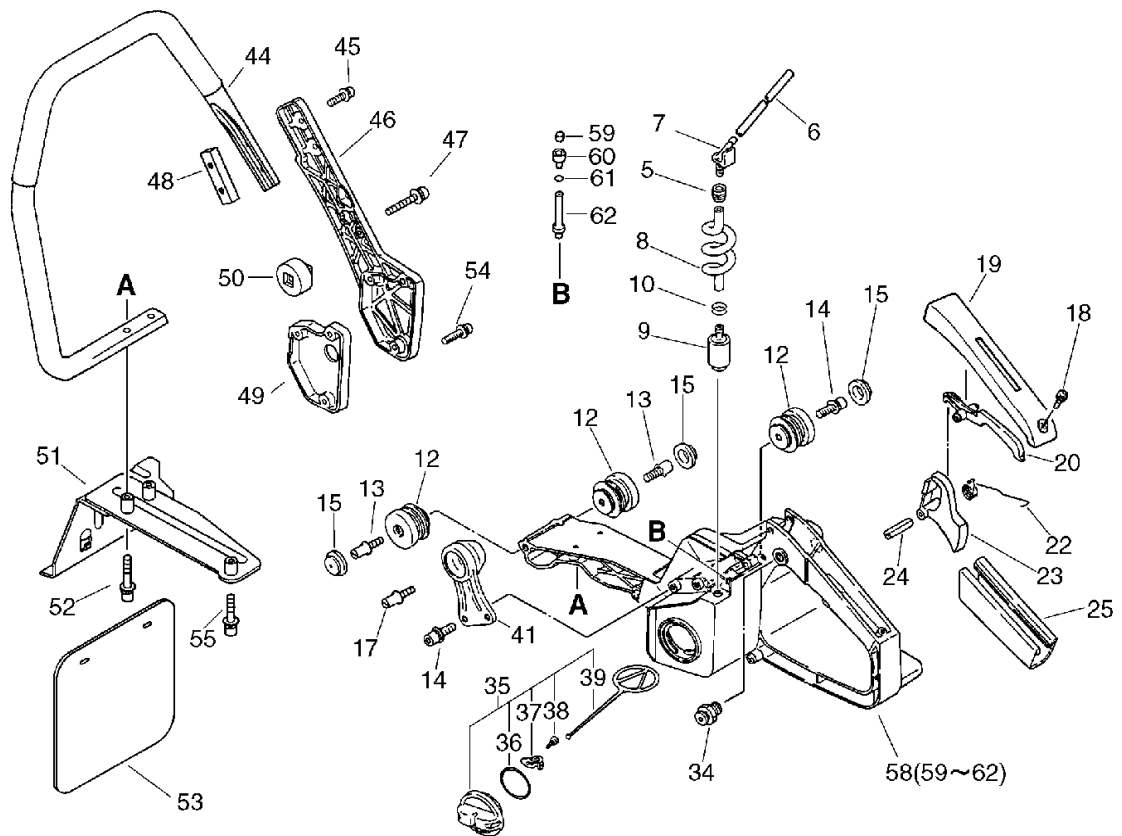
KEY	LV	PART NUMBER	Q'TY	DESCRIPTION	REMARKS	NOTE1	NOTE2
5		132115-01461	1	GROMMET			
6		437217-20760	1	PIPE 3* 6*100	3*6*100 NBR		
7		132011-19831	1	CONNECTOR, FUEL PIPE			
8		132010-30830	1	PIPE			
9		131205-19830	1	STRAINER, FUEL			
10		132013-26630	1	CLIP	6.5MM		
12		100922-32430	3	CUSHION (A)			
13		100915-32530	2	BOLT			
14		900162-05014	3	BOLT, H.S. 5*14	5*14 W.SW		
15		100918-19830	3	CAP, CUSHION			
17		100915-33930	1	SCREW			
18		900238-04014	1	SCREW 4*14	4*14		
19		351155-35430	1	COVER, HANDLE (BL)			
20		178090-37930	1	LOCKOUT, T. CONTROL			
21		178073-32430	1	CUSHION, THROTTLE		Disuse	
22		178043-19830	1	SPRING, THR. RETURN			
23		178010-19830	1	CONTROL, THROTTLE		SrNr 36001180 and after	
24		900342-50025	1	PIN, SPRING 5*25	5*25		
25		351111-19830	1	GRIP, HANDLE			
34		178302-12330	1	LATCH, THROTTLE			
35		131004-37631	1	CAP ASSY, FUEL TANK			
36	+	900720-20029	1	O-RING 29	P-29		
37	+	131050-19830	1	RETAINER, LINK			
38	+	900246-03008	1	SCREW 3*8	3*8		
39	+	131051-19830	1	LINK	60L		

9. Handle(SrNr 36001130 to 36001180)



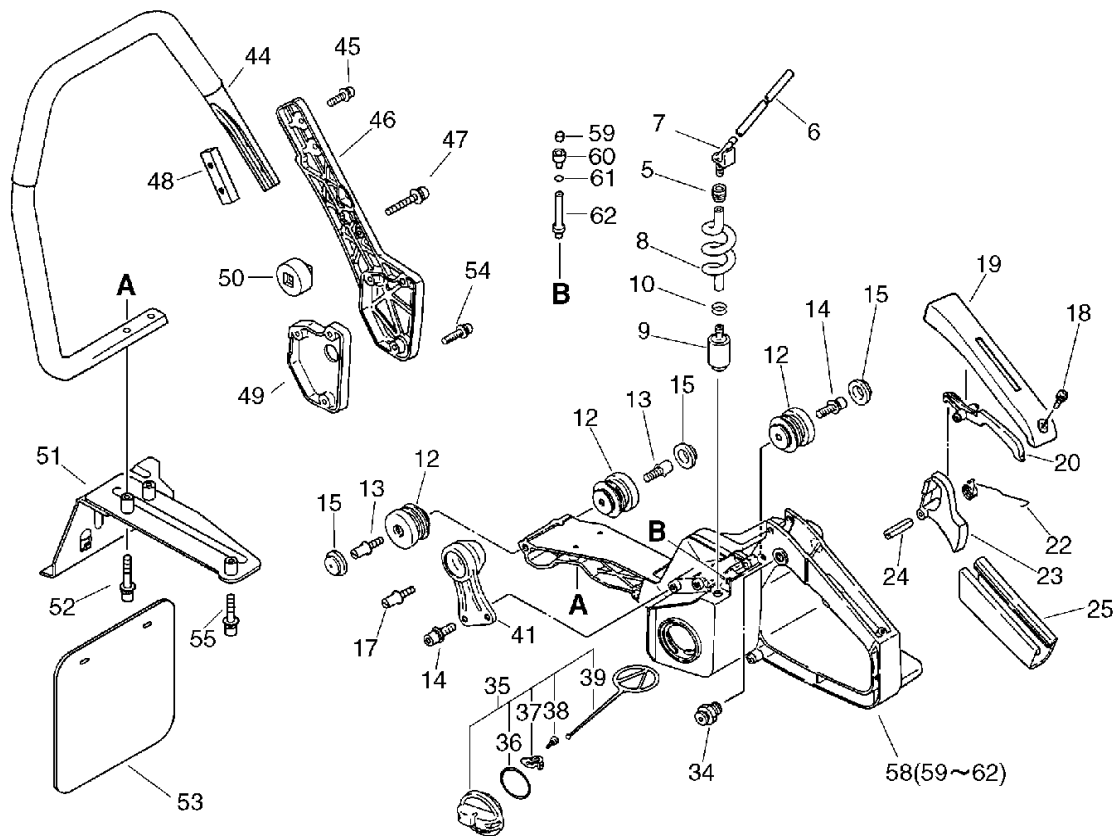
KEY	LV	PART NUMBER	Q'TY	DESCRIPTION	REMARKS	NOTE1	NOTE2
41		100921-32431	1	CUSHION(C)			
44		C400-000240	1	HANDLE,FRONT			
45		900238-05020	2	SCREW 5*20	5*20		
46		351616-38130	1	BRACKET, HANDLE			
47		900238-05030	1	SCREW 5*30	5*30		
48		305114-06060	1	BRACKET			
49		351612-06060	1	SPACER			
50		351630-06060	1	SPACER			
51		C423-000130	1	FIXTURE,HANDLE			
52		900162-05035	2	BOLT, H.S. 5*35	5*35 W,SW		
53		305115-06060	1	SHIELD			
54		900238-05035	3	SCREW 5*35	5*35		
55		900162-05030	1	BOLT, H.S. 5*30	5*30 W,SW		
58		P021-007480	1	HANDLE, REAR			
59	+	131300-56430	1	VALVE, CHECK			
60	+	131328-40630	1	COVER, VENT			
61	+	130111-00530	1	CLIP	5.5		
62	+	131312-32430	1	PIPE, VENT			

10. Handle(SrNr 36001181to 36001280)



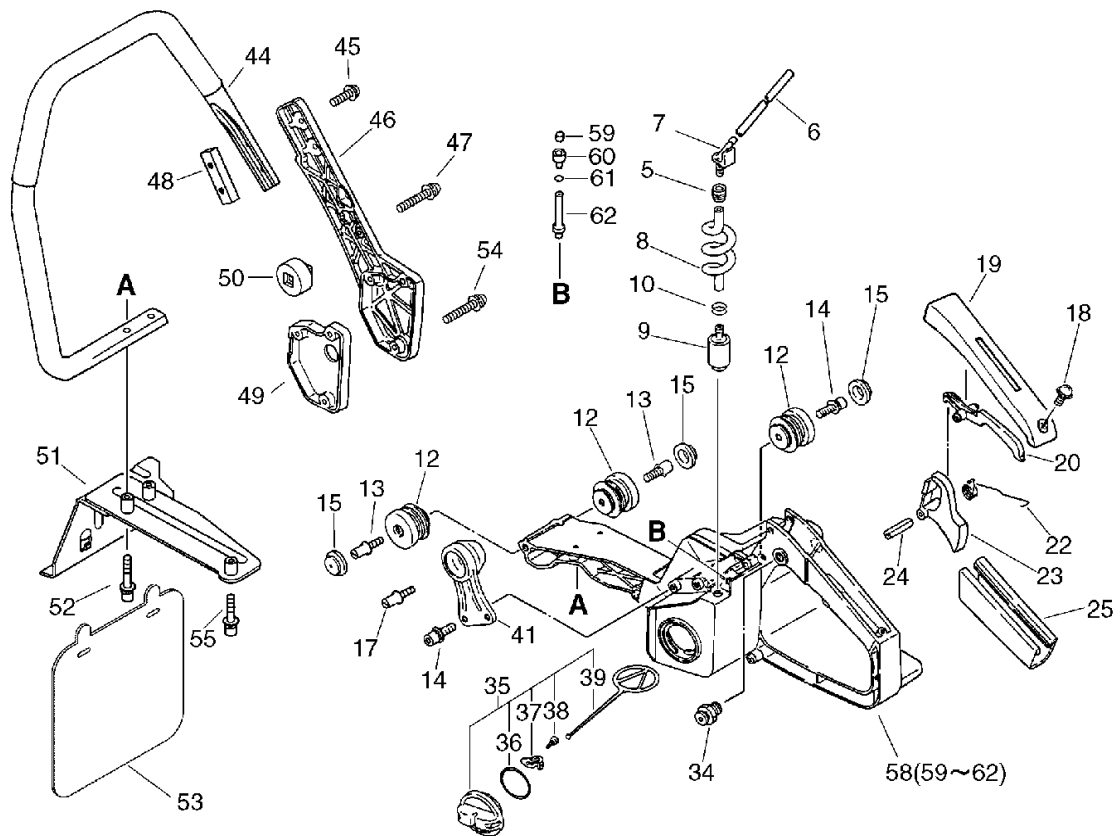
KEY	LV	PART NUMBER	Q'TY	DESCRIPTION	REMARKS	NOTE1	NOTE2
5		132115-01461	1	GROMMET			
6		437217-20760	1	PIPE 3*6*100	3*6*100 NBR		
7		132011-19831	1	CONNECTOR, FUEL PIPE			
8		132010-30830	1	PIPE			
9		131205-19830	1	STRAINER, FUEL		Sus. by 131205-19831	
10		132013-26630	1	CLIP	6.5MM		
12		100922-32430	3	CUSHION (A)			
13		100915-32530	2	BOLT			
14		900162-05014	3	BOLT, H.S. 5*14	5*14 W,SW		
15		100918-19830	3	CAP, CUSHION			
17		100915-33930	1	SCREW			
18		900238-04014	1	SCREW 4*14	4*14		
19		351155-35430	1	COVER, HANDLE (BL)			
20		178090-37930	1	LOCKOUT, T. CONTROL			
22		178043-19830	1	SPRING, THR. RETURN			
23		C450-000280	1	TRIGGER, THROTTLE		SrNr 36001181 and after Sus. by C450-000281	
23		C450-000281	1	TRIGGER, THROTTLE			
24		900342-50025	1	PIN, SPRING 5*25	5*25		
25		351111-19830	1	GRIP, HANDLE			
34		178302-12330	1	LATCH, THROTTLE			
35		131004-37631	1	CAP ASSY, FUEL TANK			
36	+	900720-20029	1	O-RING 29	P-29		

10. Handle(SrNr 36001181to 36001280)



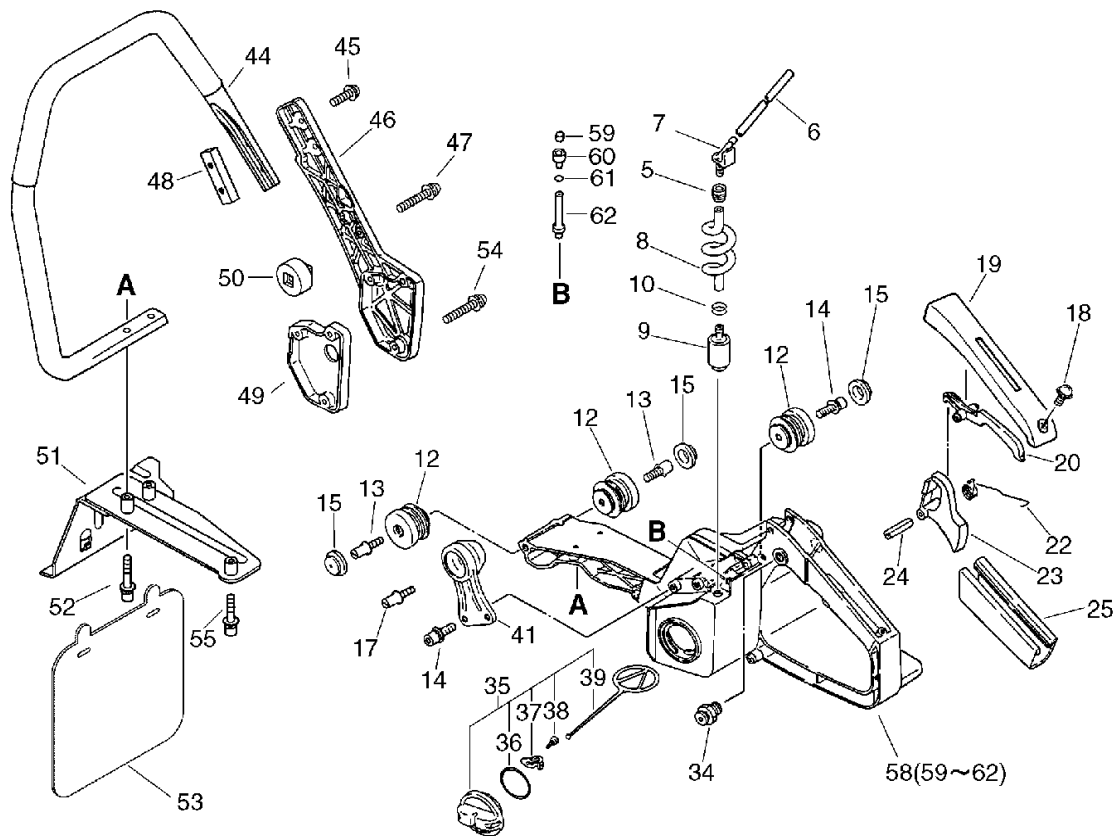
KEY	LV	PART NUMBER	Q'TY	DESCRIPTION	REMARKS	NOTE1	NOTE2
37	+	131050-19830	1	RETAINER, LINK			
38	+	900246-03008	1	SCREW 3*8	3*8		
39	+	131051-19830	1	LINK	60L		
41		100921-32431	1	CUSHION(C)			
44		C400-000240	1	HANDLE,FRONT			
45		900238-05020	2	SCREW 5*20	5*20		
46		351616-38130	1	BRACKET, HANDLE			
47		900238-05030	1	SCREW 5*30	5*30		
48		305114-06060	1	BRACKET			
49		351612-06060	1	SPACER		Sus. by 351612-06061	
50		351630-06060	1	SPACER			
51		C423-000130	1	FIXTURE,HANDLE			
52		900162-05035	2	BOLT, H.S. 5*35	5*35 W,SW		
53		305115-06060	1	SHIELD		SrNr 36001280 and before	
54		900238-05035	3	SCREW 5*35	5*35		
55		900162-05030	1	BOLT, H.S. 5*30	5*30 W,SW		
58		P021-007480	1	HANDLE, REAR			
59	+	131300-56430	1	VALVE, CHECK			
60	+	131328-40630	1	COVER, VENT			
61	+	130111-00530	1	CLIP	5.5		
62	+	131312-32430	1	PIPE, VENT			

11. Handle(SrNr 36001281 and after)



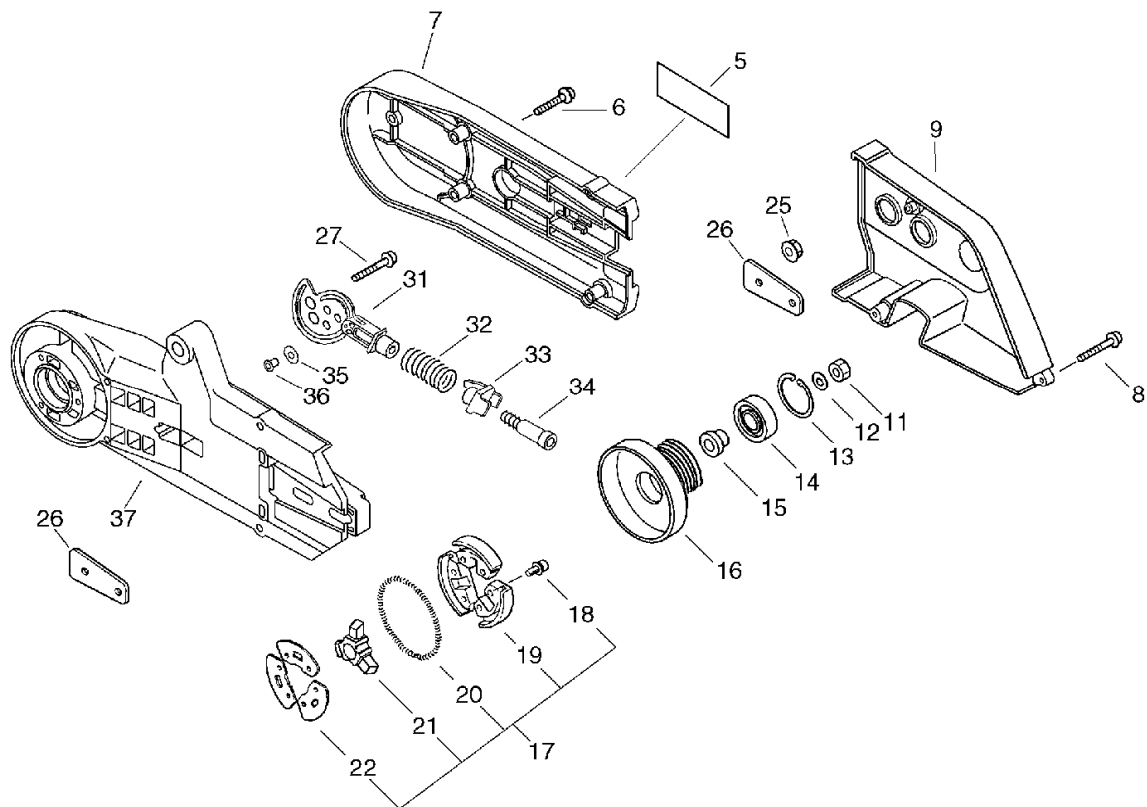
KEY	LV	PART NUMBER	Q'TY	DESCRIPTION	REMARKS	NOTE1	NOTE2
5		132115-01461	1	GROMMET			
6		437217-20760	1	PIPE 3*6*100	3*6*100 NBR		
7		132011-19831	1	CONNECTOR, FUEL PIPE			
8		132010-30830	1	PIPE			
9		131205-19830	1	STRAINER, FUEL			
9		131205-19831	1	STRAINER, FUEL			
10		132013-26630	1	CLIP	6.5MM		
12		100922-32430	3	CUSHION (A)			
13		100915-32530	2	BOLT			
14		900162-05014	3	BOLT, H.S. 5*14	5*14 W,SW		
15		100918-19830	3	CAP, CUSHION			
17		100915-33930	1	SCREW			
18		900238-04014	1	SCREW 4*14	4*14		
19		351155-35430	1	COVER, HANDLE (BL)			
20		178090-37930	1	LOCKOUT, T. CONTROL			
22		178043-19830	1	SPRING, THR. RETURN			
23		C450-000281	1	TRIGGER, THROTTLE			
24		900342-50025	1	PIN, SPRING 5*25	5*25		
25		351111-19830	1	GRIP, HANDLE			
34		178302-12330	1	LATCH, THROTTLE			
35		131004-37631	1	CAP ASSY, FUEL TANK			
36	+	900720-20029	1	O-RING 29	P-29		
37	+	131050-19830	1	RETAINER, LINK			
38	+	900246-03008	1	SCREW 3*8	3*8		
39	+	131051-19830	1	LINK	60L		
41		100921-32431	1	CUSHION(C)			

11. Handle(SrNr 36001281 and after)



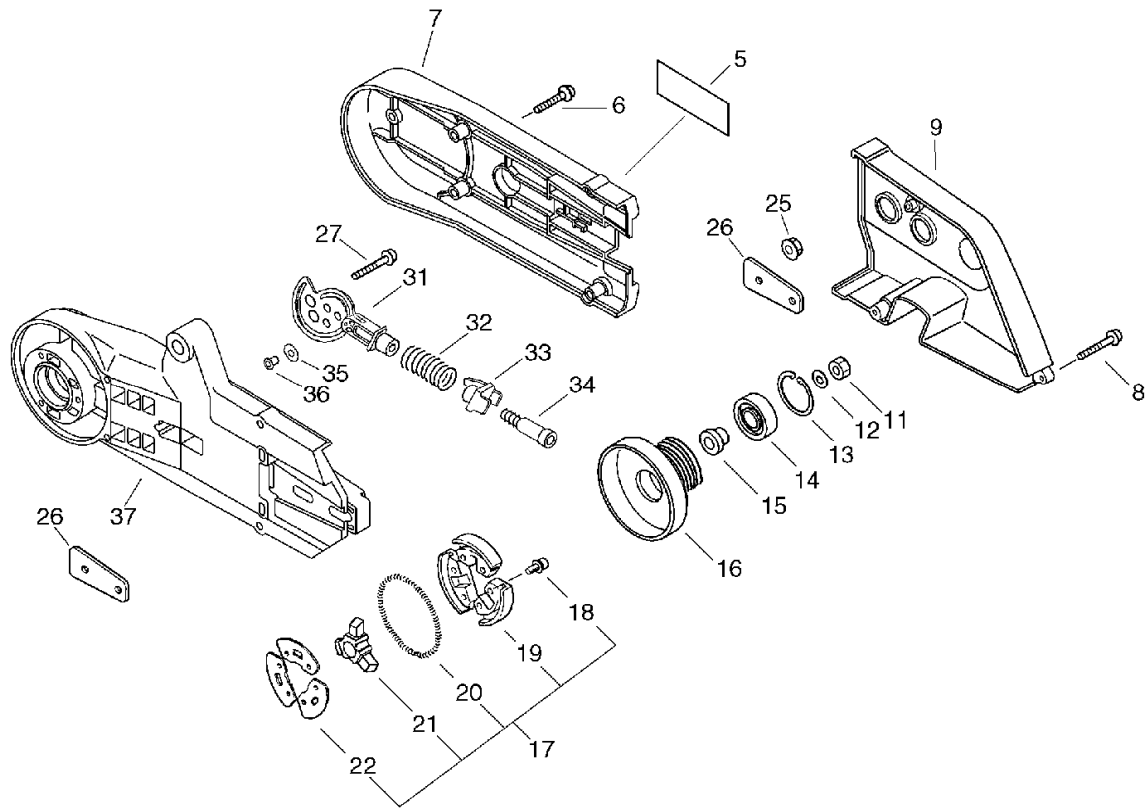
KEY	LV	PART NUMBER	Q'TY	DESCRIPTION	REMARKS	NOTE1	NOTE2
44		C400-000240	1	HANDLE,FRONT			
45		900238-05020	2	SCREW 5*20	5*20		
46		351616-38130	1	BRACKET, HANDLE			
47		900238-05030	1	SCREW 5*30	5*30		
48		305114-06060	1	BRACKET			
49		351612-06061	1	SPACER			
50		351630-06060	1	SPACER			
51		C423-000130	1	FIXTURE,HANDLE			
52		900162-05035	2	BOLT, H.S. 5*35	5*35 W,SW		
53		305115-06061	1	SHIELD		SrNr 36001281 and after	
54		900238-05035	3	SCREW 5*35	5*35		
55		900162-05030	1	BOLT, H.S. 5*30	5*30 W,SW		
58		P021-007480	1	HANDLE, REAR			
59	+	131300-56430	1	VALVE, CHECK			
60	+	131328-40630	1	COVER, VENT			
61	+	130111-00530	1	CLIP	5.5		
62	+	131312-32430	1	PIPE, VENT			

12. Clutch, Arm Cover(SrNr 36001130 and before)



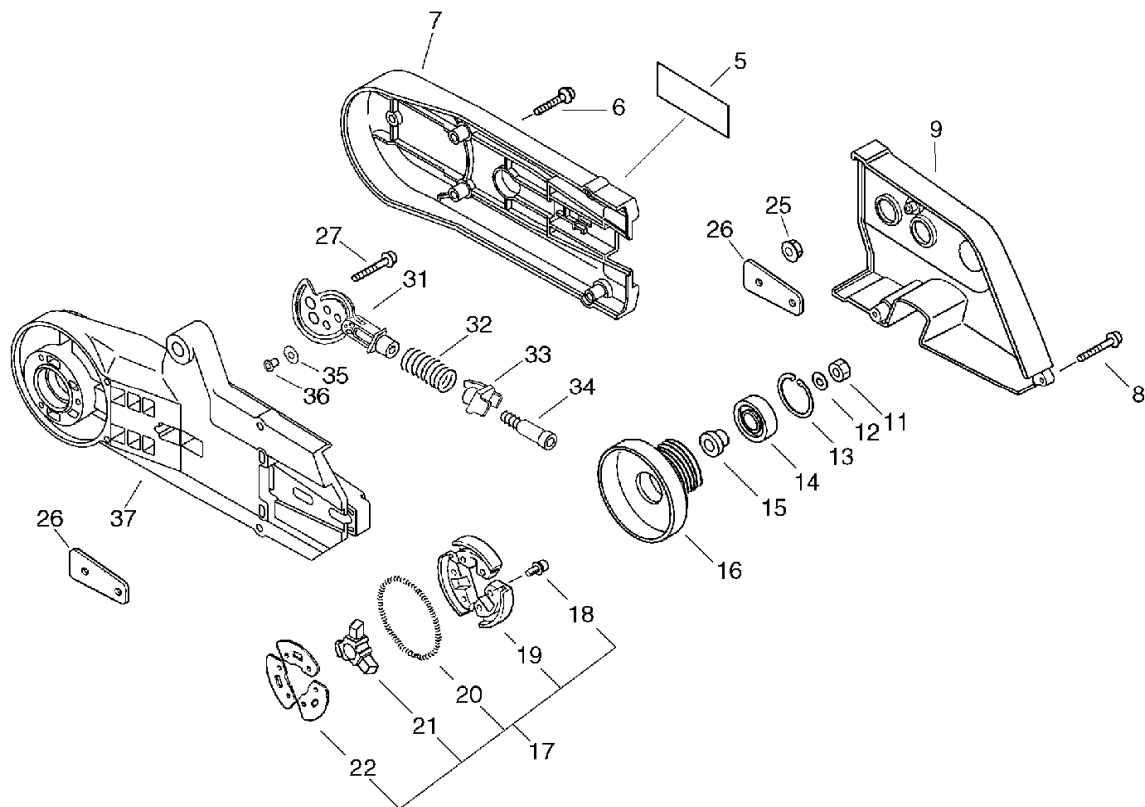
KEY	LV	PART NUMBER	Q'TY	DESCRIPTION	REMARKS	NOTE1	NOTE2
5		890118-07060	1	LABEL, ECHO		Sus. by X502-000540	
6		900238-05025	4	SCREW 5*25	5*25		
7		C361-000010	1	COVER,CUTTER ARM			
8		900238-05025	3	SCREW 5*25	5*25		
9		611111-20760	1	COVER, V-BELT BS			
11		610320-03830	1	NUT 8 L-H			
12		900603-00008	1	WASHER 8	8.5*18*1.6		
13		900702-00028	1	CIRCLIP 28	CR-28		
14		900802-06001	1	BEARING, BALL 6001	6001DDU(LLU)		
15		V356-000260	1	COLLAR,10			
16		A556-000310	1	DRUM,CLUTCH			
17		175000-06061	1	CLUTCH ASSY			
18	+	900105-04006	6	BOLT, H.S. 4*6	4*6		
19	+	175002-32431	1	SHOE, CLUTCH			
20	+	175018-32430	1	SPRING, CLUTCH			
21	+	175016-16130	1	HUB, CLUTCH			
22	+	175019-16130	3	PLATE, CLUTCH			
25		433019-12330	2	NUT, FLANGE 8	M-8		
26		611117-06060	2	SPACER, ARM			
27		900162-05025	1	BOLT, H.S. 5*25	5*25 W,SW		
31		P021-006651	1	SHAFT,ARM ADJUST			
32		611216-05260	1	SPRING, ADJUSTER			
33		V455-000030	1	SEAT,SPRING			
34		V203-000070	1	BOLT,5			
35		175049-56030	1	WASHER	8.5*16*0.5		

12. Clutch, Arm Cover(SrNr 36001130 and before)



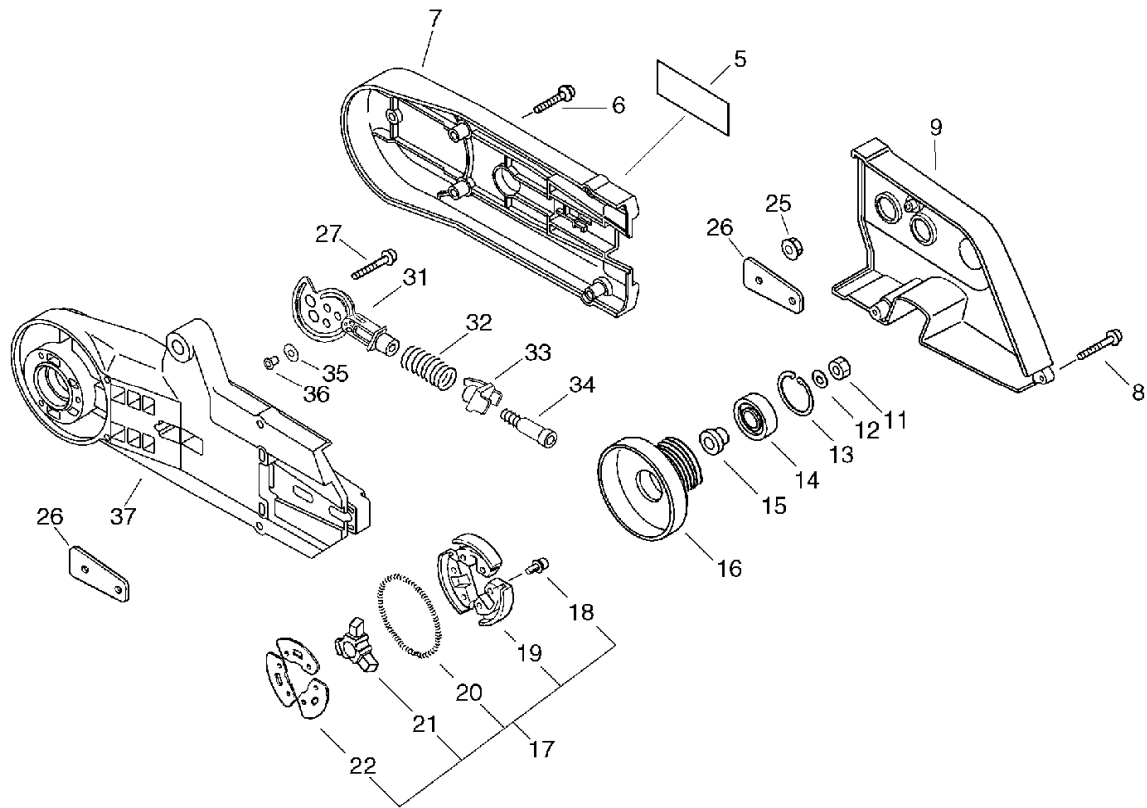
KEY	LV	PART NUMBER	Q'TY	DESCRIPTION	REMARKS	NOTE1	NOTE2
36		104915-08260	1	SPACER			
37		C360-000010	1	ARM,CUTTER		Sus. by C360-000012	
37		C360-000011	1	ARM,CUTTER		Sus. by C360-000012	
37		C360-000012	1	ARM,CUTTER			

13. Clutch, Arm Cover(SrNr 36001130 and After)



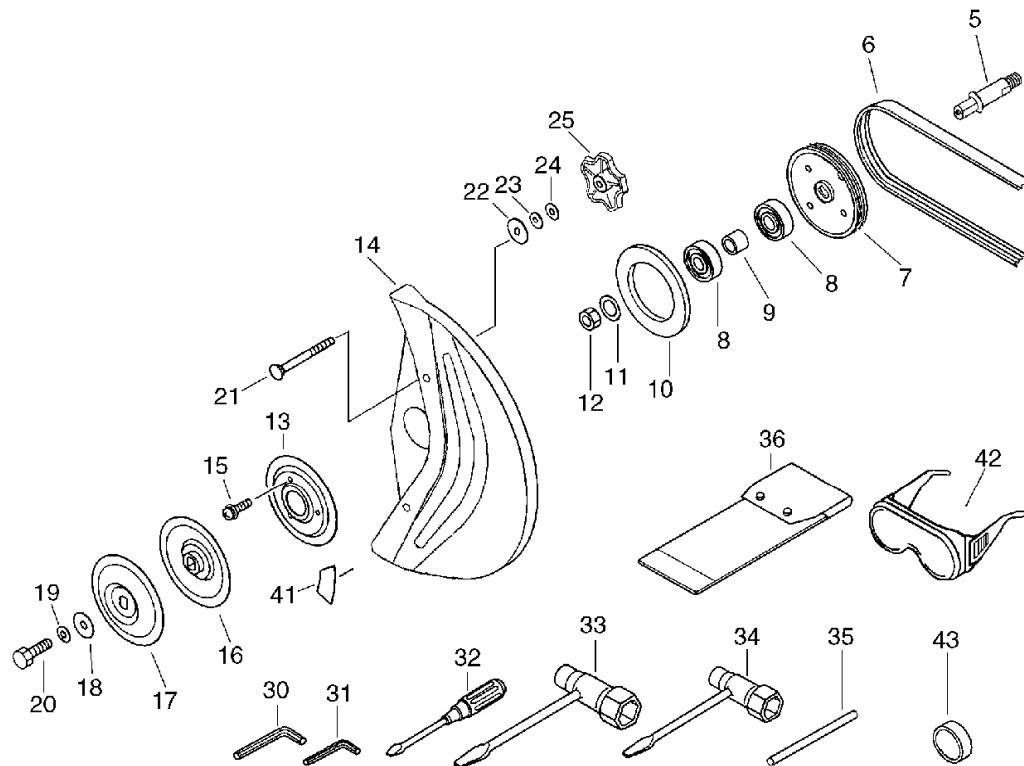
KEY	LV	PART NUMBER	Q'TY	DESCRIPTION	REMARKS	NOTE1	NOTE2
5		890118-07060	1	LABEL, ECHO		Sus. by X502-000540	
5		X502-000540	1	LABEL, ECHO			
6		900238-05025	4	SCREW 5*25	5*25		
7		C361-000010	1	COVER, CUTTER ARM			
8		900238-05025	3	SCREW 5*25	5*25		
9		611111-20760	1	COVER, V-BELT BS			
11		610320-03830	1	NUT 8 L-H			
12		900603-00008	1	WASHER 8	8.5*18*1.6		
13		900702-00028	1	CIRCLIP 28	CR-28		
14		900802-06001	1	BEARING, BALL 6001	6001DDU(LLU)	Sus. by 94002-36001	
15		V356-000260	1	COLLAR, 10			
16		A556-000310	1	DRUM, CLUTCH			
17		175000-06061	1	CLUTCH ASSY			
18	+	900105-04006	6	BOLT, H.S. 4*6	4*6		
19	+	175002-32431	1	SHOE, CLUTCH			
20	+	175018-32430	1	SPRING, CLUTCH			
21	+	175016-16130	1	HUB, CLUTCH			
22	+	175019-16130	3	PLATE, CLUTCH			
25		433019-12330	2	NUT, FLANGE 8	M-8		
26		611117-06060	2	SPACER, ARM			
27		900162-05025	1	BOLT, H.S. 5*25	5*25 W, SW		
31		P021-006651	1	SHAFT, ARM ADJUST		Sus. by P021-006652	
32		611216-05260	1	SPRING, ADJUSTER			

13. Clutch, Arm Cover(SrNr 36001130 and After)



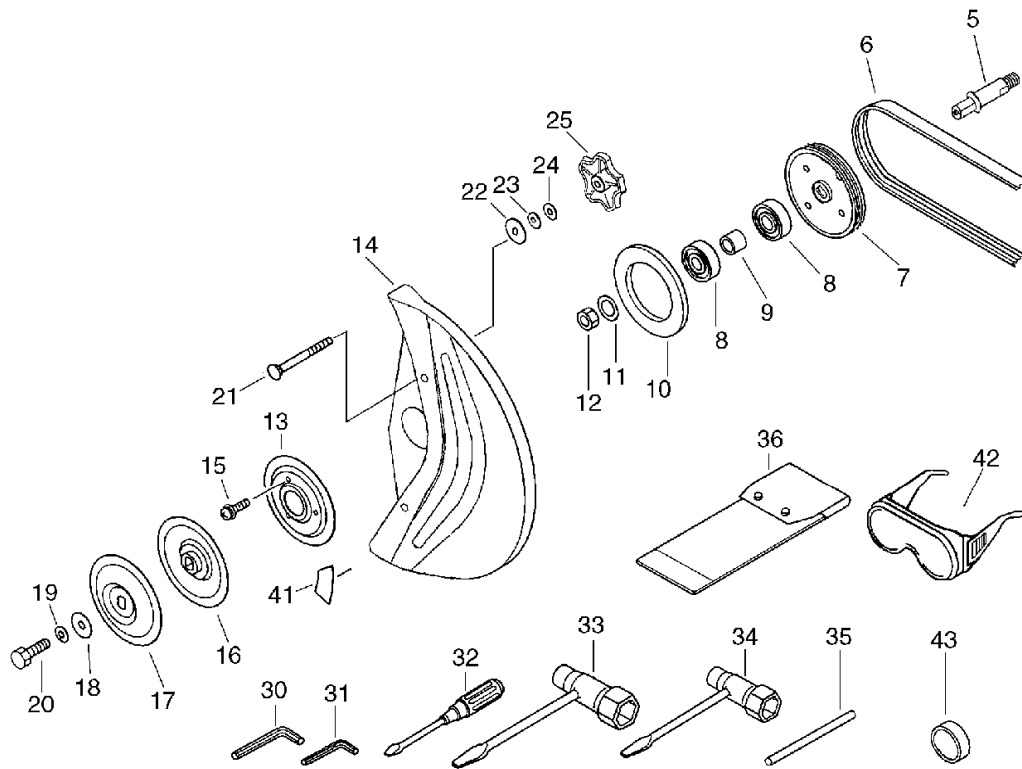
KEY	LV	PART NUMBER	Q'TY	DESCRIPTION	REMARKS	NOTE1	NOTE2
33		V455-000030	1	SEAT,SPRING			
34		V203-000070	1	BOLT,5			
35		175049-56030	1	WASHER	8.5*16*0.5		
36		104915-08260	1	SPACER			
37		C360-000012	1	ARM,CUTTER			

14. Cutter, Belt, Tools(SrNr 36001180 and before)



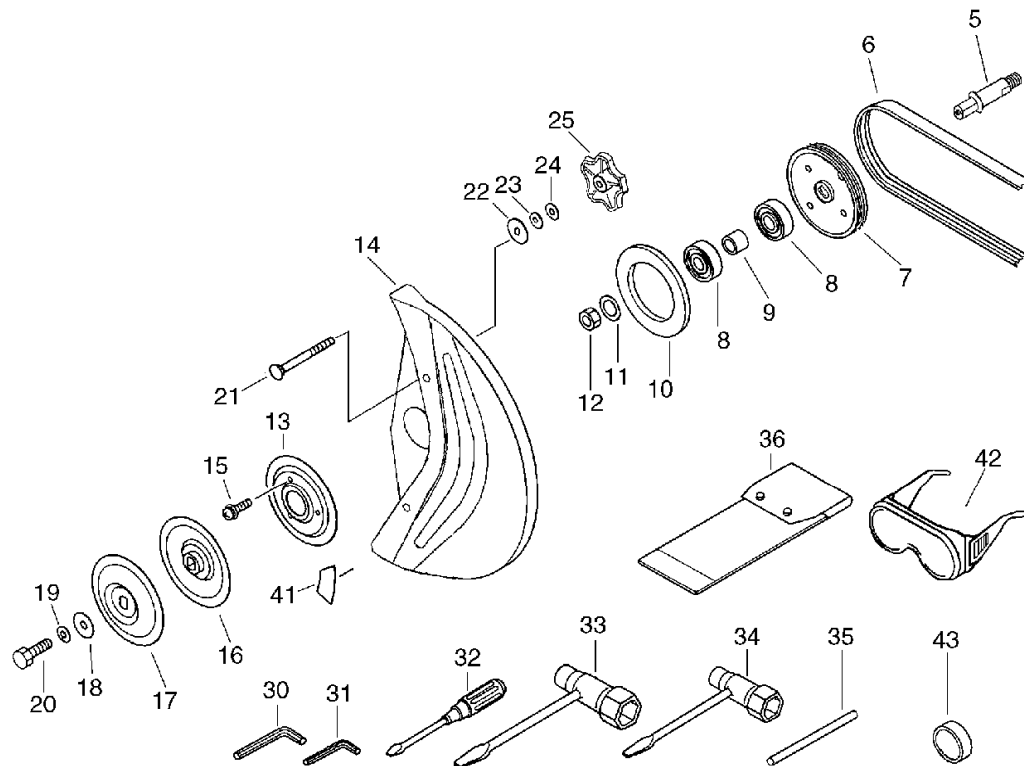
KEY	LV	PART NUMBER	Q'TY	DESCRIPTION	REMARKS	NOTE1	NOTE2
5		C364-000021	1	SHAFT,CUTTER		Sus. by C364-000022	
5		C364-000022	1	SHAFT,CUTTER			
6		V196-000090	1	BELT			
7		V176-000031	1	PULLEY			
8		900812-06202	2	BEARING, BALL 6202	6202DDU(LLU)		
9		606117-21860	1	COLLAR	15.1*19.1*8		
10		689024-05260	1	PLATE, CUSHION			
11		900602-00010	1	WASHER 10(10.5*21*2)	10.5*21*2		
12		900501-00010	1	NUT 10*1.25	10*P1.25		
13		689013-05260	1	PLATE		SrNr 36001050 and before	
13		C371-000000	1	PLATE,CUTTER COVER		SrNr 36001051 and after	
14		C370-000020	1	COVER,CUTTER			
15		900241-04010	3	SCREW 4*10	4*10		
16		611014-07062	1	FLANGE, CUTTER			
17		611015-07062	1	FLANGE, CUTTER			
18		611019-05260	1	WASHER			
19		900605-00010	1	WASHER, SPRING 10	10		
20		611020-05261	1	BOLT		Sus. by V206-000160	
20		V206-000160	1	BOLT,10	M10*1.25*25		
21		V205-000300	1	BOLT,8	M8*1.25*50		
22		V306-000110	1	WASHER,CIRCULAR 8	8.6*28*T2		
23		900600-00008	1	WASHER 8	8		

14. Cutter, Belt, Tools(SrNr 36001180 and before)



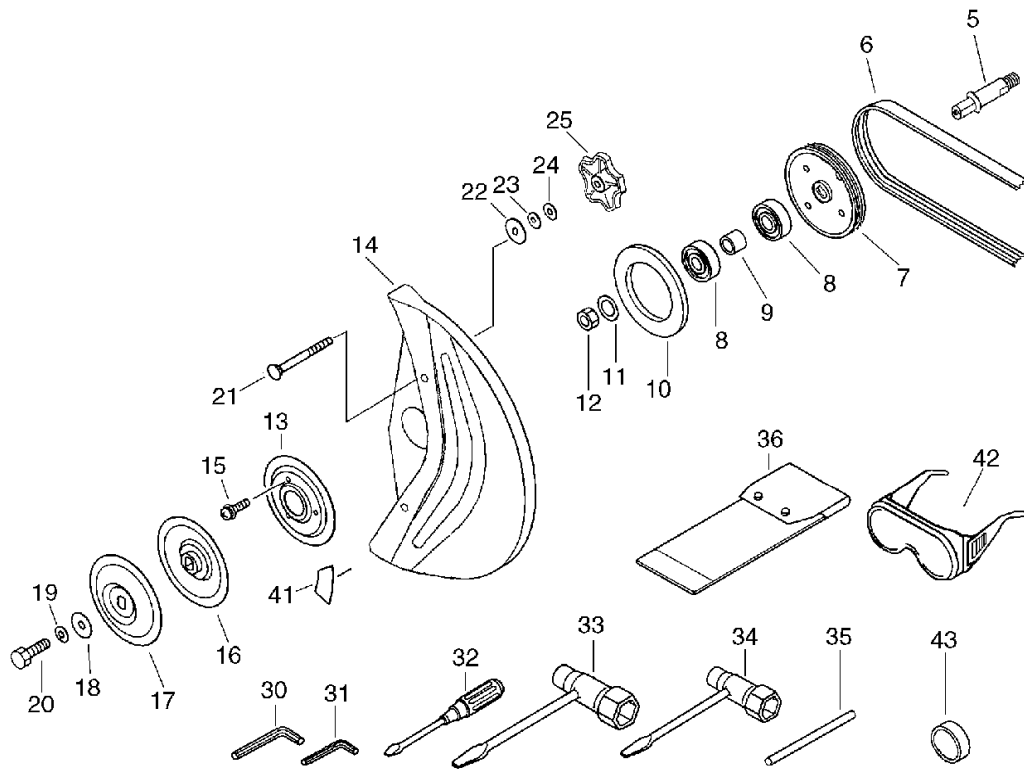
KEY	LV	PART NUMBER	Q'TY	DESCRIPTION	REMARKS	NOTE1	NOTE2
24		900605-00008	1	WASHER, SPRING 8	8		
25		V299-000210	1	KNOB,FASTENER			
30		895610-00130	1	L-WRENCH (4MM)			
31		895612-03430	1	L-WRENCH (3MM)			
32		895811-00130	1	DRIVER, SCREW 125			
33		895410-10630	1	WRENCH, W/S. DRIVER			
34		895410-00430	1	WRENCH, W/S. DRIVER			
35		897518-01131	1	LOCKING TOOL			
36		898510-39130	1	BAG, TOOL			
41		X505-001330	1	LABEL,CAUTION		Sus. by X505-001331	
42		P021-002861	1	GOGGLES			
43		611022-09160	1	COLLAR 20*22*4.5			

15. Cutter, Belt, Tools(SrNr 36001181 and after)



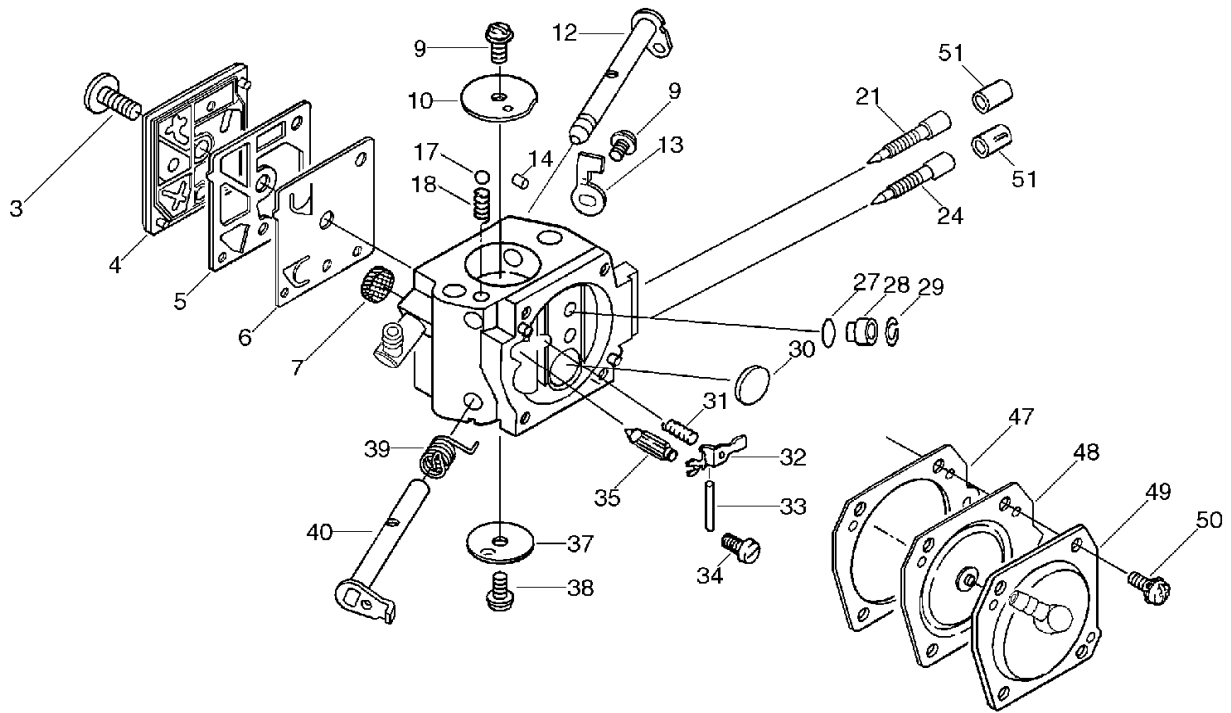
KEY	LV	PART NUMBER	Q'TY	DESCRIPTION	REMARKS	NOTE1	NOTE2
5		C364-000022	1	SHAFT,CUTTER			
6		V196-000090	1	BELT			
7		V176-000031	1	PULLEY			
8		900812-06202	2	BEARING, BALL 6202	6202DDU(LLU)		
9		606117-21860	1	COLLAR	15.1*19.1*8		
10		689024-05260	1	PLATE, CUSHION			
11		900602-00010	1	WASHER 10(10.5*21*2)	10.5*21*2		
12		900501-00010	1	NUT 10*1.25	10*P1.25		
13		C371-000000	1	PLATE,CUTTER COVER			
14		C370-000020	1	COVER,CUTTER			
15		900241-04010	3	SCREW 4*10	4*10		
16		611014-07062	1	FLANGE, CUTTER			
17		611015-07062	1	FLANGE, CUTTER			
18		611019-05260	1	WASHER			
19		900605-00010	1	WASHER, SPRING 10	10		
20		V206-000160	1	BOLT,10	M10*1.25*25		
21		V205-000300	1	BOLT,8	M8*1.25*50		
22		V306-000110	1	WASHER,CIRCULAR 8	8.6*28*T2		
23		900600-00008	1	WASHER 8	8		
24		900605-00008	1	WASHER, SPRING 8	8		
25		V299-000210	1	KNOB,FASTENER			
30		895610-00130	1	L-WRENCH (4MM)			
31		895612-03430	1	L-WRENCH (3MM)			
32		895811-00130	1	DRIVER, SCREW 125			
33		895410-10630	1	WRENCH, W/S. DRIVER			
34		895410-00430	1	WRENCH, W/S. DRIVER			

15. Cutter, Belt, Tools(SrNr 36001181 and after)



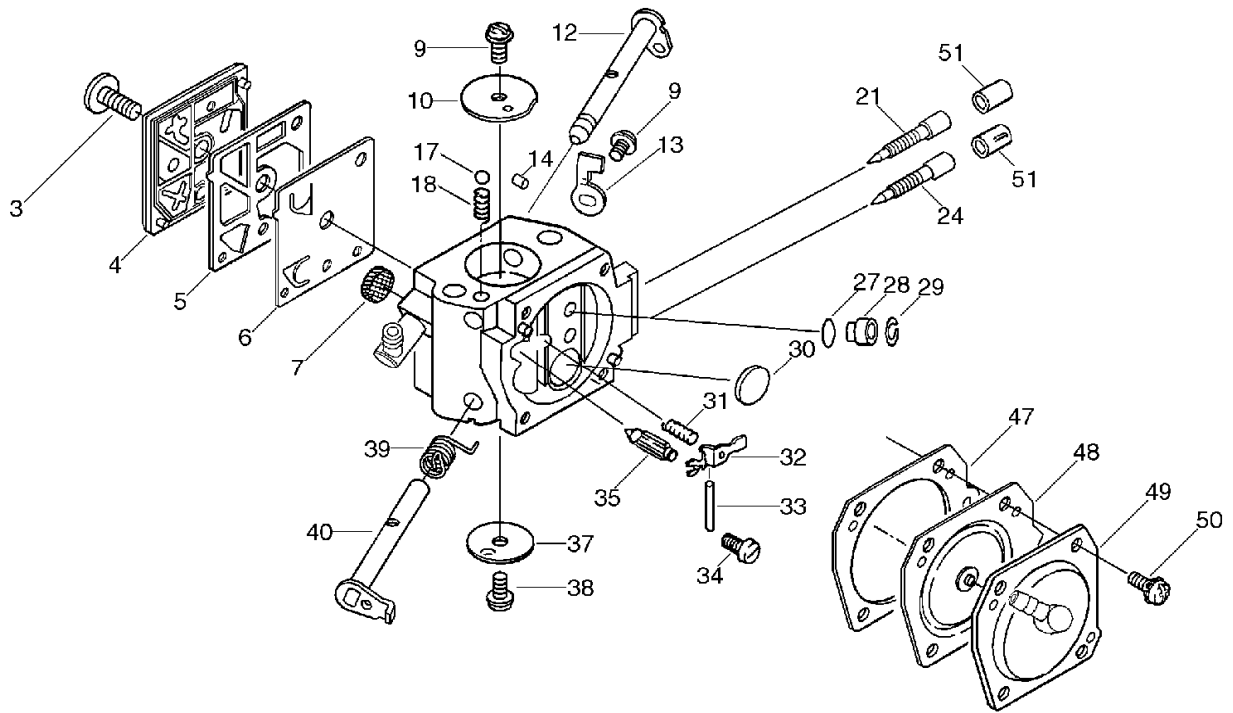
KEY	LV	PART NUMBER	Q'TY	DESCRIPTION	REMARKS	NOTE1	NOTE2
35		897518-01131	1	LOCKING TOOL			
36		898510-39130	1	BAG, TOOL			
41		X505-001331	1	LABEL, CAUTION			
42		P021-002861	1	GOGGLES			
43		611022-09160	1	COLLAR 20*22*4.5			

16. Carburetor



KEY	LV	PART NUMBER	Q'TY	DESCRIPTION	REMARKS	NOTE1	NOTE2
		A021-000730	1	CARBURETOR,DIAPHRAGM	HDA-216		
3	+	123110-03930	1	SCREW, PUMP COVER			
4	+	123124-19830	1	COVER, FUEL PUMP			
5	+	123125-12330	1	GASKET, FUEL PUMP			
6	+	123112-12330	1	DIAPHRAGM, FUEL PUMP			
7	+	123126-10631	1	SCREEN, INLET			
9	+	123114-38830	2	SCREW			
10	+	123132-32430	1	VALVE, CHOKE			
12	+	123131-19830	1	SHAFT, CHOKE			
13	+	123156-30830	1	STOP, THROTTLE			
14	+	123178-15030	1	PLUG, FRICTION			
17	+	123136-10630	1	BALL, CHOKE FRICTION			
18	+	123135-10630	1	SPRING, CHOKE FRICT.			
21	+	123120-32631	1	NEEDLE, HIGH SPEED			
24	+	123118-02261	1	NEEDLE			
27	+	123183-40630	1	O-RING			
28	+	123184-06060	1	JET #42	#42		
29	+	123169-10630	1	RING, RETAINING			
30	+	123146-10631	1	PLUG, WELCH			
31	+	123122-39830	1	SPRING, METER. LEVER			
32	+	123123-18330	1	LEVER, METERING			
33	+	123138-03930	1	PIN, METERING LEVER			
34	+	123139-03930	1	SCREW, M. LEVER PIN			
35	+	123137-19830	1	VALVE, INLET NEEDLE			
37	+	123132-16130	1	VALVE, CHOKE			
38	+	123114-05260	1	SCREW			

16. Carburetor



KEY	LV	PART NUMBER	Q'TY	DESCRIPTION	REMARKS	NOTE1	NOTE2
39	+	123113-16130	1	SPRING, THRT. RETURN			
40	+	123117-32630	1	SHAFT, THROTTLE			
47	+	123140-16131	1	GASKET, M. DIAPHRAGM			
48	+	123141-16131	1	DIAPHRAGM, METERING			
49	+	P003-000000	1	COVER, M. DIAPHRAGM			
50	+	123130-02960	4	SCREW			
51	+	P003-000010	2	LIMITER CAP			

Index

Patrs Number	Key No.	Patrs Number	Key No.	Patrs Number	Key No.
100011-32430	1 - 12	101578-38431	5 - 56	130305-25061	3 - 7
100011-32430	2 - 12	104915-08260	12 - 36	130305-25061	4 - 7
100012-32430	1 - 15	104915-08260	13 - 36	130305-25061	5 - 7
100012-32430	2 - 15	123110-03930	16 - 3	130313-06061	3 - 5
100142-30830	1 - 30	123112-12330	16 - 6	130313-06061	4 - 5
100142-30830	2 - 30	123113-16130	16 - 39	130313-06061	5 - 5
100143-19830	6 - 7	123114-05260	16 - 38	130322-05260	3 - 3
100143-19830	7 - 7	123114-38830	16 - 9	130322-05261	3 - 3
100212-19830	1 - 26	123117-32630	16 - 40	130322-05261	4 - 3
100212-19830	2 - 26	123118-02261	16 - 24	130322-05261	5 - 3
100212-32430	1 - 21	123120-32631	16 - 21	130435-07060	3 - 13
100212-32430	2 - 21	123122-39830	16 - 31	130435-07060	4 - 13
100215-02830	1 - 22	123123-18330	16 - 32	130435-07060	5 - 13
100215-02830	2 - 22	123124-19830	16 - 4	130712-06061	3 - 8
100242-32430	1 - 24	123125-12330	16 - 5	130712-06061	4 - 8
100242-32430	2 - 24	123126-10631	16 - 7	130712-06061	5 - 8
100251-32430	1 - 32	123130-02960	16 - 50	130821-06060	3 - 23
100251-32430	2 - 32	123131-19830	16 - 12	130821-06060	4 - 23
100905-32331	3 - 18	123132-16130	16 - 37	130821-06060	5 - 23
100905-32331	4 - 18	123132-32430	16 - 10	131004-37631	10 - 35
100905-32331	5 - 18	123135-10630	16 - 18	131004-37631	11 - 35
100915-32530	10 - 13	123136-10630	16 - 17	131004-37631	8 - 35
100915-32530	11 - 13	123137-19830	16 - 35	131004-37631	9 - 35
100915-32530	8 - 13	123138-03930	16 - 33	131050-19830	10 - 37
100915-32530	9 - 13	123139-03930	16 - 34	131050-19830	11 - 37
100915-33930	10 - 17	123140-16131	16 - 47	131050-19830	8 - 37
100915-33930	11 - 17	123141-16131	16 - 48	131050-19830	9 - 37
100915-33930	8 - 17	123146-10631	16 - 30	131051-19830	10 - 39
100915-33930	9 - 17	123156-30830	16 - 13	131051-19830	11 - 39
100917-32430	1 - 33	123169-10630	16 - 29	131051-19830	8 - 39
100917-32430	2 - 33	123178-15030	16 - 14	131051-19830	9 - 39
100918-19830	10 - 15	123183-40630	16 - 27	131205-19830	10 - 9
100918-19830	11 - 15	123184-06060	16 - 28	131205-19830	11 - 9
100918-19830	8 - 15	129013-30831	3 - 15	131205-19830	8 - 9
100918-19830	9 - 15	129013-30831	4 - 15	131205-19830	9 - 9
100921-32431	10 - 41	129013-30831	5 - 15	131205-19831	11 - 9
100921-32431	11 - 41	130010-20760	3 - 27	131300-56430	10 - 59
100921-32431	8 - 41	130010-20760	4 - 27	131300-56430	11 - 59
100921-32431	9 - 41	130010-20760	5 - 27	131300-56430	8 - 59
100922-32430	10 - 12	130110-19830	3 - 20	131300-56430	9 - 59
100922-32430	11 - 12	130110-19830	4 - 20	131312-32430	10 - 62
100922-32430	8 - 12	130110-19830	5 - 20	131312-32430	11 - 62
100922-32430	9 - 12	130111-00530	10 - 61	131312-32430	8 - 62
101010-32431	1 - 7	130111-00530	11 - 61	131312-32430	9 - 62
101010-32431	2 - 7	130111-00530	8 - 61	131328-40630	10 - 60
101521-32330	6 - 6	130111-00530	9 - 61	131328-40630	11 - 60
101521-32330	7 - 6	130305-07061	3 - 6	131328-40630	8 - 60
101578-38431	3 - 56	130305-07061	4 - 6	131328-40630	9 - 60
101578-38431	4 - 56	130305-07061	5 - 6	132010-30830	10 - 8

Index

Patrs Number	Key No.	Patrs Number	Key No.	Patrs Number	Key No.
132010-30830	11 - 8	175000-06061	13 - 17	178302-12330	8 - 34
132010-30830	8 - 8	175002-32431	12 - 19	178302-12330	9 - 34
132010-30830	9 - 8	175002-32431	13 - 19	178510-32330	3 - 29
132011-19830	8 - 7	175016-16130	12 - 21	178510-32330	4 - 29
132011-19831	10 - 7	175016-16130	13 - 21	178510-32330	5 - 29
132011-19831	11 - 7	175018-32430	12 - 20	178810-33331	3 - 30
132011-19831	9 - 7	175018-32430	13 - 20	178810-33331	4 - 30
132012-19830	8 - 6	175019-16130	12 - 22	178810-33331	5 - 30
132013-26630	10 - 10	175019-16130	13 - 22	305114-06060	10 - 48
132013-26630	11 - 10	175049-56030	12 - 35	305114-06060	11 - 48
132013-26630	8 - 10	175049-56030	13 - 35	305114-06060	8 - 48
132013-26630	9 - 10	177215-07060	6 - 35	305114-06060	9 - 48
132115-01461	10 - 5	177215-07060	7 - 35	305115-06060	10 - 53
132115-01461	11 - 5	177218-32631	6 - 11	305115-06060	8 - 53
132115-01461	3 - 38	177218-32631	7 - 11	305115-06060	9 - 53
132115-01461	4 - 38	177220-02834	6 - 38	305115-06061	11 - 53
132115-01461	5 - 38	177220-02834	7 - 38	351111-19830	10 - 25
132115-01461	8 - 5	177221-02830	6 - 39	351111-19830	11 - 25
132115-01461	9 - 5	177221-02830	7 - 39	351111-19830	8 - 25
145510-32431	3 - 49	177221-07060	6 - 37	351111-19830	9 - 25
145510-32431	4 - 49	177221-07060	7 - 37	351155-35430	10 - 19
145510-32431	5 - 49	177226-06060	6 - 36	351155-35430	11 - 19
145610-32430	3 - 50	177226-06060	7 - 36	351155-35430	8 - 19
145610-32430	4 - 50	177227-07060	6 - 42	351155-35430	9 - 19
145610-32430	5 - 50	177227-07060	7 - 42	351612-06060	10 - 49
145711-32430	3 - 51	177228-30830	6 - 41	351612-06060	8 - 49
145711-32430	4 - 51	177228-30830	7 - 41	351612-06060	9 - 49
145711-32430	5 - 51	177234-19830	6 - 9	351612-06061	11 - 49
156601-32631	6 - 26	177234-19831	6 - 9	351616-38130	10 - 46
156601-32631	7 - 26	177234-19832	6 - 9	351616-38130	11 - 46
156611-19830	6 - 22	177234-19832	7 - 9	351616-38130	8 - 46
156611-19830	7 - 22	178010-19830	8 - 23	351616-38130	9 - 46
156635-32530	3 - 42	178010-19830	9 - 23	351630-06060	10 - 50
156635-32530	4 - 42	178011-32630	5 - 31	351630-06060	11 - 50
156635-32530	5 - 42	178043-19830	10 - 22	351630-06060	8 - 50
156800-32631	6 - 5	178043-19830	11 - 22	351630-06060	9 - 50
156800-32631	7 - 5	178043-19830	8 - 22	433011-21860	1 - 23
159010-10230	6 - 25	178043-19830	9 - 22	433011-21860	2 - 23
159010-10230	7 - 25	178073-32430	8 - 21	433019-12330	12 - 25
162021-32530	3 - 35	178073-32430	9 - 21	433019-12330	13 - 25
162021-32530	4 - 35	178090-37930	10 - 20	433144-15130	6 - 47
162021-32530	5 - 35	178090-37930	11 - 20	433144-15130	7 - 47
163400-30830	3 - 33	178090-37930	8 - 20	436013-06061	1 - 28
163400-30830	4 - 33	178090-37930	9 - 20	436013-06061	2 - 28
163400-30830	5 - 33	178114-32630	3 - 32	436114-13930	1 - 27
163810-30130	3 - 41	178114-32630	4 - 32	436114-13930	2 - 27
163810-30130	4 - 41	178114-32630	5 - 32	437211-14730	3 - 39
163810-30130	5 - 41	178302-12330	10 - 34	437211-14730	4 - 39
175000-06061	12 - 17	178302-12330	11 - 34	437211-14730	5 - 39

Index

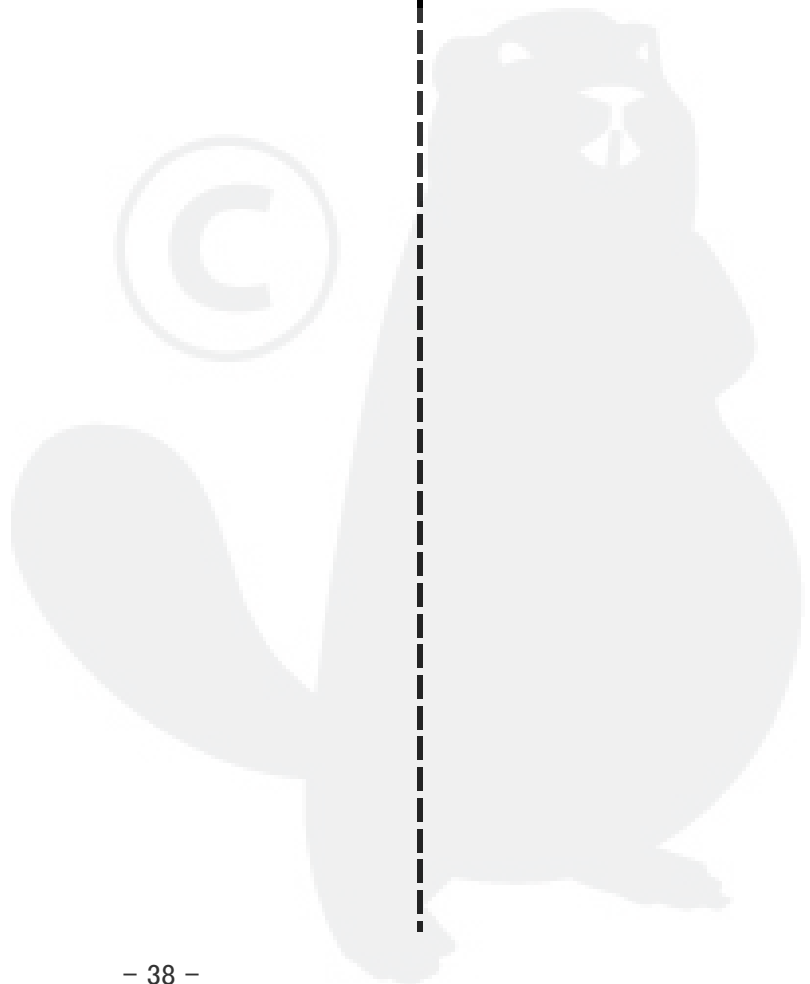
Patrs Number	Key No.	Patrs Number	Key No.	Patrs Number	Key No.
437217-20760	10 - 6	895612-03430	15 - 31	900238-04014	10 - 18
437217-20760	11 - 6	895811-00130	14 - 32	900238-04014	11 - 18
437217-20760	8 - 6	895811-00130	15 - 32	900238-04014	8 - 18
437217-20760	9 - 6	897518-01131	14 - 35	900238-04014	9 - 18
606117-21860	14 - 9	897518-01131	15 - 35	900238-05014	1 - 34
606117-21860	15 - 9	898510-39130	14 - 36	900238-05014	2 - 34
610320-03830	12 - 11	898510-39130	15 - 36	900238-05016	3 - 12
610320-03830	13 - 11	900105-04006	12 - 18	900238-05016	4 - 12
611014-07062	14 - 16	900105-04006	13 - 18	900238-05016	5 - 12
611014-07062	15 - 16	900162-04010	3 - 55	900238-05020	10 - 45
611015-07062	14 - 17	900162-04010	4 - 55	900238-05020	11 - 45
611015-07062	15 - 17	900162-04010	5 - 55	900238-05020	8 - 45
611019-05260	14 - 18	900162-04020	6 - 28	900238-05020	9 - 45
611019-05260	15 - 18	900162-04020	7 - 28	900238-05025	12 - 6
611020-05261	14 - 20	900162-05014	10 - 14	900238-05025	12 - 8
611022-09160	14 - 43	900162-05014	1 - 9	900238-05025	13 - 6
611022-09160	15 - 43	900162-05014	11 - 14	900238-05025	13 - 8
611111-20760	12 - 9	900162-05014	2 - 9	900238-05025	3 - 11
611111-20760	13 - 9	900162-05014	3 - 52	900238-05025	4 - 11
611117-06060	12 - 26	900162-05014	4 - 52	900238-05025	5 - 11
611117-06060	13 - 26	900162-05014	5 - 52	900238-05030	10 - 47
611216-05260	12 - 32	900162-05014	6 - 33	900238-05030	11 - 47
611216-05260	13 - 32	900162-05014	7 - 33	900238-05030	8 - 47
689013-05260	14 - 13	900162-05014	8 - 14	900238-05030	9 - 47
689024-05260	14 - 10	900162-05014	9 - 14	900238-05035	10 - 54
689024-05260	15 - 10	900162-05020	1 - 2	900238-05035	11 - 54
890057-07060	3 - 4	900162-05020	1 - 36	900238-05035	8 - 54
890057-07060	4 - 4	900162-05020	2 - 2	900238-05035	9 - 54
890057-07060	5 - 4	900162-05020	2 - 36	900241-04010	14 - 15
890118-07060	12 - 5	900162-05020	3 - 36	900241-04010	15 - 15
890118-07060	13 - 5	900162-05020	4 - 36	900242-04008	6 - 27
890118-17930	6 - 51	900162-05020	5 - 36	900242-04008	7 - 27
890118-17930	7 - 51	900162-05020	6 - 13	900246-03008	10 - 38
890157-30130	3 - 34	900162-05020	6 - 50	900246-03008	11 - 38
890157-30130	4 - 34	900162-05020	7 - 50	900246-03008	8 - 38
890157-30130	5 - 34	900162-05025	1 - 6	900246-03008	9 - 38
890157-39130	3 - 40	900162-05025	12 - 27	900252-04010	3 - 44
890157-39130	4 - 40	900162-05025	13 - 27	900252-04010	4 - 44
890157-39130	5 - 40	900162-05025	2 - 6	900252-04010	5 - 44
890185-03460	3 - 17	900162-05030	10 - 55	900252-05010	3 - 43
890185-03460	4 - 17	900162-05030	11 - 55	900252-05010	4 - 43
890185-03460	5 - 17	900162-05030	8 - 55	900252-05010	5 - 43
895410-00430	14 - 34	900162-05030	9 - 55	900252-05014	3 - 21
895410-00430	15 - 34	900162-05035	10 - 52	900252-05014	4 - 21
895410-10630	14 - 33	900162-05035	1 - 35	900252-05014	5 - 21
895410-10630	15 - 33	900162-05035	11 - 52	900252-05053	3 - 22
895610-00130	14 - 30	900162-05035	2 - 35	900252-05053	4 - 22
895610-00130	15 - 30	900162-05035	8 - 52	900252-05053	5 - 22
895612-03430	14 - 31	900162-05035	9 - 52	900253-04008	6 - 48

Index

Patrs Number	Key No.	Patrs Number	Key No.	Patrs Number	Key No.
900253-04008	7 - 48	A172-000130	7 - 31	C454-000000	4 - 31
900342-50025	10 - 24	A202-000040	1 - 8	P003-000000	16 - 49
900342-50025	11 - 24	A202-000040	2 - 8	P003-000010	16 - 51
900342-50025	8 - 24	A204-000030	3 - 26	P021-002790	1 - 11
900342-50025	9 - 24	A204-000030	4 - 26	P021-002790	2 - 11
900500-00008	6 - 8	A204-000030	5 - 26	P021-002861	14 - 42
900500-00008	7 - 8	A220-000030	3 - 37	P021-002861	15 - 42
900501-00010	14 - 12	A220-000030	4 - 37	P021-006651	12 - 31
900501-00010	15 - 12	A220-000030	5 - 37	P021-006651	13 - 31
900600-00008	14 - 23	A225-000130	3 - 9	P021-007480	10 - 58
900600-00008	15 - 23	A225-000130	4 - 9	P021-007480	11 - 58
900602-00010	14 - 11	A225-000130	5 - 9	P021-007480	8 - 58
900602-00010	15 - 11	A313-000460	3 - 54	P021-007480	9 - 58
900603-00005	6 - 12	A313-000460	4 - 54	P021-007490	1 - 20
900603-00005	6 - 34	A313-000460	5 - 54	P021-007490	2 - 20
900603-00005	7 - 12	A426-000010	6 - 24	P021-007500	6 - 32
900603-00005	7 - 34	A426-000010	7 - 24	P021-007500	7 - 32
900603-00008	12 - 12	A427-000011	6 - 23	V140-000010	3 - 19
900603-00008	13 - 12	A427-000012	6 - 23	V140-000010	4 - 19
900605-00008	14 - 24	A427-000012	7 - 23	V140-000010	5 - 19
900605-00008	15 - 24	A500-000061	6 - 49	V176-000031	14 - 7
900605-00010	14 - 19	A500-000061	7 - 49	V176-000031	15 - 7
900605-00010	15 - 19	A556-000310	12 - 16	V196-000090	14 - 6
900702-00028	12 - 13	A556-000310	13 - 16	V196-000090	15 - 6
900702-00028	13 - 13	C360-000010	12 - 37	V203-000070	12 - 34
900720-20007	3 - 16	C360-000011	12 - 37	V203-000070	13 - 34
900720-20007	4 - 16	C360-000012	12 - 37	V203-000150	6 - 13
900720-20007	5 - 16	C360-000012	13 - 37	V203-000150	7 - 13
900720-20029	10 - 36	C361-000010	12 - 7	V205-000300	14 - 21
900720-20029	11 - 36	C361-000010	13 - 7	V205-000300	15 - 21
900720-20029	8 - 36	C364-000021	14 - 5	V206-000160	14 - 20
900720-20029	9 - 36	C364-000022	14 - 5	V206-000160	15 - 20
900802-06001	12 - 14	C364-000022	15 - 5	V299-000210	14 - 25
900802-06001	13 - 14	C370-000020	14 - 14	V299-000210	15 - 25
900810-36202	1 - 25	C370-000020	15 - 14	V306-000110	14 - 22
900810-36202	2 - 25	C371-000000	14 - 13	V306-000110	15 - 22
900812-06202	14 - 8	C371-000000	15 - 13	V353-000200	6 - 10
900812-06202	15 - 8	C400-000240	10 - 44	V353-000201	6 - 10
A011-000292	1 - 31	C400-000240	11 - 44	V353-000201	7 - 10
A011-000292	2 - 31	C400-000240	8 - 44	V356-000260	12 - 15
A021-000730	16 -	C400-000240	9 - 44	V356-000260	13 - 15
A021-000730	3 - 28	C423-000130	10 - 51	V362-000020	3 - 25
A021-000730	4 - 28	C423-000130	11 - 51	V362-000020	4 - 25
A021-000730	5 - 28	C423-000130	8 - 51	V362-000020	5 - 25
A130-000172	1 - 5	C423-000130	9 - 51	V420-000690	3 - 24
A130-000172	2 - 5	C450-000280	10 - 23	V420-000691	3 - 24
A160-000600	1 - 3	C450-000281	10 - 23	V420-000691	4 - 24
A160-000601	2 - 3	C450-000281	11 - 23	V420-000691	5 - 24
A172-000130	6 - 31	C454-000000	3 - 31	V420-000700	1 - 4

Index

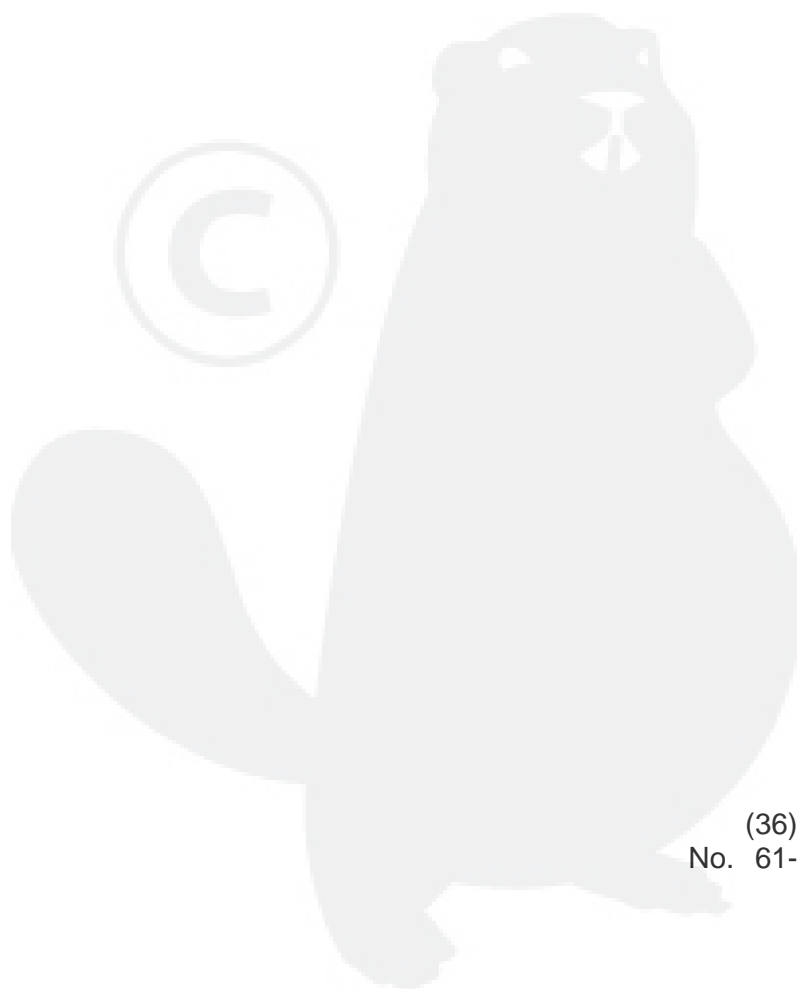
Patrs Number	Key No.	Patrs Number	Key No.	Patrs Number	Key No.
V420-000701	1 - 4				
V420-000701	2 - 4				
V455-000030	12 - 33				
V455-000030	13 - 33				
V580-000000	1 - 14				
V580-000000	2 - 14				
V610-000000	1 - 13				
V610-000000	2 - 13				
X502-000460	7 - 51				
X502-000540	13 - 5				
X503-005550	3 - 1				
X503-005550	4 - 1				
X503-005551	5 - 1				
X505-001330	14 - 41				
X505-001331	15 - 41				



YAMABIKO CORPORATION

7-2 SUEHIROCHO 1-CHOME, OHME, TOKYO 198-8760, JAPAN
PHONE: 81-428-32-6118. FAX: 81-428-32-6145.

ECHO[®]



(36)
No. 61-053