

CS-4920

Serial Number

C92340000001-C92340999999

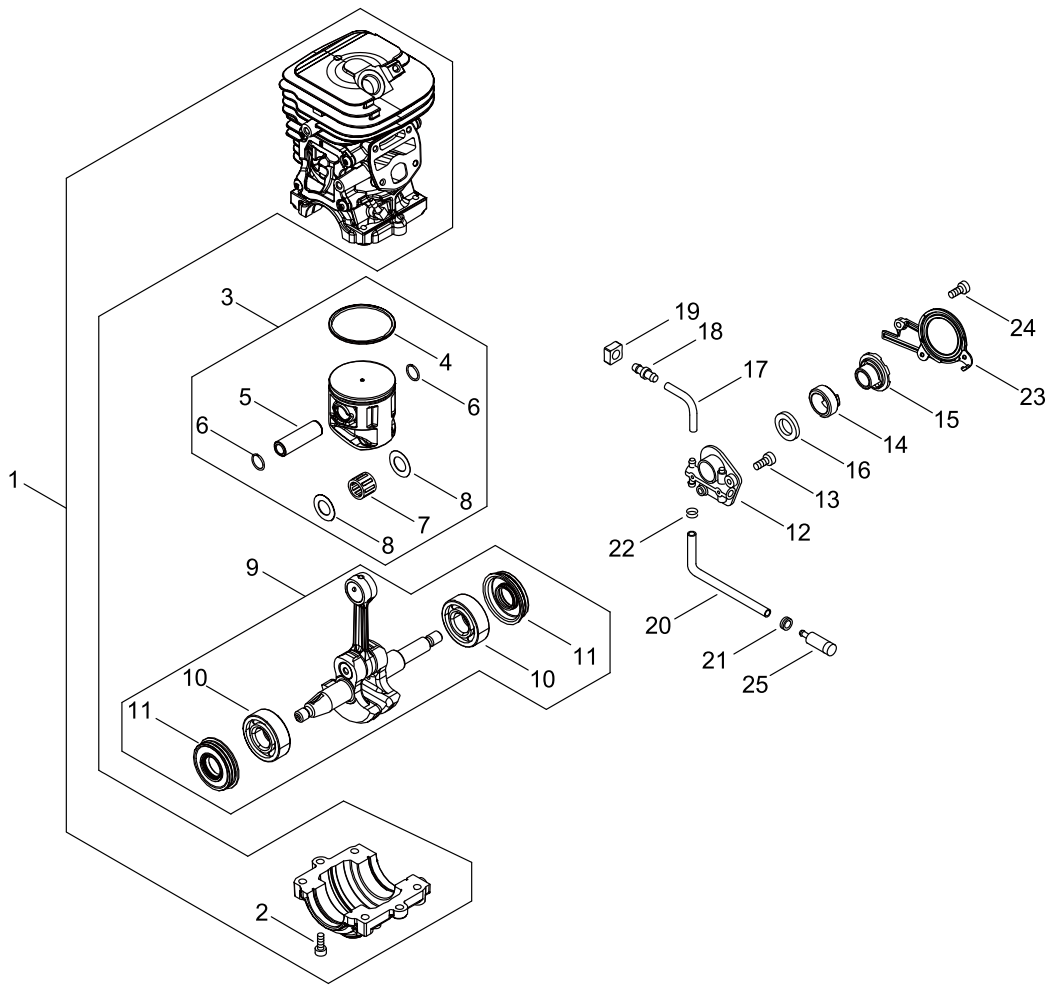
Last updated date

01/Oct/2022

TABLE OF CONTENTS

CYLINDER, PISTON, CRANKSHAFT	1
ENGINE COVER.....	3
MAGNETO.....	5
AIR CLEANER, CARBURETOR.....	7
CARBURETOR.....	9
MUFFLER.....	11
RECOIL STARTER.....	13
HANDLE.....	15
CHAIN BRAKE.....	17
ACCESSORIES	19
GUIDE BAR, CHAIN.....	21

CYLINDER, PISTON, CRANKSHAFT



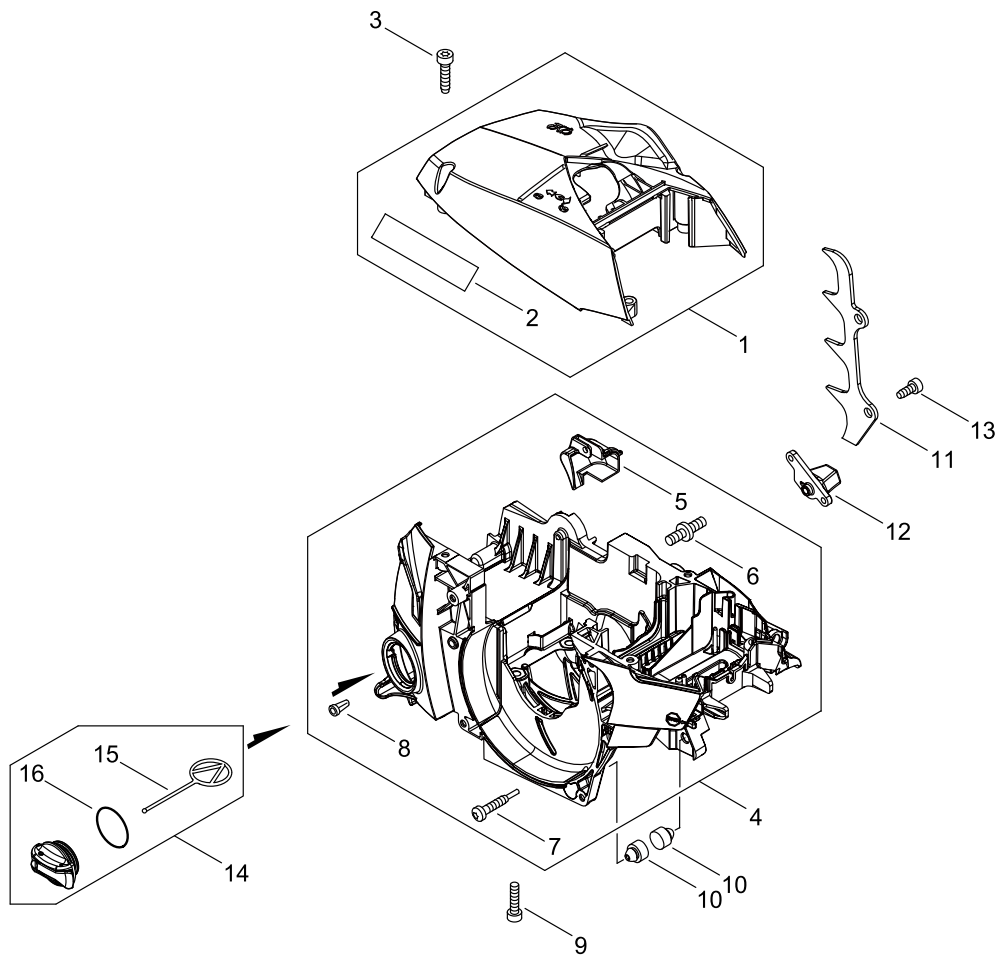
CYLINDER, PISTON, CRANKSHAFT

Key No.	LV (+)	Parts Number	Parts Description	Qty	Standard	Class
1		P100-012490	CYLINDER ASY	1		D
2	+	V805-000250	BOLT, TORX 5	2	TB-5*16 12.9	C
3		P100-012500	PISTON KIT	1		D
4	+	A101-000840	RING, PISTON	1	45*1.5*1.9	B
5	+	V609-000090	PIN,ENG 11	1	7*11*35.8	D
6	+	V580-000030	RING,END	2	D 1.0	C
7	+	V556-000040	BEARING,NEEDLE 11	1		C
8	+	V308-000040	WASHER,CIRCULAR 11	2	11.2*19.5*0.5	C
9		P100-012510	CRANKSHAFT ASY	1		
10	+	900810-36202	BEARING, BALL	2	6202	
11	+	V508-000110	SEAL,OIL 15	2		C
12		C022-000010	OILER,ASM AUTO	1		C
13		V805-000140	BOLT, TORX 5	2	TB-5*12 10.9	C
14		V652-000030	GEAR,WORM	1		B
15		V356-000390	COLLAR,10	1		C
16		V308-000030	WASHER,CIRCULAR 11	1	10.5*17.4*1.8	C
17		V471-005191	PIPE	1	3*6*49	C
18		V187-000010	NIPPLE	1		C
19		A203-000090	SEAL	1		C
20		V471-005201	PIPE	1	3*6*200	C
21		132115-01462	GROMMET	1		C
22		V490-001230	CLIP	1		C
23		C236-000160	COVER,OILER	1		D
24		V804-000000	BOLT, TORX 4	1	TT-4*12 DG 10.9	C
25		P100-001900	STRAINER, OIL	1		B

Class : Consumable class

A:Fast moving parts B:Semi-fast moving parts C:Slow moving parts D:Order only as needed

ENGINE COVER



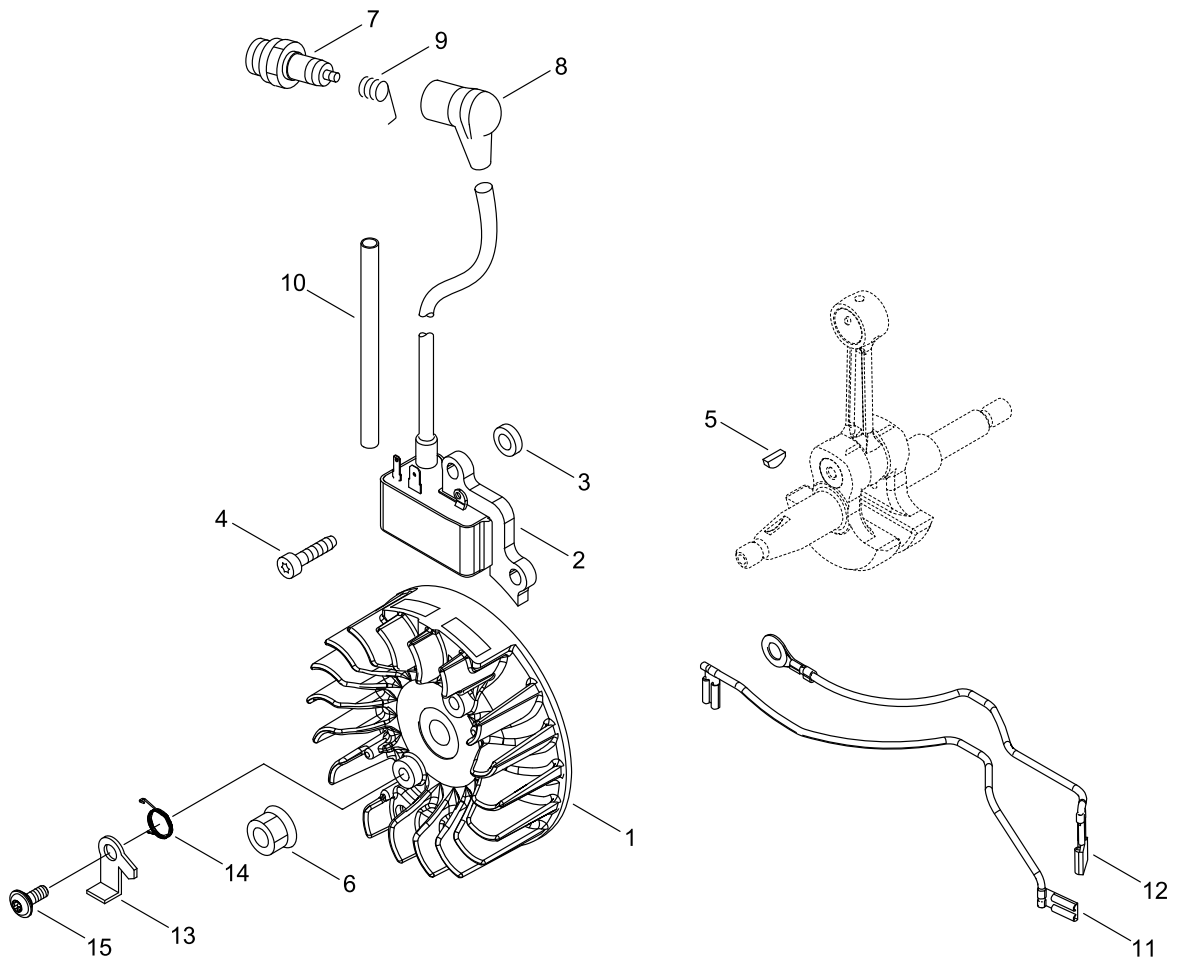
ENGINE COVER

Key No.	LV (+)	Parts Number	Parts Description	Qty	Standard	Class
1		A160-003360	COVER,CYLINDER	1	LABEL	C
2	+	X502-001060	LABEL,ECHO	1		D
3		V805-000010	BOLT, TORX 5	3	TT-5*20 DG 10.9	C
4		P100-012530	COVER ENGINE ASY	1		C
5	+	A161-000370	DUCT, AIR	1		C
6	+	V225-000400	BOLT,STUD 8	2		C
7	+	V203-002380	BOLT,5	1	STOPPER BOLT	C
8	+	436114-13930	VALVE, CHECK	1		B
9		V805-000270	BOLT, TORX 5	4	TB-5*40 12.9	C
10		V420-001790	CUSHION	2		B
11		C304-000330	SPIKED	1		C
12		C310-000150	CATCHER, CHAIN	1		B
13		V805-000010	BOLT, TORX 5	3	TT-5*20 DG 10.9	C
14		P100-004610	CAP,OIL ASY	1		C
15	+	A365-000050	CONNECTOR,CAP	1		B
16	+	900720-20029	O-RING	1	P-29	

Class : Consumable class

A:Fast moving parts B:Semi-fast moving parts C:Slow moving parts D:Order only as needed

MAGNETO



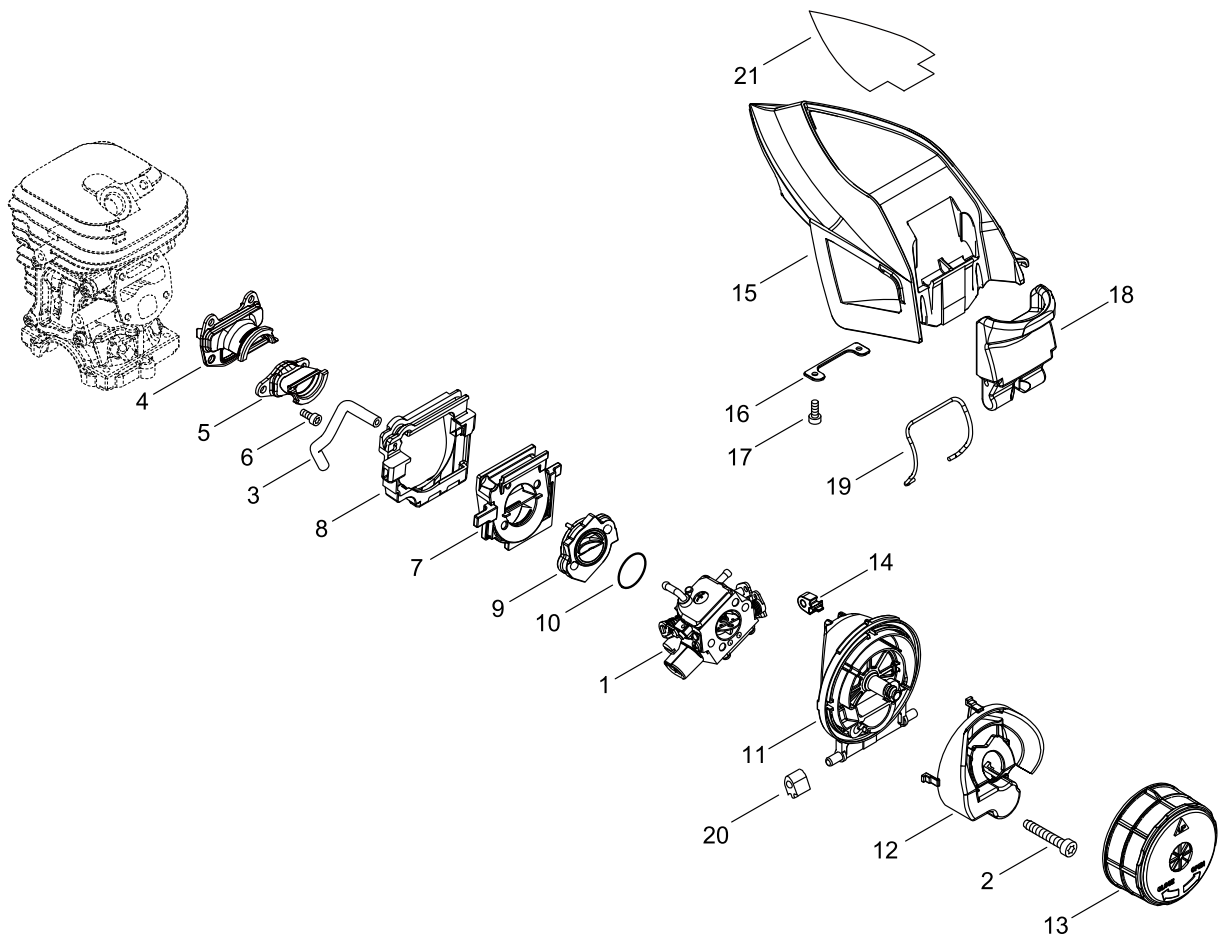
MAGNETO

Key No.	LV (+)	Parts Number	Parts Description	Qty	Standard	Class
1		A409-001330	ROTOR, MAGNETO	1	ID#*****	C
2		A411-002080	COIL, IGNITION	1	ID#A10119	C
3		150117-16430	SPACER	2		C
4		V805-000210	BOLT, TORX 5	2	TB-5*20 12.9	C
5		100142-12330	KEY, WOODRUFF	1		C
6		900515-00008	NUT, FLANGE	1	8	
7		A425-000000	SPARKPLUG	1	BPMR8Y	A
8		A427-000190	CAP, SPARK PLUG	1		C
9		A426-000010	TERMINAL, SPARKPLUG	1		C
10		V475-009180	TUBE	1	SSG-1 6*7.2*100	C
11		V485-002960	LEAD	1	L155	C
12		V485-002970	LEAD	1	L153	C
13		A514-000050	PAWL	2		C
14		177234-35430	SPRING, RETURN	2		B
15		V203-002250	BOLT,5	2		C

Class : Consumable class

A:Fast moving parts B:Semi-fast moving parts C:Slow moving parts D:Order only as needed

AIR CLEANER, CARBURETOR



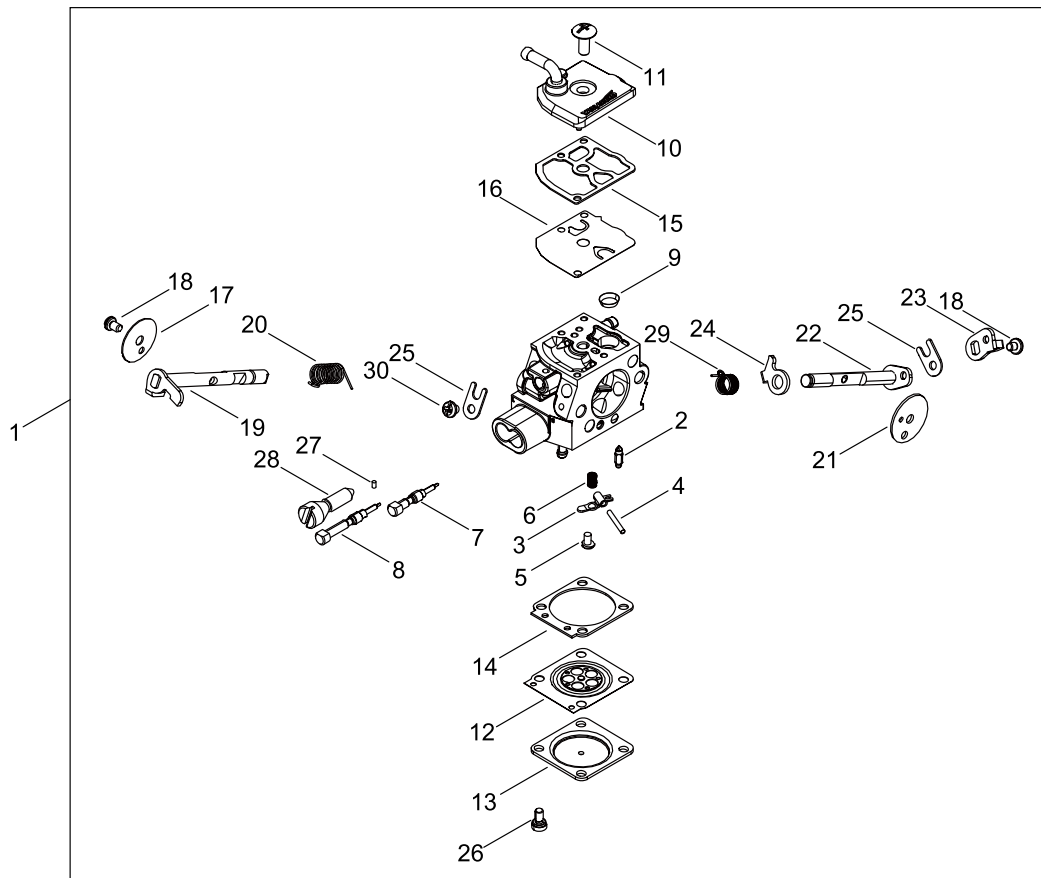
AIR CLEANER, CARBURETOR

Key No.	LV (+)	Parts Number	Parts Description	Qty	Standard	Class
1		A021-005560	CARBURETOR,DIAPHRAGM	1	GC-04	B
2		V805-000040	BOLT, TORX 5	2	TT-5*55 DG 10.9	C
3		V471-000761	PIPE	1	3*6*90	C
4		A202-000380	BELLOWS, INTAKE	1	AIR SIDE	C
5		A202-000320	BELLOWS, INTAKE	1	MIX SIDE	C
6		V804-000050	BOLT, TORX 4	4	TB-4*12 10.9	C
7		A200-001150	INSULATOR, INTAKE	1	CYLINDER SIDE	C
8		V420-005250	CUSHION	1	FOR IN-INSULATOR	B
9		A200-001160	INSULATOR, INTAKE	1	CARB SIDE	C
10		900724-00022	O-RING	1	S-22	
11		A225-000730	CASE,CLEANER	1		C
12		A161-000350	DUCT, AIR	1	BIG	C
13		A226-002150	ELEMENT, AIR FILTER	1		A
14		V420-005260	CUSHION	1	FOR CLEANERCASE	B
15		A232-001940	LID,CLEANER	1		C
16		V453-000260	SPRING,FLAT	1	T1.5 1/2H	C
17		V804-000000	BOLT, TORX 4	2	TT-4*12 DG 10.9	C
18		A235-000440	KNOB,CLEANER LID	1		C
19		V582-000280	RING,SNAP	1	O.D. 2	C
20		V420-005260	CUSHION	2	FOR CLEANERCASE	B
21		X503-016340	LABEL,MODEL	1	CS-4920+JP TECH	

Class : Consumable class

A:Fast moving parts B:Semi-fast moving parts C:Slow moving parts D:Order only as needed

CARBURETOR



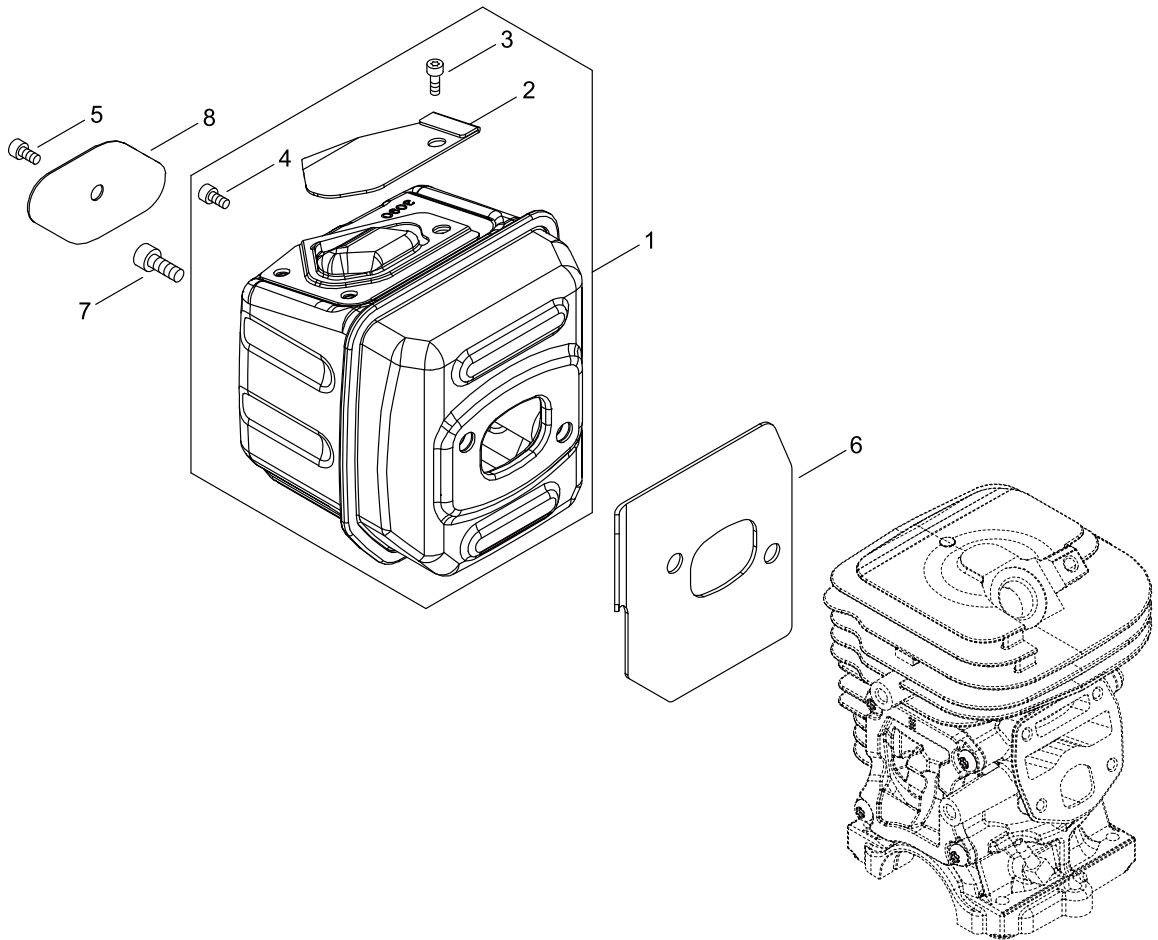
CARBURETOR

Key No.	LV (+)	Parts Number	Parts Description	Qty	Standard	Class
1		A021-005560	CARBURETOR,DIAPHRAGM	1	GC-04	B
2	+	P006-000130	VALVE, INLET NEEDLE	1		D
3	+	P006-000120	LEVER, METERING	1		
4	+	P006-000110	PIN, METERING LEVER	1		
5	+	P006-001490	SCREW	1		D
6	+	P006-001480	SPRING,METERING	1		D
7	+	P006-001510	NEEDLE	1		D
8	+	P006-001520	NEEDLE	1		D
9	+	P006-000200	SCREEN,INLET	1		
10	+	P006-001530	PUMP COVER ASY	1		D
11	+	P006-001440	SCREW	1		D
12	+	P006-001430	DIAPHRAGM, METERING	1		A
13	+	P006-001420	COVER,METERING	1		D
14	+	P006-001410	GASKET,METERING	1		A
15	+	P006-001400	GASKET, FUEL PUMP	1		A
16	+	P006-001390	DIAPHRAGM PUMP	1		A
17	+	A957-000000	VALVE,THROTTLE	1		
18	+	P006-001370	SCREW	2		D
19	+	P006-001550	SHAFT ASY,THROTTLE	1		D
20	+	P006-001350	SPRING, THRT. RETURN	1		D
21	+	P006-001340	VALVE, CHOKE	1		D
22	+	P006-001330	SHAFT, CHOKE ASY	1		D
23	+	P006-001320	LEVER,THROTTLE	1		D
24	+	P006-001310	LEVER	1		D
25	+	P006-001060	CLIP, THROTTLE SHAFT	2		D
26	+	P006-001010	SCREW	4	M3*6	D
27	+	P006-000760	PIN, METERING LEVER	1		D
28	+	P006-001300	SCREW	1		D
29	+	P006-001290	SPRING, CHOKE RETURN	1		D
30	+	P006-001260	SCREW	3		D

Class : Consumable class

A:Fast moving parts B:Semi-fast moving parts C:Slow moving parts D:Order only as needed

MUFFLER



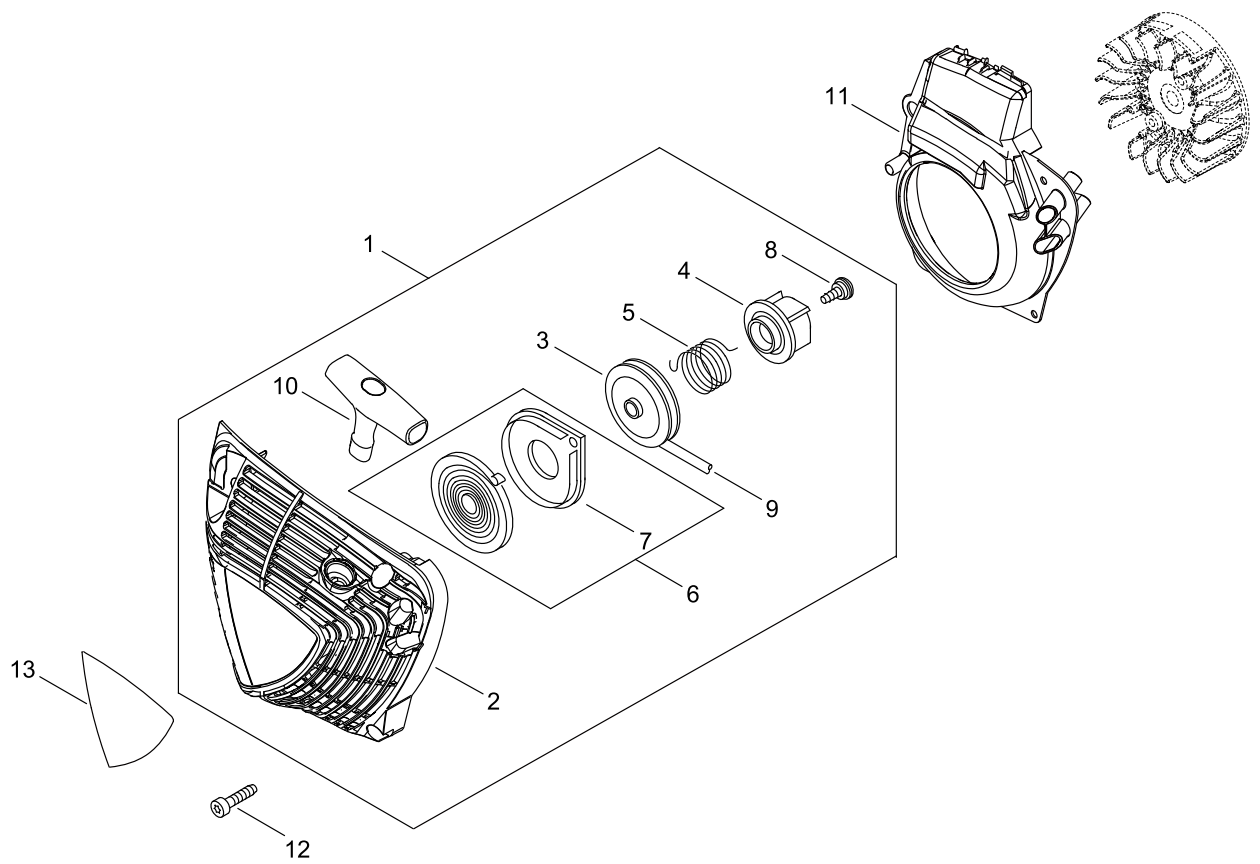
MUFFLER

Key No.	LV (+)	Parts Number	Parts Description	Qty	Standard	Class
1		P100-012520	MUFFLER ASY	1		C
2	+	A310-000600	SCREEN, ARRESTOR	1		B
3	+	V804-000030	BOLT, TORX 4	1	TB-4*8 10.9	C
4	+	V804-000030	BOLT, TORX 4	1	TB-4*8 10.9	C
5		V804-000030	BOLT, TORX 4	1	TB-4*8 10.9	C
6		V104-002340	GASKET,EXHAUST	1	T:1.0	A
7		V805-000250	BOLT, TORX 5	2	TB-5*16 12.9	C
8		145711-60631	STAY, MUFFLER	1		C

Class : Consumable class

A:Fast moving parts B:Semi-fast moving parts C:Slow moving parts D:Order only as needed

RECOIL STARTER



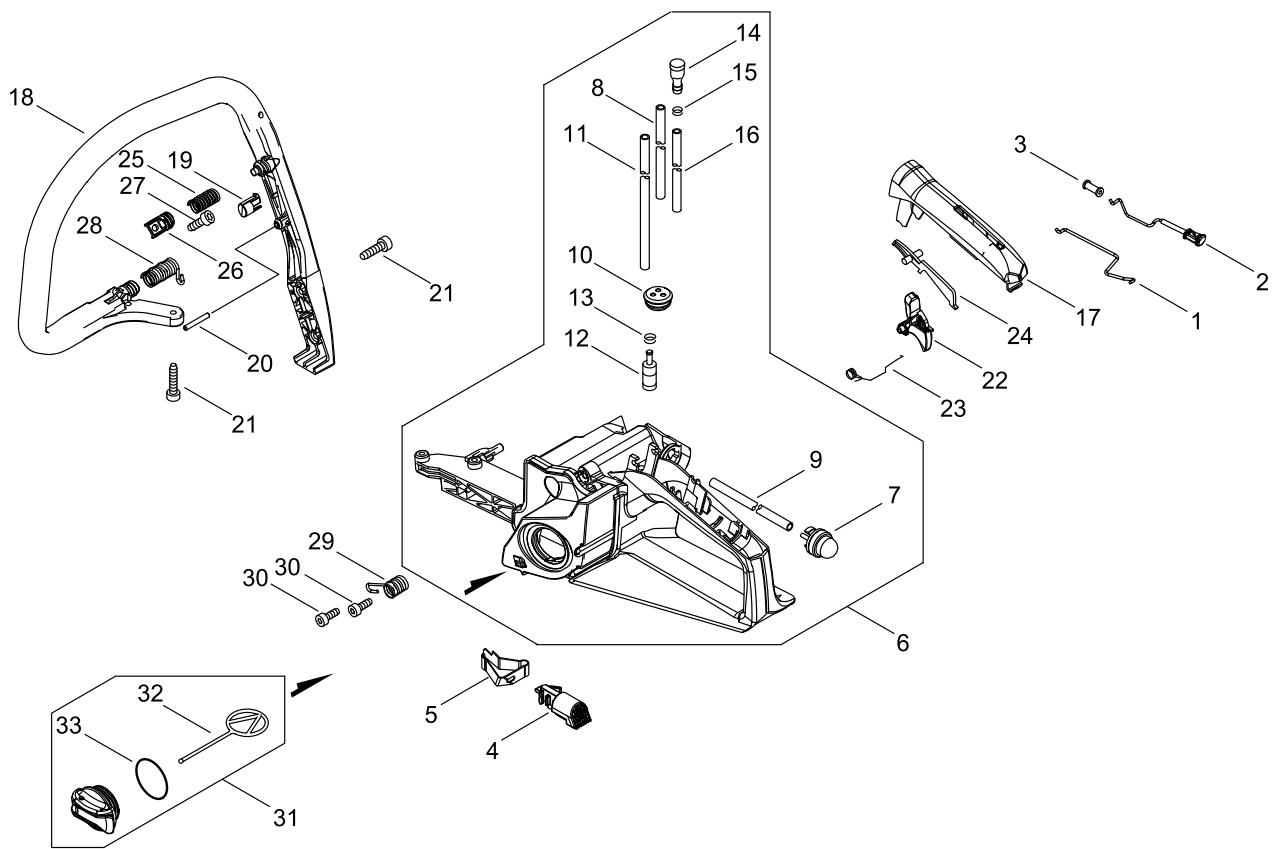
RECOIL STARTER

Key No.	LV (+)	Parts Number	Parts Description	Qty	Standard	Class
1		A051-003300	STARTER,RECOIL ASY	1	SI	B
2	+	P022-050400	STARTER CASE	1		
3	+	P022-050410	DRUM, STARTER	2		
4	+	P022-050430	PLATE, CAM	1		
5	+	P022-050420	SPRING,DAMPER	1		
6	+	P022-001330	SPRING KIT, REWIND	1		C
7	++	P022-033280	SPRING CASE	1		C
8	+	177236-61830	SCREW	1		C
9	+	P022-050440	ROPE, STARTER	1		
10	+	P022-050450	GRIP, STARTER	1		
11		A172-003291	COVER,FAN	1		C
12		V805-000010	BOLT, TORX 5	3	TT-5*20 DG 10.9	C
13		X503-016330	LABEL,MODEL	1	CS-4920	

Class : Consumable class

A:Fast moving parts B:Semi-fast moving parts C:Slow moving parts D:Order only as needed

HANDLE



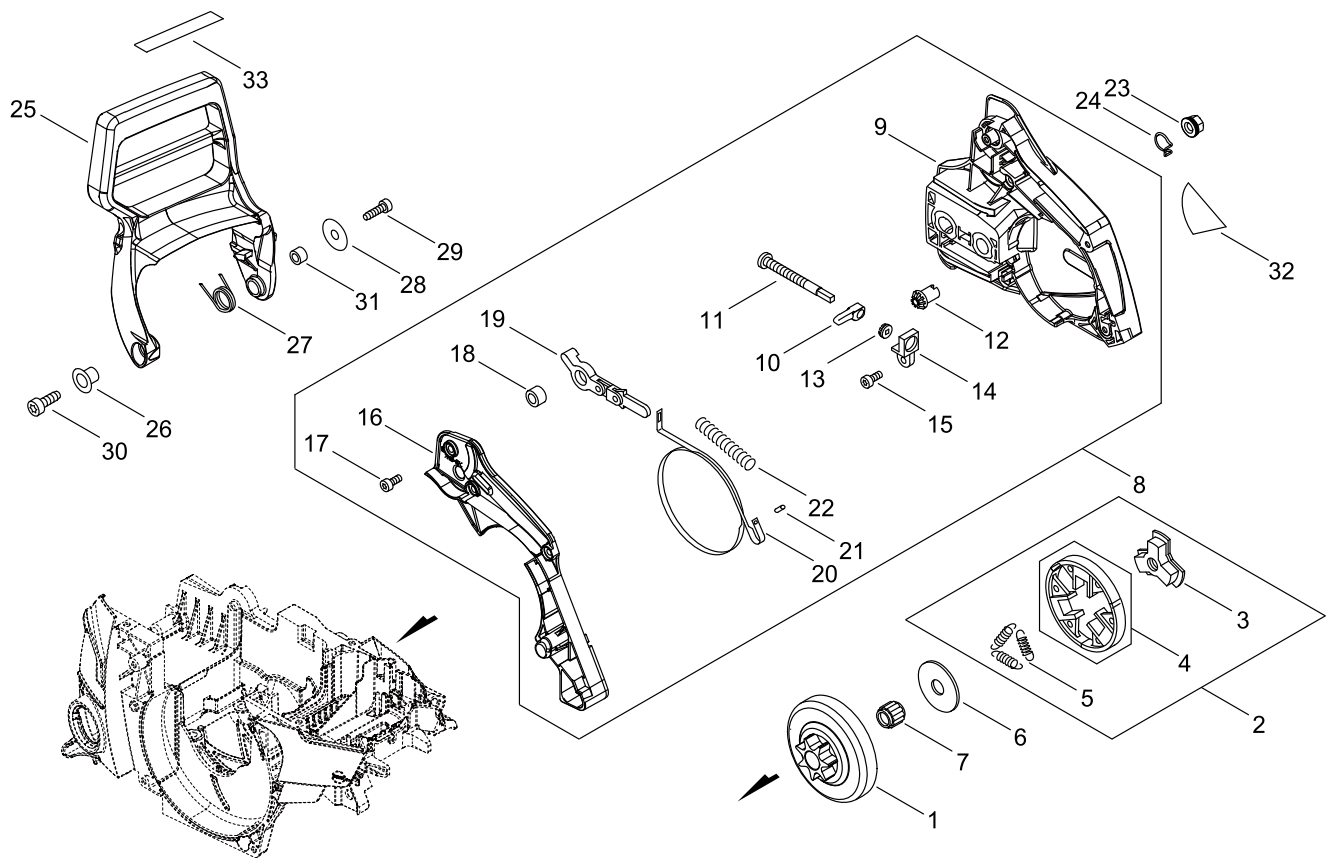
HANDLE

Key No.	LV (+)	Parts Number	Parts Description	Qty	Standard	Class
1		C454-000570	ROD, THROTTLE	1		C
2		A241-000370	KNOB, CHOKE	1		C
3		178810-14535	GROMMET	1		C
4		A444-000120	KNOB, SWITCH	1		C
5		V486-000540	TERMINAL, LEAD	1		C
6		P100-012540	HANDLE ASY, REAR	1		C
7	+	A035-000040	PUMP, FUEL	1	188-554-A	A
8	+	V471-001291	PIPE	1	2.4*5*75	C
9	+	V471-001241	PIPE	1	2.4*5*140	C
10	+	132115-55931	GROMMET, FUEL	1	3 φ5	C
11	+	V471-005181	PIPE	1	3*5*300	C
12	+	A369-000420	STRAINER, FUEL	1	ES-16499	A
13	+	V490-001240	CLIP	1		C
14	+	131300-56431	VENT ASSEMBLY, FUEL	1		B
15	+	V490-001230	CLIP	1		C
16	+	V471-005191	PIPE	1	3*6*49	C
17		C411-000230	LID, HANDLE	1		C
18		C400-001631	HANDLE, FRONT	1	GAI	C
19		V420-005270	CUSHION	1	FOR FRONT HANDLE	B
20		900330-40298	ROLLER	1	4*29.8	
21		V805-000010	BOLT, TORX 5	4	TT-5*20 DG 10.9	C
22		C450-001041	CONTROL, THROTTLE	1		C
23		V452-000260	SPRING, TORSION	1		B
24		178090-37930	LOCKOUT, T. CONTROL	1		C
25		V450-002200	SPRING, COMPRESSION	1	CENTER	B
26		V456-000240	HOLDER, SPRING	1		C
27		V805-000140	BOLT, TORX 5	1	TB-5*12 10.9	C
28		V450-002180	SPRING, COMPRESSION	1	FRONT	B
29		V450-002190	SPRING, COMPRESSION	1	REAR TYPE2-A	B
30		V805-000240	BOLT, TORX 5	2	TT-5*12 DG 10.9	C
31		P100-004640	CAP, FUEL ASY	1		
32	+	A365-000050	CONNECTOR, CAP	1		B
33	+	900720-20029	O-RING	1	P-29	

Class : Consumable class

A:Fast moving parts B:Semi-fast moving parts C:Slow moving parts D:Order only as needed

CHAIN BRAKE



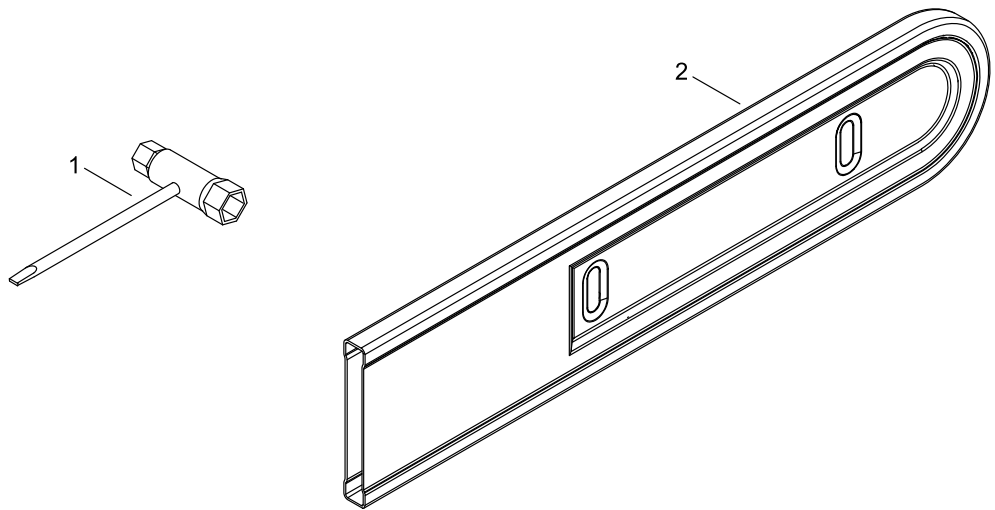
CHAIN BRAKE

Key No.	LV (+)	Parts Number	Parts Description	Qty	Standard	Class
1		A556-000481	DRUM, CLUTCH	1		B
2		A056-000840	CLUTCH ASY	1		B
3	+	A552-000470	HUB, CLUTCH	1		B
4	+	P021-007051	CLUTCH SHOE SET	1		B
5	+	V451-000500	SPRING,TENSION	3		B
6		175019-39430	PLATE, CLUTCH	1		C
7		V555-000170	BEARING,NEEDLE 10	1	8E-KV10*13*12.8	B
8		P100-004653	GUARD, SPROCKET ASY	1		C
9	+	C300-001162	GUARD, SPROCKET	1		C
10	+	C309-000070	TENSIONER, CHAIN	1		C
11	+	V203-000110	BOLT,5	1		C
12	+	V651-001040	GEAR,BEVEL	1		D
13	+	V651-001050	GEAR,BEVEL	1		D
14	+	V355-000140	COLLAR,8	1		C
15	+	V804-000010	BOLT, TORX 4	1	TT-4*16 DG 10.9	C
16	+	C345-000651	COVER,BRAKE	1		C
17	+	V804-000010	BOLT, TORX 4	4	TT-4*16 DG 10.9	C
18	+	433116-35430	SPACER 8	1	8*12*9	C
19	+	C334-000100	CONNECTOR, BRAKE	1		C
20	+	C328-000110	BAND, BRAKE	1		C
21	+	900330-30120	ROLLER	1	3*11.8	
22	+	V450-000070	SPRING,COMPRESSION	1		B
23		V265-000550	NUT,8	2		C
24		C649-000420	HOOK	2		D
25		C320-000531	LEVER, BRAKE	1		C
26		V356-000440	COLLAR,10	1	11.2*16.2*T0.6	C
27		V452-001281	SPRING,TORSION	1		B
28		177214-03930	WASHER	1		C
29		V804-000010	BOLT, TORX 4	1	TT-4*16 DG 10.9	C
30		V805-000010	BOLT, TORX 5	1	TT-5*20 DG 10.9	C
31		433116-35430	SPACER 8	1	8*12*9	C
32		X502-001050	LABEL,ECHO	1	D SIDE	D
33		X505-011830	LABEL,CAUTION	1	4SYMBOL+117DB	

Class : Consumable class

A:Fast moving parts B:Semi-fast moving parts C:Slow moving parts D:Order only as needed

ACCESSORIES





ACCESSORIES

Key No.	LV (+)	Parts Number	Parts Description	Qty	Standard	Class
1		X602-000080	TOOL,WRENCH	1	13*19 L180	D
2		X490-000490	SCABBARD,CHAIN	1		D

Class : Consumable class

A:Fast moving parts B:Semi-fast moving parts C:Slow moving parts D:Order only as needed

GUIDE BAR, CHAIN

Pitch ピッチ	Gauge ゲージ	Length 長さ	Guide Bar ガイドバー		Saw Chain ソーチェン		Hard Nose ハード ノーズ 	Sprocket Nose スプロケット ノーズ 
			Key №	Type 形式	Key №	Type 形式		
.325 8.26	0.050 1.27	33	A1	B33S95-56ML- EB	A2	95TXL-56E		●
.325 8.26	0.050 1.27	38	B1	B38S95-64ML- EB	B2	95TXL-64E		●
.325 8.26	0.050 1.27	45	C1	B45S95-72ML- EB	C2	95TXL-72E		●
.325 8.26	0.050 1.27	50	D1	Y50S20-80AL- ED	D2	95TXL-80E		●

GUIDE BAR, CHAIN

Key No.	LV (+)	Parts Number	Parts Description	Qty	Standard	Class
A1		X122-000540	BAR,GUIDE 30	1	B33S95-56ML- EB	A
A2		X242-000010	CHAIN,SAW	1	95TXL-56E	A
B1		X123-000760	BAR,GUIDE 35	1	B38S95-64ML- EB	A
B2		X243-000020	CHAIN,SAW	1	95TXL-64E	A
C1		X125-000510	BAR,GUIDE 45	1	B45S95-72ML- EB	A
C2		X245-000060	CHAIN,SAW	1	95TXL-72E	A
D1		X126-000350	BAR,GUIDE 50	1	Y50S20-80AL- ED	A
D2		X246-000140	CHAIN,SAW	1	95TXL-80E	

Class : Consumable class

A:Fast moving parts B:Semi-fast moving parts C:Slow moving parts D:Order only as needed

NUMERICAL PARTS INDEX

Part No	Part description	Page	Part No	Part description	Page	Part No	Part description	Page
100142-12330	KEY, WOODRUFF	6	A369-000420	STRAINER, FUEL	16	P006-001410	GASKET,METERING	10
131300-56431	VENT ASSEMBLY, FUEL	16	A409-001330	ROTOR, MAGNETO	6	P006-001420	COVER,METERING	10
132115-01462	GROMMET	2	A411-002080	COIL, IGNITION	6	P006-001430	DIAPHRAGM, METERING	10
132115-55931	GROMMET, FUEL	16	A425-000000	SPARKPLUG	6	P006-001440	SCREW	10
145711-60631	STAY, MUFFLER	12	A426-000010	TERMINAL,SPARKPLUG	6	P006-001480	SPRING,METERING	10
150117-16430	SPACER	6	A427-000190	CAP,SPARK PLUG	6	P006-001490	SCREW	10
175019-39430	PLATE, CLUTCH	18	A444-000120	KNOB, SWITCH	16	P006-001510	NEEDLE	10
177214-03930	WASHER	18	A514-000050	PAWL	6	P006-001520	NEEDLE	10
177234-35430	SPRING, RETURN	6	A552-000470	HUB, CLUTCH	18	P006-001530	PUMP COVER ASY	10
177236-61830	SCREW	14	A556-000481	DRUM, CLUTCH	18	P006-001550	SHAFT ASY,THROTTLE	10
178090-37930	LOCKOUT, T. CONTROL	16	A957-000000	VALVE,THROTTLE	10	P021-007051	CLUTCH SHOE SET	18
178810-14535	GROMMET	16	C022-000010	OILER,ASM AUTO	2	P022-001330	SPRING KIT, REWIND	14
433116-35430	SPACER 8	18	C236-000160	COVER,OILER	2	P022-033280	SPRING CASE	14
436114-13930	VALVE, CHECK	4	C300-001162	GUARD, SPROCKET	18	P022-050400	STARTER CASE	14
900330-30120	ROLLER	18	C304-000330	SPIKED	4	P022-050410	DRUM, STARTER	14
900330-40298	ROLLER	16	C309-000070	TENSIONER, CHAIN	18	P022-050420	SPRING,DAMPER	14
900515-00008	NUT, FLANGE	6	C310-000150	CATCHER, CHAIN	4	P022-050430	PLATE, CAM	14
900720-20029	O-RING	4	C320-000531	LEVER, BRAKE	18	P022-050440	ROPE, STARTER	14
900720-20029	O-RING	16	C328-000110	BAND, BRAKE	18	P022-050450	GRIP, STARTER	14
900724-00022	O-RING	8	C334-000100	CONNECTOR, BRAKE	18	P100-001900	STRAINER, OIL	2
900810-36202	BEARING, BALL	2	C345-000651	COVER,BRAKE	18	P100-004610	CAP,OIL ASY	4
A021-005560	CARBURETOR, DIAPHRAGM	8	C400-001631	HANDLE, FRONT	16	P100-004640	CAP,FUEL ASY	16
A021-005560	CARBURETOR, DIAPHRAGM	10	C411-000230	LID,HANDLE	16	P100-004653	GUARD, SPROCKET ASY	18
A021-005560	CARBURETOR, DIAPHRAGM	10	C450-001041	CONTROL, THROTTLE	16	P100-012490	CYLINDER ASY	2
A035-000040	PUMP, FUEL	16	C454-000570	ROD, THROTTLE	16	P100-012500	PISTON KIT	2
A051-003300	STARTER,RECOIL ASY	14	C649-000420	HOOK	18	P100-012510	CRANKSHAFT ASY	2
A056-000840	CLUTCH ASY	18	P006-000110	PIN, METERING LEVER	10	P100-012520	MUFFLER ASY	12
A101-000840	RING, PISTON	2	P006-000120	LEVER, METERING	10	P100-012530	COVER ENGINE ASY	4
A160-003360	COVER,CYLINDER	4	P006-000130	VALVE, INLET NEEDLE	10	P100-012540	HANDLE ASY, REAR	16
A161-000350	DUCT, AIR	8	P006-000200	SCREEN,INLET	10	V104-002340	GASKET,EXHAUST	12
A161-000370	DUCT, AIR	4	P006-000760	PIN, METERING LEVER	10	V187-000010	NIPPLE	2
A172-003291	COVER,FAN	14	P006-001010	SCREW	10	V203-000110	BOLT,5	18
A200-001150	INSULATOR, INTAKE	8	P006-001060	CLIP, THROTTLE SHAFT	10	V203-002250	BOLT,5	6
A200-001160	INSULATOR, INTAKE	8	P006-001260	SCREW	10	V203-002380	BOLT,5	4
A202-000320	BELLOWS, INTAKE	8	P006-001290	SPRING, CHOKE RETURN	10	V225-000400	BOLT,STUD 8	4
A202-000380	BELLOWS, INTAKE	8	P006-001300	SCREW	10	V265-000550	NUT,8	18
A203-000090	SEAL	2	P006-001310	LEVER	10	V308-000030	WASHER,CIRCULAR 11	2
A225-000730	CASE,CLEANER	8	P006-001320	LEVER,THROTTLE	10	V308-000040	WASHER,CIRCULAR 11	2
A226-002150	ELEMENT, AIR FILTER	8	P006-001330	SHAFT, CHOKE ASY	10	V355-000140	COLLAR,8	18
A232-001940	LID,CLEANER	8	P006-001340	VALVE, CHOKE	10	V356-000390	COLLAR,10	2
A235-000440	KNOB,CLEANER LID	8	P006-001350	SPRING, THRT. RETURN	10	V356-000440	COLLAR,10	18
A241-000370	KNOB, CHOKE	16	P006-001370	SCREW	10	V420-001790	CUSHION	4
A310-000600	SCREEN, ARRESTOR	12	P006-001390	DIAPHRAGM PUMP	10	V420-005250	CUSHION	8
A365-000050	CONNECTOR,CAP	4	P006-001400	GASKET, FUEL PUMP	10	V420-005260	CUSHION	8
A365-000050	CONNECTOR,CAP	16				V420-005270	CUSHION	16

NUMERICAL PARTS INDEX

Part No	Part description	Page	Part No	Part description	Page
V450-000070	SPRING,COMPRESSION	18	V805-000240	BOLT, TORX 5	16
V450-002180	SPRING,COMPRESSION	16	V805-000250	BOLT, TORX 5	2
V450-002190	SPRING,COMPRESSION	16	V805-000250	BOLT, TORX 5	12
V450-002200	SPRING,COMPRESSION	16	V805-000270	BOLT, TORX 5	4
V451-000500	SPRING,TENSION	18	X122-000540	BAR,GUIDE 30	22
V452-000260	SPRING,TORSION	16	X123-000760	BAR,GUIDE 35	22
V452-001281	SPRING,TORSION	18	X125-000510	BAR,GUIDE 45	22
V453-000260	SPRING,FLAT	8	X126-000350	BAR,GUIDE 50	22
V456-000240	HOLDER,SPRING	16	X242-000010	CHAIN,SAW	22
V471-000761	PIPE	8	X243-000020	CHAIN,SAW	22
V471-001241	PIPE	16	X245-000060	CHAIN,SAW	22
V471-001291	PIPE	16	X246-000140	CHAIN,SAW	22
V471-005181	PIPE	16	X490-000490	SCABBARD,CHAIN	20
V471-005191	PIPE	2	X502-001050	LABEL,ECHO	18
V471-005191	PIPE	16	X502-001060	LABEL,ECHO	4
V471-005201	PIPE	2	X503-016330	LABEL,MODEL	14
V475-009180	TUBE	6	X503-016340	LABEL,MODEL	8
V485-002960	LEAD	6	X505-011830	LABEL,CAUTION	18
V485-002970	LEAD	6	X602-000080	TOOL,WRENCH	20
V486-000540	TERMINAL,LEAD	16			
V490-001230	CLIP	2			
V490-001230	CLIP	16			
V490-001240	CLIP	16			
V508-000110	SEAL,OIL 15	2			
V555-000170	BEARING,NEEDLE 10	18			
V556-000040	BEARING,NEEDLE 11	2			
V580-000030	RING,END	2			
V582-000280	RING,SNAP	8			
V609-000090	PIN,ENG 11	2			
V651-001040	GEAR,BEVEL	18			
V651-001050	GEAR,BEVEL	18			
V652-000030	GEAR,WORM	2			
V804-000000	BOLT, TORX 4	2			
V804-000000	BOLT, TORX 4	8			
V804-000010	BOLT, TORX 4	18			
V804-000030	BOLT, TORX 4	12			
V804-000050	BOLT, TORX 4	8			
V805-000010	BOLT, TORX 5	4			
V805-000010	BOLT, TORX 5	14			
V805-000010	BOLT, TORX 5	16			
V805-000010	BOLT, TORX 5	18			
V805-000040	BOLT, TORX 5	8			
V805-000140	BOLT, TORX 5	2			
V805-000140	BOLT, TORX 5	16			
V805-000210	BOLT, TORX 5	6			