

601SX

Serial Number

38000001-38999999

Last updated date

24/Jan/2023

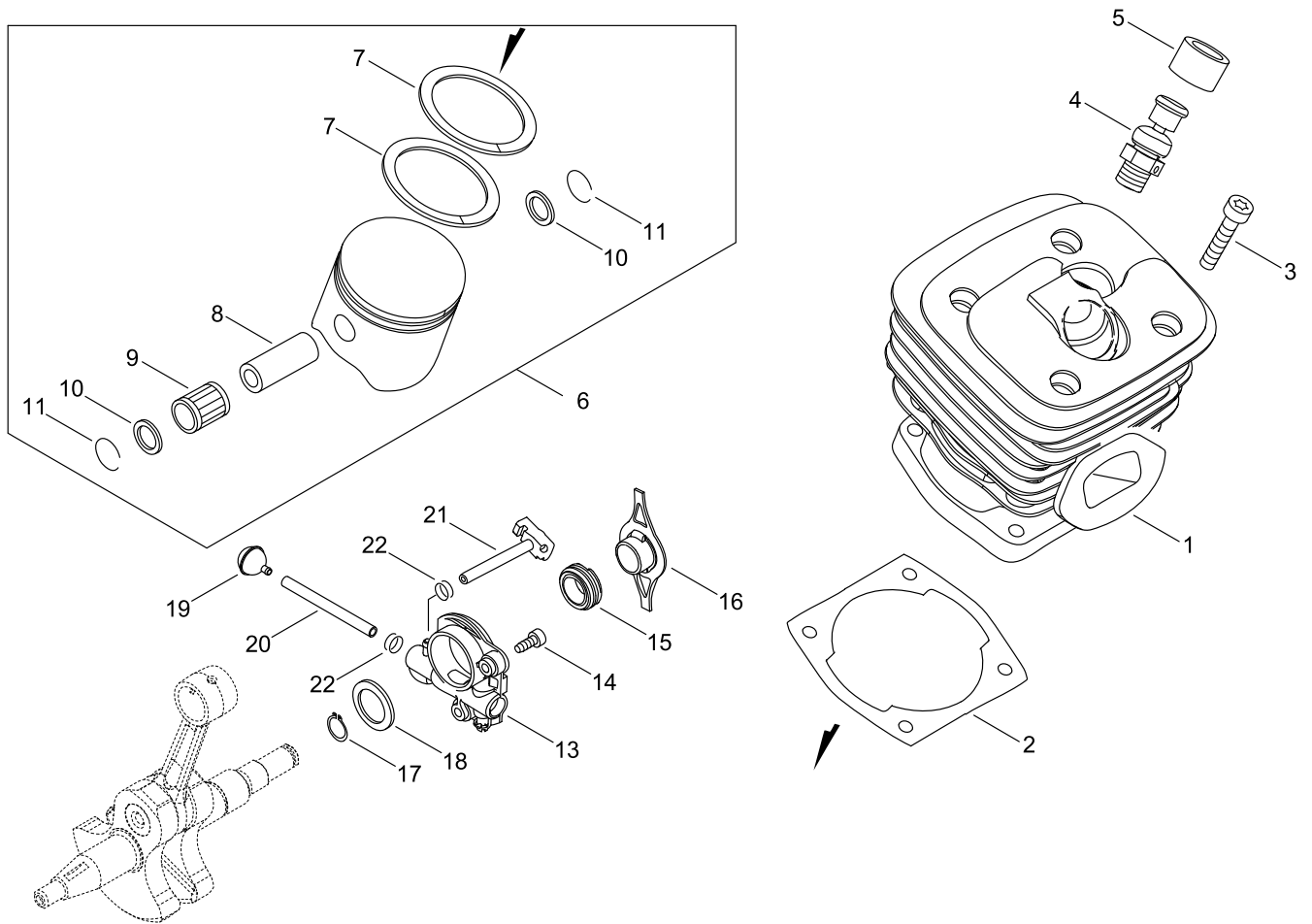


## TABLE OF CONTENTS

---

CYLINDER, PISTON, CRANKSHAFT .....	1
CRANKCASE .....	3
MAGNETO.....	5
AIR CLEANER, CARBURETOR.....	7
CARBURETOR.....	9
MUFFLER.....	11
RECOIL STARTER.....	13
HANDLE.....	15
CHAIN BRAKE.....	17
ACCESSORIES .....	19
OILER.....	21
GUIDE BAR, CHAIN.....	23
OPTION .....	25

# CYLINDER, PISTON, CRANKSHAFT



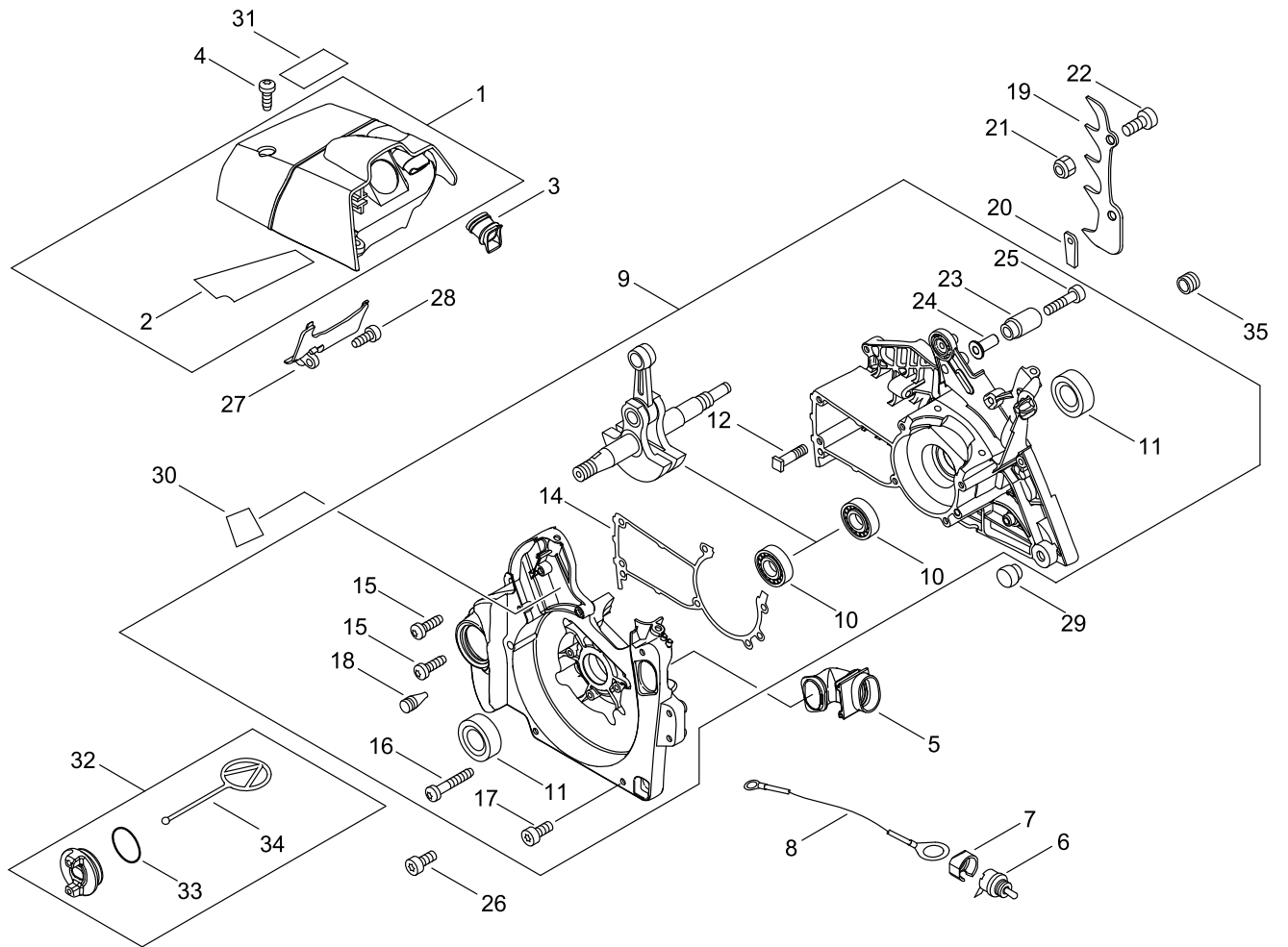
## CYLINDER, PISTON, CRANKSHAFT

Key No.	LV (+)	Parts Number	Parts Description	Qty	Standard	Class
1		A130-002420	CYLINDER	1		D
2		V100-000270	GASKET,CYL	1		B
3		V805-000220	BOLT, TORX 5	4	TB-5*25 12.9	C
4		A014-000110	RELEASE ASY., COMP.	1		B
5		V141-000090	GROMMET,PLUG	1		B
6		P100-008850	PISTON KIT	1		C
7	+	A101-000810	RING, PISTON	2	Φ45*1.5*1.7	B
8	+	V609-000080	PIN,ENG 11	1	7*11*37.6HL	D
9	+	V556-000050	BEARING,NEEDLE 11	1	KBK11*15*15.8*3	C
10	+	V308-000040	WASHER,CIRCULAR 11	2	11.2*19.5*0.5	C
11	+	V580-000120	RING,END	2		C
13		C022-000053	AUTO-OILER ASSEMBLY	1	ZP02A	C
14		V804-000000	BOLT, TORX 4	2	TT-4*12 DG 10.9	C
15		V652-000050	GEAR,WORM	1		B
16		V358-000090	COLLAR,14	1		C
17		900701-00015	RETAINING RING	1	CS-15	
18		V311-000090	WASHER,CIRCULAR 16-1	1	15.5*22.5*0.5	C
19		436205-14730	STRAINER, OIL	1		B
20		437210-30831	PIPE	1	3*6*210	C
21		V470-000831	PIPE	1		C
22		V490-001240	CLIP	2		C

Class : Consumable class

A:Fast moving parts B:Semi-fast moving parts C:Slow moving parts D:Order only as needed

# CRANKCASE



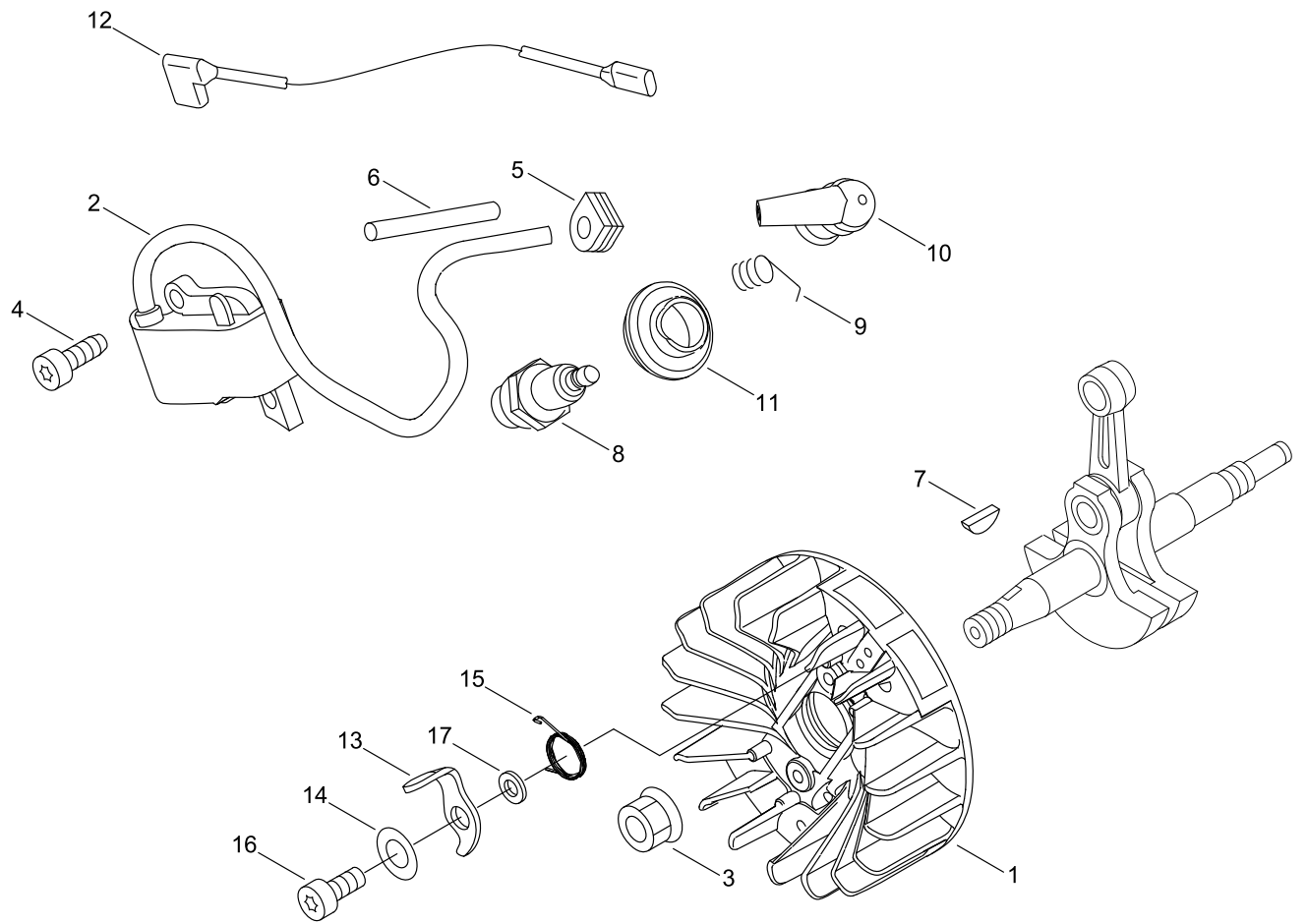
## CRANKCASE

Key No.	LV (+)	Parts Number	Parts Description	Qty	Standard	Class
1		P100-002900	CYLINDER COVER ASY	1		
2	+	V341-000140	WASHER,SQUARE	1	75*32*0.15	C
3		A239-000070	PIPE, INTAKE	1		C
4		V805-000000	BOLT, TORX 5	3	TT-5*16 DG 10.9	C
5		A239-000060	PIPE, INTAKE	1		C
6		A440-001190	SWITCH, ON OFF	1		C
7		A472-000091	CASE,SWITCH	1		C
8		V485-001101	LEAD	1	L:170/LA105	C
9		P200-001420	CRANKCASE ASY	1		D
10	+	94036-46202	BEARING, BALL	2	6202	
11	+	V508-000100	SEAL,OIL 15	2	ISCD 15*25*7	C
12	+	433011-19831	STUD, GUIDE BAR	2		C
14	+	V102-000060	GASKET,CRANKCASE	1	T0.4	B
15	+	V805-000010	BOLT, TORX 5	2	TT-5*20 DG 10.9	C
16	+	V805-000020	BOLT, TORX 5	4	TT-5*35 DG 10.9	C
17	+	V805-000160	BOLT, TORX 5	4	TB-5*20 10.9	C
18	+	436114-13930	VALVE, CHECK	1		B
23	+	C310-000030	CATCHER,CHAIN	1		B
24	+	V354-000650	COLLAR,6	1		C
25	+	V856-000010	BOLT,TORX 6	1	12.9	C
19		C304-000290	SPIKED	1		C
20		V376-001890	SPACER	1		C
21		900560-00005	NUT, LOCK	1	5	
22		V805-000250	BOLT, TORX 5	2	TB-5*16 12.9	C
26		V805-000170	BOLT, TORX 5	1	TB-5*25 10.9	C
27		E106-000040	GUIDE,AIR	1		C
28		V805-000000	BOLT, TORX 5	1	TT-5*16 DG 10.9	C
29		V420-003800	CUSHION	2		B
30		V376-001780	SPACER	1		C
31		890345-39231	LABEL,CAUTION	1		D
32		P100-004881	CAP,OIL ASY	1		C
33	+	900720-20029	O-RING	1	P-29	
34	+	A365-000050	CONNECTOR,CAP	1		B
35		132115-01462	GROMMET	1		C

Class : Consumable class

A:Fast moving parts B:Semi-fast moving parts C:Slow moving parts D:Order only as needed

# MAGNETO





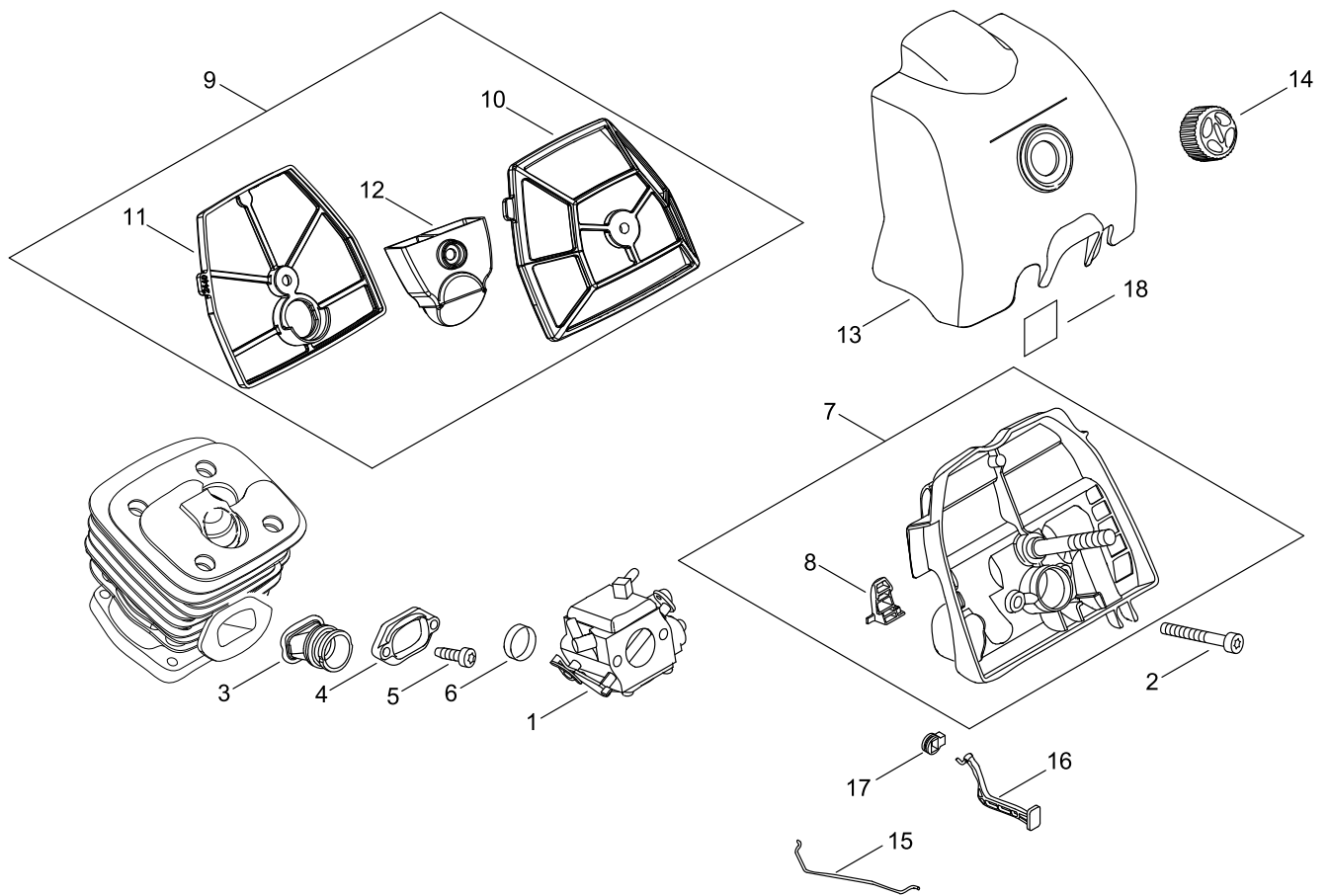
## MAGNETO

Key No.	LV (+)	Parts Number	Parts Description	Qty	Standard	Class
1		A409-000360	ROTOR, MAGNETO	1		C
2		P100-008870	COIL, IGNITION	1		C
3		900515-00008	NUT, FLANGE	1	8	
4		V805-000000	BOLT, TORX 5	2	TT-5*16 DG 10.9	C
5		156110-04920	BUSHING	1		C
6		V475-004130	TUBE	1		C
7		100142-30830	KEY, WOODRUFF	1		C
8		A425-000000	SPARKPLUG	1	BPMR8Y	A
9		A426-000010	TERMINAL, SPARKPLUG	1		C
10		A427-000013	CAP, SPARK PLUG	1		C
11		A429-000040	COVER, CAP	1		C
12		V485-001091	LEAD	1	AVX0.75F	C
13		177218-19830	PAWL, STARTER	2		C
14		900603-00005	WASHER	2	5	
15		177234-35430	SPRING, RETURN	2		B
16		V835-000000	BOLT, TORX 5	2		C
17		177247-04630	SPACER, RATCHET	2	5.2*8*2.1	C

Class : Consumable class

A:Fast moving parts B:Semi-fast moving parts C:Slow moving parts D:Order only as needed

# AIR CLEANER, CARBURETOR



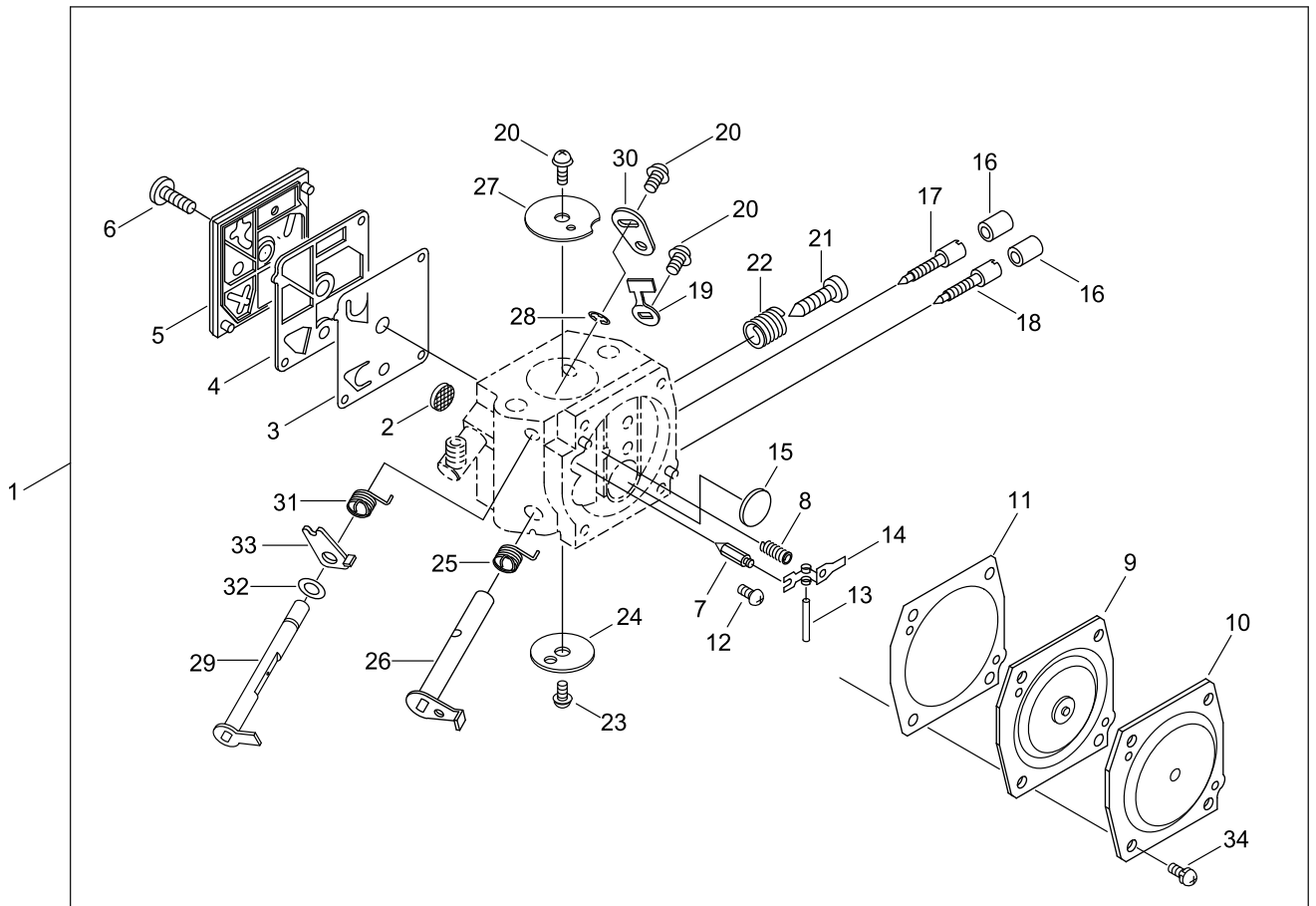
## AIR CLEANER, CARBURETOR

Key No.	LV (+)	Parts Number	Parts Description	Qty	Standard	Class
1		A021-005220	CARBURETOR,DIAPHRAGM	1	HDA-346	B
2		V805-000080	BOLT, TORX 5	2	TB-5*50 10.9	C
3		A202-000081	BELLOWS, INTAKE	1		C
4		A206-000010	HOLDER, BELLOWS	1		C
5		V805-000000	BOLT, TORX 5	2	TT-5*16 DG 10.9	C
6		V360-000060	COLLAR,18	1		C
7		P021-045111	CASE,CLEANER	1		
8	+	A219-000000	SHUTTER, AIR	1		C
9		P100-010060	AIR FILTER SET	1		
10	+	A226-002420	ELEMENT, AIR FILTER	1	安積濾紙2180K	A
11	+	A226-002430	ELEMENT, AIR FILTER	1	安積濾紙2180K	A
12	+	A244-000080	PLATE, PREVENT	1		C
13		A232-000512	LID,CLEANER	1		C
14		A235-000201	KNOB,CLEANER LID	1		C
15		C454-000170	ROD, THROTTLE	1		C
16		A241-000191	KNOB,CHOKE	1		C
17		V130-000030	GROMMET,CHOKE	1		C
18		890157-39131	LABEL, SWITCH	1		D

Class : Consumable class

A:Fast moving parts B:Semi-fast moving parts C:Slow moving parts D:Order only as needed

# CARBURETOR



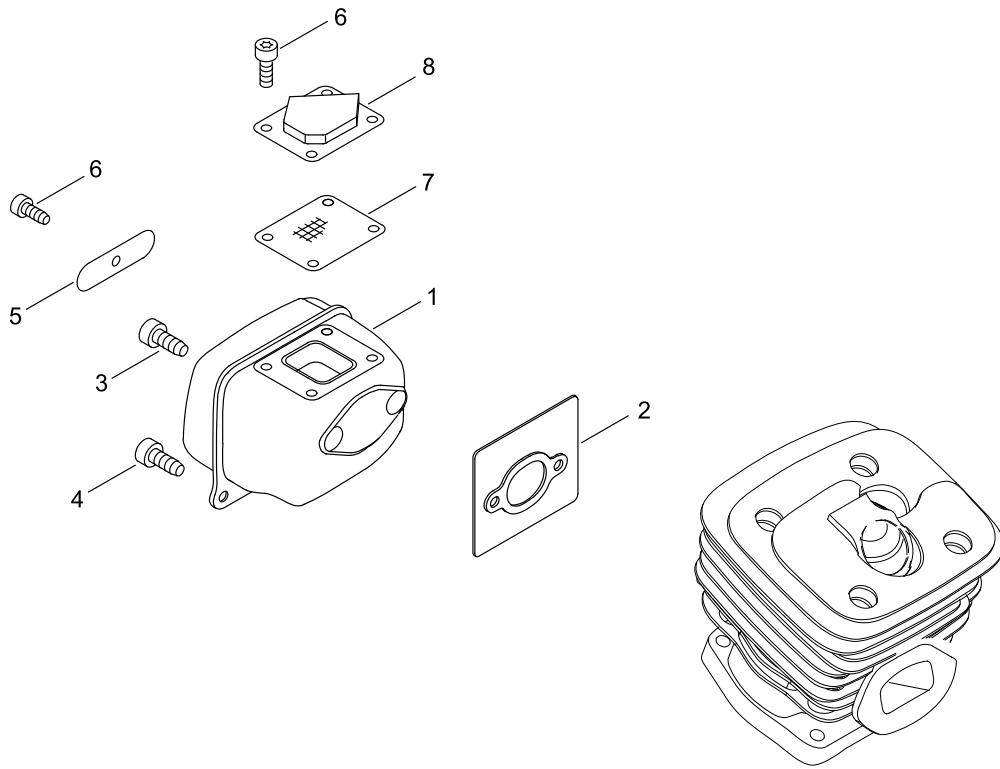
## CARBURETOR

Key No.	LV (+)	Parts Number	Parts Description	Qty	Standard	Class
1		A021-005220	CARBURETOR,DIAPHRAGM	1	HDA-346	B
2	+	123126-10631	SCREEN, INLET	1		B
3	+	123112-12330	DIAPHRAGM, FUEL PUMP	1		A
4	+	123125-12330	GASKET, FUEL PUMP	1		A
5	+	123124-19830	COVER, FUEL PUMP	1		D
6	+	123110-16130	SCREW, PUMP COVER	1		D
7	+	123137-19830	VALVE, INLET NEEDLE	1		D
8	+	123122-32630	SPRING, METER. LEVER	1		D
9	+	P003-004920	DIAPHRAGM ASSY	1	95-649	A
10	+	123142-17330	COVER, M. DIAPHRAGM	1		D
11	+	123140-16130	GASKET, M. DIAPHRAGM	1		A
12	+	123139-03930	SCREW, M. LEVER PIN	1		D
13	+	123138-03930	PIN, METERING LEVER	1		D
14	+	123123-18330	LEVER, METERING	1		D
15	+	123146-10631	PLUG, WELCH	1		C
16	+	P003-000010	LIMITER CAP	2		B
17	+	P003-006160	NEEDLE	1		D
18	+	P003-006160	NEEDLE	1		D
19	+	123156-30830	STOP, THROTTLE	1		D
20	+	123114-38830	SCREW	3		D
21	+	123134-04260	SCREW, IDLE ADJUST	1		D
22	+	123133-04260	SPRING, IDLE ADJUST	1		D
23	+	P003-002380	SCREW	1		D
24	+	123132-16130	VALVE, CHOKE	1		D
25	+	P003-000560	SPRING, THRT. RETURN	1		D
26	+	P003-002280	SHAFT,THROTTLE	1		C
27	+	123116-16130	VALVE, THROTTLE	1		D
28	+	123127-15030	RING	1		D
29	+	P003-002290	SHAFT, CHOKE	1		D
30	+	P003-002300	LEVER, CHOKE	1		D
31	+	P003-000610	SPRING	1		D
32	+	123149-26030	WASHER	1		D
33	+	P003-000620	LEVER-FAST IDLE	1		D
34	+	123130-02960	SCREW	4		D

Class : Consumable class

A:Fast moving parts B:Semi-fast moving parts C:Slow moving parts D:Order only as needed

# MUFFLER



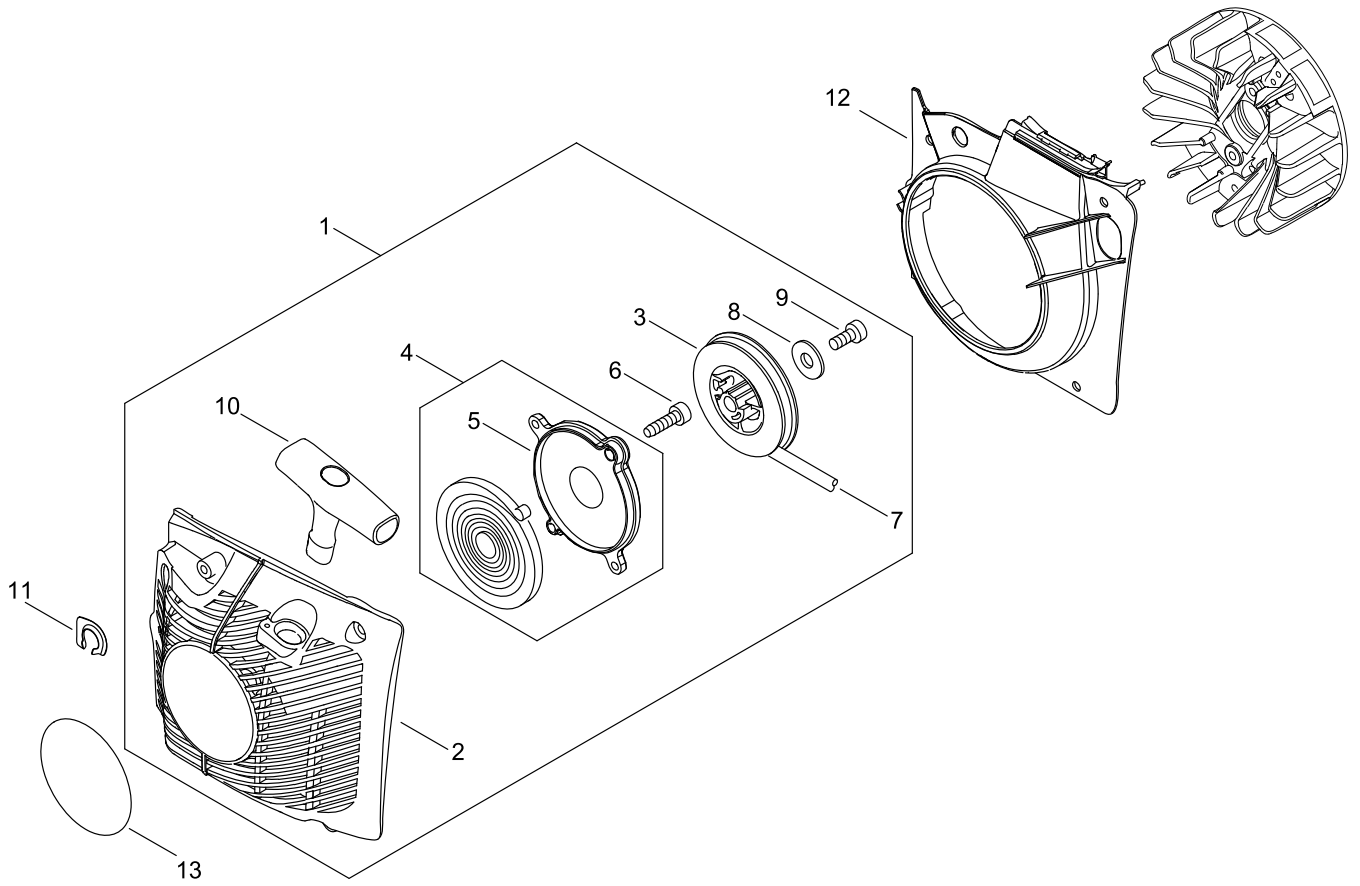
## MUFFLER

Key No.	LV (+)	Parts Number	Parts Description	Qty	Standard	Class
1		A300-001811	MUFFLER, EXHAUST	1	フランジ ホキヨウWPカツパ°	C
2		V104-002150	GASKET, EXHAUST	1	T 1.6	A
3		V805-000210	BOLT, TORX 5	2	TB-5*20 12.9	C
4		V855-000010	BOLT, TORX 5	2	TB-5*25 12.9	C
5		A301-000030	PLATE, MUFFLER	1	T0.5	C
6		V804-000030	BOLT, TORX 4	5	TB-4*8 10.9	C
7		A310-000100	SCREEN, ARRESTOR	1		B
8		A031-000040	GUIDE, EXHAUST	1	ID#2110	C

Class : Consumable class

A:Fast moving parts B:Semi-fast moving parts C:Slow moving parts D:Order only as needed

# RECOIL STARTER





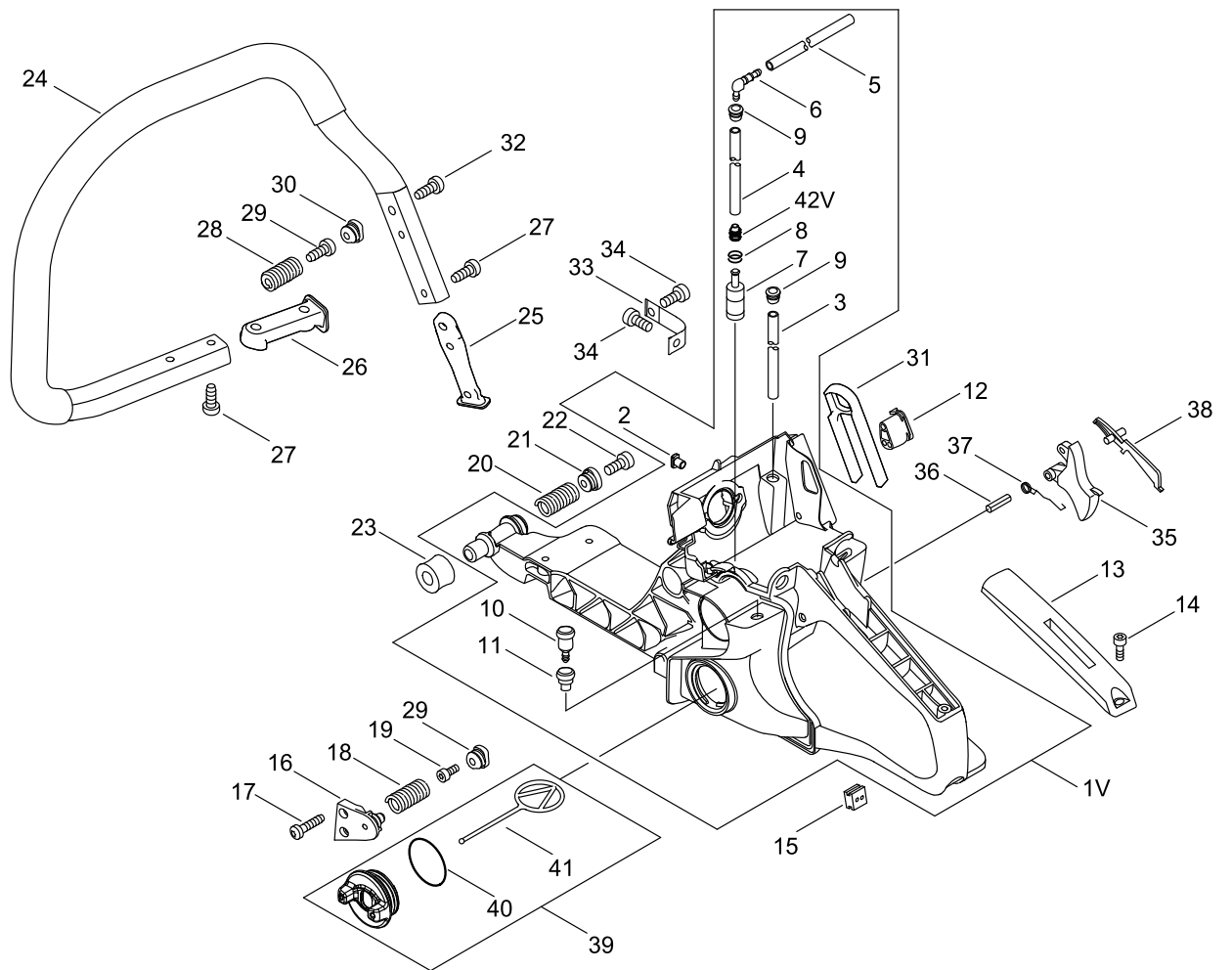
## RECOIL STARTER

Key No.	LV (+)	Parts Number	Parts Description	Qty	Standard	Class
1		P100-008060	STARTER ASY	1		
2	+	P100-008050	CASE,STARTER	1		
3	+	A506-000112	REEL, ROPE	1		C
4	+	P100-002890	SPRING KIT, REWIND	1		B
5	++	A503-000032	PLATE, STARTER	1		C
6	+	V804-000000	BOLT, TORX 4	2	TT-4*12 DG 10.9	C
7	+	A509-000460	ROPE	1		B
8	+	177214-02830	WASHER	1	5.2*16*1.0T	C
9	+	V805-000130	BOLT, TORX 5	1	TB-5*10 10.9	C
10	+	A511-000300	GRIP,STARTER	1		C
11		V150-003800	PLATE,EYE	1		C
12		A172-000843	COVER,FAN	1		C
13		X562-001600	LABEL,SHINDAIWA	1	601SX	D

Class : Consumable class

A:Fast moving parts B:Semi-fast moving parts C:Slow moving parts D:Order only as needed

# HANDLE



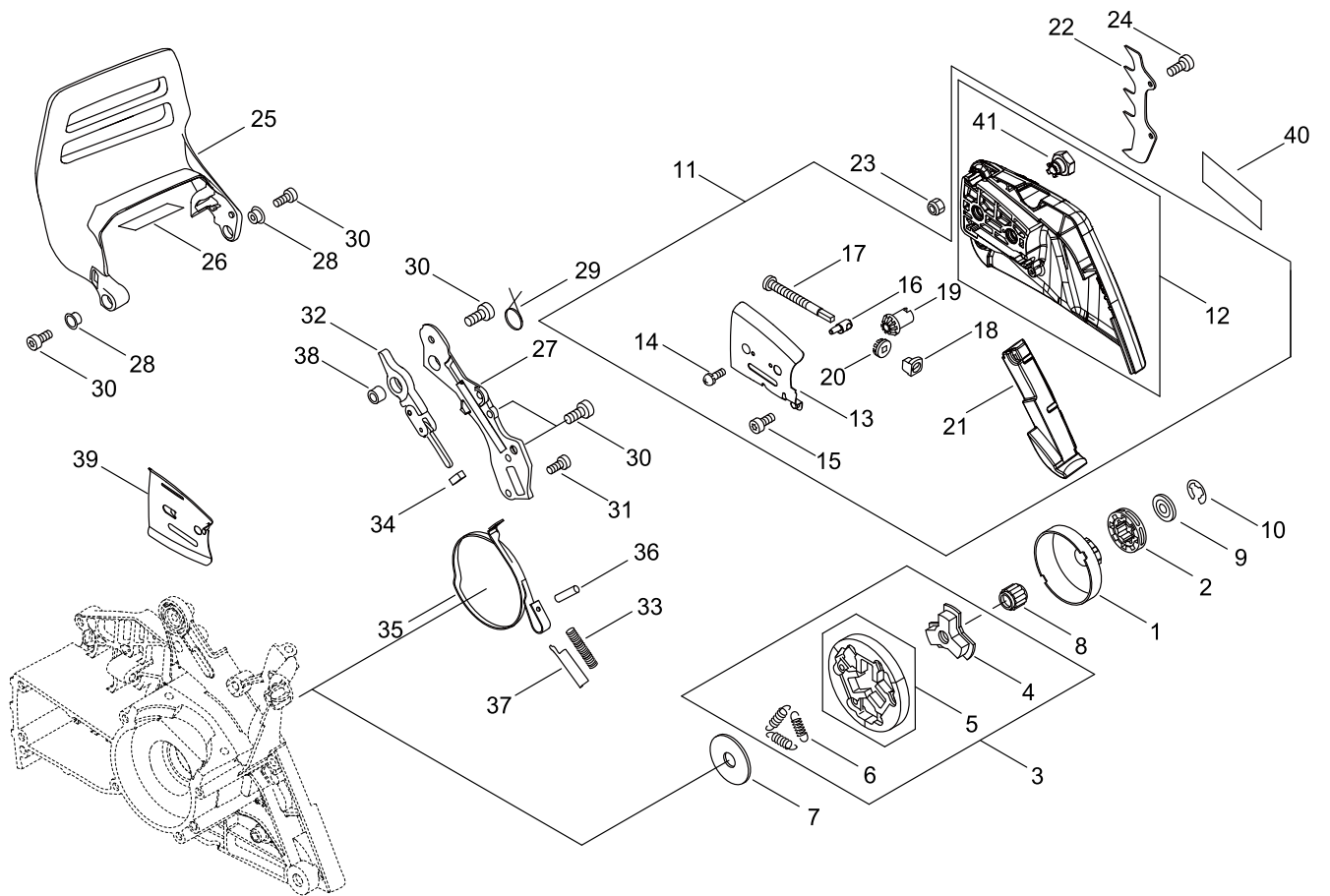
## HANDLE

Key No.	LV (+)	Parts Number	Parts Description	Qty	Standard	Class
1V		P100-008911	REAR HANDLE ASY	1		C
2	++	V263-000450	NUT,5	2		C
3	+	130110-30831	PIPE	1	3*6(8)*160	C
4	+	V471-000601	PIPE	1	3*5*120	C
5	+	130110-14530	PIPE, IMPULSE	1	3*6*135L	C
6	+	V186-000500	JOINT,PIPE	1		C
7	+	A369-000450	STRAINER, FUEL	1		A
8	+	V490-001240	CLIP	1		C
9	+	132115-01462	GROMMET	2		C
10	+	131300-56431	VENT ASSEMBLY, FUEL	1		B
11	+	A359-000001	COVER,VENT	1	22.5*D18*D8.5	D
42V	+	A413-000190	BOOT	1		C
12		V131-000020	GROMMET,NEEDLE	1		C
13		C411-000001	LID,HANDLE	1		C
14		V804-000000	BOLT, TORX 4	1	TT-4*12 DG 10.9	C
15		150114-04920	BUSHING	1		C
16		V456-000110	HOLDER,SPRING	1		C
17		V805-000010	BOLT, TORX 5	2	TT-5*20 DG 10.9	C
18		V450-000760	SPRING,COMPRESSION	1	17*36.7*2.6	B
19		V805-000230	BOLT, TORX 5	1	TT-5*25 DG 10.9	C
20		V450-000771	SPRING,COMPRESSION	1	20*40*3.3	B
21		V456-000101	HOLDER,SPRING	1		C
22		V806-000000	BOLT, TORX 6	1	TT-6*20 DG 10.9	C
23		V404-000210	CUSHION,10	1		B
24		C400-001171	HANDLE, FRONT	1		C
25		C405-000560	BRACKET,HANDLE	1		C
26		C405-000570	BRACKET,HANDLE	1		C
27		V805-000010	BOLT, TORX 5	4	TT-5*20 DG 10.9	C
28		V450-000730	SPRING,COMPRESSION	1	17*38.4	B
29		V805-000000	BOLT, TORX 5	1	TT-5*16 DG 10.9	C
30		V456-000080	HOLDER,SPRING	2	14.4	C
31		V456-000280	HOLDER,SPRING	1		C
32		V806-000000	BOLT, TORX 6	1	TT-6*20 DG 10.9	C
33		C617-000362	STOPPER	1		C
34		V805-000000	BOLT, TORX 5	2	TT-5*16 DG 10.9	C
35		C450-000360	CONTROL, THROTTLE	1		C
36		900345-40025	PIN, SPRING	1	4*25	
37		V452-000260	SPRING,TORSION	1		B
38		178090-19830	LOCKOUT, T. CONTROL	1		C
39		P100-006351	CAP,FUEL ASY	1		
40	+	V581-000600	RING,O	1	P29	A
41	+	A365-000050	CONNECTOR,CAP	1		B

Class : Consumable class

A:Fast moving parts B:Semi-fast moving parts C:Slow moving parts D:Order only as needed

# CHAIN BRAKE



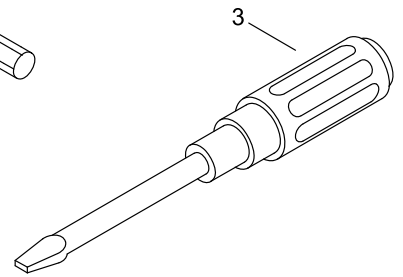
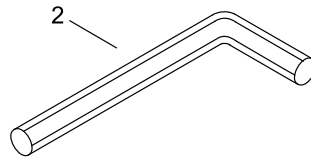
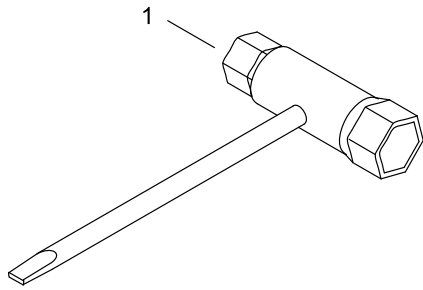
## CHAIN BRAKE

Key No.	LV (+)	Parts Number	Parts Description	Qty	Standard	Class
1		A556-001610	DRUM, CLUTCH	1		B
2		175033-14731	SPROCKET, RIM 68210S	1		B
3		A056-000221	CLUTCH ASY	1	VA	B
4	+	A552-000110	HUB, CLUTCH	1		B
5	++	P021-007051	CLUTCH SHOE SET	1		B
6	+	V451-000500	SPRING,TENSION	3		B
7		A551-000110	PLATE, CLUTCH	1	12*36*2	C
8		V555-000010	BEARING,NEEDLE 10	1		B
9		V307-000520	WASHER,CIRCULAR 10	1		C
10		V583-000440	RING	1	8.1 T1.2	C
11		P100-008900	GUARD, SPROCKET KIT	1		
12	+	C300-001210	GUARD,SPROCKET	1		C
41	++	V265-000660	NUT,8	2	M8*1.25*7.2	C
13	+	C305-000101	PLATE,SPROCKET GUARD	1		C
14	+	91325-03005	SCREW, TAPPING	1	3*5	C
15	+	V804-000000	BOLT, TORX 4	1	TT-4*12 DG 10.9	C
16	+	C309-000160	TENSIONER, CHAIN	1		C
17	+	V203-002140	BOLT,5	1		C
18	+	V355-000800	COLLAR,8	1		C
19	+	V651-001040	GEAR,BEVEL	1		D
20	+	V651-001050	GEAR,BEVEL	1		D
21	+	C302-000011	PAD, GUARD	1		B
22		C304-000300	SPIKED	1		C
23		900560-00005	NUT, LOCK	2	5	
24		V805-000300	BOLT, TORX 5	2	TB-5*12 12.9	C
25		C320-000182	LEVER, BRAKE	1		C
26		V341-000131	WASHER,SQUARE	1	75*27*0.15	C
27		C345-000343	COVER,BRAKE	1		C
28		V356-000440	COLLAR,10	2	11.2*16.2*T0.6	C
29		V452-000400	SPRING,TORSION	1		B
30		V805-000000	BOLT, TORX 5	5	TT-5*16 DG 10.9	C
31		V804-000000	BOLT, TORX 4	1	TT-4*12 DG 10.9	C
32		C334-000111	CONNECTOR, BRAKE	1	ASSY	C
33		V450-000740	SPRING,COMPRESSION	1	12*70.5	B
34		V376-000450	SPACER	1		C
35		C328-000121	BAND, BRAKE	1		C
36		93050-30098	ROLLER	1	3*9.8	C
37		C603-000220	PLATE, SIDE	1	T0.3	C
38		V356-000470	COLLAR,10	1	12*10*T1.0	C
39		C305-000111	PLATE,SPROCKET GUARD	1		C
40		X504-000950	LABEL,BRAND	1	SHINDAIWA	D

Class : Consumable class

A:Fast moving parts B:Semi-fast moving parts C:Slow moving parts D:Order only as needed

# ACCESSORIES



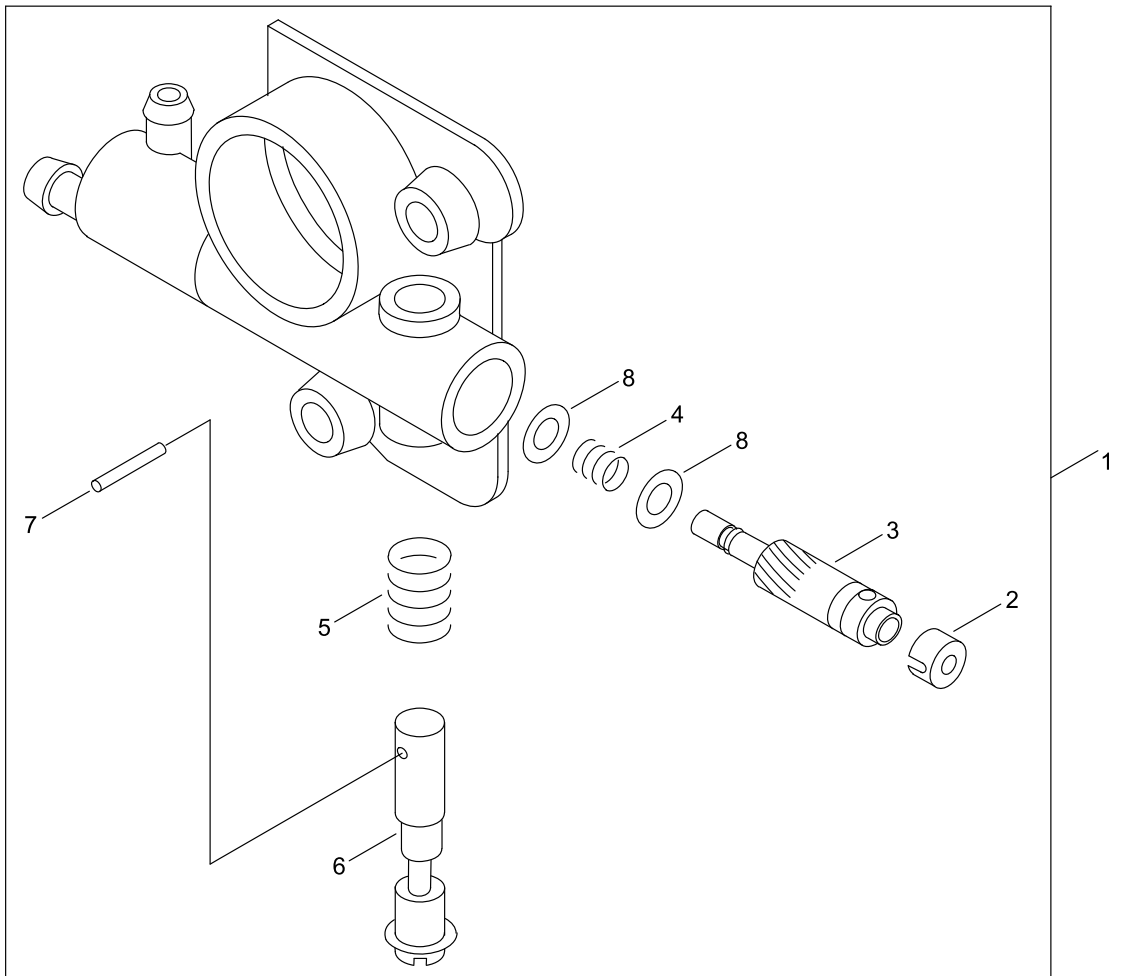
## ACCESSORIES

Key No.	LV (+)	Parts Number	Parts Description	Qty	Standard	Class
1		X602-000080	TOOL,WRENCH	1	13*19 L180	D
2		X605-000190	TOOL,L WRENCH	1	T27 120*80	D
3		895812-03930	DRIVER, SCREW 50	1		D

Class : Consumable class

A:Fast moving parts B:Semi-fast moving parts C:Slow moving parts D:Order only as needed

# OILER







## OILER

Key No.	LV (+)	Parts Number	Parts Description	Qty	Standard	Class
1		C022-000053	AUTO-OILER ASSEMBLY	1	ZP02A	C
2	+	P022-038170	CAP, PLUNGER	1		D
3	+	P022-038180	SHAFT ASY-PLUNGER	1		D
4	+	P022-049820	SPRING, PLUNGER	1		D
5	+	P022-010670	SPRING	1		D
6	+	P022-038200	SCREW KIT, ADJUST	1		D
7	+	P022-038210	SPRING PIN	1		D
8	+	P022-049140	WASHER	2		D

Class : Consumable class

A:Fast moving parts B:Semi-fast moving parts C:Slow moving parts D:Order only as needed

## GUIDE BAR, CHAIN

Pitch ピッチ  (inch) (mm)	Gauge ゲージ  (inch) (mm)	Length 長さ  (cm)	Guide Bar ガイドバー		Saw Chain ソーチェーン		Chain Scabbard チェーン スカバード		Hard Nose ハード ノーズ  	Sprocket Nose スプロケット ノーズ  
			Key №	Type 形式	Key №	Type 形式	Key №	Length 長さ (cm)		
3/8 9.53	0.058 1.47	45	A1	S45R73-64AA- SD	A2	73LPX-64	/	/		●
3/8 9.53	0.058 1.47	45	B1	S45R73-64AA- SD	B2	73EXL-64	/	/		●
3/8 9.53	0.058 1.47	50	C1	S50R73-72AA- SD	C2	73LPX-72	/	/		●
3/8 9.53	0.058 1.47	50	D1	S50R73-72AA- SD	D2	73EXL-72	/	/		●
3/8 9.53	0.058 1.47	60	E1	S60R73-84AA- SD	E2	73LPX-84	E3	65		●
3/8 9.53	0.058 1.47	60	F1	S60R73-84AA- SD	F2	73EXL-84	F3	65		●

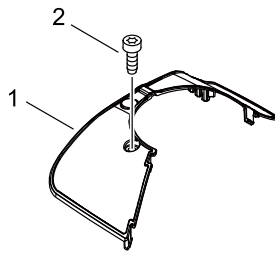
## GUIDE BAR, CHAIN

Key No.	LV (+)	Parts Number	Parts Description	Qty	Standard	Class
A1		X125-000271	BAR,GUIDE 45	1	S45R73-64AA- SD	A
A2		X265-000060	CHAIN,SAW	1	73LPX-64	A
B1		X125-000271	BAR,GUIDE 45	1	S45R73-64AA- SD	A
B2		X265-000070	CHAIN,SAW	1	73EXL-64	A
C1		X126-000201	BAR,GUIDE 50	1	S50R73-72AA- SD	A
C2		X266-000060	CHAIN,SAW	1	73LPX-72	A
D1		X126-000201	BAR,GUIDE 50	1	S50R73-72AA- SD	A
D2		X266-000090	CHAIN,SAW	1	73EXL-72	A
E1		X128-000061	BAR,GUIDE 60	1	S60R73-84AA- SD	A
E2		X268-000040	CHAIN,SAW	1	73LPX-84	A
E3		X490-000790	SCABBARD,CHAIN	1	L650 W122	D
F1		X128-000061	BAR,GUIDE 60	1	S60R73-84AA- SD	A
F2		X268-000060	CHAIN,SAW	1	73EXL-84	A
F3		X490-000790	SCABBARD,CHAIN	1	L650 W122	D

Class : Consumable class

A:Fast moving parts B:Semi-fast moving parts C:Slow moving parts D:Order only as needed

# OPTION



## OPTION

Key No.	LV (+)	Parts Number	Parts Description	Qty	Standard	Class
1		C418-000130	SHIELD, SNOW	1		C
2		V804-000000	BOLT, TORX 4	1	TT-4*12 DG 10.9	C

Class : Consumable class

A:Fast moving parts B:Semi-fast moving parts C:Slow moving parts D:Order only as needed

# NUMERICAL PARTS INDEX

Part No	Part description	Page	Part No	Part description	Page	Part No	Part description	Page
100142-30830	KEY, WOODRUFF	6	900515-00008	NUT, FLANGE	6	A506-000112	REEL, ROPE	14
123110-16130	SCREW, PUMP COVER	10	900560-00005	NUT, LOCK	4	A509-000460	ROPE	14
123112-12330	DIAPHRAGM, FUEL PUMP	10	900560-00005	NUT, LOCK	18	A511-000300	GRIP,STARTER	14
123114-38830	SCREW	10	900603-00005	WASHER	6	A551-000110	PLATE, CLUTCH	18
123116-16130	VALVE, THROTTLE	10	900701-00015	RETAINING RING	2	A552-000110	HUB, CLUTCH	18
123122-32630	SPRING, METER. LEVER	10	900720-20029	O-RING	4	A556-001610	DRUM, CLUTCH	18
123123-18330	LEVER, METERING	10	91325-03005	SCREW, TAPPING	18	C022-000053	AUTO-OILER ASSEMBLY	2
123124-19830	COVER, FUEL PUMP	10	93050-30098	ROLLER	18	C022-000053	AUTO-OILER ASSEMBLY	22
123125-12330	GASKET, FUEL PUMP	10	94036-46202	BEARING, BALL	4	C300-001210	GUARD,SPROCKET	18
123126-10631	SCREEN, INLET	10	A014-000110	RELEASE ASY., COMP.	2	C302-000011	PAD, GUARD	18
123127-15030	RING	10	A021-005220	CARBURETOR, DIAPHRAGM	8	C304-000290	SPIKED	4
123130-02960	SCREW	10	A021-005220	CARBURETOR, DIAPHRAGM	10	C304-000300	SPIKED	18
123132-16130	VALVE, CHOKE	10	A031-000040	GUIDE, EXHAUST	12	C305-000101	PLATE,SPROCKET GUARD	18
123133-04260	SPRING, IDLE ADJUST	10	A056-000221	CLUTCH ASY	18	C305-000111	PLATE,SPROCKET GUARD	18
123134-04260	SCREW, IDLE ADJUST	10	A101-000810	RING, PISTON	2	C309-000160	TENSIONER, CHAIN	18
123137-19830	VALVE, INLET NEEDLE	10	A130-002420	CYLINDER	2	C310-000030	CATCHER,CHAIN	4
123138-03930	PIN, METERING LEVER	10	A172-000843	COVER,FAN	14	C320-000182	LEVER, BRAKE	18
123139-03930	SCREW, M. LEVER PIN	10	A202-000081	BELLOWS, INTAKE	8	C328-000121	BAND, BRAKE	18
123140-16130	GASKET, M. DIAPHRAGM	10	A206-000010	HOLDER, BELLOWS	8	C334-000111	CONNECTOR, BRAKE	18
123142-17330	COVER, M. DIAPHRAGM	10	A219-000000	SHUTTER, AIR	8	C345-000343	COVER,BRAKE	18
123146-10631	PLUG, WELCH	10	A226-002420	ELEMENT, AIR FILTER	8	C400-001171	HANDLE, FRONT	16
123149-26030	WASHER	10	A226-002430	ELEMENT, AIR FILTER	8	C405-000560	BRACKET,HANDLE	16
123156-30830	STOP, THROTTLE	10	A232-000512	LID,CLEANER	8	C405-000570	BRACKET,HANDLE	16
130110-14530	PIPE, IMPULSE	16	A235-000201	KNOB,CLEANER LID	8	C411-000001	LID,HANDLE	16
130110-30831	PIPE	16	A239-000060	PIPE, INTAKE	4	C418-000130	SHIELD, SNOW	26
131300-56431	VENT ASSEMBLY, FUEL	16	A239-000070	PIPE, INTAKE	4	C450-000360	CONTROL, THROTTLE	16
132115-01462	GROMMET	4	A241-000191	KNOB,CHOKE	8	C454-000170	ROD, THROTTLE	8
132115-01462	GROMMET	16	A244-000080	PLATE, PREVENT	8	C603-000220	PLATE, SIDE	18
150114-04920	BUSHING	16	A300-001811	MUFFLER, EXHAUST	12	C617-000362	STOPPER	16
156110-04920	BUSHING	6	A301-000030	PLATE, MUFFLER	12	E106-000040	GUIDE,AIR	4
175033-14731	SPROCKET, RIM 68210S	18	A310-000100	SCREEN, ARRESTOR	12	P003-000010	LIMITER CAP	10
177214-02830	WASHER	14	A359-000001	COVER,VENT	16	P003-000560	SPRING, THRT. RETURN	10
177218-19830	PAWL, STARTER	6	A365-000050	CONNECTOR,CAP	4	P003-000610	SPRING	10
177234-35430	SPRING, RETURN	6	A365-000050	CONNECTOR,CAP	16	P003-000620	LEVER-FAST IDLE	10
177247-04630	SPACER, RATCHET	6	A369-000450	STRAINER, FUEL	16	P003-002280	SHAFT,THROTTLE	10
178090-19830	LOCKOUT, T. CONTROL	16	A409-000360	ROTOR, MAGNETO	6	P003-002290	SHAFT, CHOKE	10
433011-19831	STUD, GUIDE BAR	4	A413-000190	BOOT	16	P003-002300	LEVER, CHOKE	10
436114-13930	VALVE, CHECK	4	A425-000000	SPARKPLUG	6	P003-002380	SCREW	10
436205-14730	STRAINER, OIL	2	A426-000010	TERMINAL,SPARKPLUG	6	P003-004920	DIAPHRAGM ASSY	10
437210-30831	PIPE	2	A427-000013	CAP,SPARK PLUG	6	P003-006160	NEEDLE	10
890157-39131	LABEL, SWITCH	8	A429-000040	COVER,CAP	6	P021-007051	CLUTCH SHOE SET	18
890345-39231	LABEL,CAUTION	4	A440-001190	SWITCH, ON OFF	4	P021-045111	CASE,CLEANER	8
895812-03930	DRIVER, SCREW 50	20	A472-000091	CASE,SWITCH	4	P022-010670	SPRING	22
900345-40025	PIN, SPRING	16	A503-000032	PLATE, STARTER	14	P022-038170	CAP, PLUNGER	22

# NUMERICAL PARTS INDEX

Part No	Part description	Page	Part No	Part description	Page	Part No	Part description	Page
P022-038180	SHAFT ASY-PLUNGER	22	V450-000740	SPRING,COMPRESSION	18	V805-000210	BOLT, TORX 5	12
P022-038200	SCREW KIT, ADJUST	22	V450-000760	SPRING,COMPRESSION	16	V805-000220	BOLT, TORX 5	2
P022-038210	SPRING PIN	22	V450-000771	SPRING,COMPRESSION	16	V805-000230	BOLT, TORX 5	16
P022-049140	WASHER	22	V451-000500	SPRING,TENSION	18	V805-000250	BOLT, TORX 5	4
P022-049820	SPRING, PLUNGER	22	V452-000260	SPRING,TORSION	16	V805-000300	BOLT, TORX 5	18
P100-002890	SPRING KIT, REWIND	14	V452-000400	SPRING,TORSION	18	V806-000000	BOLT, TORX 6	16
P100-002900	CYLINDER COVER ASY	4	V456-000080	HOLDER,SPRING	16	V835-000000	BOLT, TORX 5	6
P100-004881	CAP,OIL ASY	4	V456-000101	HOLDER,SPRING	16	V855-000010	BOLT, TORX 5	12
P100-006351	CAP,FUEL ASY	16	V456-000110	HOLDER,SPRING	16	V856-000010	BOLT,TORX 6	4
P100-008050	CASE,STARTER	14	V456-000280	HOLDER,SPRING	16	X125-000271	BAR,GUIDE 45	24
P100-008060	STARTER ASY	14	V470-000831	PIPE	2	X126-000201	BAR,GUIDE 50	24
P100-008850	PISTON KIT	2	V471-000601	PIPE	16	X128-000061	BAR,GUIDE 60	24
P100-008870	COIL, IGNITION	6	V475-004130	TUBE	6	X265-000060	CHAIN,SAW	24
P100-008900	GUARD, SPROCKET KIT	18	V485-001091	LEAD	6	X265-000070	CHAIN,SAW	24
P100-008911	REAR HANDLE ASY	16	V485-001101	LEAD	4	X266-000060	CHAIN,SAW	24
P100-010060	AIR FILTER SET	8	V490-001240	CLIP	2	X266-000090	CHAIN,SAW	24
P200-001420	CRANKCASE ASY	4	V490-001240	CLIP	16	X268-000040	CHAIN,SAW	24
V100-000270	GASKET,CYL	2	V508-000100	SEAL,OIL 15	4	X268-000060	CHAIN,SAW	24
V102-000060	GASKET,CRANKCASE	4	V555-000010	BEARING,NEEDLE 10	18	X490-000790	SCABBARD,CHAIN	24
V104-002150	GASKET,EXHAUST	12	V556-000050	BEARING,NEEDLE 11	2	X504-000950	LABEL,BRAND	18
V130-000030	GROMMET,CHOKE	8	V580-000120	RING,END	2	X562-001600	LABEL,SHINDAIWA	14
V131-000020	GROMMET,NEEDLE	16	V581-000600	RING,O	16	X602-000080	TOOL,WRENCH	20
V141-000090	GROMMET,PLUG	2	V583-000440	RING	18	X605-000190	TOOL,L WRENCH	20
V150-003800	PLATE,EYE	14	V609-000080	PIN,ENG 11	2			
V186-000500	JOINT,PIPE	16	V651-001040	GEAR,BEVEL	18			
V203-002140	BOLT,5	18	V651-001050	GEAR,BEVEL	18			
V263-000450	NUT,5	16	V652-000050	GEAR,WORM	2			
V265-000660	NUT,8	18	V804-000000	BOLT, TORX 4	2			
V307-000520	WASHER,CIRCULAR 10	18	V804-000000	BOLT, TORX 4	14			
V308-000040	WASHER,CIRCULAR 11	2	V804-000000	BOLT, TORX 4	16			
V311-000090	WASHER,CIRCULAR 16-1	2	V804-000000	BOLT, TORX 4	18			
V341-000131	WASHER,SQUARE	18	V804-000000	BOLT, TORX 4	26			
V341-000140	WASHER,SQUARE	4	V804-000030	BOLT, TORX 4	12			
V354-000650	COLLAR,6	4	V805-000000	BOLT, TORX 5	4			
V355-000800	COLLAR,8	18	V805-000000	BOLT, TORX 5	6			
V356-000440	COLLAR,10	18	V805-000000	BOLT, TORX 5	8			
V356-000470	COLLAR,10	18	V805-000000	BOLT, TORX 5	16			
V358-000090	COLLAR,14	2	V805-000000	BOLT, TORX 5	18			
V360-000060	COLLAR,18	8	V805-000010	BOLT, TORX 5	4			
V376-000450	SPACER	18	V805-000010	BOLT, TORX 5	16			
V376-001780	SPACER	4	V805-000020	BOLT, TORX 5	4			
V376-001890	SPACER	4	V805-000080	BOLT, TORX 5	8			
V404-000210	CUSHION,10	16	V805-000130	BOLT, TORX 5	14			
V420-003800	CUSHION	4	V805-000160	BOLT, TORX 5	4			
V450-000730	SPRING,COMPRESSION	16	V805-000170	BOLT, TORX 5	4			