

# CS-3510ES

Serial Number

38000001-38999999

Last updated date

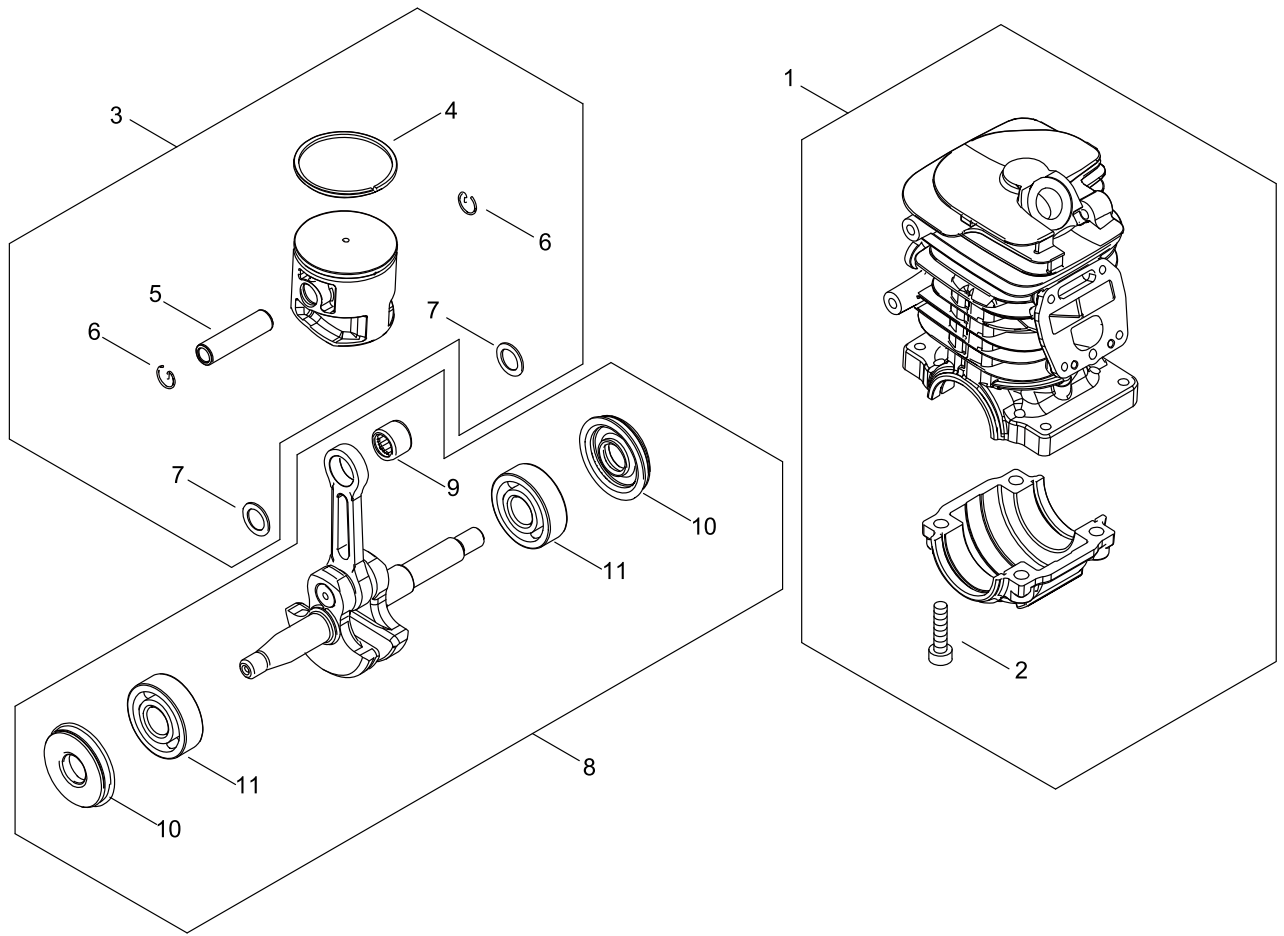
29/Apr/2021

## TABLE OF CONTENTS

---

CYLINDER, PISTON, CRANKSHAFT .....	1
ENGINE COVER.....	3
MAGNETO.....	5
AIR CLEANER, CARBURETOR.....	7
CARBURETOR.....	9
MUFFLER.....	11
RECOIL STARTER.....	13
HANDLE.....	15
CHAIN BRAKE.....	17
ACCESSORIES .....	19
GUIDE BAR, CHAIN .....	21
OPTION PARTS.....	23

# CYLINDER, PISTON, CRANKSHAFT



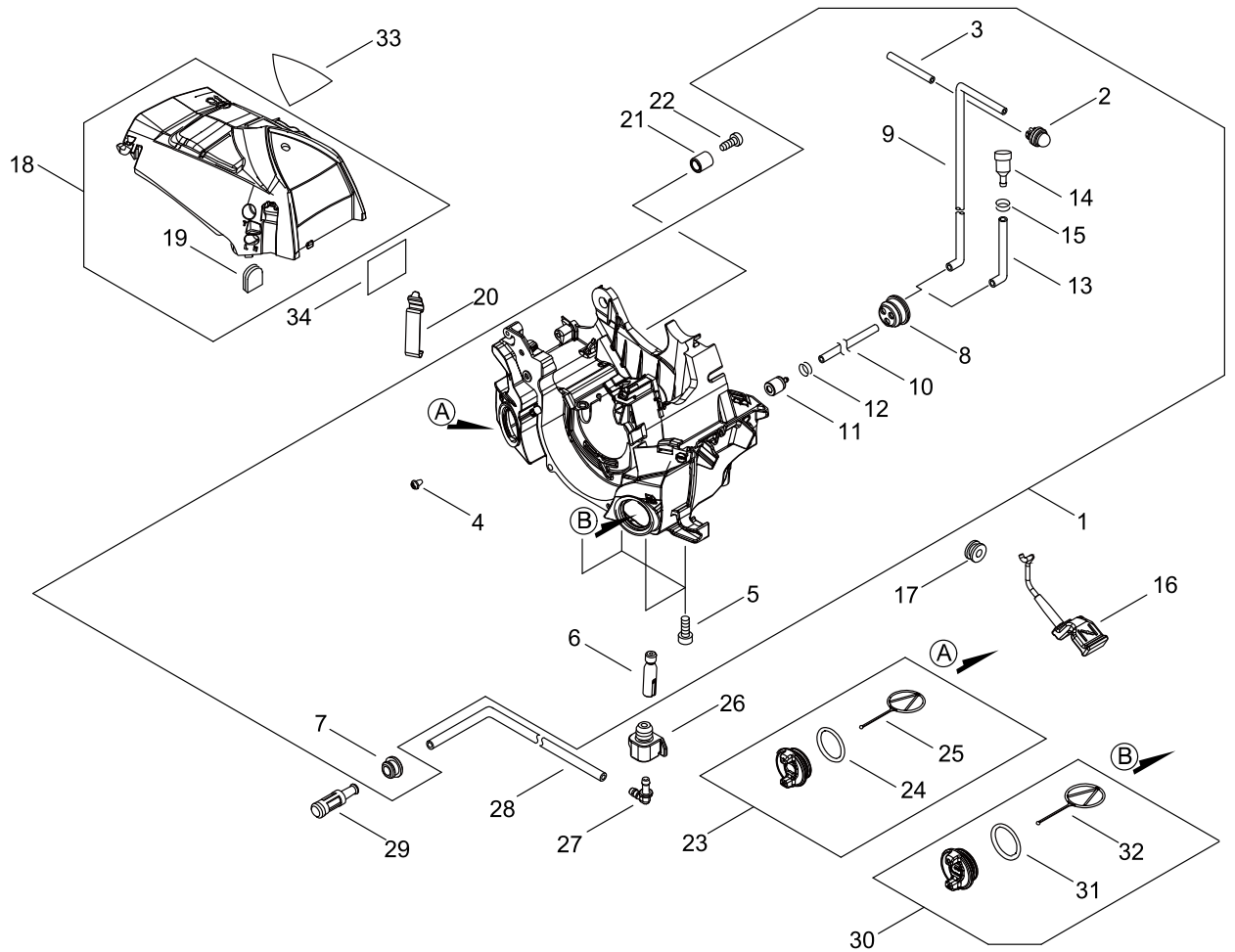
## CYLINDER, PISTON, CRANKSHAFT

Key No.	LV (+)	Parts Number	Parts Description	Qty	Standard	Class
1		P100-009150	CRANKCASE KIT	1		
2	+	V805-000210	BOLT, TORX 5	4	TB-5*20 12.9	C
3		P100-009130	PISTON KIT	1		
4	+	A101-000160	RING, PISTON	1	40*B1.5*T1.8	B
5	+	V607-000000	PIN,ENG 9	1		D
6	+	100015-03931	CIRCLIP, PISTON PIN	2		C
7	+	V306-000520	WASHER,CIRCULAR 8	2	9.2*14*T0.8	C
8		P100-009600	CRANKSHAFT ASY	1		
9	+	V554-000030	BEARING,NEEDLE 9	1	HK0910MPX1V2	C
10	+	V505-000011	SEAL,OIL 12	2	12*32*5.5	C
11	+	94095-36201	BEARING, BALL	2	6201	

Class : Consumable class

A:Fast moving parts B:Semi-fast moving parts C:Slow moving parts D:Order only as needed

# ENGINE COVER



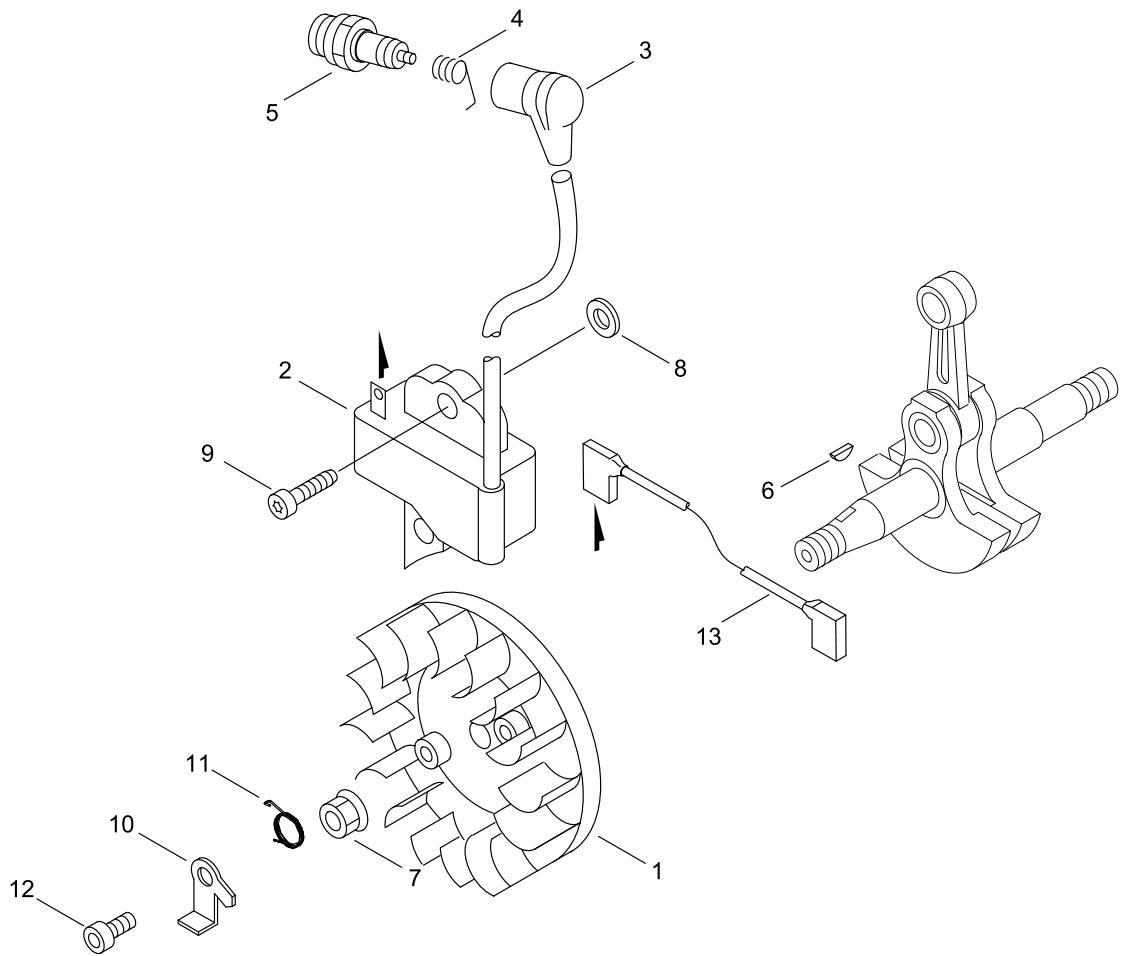
## ENGINE COVER

Key No.	LV (+)	Parts Number	Parts Description	Qty	Standard	Class
1		P100-009610	COVER ENGINE ASY	1		
2	+	A035-000040	PUMP, FUEL	1	188-554-A	A
3	+	V471-001281	PIPE	1	2.4*5*105	C
4	+	91449-04006	SCREW, TAPPING	1	4*6	
5	+	V805-000210	BOLT, TORX 5	4	TB-5*20 12.9	C
6	+	C022-000190	AUTO-OILER ASSEMBLY	1		C
7	+	132115-01462	GROMMET	1		C
8	+	132115-46730	GROMMET, FUEL	1		C
9	+	V471-001241	PIPE	1	2.4*5*140	C
10	+	V471-001231	PIPE	1	3*5*210	C
11	+	A369-000470	STRAINER, FUEL	1		A
12	+	V490-001240	CLIP	1		C
13	+	V471-001201	PIPE	1	3*5*70	C
14	+	A356-000031	VALVE,CHECK	1		B
15	+	V490-001240	CLIP	1		C
16		A241-000420	KNOB, CHOKE	1		C
17		178810-03330	GROMMET	1		C
18		P100-009570	CYLINDER COVER ASY	1		
19	+	130338-32430	PLUG, COVER	1		B
20		V490-001730	CLIP	2		C
21		C310-000110	CATCHER, CHAIN	1		B
22		V203-002260	BOLT,5	1		C
23		P100-009040	CAP ASY	1		
24	+	900720-20029	O-RING	1	P-29	
25	+	131051-19830	LINK	1	60L	B
26		V138-000030	GROMMET,OIL	1		C
27		V186-000530	JOINT,PIPE	1		C
28		437210-30831	PIPE	1	3*6*210	C
29		P100-001900	STRAINER, OIL	1		
30		P100-009200	CAP ASY	1		
31	+	V581-000600	RING,O	1	P29	A
32	+	131051-19830	LINK	1	60L	B
33		X503-015560	LABEL,MODEL	1	CS-3510ES	D
34		X505-011340	LABEL,CAUTION	1	25.5*55	D

Class : Consumable class

A:Fast moving parts B:Semi-fast moving parts C:Slow moving parts D:Order only as needed

# MAGNETO



## MAGNETO

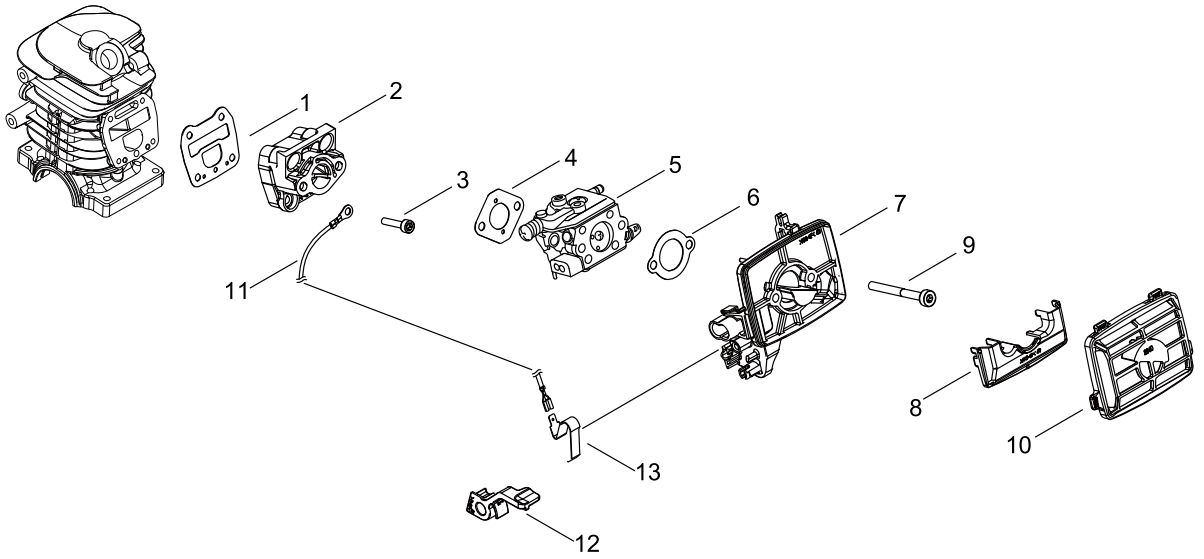
Key No.	LV (+)	Parts Number	Parts Description	Qty	Standard	Class
1		A409-001180	ROTOR, MAGNETO	1		C
2		A411-001960	COIL, IGNITION	1	OPPAMA ID#A10105	C
3		A427-000013	CAP, SPARK PLUG	1		C
4		A426-000010	TERMINAL, SPARKPLUG	1		C
5		A425-000000	SPARKPLUG	1	BPMR8Y	A
6		100142-12330	KEY, WOODRUFF	1		C
7		900515-00008	NUT, FLANGE	1	8	
8		150117-16430	SPACER	2		C
9		V805-000210	BOLT, TORX 5	2	TB-5*20 12.9	C
10		A514-000020	PAWL	2		C
11		177234-35430	SPRING, RETURN	2		B
12		V203-002250	BOLT, 5	2		C
13		V485-003510	LEAD	1	AV0.5F-L:185	C

Class : Consumable class

A:Fast moving parts B:Semi-fast moving parts C:Slow moving parts D:Order only as needed



# AIR CLEANER, CARBURETOR



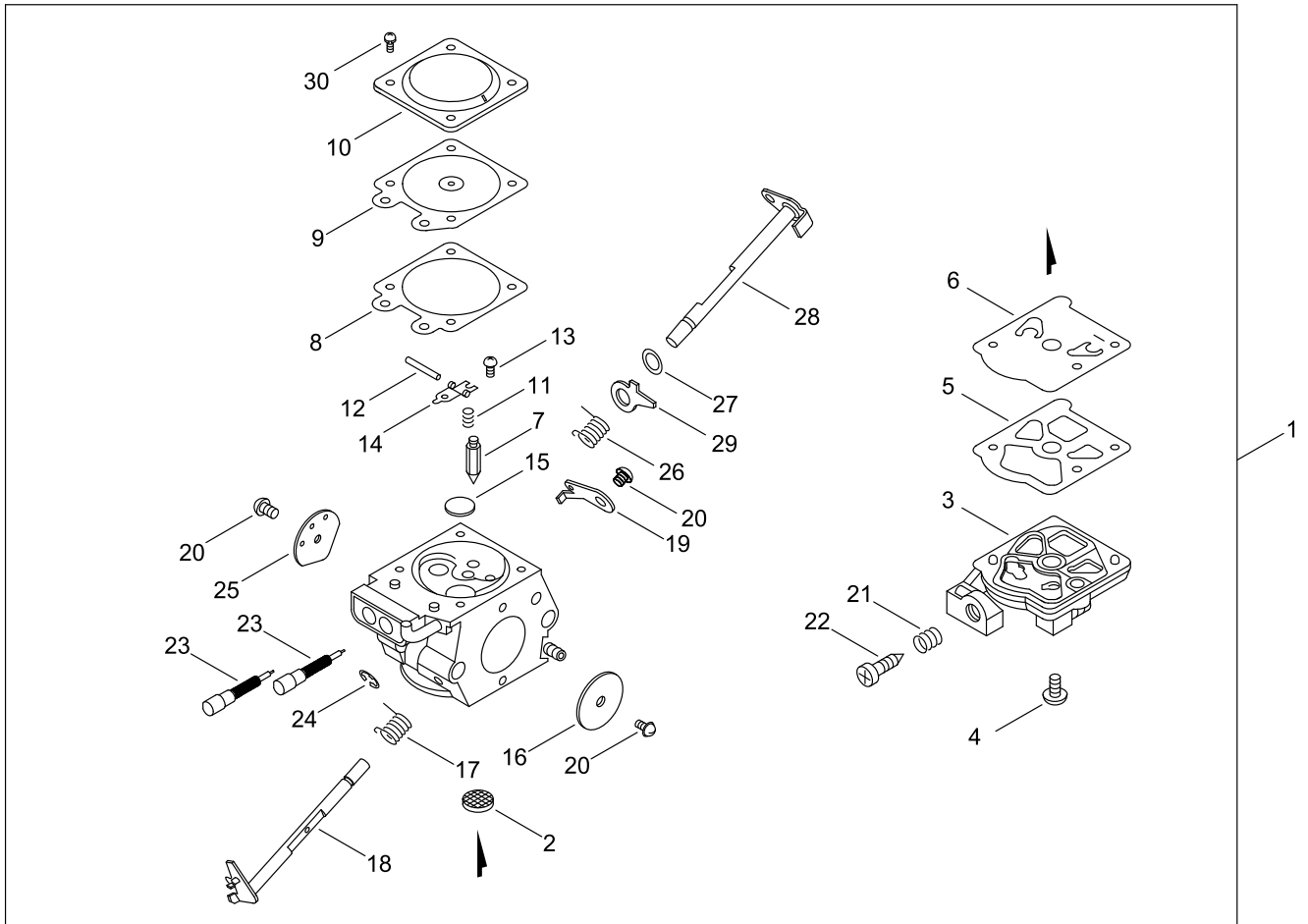
## AIR CLEANER, CARBURETOR

Key No.	LV (+)	Parts Number	Parts Description	Qty	Standard	Class
1		V103-002160	GASKET,INTAKE	1		A
2		A200-001260	INSULATOR, INTAKE	1		C
3		V804-000070	BOLT, TORX 4	4	TB-4*20 12.9	C
4		V103-002170	GASKET,INTAKE	1		A
5		A021-005280	CARBURETOR,DIAPHRAGM	1	WT-1240 /EX6525	B
6		V103-000500	GASKET,INTAKE	1	ASK NO.4600	A
7		A238-000090	HOLDER, ELEMENT	1		C
8		A161-000420	DUCT, AIR	1		C
9		V805-000080	BOLT, TORX 5	2	TB-5*50 10.9	C
10		A226-002350	ELEMENT, AIR FILTER	1	NON-WOVEN	A
11		V485-003420	LEAD	1		C
12		A444-000150	KNOB, SWITCH	1		C
13		A443-000190	PLATE, CONTACT	1		C

Class : Consumable class

A:Fast moving parts B:Semi-fast moving parts C:Slow moving parts D:Order only as needed

# CARBURETOR



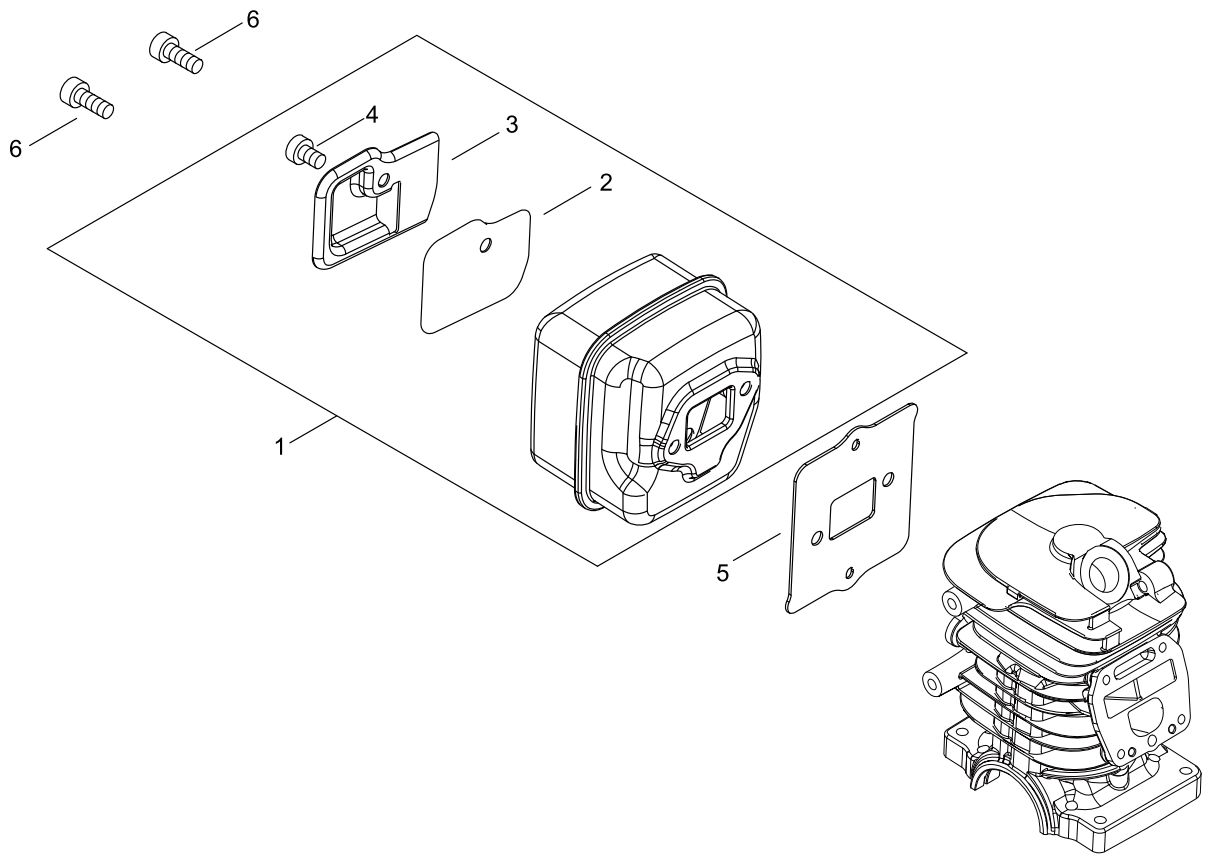
## CARBURETOR

Key No.	LV (+)	Parts Number	Parts Description	Qty	Standard	Class
1		A021-005280	CARBURETOR,DIAPHRAGM	1	WT-1240 /EX6525	B
2	+	123126-10631	SCREEN, INLET	1		
3	+	P003-006480	COVER, FUEL PUMP	1		
4	+	123110-03930	SCREW, PUMP COVER	1		
5	+	123125-15030	GASKET, FUEL PUMP	1		
6	+	123112-15030	DIAPHRAGM, FUEL PUMP	1		
7	+	123137-19830	VALVE, INLET NEEDLE	1		
8	+	123140-03930	GASKET, M. DIAPHRAGM	1		
9	+	P003-001850	DIAPHRAGM, METERING	1		
10	+	123142-03930	COVER, M. DIAPHRAGM	1		
11	+	123122-03660	SPRING, METER. LEVER	1		
12	+	123138-03930	PIN, METERING LEVER	1		
13	+	P003-005400	SCREW	1		
14	+	123123-03930	LEVER, METERING	1		
15	+	123146-10631	PLUG, WELCH	1		
16	+	P003-000310	VALVE THROTTLE	1		
17	+	123113-37530	SPRING, THROTTLE RTN	1		B
18	+	P003-000480	SHAFT,THROTTLE	1		
19	+	P003-006470	LEVER, THROTTLE	1		
20	+	123114-38830	SCREW	3		
21	+	123133-04260	SPRING, IDLE ADJUST	1		
22	+	123134-04260	SCREW, IDLE ADJUST	1		
23	+	P003-004190	NEEDLE	2		D
24	+	123127-15030	RING	2		
25	+	P003-001960	VALVE, CHOKE	1		
26	+	P003-002260	SPRING	1		
27	+	123149-26030	WASHER	1		
28	+	P003-006490	SHAFT-CHOKE(MOLD)	1		
29	+	P003-001510	LEVER-FAST IDLE	1		
30	+	123130-02960	SCREW	4		

Class : Consumable class

A:Fast moving parts B:Semi-fast moving parts C:Slow moving parts D:Order only as needed

# MUFFLER



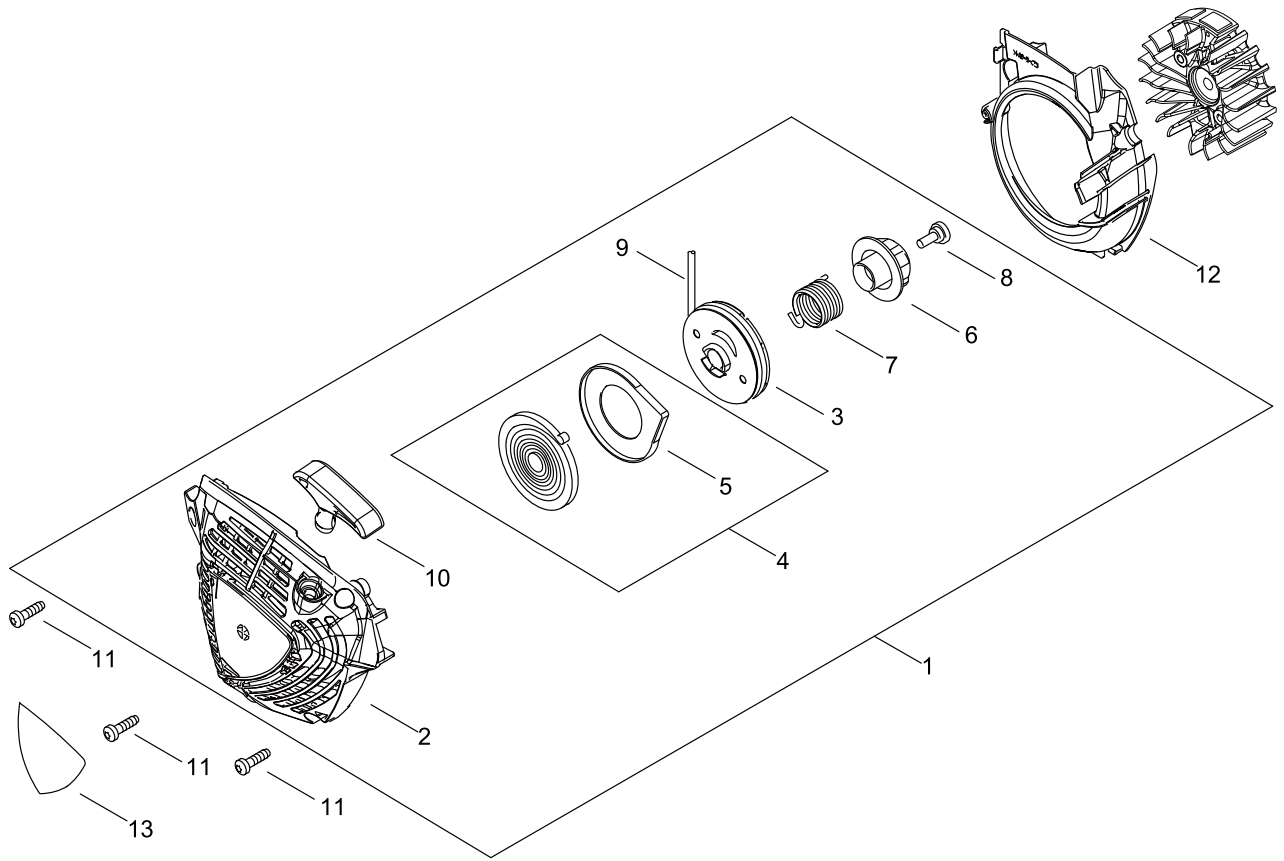
## MUFFLER

Key No.	LV (+)	Parts Number	Parts Description	Qty	Standard	Class
1		P100-009160	MUFFLER ASY	1		
2	+	A310-000570	SCREEN, ARRESTOR	1	0.34X30	B
3	+	A313-002110	GUIDE, EXHAUST	1	T0.8 ID#2720	C
4	+	V805-000120	BOLT, TORX 5	1	TB-5*8 10.9	C
5		V104-002510	GASKET,EXHAUST	1		A
6		V805-000250	BOLT, TORX 5	2	TB-5*16 12.9	C

Class : Consumable class

A:Fast moving parts B:Semi-fast moving parts C:Slow moving parts D:Order only as needed

# RECOIL STARTER



## RECOIL STARTER

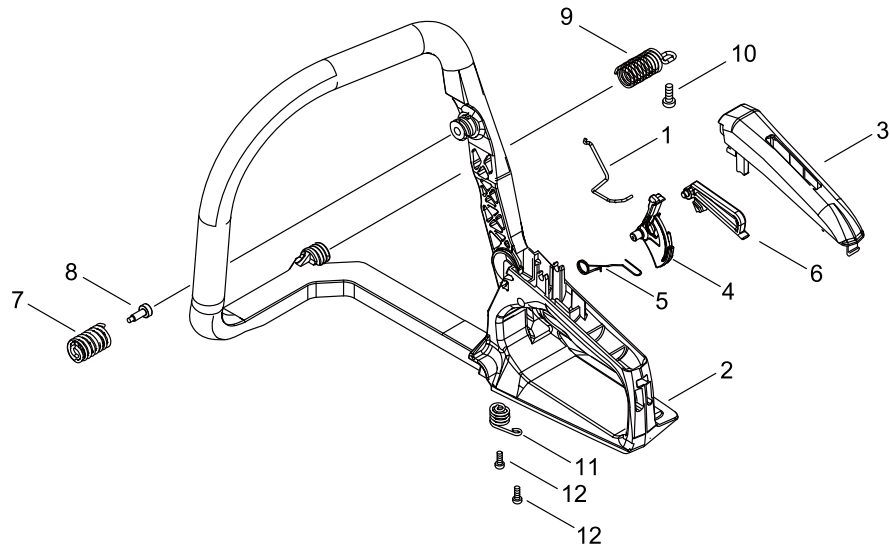
Key No.	LV (+)	Parts Number	Parts Description	Qty	Standard	Class
1		A051-003490	STARTER,RECOIL ASY	1		B
2	+	P022-055660	CASE,STARTER	1		
3	+	P022-055670	DRUM, STARTER	1		
4	+	P022-001330	SPRING KIT, REWIND	1		
5	++	P022-033280	SPRING CASE	1		
6	+	A507-000110	CATCHER,PAWL	1		C
7	+	V452-001320	SPRING,TORSION	1		B
8	+	177236-61830	SCREW	1		
9	+	P022-008440	ROPE, STARTER	1	3.5*900	
10	+	P022-005891	GRIP, STARTER	1		
11		V805-000010	BOLT, TORX 5	3	TT-5*20 DG 10.9	C
12		A172-003620	COVER,FAN	1		C
13		X547-003640	LABEL,ECHO	1	ECHO+CS-3510ES	D

Class : Consumable class

A:Fast moving parts B:Semi-fast moving parts C:Slow moving parts D:Order only as needed



# HANDLE



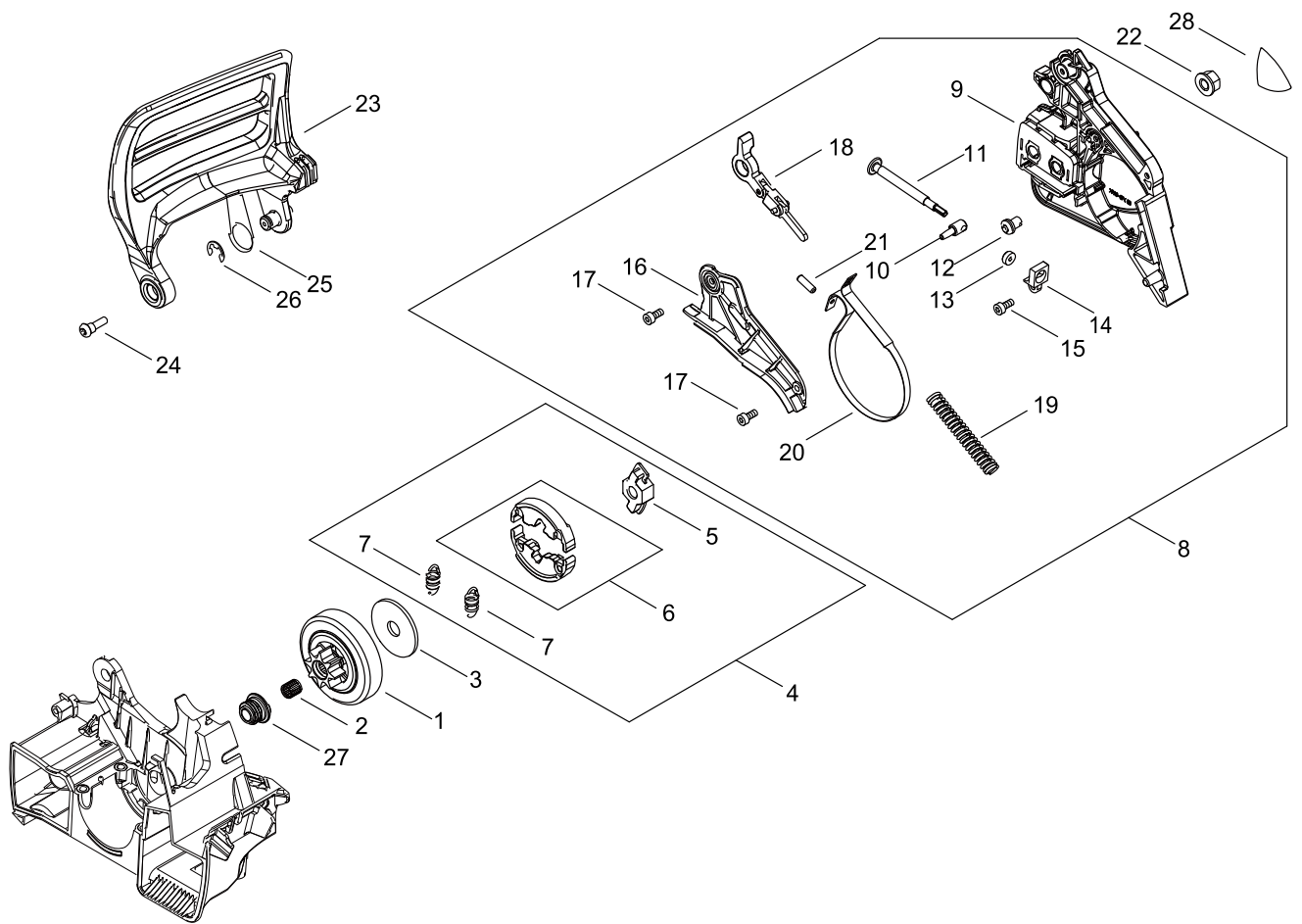
## HANDLE

Key No.	LV (+)	Parts Number	Parts Description	Qty	Standard	Class
1		C454-000610	ROD, THROTTLE	1		C
2		C410-001500	HANDLE, REAR	1		C
3		C411-000280	LID,HANDLE	1		C
4		C450-001080	TRIGGER,THROTTLE	1		C
5		V452-000850	SPRING,TORSION	1		B
6		C460-000530	LOCKOUT,THROTTLE	1		C
7		V450-002370	SPRING,COMPRESSION	1		B
8		V805-000390	BOLT, TORX 5	1	TB-5*16 10.9	C
9		V450-002380	SPRING,COMPRESSION	1		B
10		V805-000000	BOLT, TORX 5	1	TT-5*16 DG 10.9	C
11		V450-002390	SPRING,COMPRESSION	1		B
12		V805-000000	BOLT, TORX 5	2	TT-5*16 DG 10.9	C

Class : Consumable class

A:Fast moving parts B:Semi-fast moving parts C:Slow moving parts D:Order only as needed

# CHAIN BRAKE



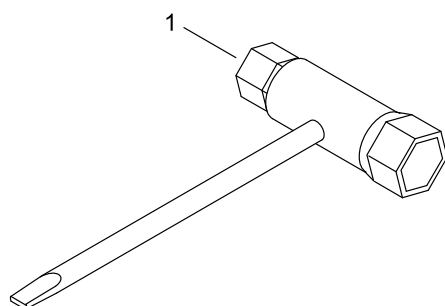
## CHAIN BRAKE

Key No.	LV (+)	Parts Number	Parts Description	Qty	Standard	Class
1		A556-001880	DRUM, CLUTCH	1	3/8	B
2		V555-000170	BEARING,NEEDLE 10	1	8E-KV10*13*12.8	B
3		A551-000210	PLATE, CLUTCH	1		C
4		A056-000870	CLUTCH ASY	1		B
5	+	A552-000500	HUB, CLUTCH	1		B
6	+	P100-009170	CLUTCH SHOE SET	1		
7	+	A566-000350	SPRING, CLUTCH	2		B
8		P100-009580	GUARD, SPROCKET ASY	1		
9	+	C300-001190	GUARD, SPROCKET	1		C
10	+	C309-000030	TENSIONER,CHAIN	1		C
11	+	V203-000110	BOLT,5	1		C
12	+	V651-000001	GEAR,BEVEL	1		D
13	+	V651-000011	GEAR,BEVEL	1		D
14	+	V355-000140	COLLAR,8	1		C
15	+	V804-000000	BOLT, TORX 4	1	TT-4*12 DG 10.9	C
16	+	C345-000720	COVER,BRAKE	1		C
17	+	V804-000000	BOLT, TORX 4	2	TT-4*12 DG 10.9	C
18	+	C334-000100	CONNECTOR, BRAKE	1		C
19	+	V450-000070	SPRING,COMPRESSION	1		B
20	+	C328-000030	BAND,BRAKE	1		C
21	+	93050-30098	ROLLER	1	3*9.8	
22		V265-000200	NUT	2		C
23		C320-000590	LEVER, BRAKE	1		C
24		V203-002270	BOLT,5	1		C
25		V452-000250	SPRING,TORSION	1		B
26		900700-00008	RETAINING RING, EXTERNAL-E	1	CE-8	
27		V652-000280	GEAR,WORM	1		B
28		X502-001250	LABEL,ECHO	1	ECHO	D

Class : Consumable class

A:Fast moving parts B:Semi-fast moving parts C:Slow moving parts D:Order only as needed

# ACCESSORIES





## ACCESSORIES

Key No.	LV (+)	Parts Number	Parts Description	Qty	Standard	Class
1		X602-000080	TOOL,WRENCH	1	13*19 L180	D

Class : Consumable class

A:Fast moving parts B:Semi-fast moving parts C:Slow moving parts D:Order only as needed

## GUIDE BAR, CHAIN

Pitch ピッチ  (inch) (mm)	Gauge ゲージ  (inch) (mm)	Length 長さ  (cm)	Guide Bar ガイドバー		Saw Chain ソーチェーン		Hard Nose ハード ノーズ 	Sprocket Nose スプロケット ノーズ 
			Key №	Type 形式	Key №	Type 形式		
3/8 9.53	0.043 1.09	30	A1	C30S90-45SA- ET	A2	90PX-45E		●
3/8 9.53	0.050 1.27	30	B1	C30S91-47ML- EC	B2	91PX-47E		●
3/8 9.53	0.050 1.27	30	C1	C30S91-47ML- EC	C2	91VXL-47E		●
3/8 9.53	0.043 1.09	35	D1	C35S90-52SA- ET	D2	90PX-52E		●
3/8 9.53	0.050 1.27	35	E1	C35S91-53ML- EC	E2	91PX-53E		●
3/8 9.53	0.050 1.27	35	F1	C35S91-53ML- EC	F2	91VXL-53E		●
3/8 9.53	0.050 1.27	40	G1	C40S91-58AL- ET	G2	91PX-58E		●
3/8 9.53	0.050 1.27	40	H1	C40S91-58AL- ET	H2	91VXL-58E		●

## GUIDE BAR, CHAIN

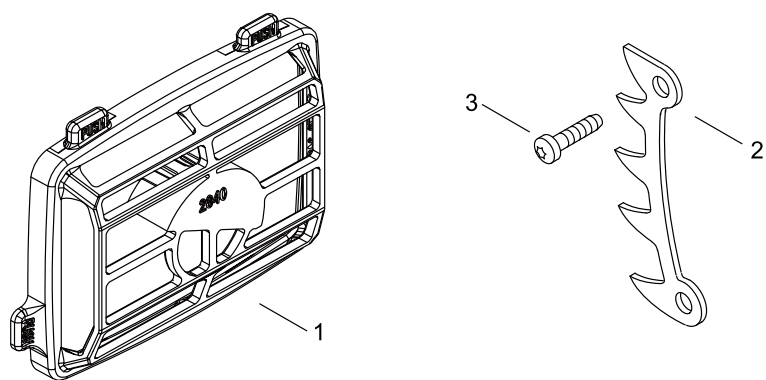
Key No.	LV (+)	Parts Number	Parts Description	Qty	Standard	Class
A1		X122-000181	BAR,GUIDE 30	1	C30S90-45SA- ET	A
A2		X222-000150	CHAIN,SAW	1	90PX-45E 43	A
B1		X122-000341	BAR,GUIDE 30	1	C30S91-47ML- EC	A
B2		X222-000140	CHAIN,SAW	1	91PX-47E	A
C1		X122-000341	BAR,GUIDE 30	1	C30S91-47ML- EC	A
C2		X222-000130	CHAIN,SAW	1	91VXL-47E	A
D1		X123-000231	BAR,GUIDE 35	1	C35S90-52SA- ET	A
D2		X223-000150	CHAIN,SAW	1	90PX-52E	A
E1		X123-000551	BAR,GUIDE 35	1	C35S91-53ML- EC	A
E2		X223-000130	CHAIN,SAW	1	91PX-53E	A
F1		X123-000551	BAR,GUIDE 35	1	C35S91-53ML- EC	A
F2		X223-000080	CHAIN,SAW	1	91VXL-53E	A
G1		X124-000720	BAR,GUIDE 40	1	C40S91-58AL- ET	A
G2		X224-000070	CHAIN,SAW	1	91PX-58E	A
H1		X124-000720	BAR,GUIDE 40	1	C40S91-58AL- ET	A
H2		X224-000030	CHAIN,SAW	1	91VXL-58E	A

Class : Consumable class

A:Fast moving parts B:Semi-fast moving parts C:Slow moving parts D:Order only as needed



# OPTION PARTS



## OPTION PARTS

Key No.	LV (+)	Parts Number	Parts Description	Qty	Standard	Class
1		A226-002340	ELEMENT, AIR FILTER	1	NYLON MESH	A
2		C304-000000	SPIKE	1		C
3		V805-000000	BOLT, TORX 5	1	TT-5*16 DG 10.9	C

Class : Consumable class

A:Fast moving parts B:Semi-fast moving parts C:Slow moving parts D:Order only as needed

# NUMERICAL PARTS INDEX

Part No	Part description	Page	Part No	Part description	Page	Part No	Part description	Page
100015-03931	CIRCLIP, PISTON PIN	2	A200-001260	INSULATOR, INTAKE	8	P003-006480	COVER, FUEL PUMP	10
100142-12330	KEY, WOODRUFF	6	A226-002340	ELEMENT, AIR FILTER	24	P003-006490	SHAFT-CHOKE(MOLD)	10
123110-03930	SCREW, PUMP COVER	10	A226-002350	ELEMENT, AIR FILTER	8	P022-001330	SPRING KIT, REWIND	14
123112-15030	DIAPHRAGM, FUEL PUMP	10	A238-000090	HOLDER, ELEMENT	8	P022-005891	GRIP, STARTER	14
123113-37530	SPRING, THROTTLE RTN	10	A241-000420	KNOB, CHOKE	4	P022-008440	ROPE, STARTER	14
123114-38830	SCREW	10	A310-000570	SCREEN, ARRESTOR	12	P022-033280	SPRING CASE	14
123122-03660	SPRING, METER. LEVER	10	A313-002110	GUIDE, EXHAUST	12	P022-055660	CASE,STARTER	14
123123-03930	LEVER, METERING	10	A356-000031	VALVE,CHECK	4	P022-055670	DRUM, STARTER	14
123125-15030	GASKET, FUEL PUMP	10	A369-000470	STRAINER, FUEL	4	P100-001900	STRAINER, OIL	4
123126-10631	SCREEN, INLET	10	A409-001180	ROTOR, MAGNETO	6	P100-009040	CAP ASY	4
123127-15030	RING	10	A411-001960	COIL, IGNITION	6	P100-009130	PISTON KIT	2
123130-02960	SCREW	10	A425-000000	SPARKPLUG	6	P100-009150	CRANKCASE KIT	2
123133-04260	SPRING, IDLE ADJUST	10	A426-000010	TERMINAL,SPARKPLUG	6	P100-009160	MUFFLER ASY	12
123134-04260	SCREW, IDLE ADJUST	10	A427-000013	CAP,SPARK PLUG	6	P100-009170	CLUTCH SHOE SET	18
123137-19830	VALVE, INLET NEEDLE	10	A443-000190	PLATE, CONTACT	8	P100-009200	CAP ASY	4
123138-03930	PIN, METERING LEVER	10	A444-000150	KNOB, SWITCH	8	P100-009570	CYLINDER COVER ASY	4
123140-03930	GASKET, M. DIAPHRAGM	10	A507-000110	CATCHER,PAWL	14	P100-009580	GUARD, SPROCKET ASY	18
123142-03930	COVER, M. DIAPHRAGM	10	A514-000020	PAWL	6	P100-009600	CRANKSHAFT ASY	2
123146-10631	PLUG, WELCH	10	A551-000210	PLATE, CLUTCH	18	P100-009610	COVER ENGINE ASY	4
123149-26030	WASHER	10	A552-000500	HUB, CLUTCH	18	V103-000500	GASKET,INTAKE	8
130338-32430	PLUG, COVER	4	A556-001880	DRUM, CLUTCH	18	V103-002160	GASKET,INTAKE	8
131051-19830	LINK	4	A566-000350	SPRING, CLUTCH	18	V103-002170	GASKET,INTAKE	8
132115-01462	GROMMET	4	C022-000190	AUTO-OILER ASSEMBLY	4	V104-002510	GASKET,EXHAUST	12
132115-46730	GROMMET, FUEL	4	C300-001190	GUARD, SPROCKET	18	V138-000030	GROMMET,OIL	4
150117-16430	SPACER	6	C304-000000	SPIKE	24	V186-000530	JOINT,PIPE	4
177234-35430	SPRING, RETURN	6	C309-000030	TENSIONER,CHAIN	18	V203-000110	BOLT,5	18
177236-61830	SCREW	14	C310-000110	CATCHER, CHAIN	4	V203-002250	BOLT,5	6
178810-03330	GROMMET	4	C320-000590	LEVER, BRAKE	18	V203-002260	BOLT,5	4
437210-30831	PIPE	4	C328-000030	BAND,BRAKE	18	V203-002270	BOLT,5	18
900515-00008	NUT, FLANGE	6	C334-000100	CONNECTOR, BRAKE	18	V265-000200	NUT	18
900700-00008	RETAINING RING, EXTERNAL-E	18	C345-000720	COVER,BRAKE	18	V306-000520	WASHER,CIRCULAR 8	2
900720-20029	O-RING	4	C410-001500	HANDLE, REAR	16	V355-000140	COLLAR,8	18
91449-04006	SCREW, TAPPING	4	C411-000280	LID,HANDLE	16	V450-000070	SPRING,COMPRESSION	18
93050-30098	ROLLER	18	C450-001080	TRIGGER,THROTTLE	16	V450-002370	SPRING,COMPRESSION	16
94095-36201	BEARING, BALL	2	C454-000610	ROD, THROTTLE	16	V450-002380	SPRING,COMPRESSION	16
A021-005280	CARBURETOR, DIAPHRAGM	8	C460-000530	LOCKOUT,THROTTLE	16	V450-002390	SPRING,COMPRESSION	16
A021-005280	CARBURETOR, DIAPHRAGM	10	P003-000310	VALVE THROTTLE	10	V452-000250	SPRING,TORSION	18
A035-000040	PUMP, FUEL	4	P003-000480	SHAFT,THROTTLE	10	V452-000850	SPRING,TORSION	16
A051-003490	STARTER,RECOIL ASY	14	P003-001510	LEVER-FAST IDLE	10	V452-001320	SPRING,TORSION	14
A056-000870	CLUTCH ASY	18	P003-001850	DIAPHRAGM, METERING	10	V471-001201	PIPE	4
A101-000160	RING, PISTON	2	P003-001960	VALVE, CHOKE	10	V471-001231	PIPE	4
A161-000420	DUCT, AIR	8	P003-002260	SPRING	10	V471-001241	PIPE	4
A172-003620	COVER,FAN	14	P003-004190	NEEDLE	10	V471-001281	PIPE	4
			P003-005400	SCREW	10	V485-003420	LEAD	8
			P003-006470	LEVER, THROTTLE	10	V485-003510	LEAD	6

# NUMERICAL PARTS INDEX

Part No	Part description	Page
V490-001240	CLIP	4
V490-001730	CLIP	4
V505-000011	SEAL,OIL 12	2
V554-000030	BEARING,NEEDLE 9	2
V555-000170	BEARING,NEEDLE 10	18
V581-000600	RING,O	4
V607-000000	PIN,ENG 9	2
V651-000001	GEAR,BEVEL	18
V651-000011	GEAR,BEVEL	18
V652-000280	GEAR,WORM	18
V804-000000	BOLT, TORX 4	18
V804-000070	BOLT, TORX 4	8
V805-000000	BOLT, TORX 5	16
V805-000000	BOLT, TORX 5	24
V805-000010	BOLT, TORX 5	14
V805-000080	BOLT, TORX 5	8
V805-000120	BOLT, TORX 5	12
V805-000210	BOLT, TORX 5	2
V805-000210	BOLT, TORX 5	4
V805-000210	BOLT, TORX 5	6
V805-000250	BOLT, TORX 5	12
V805-000390	BOLT, TORX 5	16
X122-000181	BAR,GUIDE 30	22
X122-000341	BAR,GUIDE 30	22
X123-000231	BAR,GUIDE 35	22
X123-000551	BAR,GUIDE 35	22
X124-000720	BAR,GUIDE 40	22
X222-000130	CHAIN,SAW	22
X222-000140	CHAIN,SAW	22
X222-000150	CHAIN,SAW	22
X223-000080	CHAIN,SAW	22
X223-000130	CHAIN,SAW	22
X223-000150	CHAIN,SAW	22
X224-000030	CHAIN,SAW	22
X224-000070	CHAIN,SAW	22
X502-001250	LABEL,ECHO	18
X503-015560	LABEL,MODEL	4
X505-011340	LABEL,CAUTION	4
X547-003640	LABEL,ECHO	14
X602-000080	TOOL,WRENCH	20