

CS-3510AC

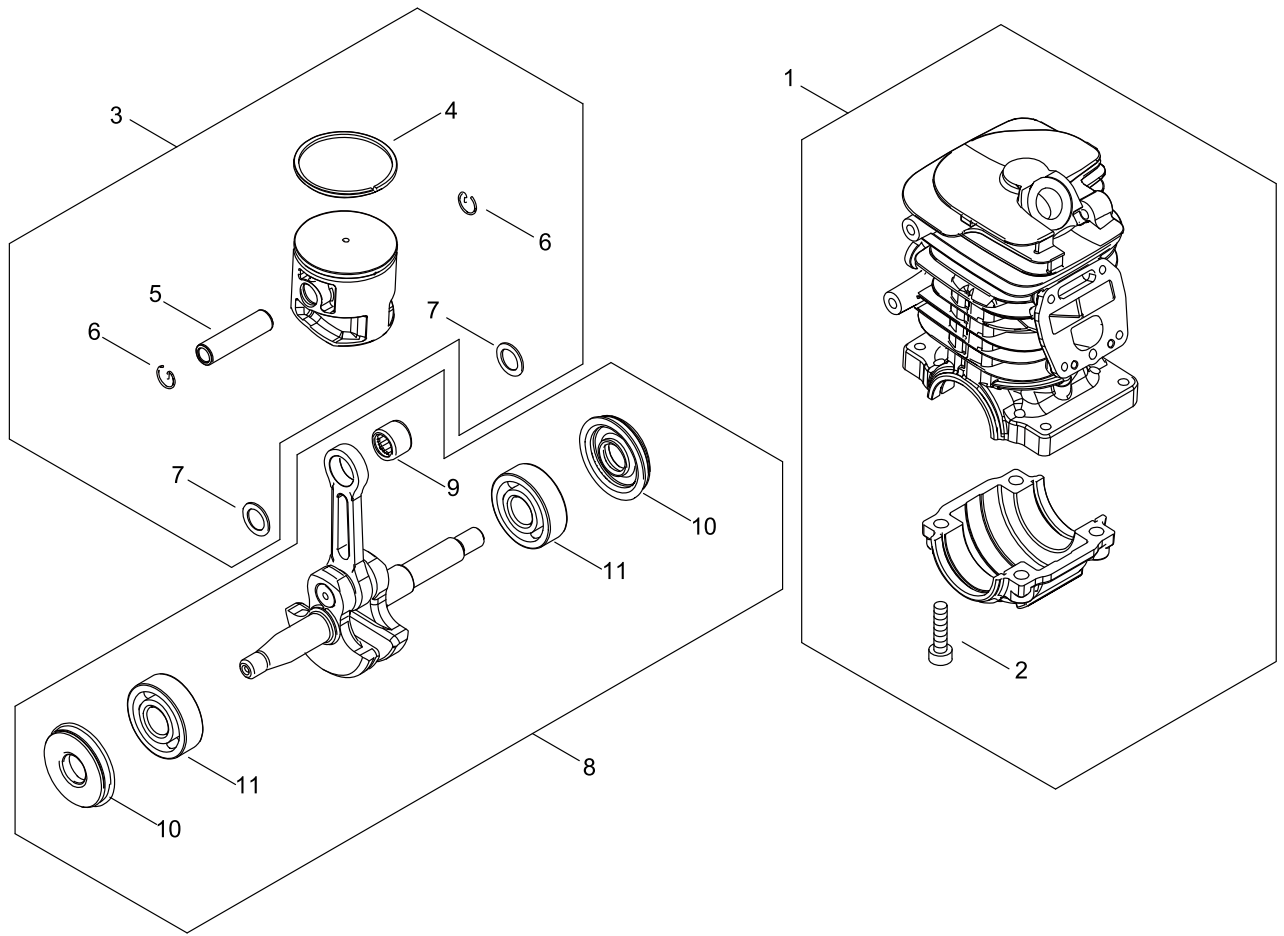
Serial number: 38000001-38999999

Last update date: 08/26/2020

TABLE OF CONTENTS

CYLINDER, PISTON, CRANKSHAFT.....	1
ENGINE COVER.....	3
MAGNETO.....	5
AIR CLEANER, CARBURETOR.....	7
CARBURETOR.....	9
MUFFLER.....	11
RECOIL STARTER.....	13
HANDLE.....	15
CHAIN BRAKE.....	17
ACCESSORIES.....	19
GUIDE BAR, CHAIN.....	21
OPTION PARTS.....	23

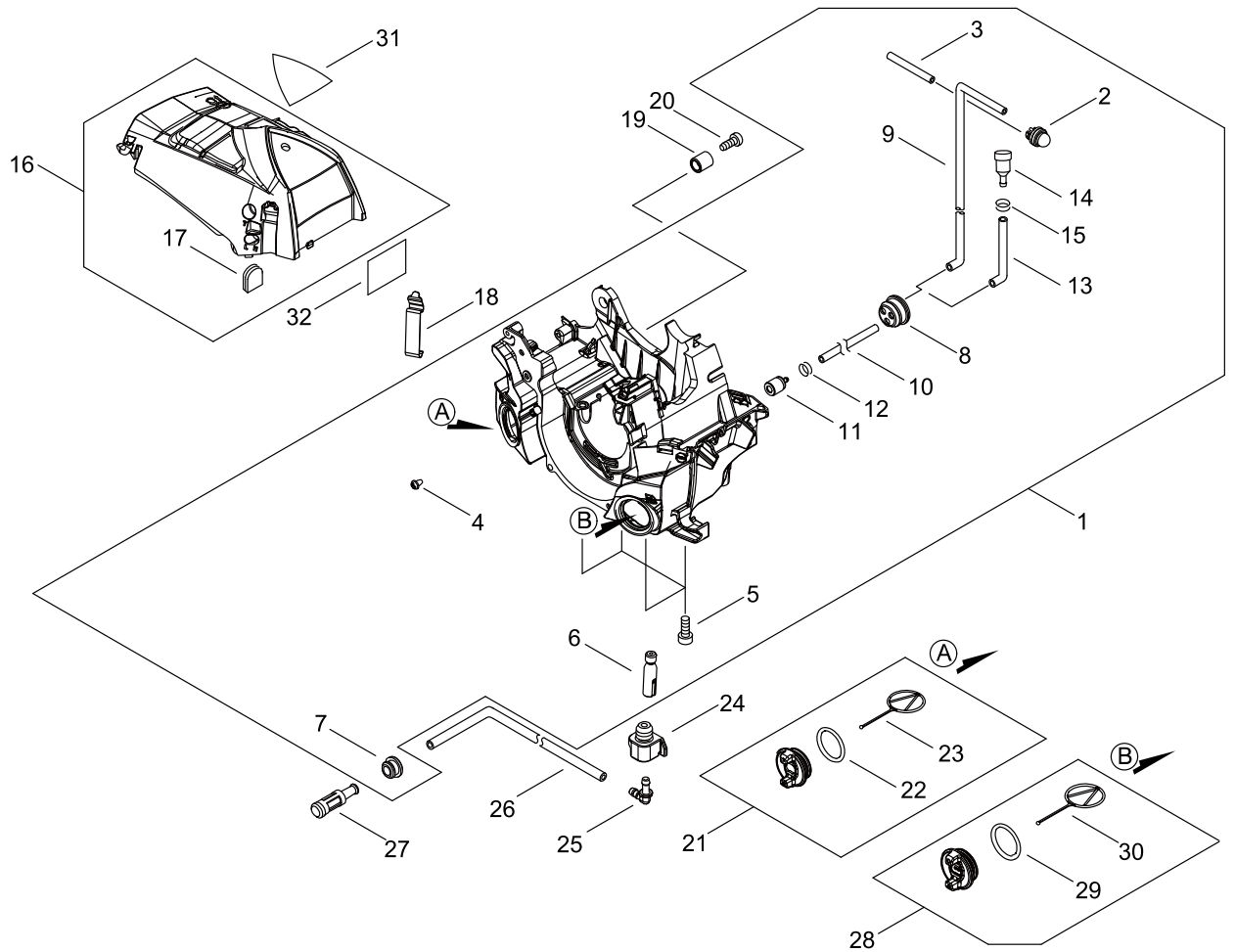
CYLINDER, PISTON, CRANKSHAFT



CYLINDER, PISTON, CRANKSHAFT

Key No.	LV (+)	Part No	Description	Qty	Standard
1		P100-009150	CRANKCASE KIT	1	
2	+	V805-000210	BOLT, TORX 5	4	TB-5*20 12.9
3		P100-009130	PISTON KIT	1	
4	+	A101-000160	RING, PISTON	1	40*B1.5*T1.8
5	+	V607-000000	PIN,ENG 9	1	
6	+	100015-03931	CIRCLIP, PISTON PIN	2	
7	+	V306-000520	WASHER,CIRCULAR 8	2	9.2*14*T0.8
8		P100-009140	CRANKSHAFT ASY	1	
9	++	V554-000030	BEARING,NEEDLE 9	1	HK0910MPX1V2
10	+	V505-000011	SEAL,OIL 12	2	12*32*5.5
11	+	94095-36201	BEARING, BALL	2	6201

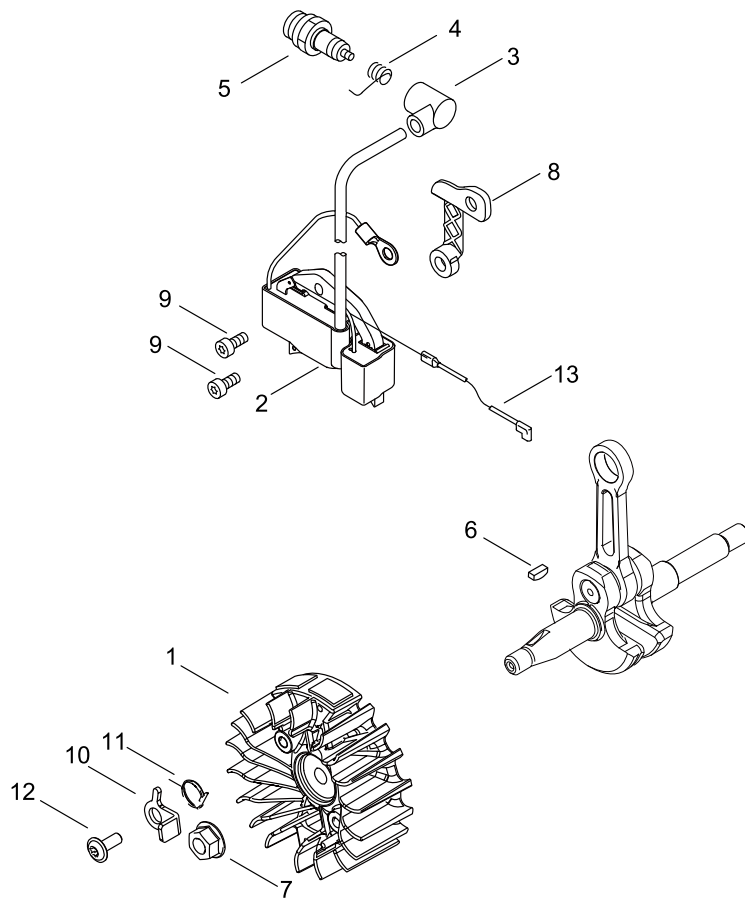
ENGINE COVER



ENGINE COVER

Key No.	LV (+)	Part No	Description	Qty	Standard
1		P100-009560	COVER ENGINE ASY	1	
2	+	A035-000040	PUMP, FUEL	1	188-554-A
3	+	V471-001321	PIPE	1	2.4*5*90
4	+	91449-04006	SCREW, TAPPING	1	4*6
5	+	V805-000210	BOLT, TORX 5	4	TB-5*20 12.9
6	+	C022-000190	AUTO-OILER ASSEMBLY	1	
7	+	132115-01462	GROMMET	1	
8	+	132115-46730	GROMMET, FUEL	1	
9	+	V471-001241	PIPE	1	2.4*5*140
10	+	V471-001231	PIPE	1	3*5*210
11	+	A369-000470	STRAINER, FUEL	1	
12	+	V490-001240	CLIP	1	
13	+	V471-001201	PIPE	1	3*5*70
14	+	A356-000031	VALVE,CHECK	1	
15	+	V490-001240	CLIP	1	
16		P100-009570	CYLINDER COVER ASY	1	
17	+	130338-32430	PLUG, COVER	1	
18		V490-001730	CLIP	2	
19		C310-000110	CATCHER, CHAIN	1	
20		V203-002260	BOLT,5	1	
21		P100-009040	CAP ASY	1	
22	+	900720-20029	O-RING	1	P-29
23	+	131051-19830	LINK	1	60L
24		V138-000030	GROMMET,OIL	1	
25		V186-000530	JOINT,PIPE	1	
26		437210-30831	PIPE	1	3*6*210
27		P100-001900	STRAINER, OIL	1	
28		P100-009200	CAP ASY	1	
29	+	V581-000600	RING,O	1	P29
30	+	131051-19830	LINK	1	60L
31		X503-015570	LABEL,MODEL	1	CS-3510AC
32		X505-011340	LABEL,CAUTION	1	25.5*55

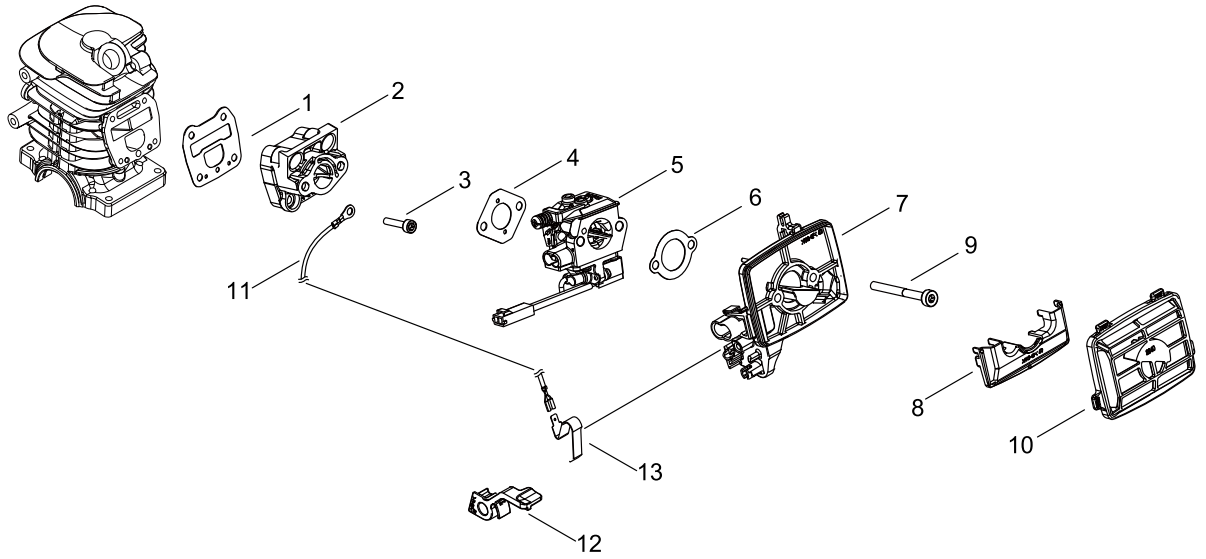
MAGNETO



MAGNETO

Key No.	LV (+)	Part No	Description	Qty	Standard
1		A409-000350	ROTOR, MAGNETO	1	WALBRO FW57
2		A411-001900	COIL, IGNITION	1	WALBRO MBU-108
3		A427-000020	CAP, SPARK PLUG	1	
4		A426-000020	TERMINAL, SPARKPLUG	1	
5		A425-000000	SPARKPLUG	1	BPMR8Y
6		100142-12330	KEY, WOODRUFF	1	
7		900515-00008	NUT, FLANGE	1	8
8		V376-002500	SPACER	1	
9		V805-000210	BOLT, TORX 5	2	TB-5*20 12.9
10		A514-000020	PAWL	2	
11		177234-35430	SPRING, RETURN	2	
12		V203-002250	BOLT, 5	2	
13		V485-003430	LEAD	1	AV0.5F-L:185

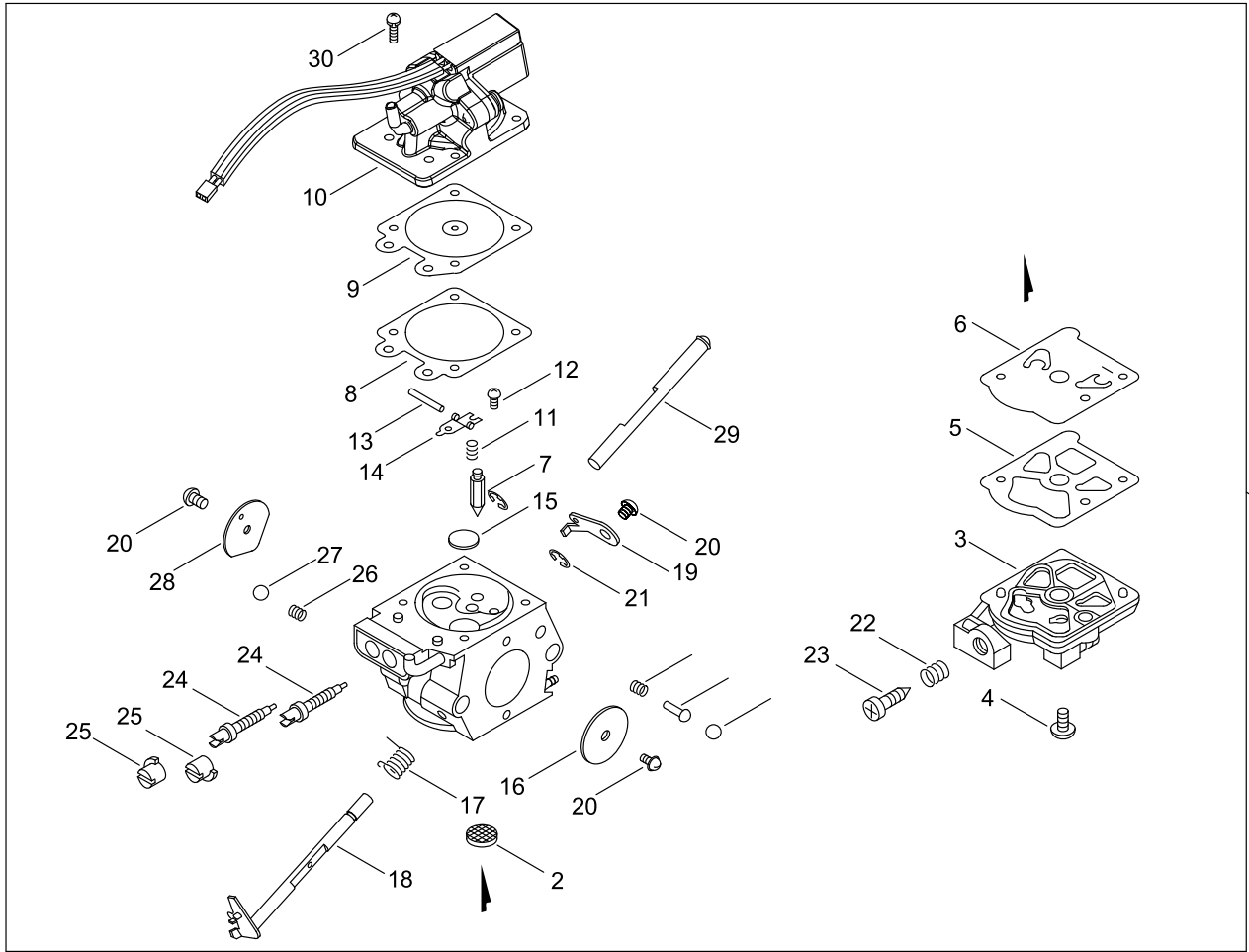
AIR CLEANER, CARBURETOR



AIR CLEANER, CARBURETOR

Key No.	LV (+)	Part No	Description	Qty	Standard
1		V103-002160	GASKET,INTAKE	1	
2		A200-001260	INSULATOR, INTAKE	1	
3		V804-000070	BOLT, TORX 4	4	TB-4*20 12.9
4		V103-002170	GASKET,INTAKE	1	
5		A021-005190	CARBURETOR, DIAPHRAGM	1	WT-1237
6		V103-000500	GASKET,INTAKE	1	ASK NO.4600
7		A238-000090	HOLDER, ELEMENT	1	
8		A161-000420	DUCT, AIR	1	
9		V805-000080	BOLT, TORX 5	2	TB-5*50 10.9
10		A226-002350	ELEMENT, AIR FILTER	1	
11		V485-003420	LEAD	1	
12		A444-000150	KNOB, SWITCH	1	
13		A443-000190	PLATE, CONTACT	1	

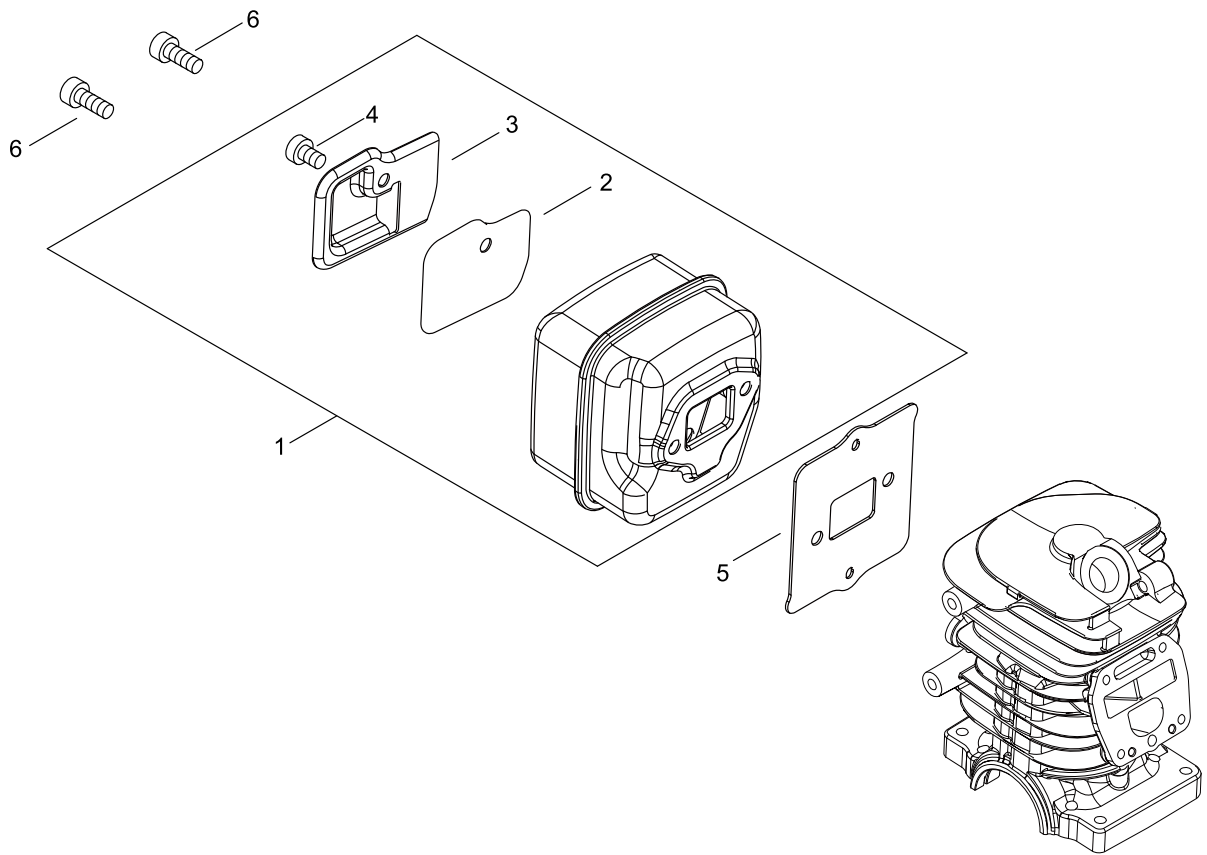
CARBURETOR



CARBURETOR

Key No.	LV (+)	Part No	Description	Qty	Standard
1		A021-005190	CARBURETOR, DIAPHRAGM	1	WT-1237
2	+	123126-10631	SCREEN, INLET	1	
3	+	123124-09520	COVER, FUEL PUMP	1	
4	+	123110-03930	SCREW, PUMP COVER	1	
5	+	123125-15030	GASKET, FUEL PUMP	1	
6	+	123112-15030	DIAPHRAGM, FUEL PUMP	1	
7	+	123137-19830	VALVE, INLET NEEDLE	1	
8	+	P003-006020	GASKET, M. DIAPHRAGM	1	
9	+	P003-001850	DIAPHRAGM, METERING	1	
10	+	P003-006460	COVER ASY, METERING	1	
11	+	123122-03660	SPRING, METER. LEVER	1	
12	+	123139-03930	SCREW, M. LEVER PIN	1	
13	+	123138-03930	PIN, METERING LEVER	1	
14	+	123123-03930	LEVER, METERING	1	
15	+	123146-10631	PLUG, WELCH	1	
16	+	P003-000310	VALVE THROTTLE	1	
17	+	123113-37530	SPRING, THROTTLE RTN	1	
18	+	P003-000480	SHAFT, THROTTLE	1	
19	+	P003-006470	LEVER, THROTTLE	1	
20	+	123114-38830	SCREW	3	
21	+	123127-15030	RING	1	
22	+	123133-04260	SPRING, IDLE ADJUST	1	
23	+	123134-04260	SCREW, IDLE ADJUST	1	
24	+	P003-004820	NEEDLE	2	
25	+	P003-000010	LIMITER CAP	2	
26	+	123135-10630	SPRING, CHOKE FRICT.	1	
27	+	123136-10630	BALL, CHOKE FRICTION	1	
28	+	P003-003350	CHOKE VALVE	1	
29	+	P003-006050	SHAFT-CHOKE	1	
30	+	P003-006060	SCREW	4	

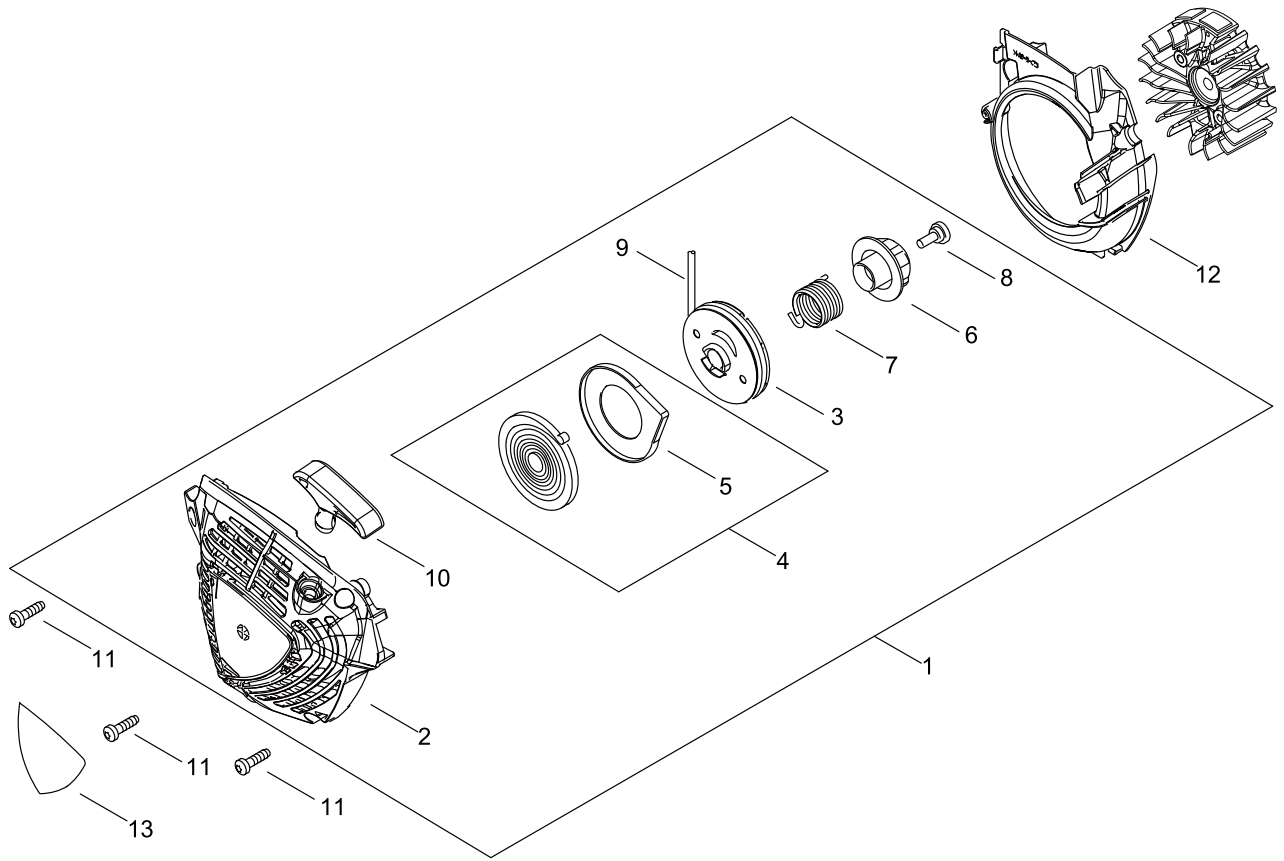
MUFFLER



MUFFLER

Key No.	LV (+)	Part No	Description	Qty	Standard
1		P100-009160	MUFFLER ASY	1	
2	+	A310-000570	SCREEN, ARRESTOR	1	0.34X30
3	+	A313-002110	GUIDE, EXHAUST	1	T0.8 ID#2720
4	+	V805-000120	BOLT, TORX 5	1	TB-5*8 10.9
5		V104-002510	GASKET,EXHAUST	1	
6		V805-000250	BOLT, TORX 5	2	TB-5*16 12.9

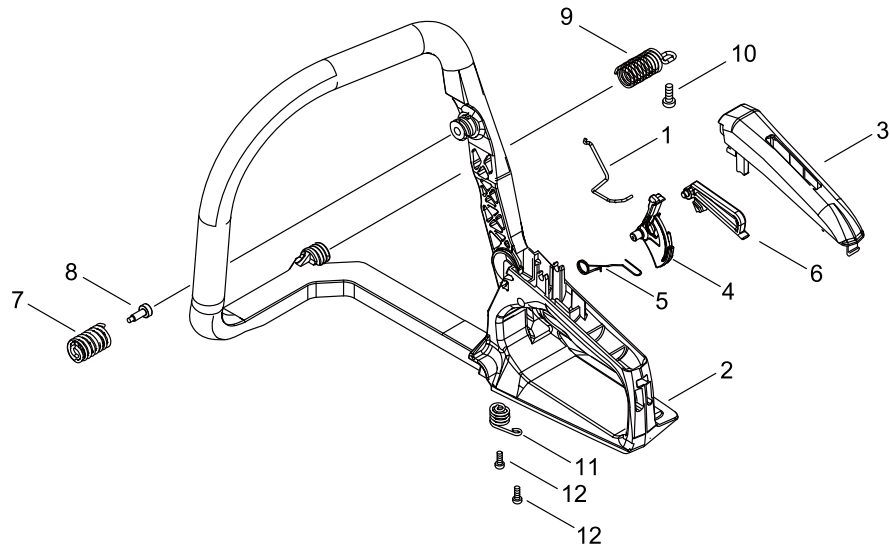
RECOIL STARTER



RECOIL STARTER

Key No.	LV (+)	Part No	Description	Qty	Standard
1		A051-003490	STARTER,RECOIL ASY	1	
2	+	P022-055660	CASE,STARTER	1	
3	+	P022-055670	DRUM, STARTER	1	
4	+	P022-001330	SPRING KIT, REWIND	1	
5	++	P022-033280	SPRING CASE	1	
6	+	A507-000110	CATCHER,PAWL	1	
7	+	V452-001320	SPRING,TORSION	1	
8	+	177236-61830	SCREW	1	
9	+	P022-008440	ROPE, STARTER	1	3.5*900
10	+	P022-005891	GRIP, STARTER	1	
11		V805-000010	BOLT, TORX 5	3	TT-5*20 DG 10.9
12		A172-003620	COVER,FAN	1	
13		X547-003650	LABEL,ECHO	1	ECHO+ CS-3510AC

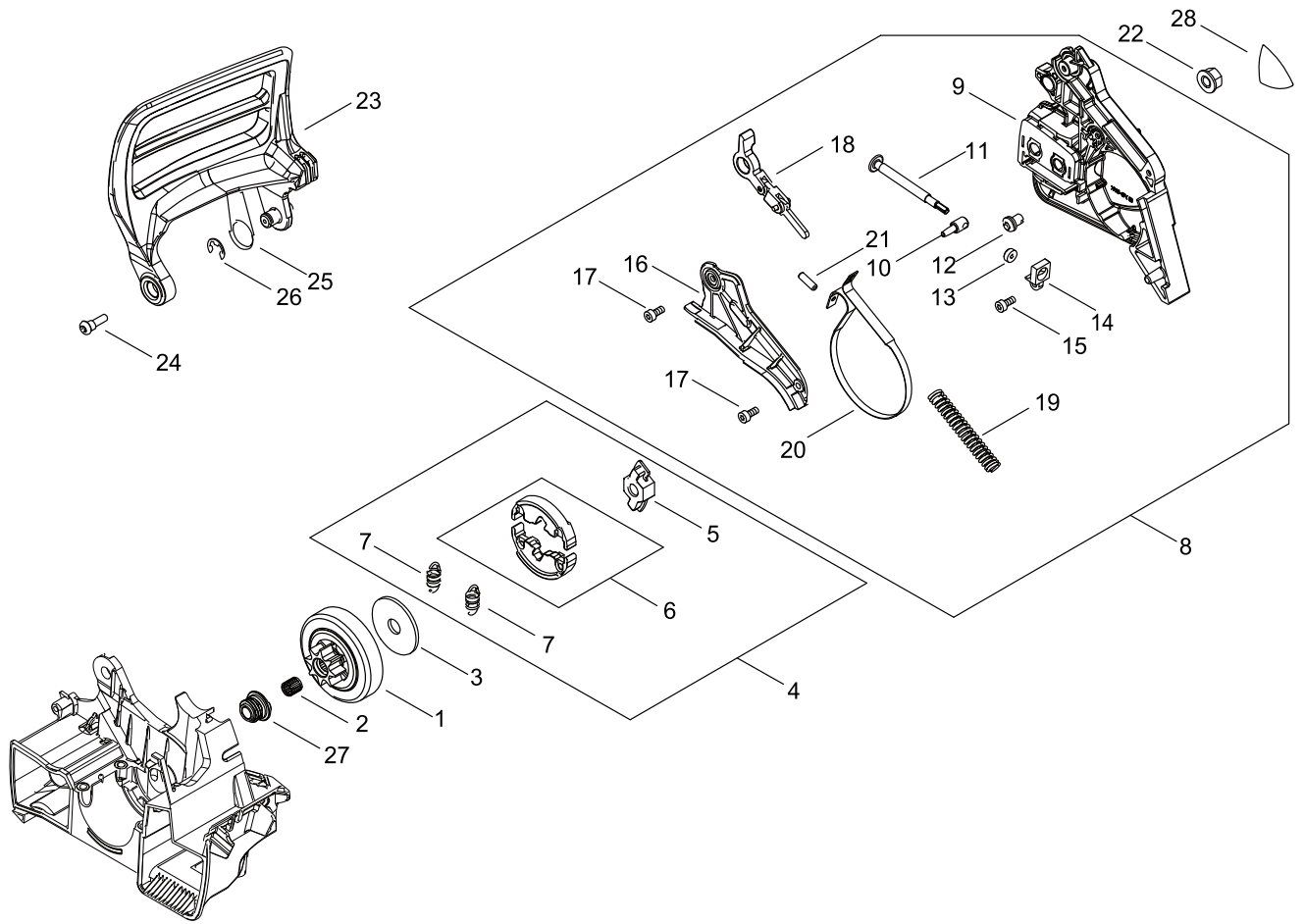
HANDLE



HANDLE

Key No.	LV (+)	Part No	Description	Qty	Standard
1		C454-000610	ROD, THROTTLE	1	
2		C410-001500	HANDLE, REAR	1	
3		C411-000280	LID,HANDLE	1	
4		C450-001080	TRIGGER,THROTTLE	1	
5		V452-000850	SPRING,TORSION	1	
6		C460-000530	LOCKOUT,THROTTLE	1	
7		V450-002370	SPRING,COMPRESSION	1	
8		V805-000390	BOLT, TORX 5	1	TB-5*16 10.9
9		V450-002380	SPRING,COMPRESSION	1	
10		V805-000000	BOLT, TORX 5	1	TT-5*16 DG 10.9
11		V450-002390	SPRING,COMPRESSION	1	
12		V805-000000	BOLT, TORX 5	2	TT-5*16 DG 10.9

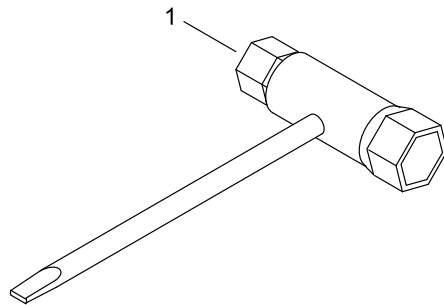
CHAIN BRAKE



CHAIN BRAKE

Key No.	LV (+)	Part No	Description	Qty	Standard
1		A556-001880	DRUM, CLUTCH	1	3/8
2		V555-000170	BEARING, NEEDLE 10	1	8E- KV10*13*12.8
3		A551-000210	PLATE, CLUTCH	1	
4		A056-000870	CLUTCH ASY	1	
5	+	A552-000500	HUB, CLUTCH	1	
6	+	P100-009170	CLUTCH SHOE SET	1	
7	+	A566-000350	SPRING, CLUTCH	2	
8		P100-009580	GUARD, SPROCKET ASY	1	
9	+	C300-001190	GUARD, SPROCKET	1	
10	+	C309-000030	TENSIONER, CHAIN	1	
11	+	V203-000110	BOLT, 5	1	
12	+	V651-000001	GEAR, BEVEL	1	
13	+	V651-000011	GEAR, BEVEL	1	
14	+	V355-000140	COLLAR, 8	1	
15	+	V804-000000	BOLT, TORX 4	1	TT-4*12 DG 10.9
16	+	C345-000720	COVER, BRAKE	1	
17	+	V804-000000	BOLT, TORX 4	2	TT-4*12 DG 10.9
18	+	C334-000100	CONNECTOR, BRAKE	1	
19	+	V450-000070	SPRING, COMPRESSION	1	
20	+	C328-000030	BAND, BRAKE	1	
21	+	93050-30098	ROLLER	1	3*9.8
22		V265-000200	NUT	2	
23		C320-000590	LEVER, BRAKE	1	
24		V203-002270	BOLT, 5	1	
25		V452-000250	SPRING, TORSION	1	
26		900700-00008	RETAINING RING, EXTERNAL-E	1	CE-8
27		V652-000280	GEAR, WORM	1	
28		X502-001250	LABEL, ECHO	1	ECHO



ACCESSORIES



ACCESSORIES

Key No.	LV (+)	Part No	Description	Qty	Standard
1		X602-000080	TOOL,WRENCH	1	13*19 L180

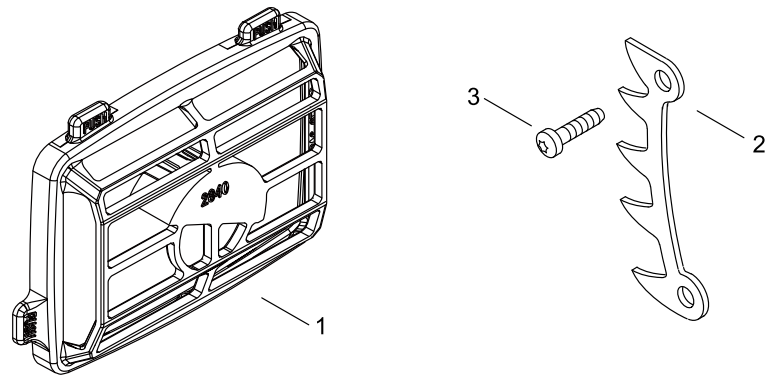
GUIDE BAR, CHAIN

Pitch ピッチ (inch) (mm)	Gauge ゲージ (inch) (mm)	Length 長さ (cm)	Guide Bar ガイドバー		Saw Chain ソーチェーン		Hard Nose ハード ノーズ 	Sprocket Nose スプロケット ノーズ 
			Key №	Type 形式	Key №	Type 形式		
3/8 9.53	0.043 1.09	30	A1	C30S90-45SA- ET	A2	90PX-45E		●
3/8 9.53	0.050 1.27	30	B1	C30S91-47ML- EC	B2	91PX-47E		●
3/8 9.53	0.050 1.27	30	C1	C30S91-47ML- EC	C2	91VXL-47E		●
3/8 9.53	0.043 1.09	35	D1	C35S90-52SA- ET	D2	90PX-52E		●
3/8 9.53	0.050 1.27	35	E1	C35S91-53ML- EC	E2	91PX-53E		●
3/8 9.53	0.050 1.27	35	F1	C35S91-53ML- EC	F2	91VXL-53E		●
3/8 9.53	0.050 1.27	40	G1	C40S91-58AL- ET	G2	91PX-58E		●
3/8 9.53	0.050 1.27	40	H1	C40S91-58AL- ET	H2	91VXL-58E		●

GUIDE BAR, CHAIN

Key No.	LV (+)	Part No	Description	Qty	Standard
A1		X122-000181	BAR,GUIDE 30	1	C30S90-45SA-ET
A2		X222-000150	CHAIN,SAW	1	90PX-45E 43
B1		X122-000341	BAR,GUIDE 30	1	C30S91-47ML-EC
B2		X222-000140	CHAIN,SAW	1	91PX-47E
C1		X122-000341	BAR,GUIDE 30	1	C30S91-47ML-EC
C2		X222-000130	CHAIN,SAW	1	91VXL-47E
D1		X123-000231	BAR,GUIDE 35	1	C35S90-52SA-ET
D2		X223-000150	CHAIN,SAW	1	90PX-52E
E1		X123-000551	BAR,GUIDE 35	1	C35S91-53ML-EC
E2		X223-000130	CHAIN,SAW	1	91PX-53E
F1		X123-000551	BAR,GUIDE 35	1	C35S91-53ML-EC
F2		X223-000080	CHAIN,SAW	1	91VXL-53E
G1		X124-000720	BAR,GUIDE 40	1	C40S91-58AL-ET
G2		X224-000070	CHAIN,SAW	1	91PX-58E
H1		X124-000720	BAR,GUIDE 40	1	C40S91-58AL-ET
H2		X224-000030	CHAIN,SAW	1	91VXL-58E

OPTION PARTS



OPTION PARTS

Key No.	LV (+)	Part No	Description	Qty	Standard
1		A226-002340	ELEMENT, AIR FILTER	1	
2		C304-000000	SPIKE	1	
3		V805-000000	BOLT, TORX 5	1	TT-5*16 DG 10.9

NUMERICAL PARTS INDEX

Part No	Part description	Page	Part No	Part description	Page	Part No	Part description	Page
100015-03931	CIRCLIP, PISTON PIN	2	A238-000090	HOLDER, ELEMENT	8	P022-008440	ROPE, STARTER	14
100142-12330	KEY, WOODRUFF	6	A310-000570	SCREEN, ARRESTOR	12	P022-033280	SPRING CASE	14
123110-03930	SCREW, PUMP COVER	10	A313-002110	GUIDE, EXHAUST	12	P022-055660	CASE,STARTER	14
123112-15030	DIAPHRAGM, FUEL PUMP	10	A356-000031	VALVE,CHECK	4	P022-055670	DRUM, STARTER	14
123113-37530	SPRING, THROTTLE RTN	10	A369-000470	STRAINER, FUEL	4	P100-001900	STRAINER, OIL	4
123114-38830	SCREW	10	A409-000350	ROTOR, MAGNETO	6	P100-009040	CAP ASY	4
123122-03660	SPRING, METER. LEVER	10	A411-001900	COIL, IGNITION	6	P100-009130	PISTON KIT	2
123123-03930	LEVER, METERING	10	A425-000000	SPARKPLUG	6	P100-009140	CRANKSHAFT ASY	2
123124-09520	COVER, FUEL PUMP	10	A426-000020	TERMINAL,SPARKPLUG	6	P100-009150	CRANKCASE KIT	2
123125-15030	GASKET, FUEL PUMP	10	A427-000020	CAP,SPARK PLUG	6	P100-009160	MUFFLER ASY	12
123126-10631	SCREEN, INLET	10	A443-000190	PLATE, CONTACT	8	P100-009170	CLUTCH SHOE SET	18
123127-15030	RING	10	A444-000150	KNOB, SWITCH	8	P100-009200	CAP ASY	4
123133-04260	SPRING, IDLE ADJUST	10	A507-000110	CATCHER,PAWL	14	P100-009560	COVER ENGINE ASY	4
123134-04260	SCREW, IDLE ADJUST	10	A514-000020	PAWL	6	P100-009570	CYLINDER COVER ASY	4
123135-10630	SPRING, CHOKE FRICT.	10	A551-000210	PLATE, CLUTCH	18	P100-009580	GUARD, SPROCKET ASY	18
123136-10630	BALL, CHOKE FRICTION	10	A552-000500	HUB, CLUTCH	18	V103-000500	GASKET,INTAKE	8
123137-19830	VALVE, INLET NEEDLE	10	A556-001880	DRUM, CLUTCH	18	V103-002160	GASKET,INTAKE	8
123138-03930	PIN, METERING LEVER	10	A566-000350	SPRING, CLUTCH	18	V103-002170	GASKET,INTAKE	8
123139-03930	SCREW, M. LEVER PIN	10	C022-000190	AUTO-OILER ASSEMBLY	4	V104-002510	GASKET,EXHAUST	12
123146-10631	PLUG, WELCH	10	C300-001190	GUARD, SPROCKET	18	V138-000030	GROMMET,OIL	4
130338-32430	PLUG, COVER	4	C304-000000	SPIKE	24	V186-000530	JOINT,PIPE	4
131051-19830	LINK	4	C309-000030	TENSIONER,CHAIN	18	V203-000110	BOLT,5	18
132115-01462	GROMMET	4	C310-000110	CATCHER, CHAIN	4	V203-002250	BOLT,5	6
132115-46730	GROMMET, FUEL	4	C320-000590	LEVER, BRAKE	18	V203-002260	BOLT,5	4
177234-35430	SPRING, RETURN	6	C328-000030	BAND,BRAKE	18	V203-002270	BOLT,5	18
177236-61830	SCREW	14	C334-000100	CONNECTOR, BRAKE	18	V265-000200	NUT	18
437210-30831	PIPE	4	C345-000720	COVER,BRAKE	18	V306-000520	WASHER,CIRCULAR 8	2
900515-00008	NUT, FLANGE	6	C410-001500	HANDLE, REAR	16	V355-000140	COLLAR,8	18
900700-00008	RETAINING RING, EXTERNAL-E	18	C411-000280	LID,HANDLE	16	V376-002500	SPACER	6
900720-20029	O-RING	4	C450-001080	TRIGGER,THROTTLE	16	V450-000070	SPRING,COMPRESSION	18
91449-04006	SCREW, TAPPING	4	C454-000610	ROD, THROTTLE	16	V450-002370	SPRING,COMPRESSION	16
93050-30098	ROLLER	18	C460-000530	LOCKOUT,THROTTLE	16	V450-002380	SPRING,COMPRESSION	16
94095-36201	BEARING, BALL	2	P003-000010	LIMITER CAP	10	V450-002390	SPRING,COMPRESSION	16
A021-005190	CARBURETOR, DIAPHRAGM	8	P003-000310	VALVE THROTTLE	10	V452-000250	SPRING,TORSION	18
A021-005190	CARBURETOR, DIAPHRAGM	10	P003-000480	SHAFT,THROTTLE	10	V452-000850	SPRING,TORSION	16
A035-000040	PUMP, FUEL	4	P003-001850	DIAPHRAGM, METERING	10	V452-001320	SPRING,TORSION	14
A051-003490	STARTER,RECOIL ASY	14	P003-003350	CHOKE VALVE	10	V471-001201	PIPE	4
A056-000870	CLUTCH ASY	18	P003-004820	NEEDLE	10	V471-001231	PIPE	4
A101-000160	RING, PISTON	2	P003-006020	GASKET, M. DIAPHRAGM	10	V471-001241	PIPE	4
A161-000420	DUCT, AIR	8	P003-006050	SHAFT-CHOKE	10	V471-001321	PIPE	4
A172-003620	COVER,FAN	14	P003-006060	SCREW	10	V485-003420	LEAD	8
A200-001260	INSULATOR, INTAKE	8	P003-006460	COVER ASY, METERING	10	V485-003430	LEAD	6
A226-002340	ELEMENT, AIR FILTER	24	P003-006470	LEVER, THROTTLE	10	V490-001240	CLIP	4
A226-002350	ELEMENT, AIR FILTER	8	P022-001330	SPRING KIT, REWIND	14	V490-001730	CLIP	4
			P022-005891	GRIP, STARTER	14	V505-000011	SEAL,OIL 12	2

NUMERICAL PARTS INDEX

Part No	Part description	Page
V554-000030	BEARING,NEEDLE 9	2
V555-000170	BEARING,NEEDLE 10	18
V581-000600	RING,O	4
V607-000000	PIN,ENG 9	2
V651-000001	GEAR,BEVEL	18
V651-000011	GEAR,BEVEL	18
V652-000280	GEAR,WORM	18
V804-000000	BOLT, TORX 4	18
V804-000070	BOLT, TORX 4	8
V805-000000	BOLT, TORX 5	16
V805-000000	BOLT, TORX 5	24
V805-000010	BOLT, TORX 5	14
V805-000080	BOLT, TORX 5	8
V805-000120	BOLT, TORX 5	12
V805-000210	BOLT, TORX 5	2
V805-000210	BOLT, TORX 5	4
V805-000210	BOLT, TORX 5	6
V805-000250	BOLT, TORX 5	12
V805-000390	BOLT, TORX 5	16
X122-000181	BAR,GUIDE 30	22
X122-000341	BAR,GUIDE 30	22
X123-000231	BAR,GUIDE 35	22
X123-000551	BAR,GUIDE 35	22
X124-000720	BAR,GUIDE 40	22
X222-000130	CHAIN,SAW	22
X222-000140	CHAIN,SAW	22
X222-000150	CHAIN,SAW	22
X223-000080	CHAIN,SAW	22
X223-000130	CHAIN,SAW	22
X223-000150	CHAIN,SAW	22
X224-000030	CHAIN,SAW	22
X224-000070	CHAIN,SAW	22
X502-001250	LABEL,ECHO	18
X503-015570	LABEL,MODEL	4
X505-011340	LABEL,CAUTION	4
X547-003650	LABEL,ECHO	14
X602-000080	TOOL,WRENCH	20