

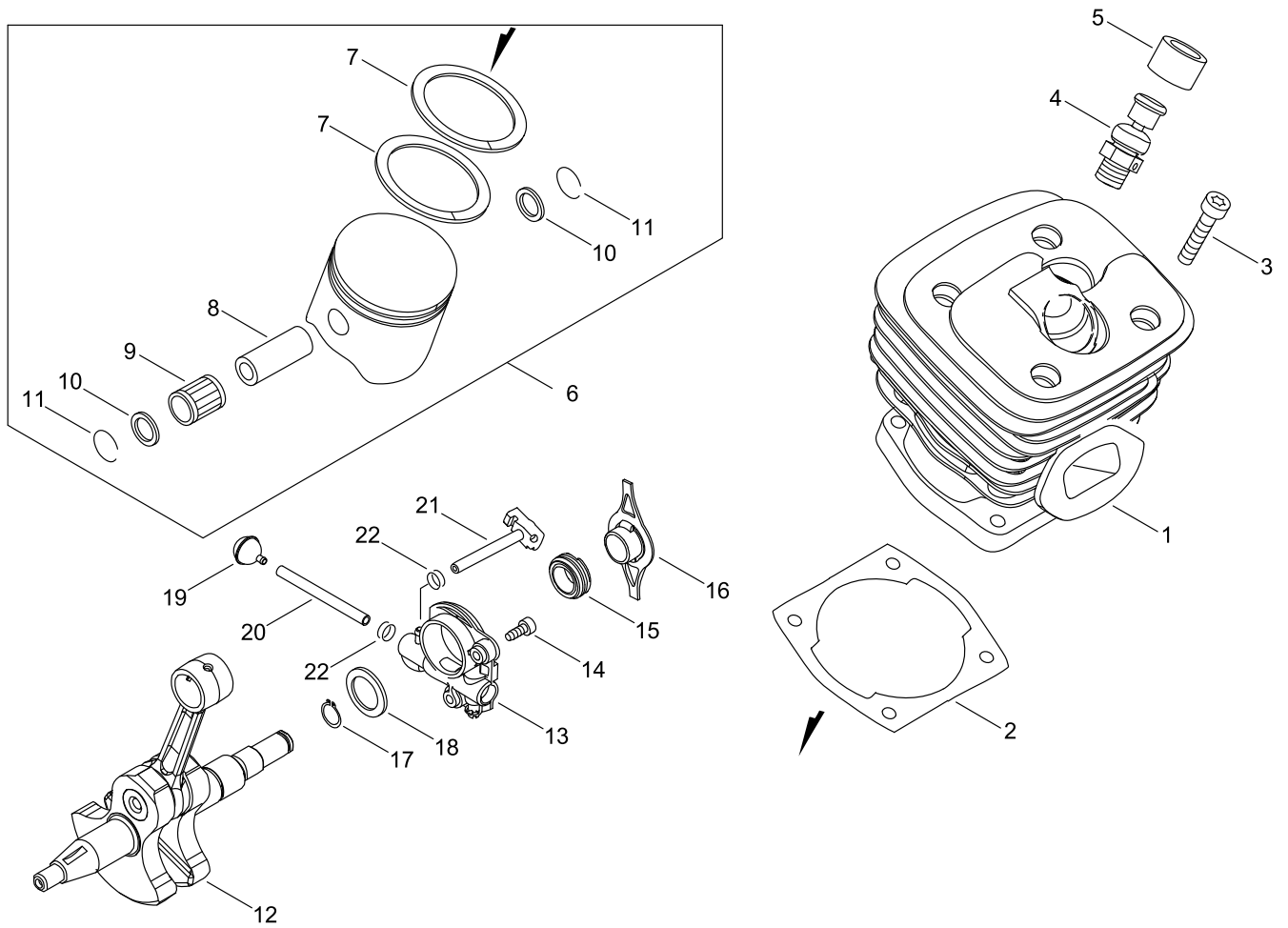
CS-621SX

Published:09/18/2019

TABLE OF CONTENTS

CYLINDER, PISTON, CRANKSHAFT.....	1
CRANKCASE	3
MAGNETO.....	5
AIR CLEANER, CARBURETOR.....	7
CARBURETOR.....	9
MUFFLER	11
RECOIL STARTER.....	13
HANDLE	15
CHAIN BRAKE.....	17
ACCESSORIES	19
OILER.....	21
GUIDE BAR, CHAIN	23

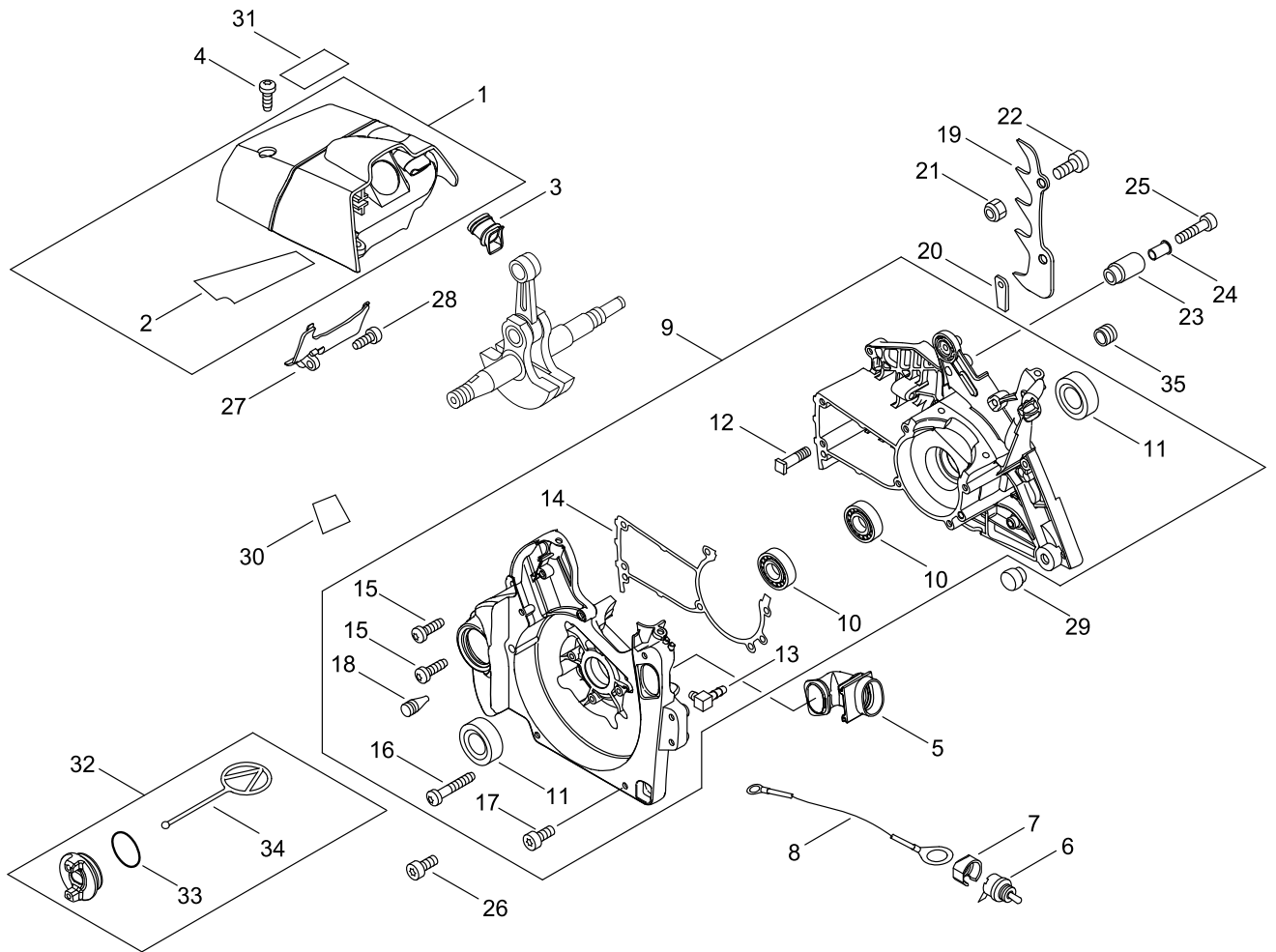
CYLINDER, PISTON, CRANKSHAFT



CYLINDER, PISTON, CRANKSHAFT

KEY NO	LV(+)	Part No	Description	Qty	Standard	Comment
1		A130-002420	CYLINDER	1		
2		V100-000270	GASKET,CYL	1		
3		V805-000220	BOLT, TORX 5	4	TB-5*25 12.9	
4		A014-000110	RELEASE ASY., COMP.	1		
5		V141-000090	GROMMET,PLUG	1		
6		P100-008850	PISTON KIT	1		
7	+	A101-000780	RING, PISTON	2	45*1.2*1.7	
8	+	V609-000080	PIN,ENG 11	1	7*11*37.6HL	
9	+	V556-000050	BEARING,NEEDLE 11	1	KBK11*15*15.8*3	
10	+	V308-000040	WASHER,CIRCULAR 11	2	11.2*19.5*0.5	
11	+	V580-000120	RING,END	2		
12		A011-001270	CRANKSHAFT,ASY	1	CSB-620PW	
13		C022-000053	AUTO-OILER ASSEMBLY	1	ZP02A	
14		V804-000000	BOLT, TORX 4	2	TT-4*12 DG 10.9	
15		V652-000050	GEAR,WORM	1		
16		V358-000090	COLLAR,14	1		
17		900701-00015	RETAINING RING, EXTERNAL	1	CS-15	
18		V311-000090	WASHER,CIRCULAR 16-1	1	15.5*22.5*0.5	
19		436205-14730	STRAINER, OIL	1		
20		437210-30831	PIPE	1	3*6*210	
21		V470-000831	PIPE	1		
22		V490-001240	CLIP	2		

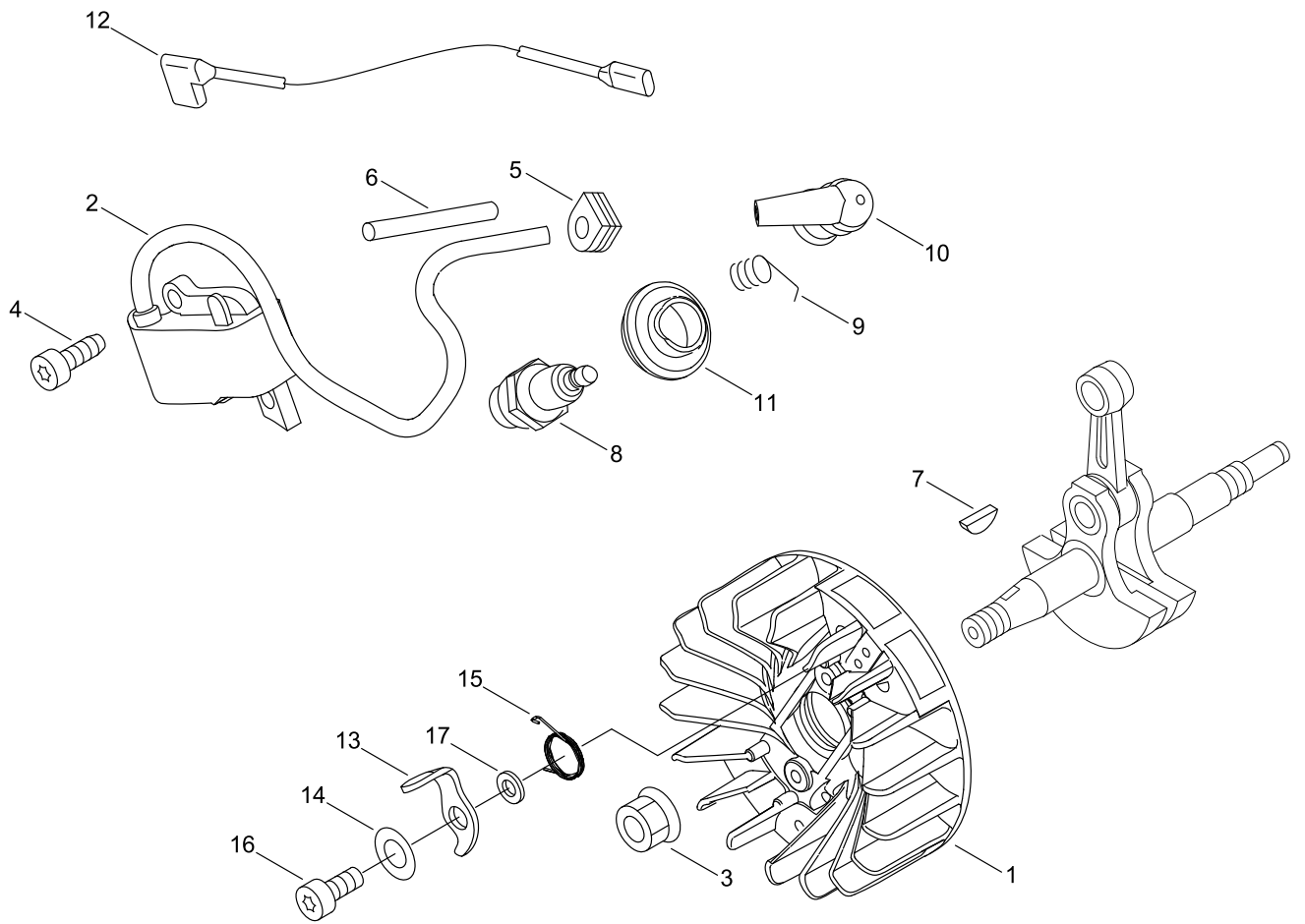
CRANKCASE



CRANKCASE

KEY NO	LV(+)	Part No	Description	Qty	Standard	Comment
1		P100-002830	CYLINDER COVER ASY	1		
2	+	V341-000140	WASHER,SQUARE	1	75*32*0.15	
3		A239-000070	PIPE, INTAKE	1		
4		V805-000000	BOLT, TORX 5	3	TT-5*16 DG 10.9	
5		A239-000060	PIPE, INTAKE	1		
6		A440-001190	SWITCH, ON OFF	1		
7		A472-000091	CASE,SWITCH	1		
8		V485-001101	LEAD	1	L:170/LA105	
9		P200-000960	CRANKCASE SET	1		
10	+	94036-46202	BEARING, BALL	2	6202	
11	+	V508-000100	SEAL,OIL 15	2	ISCD 15*25*7	
12	+	433011-19831	STUD, GUIDE BAR	2		
13	+	437239-14730	NIPPLE	1		
14	+	V102-000060	GASKET,CRANKCASE	1	T0.4	
15	+	V805-000010	BOLT, TORX 5	2	TT-5*20 DG 10.9	
16	+	V805-000020	BOLT, TORX 5	4	TT-5*35 DG 10.9	
17	+	V805-000160	BOLT, TORX 5	4	TB-5*20 10.9	
18	+	436114-13930	VALVE, CHECK	1		
19		C304-000290	SPIKED	1		
20		V376-001890	SPACER	1		
21		900560-00005	NUT, LOCK	1	5	
22		V805-000250	BOLT, TORX 5	2	TB-5*16 12.9	
23		C310-000030	CATCHER,CHAIN	1		
24		V353-000120	COLLAR,5	1		
25		V805-000020	BOLT, TORX 5	1	TT-5*35 DG 10.9	
26		V805-000170	BOLT, TORX 5	1	TB-5*25 10.9	
27		E106-000020	GUIDE,AIR	1		
28		V805-000000	BOLT, TORX 5	1	TT-5*16 DG 10.9	
29		V420-003800	CUSHION	2		
30		V376-001780	SPACER	1		
31		890345-39231	LABEL,CAUTION	1		
32		P100-004881	CAP,OIL ASY	1		
33	+	900720-20029	O-RING	1	P-29	
34	+	A365-000050	CONNECTOR,CAP	1		
35		132115-01462	GROMMET	1		

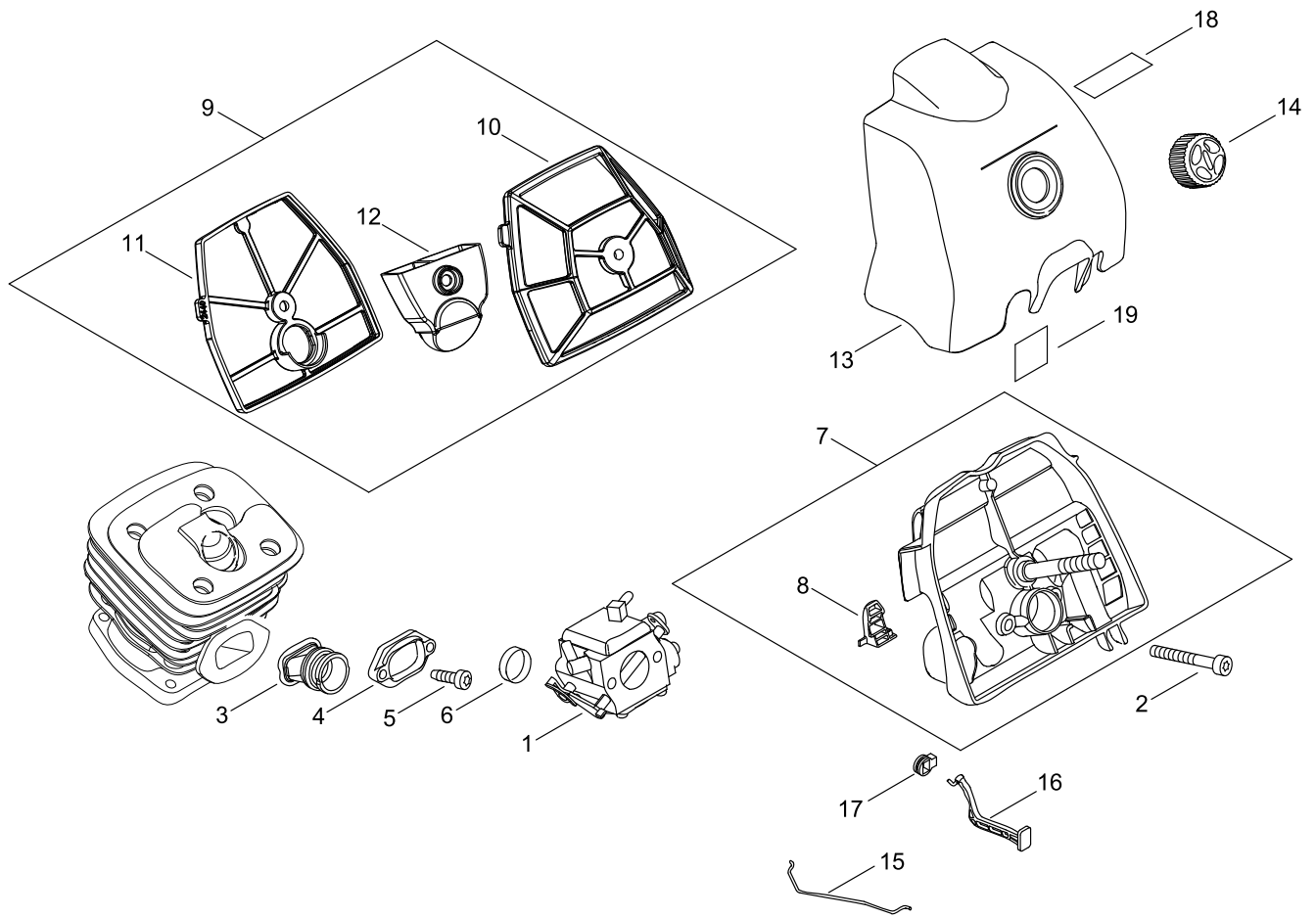
MAGNETO



MAGNETO

KEY NO	LV(+)	Part No	Description	Qty	Standard	Comment
1		A409-000360	ROTOR, MAGNETO	1		
2		P100-008870	COIL, IGNITION	1		
3		900515-00008	NUT, FLANGE	1	8	
4		V805-000000	BOLT, TORX 5	2	TT-5*16 DG 10.9	
5		156110-04920	BUSHING	1		
6		V475-004130	TUBE	1		
7		100142-30830	KEY, WOODRUFF	1		
8		A425-000000	SPARKPLUG	1	BPMR8Y	
9		A426-000010	TERMINAL, SPARKPLUG	1		
10		A427-000013	CAP, SPARK PLUG	1		
11		A429-000040	COVER, CAP	1		
12		V485-001091	LEAD	1	AVX0.75F	
13		177218-19830	PAWL, STARTER	2		
14		900603-00005	WASHER	2	5	
15		177234-35430	SPRING, RETURN	2		
16		V835-000000	BOLT, TORX 5	2		
17		177247-04630	SPACER, RATCHET	2	5.2*8*2.1	

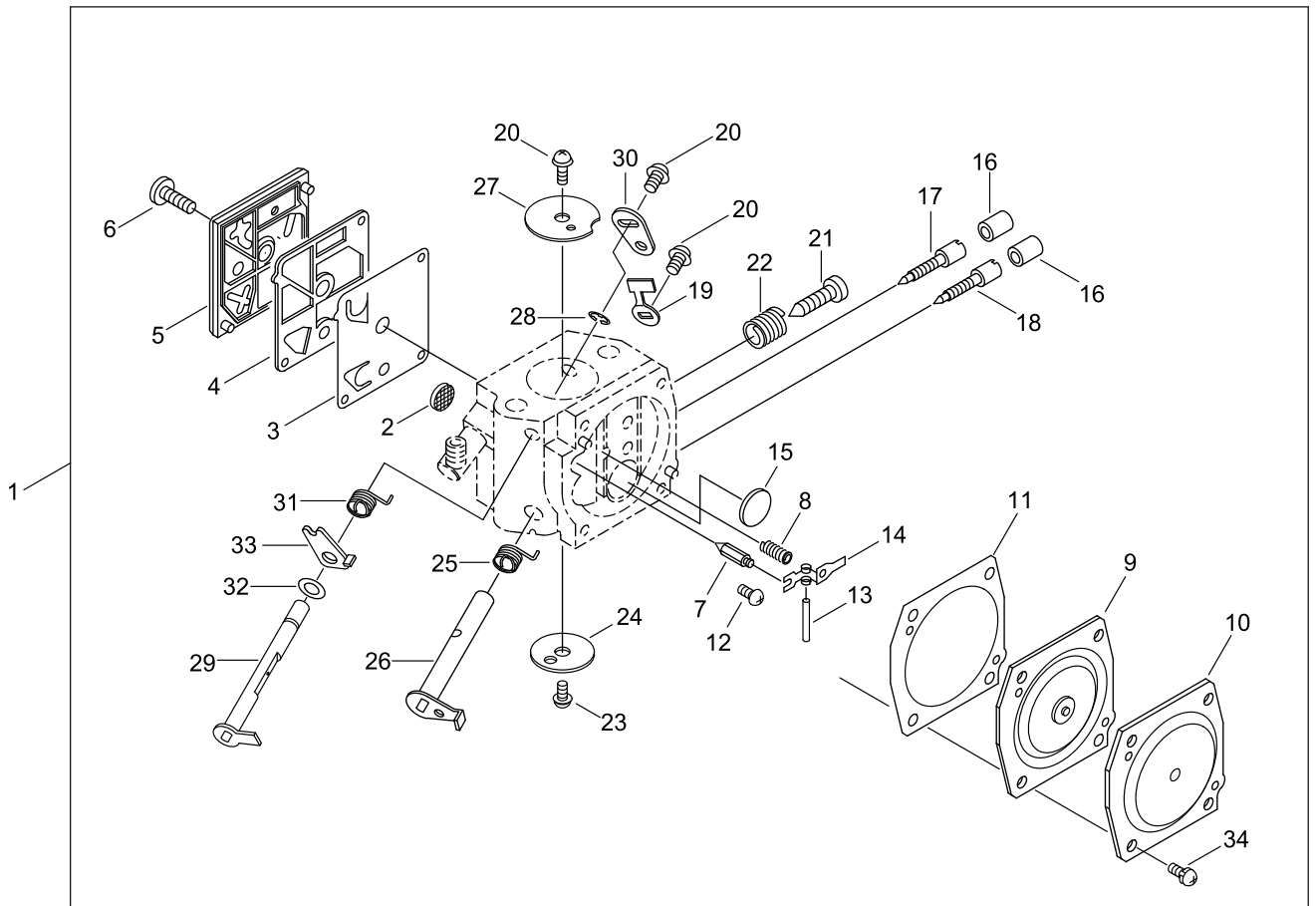
AIR CLEANER, CARBURETOR



AIR CLEANER, CARBURETOR

KEY NO	LV(+)	Part No	Description	Qty	Standard	Comment
1		A021-005220	CARBURETOR, DIAPHRAGM	1	HDA-346	
2		V805-000080	BOLT, TORX 5	2	TB-5*50 10.9	
3		A202-000081	BELLOWS, INTAKE	1		
4		A206-000010	HOLDER, BELLOWS	1		
5		V805-000000	BOLT, TORX 5	2	TT-5*16 DG 10.9	
6		V360-000060	COLLAR,18	1		
7		P021-016023	CASE,CLEANER	1		
8	+	A219-000000	SHUTTER, AIR	1		
9		P021-016372	ELEMENT,AIR FILTER	1		
10	+	A226-000441	ELEMENT, AIR FILTER	1	AC-200N	
11	+	A226-000452	ELEMENT, AIR FILTER	1	AC-200N	
12	+	A244-000080	PLATE, PREVENT	1		
13		A232-000472	LID,CLEANER	1		
14		A235-000191	KNOB,CLEANER LID	1		
15		C454-000170	ROD, THROTTLE	1		
16		A241-000171	KNOB, CHOKE	1		
17		V130-000030	GROMMET,CHOKE	1		
18		X503-015410	LABEL,MODEL	1	CS-621SX	
19		890157-39131	LABEL, SWITCH	1		

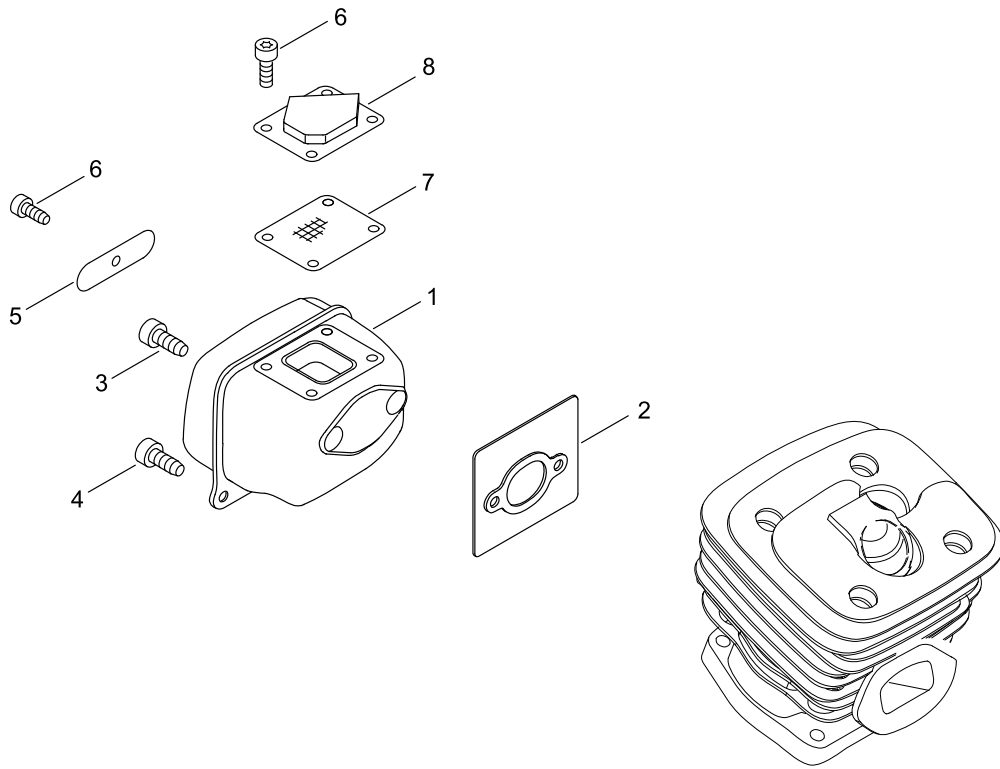
CARBURETOR



CARBURETOR

KEY NO	LV(+)	Part No	Description	Qty	Standard	Comment
1		A021-005220	CARBURETOR, DIAPHRAGM	1	HDA-346	
2	+	123126-10631	SCREEN, INLET	1		
3	+	123112-12330	DIAPHRAGM, FUEL PUMP	1		
4	+	123125-12330	GASKET, FUEL PUMP	1		
5	+	123124-19830	COVER, FUEL PUMP	1		
6	+	123110-16130	SCREW, PUMP COVER	1		
7	+	123137-19830	VALVE, INLET NEEDLE	1		
8	+	123122-32630	SPRING, METER. LEVER	1		
9	+	P003-004920	DIAPHRAGM ASSY	1	95-649	
10	+	123142-17330	COVER, M. DIAPHRAGM	1		
11	+	123140-16130	GASKET, M. DIAPHRAGM	1		
12	+	123139-03930	SCREW, M. LEVER PIN	1		
13	+	123138-03930	PIN, METERING LEVER	1		
14	+	123123-18330	LEVER, METERING	1		
15	+	123146-10631	PLUG, WELCH	1		
16	+	P003-000010	LIMITER CAP	2		
17	+	P003-006160	NEEDLE	1		
18	+	P003-006160	NEEDLE	1		
19	+	123156-30830	STOP, THROTTLE	1		
20	+	123114-38830	SCREW	3		
21	+	123134-04260	SCREW, IDLE ADJUST	1		
22	+	123133-04260	SPRING, IDLE ADJUST	1		
23	+	P003-002380	SCREW	1		
24	+	123132-16130	VALVE, CHOKE	1		
25	+	P003-000560	SPRING, THRT. RETURN	1		
26	+	P003-002280	SHAFT, THROTTLE	1		
27	+	123116-16130	VALVE, THROTTLE	1		
28	+	123127-15030	RING	1		
29	+	P003-002290	SHAFT, CHOKE	1		
30	+	P003-002300	LEVER, CHOKE	1		
31	+	P003-000610	SPRING	1		
32	+	123149-26030	WASHER	1		
33	+	P003-000620	LEVER-FAST IDLE	1		
34	+	123130-02960	SCREW	4		

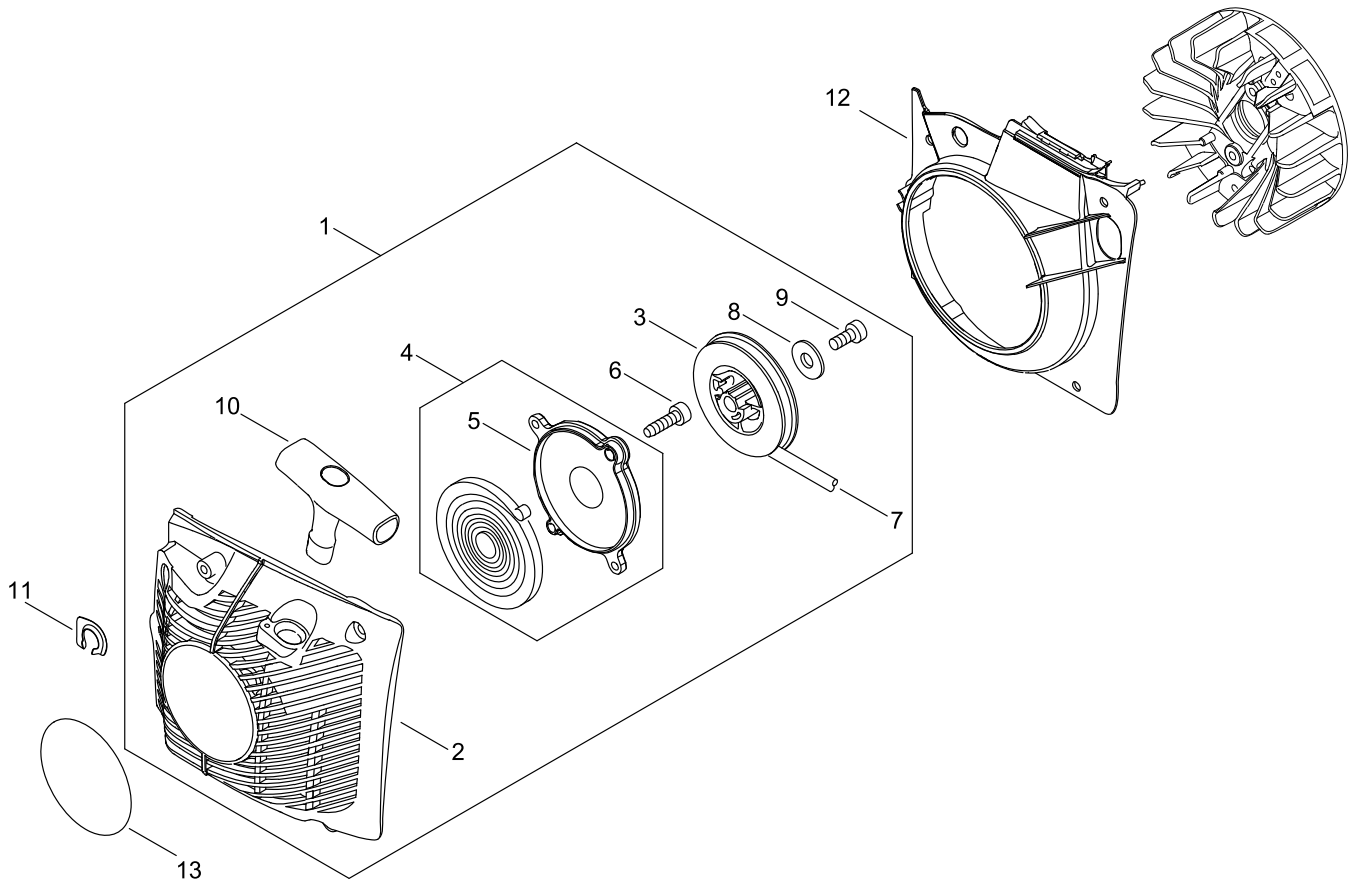
MUFFLER



MUFFLER

KEY NO	LV(+)	Part No	Description	Qty	Standard	Comment
1		A300-001811	MUFFLER, EXHAUST	1	フランジホキヨウWPKツハ	
2		V104-002150	GASKET,EXHAUST	1	T 1.6	
3		V805-000210	BOLT, TORX 5	2	TB-5*20 12.9	
4		V855-000010	BOLT, TORX 5	2	TB-5*25 12.9	
5		A301-000030	PLATE, MUFFLER	1	T0.5	
6		V804-000030	BOLT, TORX 4	5	TB-4*8 10.9	
7		A310-000100	SCREEN, ARRESTOR	1		
8		A031-000040	GUIDE, EXHAUST	1	ID#2110	

RECOIL STARTER



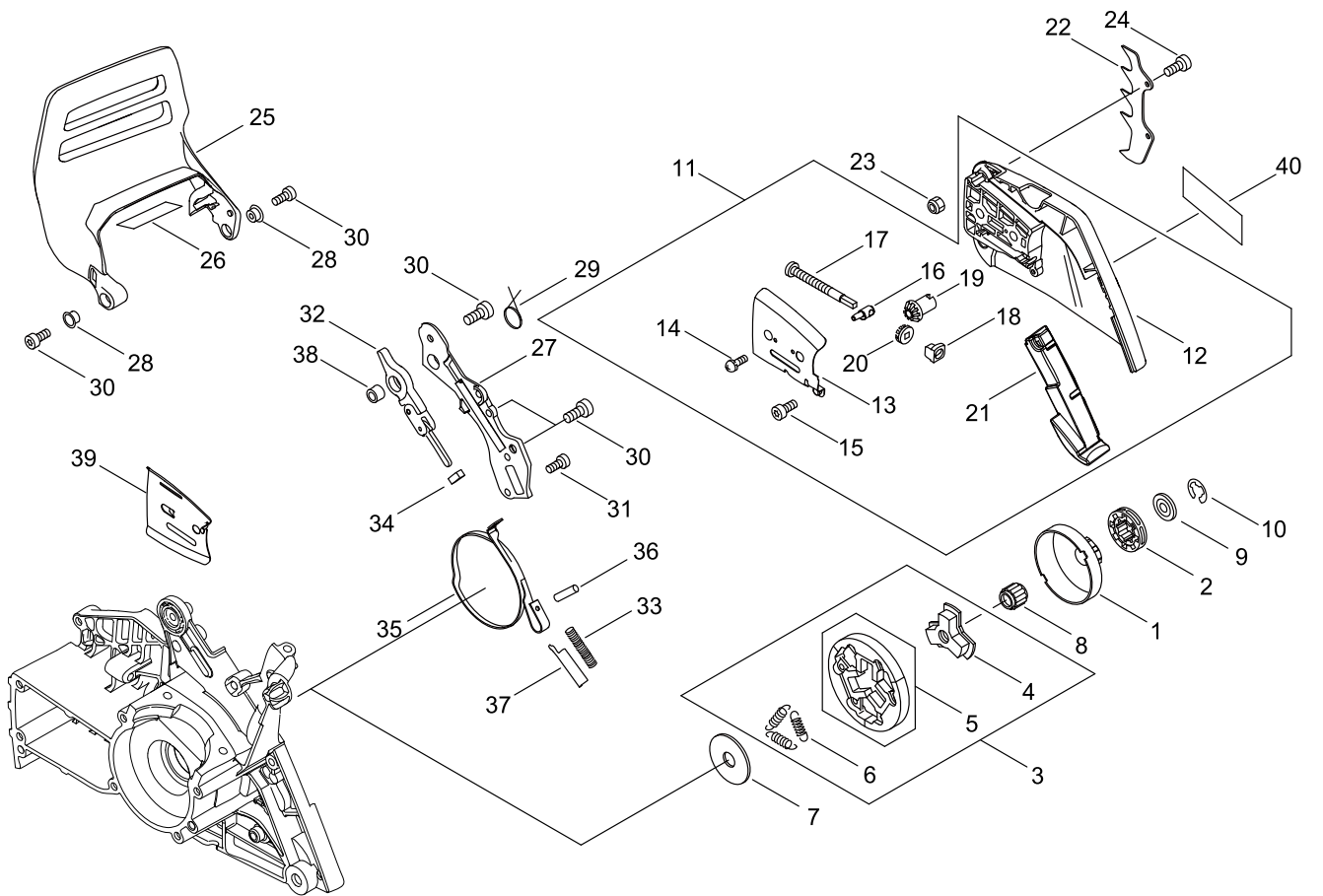
RECOIL STARTER

KEY NO	LV(+)	Part No	Description	Qty	Standard	Comment
1		P100-007950	STARTER ASY	1		
2	+	P100-007940	CASE,STARTER	1		
3	+	A506-000112	REEL, ROPE	1		
4	+	P100-002890	SPRING KIT, REWIND	1		
5	++	A503-000032	PLATE, STARTER	1		
6	+	V804-000000	BOLT, TORX 4	2	TT-4*12 DG 10.9	
7	+	A509-000460	ROPE	1		
8	+	177214-02830	WASHER	1	5.2*16*1.0T	
9	+	V805-000130	BOLT, TORX 5	1	TB-5*10 10.9	
10	+	A511-000300	GRIP,STARTER	1		
11	+	V150-003800	PLATE,EYE	1		
12		A172-000843	COVER,FAN	1		
13		X502-000900	LABEL,ECHO	1		

HANDLE

KEY NO	LV(+)	Part No	Description	Qty	Standard	Comment
1		P100-007320	REAR HANDLE ASY	1		
2	+	V263-000450	NUT,5	2		
3	+	130110-30831	PIPE	1	3*6(8)*160	
4	+	V471-000601	PIPE	1	3*5*120	
5	+	130110-14530	PIPE, IMPULSE	1	3*6*135L	
6	+	V186-000500	JOINT,PIPE	1		
7	+	A369-000450	STRAINER, FUEL	1		
8	+	V490-001240	CLIP	1		
9	+	132115-01462	GROMMET	2		
10	+	131300-56431	VENT ASSEMBLY, FUEL	1		
11	+	A359-000001	COVER,VENT	1	22.5*D18*D8.5	
12		V131-000020	GROMMET,NEEDLE	1		
13		C411-000001	LID,HANDLE	1		
14		V804-000000	BOLT, TORX 4	1	TT-4*12 DG 10.9	
15		150114-04920	BUSHING	1		
16		V456-000090	HOLDER,SPRING	1		
17		V805-000010	BOLT, TORX 5	2	TT-5*20 DG 10.9	
18		V450-000760	SPRING,COMPRESSION	1	17*36.7*2.6	
19		V805-000230	BOLT, TORX 5	1	TT-5*25 DG 10.9	
20		V450-000771	SPRING,COMPRESSION	1	20*40*3.3	
21		V456-000101	HOLDER,SPRING	1		
22		V806-000000	BOLT, TORX 6	1	TT-6*20 DG 10.9	
23		V404-000210	CUSHION,10	1		
24		C400-001171	HANDLE, FRONT	1		
25		C405-000560	BRACKET,HANDLE	1		
26		C405-000570	BRACKET,HANDLE	1		
27		V805-000010	BOLT, TORX 5	4	TT-5*20 DG 10.9	
28		V450-000730	SPRING,COMPRESSION	1	17*38.4	
29		V805-000000	BOLT, TORX 5	1	TT-5*16 DG 10.9	
30		V456-000080	HOLDER,SPRING	2	14.4	
31		V456-000280	HOLDER,SPRING	1		
32		V806-000000	BOLT, TORX 6	1	TT-6*20 DG 10.9	
33		C617-000362	STOPPER	1		
34		V805-000000	BOLT, TORX 5	2	TT-5*16 DG 10.9	
35		C450-000360	CONTROL, THROTTLE	1		
36		900345-40025	PIN, SPRING	1	4*25	
37		V452-000260	SPRING,TORSION	1		
38		178090-37930	LOCKOUT, T. CONTROL	1		
39		P100-004891	CAP,FUEL ASY	1		
40	+	V581-000600	RING,O	1	P29	
41	+	A365-000050	CONNECTOR,CAP	1		

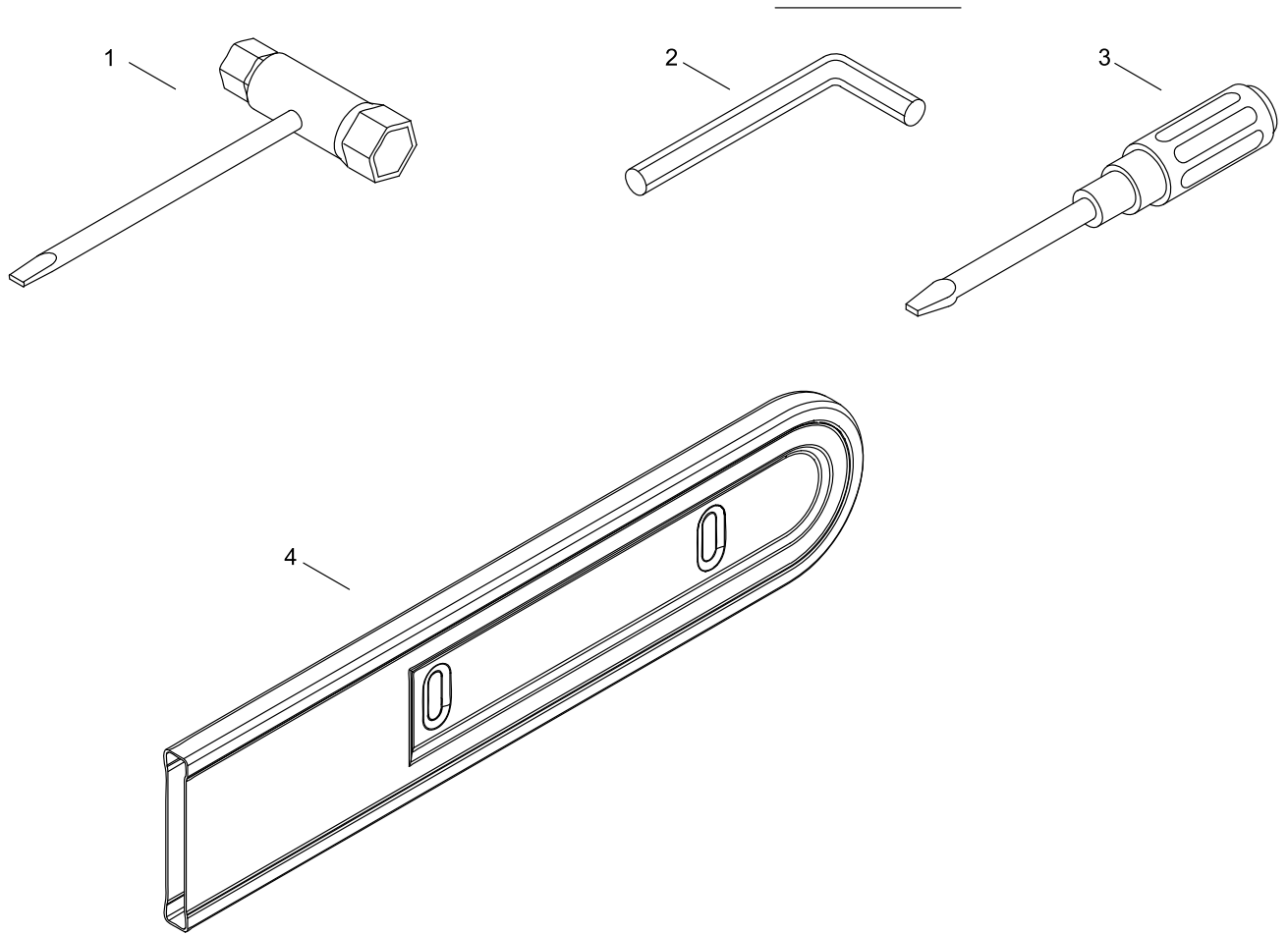
CHAIN BRAKE



CHAIN BRAKE

KEY NO	LV(+)	Part No	Description	Qty	Standard	Comment
1		A556-001610	DRUM, CLUTCH	1		
2		175033-14731	SPROCKET, RIM 68210S	1		
3		A056-000221	CLUTCH ASY	1	VA	
4	+	A552-000110	HUB, CLUTCH	1		
5	+	P021-007051	CLUTCH SHOE SET	1		
6	+	V451-000500	SPRING,TENSION	3		
7		A551-000110	PLATE, CLUTCH	1	12*36*2	
8		V555-000010	BEARING,NEEDLE 10	1		
9		V307-000520	WASHER,CIRCULAR 10	1		
10		V583-000440	RING	1	8.1 T1.2	
11		P100-008890	GUARD, SPROCKET KIT	1		
12	+	C300-001200	GUARD, SPROCKET	1		
13	+	C305-000101	PLATE,SPROCKET GUARD	1		
14	+	91325-03005	SCREW, TAPPING	1	3*5	
15	+	V804-000000	BOLT, TORX 4	1	TT-4*12 DG 10.9	
16	+	C309-000160	TENSIONER, CHAIN	1		
17	+	V203-002140	BOLT,5	1		
18	+	V355-000800	COLLAR,8	1		
19	+	V651-001040	GEAR,BEVEL	1		
20	+	V651-001050	GEAR,BEVEL	1		
21	+	C302-000011	PAD, GUARD	1		
22		C304-000300	SPIKED	1		
23		900560-00005	NUT, LOCK	2	5	
24		V805-000300	BOLT, TORX 5	2	TB-5*12 12.9	
25		C320-000182	LEVER, BRAKE	1		
26		V341-000131	WASHER,SQUARE	1	75*27*0.15	
27		C345-000283	COVER,BRAKE	1		
28		V356-000440	COLLAR,10	2	11.2*16.2*T0.6	
29		V452-000400	SPRING,TORSION	1		
30		V805-000000	BOLT, TORX 5	5	TT-5*16 DG 10.9	
31		V804-000000	BOLT, TORX 4	1	TT-4*12 DG 10.9	
32		C334-000111	CONNECTOR, BRAKE	1	ASSY	
33		V450-000740	SPRING,COMPRESSION	1	12*70.5	
34		V376-000450	SPACER	1		
35		C328-000121	BAND, BRAKE	1		
36		93050-30098	ROLLER	1	3*9.8	
37		C603-000220	PLATE, SIDE	1	T0.3	
38		V356-000470	COLLAR,10	1	12*10*T1.0	
39		C305-000111	PLATE,SPROCKET GUARD	1		
40		X502-000340	LABEL,ECHO	1	ECHO(WHITE)	

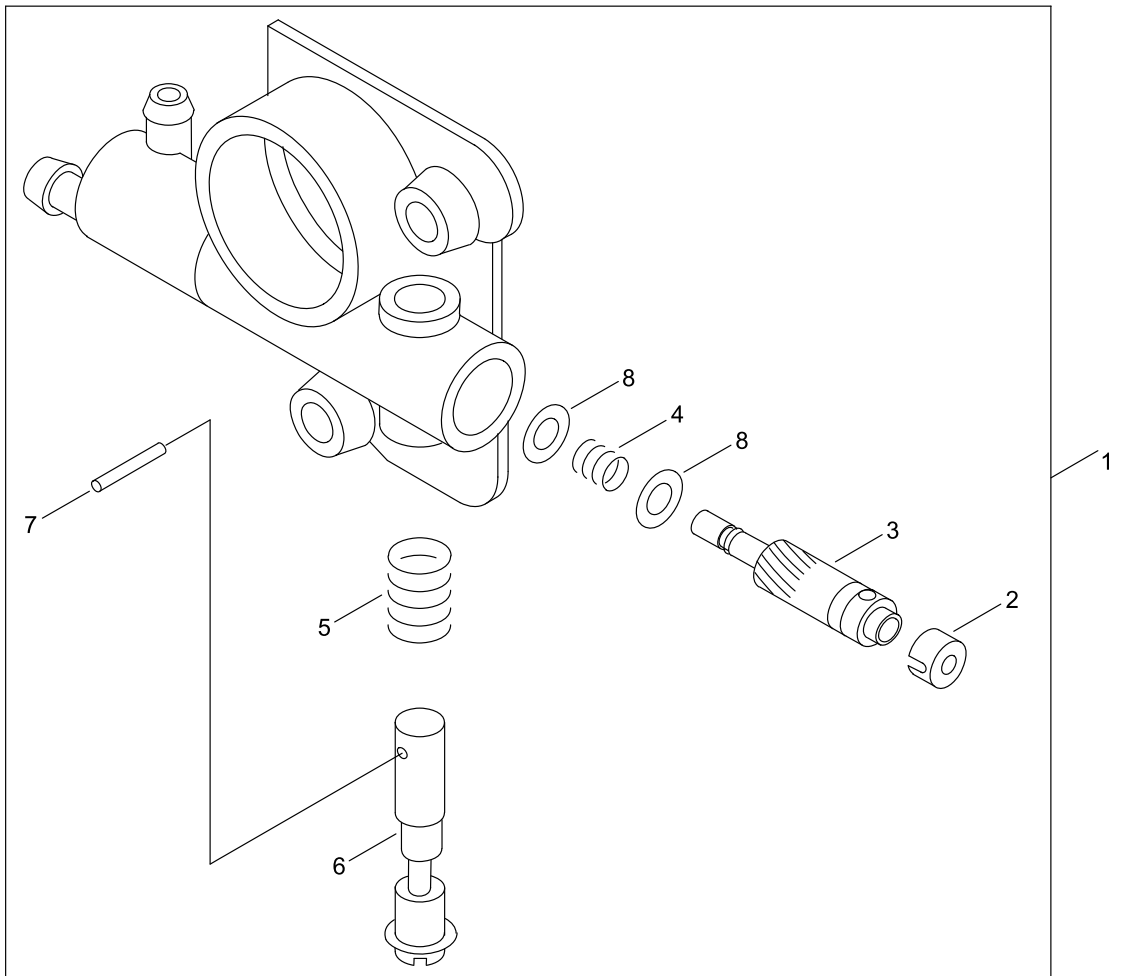
ACCESSORIES



ACCESSORIES

KEY NO	LV(+)	Part No	Description	Qty	Standard	Comment
1		X602-000080	TOOL,WRENCH	1	13*19 L180	
2		X605-000190	TOOL,L WRENCH	1	T27 120*80	
3		895812-03930	DRIVER, SCREW 50	1		
4		X490-000720	SCABBARD,CHAIN	1		



OILER



OILER

KEY NO	LV(+)	Part No	Description	Qty	Standard	Comment
1		C022-000053	AUTO-OILER ASSEMBLY	1	ZP02A	
2	+	P022-038170	CAP, PLUNGER	1		
3	+	P022-038180	SHAFT ASY-PLUNGER	1		
4	+	P022-049820	SPRING, PLUNGER	1		
5	+	P022-010670	SPRING	1		
6	+	P022-038200	SCREW KIT, ADJUST	1		
7	+	P022-038210	SPRING PIN	1		
8	+	P022-049140	WASHER	2		

GUIDE BAR, CHAIN

Pitch ピッチ (inch) (mm)	Gauge ゲージ (inch) (mm)	Length 長さ (cm)	Guide Bar ガイドバー		Saw Chain ソーチェーン		Chain Scabbard チェーン スカバード		Hard Nose ハード ノーズ 	Sprocket Nose スプロケット ノーズ 
			Key №	Type 形式	Key №	Type 形式	Key №	Length 長さ (cm)		
3/8 9.53	0.058 1.47	45	A1	S45R73-64AA- ED	A2	73LPX-64	/	/		●
3/8 9.53	0.058 1.47	45	B1	S45R73-64AA- ED	B2	73EXL-64	/	/		●
3/8 9.53	0.058 1.47	50	C1	S50R73-72AA- ED	C2	73LPX-72	/	/		●
3/8 9.53	0.058 1.47	50	D1	S50R73-72AA- ED	D2	73EXL-72	/	/		●
3/8 9.53	0.058 1.47	60	E1	S60R73-84AA- ED	E2	73LPX-84	E3	65		●
3/8 9.53	0.058 1.47	60	F1	S60R73-84AA- ED	F2	73EXL-84	F3	65		●

GUIDE BAR, CHAIN

KEY NO	LV(+)	Part No	Description	Qty	Standard	Comment
A1		X125-000261	BAR,GUIDE 45	1	S45R73-64AA-ED	
A2		X265-000060	CHAIN,SAW	1	73LPX-64	
B1		X125-000261	BAR,GUIDE 45	1	S45R73-64AA-ED	
B2		X265-000070	CHAIN,SAW	1	73EXL-64	
C1		X126-000191	BAR,GUIDE 50	1	S50R73-72AA-ED	
C2		X266-000060	CHAIN,SAW	1	73LPX-72	
D1		X126-000191	BAR,GUIDE 50	1	S50R73-72AA-ED	
D2		X266-000090	CHAIN,SAW	1	73EXL-72	
E1		X128-000051	BAR,GUIDE 60	1	S60R73-84AA-ED	
E2		X268-000040	CHAIN,SAW	1	73LPX-84	
E3		X490-000710	SCABBARD,CHAIN	1		
F1		X128-000051	BAR,GUIDE 60	1	S60R73-84AA-ED	
F2		X268-000060	CHAIN,SAW	1	73EXL-84	
F3		X490-000710	SCABBARD,CHAIN	1		

NUMERICAL PARTS INDEX

Part No	Part description	Page	Part No	Part description	Page	Part No	Part description	Page
100142-3-0830	KEY, WOODRUFF	6	130110-3-0831	PIPE	16	900603-0-0005	WASHER	6
123110-1-6130	SCREW, PUMP COVER	10	131300-5-6431	VENT ASSEMBLY, FUEL	16	900701-0-0015	RETAINING RING, EXTERNAL	2
123112-1-2330	DIAPHRAGM, FUEL PUMP	10	132115-0-1462	GROMMET	4	900720-2-0029	O-RING	4
123114-3-8830	SCREW	10	132115-0-1462	GROMMET	16	91325-03-005	SCREW, TAPPING	18
123116-1-6130	VALVE, THROTTLE	10	150114-0-4920	BUSHING	16	93050-30-098	ROLLER	18
123122-3-2630	SPRING, METER. LEVER	10	156110-0-4920	BUSHING	6	94036-46-202	BEARING, BALL	4
123123-1-8330	LEVER, METERING	10	175033-1-4731	SPROCKET, RIM 68210S	18	A011-00-1270	CRANKSHAFT,ASY	2
123124-1-9830	COVER, FUEL PUMP	10	177214-0-2830	WASHER	14	A014-00-0110	RELEASE ASY., COMP.	2
123125-1-2330	GASKET, FUEL PUMP	10	177218-1-9830	PAWL, STARTER	6	A021-00-5220	CARBURETOR, DIAPHRAGM	8
123126-1-0631	SCREEN, INLET	10	177234-3-5430	SPRING, RETURN	6	A021-00-5220	CARBURETOR, DIAPHRAGM	10
123127-1-5030	RING	10	177247-0-4630	SPACER, RATCHET	6	A031-00-0040	GUIDE, EXHAUST	12
123130-0-2960	SCREW	10	178090-3-7930	LOCKOUT, T. CONTROL	16	A056-00-0221	CLUTCH ASY	18
123132-1-6130	VALVE, CHOKE	10	433011-1-9831	STUD, GUIDE BAR	4	A101-00-0780	RING, PISTON	2
123133-0-4260	SPRING, IDLE ADJUST	10	436114-1-3930	VALVE, CHECK	4	A130-00-2420	CYLINDER	2
123134-0-4260	SCREW, IDLE ADJUST	10	436205-1-4730	STRAINER, OIL	2	A172-00-0843	COVER,FAN	14
123137-1-9830	VALVE, INLET NEEDLE	10	437210-3-0831	PIPE	2	A202-00-0081	BELLOWS, INTAKE	8
123138-0-3930	PIN, METERING LEVER	10	437239-1-4730	NIPPLE	4	A206-00-0010	HOLDER, BELLOWS	8
123139-0-3930	SCREW, M. LEVER PIN	10	890157-3-9131	LABEL, SWITCH	8	A219-00-0000	SHUTTER, AIR	8
123140-1-6130	GASKET, M. DIAPHRAGM	10	890345-3-9231	LABEL,CAUTION	4	A226-00-0441	ELEMENT, AIR FILTER	8
123142-1-7330	COVER, M. DIAPHRAGM	10	895812-0-3930	DRIVER, SCREW 50	20	A226-00-0452	ELEMENT, AIR FILTER	8
123146-1-0631	PLUG, WELCH	10	900345-4-0025	PIN, SPRING	16	A232-00-0472	LID,CLEANER	8
123149-2-6030	WASHER	10	900515-0-0008	NUT, FLANGE	6	A235-00-0191	KNOB,CLEANER LID	8
123156-3-0830	STOP, THROTTLE	10	900560-0-0005	NUT, LOCK	4	A239-00-0060	PIPE, INTAKE	4
130110-1-4530	PIPE, IMPULSE	16	900560-0-0005	NUT, LOCK	18	A239-00-0070	PIPE, INTAKE	4

NUMERICAL PARTS INDEX

Part No	Part description	Page	Part No	Part description	Page	Part No	Part description	Page
A241-00-0171	KNOB, CHOKE	8	C022-00-0053	AUTO-OILER ASSEMBLY	22	P003-00-0610	SPRING	10
A244-00-0080	PLATE, PREVENT	8	C300-00-1200	GUARD, SPROCKET	18	P003-00-0620	LEVER-FAST IDLE	10
A300-00-1811	MUFFLER, EXHAUST	12	C302-00-0011	PAD, GUARD	18	P003-00-2280	SHAFT, THROTTLE	10
A301-00-0030	PLATE, MUFFLER	12	C304-00-0290	SPIKED	4	P003-00-2290	SHAFT, CHOKE	10
A310-00-0100	SCREEN, ARRESTOR	12	C304-00-0300	SPIKED	18	P003-00-2300	LEVER, CHOKE	10
A359-00-0001	COVER, VENT	16	C305-00-0101	PLATE, SPROCKET GUARD	18	P003-00-2380	SCREW	10
A365-00-0050	CONNECTOR, CAP	4	C305-00-0111	PLATE, SPROCKET GUARD	18	P003-00-4920	DIAPHRAGM ASSY	10
A365-00-0050	CONNECTOR, CAP	16	C309-00-0160	TENSIONER, CHAIN	18	P003-00-6160	NEEDLE	10
A369-00-0450	STRAINER, FUEL	16	C310-00-0030	CATCHER, CHAIN	4	P021-00-7051	CLUTCH SHOE SET	18
A409-00-0360	ROTOR, MAGNETO	6	C320-00-0182	LEVER, BRAKE	18	P021-01-6023	CASE, CLEANER	8
A425-00-0000	SPARKPLUG	6	C328-00-0121	BAND, BRAKE	18	P021-01-6372	ELEMENT, AIR FILTER	8
A426-00-0010	TERMINAL, SPARKPLUG	6	C334-00-0111	CONNECTOR, BRAKE	18	P022-01-0670	SPRING	22
A427-00-0013	CAP, SPARK PLUG	6	C345-00-0283	COVER, BRAKE	18	P022-03-8170	CAP, PLUNGER	22
A429-00-0040	COVER, CAP	6	C400-00-1171	HANDLE, FRONT	16	P022-03-8180	SHAFT ASY-PLUNGER	22
A440-00-1190	SWITCH, ON OFF	4	C405-00-0560	BRACKET, HANDLE	16	P022-03-8200	SCREW KIT, ADJUST	22
A472-00-0091	CASE, SWITCH	4	C405-00-0570	BRACKET, HANDLE	16	P022-03-8210	SPRING PIN	22
A503-00-0032	PLATE, STARTER	14	C411-00-0001	LID, HANDLE	16	P022-04-9140	WASHER	22
A506-00-0112	REEL, ROPE	14	C450-00-0360	CONTROL, THROTTLE	16	P022-04-9820	SPRING, PLUNGER	22
A509-00-0460	ROPE	14	C454-00-0170	ROD, THROTTLE	8	P100-00-2830	CYLINDER COVER ASY	4
A511-00-0300	GRIP, STARTER	14	C603-00-0220	PLATE, SIDE	18	P100-00-2890	SPRING KIT, REWIND	14
A551-00-0110	PLATE, CLUTCH	18	C617-00-0362	STOPPER	16	P100-00-4881	CAP, OIL ASY	4
A552-00-0110	HUB, CLUTCH	18	E106-00-0020	GUIDE, AIR	4	P100-00-4891	CAP, FUEL ASY	16
A556-00-1610	DRUM, CLUTCH	18	P003-00-0010	LIMITER CAP	10	P100-00-7320	REAR HANDLE ASY	16
C022-00-0053	AUTO-OILER ASSEMBLY	2	P003-00-0560	SPRING, THRT. RETURN	10	P100-00-7940	CASE, STARTER	14

NUMERICAL PARTS INDEX

Part No	Part description	Page	Part No	Part description	Page	Part No	Part description	Page
P100-00-7950	STARTER ASY	14	V358-00-0090	COLLAR,14	2	V490-00-1240	CLIP	16
P100-00-8850	PISTON KIT	2	V360-00-0060	COLLAR,18	8	V508-00-0100	SEAL,OIL 15	4
P100-00-8870	COIL, IGNITION	6	V376-00-0450	SPACER	18	V555-00-0010	BEARING,NEEDLE 10	18
P100-00-8890	GUARD, SPROCKET KIT	18	V376-00-1780	SPACER	4	V556-00-0050	BEARING,NEEDLE 11	2
P200-00-0960	CRANKCASE SET	4	V376-00-1890	SPACER	4	V580-00-0120	RING,END	2
V100-00-0270	GASKET,CYL	2	V404-00-0210	CUSHION,10	16	V581-00-0600	RING,O	16
V102-00-0060	GASKET, CRANKCASE	4	V420-00-3800	CUSHION	4	V583-00-0440	RING	18
V104-00-2150	GASKET,EXHAUST	12	V450-00-0730	SPRING, COMPRESSION	16	V609-00-0080	PIN,ENG 11	2
V130-00-0030	GROMMET,CHOKE	8	V450-00-0740	SPRING, COMPRESSION	18	V651-00-1040	GEAR,BEVEL	18
V131-00-0020	GROMMET,NEEDLE	16	V450-00-0760	SPRING, COMPRESSION	16	V651-00-1050	GEAR,BEVEL	18
V141-00-0090	GROMMET,PLUG	2	V450-00-0771	SPRING, COMPRESSION	16	V652-00-0050	GEAR,WORM	2
V150-00-3800	PLATE,EYE	14	V451-00-0500	SPRING,TENSION	18	V804-00-0000	BOLT, TORX 4	2
V186-00-0500	JOINT,PIPE	16	V452-00-0260	SPRING,TORSION	16	V804-00-0000	BOLT, TORX 4	14
V203-00-2140	BOLT,5	18	V452-00-0400	SPRING,TORSION	18	V804-00-0000	BOLT, TORX 4	16
V263-00-0450	NUT,5	16	V456-00-0080	HOLDER,SPRING	16	V804-00-0000	BOLT, TORX 4	18
V307-00-0520	WASHER,CIRCULAR 10	18	V456-00-0090	HOLDER,SPRING	16	V804-00-0030	BOLT, TORX 4	12
V308-00-0040	WASHER,CIRCULAR 11	2	V456-00-0101	HOLDER,SPRING	16	V805-00-0000	BOLT, TORX 5	4
V311-00-0090	WASHER,CIRCULAR 16-1	2	V456-00-0280	HOLDER,SPRING	16	V805-00-0000	BOLT, TORX 5	6
V341-00-0131	WASHER,SQUARE	18	V470-00-0831	PIPE	2	V805-00-0000	BOLT, TORX 5	8
V341-00-0140	WASHER,SQUARE	4	V471-00-0601	PIPE	16	V805-00-0000	BOLT, TORX 5	16
V353-00-0120	COLLAR,5	4	V475-00-4130	TUBE	6	V805-00-0000	BOLT, TORX 5	18
V355-00-0800	COLLAR,8	18	V485-00-1091	LEAD	6	V805-00-0010	BOLT, TORX 5	4
V356-00-0440	COLLAR,10	18	V485-00-1101	LEAD	4	V805-00-0010	BOLT, TORX 5	16
V356-00-0470	COLLAR,10	18	V490-00-1240	CLIP	2	V805-00-0020	BOLT, TORX 5	4

NUMERICAL PARTS INDEX

Part No	Part description	Page	Part No	Part description	Page
V805-00-0080	BOLT, TORX 5	8	X502-00-0900	LABEL,ECHO	14
V805-00-0130	BOLT, TORX 5	14	X503-01-5410	LABEL,MODEL	8
V805-00-0160	BOLT, TORX 5	4	X602-00-0080	TOOL,WRENCH	20
V805-00-0170	BOLT, TORX 5	4	X605-00-0190	TOOL,L WRENCH	20
V805-00-0210	BOLT, TORX 5	12			
V805-00-0220	BOLT, TORX 5	2			
V805-00-0230	BOLT, TORX 5	16			
V805-00-0250	BOLT, TORX 5	4			
V805-00-0300	BOLT, TORX 5	18			
V806-00-0000	BOLT, TORX 6	16			
V835-00-0000	BOLT, TORX 5	6			
V855-00-0010	BOLT, TORX 5	12			
X125-00-0261	BAR,GUIDE 45	24			
X126-00-0191	BAR,GUIDE 50	24			
X128-00-0051	BAR,GUIDE 60	24			
X265-00-0060	CHAIN,SAW	24			
X265-00-0070	CHAIN,SAW	24			
X266-00-0060	CHAIN,SAW	24			
X266-00-0090	CHAIN,SAW	24			
X268-00-0040	CHAIN,SAW	24			
X268-00-0060	CHAIN,SAW	24			
X490-00-0710	SCABBARD,CHAIN	24			
X490-00-0720	SCABBARD,CHAIN	20			
X502-00-0340	LABEL,ECHO	18			