

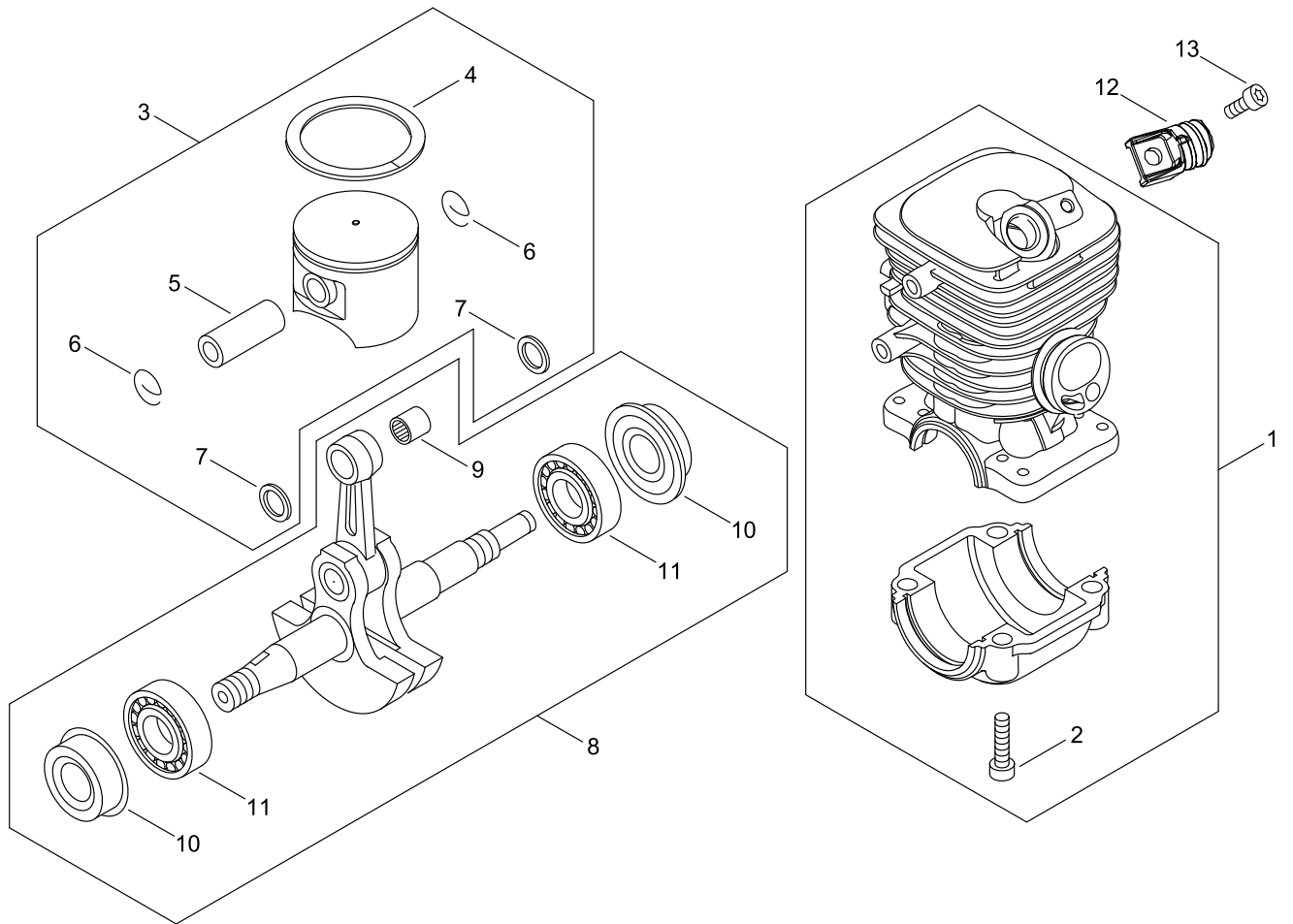
CS-352AC

Published:09/27/2019

TABLE OF CONTENTS

CYLINDER, PISTON, CRANKSHAFT.....	1
ENGINE COVER.....	3
MAGNETO.....	5
AIR CLEANER, CARBURETOR.....	7
CARBURETOR.....	9
MUFFLER.....	11
RECOIL STARTER.....	13
HANDLE.....	15
CHAIN BRAKE.....	17
ACCESSORIES.....	19
GUIDE BAR, CHAIN.....	21

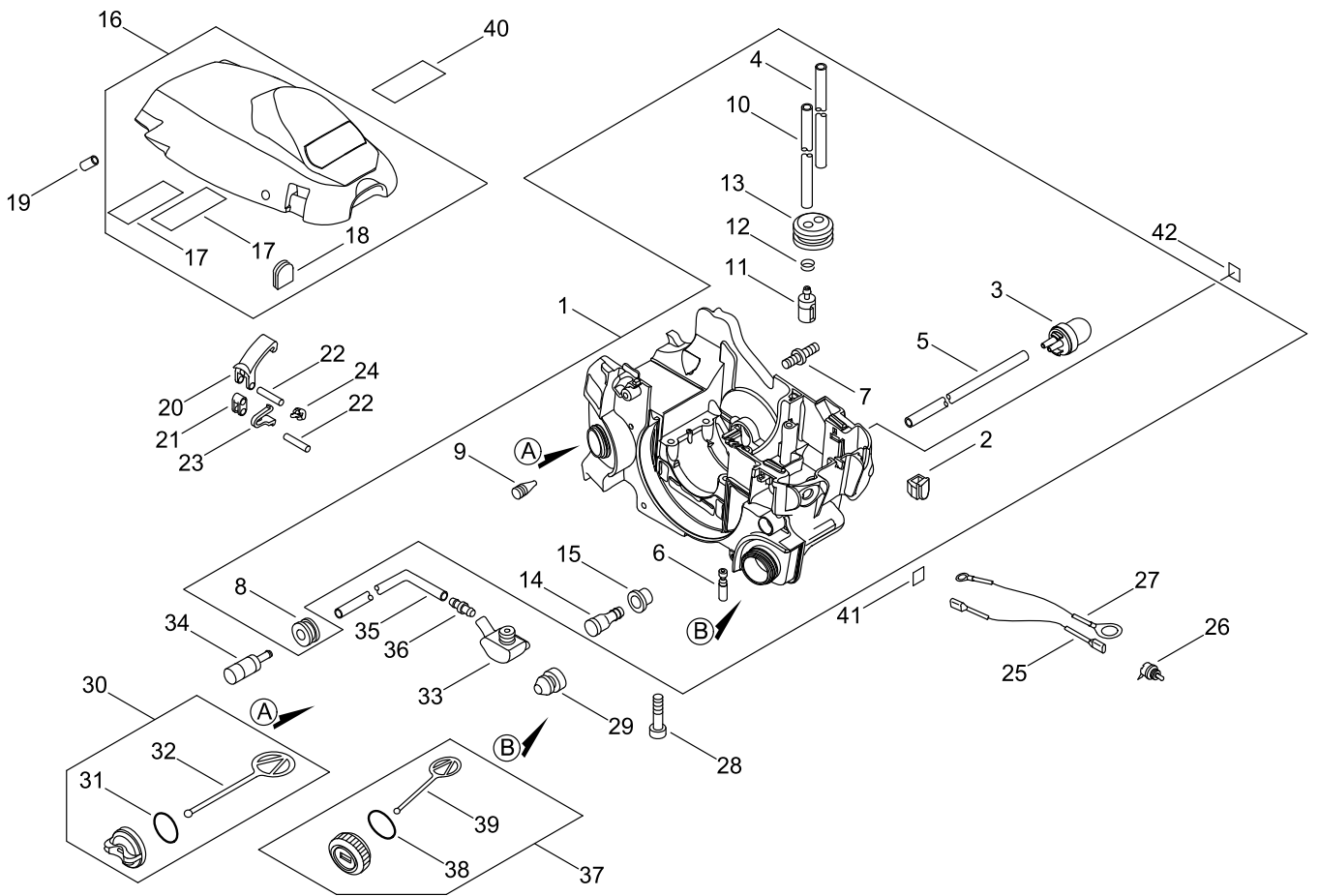
CYLINDER, PISTON, CRANKSHAFT



CYLINDER, PISTON, CRANKSHAFT

KEY NO	LV(+)	Part No	Description	Qty	Standard	Comment
1		P021-035190	CRANKCASE KIT	1		
2	+	V805-000220	BOLT, TORX 5	4	TB-5*25 12.9	
3		P021-035201	PISTON KIT	1		
4	+	A101-000580	RING, PISTON	1		
5	+	100013-15330	PIN, PISTON	1	5.5*8*29	
6	+	100015-04630	CIRCLIP, PISTON PIN	2		
7	+	100014-11520	SPACER, PISTON PIN	2		
8		P021-015072	CRANKSHAFT, ASSY	1		
9	+	V553-000060	BEARING, NEEDLE 8	1	HK0810FMV4	
10	+	V505-000011	SEAL, OIL 12	2	12*32*5.5	
11	+	94035-36201	BEARING, BALL	2	6201	
12		V456-000240	HOLDER, SPRING	1		
13		V805-000140	BOLT, TORX 5	1	TB-5*12 10.9	

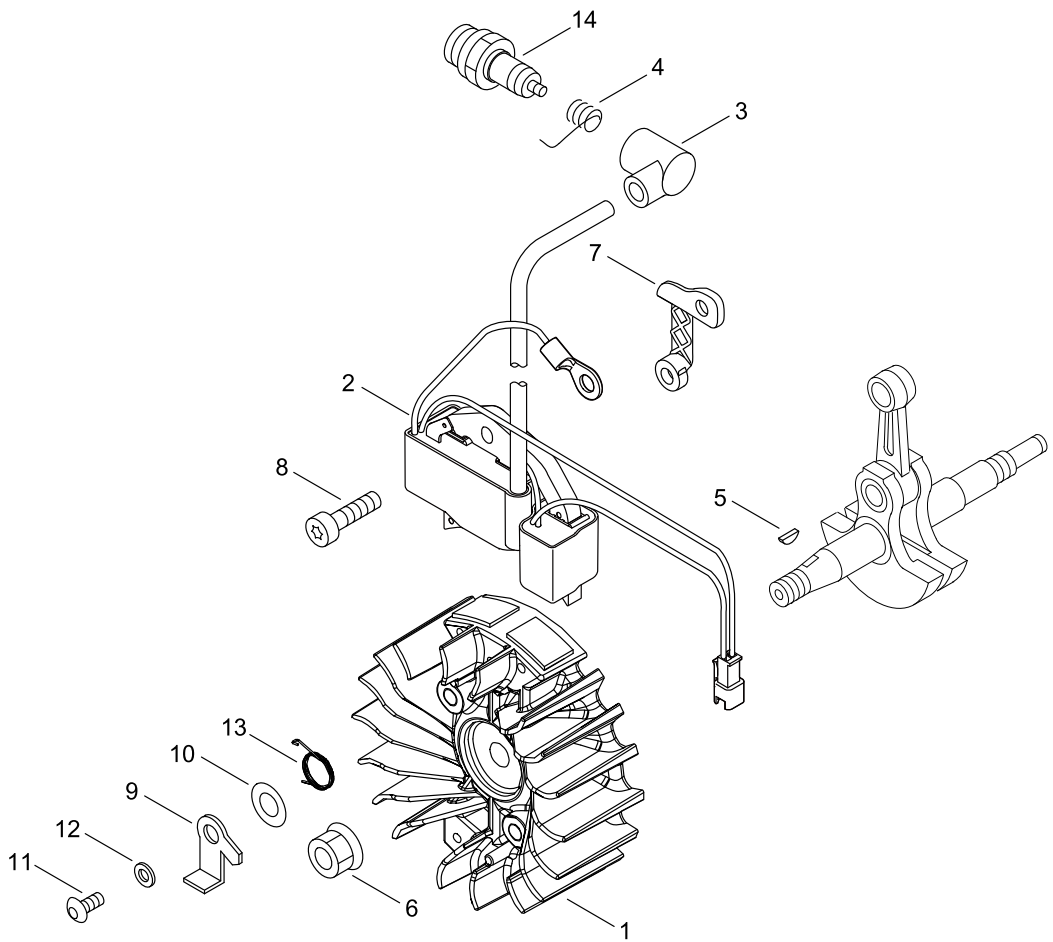
ENGINE COVER



ENGINE COVER

KEY NO	LV(+)	Part No	Description	Qty	Standard	Comment
1		P100-007700	ENGINE COVER ASY	1		
2	+	E123-000060	CONNECTOR,BRACKET	1		
3	+	123181-39130	PUMP, PRIMER	1		
4	+	V471-001561	PIPE	1	2.4*5*80	
5	+	V471-001281	PIPE	1	2.4*5*105	
6	+	C022-000190	AUTO-OILER ASSEMBLY	1		
7	+	V225-000370	BOLT,STUD 8	2	M8	
8	+	132115-01462	GROMMET	1		
9	+	436114-13930	VALVE, CHECK	1		
10	+	V471-002171	PIPE	1	3*5*230	
11	+	A369-000420	STRAINER, FUEL	1	ES-16499	
12	+	V490-001240	CLIP	1		
13	+	132115-44331	GROMMET, FUEL	1		
14	+	A356-000031	VALVE,CHECK	1		
15	+	V137-000001	GROMMET,FUEL	1		
16		P100-004330	CYLINDER COVER ASY	1		
17	+	V341-000120	WASHER,SQUARE	2		
18	+	130338-32430	PLUG, COVER	1		
19		100927-35830	PIPE	1	3*7*10	
20		C463-000100	KNOB, LATCH	2		
21		J485-000200	HINGE	2		
22		V622-000070	PIN,STRAIGHT 4	4	F4*17.8	
23		V490-000400	CLIP	2		
24		C617-000500	STOPPER	2		
25		V485-001080	LEAD	1	L235,#187,#250	
26		A440-001190	SWITCH, ON OFF	1		
27		V485-001070	LEAD	1	#LA105 L255	
28		V805-000180	BOLT, TORX 5	4	TB-5*30 12.9	
29		V420-001790	CUSHION	2		
30		P021-005581	OIL CAP ASY	1		
31	+	900720-00018	O-RING	1	P-18	
32	+	A365-000050	CONNECTOR,CAP	1		
33		V470-000810	PIPE	1		
34		P100-001900	STRAINER, OIL	1		
35		130110-05261	PIPE 3* 6*185	1	3*6*185	
36		V186-000510	JOINT,PIPE	1		
37		P021-037920	FUEL CAP ASY	1		
38	+	V581-000610	RING,O	1	P22	
39	+	A365-000050	CONNECTOR,CAP	1		
40		X503-015240	LABEL,MODEL	1	CS-352AC	
41		890157-39131	LABEL, SWITCH	1		
42		X524-001901	LABEL	1		

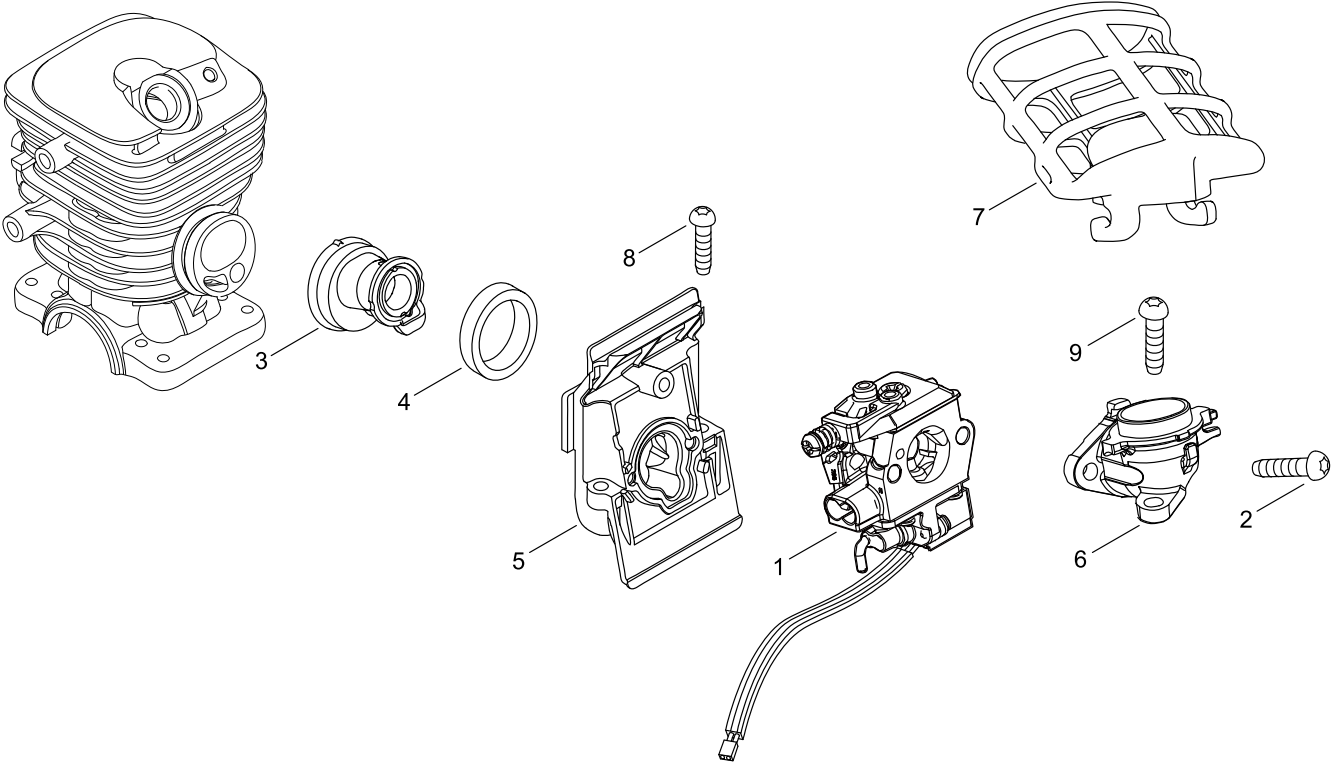
MAGNETO



MAGNETO

KEY NO	LV(+)	Part No	Description	Qty	Standard	Comment
1		A409-000350	ROTOR, MAGNETO	1	WALBRO FW57	
2		A411-001760	COIL, IGNITION	1	WJP MBU-83	
3		A427-000020	CAP, SPARK PLUG	1		
4		A426-000020	TERMINAL, SPARKPLUG	1		
5		100142-12330	KEY, WOODRUFF	1		
6		900515-00008	NUT, FLANGE	1	8	
7		V376-002500	SPACER	1		
8		V805-000210	BOLT, TORX 5	2	TB-5*20 12.9	
9		A514-000020	PAWL	2		
10		900603-00005	WASHER	2	5	
11		V203-000080	BOLT, 5	2	5*14	
12		177247-04630	SPACER, RATCHET	2	5.2*8*2.1	
13		177234-35430	SPRING, RETURN	2		
14		A425-000000	SPARKPLUG	1	BPMR8Y	

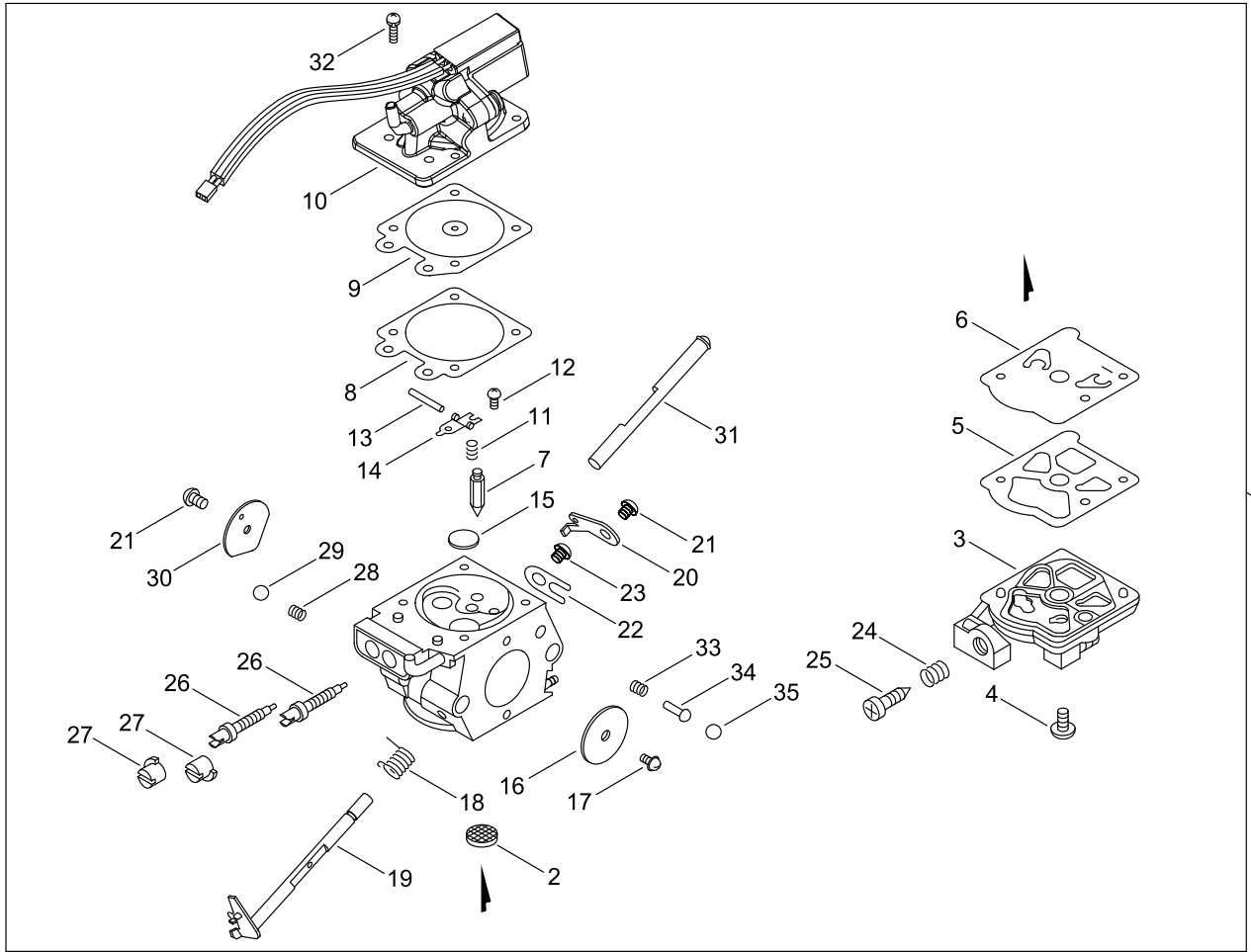
AIR CLEANER, CARBURETOR



AIR CLEANER, CARBURETOR

KEY NO	LV(+)	Part No	Description	Qty	Standard	Comment
1		A021-004760	CARBURETOR, DIAPHRAGM	1	WT-1216	
2		V805-000040	BOLT, TORX 5	2	TT-5*55 DG 10.9	
3		A202-000071	BELLOWS, INTAKE	1		
4		A206-000000	HOLDER, BELLOWS	1		
5		A200-000353	INSULATOR, INTAKE	1		
6		A204-000211	ELBOW, CARBURETOR	1		
7		A226-001420	ELEMENT, AIR FILTER	1		
8		V805-000010	BOLT, TORX 5	2	TT-5*20 DG 10.9	
9		V805-000000	BOLT, TORX 5	1	TT-5*16 DG 10.9	

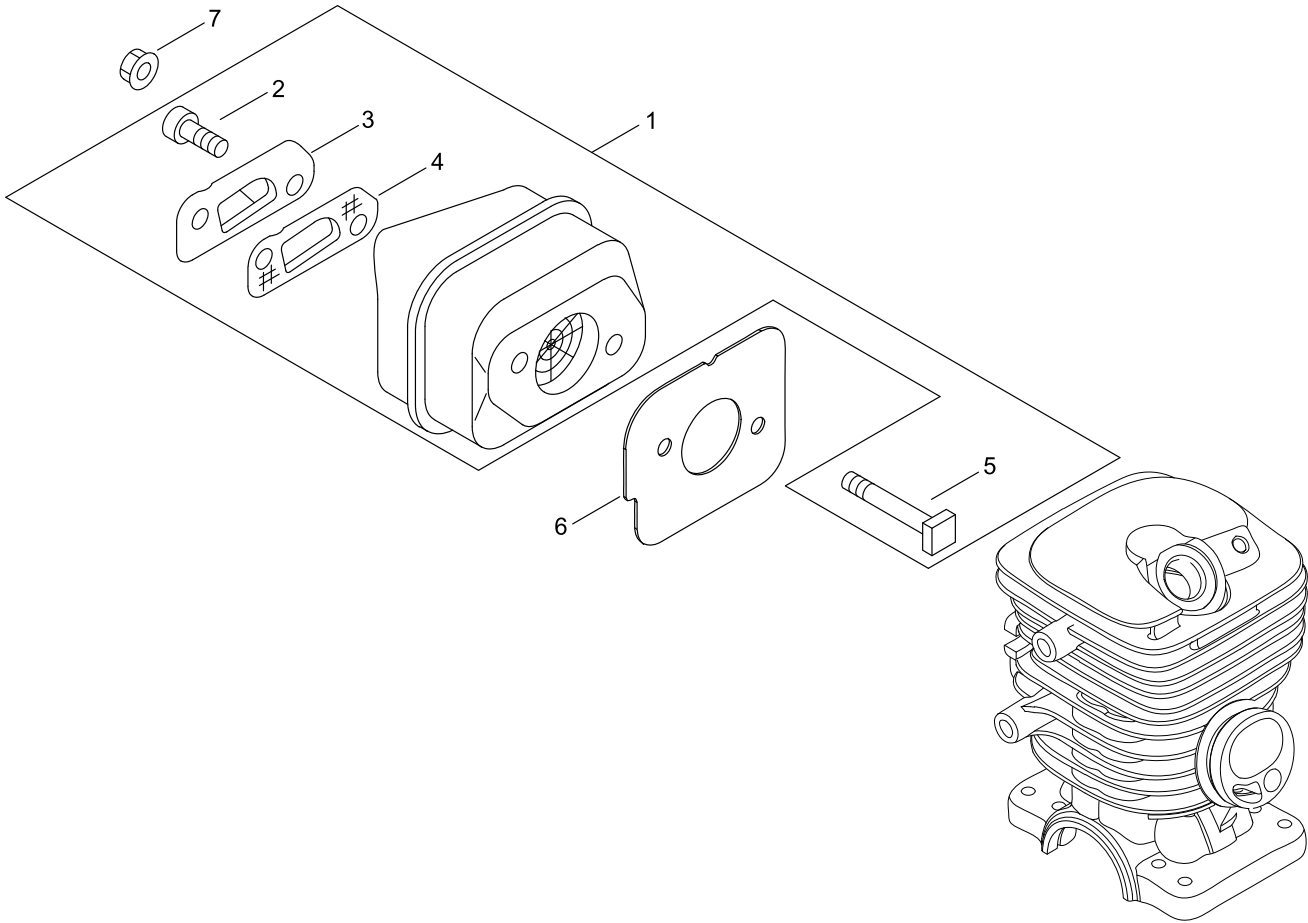
CARBURETOR



CARBURETOR

KEY NO	LV(+)	Part No	Description	Qty	Standard	Comment
1		A021-004760	CARBURETOR, DIAPHRAGM	1	WT-1216	
2	+	123126-10631	SCREEN, INLET	1		
3	+	123124-09520	COVER, FUEL PUMP	1		
4	+	123110-03930	SCREW, PUMP COVER	1		
5	+	123125-15030	GASKET, FUEL PUMP	1		
6	+	123112-15030	DIAPHRAGM, FUEL PUMP	1		
7	+	123137-19830	VALVE, INLET NEEDLE	1		
8	+	P003-006020	GASKET, M. DIAPHRAGM	1		
9	+	P003-001850	DIAPHRAGM, METERING	1		
10	+	P003-006030	COVER ASY, METERING	1		
11	+	123122-03660	SPRING, METER. LEVER	1		
12	+	123139-03930	SCREW, M. LEVER PIN	1		
13	+	123138-03930	PIN, METERING LEVER	1		
14	+	123123-03930	LEVER, METERING	1		
15	+	123146-10631	PLUG, WELCH	1		
16	+	123116-23230	VALVE, THROTTLE	1		
17	+	P003-002380	SCREW	1		
18	+	123113-37530	SPRING, THROTTLE RTN	1		
19	+	P003-002240	SHAFT ASY, THROTTLE	1		
20	+	P003-001040	LEVER THROTTLE	1		
21	+	123114-38830	SCREW	2		
22	+	123127-03930	CLIP, THROTTLE SHAFT	1		
23	+	P003-005120	SCREW	1		
24	+	123133-04260	SPRING, IDLE ADJUST	1		
25	+	123134-04260	SCREW, IDLE ADJUST	1		
26	+	P003-006040	NEEDLE	2		
27	+	P003-000010	LIMITER CAP	2		
28	+	123135-10630	SPRING, CHOKE FRICT.	1		
29	+	123136-10630	BALL, CHOKE FRICTION	1		
30	+	P003-002250	VALVE, CHOKE	1		
31	+	P003-006050	SHAFT-CHOKE	1		
32	+	P003-006060	SCREW	4		
33	+	123186-09660	SPRING, START VALVE	1		
34	+	123185-09660	PISTON ASSY	1		
35	+	123136-09660	BALL	1		

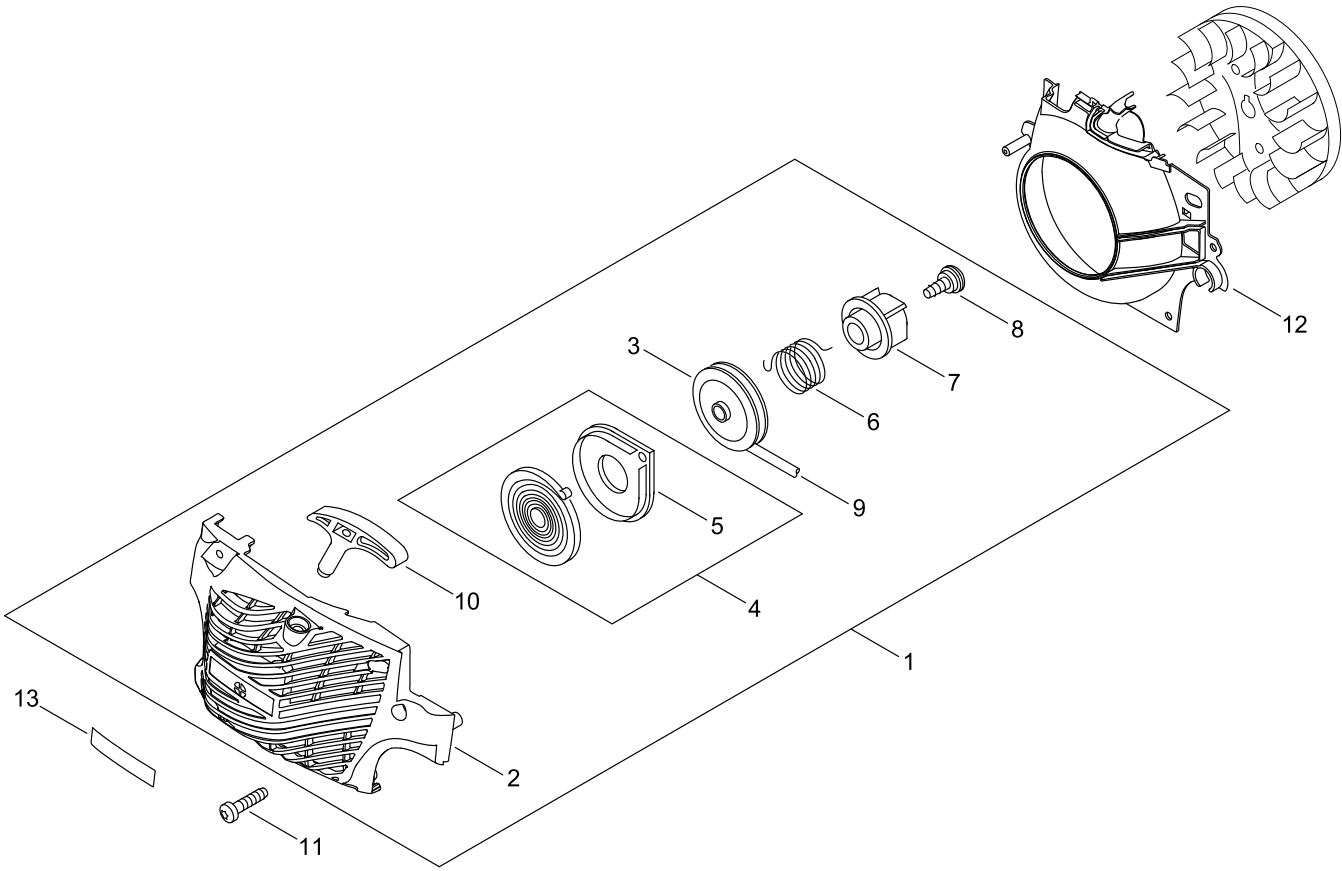
MUFFLER



MUFFLER

KEY NO	LV(+)	Part No	Description	Qty	Standard	Comment
1		P100-007710	MUFFLER ASY	1		
2	+	V804-000030	BOLT, TORX 4	2	TB-4*8 10.9	
3	+	A313-001120	GUIDE, EXHAUST	1	ID#1800	
4	+	A310-000060	SCREEN, ARRESTOR	1		
5	+	V203-000120	BOLT,5	2	L=60	
6		V104-000732	GASKET,EXHAUST	1		
7		900516-00005	NUT, FLANGE	2	5	

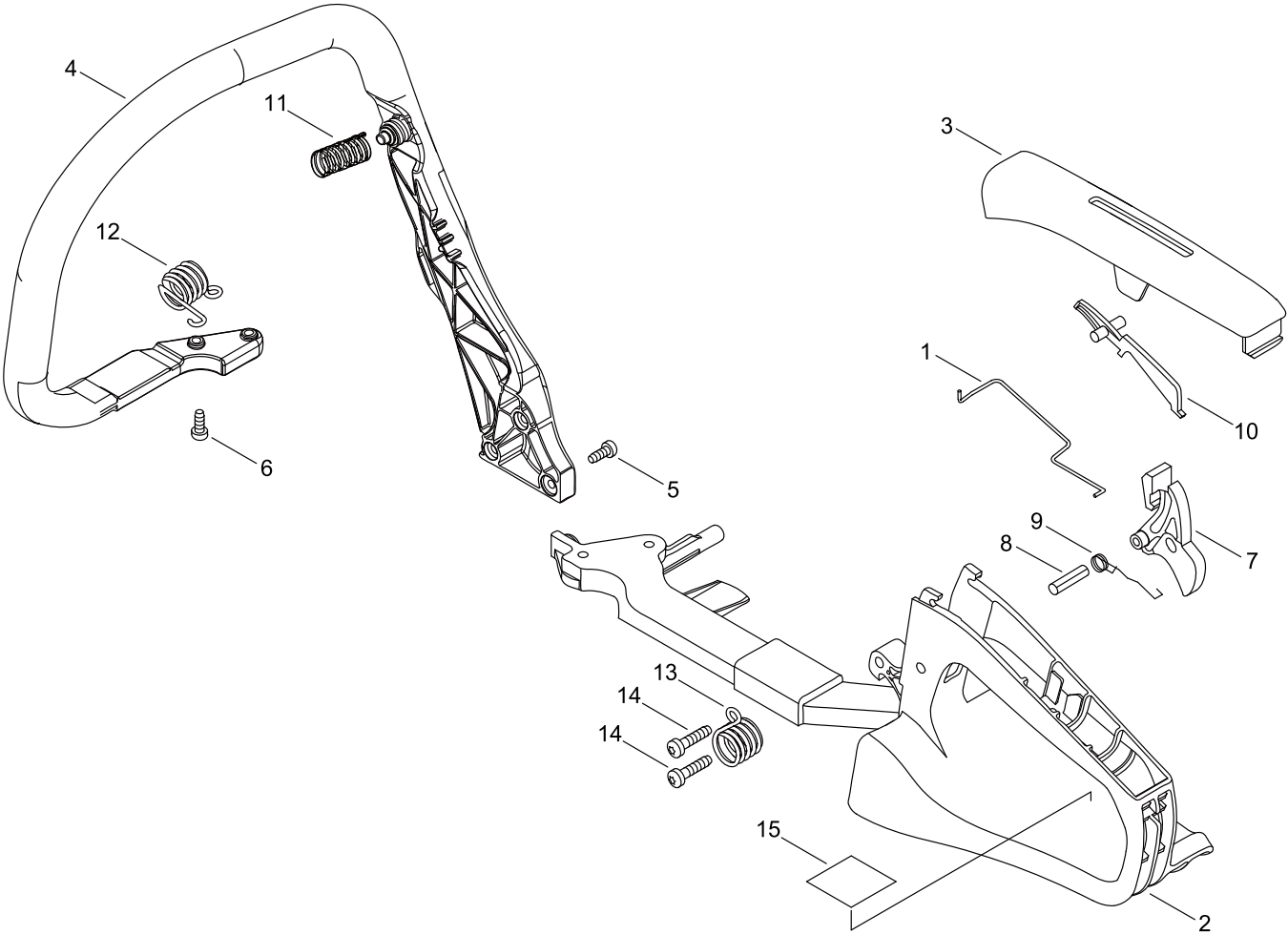
RECOIL STARTER



RECOIL STARTER

KEY NO	LV(+)	Part No	Description	Qty	Standard	Comment
1		A051-002741	STARTER,RECOIL ASY	1	ASSY EMC	
2	+	P022-039030	STARTER CASE	1		
3	+	P022-039040	DRUM, STARTER	1		
4	+	P022-039050	SPRING KIT, REWIND	1		
5	++	P022-033280	SPRING CASE	1		
6	+	V452-001320	SPRING,TORSION	1		
7	+	P022-039060	PLATE, CAM	1		
8	+	177236-61830	SCREW	1		
9	+	P022-035830	ROPE, STARTER	1		
10	+	P022-035820	GRIP, STARTER	1		
11		V805-000010	BOLT, TORX 5	4	TT-5*20 DG 10.9	
12		A172-003310	COVER,FAN	1		
13		X502-000670	LABEL,ECHO	1		

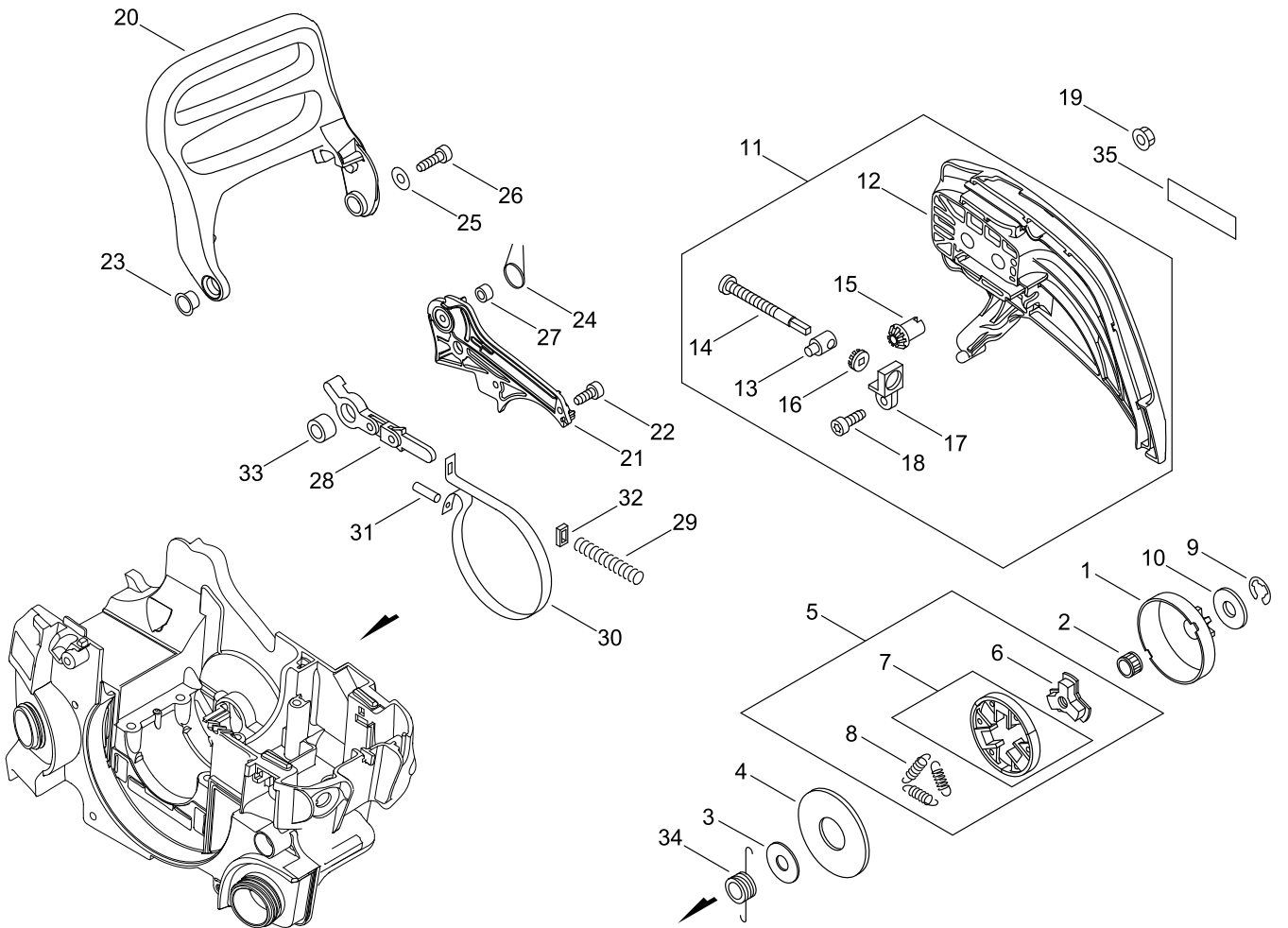
HANDLE



HANDLE

KEY NO	LV(+)	Part No	Description	Qty	Standard	Comment
1		C454-000160	ROD, THROTTLE	1		
2		C410-001030	HANDLE, REAR	1		
3		C411-000041	LID, HANDLE	1		
4		C400-001030	HANDLE, FRONT	1		
5		V805-000010	BOLT, TORX 5	3	TT-5*20 DG 10.9	
6		V805-000000	BOLT, TORX 5	2	TT-5*16 DG 10.9	
7		C450-000223	TRIGGER, THROTTLE	1		
8		900345-40025	PIN, SPRING	1	4*25	
9		V452-000260	SPRING, TORSION	1		
10		C460-000072	LOCKOUT, THROTTLE	1		
11		V450-001610	SPRING, COMPRESSION	1		
12		V450-000710	SPRING, COMPRESSION	1		
13		V450-001620	SPRING, COMPRESSION	1		
14		V805-000000	BOLT, TORX 5	3	TT-5*16 DG 10.9	
15		890345-39231	LABEL, CAUTION	1		

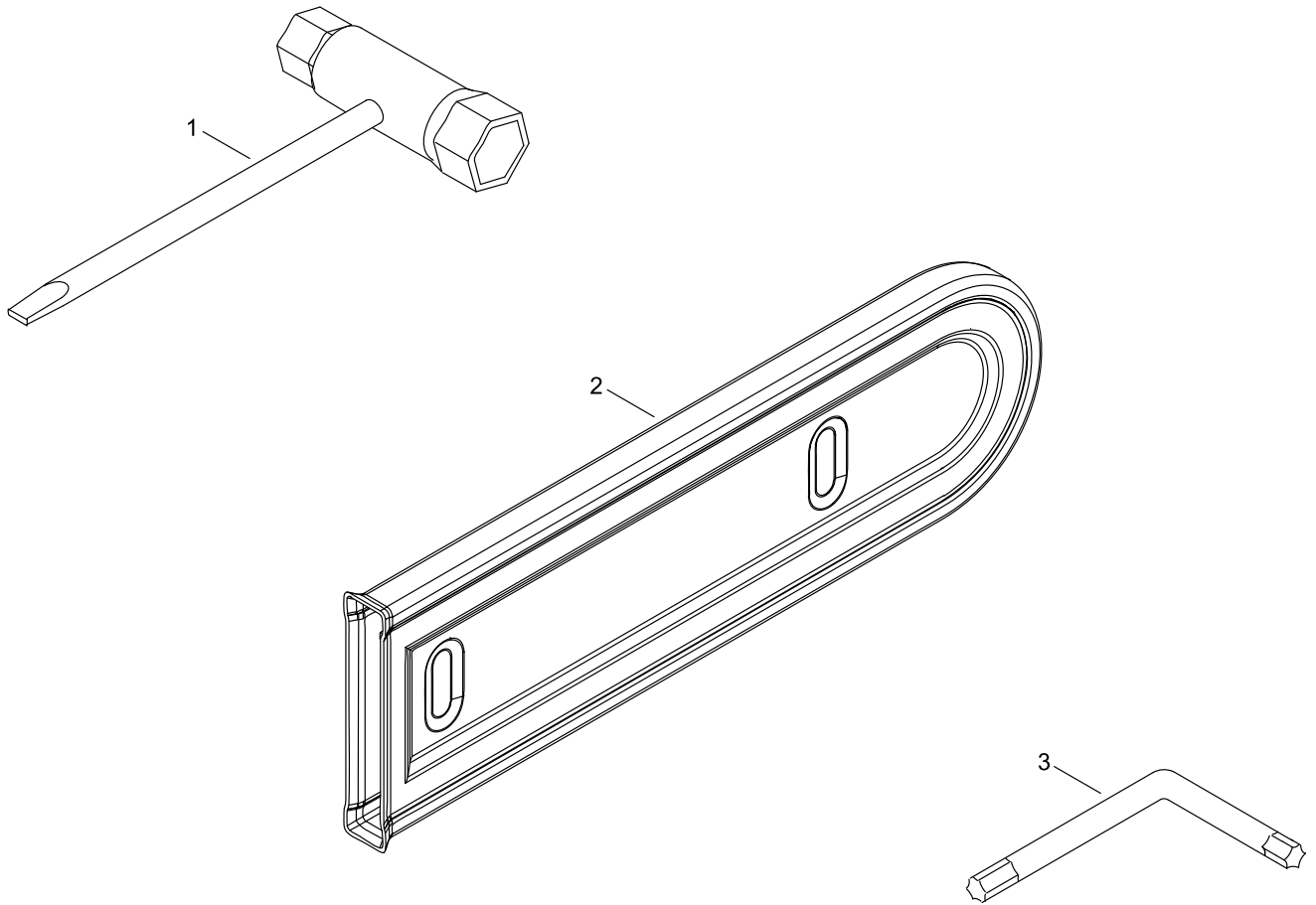
CHAIN BRAKE



CHAIN BRAKE

KEY NO	LV(+)	Part No	Description	Qty	Standard	Comment
1		A556-000543	DRUM, CLUTCH	1		
2		V553-000150	BEARING, NEEDLE 8	1		
3		A551-000080	PLATE, CLUTCH	1		
4		A551-000140	PLATE, CLUTCH	1		
5		A056-000211	CLUTCH ASY	1		
6	+	A552-000100	HUB, CLUTCH	1		
7	+	P021-005811	CLUTCH SHOE SET	1		
8	+	V451-000470	SPRING, TENSION	3		
9		V583-000120	RING	1		
10		100143-19830	WASHER	1	8.2*31*0.8	
11		P021-015112	GUARD, SPROCKET KIT	1		
12	+	C300-000402	GUARD, SPROCKET	1		
13	+	C309-000030	TENSIONER, CHAIN	1		
14	+	V203-000110	BOLT, 5	1		
15	+	V651-000001	GEAR, BEVEL	1		
16	+	V651-000011	GEAR, BEVEL	1		
17	+	V355-000140	COLLAR, 8	1		
18	+	V804-000000	BOLT, TORX 4	1	TT-4*12 DG 10.9	
19		V265-000200	NUT	2		
20		C320-000173	LEVER, BRAKE	1		
21		C345-000660	COVER, BRAKE	1		
22		V804-000000	BOLT, TORX 4	3	TT-4*12 DG 10.9	
23		V356-000430	COLLAR, 10	1		
24		V452-000250	SPRING, TORSION	1		
25		177214-03930	WASHER	1		
26		V804-000020	BOLT, TORX 4	1	TT-4*20 DG 10.9	
27		433116-35430	SPACER 8	1	8*12*9	
28		C334-000100	CONNECTOR, BRAKE	1		
29		V450-000070	SPRING, COMPRESSION	1		
30		C328-000030	BAND, BRAKE	1		
31		93050-30098	ROLLER	1	3*9.8	
32		V376-000450	SPACER	1		
33		433116-35430	SPACER 8	1	8*12*9	
34		V652-000040	GEAR, WORM	1		
35		X502-000340	LABEL, ECHO	1	ECHO(WHITE)	



ACCESSORIES



ACCESSORIES

KEY NO	LV(+)	Part No	Description	Qty	Standard	Comment
1		X602-000080	TOOL,WRENCH	1	13*19 L180	
2		X490-000510	SCABBARD,CHAIN	1	350	
3		X605-000170	TOOL,L WRENCH	1		

GUIDE BAR, CHAIN

Pitch ピッチ (inch) (mm)	Gauge ゲージ (inch) (mm)	Length 長さ (cm)	Guide Bar ガイドバー		Saw Chain ソーチェーン		Hard Nose ハード ノーズ 	Sprocket Nose スプロケット ノーズ 
			Key No	Type 形式	Key No	Type 形式		
3/8 9.53	0.043 1.09	30	A1	C30S90-45SA- ET	A2	90PX-45E		●
3/8 9.53	0.050 1.27	30	B1	C30S91-47ML- EC	B2	91PX-47E		●
3/8 9.53	0.050 1.27	30	C1	C30S91-47ML- EC	C2	91VXL-47E		●
3/8 9.53	0.043 1.09	35	D1	C35S90-52SA- ET	D2	90PX-52E		●
3/8 9.53	0.050 1.27	35	E1	C35S91-53ML- EC	E2	91PX-53E		●
3/8 9.53	0.050 1.27	35	F1	C35S91-53ML- EC	F2	91VXL-53E		●

GUIDE BAR, CHAIN

KEY NO	LV(+)	Part No	Description	Qty	Standard	Comment
A1		X122-000181	BAR,GUIDE 30	1	C30S90-45SA-ET	
A2		X222-000150	CHAIN,SAW	1	90PX-45E 43	
B1		X122-000341	BAR,GUIDE 30	1	C30S91-47ML-EC	
B2		X222-000140	CHAIN,SAW	1	91PX-47E	
C1		X122-000341	BAR,GUIDE 30	1	C30S91-47ML-EC	
C2		X222-000130	CHAIN,SAW	1	91VXL-47E	
D1		X123-000231	BAR,GUIDE 35	1	C35S90-52SA-ET	
D2		X223-000150	CHAIN,SAW	1	90PX-52E	
E1		X123-000551	BAR,GUIDE 35	1	C35S91-53ML-EC	
E2		X223-000130	CHAIN,SAW	1	91PX-53E	
F1		X123-000551	BAR,GUIDE 35	1	C35S91-53ML-EC	
F2		X223-000080	CHAIN,SAW	1	91VXL-53E	

NUMERICAL PARTS INDEX

Part No	Part description	Page	Part No	Part description	Page	Part No	Part description	Page
100013-1-5330	PIN, PISTON	2	123139-0-3930	SCREW, M. LEVER PIN	10	A021-00-4760	CARBURETOR, DIAPHRAGM	8
100014-1-1520	SPACER, PISTON PIN	2	123146-1-0631	PLUG, WELCH	10	A021-00-4760	CARBURETOR, DIAPHRAGM	10
100015-0-4630	CIRCLIP, PISTON PIN	2	123181-3-9130	PUMP, PRIMER	4	A051-00-2741	STARTER,RECOIL ASY	14
100142-1-2330	KEY, WOODRUFF	6	123185-0-9660	PISTON ASSY	10	A056-00-0211	CLUTCH ASY	18
100143-1-9830	WASHER	18	123186-0-9660	SPRING, START VALVE	10	A101-00-0580	RING, PISTON	2
100927-3-5830	PIPE	4	130110-0-5261	PIPE 3* 6*185	4	A172-00-3310	COVER,FAN	14
123110-0-3930	SCREW, PUMP COVER	10	130338-3-2430	PLUG, COVER	4	A200-00-0353	INSULATOR, INTAKE	8
123112-1-5030	DIAPHRAGM, FUEL PUMP	10	132115-0-1462	GROMMET	4	A202-00-0071	BELLOWS, INTAKE	8
123113-3-7530	SPRING, THROTTLE RTN	10	132115-4-4331	GROMMET, FUEL	4	A204-00-0211	ELBOW, CARBURETOR	8
123114-3-8830	SCREW	10	177214-0-3930	WASHER	18	A206-00-0000	HOLDER, BELLOWS	8
123116-2-3230	VALVE, THROTTLE	10	177234-3-5430	SPRING, RETURN	6	A226-00-1420	ELEMENT, AIR FILTER	8
123122-0-3660	SPRING, METER. LEVER	10	177236-6-1830	SCREW	14	A310-00-0060	SCREEN, ARRESTOR	12
123123-0-3930	LEVER, METERING	10	177247-0-4630	SPACER, RATCHET	6	A313-00-1120	GUIDE, EXHAUST	12
123124-0-9520	COVER, FUEL PUMP	10	433116-3-5430	SPACER 8	18	A356-00-0031	VALVE,CHECK	4
123125-1-5030	GASKET, FUEL PUMP	10	436114-1-3930	VALVE, CHECK	4	A365-00-0050	CONNECTOR,CAP	4
123126-1-0631	SCREEN, INLET	10	890157-3-9131	LABEL, SWITCH	4	A369-00-0420	STRAINER, FUEL	4
123127-0-3930	CLIP, THROTTLE SHAFT	10	890345-3-9231	LABEL,CAUTION	16	A409-00-0350	ROTOR, MAGNETO	6
123133-0-4260	SPRING, IDLE ADJUST	10	900345-4-0025	PIN, SPRING	16	A411-00-1760	COIL, IGNITION	6
123134-0-4260	SCREW, IDLE ADJUST	10	900515-0-0008	NUT, FLANGE	6	A425-00-0000	SPARKPLUG	6
123135-1-0630	SPRING, CHOKE FRICT.	10	900516-0-0005	NUT, FLANGE	12	A426-00-0020	TERMINAL, SPARKPLUG	6
123136-0-9660	BALL	10	900603-0-0005	WASHER	6	A427-00-0020	CAP,SPARK PLUG	6
123136-1-0630	BALL, CHOKE FRICTION	10	900720-0-0018	O-RING	4	A440-00-1190	SWITCH, ON OFF	4
123137-1-9830	VALVE, INLET NEEDLE	10	93050-30-098	ROLLER	18	A514-00-0020	PAWL	6
123138-0-3930	PIN, METERING LEVER	10	94035-36-201	BEARING, BALL	2	A551-00-0080	PLATE, CLUTCH	18

NUMERICAL PARTS INDEX

Part No	Part description	Page	Part No	Part description	Page	Part No	Part description	Page
A551-00-0140	PLATE, CLUTCH	18	P003-00-2250	VALVE, CHOKE	10	P100-00-7700	ENGINE COVER ASY	4
A552-00-0100	HUB, CLUTCH	18	P003-00-2380	SCREW	10	P100-00-7710	MUFFLER ASY	12
A556-00-0543	DRUM, CLUTCH	18	P003-00-5120	SCREW	10	V104-00-0732	GASKET,EXHAUST	12
C022-00-0190	AUTO-OILER ASSEMBLY	4	P003-00-6020	GASKET, M. DIAPHRAGM	10	V137-00-0001	GROMMET,FUEL	4
C300-00-0402	GUARD, SPROCKET	18	P003-00-6030	COVER ASY, METERING	10	V186-00-0510	JOINT,PIPE	4
C309-00-0030	TENSIONER,CHAIN	18	P003-00-6040	NEEDLE	10	V203-00-0080	BOLT,5	6
C320-00-0173	LEVER, BRAKE	18	P003-00-6050	SHAFT-CHOKE	10	V203-00-0110	BOLT,5	18
C328-00-0030	BAND,BRAKE	18	P003-00-6060	SCREW	10	V203-00-0120	BOLT,5	12
C334-00-0100	CONNECTOR, BRAKE	18	P021-00-5581	OIL CAP ASY	4	V225-00-0370	BOLT,STUD 8	4
C345-00-0660	COVER,BRAKE	18	P021-00-5811	CLUTCH SHOE SET	18	V265-00-0200	NUT	18
C400-00-1030	HANDLE, FRONT	16	P021-01-5072	CRANKSHAFT,ASSY	2	V341-00-0120	WASHER,SQUARE	4
C410-00-1030	HANDLE,REAR	16	P021-01-5112	GUARD,SPROCKET KIT	18	V355-00-0140	COLLAR,8	18
C411-00-0041	LID,HANDLE	16	P021-03-5190	CRANKCASE KIT	2	V356-00-0430	COLLAR,10	18
C450-00-0223	TRIGGER, THROTTLE	16	P021-03-5201	PISTON KIT	2	V376-00-0450	SPACER	18
C454-00-0160	ROD, THROTTLE	16	P021-03-7920	FUEL CAP ASY	4	V376-00-2500	SPACER	6
C460-00-0072	LOCKOUT, THROTTLE	16	P022-03-3280	SPRING CASE	14	V420-00-1790	CUSHION	4
C463-00-0100	KNOB, LATCH	4	P022-03-5820	GRIP, STARTER	14	V450-00-0070	SPRING, COMPRESSION	18
C617-00-0500	STOPPER	4	P022-03-5830	ROPE, STARTER	14	V450-00-0710	SPRING, COMPRESSION	16
E123-00-0060	CONNECTOR, BRACKET	4	P022-03-9030	STARTER CASE	14	V450-00-1610	SPRING, COMPRESSION	16
J485-00-0200	HINGE	4	P022-03-9040	DRUM, STARTER	14	V450-00-1620	SPRING, COMPRESSION	16
P003-00-0010	LIMITER CAP	10	P022-03-9050	SPRING KIT, REWIND	14	V451-00-0470	SPRING,TENSION	18
P003-00-1040	LEVER THROTTLE	10	P022-03-9060	PLATE, CAM	14	V452-00-0250	SPRING,TORSION	18
P003-00-1850	DIAPHRAGM, METERING	10	P100-00-1900	STRAINER, OIL	4	V452-00-0260	SPRING,TORSION	16
P003-00-2240	SHAFT ASY, THROTTLE	10	P100-00-4330	CYLINDER COVER ASY	4	V452-00-1320	SPRING,TORSION	14

NUMERICAL PARTS INDEX

Part No	Part description	Page	Part No	Part description	Page
V456-00-0240	HOLDER,SPRING	2	V805-00-0010	BOLT, TORX 5	14
V470-00-0810	PIPE	4	V805-00-0010	BOLT, TORX 5	16
V471-00-1281	PIPE	4	V805-00-0040	BOLT, TORX 5	8
V471-00-1561	PIPE	4	V805-00-0140	BOLT, TORX 5	2
V471-00-2171	PIPE	4	V805-00-0180	BOLT, TORX 5	4
V485-00-1070	LEAD	4	V805-00-0210	BOLT, TORX 5	6
V485-00-1080	LEAD	4	V805-00-0220	BOLT, TORX 5	2
V490-00-0400	CLIP	4	X122-00-0181	BAR,GUIDE 30	22
V490-00-1240	CLIP	4	X122-00-0341	BAR,GUIDE 30	22
V505-00-0011	SEAL,OIL 12	2	X123-00-0231	BAR,GUIDE 35	22
V553-00-0060	BEARING,NEEDLE 8	2	X123-00-0551	BAR,GUIDE 35	22
V553-00-0150	BEARING,NEEDLE 8	18	X222-00-0130	CHAIN,SAW	22
V581-00-0610	RING,O	4	X222-00-0140	CHAIN,SAW	22
V583-00-0120	RING	18	X222-00-0150	CHAIN,SAW	22
V622-00-0070	PIN,STRAIGHT 4	4	X223-00-0080	CHAIN,SAW	22
V651-00-0001	GEAR,BEVEL	18	X223-00-0130	CHAIN,SAW	22
V651-00-0011	GEAR,BEVEL	18	X223-00-0150	CHAIN,SAW	22
V652-00-0040	GEAR,WORM	18	X490-00-0510	SCABBARD,CHAIN	20
V804-00-0000	BOLT, TORX 4	18	X502-00-0340	LABEL,ECHO	18
V804-00-0020	BOLT, TORX 4	18	X502-00-0670	LABEL,ECHO	14
V804-00-0030	BOLT, TORX 4	12	X503-01-5240	LABEL,MODEL	4
V805-00-0000	BOLT, TORX 5	8	X524-00-1901	LABEL	4
V805-00-0000	BOLT, TORX 5	16	X602-00-0080	TOOL,WRENCH	20
V805-00-0010	BOLT, TORX 5	8	X605-00-0170	TOOL,L WRENCH	20