



PARTS CATALOG

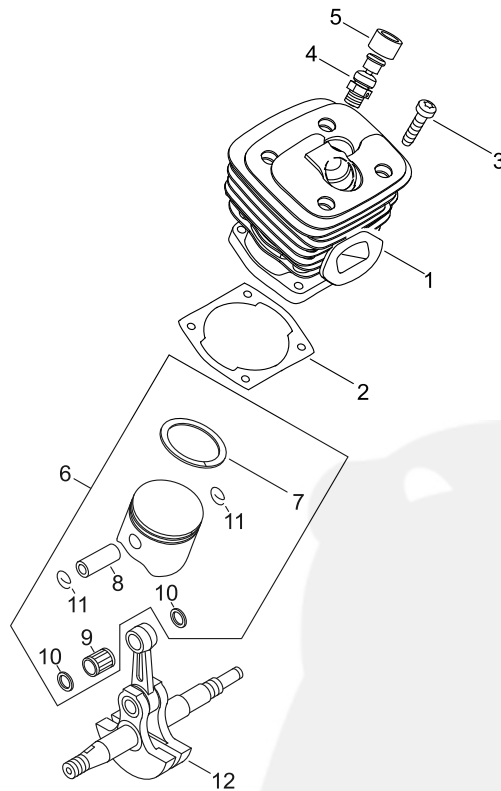
CHAIN SAW CS-610(37)

37003869 -

CE

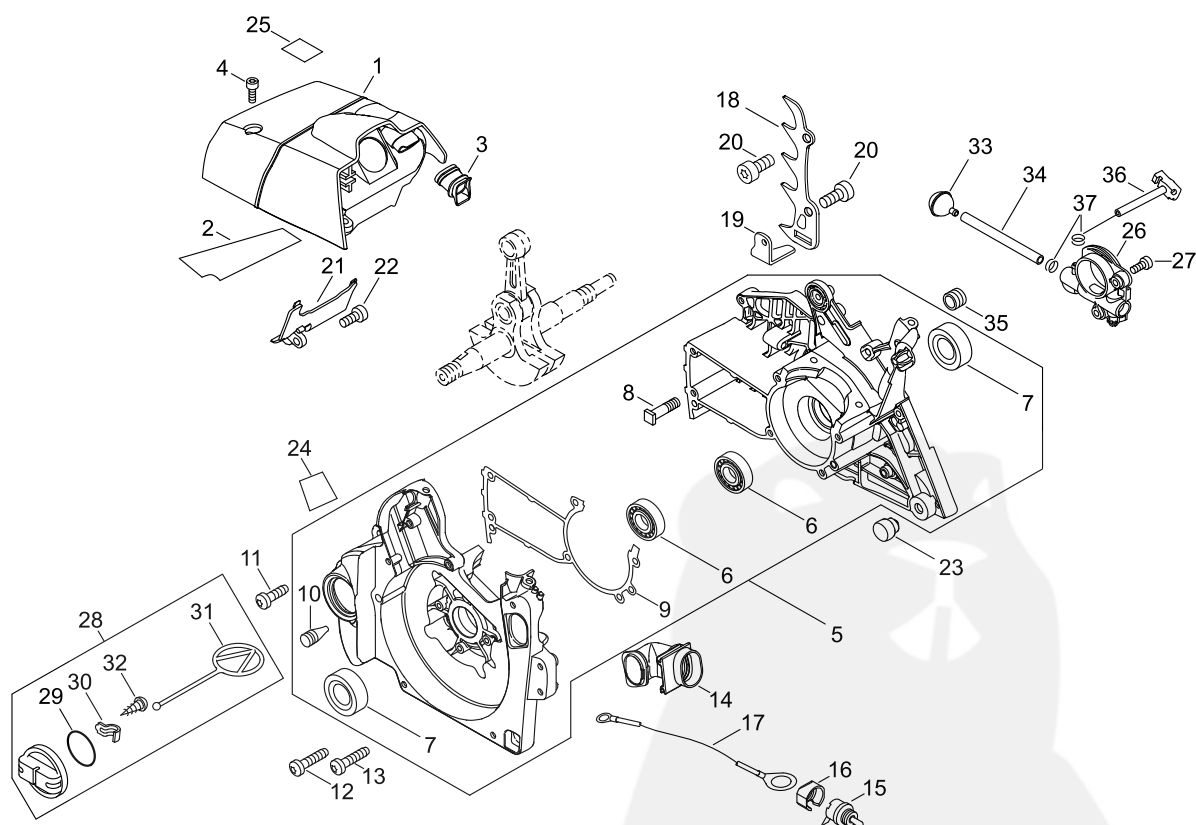
P014-001701-14Cb

1. CYLINDER, CRANKCASE, PISTON



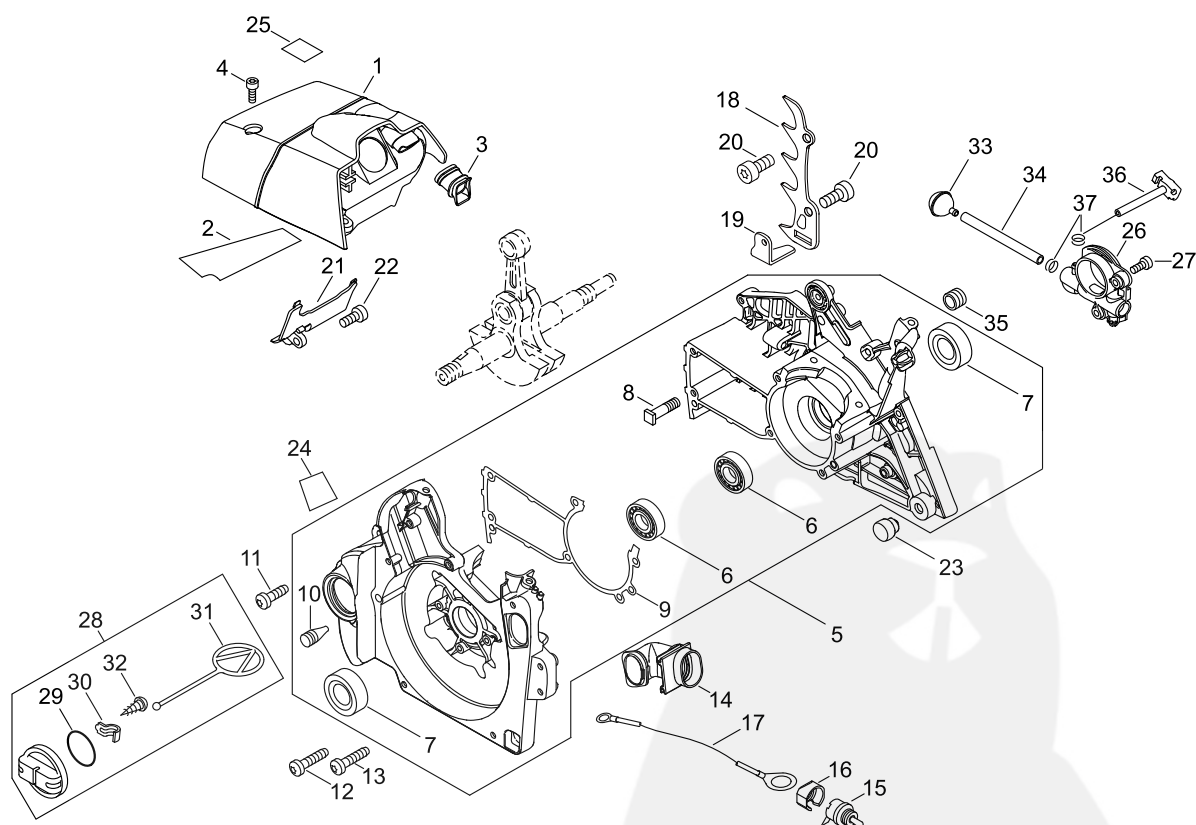
KEY	LV	PART NUMBER	Q'TY	DESCRIPTION	REMARKS	NOTE1	NOTE2
1		A130-002041	1	CYLINDER			
2		V100-000270	1	GASKET,CYL			
3		V805-000220	4	BOLT, TORX 5	TB-5*25 12.9		
4		A014-000040	1	DECOMP,ASM			
5		V141-000090	1	GROMMET,PLUG			
6		P021-038790	1	PISTON KIT			
7	+	A101-000210	1	RING, PISTON	45*1.5*1.9		
8	+	V609-000010	1	PIN,ENG 11	7*11*37.6		
9	+	V556-000000	1	BEARING,NEEDLE 11	KBK11*15*15.8X2		
10	+	V308-000040	2	WASHER,CIRCULAR 11	11.2*19.5*0.5		
11	+	V580-000030	2	RING,END	D 1.0		
12		A011-001270	1	CRANKSHAFT,ASY	CSB-620PW		

2. ENGINE COVER



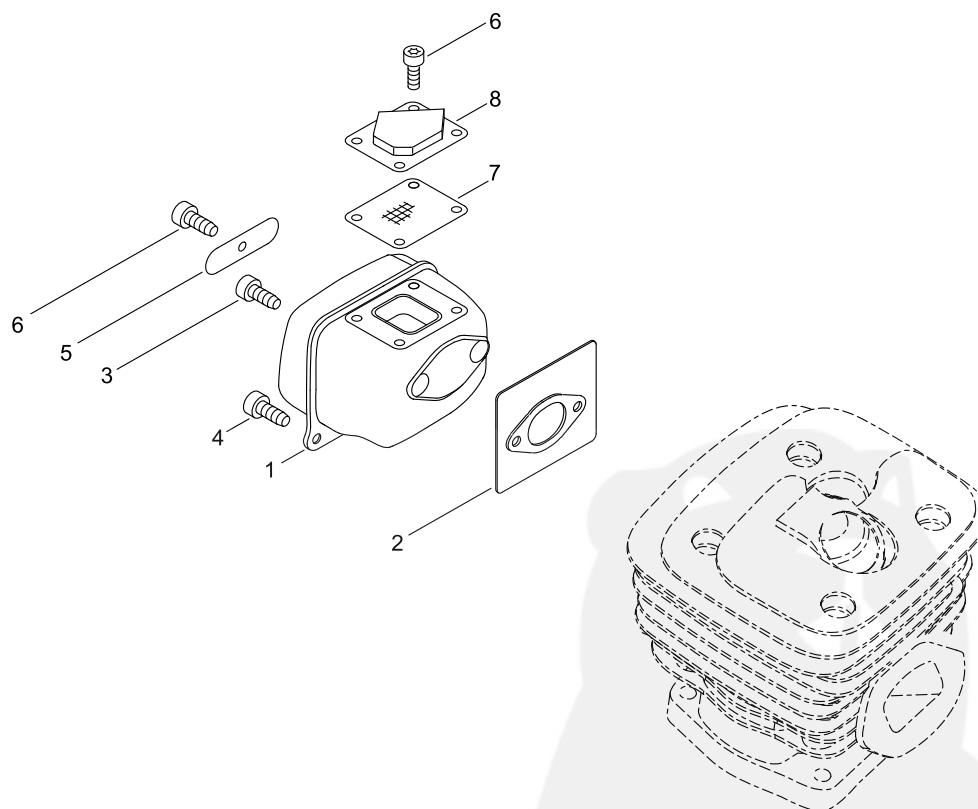
KEY	LV	PART NUMBER	Q'TY	DESCRIPTION	REMARKS	NOTE1	NOTE2
1		A160-001081	1	COVER,CYLINDER			
2		V341-000140	1	WASHER,SQUARE	75*32*0.15		
3		A239-000070	1	PIPE, INTAKE			
4		V805-000000	3	BOLT, TORX 5	TT-5*16 DG 10.9		
5		P021-043312	1	CRANKCASE SET			
6	+	94036-46202	2	BEARING BALL			
7	+	V508-000010	2	SEAL,OIL 15	ISCD 15*25*7		
8	+	V205-000401	2	BOLT,8			
9	+	V102-000060	1	GASKET,CRANKCASE	T0.4		
10	+	436114-13930	1	VALVE, CHECK			
11		V805-000010	2	BOLT, TORX 5	TT-5*20 DG 10.9		
12		V805-000020	4	BOLT, TORX 5	TT-5*35 DG 10.9		
13		V805-000170	1	BOLT, TORX 5	TB-5*25 10.9		
14		A239-000060	1	PIPE, INTAKE			
15		A440-001190	1	SWITCH, ON OFF			
16		A472-000091	1	CASE,SWITCH			
17		V485-001101	1	LEAD	L:170/LA105		
18		C304-000260	1	SPIKED			
19		C310-000010	1	CATCHER, CHAIN			
20		V805-000000	2	BOLT, TORX 5	TT-5*16 DG 10.9		
21		E106-000020	1	GUIDE,AIR			

2. ENGINE COVER



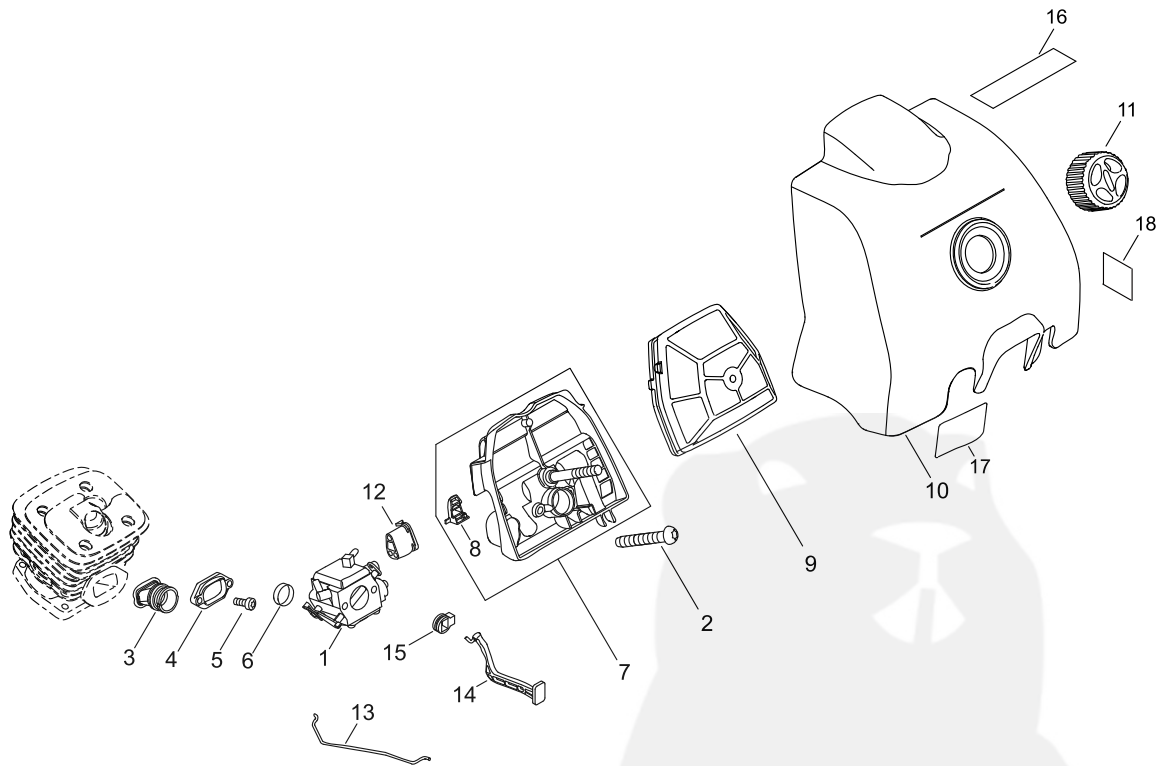
KEY	LV	PART NUMBER	Q'TY	DESCRIPTION	REMARKS	NOTE1	NOTE2
22		V805-000000	1	BOLT, TORX 5	TT-5*16 DG 10.9		
23		V420-003800	2	CUSHION			
24		V376-001780	1	SPACER			
25		890345-39231	1	LABEL, CAUTION			
26		C022-000052	1	AUTO-OILER ASSEMBLY			
27		V804-000000	2	BOLT, TORX 4	TT-4*12 DG 10.9		
28		P021-016031	1	CAP, OIL			
29	+	900720-00028	1	O-RING 28	P-28		
30	+	131050-19830	1	RETAINER, LINK			
31	+	131051-19830	1	LINK	60L		
32	+	900246-03008	1	SCREW 3*8	3*8		
33		436205-14730	1	STRAINER, OIL			
34		437210-30830	1	PIPE, OIL	NBR 3*6*210L		
35		132115-01461	1	GROMMET			
36		V470-000830	1	PIPE			
37		V490-001240	2	CLIP			

3. MUFFLER



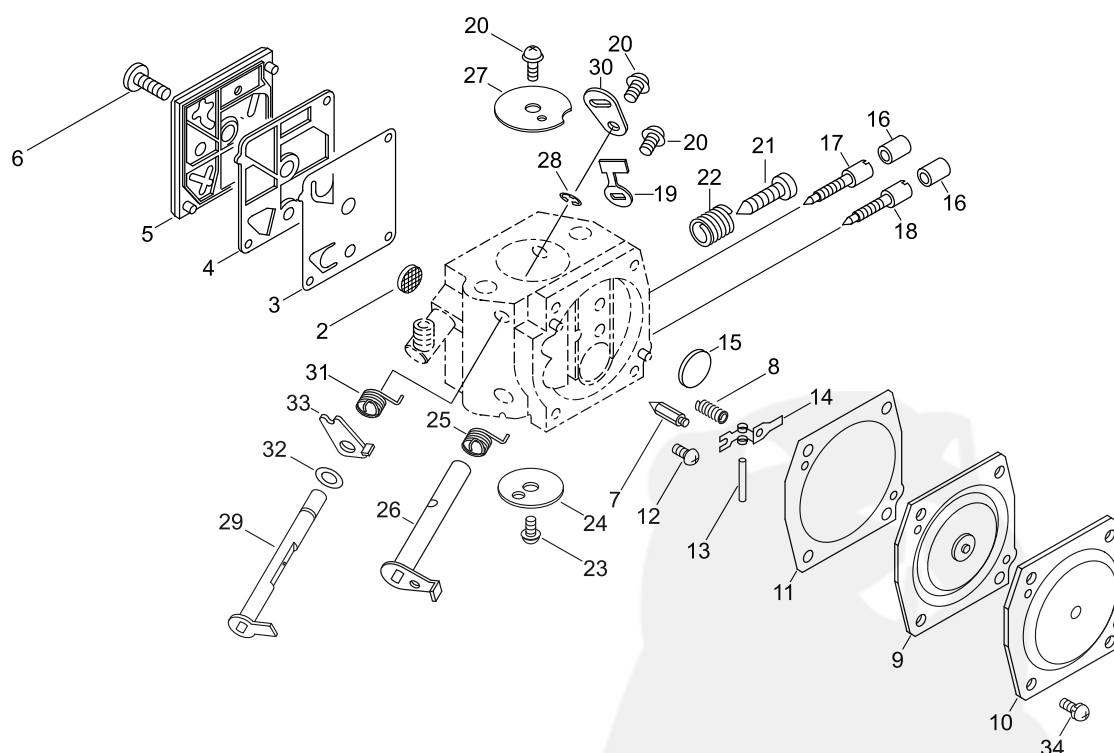
KEY	LV	PART NUMBER	Q'TY	DESCRIPTION	REMARKS	NOTE1	NOTE2
1		A300-001570	1	MUFFLER, EXHAUST			
2		V104-002150	1	GASKET, EXHAUST	T 1.6		
3		V805-000210	2	BOLT, TORX 5	TB-5*20 12.9		
4		V855-000000	2	BOLT, TORX 5	TB-5*20		
5		A301-000030	1	PLATE, MUFFLER	T0.5		
6		V804-000030	5	BOLT, TORX 4	TB-4*8 10.9		
7		A310-000100	1	SCREEN, ARRESTOR			
8		A031-000020	1	GUIDE, EXHAUST			

4. AIR CLEANER, CARBURETOR



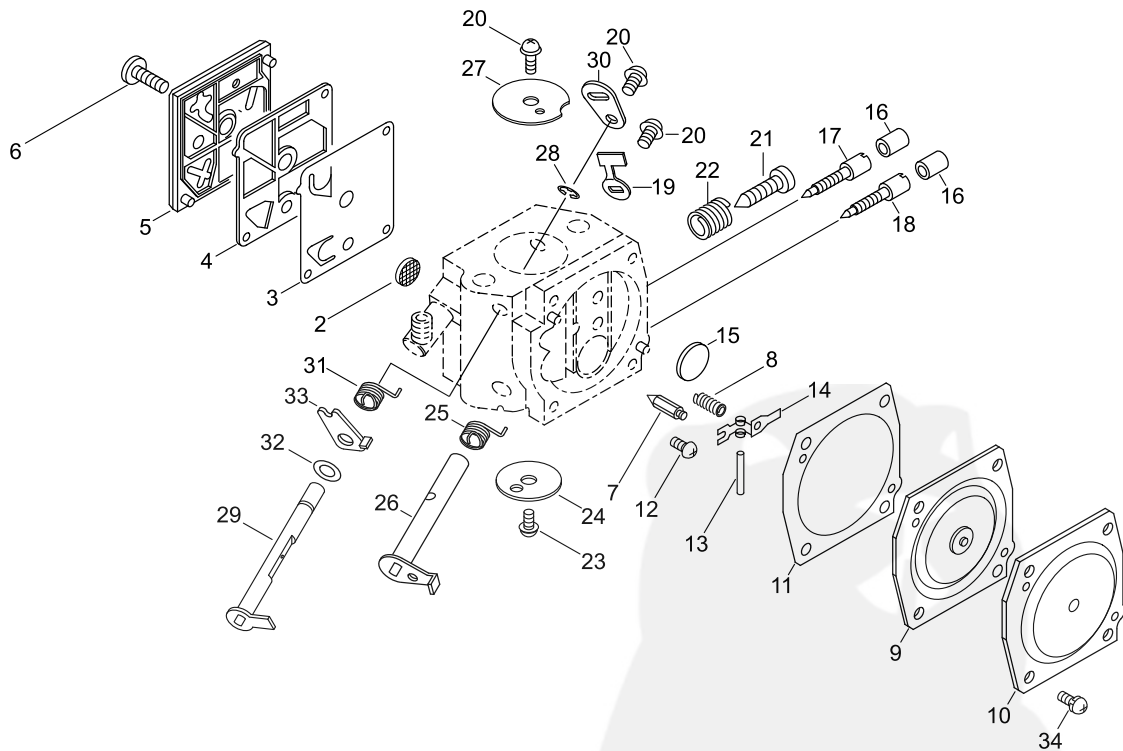
KEY	LV	PART NUMBER	Q'TY	DESCRIPTION	REMARKS	NOTE1	NOTE2
1		A021-001661	1	CARBURETOR,DIAPHRAGM	HDA-268A		
2		V805-000080	2	BOLT, TORX 5	TB-5*50 10.9		
3		A202-000081	1	BELLOWS, INTAKE			
4		A206-000010	1	HOLDER, BELLOWS			
5		V805-000000	2	BOLT, TORX 5	TT-5*16 DG 10.9		
6		V360-000060	1	COLLAR, 18			
7		P021-016022	1	CASE,CLEANER			
8	+	A219-000000	1	SHUTTER, AIR			
9		P021-016371	1	ELEMENT,AIR FILTER			
10		A232-000472	1	LID,CLEANER			
11		A235-000191	1	KNOB,CLEANER LID			
12		V131-000020	1	GROMMET,NEEDLE			
13		C454-000170	1	ROD, THROTTLE			
14		A241-000171	1	KNOB, CHOKE			
15		V130-000030	1	GROMMET,CHOKE			
16		X503-011290	1	LABEL,MODEL	CS-610		
17		890157-39131	1	LABEL, SWITCH			
18		890631-38131	1	LABEL, CAUTION			

5. CARBURETOR



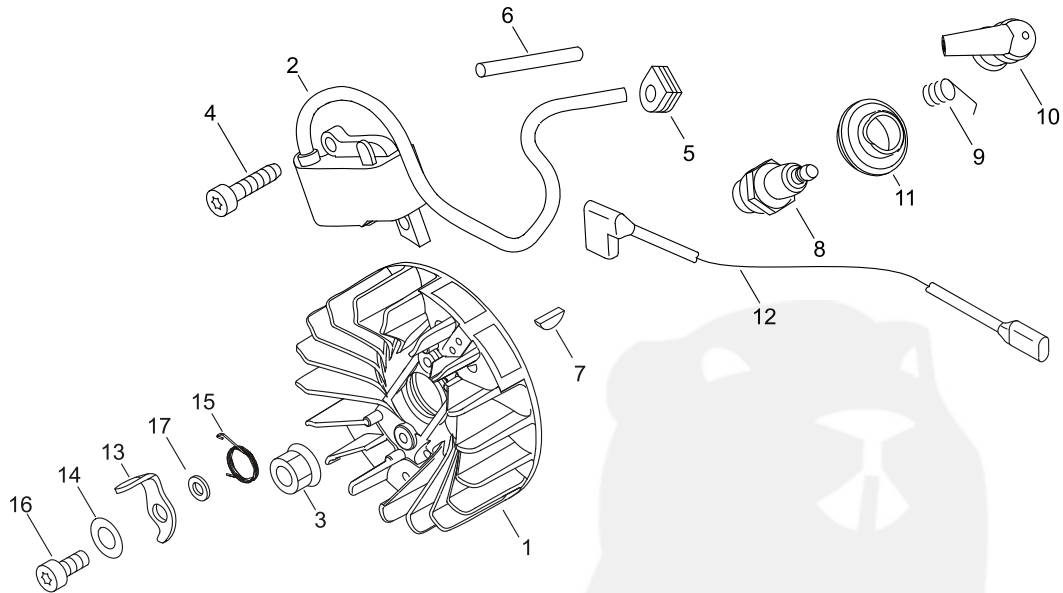
KEY	LV	PART NUMBER	Q'TY	DESCRIPTION	REMARKS	NOTE1	NOTE2
		A021-001661	1	CARBURETOR,DIAPHRAGM	HDA-268A		
2	+	123126-10631	1	SCREEN, INLET			
3	+	123112-12330	1	DIAPHRAGM, FUEL PUMP			
4	+	123125-12330	1	GASKET, FUEL PUMP			
5	+	123124-19830	1	COVER, FUEL PUMP			
6	+	123110-16130	1	SCREW, PUMP COVER			
7	+	123137-19830	1	VALVE, INLET NEEDLE			
8	+	123122-32630	1	SPRING, METER. LEVER			
9	+	P003-004920	1	DIAPHRAGM ASSY	95-649		
10	+	123142-17330	1	COVER, M. DIAPHRAGM			
11	+	123140-16130	1	GASKET, M. DIAPHRAGM			
12	+	123139-03930	1	SCREW, M. LEVER PIN			
13	+	123138-03930	1	PIN, METERING LEVER			
14	+	123123-18330	1	LEVER, METERING			
15	+	123146-10631	1	PLUG, WELCH			
16	+	P003-000010	2	LIMITER CAP			
17	+	123118-02261	1	NEEDLE			
18	+	123120-32631	1	NEEDLE, HIGH SPEED			
19	+	123156-30830	1	STOP, THROTTLE			
20	+	123114-38830	3	SCREW			
21	+	123134-04260	1	SCREW, IDLE ADJUST			
22	+	123133-04260	1	SPRING, IDLE ADJUST			
23	+	P003-002380	1	SCREW			
24	+	123132-16130	1	VALVE, CHOKE			
25	+	P003-000560	1	SPRING, THRT. RETURN			

5. CARBURETOR



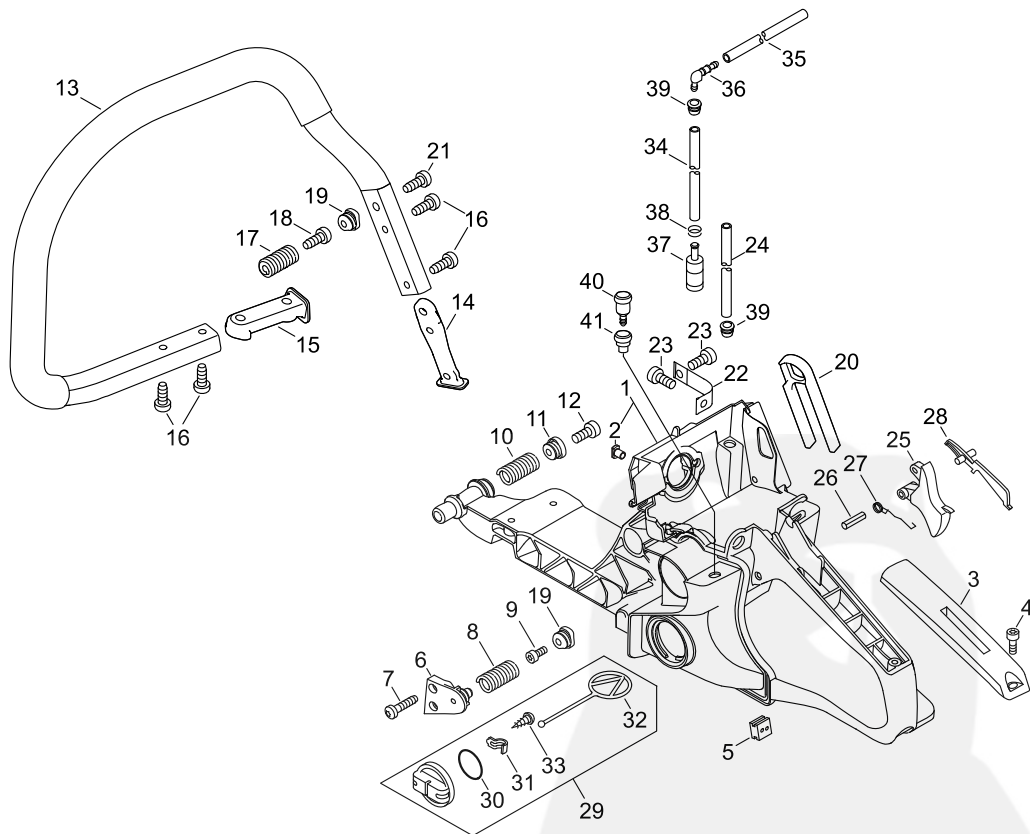
KEY	LV	PART NUMBER	Q'TY	DESCRIPTION	REMARKS	NOTE1	NOTE2
26	+	P003-002280	1	SHAFT, THROTTLE			
27	+	123116-16130	1	VALVE, THROTTLE			
28	+	123127-15030	1	RING			
29	+	P003-002290	1	SHAFT, CHOKE			
30	+	P003-002300	1	LEVER, CHOKE			
31	+	P003-000610	1	SPRING			
32	+	123149-26030	1	WASHER			
33	+	P003-000620	1	LEVER-FAST IDLE			
34	+	123130-02960	4	SCREW			

6. MAGNETO



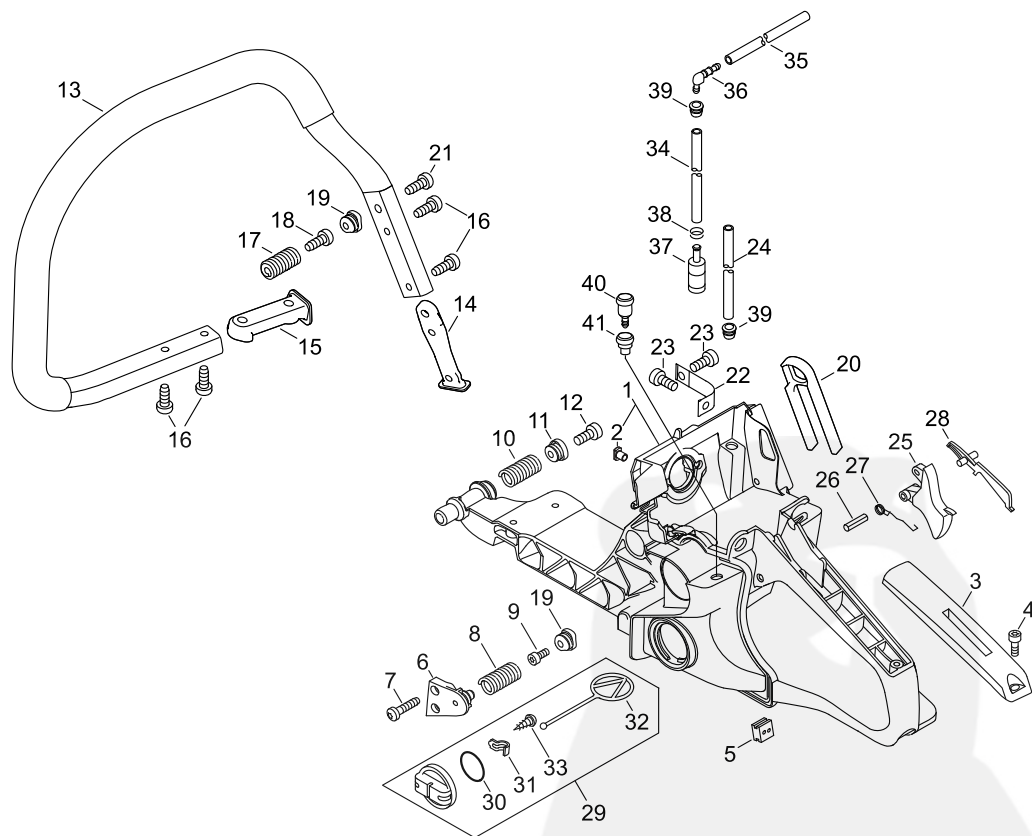
KEY	LV	PART NUMBER	Q'TY	DESCRIPTION	REMARKS	NOTE1	NOTE2
1		A409-000360	1	ROTOR, MAGNETO			
2		P021-044000	1	COIL, IGNITION	CS-620P		
3		900515-00008	1	NUT, FLANGE 8	8		
4		V805-000000	2	BOLT, TORX 5	TT-5*16 DG 10.9		
5		156110-04920	1	BUSHING			
6		V475-004130	1	TUBE			
7		100142-30830	1	KEY, WOODRUFF			
8		A425-000000	1	SPARKPLUG	BPMR8Y		
9		A426-000010	1	TERMINAL, SPARKPLUG			
10		A427-000013	1	CAP, SPARK PLUG			
11		A429-000040	1	COVER, CAP			
12		V485-001091	1	LEAD	AVX0.75F		
13		177218-19830	2	PAWL, STARTER			
14		900603-00005	2	WASHER 5	5.5*12*0.8		
15		177234-35430	2	SPRING, RETURN			
16		V835-000000	2	BOLT, TORX 5			
17		177247-04630	2	SPACER, RATCHET	5.2*8*2.1		

7. HANDLE



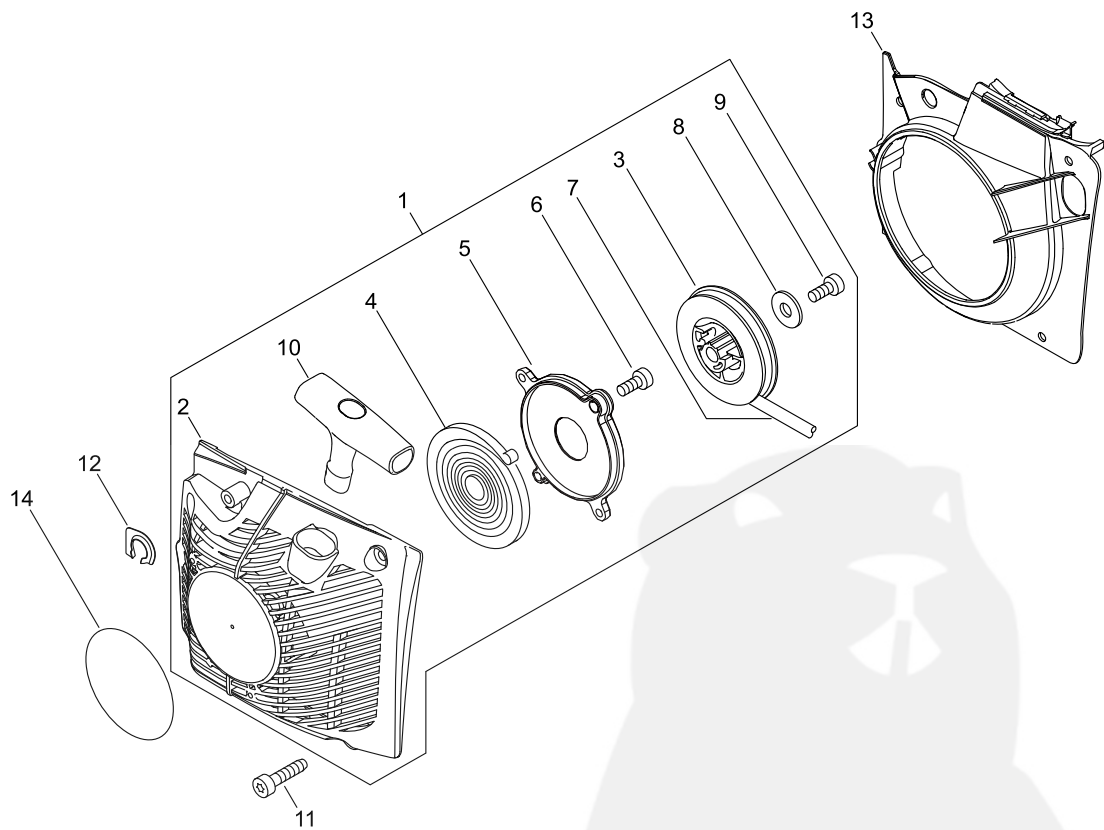
KEY	LV	PART NUMBER	Q'TY	DESCRIPTION	REMARKS	NOTE1	NOTE2
1		C410-001252	1	HANDLE, REAR			
2	+	V263-000450	2	NUT,5			
3		C411-000001	1	LID,HANDLE			
4		V804-000000	1	BOLT, TORX 4	TT-4*12 DG 10.9		
5		150114-04920	1	BUSHING			
6		V456-000090	1	HOLDER,SPRING			
7		V805-000010	2	BOLT, TORX 5	TT-5*20 DG 10.9		
8		V450-000760	1	SPRING,COMPRESSION	17*36.7*2.6		
9		V805-000230	1	BOLT, TORX 5	TT-5*25 DG 10.9		
10		V450-000770	1	SPRING,COMPRESSION	20*40*3.3		
11		V456-000101	1	HOLDER,SPRING			
12		V806-000000	1	BOLT, TORX 6	TT-6*20 DG 10.9		
13		C400-001170	1	HANDLE, FRONT			
14		C405-000560	1	BRACKET,HANDLE			
15		C405-000570	1	BRACKET,HANDLE			
16		V805-000010	4	BOLT, TORX 5	TT-5*20 DG 10.9		
17		V450-000730	1	SPRING,COMPRESSION	17*38.4		
18		V805-000000	1	BOLT, TORX 5	TT-5*16 DG 10.9		
19		V456-000080	2	HOLDER,SPRING	14.4		

7. HANDLE



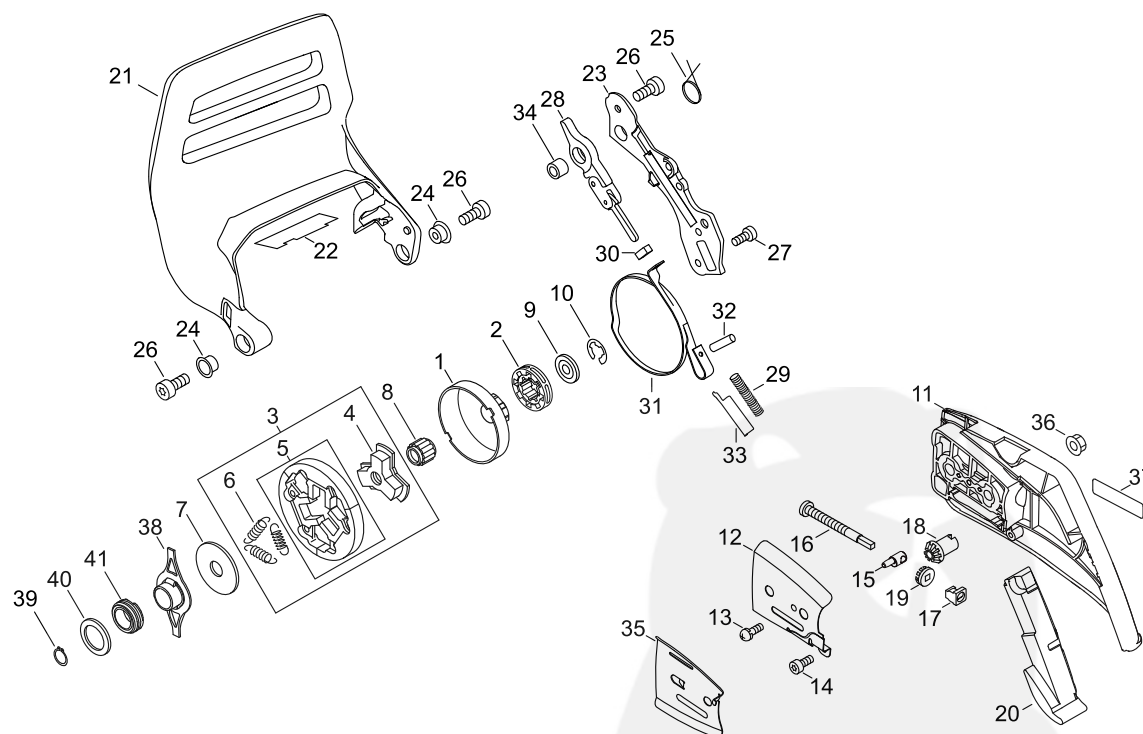
KEY	LV	PART NUMBER	Q'TY	DESCRIPTION	REMARKS	NOTE1	NOTE2
20		V456-000280	1	HOLDER,SPRING			
21		V806-000000	1	BOLT, TORX 6	TT-6*20 DG 10.9		
22		C617-000362	1	STOPPER			
23		V805-000000	2	BOLT, TORX 5	TT-5*16 DG 10.9		
24		130110-30830	1	PIPE, IMPULSE			
25		C450-000360	1	CONTROL THROTTLE			
26		900345-40025	1	PIN, SPRING 4*25SUS	4*25SUS		
27		V452-000260	1	SPRING,TORSION			
28		178090-37930	1	LOCKOUT, T. CONTROL			
29		P021-016041	1	CAP,FUER ASSY			
30	+	900720-20029	1	O-RING 29	P-29		
31	+	131050-19830	1	RETAINER, LINK			
32	+	131051-19830	1	LINK	60L		
33	+	900246-03008	1	SCREW 3*8	3*8		
34		V471-000600	1	PIPE	3*5*120		
35		130110-14530	1	PIPE, IMPULSE	3*6*135L		
36		V186-000500	1	JOINT,PIPE			
37		131205-19832	1	STRAINER, FUEL			
38		V490-001240	1	CLIP			
39		132115-01461	2	GROMMET			
40		131300-56431	1	VENT ASSEMBLY, FUEL			
41		A359-000000	1	COVER,VENT	22.5*D18*D8.5		

8. RECOIL STARTER



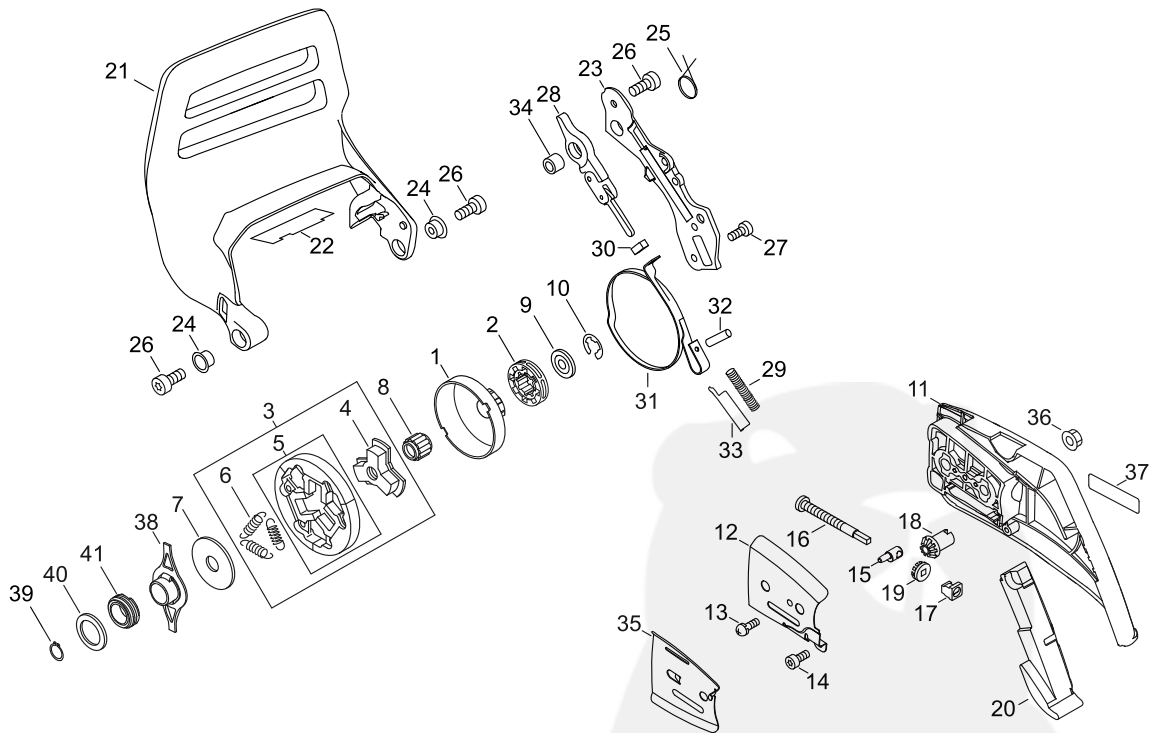
KEY	LV	PART NUMBER	Q'TY	DESCRIPTION	REMARKS	NOTE1	NOTE2
1		P021-041832	1	STARTER ASY			
2	+	P021-047600	1	STATER CASE			
3	+	A506-000112	1	REEL, ROPE			
4	+	177220-35430	1	SPRING, REWIND			
5	+	A503-000032	1	PLATE, STARTER			
6	+	V804-000000	2	BOLT, TORX 4	TT-4*12 DG 10.9		
7	+	A509-000460	1	ROPE			
8	+	177214-02830	1	WASHER	5.2*16*1.0T		
9	+	V805-000130	1	BOLT, TORX 5	TB-5*10 10.9		
10	+	A511-000072	1	GRIP, STARTER			
11		V805-000010	4	BOLT, TORX 5	TT-5*20 DG 10.9		
12		V150-003800	1	PLATE,EYE			
13		A172-000842	1	COVER,FAN			
14		X502-000900	1	LABEL,ECHO			

9. CHAIN BRAKE



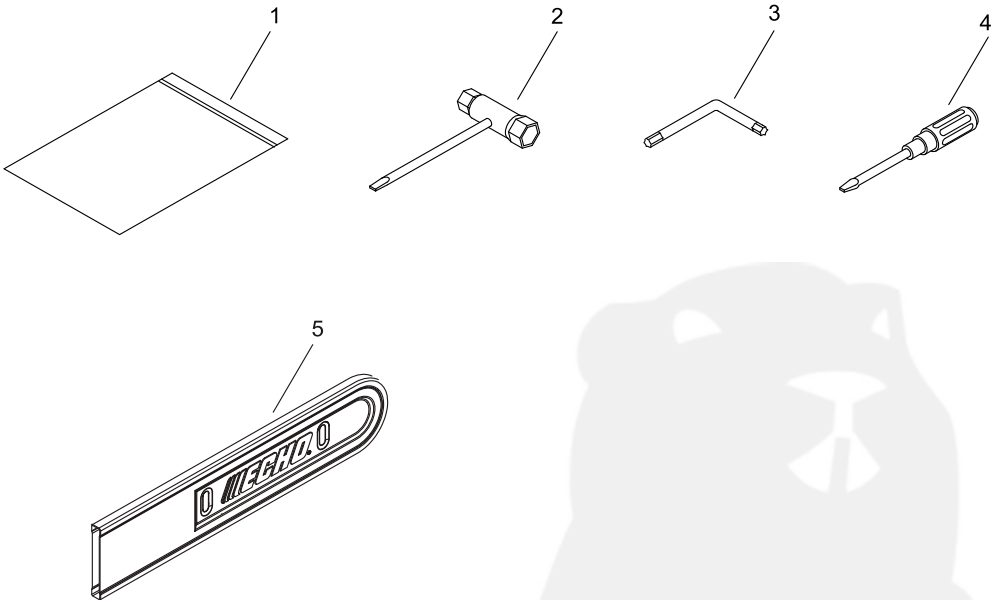
KEY	LV	PART NUMBER	Q'TY	DESCRIPTION	REMARKS	NOTE1	NOTE2
1		A556-001610	1	DRUM, CLUTCH			
2		175033-14731	1	SPROCKET, RIM 68210S			
3		A056-000220	1	CLUTCH ASY	VA		
4	+	A552-000110	1	HUB, CLUTCH			
5	+	P021-007050	1	CLUTCH SHOE SET			
6	+	V451-000500	3	SPRING, TENSION			
7		A551-000110	1	PLATE, CLUTCH	12*36*2		
8		V555-000160	1	BEARING, NEEDLE 10			
9		V307-000520	1	WASHER, CIRCULAR 10			
10		V583-000440	1	RING	8.1 T1.2		
11		C300-000413	1	GUARD, SPROCKET			
12		C305-000101	1	PLATE, SPROCKET GUARD			
13		900241-03006	1	SCREW 3*6	3*6		
14		V804-000000	1	BOLT, TORX 4	TT-4*12 DG 10.9		
15		C309-000160	1	TENSIONER, CHAIN			
16		V203-002140	1	BOLT, 5			
17		V355-000800	1	COLLAR, 8			
18		V651-000001	1	GEAR, BEVEL			
19		V651-000011	1	GEAR, BEVEL			
20		C302-000011	1	PAD, GUARD			
21		C320-000182	1	LEVER, BRAKE			
22		V341-000131	1	WASHER, SQUARE	75*27*0.15		
23		C345-000283	1	COVER, BRAKE			

9. CHAIN BRAKE



KEY	LV	PART NUMBER	Q'TY	DESCRIPTION	REMARKS	NOTE1	NOTE2
24		V356-000440	2	COLLAR,10	11.2*16.2*T0.6		
25		V452-000400	1	SPRING,TORSION			
26		V805-000000	5	BOLT, TORX 5	TT-5*16 DG 10.9		
27		V804-000000	1	BOLT, TORX 4	TT-4*12 DG 10.9		
28		C334-000110	1	CONNECTOR, BRAKE			
29		V450-000740	1	SPRING, COMPRESSION	12*70.5		
30		V376-000450	1	SPACER			
31		C328-000121	1	BAND, BRAKE			
32		93050-30098	1	ROLLER	F3*9.8		
33		C603-000220	1	PLATE, SIDE	T0.3		
34		V356-000470	1	COLLAR,10	12*10*T1.0		
35		C305-000111	1	PLATE, SPROCKET GUARD			
36		V265-000250	2	NUT			
37		X502-000340	1	LABEL,ECHO	ECHO(WHITE)		
38		V358-000090	1	COLLAR,14			
39		900701-00015	1	CIRCLIP 15	CS-15		
40		V311-000090	1	WASHER,CIRCULAR 16-1	15.5*22.5*0.5		
41		V652-000050	1	GEAR,WORM			

10. ACCESSORIES



KEY	LV	PART NUMBER	Q'TY	DESCRIPTION	REMARKS	NOTE1	NOTE2
1		X698-000050	1	TOOL,CASE	140*260*0.06		
2		X602-000080	1	TOOL,WRENCH	13*19 L180		
3		X605-000170	1	TOOL,L WRENCH			
4		895812-03930	1	DRIVER, SCREW 50			
5		X490-000660	1	SCABBARD,CHAIN	L500 W110		

Index

Patrs Number	Key No.	Patrs Number	Key No.	Patrs Number	Key No.
100142-30830	6 - 7	890631-38131	4 - 18	C022-000052	2 - 26
123110-16130	5 - 6	895812-03930	10 - 4	C300-000413	9 - 11
123112-12330	5 - 3	900241-03006	9 - 13	C302-000011	9 - 20
123114-38830	5 - 20	900246-03008	2 - 32	C304-000260	2 - 18
123116-16130	5 - 27	900246-03008	7 - 33	C305-000101	9 - 12
123118-02261	5 - 17	900345-40025	7 - 26	C305-000111	9 - 35
123120-32631	5 - 18	900515-00008	6 - 3	C309-000160	9 - 15
123122-32630	5 - 8	900603-00005	6 - 14	C310-000010	2 - 19
123123-18330	5 - 14	900701-00015	9 - 39	C320-000182	9 - 21
123124-19830	5 - 5	900720-00028	2 - 29	C328-000121	9 - 31
123125-12330	5 - 4	900720-20029	7 - 30	C334-000110	9 - 28
123126-10631	5 - 2	93050-30098	9 - 32	C345-000283	9 - 23
123127-15030	5 - 28	94036-46202	2 - 6	C400-001170	7 - 13
123130-02960	5 - 34	A011-001270	1 - 12	C405-000560	7 - 14
123132-16130	5 - 24	A014-000040	1 - 4	C405-000570	7 - 15
123133-04260	5 - 22	A021-001661	4 - 1	C410-001252	7 - 1
123134-04260	5 - 21	A021-001661	5 -	C411-000001	7 - 3
123137-19830	5 - 7	A031-000020	3 - 8	C450-000360	7 - 25
123138-03930	5 - 13	A056-000220	9 - 3	C454-000170	4 - 13
123139-03930	5 - 12	A101-000210	1 - 7	C603-000220	9 - 33
123140-16130	5 - 11	A130-002041	1 - 1	C617-000362	7 - 22
123142-17330	5 - 10	A160-001081	2 - 1	E106-000020	2 - 21
123146-10631	5 - 15	A172-000842	8 - 13	P003-000010	5 - 16
123149-26030	5 - 32	A202-000081	4 - 3	P003-000560	5 - 25
123156-30830	5 - 19	A206-000010	4 - 4	P003-000610	5 - 31
130110-14530	7 - 35	A219-000000	4 - 8	P003-000620	5 - 33
130110-30830	7 - 24	A232-000472	4 - 10	P003-002280	5 - 26
131050-19830	2 - 30	A235-000191	4 - 11	P003-002290	5 - 29
131050-19830	7 - 31	A239-000060	2 - 14	P003-002300	5 - 30
131051-19830	2 - 31	A239-000070	2 - 3	P003-002380	5 - 23
131051-19830	7 - 32	A241-000171	4 - 14	P003-004920	5 - 9
131205-19832	7 - 37	A300-001570	3 - 1	P021-007050	9 - 5
131300-56431	7 - 40	A301-000030	3 - 5	P021-016022	4 - 7
132115-01461	2 - 35	A310-000100	3 - 7	P021-016031	2 - 28
132115-01461	7 - 39	A359-000000	7 - 41	P021-016041	7 - 29
150114-04920	7 - 5	A409-000360	6 - 1	P021-016371	4 - 9
156110-04920	6 - 5	A425-000000	6 - 8	P021-038790	1 - 6
175033-14731	9 - 2	A426-000010	6 - 9	P021-041832	8 - 1
177214-02830	8 - 8	A427-000013	6 - 10	P021-043312	2 - 5
177218-19830	6 - 13	A429-000040	6 - 11	P021-044000	6 - 2
177220-35430	8 - 4	A440-001190	2 - 15	P021-047600	8 - 2
177234-35430	6 - 15	A472-000091	2 - 16	V100-000270	1 - 2
177247-04630	6 - 17	A503-000032	8 - 5	V102-000060	2 - 9
178090-37930	7 - 28	A506-000112	8 - 3	V104-002150	3 - 2
436114-13930	2 - 10	A509-000460	8 - 7	V130-000030	4 - 15
436205-14730	2 - 33	A511-000072	8 - 10	V131-000020	4 - 12
437210-30830	2 - 34	A551-000110	9 - 7	V141-000090	1 - 5
890157-39131	4 - 17	A552-000110	9 - 4	V150-003800	8 - 12
890345-39231	2 - 25	A556-001610	9 - 1	V186-000500	7 - 36

Index

Patrs Number	Key No.	Patrs Number	Key No.	Patrs Number	Key No.
V203-002140	9 - 16	V804-000030	3 - 6		
V205-000401	2 - 8	V805-000000	2 - 4		
V263-000450	7 - 2	V805-000000	2 - 20		
V265-000250	9 - 36	V805-000000	2 - 22		
V307-000520	9 - 9	V805-000000	4 - 5		
V308-000040	1 - 10	V805-000000	6 - 4		
V311-000090	9 - 40	V805-000000	7 - 18		
V341-000131	9 - 22	V805-000000	7 - 23		
V341-000140	2 - 2	V805-000000	9 - 26		
V355-000800	9 - 17	V805-000010	2 - 11		
V356-000440	9 - 24	V805-000010	7 - 7		
V356-000470	9 - 34	V805-000010	7 - 16		
V358-000090	9 - 38	V805-000010	8 - 11		
V360-000060	4 - 6	V805-000020	2 - 12		
V376-000450	9 - 30	V805-000080	4 - 2		
V376-001780	2 - 24	V805-000130	8 - 9		
V420-003800	2 - 23	V805-000170	2 - 13		
V450-000730	7 - 17	V805-000210	3 - 3		
V450-000740	9 - 29	V805-000220	1 - 3		
V450-000760	7 - 8	V805-000230	7 - 9		
V450-000770	7 - 10	V806-000000	7 - 12		
V451-000500	9 - 6	V806-000000	7 - 21		
V452-000260	7 - 27	V835-000000	6 - 16		
V452-000400	9 - 25	V855-000000	3 - 4		
V456-000080	7 - 19	X490-000660	10 - 5		
V456-000090	7 - 6	X502-000340	9 - 37		
V456-000101	7 - 11	X502-000900	8 - 14		
V456-000280	7 - 20	X503-011290	4 - 16		
V470-000830	2 - 36	X602-000080	10 - 2		
V471-000600	7 - 34	X605-000170	10 - 3		
V475-004130	6 - 6	X698-000050	10 - 1		
V485-001091	6 - 12				
V485-001101	2 - 17				
V490-001240	2 - 37				
V490-001240	7 - 38				
V508-000010	2 - 7				
V555-000160	9 - 8				
V556-000000	1 - 9				
V580-000030	1 - 11				
V583-000440	9 - 10				
V609-000010	1 - 8				
V651-000001	9 - 18				
V651-000011	9 - 19				
V652-000050	9 - 41				
V804-000000	2 - 27				
V804-000000	7 - 4				
V804-000000	8 - 6				
V804-000000	9 - 14				
V804-000000	9 - 27				

YAMABIKO CORPORATION

7-2 SUEHIROCHO 1-CHOME, OHME, TOKYO 198-8760, JAPAN
PHONE: 81-428-32-6118. FAX: 81-428-32-6145.



ECHO[®]

14Cb
No. 04-061