



# **PARTS CATALOG**

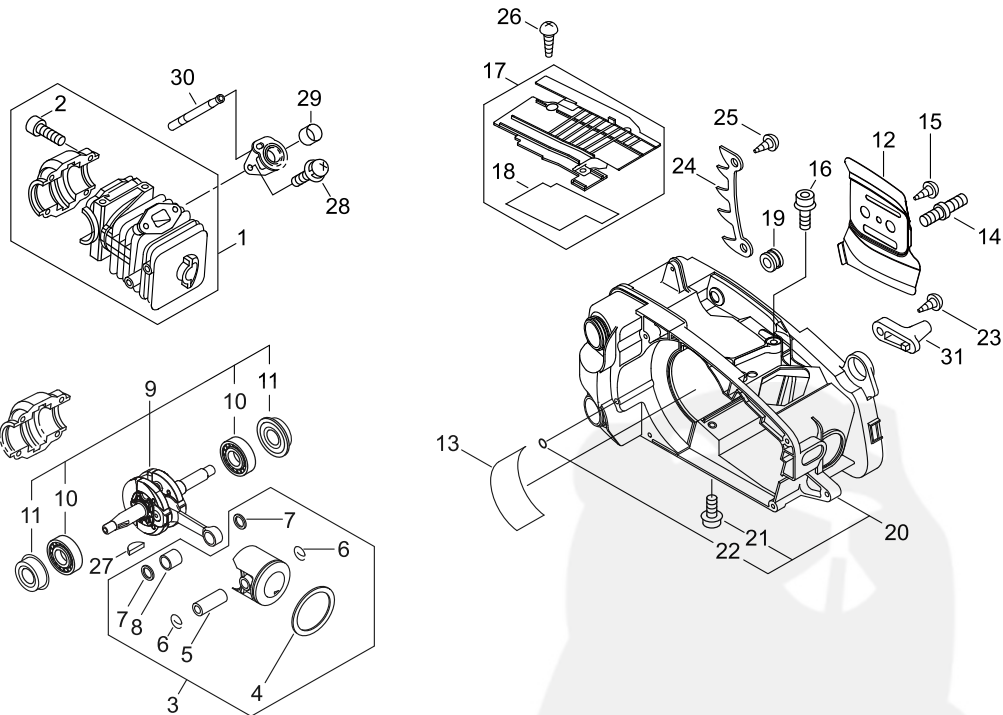
## **CHAIN SAW CS-360WES(37)**

**37012951 -**

**CE**

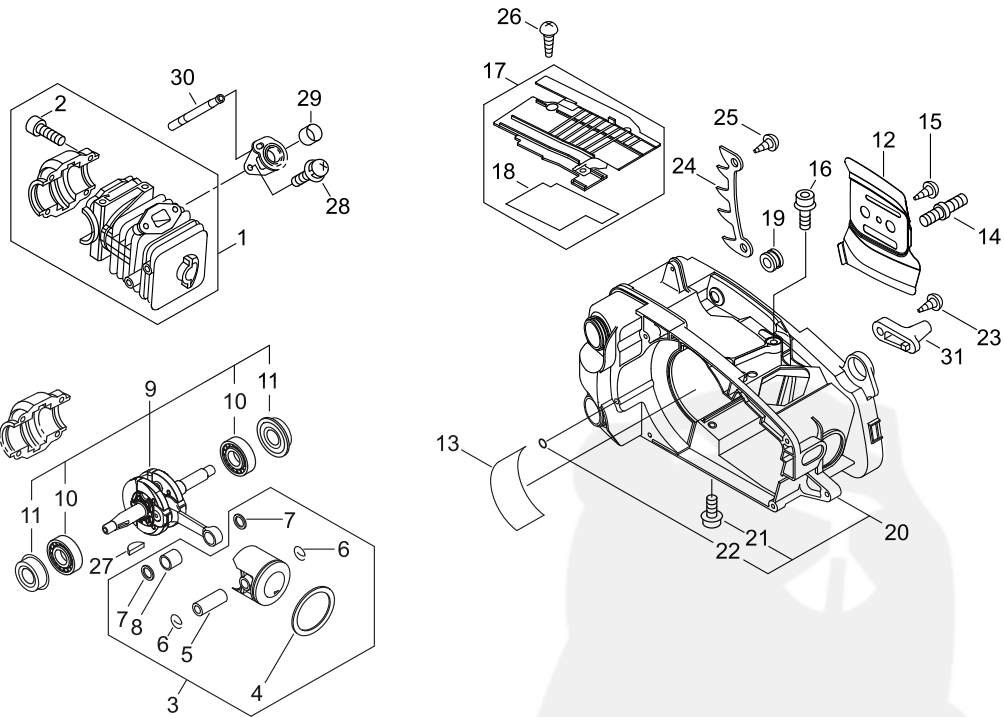
P014-001682-14Cb

# 1. CYLINDER, PISTON, CRANKSHAFT



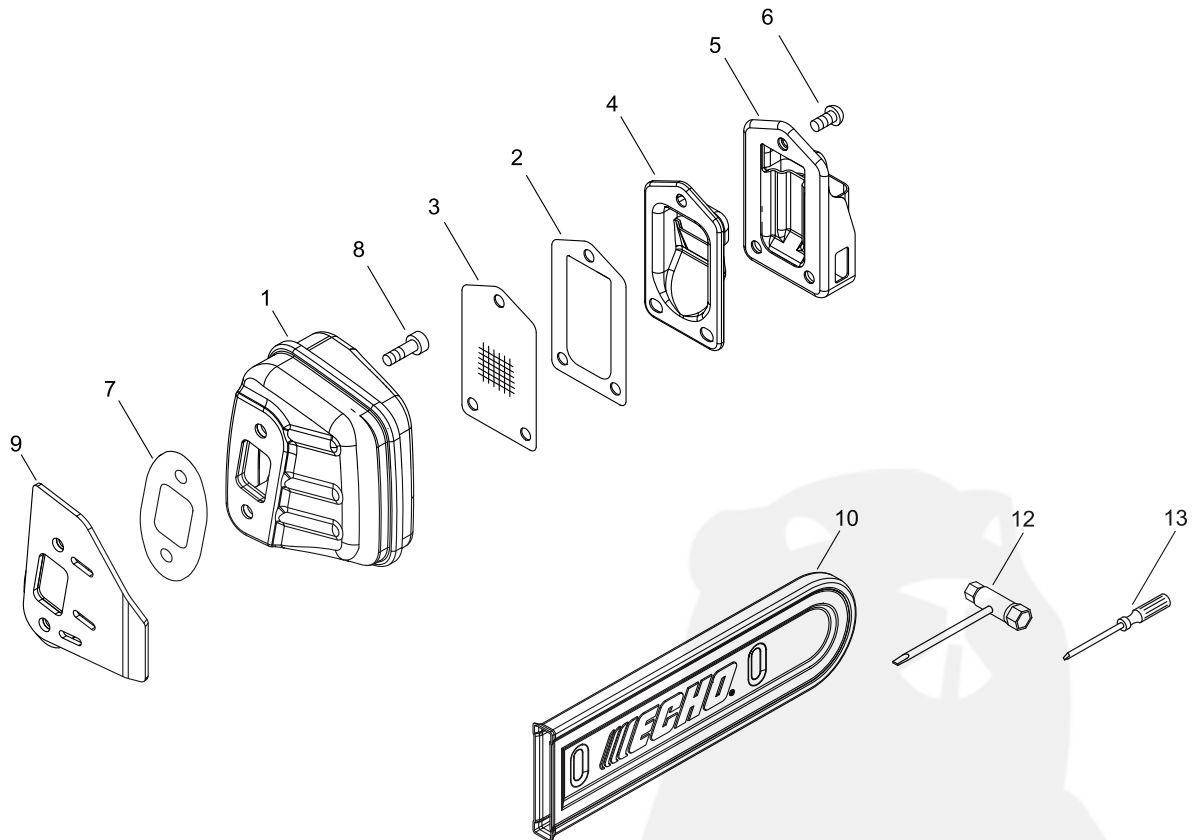
KEY	LV	PART NUMBER	Q'TY	DESCRIPTION	REMARKS	NOTE1	NOTE2
1		P021-039131	1	CRANKCASE SET			
2	+	900162-05025	4	BOLT, H.S. 5*25	5*25 W,SW		
3		P021-039150	1	PISTON KIT			
4	+	A101-000640	1	RING, PISTON			
5	+	100013-15330	1	PIN, PISTON	5.5*8*29		
6	+	100015-04630	2	CIRCLIP, PISTON PIN			
7	+	100014-60930	2	SPACER, PISTON PIN			
8	+	V553-000040	1	BEARING, NEEDLE 8	8E-		
9		P021-039160	1	CRANKSHAFT ASY			
10	+	94035-36201	2	BEARING BALL	6201X3JR2C3		
11	+	V505-000011	2	SEAL, OIL 12	12*32*5.5		
12		C305-000080	1	PLATE, SPROCKET GUARD	T0.3		
13		V420-001110	1	CUSHION			
14		V224-000031	2	BOLT, STUD 6			
15		900253-04010	1	SCREW 4*10	4*10		
16		900106-05020	2	BOLT, H.S. 5*20	5*20		
17		P021-008741	1	DUSTCOVER SET			
18	+	V341-000040	1	WASHER, SQUARE			
19		163911-30130	1	PLUG			
20		P021-040641	1	COVER, ENGINE KIT			
21	+	900106-05030	2	BOLT, H.S.H. 5*30	5*30		
22	+	900724-00004	1	O-RING (S-4)	S-4		
23		900253-05020	1	SCREW 5*20	5*20		
24		C304-000000	1	SPIKE			

# 1. CYLINDER, PISTON, CRANKSHAFT



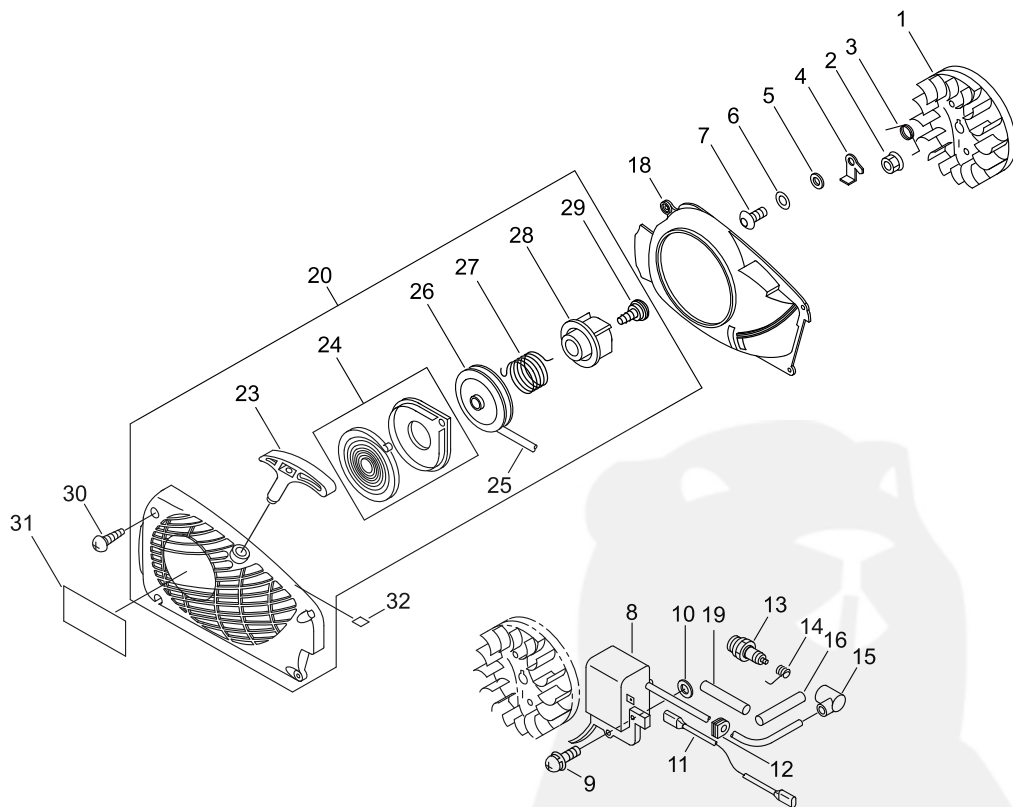
KEY	LV	PART NUMBER	Q'TY	DESCRIPTION	REMARKS	NOTE1	NOTE2
25		900253-05020	1	SCREW 5*20	5*20		
26		900253-04012	2	SCREW	4*12		
27		100142-12330	1	KEY, WOODRUFF			
28		900238-05012	2	SCREW 5*12	5*12		
29		V359-000060	1	COLLAR,16			
30		V470-000482	1	PIPE			
31		433026-35430	1	CATCHER, CHAIN			

## 2. MUFFLER



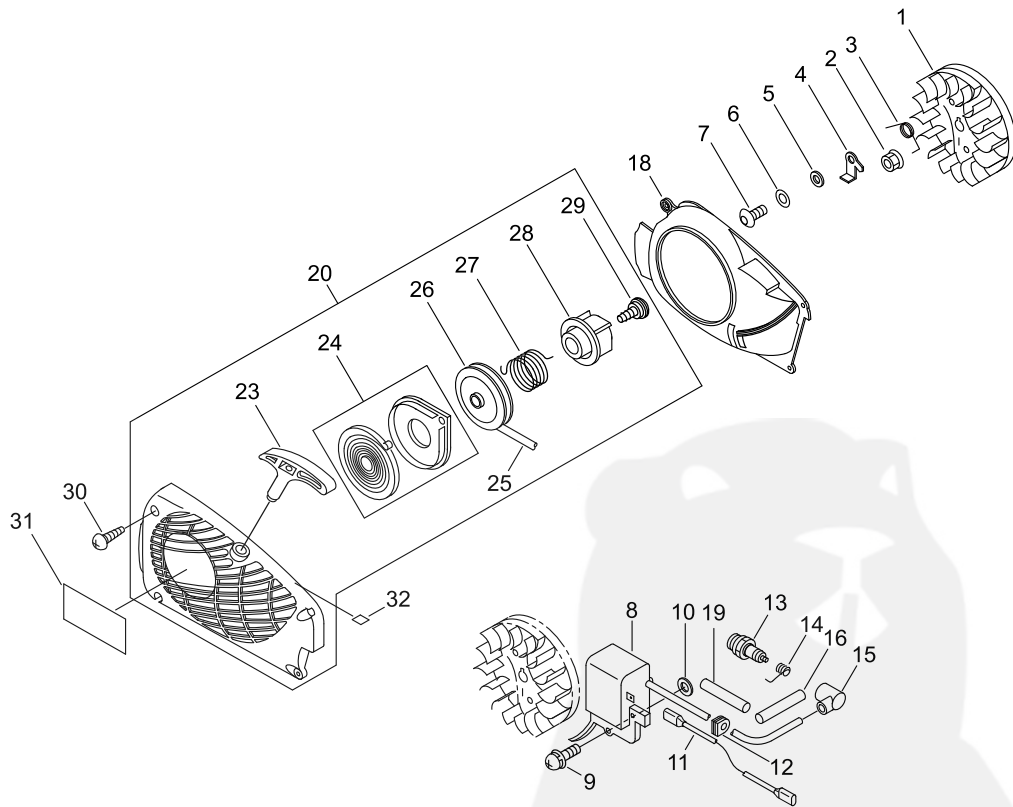
KEY	LV	PART NUMBER	Q'TY	DESCRIPTION	REMARKS	NOTE1	NOTE2
1		A300-001660	1	MUFFLER, EXHAUST			
2		V104-001980	1	GASKET, EXHAUST			
3		A310-000431	1	SCREEN, ARRESTOR			
4		A313-001922	1	GUIDE, EXHAUST			
5		A313-001871	1	GUIDE, EXHAUST			
6		900242-04012	3	SCREW 4*12	4*12		
7		V104-001960	1	GASKET, EXHAUST			
8		900105-05018	2	BOLT, H.S. 5*18	5*18		
9		A312-000070	1	PLATE, EXHUST			
10		X490-000510	1	SCABBARD, CHAIN			
12		895410-03930	1	WRENCH, W/S. DRIVER			
13		895812-03930	1	DRIVER, SCREW 50			

## 3. STARTER, MAGNETO



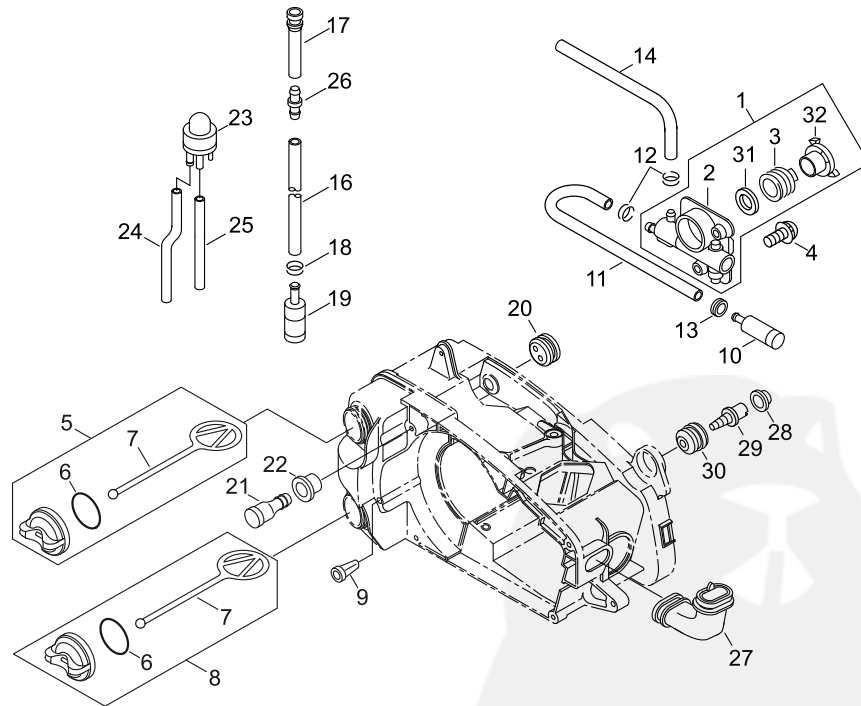
KEY	LV	PART NUMBER	Q'TY	DESCRIPTION	REMARKS	NOTE1	NOTE2
1		A409-001180	1	ROTOR, MAGNETO			
2		900515-00008	1	NUT, FLANGE 8	8		
3		177234-35430	2	SPRING, RETURN			
4		A514-000020	2	PAWL			
5		177247-04630	2	SPACER, RATCHET	5.2*8*2.1		
6		900603-00005	2	WASHER 5	5.5*12*0.8		
7		V203-000080	2	BOLT,5	5*14		
8		P021-047431	1	COIL, IGNITION			
9		900238-05020	2	SCREW 5*20	5*20		
10		150117-16430	2	SPACER			
11		V485-000550	1	LEAD	AMP-187 AMP-250		
12		156110-04920	1	BUSHING			
13		A425-000000	1	SPARKPLUG	BPMR8Y		
14		A426-000000	1	TERMINAL, SPARKPLUG			
15		A427-000000	1	CAP, SPARK PLUG			
16		V475-002390	1	TUBE			
18		A172-002190	1	COVER, FAN			
19		V475-007430	1	TUBE			
20		A051-000804	1	STARTER, RECOIL			
23	+	P022-005891	1	GRIP, STARTER			
24	+	P022-001330	1	SPRING KIT, REWIND			
25	+	P022-008440	1	ROPE, STARTER	3.5*900		
26	+	A506-000460	1	REEL, ROPE			
27	+	V452-001320	1	SPRING, TORSION			

3. STARTER, MAGNETO



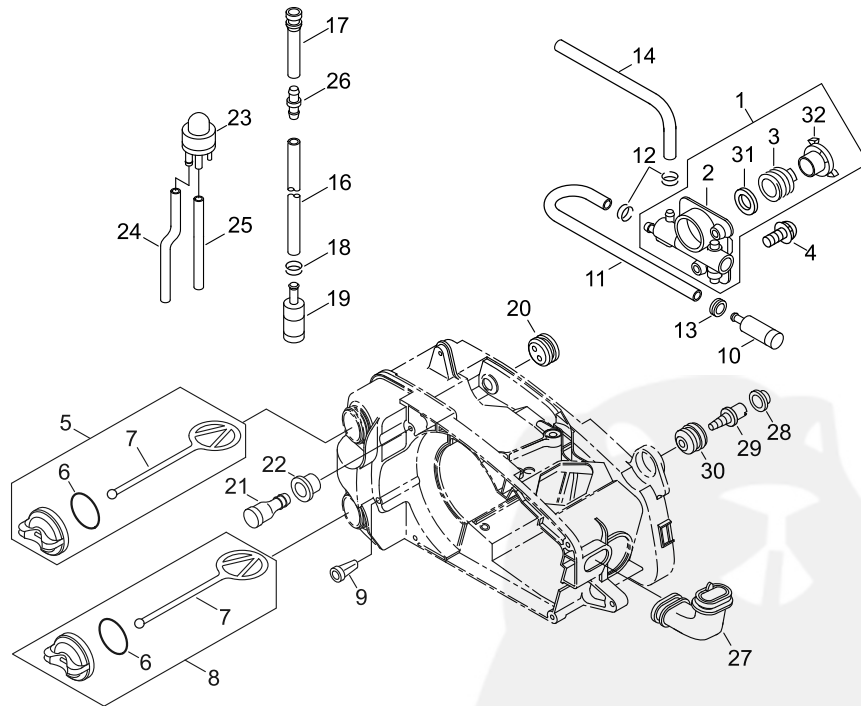
KEY	LV	PART NUMBER	Q'TY	DESCRIPTION	REMARKS	NOTE1	NOTE2
28	+	A507-000110	1	CATCHER,PAWL			
29	+	177236-61830	1	SCREW			
30		900256-04016	4	SCREW 4*16			
31		X502-000102	1	LABEL,ECHO			
32		X505-006921	1	LABEL,CAUTION	13000R/MIN		

## 4. AUTO-OILER



KEY	LV	PART NUMBER	Q'TY	DESCRIPTION	REMARKS	NOTE1	NOTE2
1		P021-010890	1	AUTO-OILER ASY			
2	+	C022-000020	1	AUTO-OILER ASSEMBLY			
3	+	V652-000030	1	GEAR,WORM			
31	+	V308-000030	1	WASHER,CIRCULAR 11	10.5*17.4*1.8		
32	+	V356-000290	1	COLLAR,10			
4		900238-04012	2	SCREW 4*12	4*12		
5		P021-005591	1	CAP ASY			
6	+	900720-00018	1	O-RING 18	P-18		
7	+	A365-000050	1	CONNECTOR,CAP			
8		P021-005581	1	OIL CAP ASY			
6	+	900720-00018	1	O-RING 18	P-18		
7	+	A365-000050	1	CONNECTOR,CAP			
9		436114-13930	1	VALVE, CHECK			
10		436205-02832	1	STRAINER, OIL			
11		V471-000740	1	PIPE			
12		V490-001230	2	CLIP			
13		132115-01461	1	GROMMET			
14		V471-000760	1	PIPE			
16		V471-000750	1	PIPE			
17		V470-000321	1	PIPE	10*6*L32		
18		V490-001240	1	CLIP			
19		131205-14931	1	STRAINER,FUEL			
20		132115-44330	1	GROMMET			
21		131300-56431	1	VENT ASSEMBLY, FUEL			

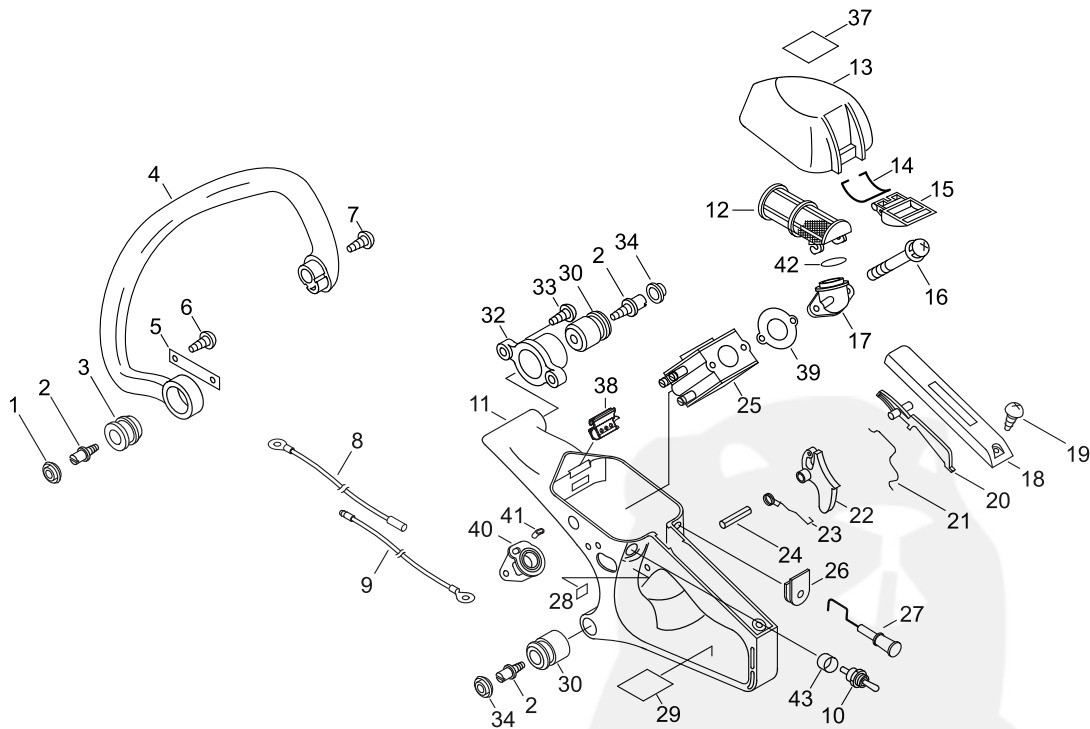
4. AUTO-OILER



KEY	LV	PART NUMBER	Q'TY	DESCRIPTION	REMARKS	NOTE1	NOTE2
22		V137-000000	1	GROMMET,FUEL			
23		123181-39130	1	PUMP, PRIMER			
24		V471-001440	1	PIPE	2.4*5*295		
25		V471-001290	1	PIPE	2.4*5*75		
26		V186-000510	1	JOINT,PIPE			
27		A239-000030	1	PIPE,INTAKE	L TYPE		
28		100918-15130	1	CAP			
29		V202-000020	1	BOLT,4			
30		100910-18830	1	CUSHION			

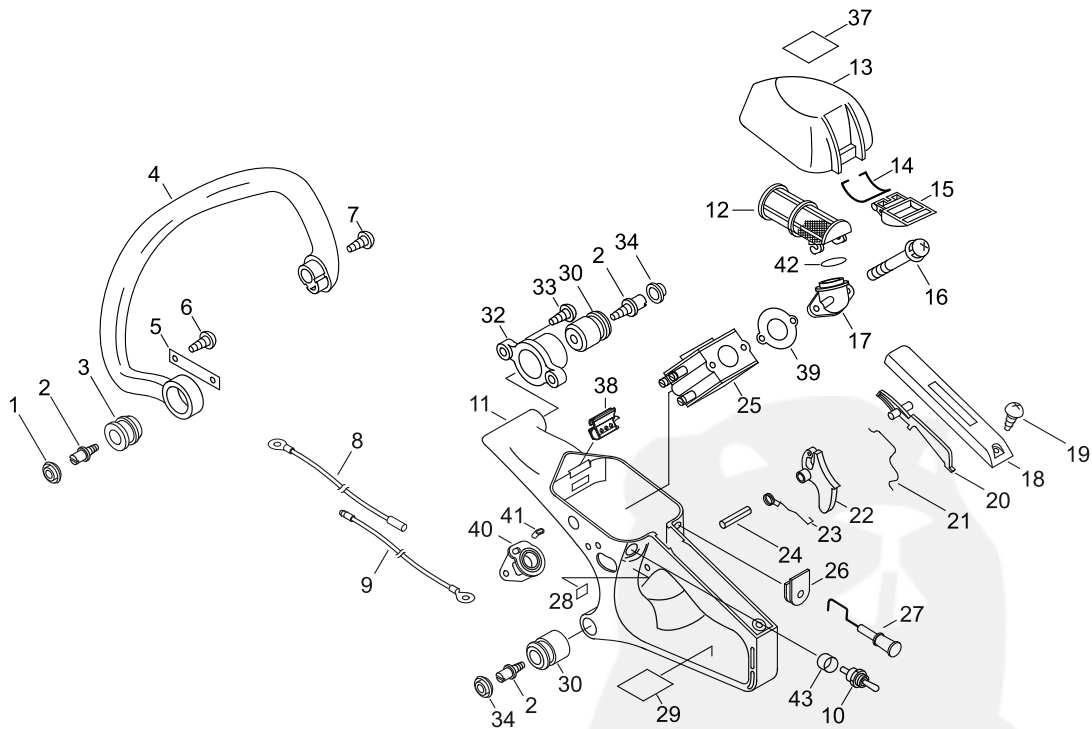


## 5. HANDLE



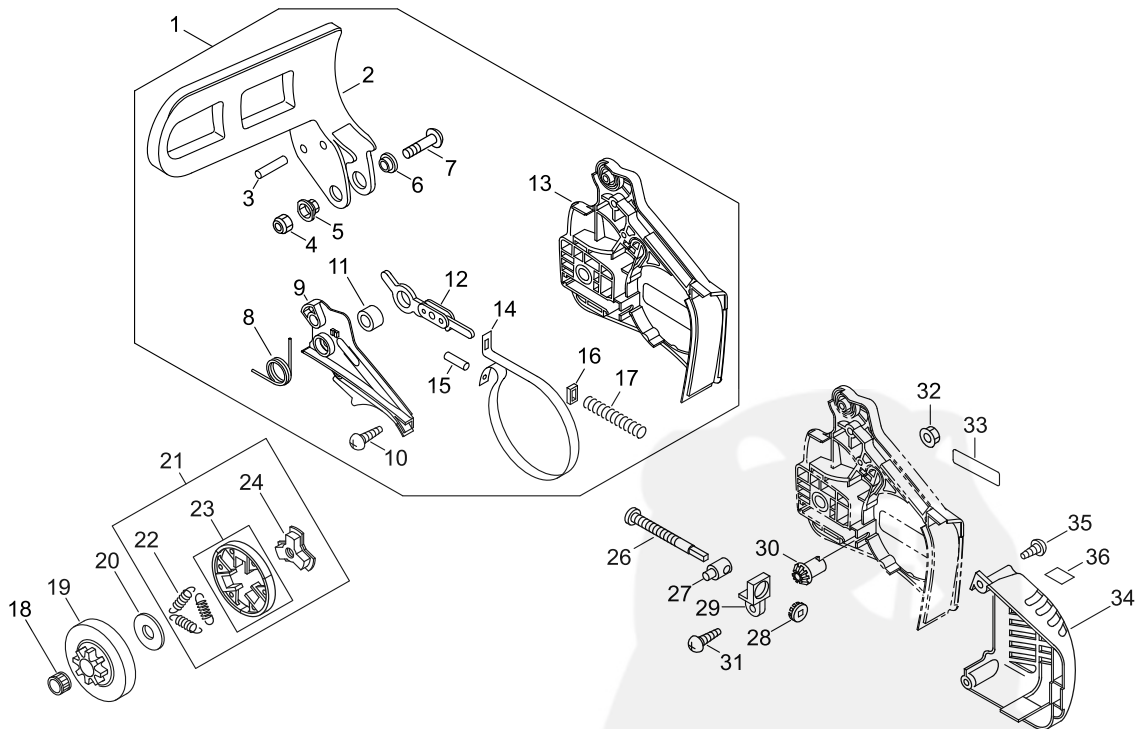
KEY	LV	PART NUMBER	Q'TY	DESCRIPTION	REMARKS	NOTE1	NOTE2
1		100918-14330	1	CAP, CUSHION			
2		V202-000020	3	BOLT,4			
3		V401-000120	1	CUSHION,5			
4		C400-000321	1	HANDLE,FRONT			
5		C617-000200	1	STOPPER			
6		900253-04008	1	SCREW 4*8	4*8		
7		900253-05020	2	SCREW 5*20	5*20		
8		V485-000560	1	LEAD	CB-104 LA-105		
9		V485-000571	1	LEAD			
10		163400-38430	1	SWITCH, IGNITION			
11		C410-000253	1	HANDLE,REAR			
12		A226-001700	1	ELEMENT, AIR FILTER			
13		A232-000191	1	LID,CLEANER			
14		V582-000020	1	RING,SNAP	CSE2700		
15		A235-000140	1	KNOB,CLEANER LID			
16		900238-05050	2	SCREW 5*50	5*50		
17		A204-000060	1	ELBOW,CARBURETOR			
18		C411-000001	1	LID,HANDLE			
19		900253-04012	1	SCREW	4*12		
20		178090-37930	1	LOCKOUT, T. CONTROL			
21		C454-000110	1	ROD, THROTTLE			
22		C450-000141	1	TRIGGER,THROTTLE			
23		V452-000260	1	SPRING,TORSION			
24		900345-40025	1	PIN, SPRING 4*25SUS	4*25SUS		

## 5. HANDLE



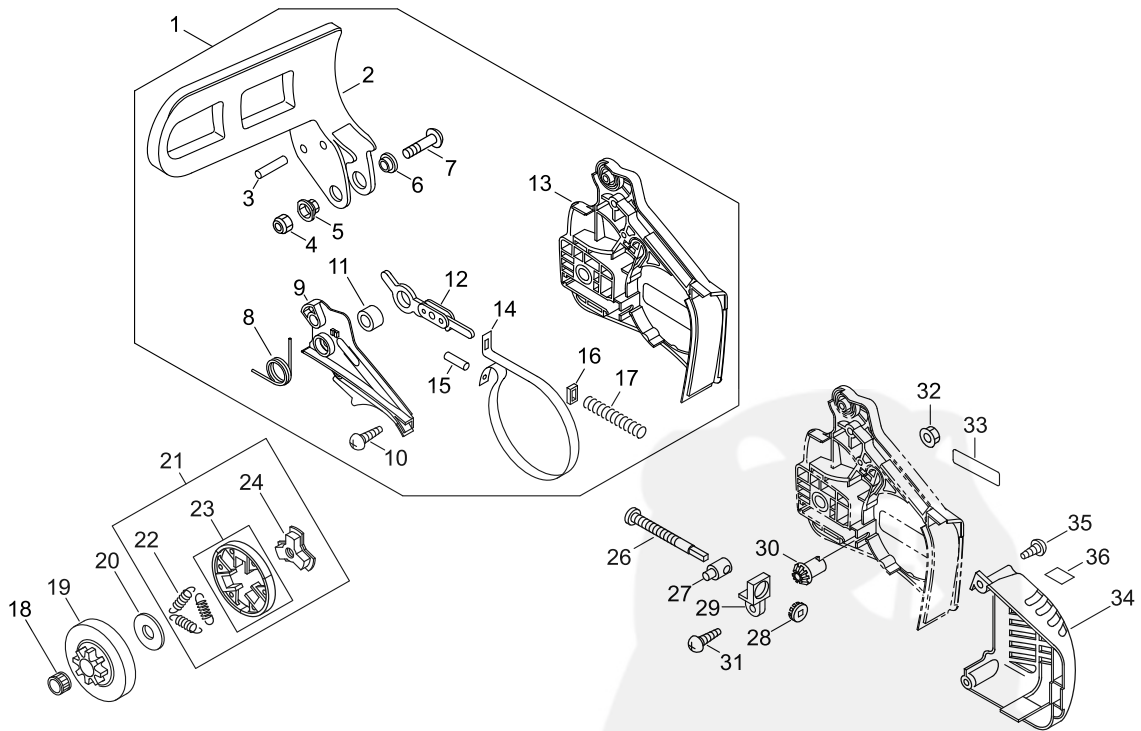
KEY	LV	PART NUMBER	Q'TY	DESCRIPTION	REMARKS	NOTE1	NOTE2
25		A021-003780	1	CARBURETOR,DIAPHRAGM			
26		V130-000010	1	GROMMET,CHOKE			
27		A241-000060	1	KNOB,CHOKE			
28		890157-39131	1	LABEL, SWITCH			
29		890345-39231	1	LABEL,CAUTION			
30		V400-000070	2	CUSHION,4			
32		V424-000000	1	SLEEVE,CUSHION			
33		900253-04016	2	SCREW 4*16	4*16		
34		100918-15130	2	CAP			
37		X503-011380	1	LABEL,MODEL			
38		V142-000020	1	GROMMET,DUST			
39		V103-001510	1	GASKET,INTAKE			
40		A202-000033	1	BELLOWS,INTAKE			
41		V351-000000	1	COLLAR,3	3.2*6.5		
42		92505-10200	1	O-RING	JASO 1020		
43		A472-000091	1	CASE,SWITCH			

## 6. CLUTCH, SPROCKET, CHAIN BRAKE



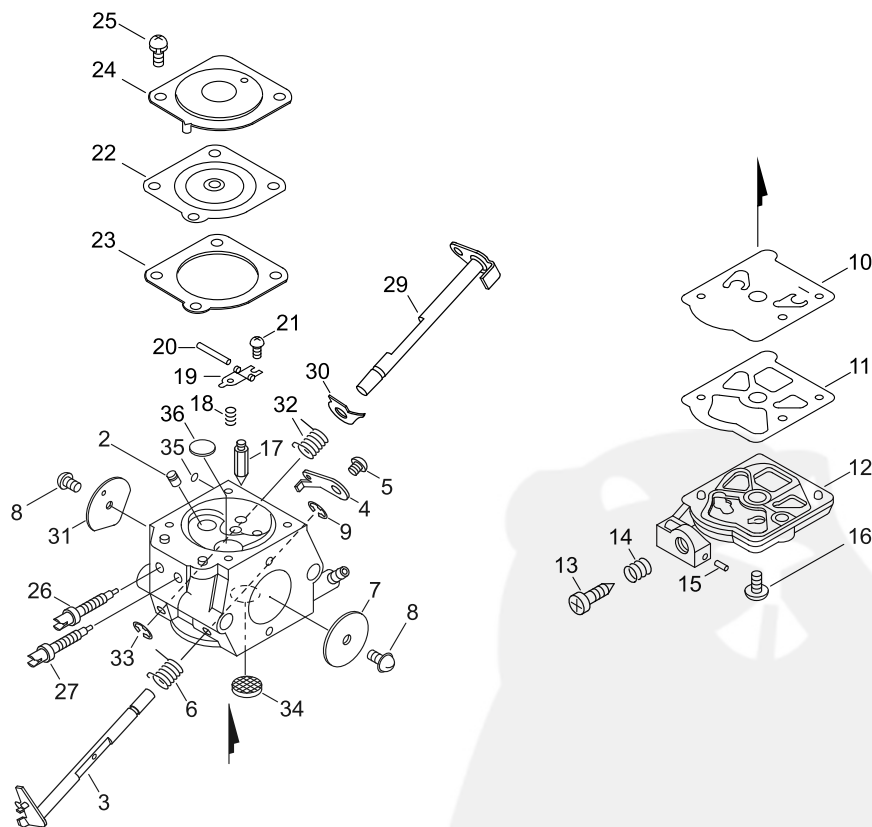
KEY	LV	PART NUMBER	Q'TY	DESCRIPTION	REMARKS	NOTE1	NOTE2
1		C032-000216	1	BRAKE,ASM CHAIN			
2	+	C320-000047	1	LEVER,BRAKE			
3	+	900330-30260	2	ROLLER 3*26	3*26		
4	+	900562-50005	1	LOCKNUT 5	5		
5	+	V353-000060	1	COLLAR,5			
6	+	433167-39130	1	SPACER			
7	+	91318-05032	1	SCREW	5*32		
8	+	V452-000110	1	SPRING,TORSION			
9	+	C345-000084	1	COVER,BRAKE			
10	+	900253-04012	3	SCREW	4*12		
11	+	433116-35430	1	SPACER 8	8*12*9		
12	+	C334-000070	1	CONNECTOR,BRAKE			
13	+	C300-000242	1	GUARD,SPROCKET			
14	+	C328-000030	1	BAND,BRAKE			
15	+	93050-30098	1	ROLLER	F3*9.8		
16	+	V376-000450	1	SPACER			
17	+	V450-000070	1	SPRING,COMPRESSION			
18		V555-000170	1	BEARING,NEEDLE 10	8E-KV10*13*12.8		
19		175005-39133	1	DRUM, CLUTCH			
20		A551-000010	1	PLATE,CLUTCH			
21		A056-000070	1	CLUTCH			
22	+	V451-000470	3	SPRING,TENSION			
23	+	P021-005810	1	CLUTCH SHOE SET			
24	+	A552-000020	1	HUB,CLUTCH			

6. CLUTCH, SPROCKET, CHAIN BRAKE



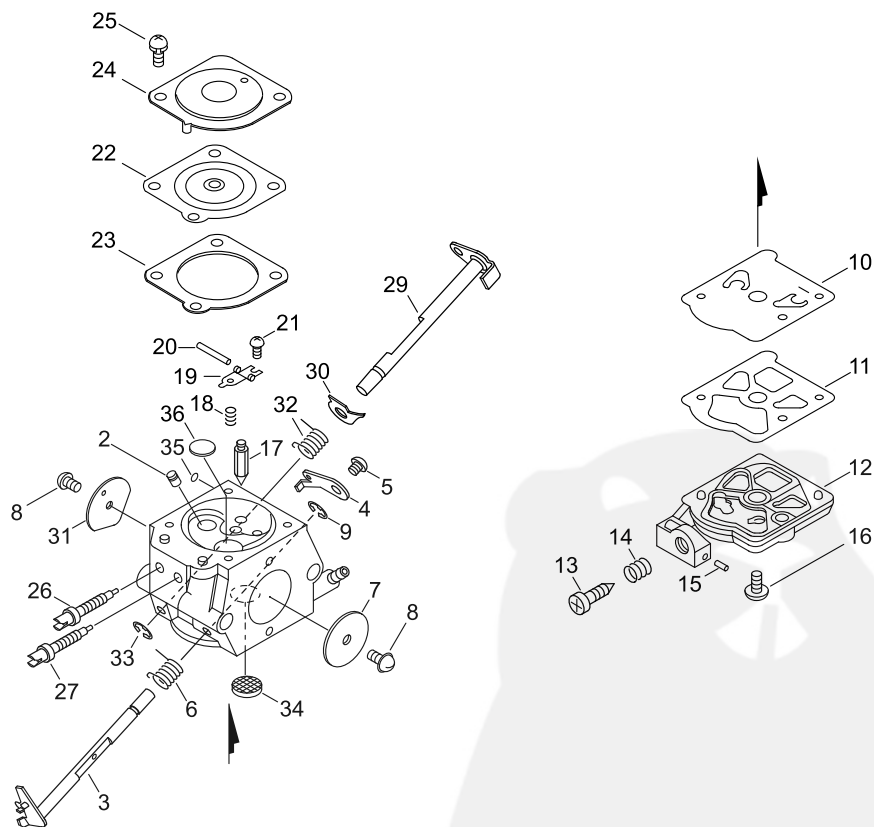
KEY	LV	PART NUMBER	Q'TY	DESCRIPTION	REMARKS	NOTE1	NOTE2
26		V203-000041	1	BOLT,5			
27		C309-000030	1	TENSIONER,CHAIN			
28		V651-000011	1	GEAR,BEVEL			
29		V355-000140	1	COLLAR,8			
30		V651-000001	1	GEAR,BEVEL			
31		900253-04012	1	SCREW	4*12		
32		433019-03933	2	NUT, FLANGE 6	6		
33		X502-000340	1	LABEL,ECHO	ECHO(WHITE)		
34		A320-000962	1	COVER,MUFFLER			
35		900253-04016	2	SCREW 4*16	4*16		
36		X505-007710	1	LABEL,CAUTION			

## 7. CARBURETOR



KEY	LV	PART NUMBER	Q'TY	DESCRIPTION	REMARKS	NOTE1	NOTE2
		A021-003780	1	CARBURETOR,DIAPHRAGM			
2	+	P005-002320	1	NOZZLE CHECK VALVE			
3	+	P005-002330	1	SHAFT ASY.THROTTLE			
4	+	P005-002340	1	LEVER, THROTTLE			
5	+	125348-13930	1	SCREW			
6	+	P005-000790	1	SPRING, THRT.RETURN			
7	+	P005-002350	1	VALVE, THROTTLE			
8	+	125314-51230	2	SCREW	3*4.5		
9	+	125327-13930	1	CLIP			
10	+	P005-001110	1	DIAPHRAGM, PUMP			
11	+	125325-08360	1	GASKET, PUMP			
12	+	P005-002360	1	COVER, PUMP			
13	+	125344-08560	1	SCREW			
14	+	125333-33330	1	SPRING, IDLE ADJUST			
15	+	125378-13930	1	PIECE, FRICTION			
16	+	125310-13930	1	SCREW			
17	+	125337-08260	1	VALVE, INLET NEEDLE			
18	+	125322-13930	1	SPRING, COIL			
19	+	125323-08260	1	ARM, VALVE			
20	+	125338-13930	1	PIN, METERING ARM			
21	+	125339-13930	1	SCREW			
22	+	P005-002230	1	DIAPHRAGM ,METERING			
23	+	125340-51030	1	GASKET, DIAPHRAGM			
24	+	125342-52130	1	COVER, DIAPHRAGM			
25	+	125344-52130	2	SCREW			

7. CARBURETOR



KEY	LV	PART NUMBER	Q'TY	DESCRIPTION	REMARKS	NOTE1	NOTE2
26	+	P005-002370	1	NEEDLE, HIGH SPEED			
27	+	P005-002380	1	NEEDLE, IDLE			
29	+	P005-002390	1	SHAFT, CHOKE			
30	+	P005-003050	1	LEVER, CHOKE			
31	+	P005-000900	1	VALVE, CHOKE			
32	+	P005-000880	1	SPRING, CHOKE RETURN			
33	+	125327-15130	1	CLIP			
34	+	P005-000860	1	SCREEN, FUEL INLET			
35	+	125345-13310	1	PLUG, WELCH			
36	+	P005-002400	1	PLUG, WELCH			

## 8. GUIDE BAR, CHAIN

Pitch ピッチ	Gauge ゲージ	Length 長さ	Guide Bar ガイドバー		Saw Chain ソーチェーン		Hard Nose ハード ノーズ	Sprocket Nose スプロケット ノーズ
			Key No	Type 形式	Key No	Type 形式		
3/8 9.53	0.050 1.27	30	A1	30RC50M-3/8	A2	91VXL-47E		●
					A3	91PX-47E		
3/8 9.53	0.050 1.27	35	B1	35RC50M-3/8	B2	91VXL-53E		●
					B3	91PX-53E		
3/8 9.53	0.050 1.27	40	C1	40RC50-3/8	C2	91VXL-58E		●
					C3	91PX-58E		
3/8 9.53	0.050 1.27	35	D1	35RC50-3/8	D2	91VXL-53E		●
					D3	91PX-53E		
1/4 6.35	0.050 1.27	30	E1	30C50SL	E2	25AP-68E	●	
					E3	25A-68E		
1/4 6.35	0.050 1.27	35	F1	35C50SL	F2	25AP-76E	●	
					F3	25A-76E		

KEY	LV	PART NUMBER	Q'TY	DESCRIPTION	REMARKS	NOTE1	NOTE2
A1		X122-000072	1	BAR,GUIDE 30	ECHO		
A2		X222-000130	1	CHAIN,SAW	91VXL-47E		
A3		X222-000140	1	CHAIN,SAW	91PX-47E		
B1		X123-000132	1	BAR,GUIDE 35	35RC50M-3/8		
B2		X223-000080	1	CHAIN,SAW	91VXL-53E		
B3		X223-000130	1	CHAIN,SAW	91PX-53E		
C1		430211-13432	1	BAR,GUIDE 40RC50-3/8	40RC50-3/8		
C2		X224-000030	1	CHAIN,SAW	91VXL-58E		
C3		X224-000070	1	CHAIN,SAW	91PX-58E		
D1		430219-38732	1	BAR, GUIDE 35RC503/8	35RC50L-3/8E-1-		
D2		X223-000080	1	CHAIN,SAW	91VXL-53E		
D3		X223-000130	1	CHAIN,SAW	91PX-53E		
E1		X102-000070	1	BAR,GUIDE 30	30C50SL ECHO		
E2		431611-10030	1	CHAIN, SAW 25AP-68E	25AP-68E		
E3		X202-000010	1	CHAIN,SAW	25A-68E		
F1		X103-000110	1	BAR,GUIDE 35	35C50SL ECHO		
F2		431612-10030	1	CHAIN, SAW 25AP-76E	25AP-76E		
F3		X203-000000	1	CHAIN,SAW	25A-76E		

**Index**

<b>Patrs Number</b>	<b>Key No.</b>	<b>Patrs Number</b>	<b>Key No.</b>	<b>Patrs Number</b>	<b>Key No.</b>
100013-15330	1 - 5	436205-02832	4 - 10	A239-000030	4 - 27
100014-60930	1 - 7	890157-39131	5 - 28	A241-000060	5 - 27
100015-04630	1 - 6	890345-39231	5 - 29	A300-001660	2 - 1
100142-12330	1 - 27	895410-03930	2 - 12	A310-000431	2 - 3
100910-18830	4 - 30	895812-03930	2 - 13	A312-000070	2 - 9
100918-14330	5 - 1	900105-05018	2 - 8	A313-001871	2 - 5
100918-15130	4 - 28	900106-05020	1 - 16	A313-001922	2 - 4
100918-15130	5 - 34	900106-05030	1 - 21	A320-000962	6 - 34
123181-39130	4 - 23	900162-05025	1 - 2	A365-000050	4 - 7
125310-13930	7 - 16	900238-04012	4 - 4	A365-000050	4 - 7
125314-51230	7 - 8	900238-05012	1 - 28	A409-001180	3 - 1
125322-13930	7 - 18	900238-05020	3 - 9	A425-000000	3 - 13
125323-08260	7 - 19	900238-05050	5 - 16	A426-000000	3 - 14
125325-08360	7 - 11	900242-04012	2 - 6	A427-000000	3 - 15
125327-13930	7 - 9	900253-04008	5 - 6	A472-000091	5 - 43
125327-15130	7 - 33	900253-04010	1 - 15	A506-000460	3 - 26
125333-33330	7 - 14	900253-04012	1 - 26	A507-000110	3 - 28
125337-08260	7 - 17	900253-04012	5 - 19	A514-000020	3 - 4
125338-13930	7 - 20	900253-04012	6 - 10	A551-000010	6 - 20
125339-13930	7 - 21	900253-04012	6 - 31	A552-000020	6 - 24
125340-51030	7 - 23	900253-04016	5 - 33	C022-000020	4 - 2
125342-52130	7 - 24	900253-04016	6 - 35	C032-000216	6 - 1
125344-08560	7 - 13	900253-05020	1 - 23	C300-000242	6 - 13
125344-52130	7 - 25	900253-05020	1 - 25	C304-000000	1 - 24
125345-13310	7 - 35	900253-05020	5 - 7	C305-000080	1 - 12
125348-13930	7 - 5	900256-04016	3 - 30	C309-000030	6 - 27
125378-13930	7 - 15	900330-30260	6 - 3	C320-000047	6 - 2
131205-14931	4 - 19	900345-40025	5 - 24	C328-000030	6 - 14
131300-56431	4 - 21	900515-00008	3 - 2	C334-000070	6 - 12
132115-01461	4 - 13	900562-50005	6 - 4	C345-000084	6 - 9
132115-44330	4 - 20	900603-00005	3 - 6	C400-000321	5 - 4
150117-16430	3 - 10	900720-00018	4 - 6	C410-000253	5 - 11
156110-04920	3 - 12	900720-00018	4 - 6	C411-000001	5 - 18
163400-38430	5 - 10	900724-00004	1 - 22	C450-000141	5 - 22
163911-30130	1 - 19	91318-05032	6 - 7	C454-000110	5 - 21
175005-39133	6 - 19	92505-10200	5 - 42	C617-000200	5 - 5
177234-35430	3 - 3	93050-30098	6 - 15	P005-000790	7 - 6
177236-61830	3 - 29	94035-36201	1 - 10	P005-000860	7 - 34
177247-04630	3 - 5	A021-003780	5 - 25	P005-000880	7 - 32
178090-37930	5 - 20	A021-003780	7 -	P005-000900	7 - 31
430211-13432	8 - C1	A051-000804	3 - 20	P005-001110	7 - 10
430219-38732	8 - D1	A056-000070	6 - 21	P005-002230	7 - 22
431611-10030	8 - E2	A101-000640	1 - 4	P005-002320	7 - 2
431612-10030	8 - F2	A172-002190	3 - 18	P005-002330	7 - 3
433019-03933	6 - 32	A202-000033	5 - 40	P005-002340	7 - 4
433026-35430	1 - 31	A204-000060	5 - 17	P005-002350	7 - 7
433116-35430	6 - 11	A226-001700	5 - 12	P005-002360	7 - 12
433167-39130	6 - 6	A232-000191	5 - 13	P005-002370	7 - 26
436114-13930	4 - 9	A235-000140	5 - 15	P005-002380	7 - 27



**Index**

<b>Patrs Number</b>	<b>Key No.</b>	<b>Patrs Number</b>	<b>Key No.</b>	<b>Patrs Number</b>	<b>Key No.</b>
P005-002390	7 - 29	V471-000760	4 - 14		
P005-002400	7 - 36	V471-001290	4 - 25		
P005-003050	7 - 30	V471-001440	4 - 24		
P021-005581	4 - 8	V475-002390	3 - 16		
P021-005591	4 - 5	V475-007430	3 - 19		
P021-005810	6 - 23	V485-000550	3 - 11		
P021-008741	1 - 17	V485-000560	5 - 8		
P021-010890	4 - 1	V485-000571	5 - 9		
P021-039131	1 - 1	V490-001230	4 - 12		
P021-039150	1 - 3	V490-001240	4 - 18		
P021-039160	1 - 9	V505-000011	1 - 11		
P021-040641	1 - 20	V553-000040	1 - 8		
P021-047431	3 - 8	V555-000170	6 - 18		
P022-001330	3 - 24	V582-000020	5 - 14		
P022-005891	3 - 23	V651-000001	6 - 30		
P022-008440	3 - 25	V651-000011	6 - 28		
V103-001510	5 - 39	V652-000030	4 - 3		
V104-001960	2 - 7	X102-000070	8 - E1		
V104-001980	2 - 2	X103-000110	8 - F1		
V130-000010	5 - 26	X122-000072	8 - A1		
V137-000000	4 - 22	X123-000132	8 - B1		
V142-000020	5 - 38	X202-000010	8 - E3		
V186-000510	4 - 26	X203-000000	8 - F3		
V202-000020	4 - 29	X222-000130	8 - A2		
V202-000020	5 - 2	X222-000140	8 - A3		
V203-000041	6 - 26	X223-000080	8 - B2		
V203-000080	3 - 7	X223-000080	8 - D2		
V224-000031	1 - 14	X223-000130	8 - B3		
V308-000030	4 - 31	X223-000130	8 - D3		
V341-000040	1 - 18	X224-000030	8 - C2		
V351-000000	5 - 41	X224-000070	8 - C3		
V353-000060	6 - 5	X490-000510	2 - 10		
V355-000140	6 - 29	X502-000102	3 - 31		
V356-000290	4 - 32	X502-000340	6 - 33		
V359-000060	1 - 29	X503-011380	5 - 37		
V376-000450	6 - 16	X505-006921	3 - 32		
V400-000070	5 - 30	X505-007710	6 - 36		
V401-000120	5 - 3				
V420-001110	1 - 13				
V424-000000	5 - 32				
V450-000070	6 - 17				
V451-000470	6 - 22				
V452-000110	6 - 8				
V452-000260	5 - 23				
V452-001320	3 - 27				
V470-000321	4 - 17				
V470-000482	1 - 30				
V471-000740	4 - 11				
V471-000750	4 - 16				

# YAMABIKO CORPORATION

7-2 SUEHIROCHO 1-CHOME, OHME, TOKYO 198-8760, JAPAN  
PHONE: 81-428-32-6118. FAX: 81-428-32-6145.



**ECHO<sup>®</sup>**

14Cb  
No. 04-096