



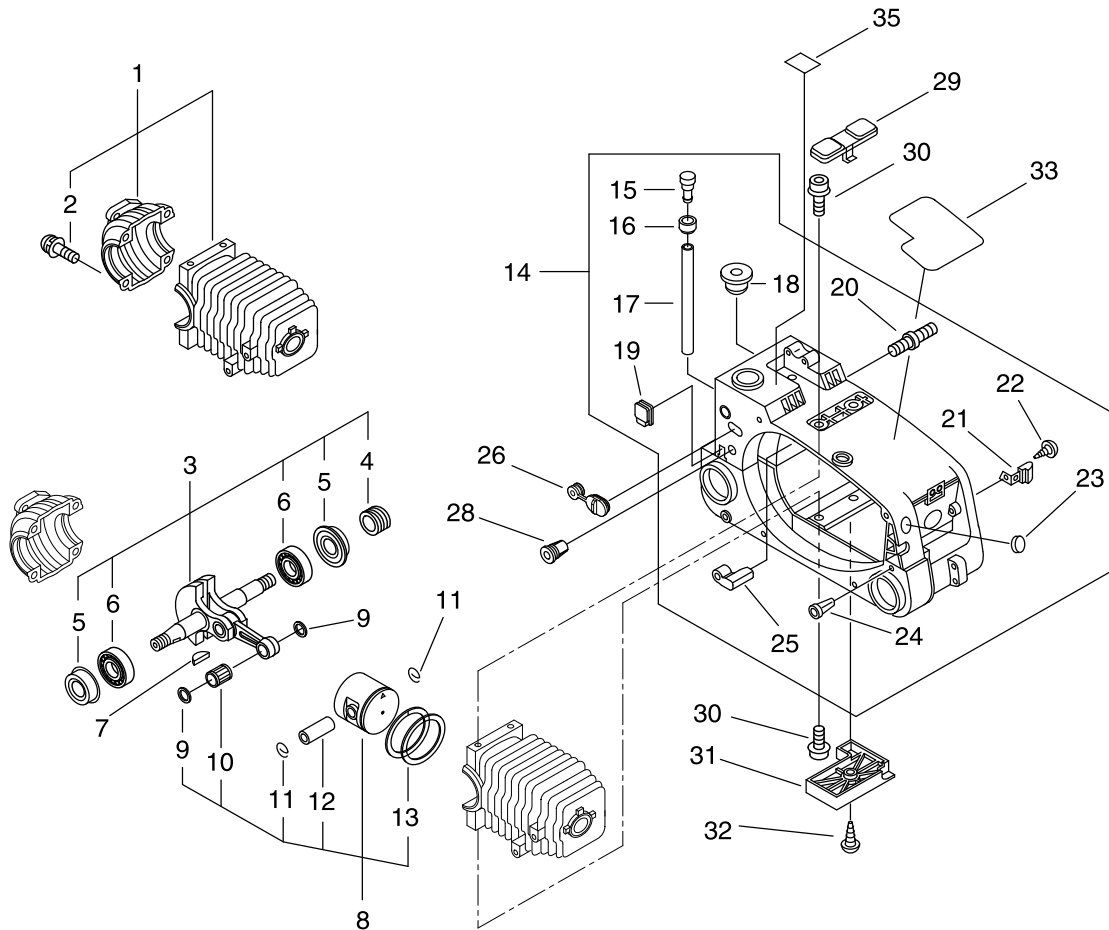
PARTS CATALOG

TOP HANDLE SAW CS-3400(36)35RC

36000001 -

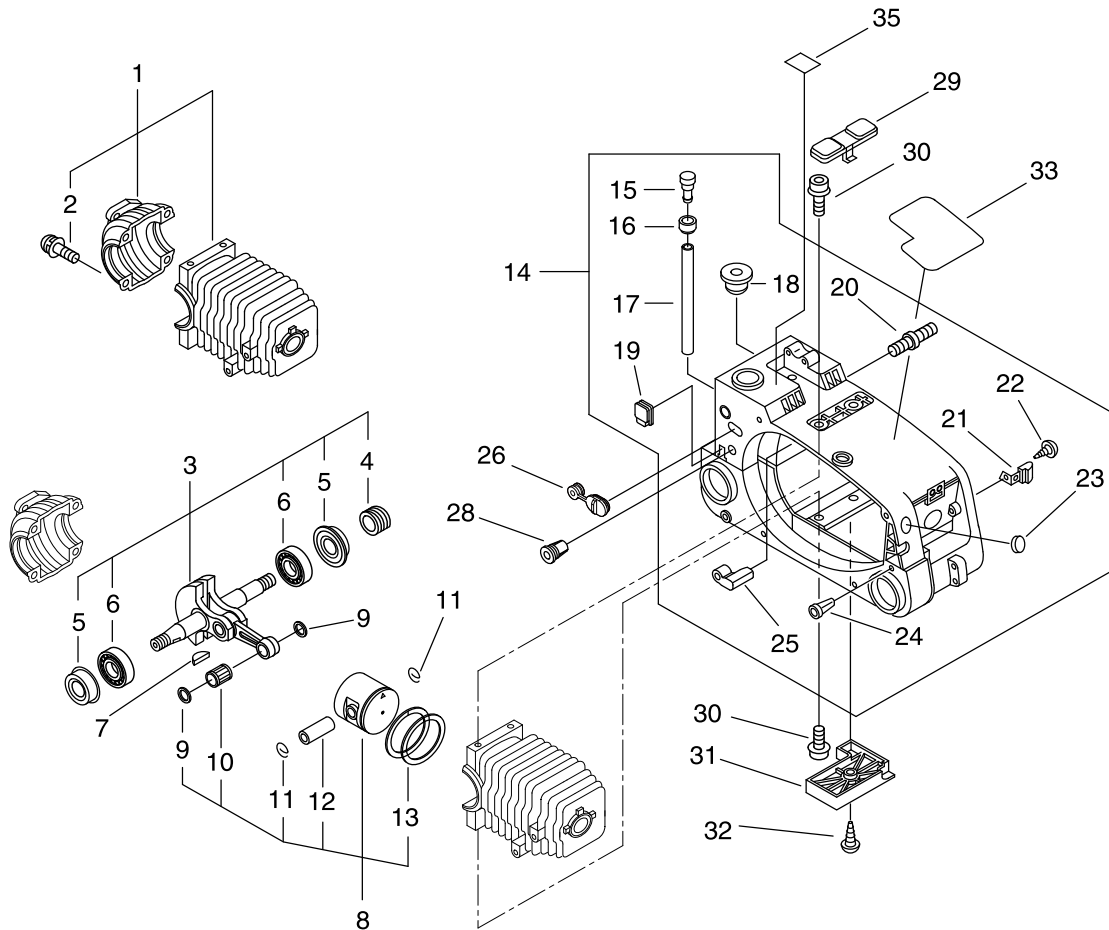
P014-002830-12Jb

1. CYLINDER, PISTON, CRANKCASE



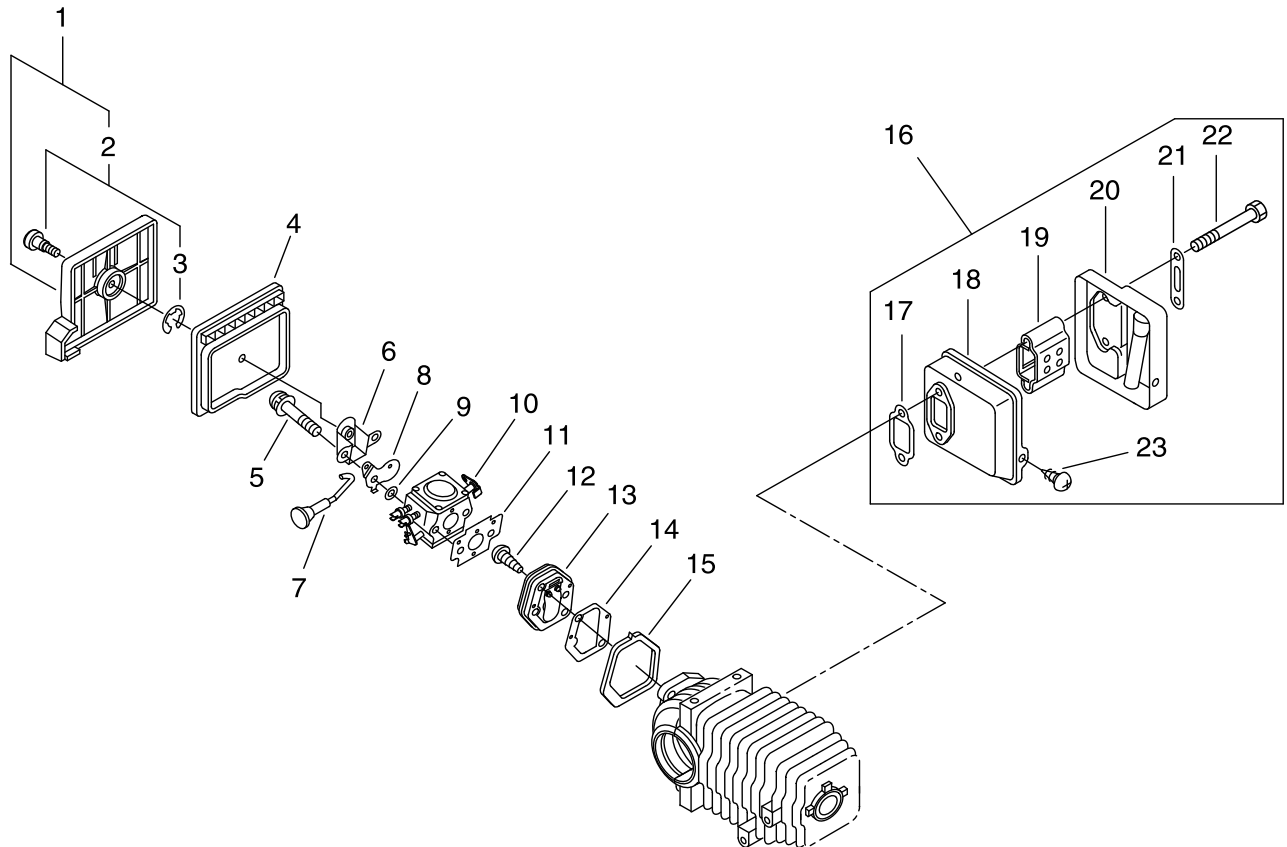
KEY	LV	PART NUMBER	Q'TY	DESCRIPTION	REMARKS	NOTE1	NOTE2
1		100202-70031	1	CRANKCASE SET			
2	+	900238-05025	4	SCREW 5*25	5*25		
3		P021-011013	1	CRANKSHAFT ASY			
4	+	V652-000021	1	GEAR, WORM			
5	+	V505-000011	2	SEAL, OIL 12	12*32*5.5		
6	+	94035-36201	2	BEARING BALL	6201X3JR2C3		
7		100142-39130	1	KEY, WOODRUFF			
8		100000-39230	1	PISTON KIT			
9	+	100014-11520	2	SPACER, PISTON PIN			
10	+	175012-03930	1	BEARING, NEEDLE			
11	+	100015-04630	2	CIRCLIP, PISTON PIN			
12	+	100013-15330	1	PIN, PISTON	5.5*8*29		
13	+	100011-13330	2	RING, PISTON			
14		P021-041800	1	COVER KIT			
15	+	131300-56431	1	VENT ASSEMBLY, FUEL			
16	+	131328-39130	1	COVER, VENT			
17	+	132010-04920	1	PIPE, FUEL	3*5*150L NBR		
18	+	132115-39130	1	GROMMET, FUEL			
19	+	104034-39130	1	PLUG			
20	+	V224-000031	2	BOLT, STUD 6			
21	+	104215-39131	1	LATCH			
22	+	900253-04010	1	SCREW 4*10	4*10		
23	+	163911-39130	1	PLUG			
24	+	436114-13930	1	VALVE, CHECK			
25	+	130336-39530	1	PLUG			
26		178810-39630	1	GROMMET, CHOKE			

1. CYLINDER, PISTON, CRANKCASE



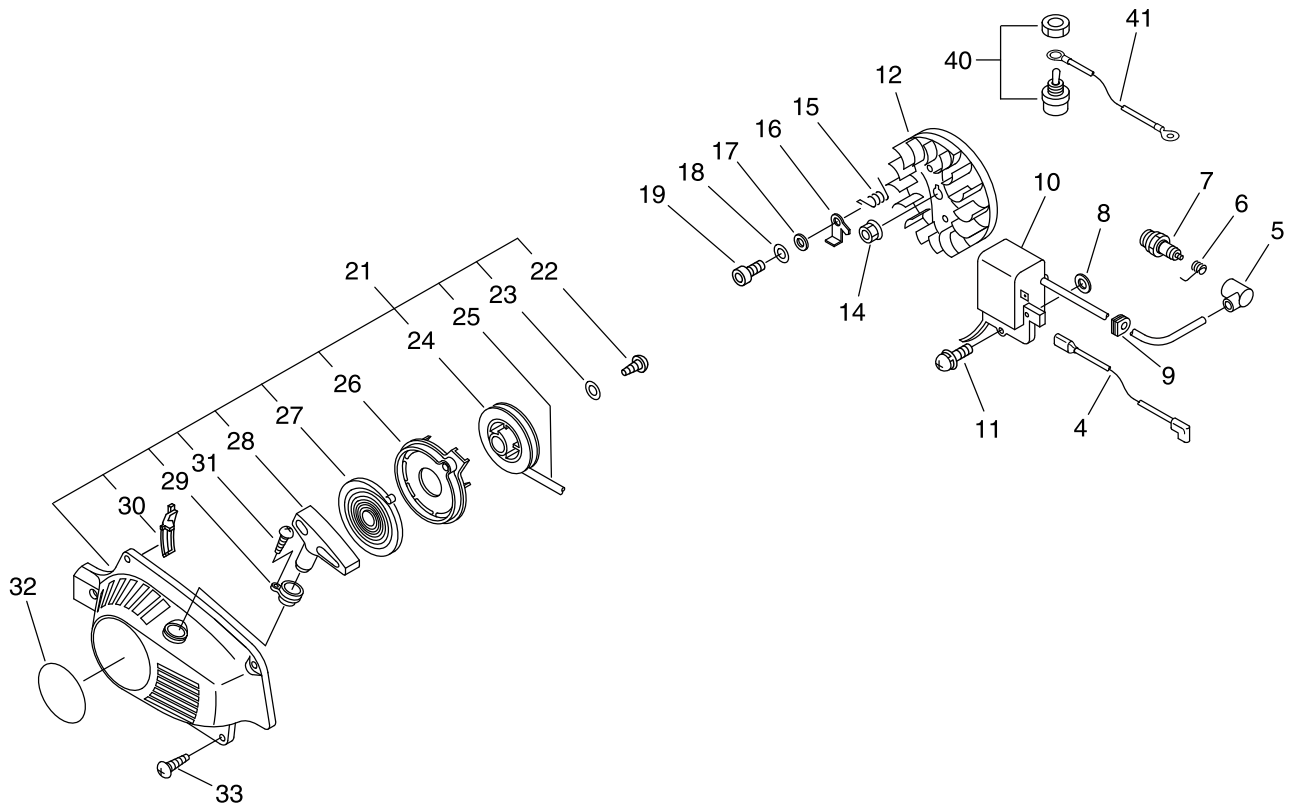
KEY	LV	PART NUMBER	Q'TY	DESCRIPTION	REMARKS	NOTE1	NOTE2
28		129023-39131	1	GROMMET, IDLE			
29		104029-39130	1	PLUG, UPPER			
30		900106-05016	4	BOLT, H.S. 5*16	5*16		
31		104044-39130	1	PLUG, LOWER			
32		900256-04016	1	SCREW 4*16			
33		X524-002130	1	LABEL	CS-3400		
35		890631-38230	1	LABEL, CAUTION			

2. AIR CLEANER, MUFFLER



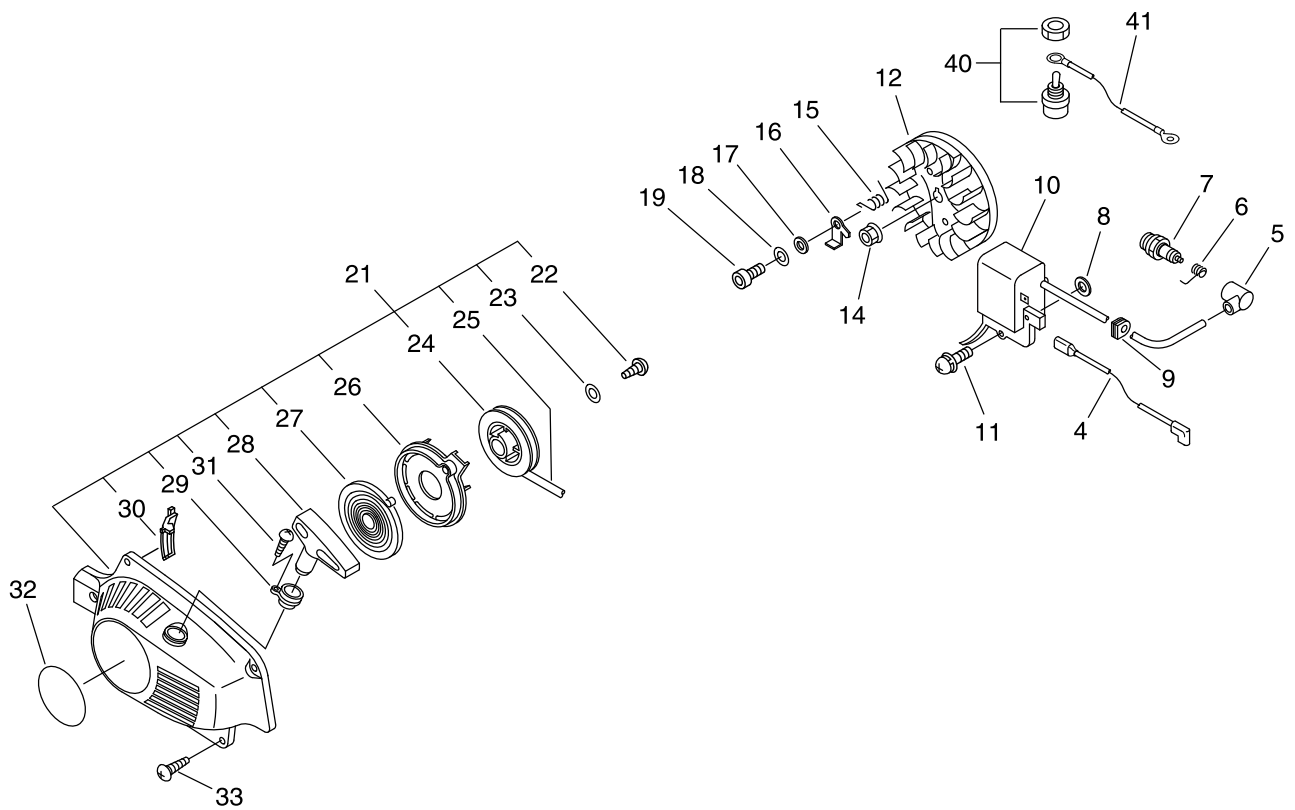
KEY	LV	PART NUMBER	Q'TY	DESCRIPTION	REMARKS	NOTE1	NOTE2
1		130302-39136	1	COVER ASY, A.CLEANER			
2	+	130406-13933	1	BOLT, THUMB			
3	++	900700-00004	1	E-RING 4	CE-4		
4		130310-39132	1	FILTER, AIR			
5		900238-05045	2	SCREW 5*45	5*45		
6		129011-39130	1	PLATE, PREVENT			
7		178510-39130	1	ROD, CHOKE			
8		178515-39130	1	SHUTTER, CHOKE			
9		178516-03930	2	WASHER			
10		123001-39135	1	CARBURETOR WT-402A			
11		130016-39130	1	GASKET, INTAKE			
12		900250-05018	2	SCREW 5*18	5*18		
13		P021-000010	1	INSULATOR KIT			
14		130010-39130	1	GASKET, INTAKE			
15		130012-39131	1	SEAL			
16		145600-14931	1	MUFFLER ASSY			
17	+	145510-13931	1	GASKET, MUFFLER			
18	+	145858-13931	1	MUFFLER			
19	+	145859-13930	1	SILENCER			
20	+	145606-14931	1	LID, MUFFLER			
21	+	145642-13930	1	WASHER, MUFFLER			
22	+	101023-13930	2	BOLT, MUFFLER			
23	+	900250-04008	1	SCREW 4*8	4*8		

3. STARTER, MAGNETO



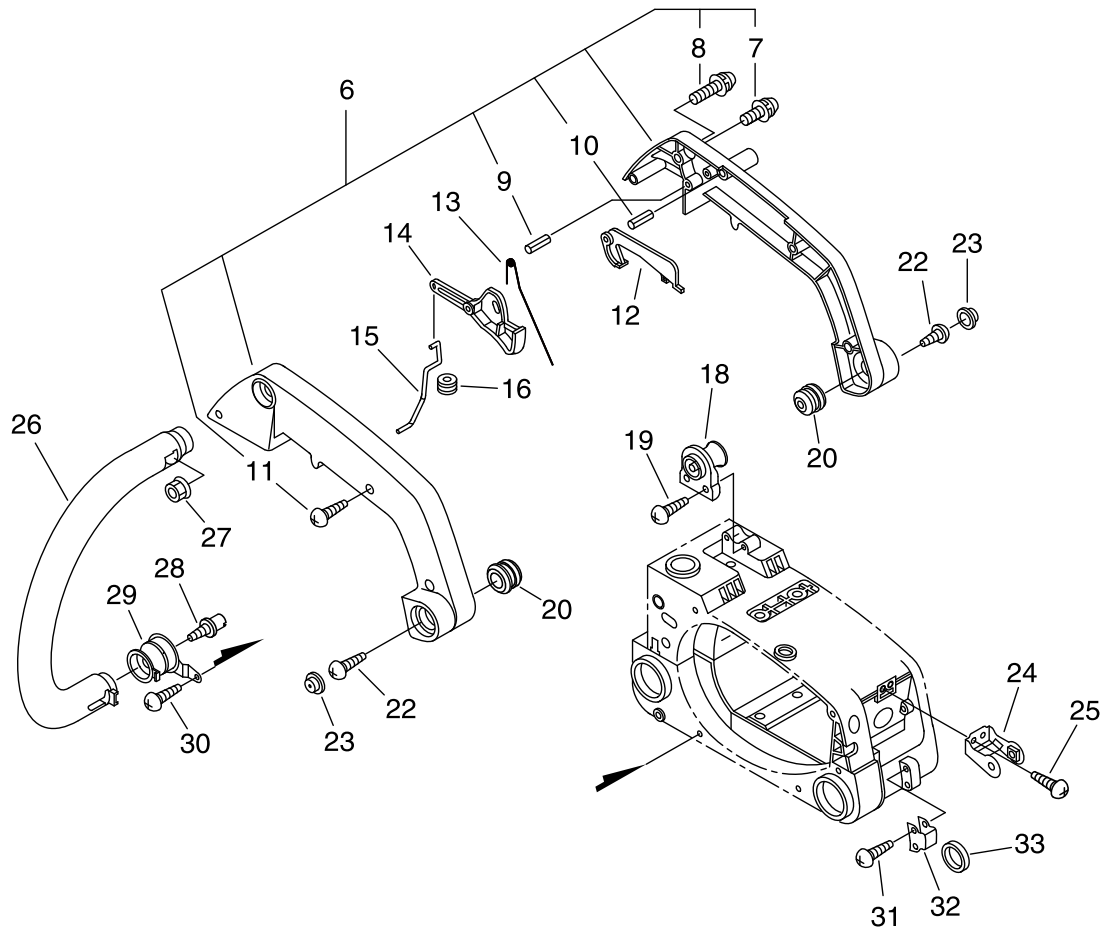
KEY	LV	PART NUMBER	Q'TY	DESCRIPTION	REMARKS	NOTE1	NOTE2
4		162010-39431	1	LEAD			
5		159012-01620	1	CAP, SPARK PLUG			
6		159011-03432	1	COIL, SPARK PLUG			
7		159010-10230	1	PLUG, SPARK (BPMR-7A)	BPMR-7A		
8		150117-16430	2	SPACER			
9		156110-04920	1	BUSHING			
10		A411-000150	1	COIL,IGNITION			
11		900238-05022	2	SCREW 5*22	5*22		
12		156800-39233	1	ROTOR, MAGNETO	EMG-51G C7979G		
14		900515-00008	1	NUT, FLANGE 8	8		
15		177234-35430	2	SPRING, RETURN			
16		A514-000001	2	PAWL			
17		177247-04630	2	SPACER, RATCHET	5.2*8*2.1		
18		900603-00005	2	WASHER 5	5.5*12*0.8		
19		V203-000090	2	BOLT,5	M5*14		
21		177200-39433	1	STARTER ASY			
22	+	900253-04014	1	SCREW 4*14	4*14		
23	+	177214-04630	1	WASHER	4.1*15.5*1T		
24	+	177215-35632	1	REEL,ROPE			
25	+	177226-06530	1	ROPE, STARTER	3.0*850		
26	+	177221-35631	1	PLATE, STARTER			
27	+	177220-35430	1	SPRING, REWIND			
28	+	177228-35431	1	GRIP, STARTER			
29	+	177227-39131	1	GUIDE, ROPE BL			
30	+	177256-39130	1	PLUG			

3. STARTER, MAGNETO



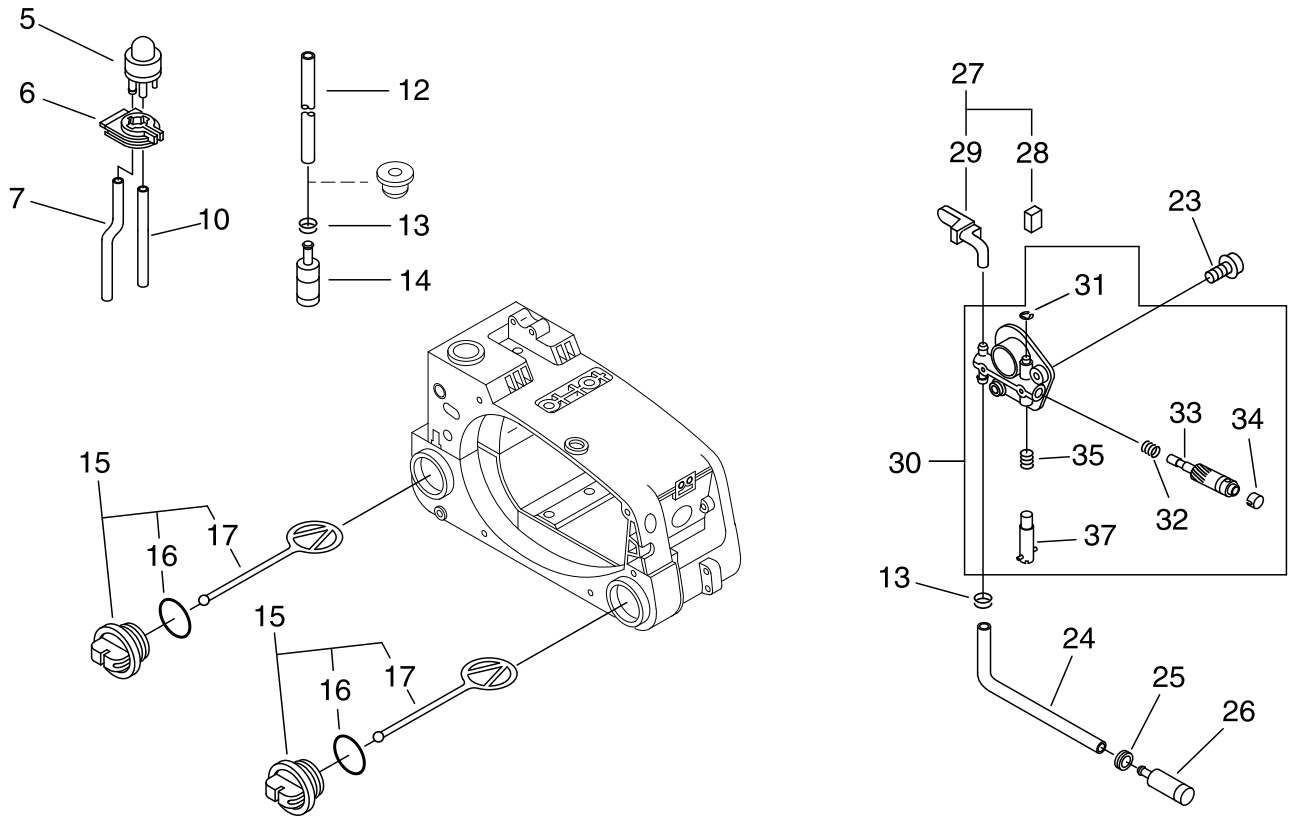
KEY	LV	PART NUMBER	Q'TY	DESCRIPTION	REMARKS	NOTE1	NOTE2
31	+	900296-03014	1	SCREW 3*14	3*14 SUS		
32		X502-000780	1	LABEL,ECHO			
33		900256-04016	4	SCREW 4*16			
40		163400-39130	1	SWITCH, IGNITION			
41		162010-39131	1	LEAD, GROUD	100L		

4. HANDLE



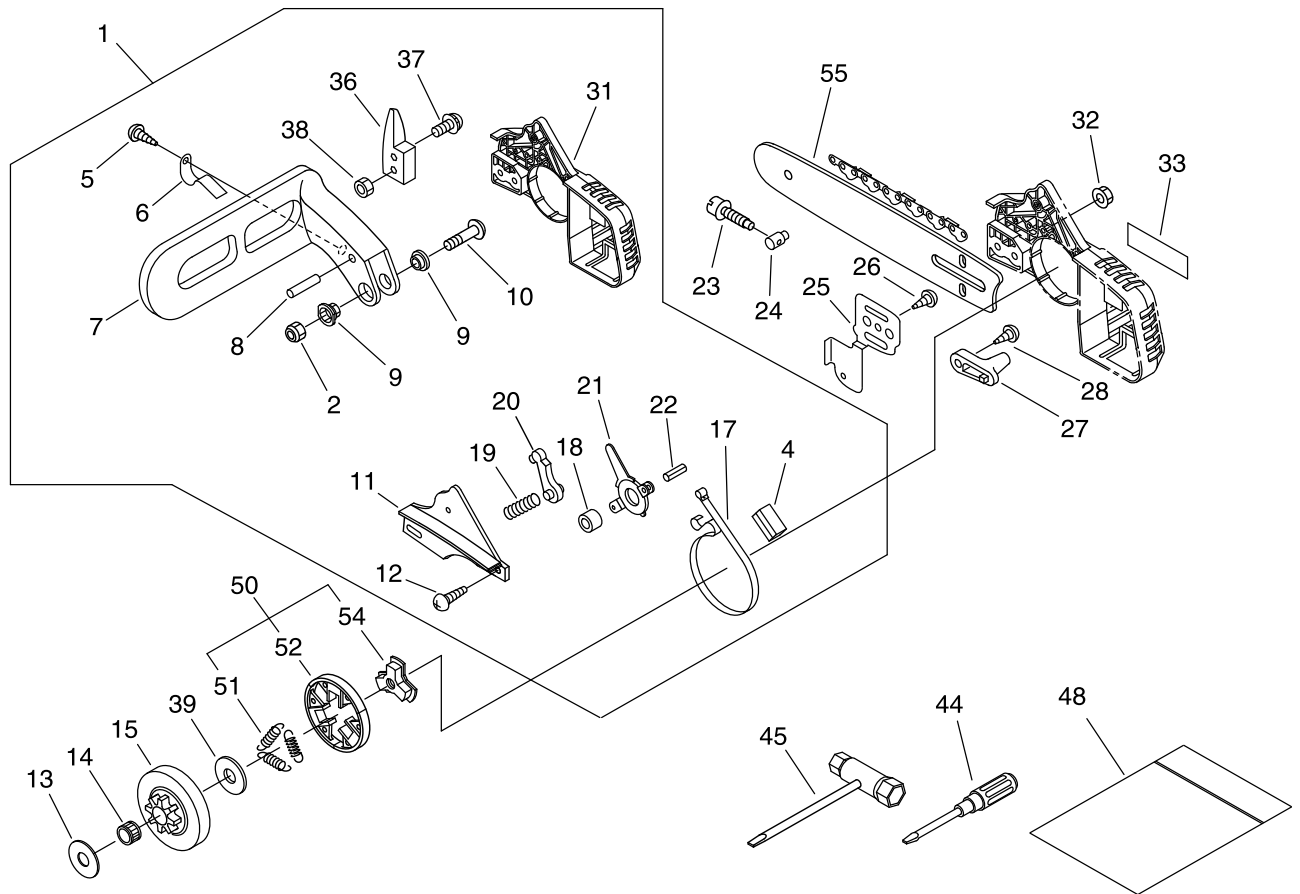
KEY	LV	PART NUMBER	Q'TY	DESCRIPTION	REMARKS	NOTE1	NOTE2
6		351100-39131	1	HANDLE SET, REAR BL			
7	+	900238-05014	1	SCREW 5*14	5*14		
8	+	900238-05035	1	SCREW 5*35	5*35		
9	+	900345-40025	1	PIN, SPRING 4*25SUS	4*25SUS		
10	+	900345-40020	1	PIN, SPRING 4*20	4*20		
11	+	900256-04016	3	SCREW 4*16			
12		178090-39130	1	LOCKOUT, THROTTLE			
13		178043-39131	1	SPRING, THR. RETURN			
14		178010-39131	1	CONTROL, THROTTLE			
15		178011-39131	1	ROD, THROTTLE			
16		178210-39130	1	GROMMET, THROTTLE			
18		100907-39131	1	CUSHION			
19		900253-04014	2	SCREW 4*14	4*14		
20		100921-39131	2	CUSHION			
22		900238-04010	2	SCREW 4*10	4*10		
23		100918-15130	2	CAP			
24		351123-39131	1	SUPPORTER			
25		900253-04014	2	SCREW 4*14	4*14		
26		351610-39130	1	HANDLE, FRONT			
27		900516-00005	1	NUT, FRANGE 5	5		
28		100915-33930	1	SCREW			
29		100910-35630	1	CUSHION			
30		900256-04016	1	SCREW 4*16			
31		900238-04016	2	SCREW 4*16	4*16		
32		300314-39130	1	FIXTURE, HARNESS			
33		301016-52730	1	RING, HARNESS			

5. AUTO-OILER



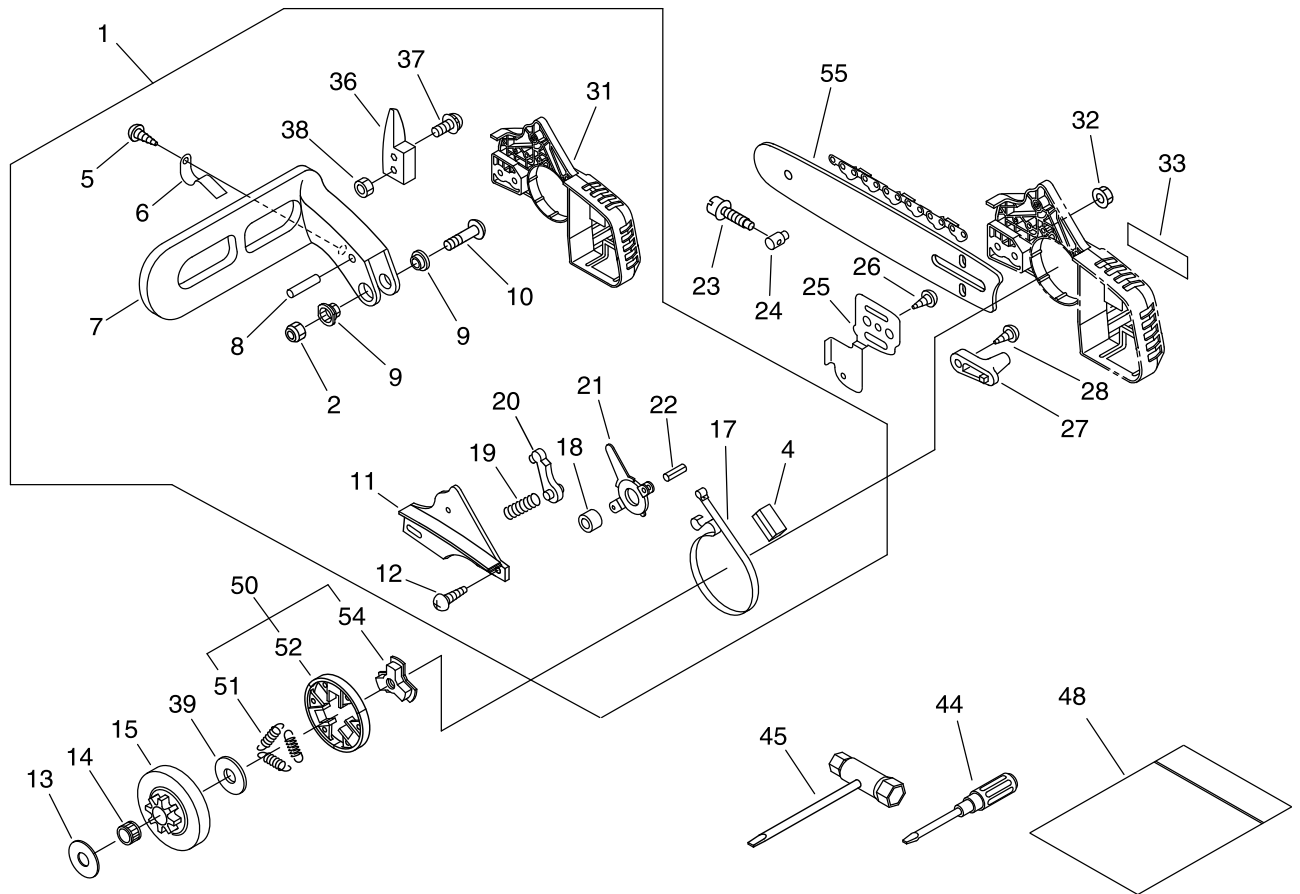
KEY	LV	PART NUMBER	Q'TY	DESCRIPTION	REMARKS	NOTE1	NOTE2
5		123181-39130	1	PUMP, PRIMER			
6		132758-39131	1	BRACKET, PUMP			
7		132716-39130	1	PIPE 2*4*42	2*4*42		
10		V471-001200	1	PIPE	3*5*70 NBR		
12		132012-39130	1	PIPE	3*6*80 NBR		
13		V490-001230	2	CLIP			
14		131205-14931	1	STRAINER,FUEL			
15		P021-007630	2	CAP ASY,TANK			
16	+	900721-00025	2	O-RING 25	G-25		
17	+	A365-000050	2	CONNECTOR,CAP			
23		900235-05012	2	SCREW 5*12	5*12		
24		V471-000110	1	PIPE	3*6*115		
25		132115-01461	1	GROMMET			
26		436205-02832	1	STRAINER, OIL			
27		437201-39131	1	PIPE KIT, OIL			
28	+	437244-39130	1	PAD, FORM			
29	+	437211-39133	1	PIPE			
30		C022-000010	1	OILER,ASM AUTO			
31	+	125327-15130	1	CLIP			
32	+	P022-010660	1	SPRING			
33	+	P022-010650	1	PLUNGER			
34	+	P022-010640	1	CAP, OIL PUMP			
35	+	P022-010670	1	SPRING			
37	+	P022-010680	1	SCREW ASS'Y, ADJUST			

6. CLUTCH, SPROCKET



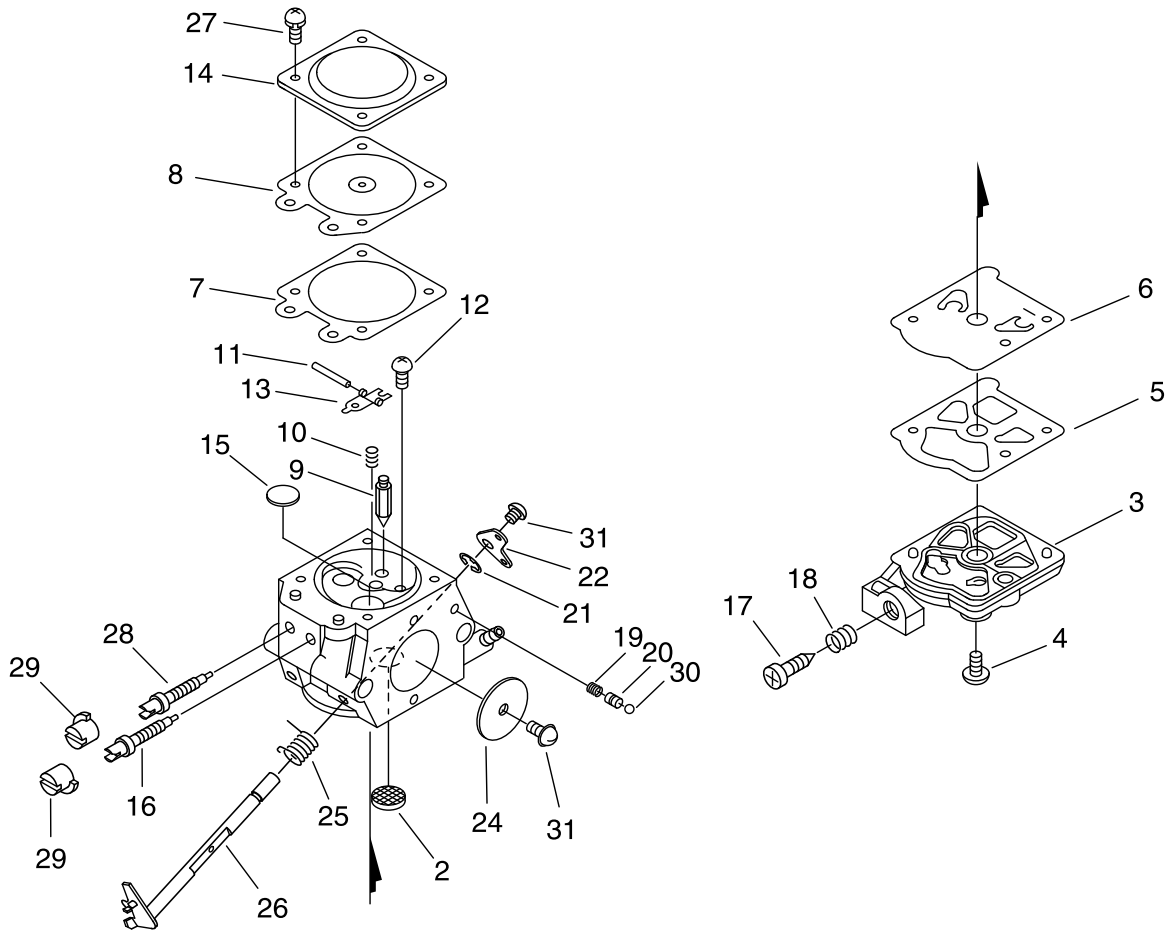
KEY	LV	PART NUMBER	Q'TY	DESCRIPTION	REMARKS	NOTE1	NOTE2
1		433100-39631	1	BRAKE ASY, CHAIN			
2	+	900562-50005	1	LOCKNUT 5	5		
4	+	433312-32630	1	COVER, SEAL			
5	+	900253-04010	1	SCREW 4*10	4*10		
6	+	433114-39130	1	SPRING			
7	+	433111-39631	1	LEVER, BRAKE			
8	+	900330-40238	1	ROLLER 4*23.8	4*23.8		
9	+	433167-39130	2	SPACER			
10	+	91318-05032	1	SCREW	5*32		
11	+	433310-39130	1	COVER, BRAKE			
12	+	900253-04012	3	SCREW	4*12		
17	+	433123-39130	1	BAND, BRAKE			
18	+	433116-35430	1	SPACER 8	8*12*9		
19	+	433122-35430	1	SPRING, BRAKE			
20	+	433209-35430	1	STOPPER, BRAKE			
21	+	433208-35431	1	LEVER, BRAKE			
22	+	900330-40088	1	ROLLER 4*8.8	4*8.8		
31	+	433005-39133	1	GUARD, SPROCKET			
36	+	433171-39630	1	WEIGHT, BRAKE			
37	+	900238-04020	2	SCREW 4*20	4*20		
38	+	900500-00004	2	NUT 4	4		
13		175014-39131	1	WASHER, CLUTCH	10.2*24.5*1.2		
14		V555-000150	1	BEARING, NEEDLE			
15		175005-39133	1	DRUM, CLUTCH			
23		433016-39131	1	BOLT			

6. CLUTCH, SPROCKET



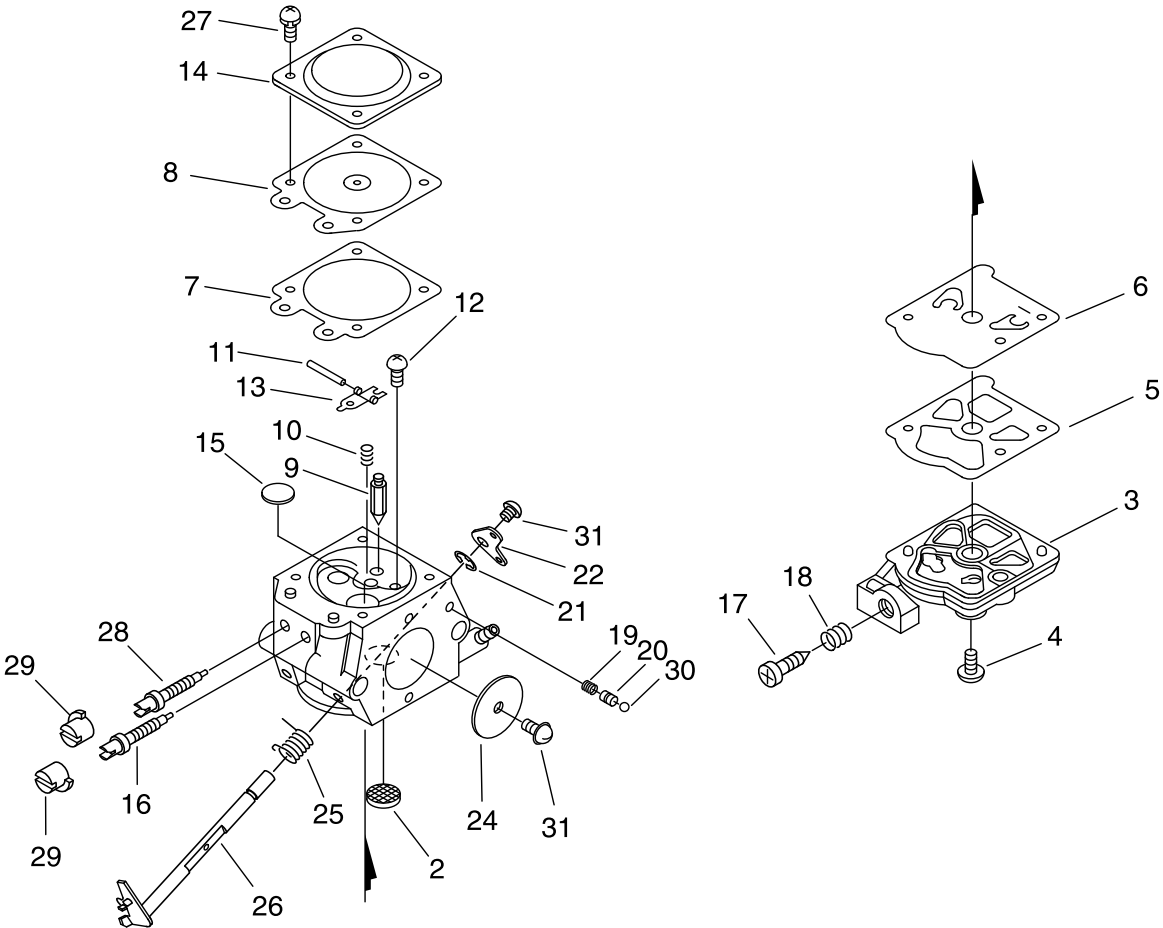
KEY	LV	PART NUMBER	Q'TY	DESCRIPTION	REMARKS	NOTE1	NOTE2
24		433014-03931	1	TENSIONER			
25		433012-39131	1	PLATE, GUIDE			
26		900253-04010	1	SCREW 4*10	4*10		
27		433026-35430	1	CATCHER, CHAIN			
28		900253-05020	1	SCREW 5*20	5*20		
32		433019-03933	2	NUT, FLANGE 6	6		
33		X502-000340	1	LABEL, ECHO	ECHO(WHITE)		
39		A551-000010	1	PLATE, CLUTCH			
44		895812-03930	1	DRIVER, SCREW 50			
45		895410-03930	1	WRENCH, W/S. DRIVER			
48		X698-000050	1	TOOL, CASE	140*260*0.06		
50		A056-000070	1	CLUTCH			
51	+	V451-000470	3	SPRING, TENSION			
52	+	P021-005810	1	CLUTCH SHOE SET			
54	+	A552-000020	1	HUB, CLUTCH			
55		X123-000132	1	BAR, GUIDE 35	35RC50M-3/8 ECHO		

7. CARBURETOR



KEY	LV	PART NUMBER	Q'TY	DESCRIPTION	REMARKS	NOTE1	NOTE2
		123001-39135	1	CARBURETOR WT-402A			
2	+	P003-005040	1	SCREEN,INLET			
3	+	123124-09320	1	COVER, FUEL PUMP			
4	+	123110-03930	1	SCREW, PUMP COVER			
5	+	123125-15030	1	GASKET, FUEL PUMP			
6	+	123112-15030	1	DIAPHRAGM, FUEL PUMP			
7	+	123140-27230	1	GASKET, M. DIAPHRAGM			
8	+	P003-001850	1	DIAPHRAGM, METERING			
9	+	123137-19830	1	VALVE, INLET NEEDLE			
10	+	123122-03660	1	SPRING, METER. LEVER			
11	+	123138-03930	1	PIN, METERING LEVER			
12	+	123139-03930	1	SCREW, M. LEVER PIN			
13	+	123123-03930	1	LEVER, METERING			
14	+	123142-03930	1	COVER, M. DIAPHRAGM			
15	+	123146-10631	1	PLUG, WELCH			
16	+	123118-39231	1	NEEDLE, IDLE			
17	+	123134-19730	1	SCREW, IDLE ADJUST			
18	+	123133-11130	1	SPRING, IDLE ADJUST			
19	+	123186-09660	1	SPRING, START VALVE			
20	+	123185-09660	1	PISTON ASSY			
21	+	123127-15030	1	RING			
22	+	123150-39230	1	LEVER, THROTTLE			
24	+	123116-05230	1	VALVE, THROTTLE			
25	+	123113-47530	1	SPRING, THR. RTN.			
26	+	123117-39530	1	SHAFT, THROTTLE			
27	+	123130-02960	4	SCREW			

7. CARBURETOR



KEY	LV	PART NUMBER	Q'TY	DESCRIPTION	REMARKS	NOTE1	NOTE2
28	+	123120-39231	1	NEEDLE, HIGH SPEED			
29	+	P003-000010	2	LIMITER CAP			
30	+	123136-09660	1	BALL			
31	+	123114-38830	2	SCREW			

8. GUIDE BAR, CHAIN

GUIDE BAR		CHAIN	
1A	30RC50M-3/8 ECHO	2A	91VXL-47E
		3A	91PX-47E
1B	35RC50M-3/8 ECHO	2B	91VXL-53E
		3B	91PX-53E

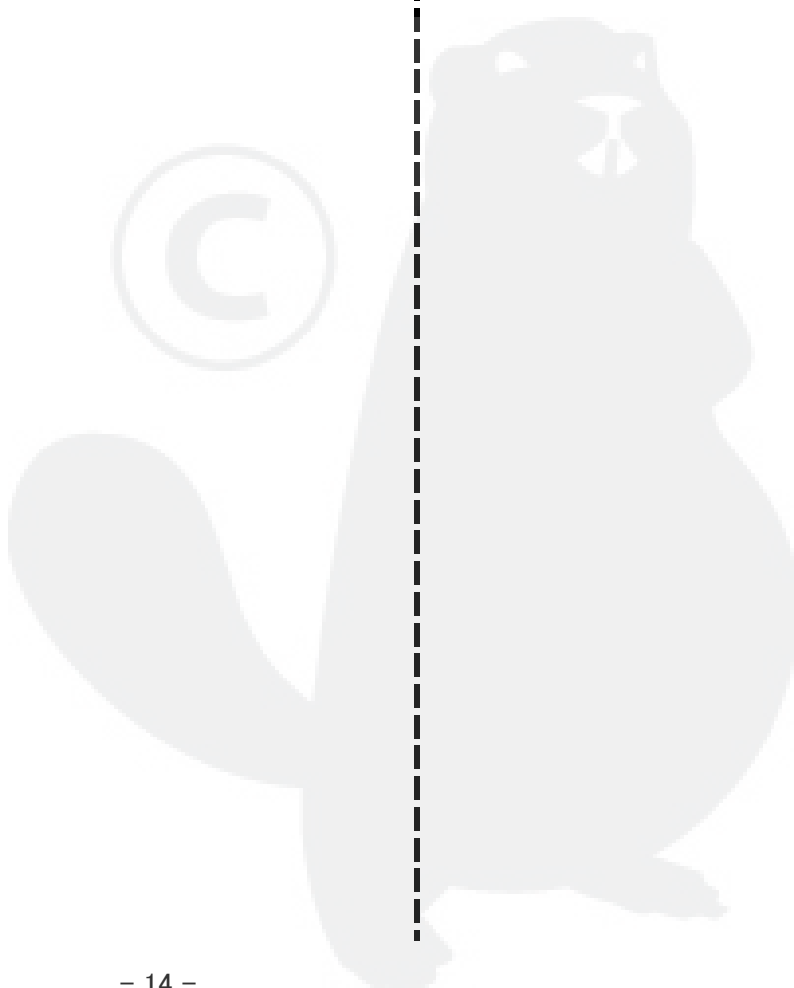
KEY	LV	PART NUMBER	Q'TY	DESCRIPTION	REMARKS	NOTE1	NOTE2
1A		X122-000072	1	BAR,GUIDE 30	30RC50M-3/8 ECHO		
2A		X222-000130	1	CHAIN,SAW	91VXL-47E		
3A		X222-000140	1	CHAIN,SAW	91PX-47E		
1B		X123-000132	1	BAR,GUIDE 35	35RC50M-3/8 ECHO		
2B		X223-000080	1	CHAIN,SAW	91VXL-53E		
3B		X223-000130	1	CHAIN,SAW	91PX-53E		

Index

Patrs Number	Key No.	Patrs Number	Key No.	Patrs Number	Key No.
100000-39230	1 - 8	130010-39130	2 - 14	178090-39130	4 - 12
100011-13330	1 - 13	130012-39131	2 - 15	178210-39130	4 - 16
100013-15330	1 - 12	130016-39130	2 - 11	178510-39130	2 - 7
100014-11520	1 - 9	130302-39136	2 - 1	178515-39130	2 - 8
100015-04630	1 - 11	130310-39132	2 - 4	178516-03930	2 - 9
100142-39130	1 - 7	130336-39530	1 - 25	178810-39630	1 - 26
100202-70031	1 - 1	130406-13933	2 - 2	300314-39130	4 - 32
100907-39131	4 - 18	131205-14931	5 - 14	301016-52730	4 - 33
100910-35630	4 - 29	131300-56431	1 - 15	351100-39131	4 - 6
100915-33930	4 - 28	131328-39130	1 - 16	351123-39131	4 - 24
100918-15130	4 - 23	132010-04920	1 - 17	351610-39130	4 - 26
100921-39131	4 - 20	132012-39130	5 - 12	433005-39133	6 - 31
101023-13930	2 - 22	132115-01461	5 - 25	433012-39131	6 - 25
104029-39130	1 - 29	132115-39130	1 - 18	433014-03931	6 - 24
104034-39130	1 - 19	132716-39130	5 - 7	433016-39131	6 - 23
104044-39130	1 - 31	132758-39131	5 - 6	433019-03933	6 - 32
104215-39131	1 - 21	145510-13931	2 - 17	433026-35430	6 - 27
123001-39135	2 - 10	145600-14931	2 - 16	433100-39631	6 - 1
123001-39135	7 -	145606-14931	2 - 20	433111-39631	6 - 7
123110-03930	7 - 4	145642-13930	2 - 21	433114-39130	6 - 6
123112-15030	7 - 6	145858-13931	2 - 18	433116-35430	6 - 18
123113-47530	7 - 25	145859-13930	2 - 19	433122-35430	6 - 19
123114-38830	7 - 31	150117-16430	3 - 8	433123-39130	6 - 17
123116-05230	7 - 24	156110-04920	3 - 9	433167-39130	6 - 9
123117-39530	7 - 26	156800-39233	3 - 12	433171-39630	6 - 36
123118-39231	7 - 16	159010-10230	3 - 7	433208-35431	6 - 21
123120-39231	7 - 28	159011-03432	3 - 6	433209-35430	6 - 20
123122-03660	7 - 10	159012-01620	3 - 5	433310-39130	6 - 11
123123-03930	7 - 13	162010-39131	3 - 41	433312-32630	6 - 4
123124-09320	7 - 3	162010-39431	3 - 4	436114-13930	1 - 24
123125-15030	7 - 5	163400-39130	3 - 40	436205-02832	5 - 26
123127-15030	7 - 21	163911-39130	1 - 23	437201-39131	5 - 27
123130-02960	7 - 27	175005-39133	6 - 15	437211-39133	5 - 29
123133-11130	7 - 18	175012-03930	1 - 10	437244-39130	5 - 28
123134-19730	7 - 17	175014-39131	6 - 13	890631-38230	1 - 35
123136-09660	7 - 30	177200-39433	3 - 21	895410-03930	6 - 45
123137-19830	7 - 9	177214-04630	3 - 23	895812-03930	6 - 44
123138-03930	7 - 11	177215-35632	3 - 24	900106-05016	1 - 30
123139-03930	7 - 12	177220-35430	3 - 27	900235-05012	5 - 23
123140-27230	7 - 7	177221-35631	3 - 26	900238-04010	4 - 22
123142-03930	7 - 14	177226-06530	3 - 25	900238-04016	4 - 31
123146-10631	7 - 15	177227-39131	3 - 29	900238-04020	6 - 37
123150-39230	7 - 22	177228-35431	3 - 28	900238-05014	4 - 7
123181-39130	5 - 5	177234-35430	3 - 15	900238-05022	3 - 11
123185-09660	7 - 20	177247-04630	3 - 17	900238-05025	1 - 2
123186-09660	7 - 19	177256-39130	3 - 30	900238-05035	4 - 8
125327-15130	5 - 31	178010-39131	4 - 14	900238-05045	2 - 5
129011-39130	2 - 6	178011-39131	4 - 15	900250-04008	2 - 23
129023-39131	1 - 28	178043-39131	4 - 13	900250-05018	2 - 12

Index

Patrs Number	Key No.	Patrs Number	Key No.	Patrs Number	Key No.
900253-04010	1 - 22	V471-000110	5 - 24		
900253-04010	6 - 5	V471-001200	5 - 10		
900253-04010	6 - 26	V490-001230	5 - 13		
900253-04012	6 - 12	V505-000011	1 - 5		
900253-04014	3 - 22	V555-000150	6 - 14		
900253-04014	4 - 19	V652-000021	1 - 4		
900253-04014	4 - 25	X122-000072	8 - 1A		
900253-05020	6 - 28	X123-000132	6 - 55		
900256-04016	1 - 32	X123-000132	8 - 1B		
900256-04016	3 - 33	X222-000130	8 - 2A		
900256-04016	4 - 11	X222-000140	8 - 3A		
900256-04016	4 - 30	X223-000080	8 - 2B		
900296-03014	3 - 31	X223-000130	8 - 3B		
900330-40088	6 - 22	X502-000340	6 - 33		
900330-40238	6 - 8	X502-000780	3 - 32		
900345-40020	4 - 10	X524-002130	1 - 33		
900345-40025	4 - 9	X698-000050	6 - 48		
900500-00004	6 - 38				
900515-00008	3 - 14				
900516-00005	4 - 27				
900562-50005	6 - 2				
900603-00005	3 - 18				
900700-00004	2 - 3				
900721-00025	5 - 16				
91318-05032	6 - 10				
94035-36201	1 - 6				
A056-000070	6 - 50				
A365-000050	5 - 17				
A411-000150	3 - 10				
A514-000001	3 - 16				
A551-000010	6 - 39				
A552-000020	6 - 54				
C022-000010	5 - 30				
P003-000010	7 - 29				
P003-001850	7 - 8				
P003-005040	7 - 2				
P021-000010	2 - 13				
P021-005810	6 - 52				
P021-007630	5 - 15				
P021-011013	1 - 3				
P021-041800	1 - 14				
P022-010640	5 - 34				
P022-010650	5 - 33				
P022-010660	5 - 32				
P022-010670	5 - 35				
P022-010680	5 - 37				
V203-000090	3 - 19				
V224-000031	1 - 20				
V451-000470	6 - 51				



YAMABIKO CORPORATION

7-2 SUEHIROCHO 1-CHOME, OHME, TOKYO 198-8760, JAPAN
PHONE: 81-428-32-6118. FAX: 81-428-32-6145.

ECHO®



12Jb
No. 05-064