



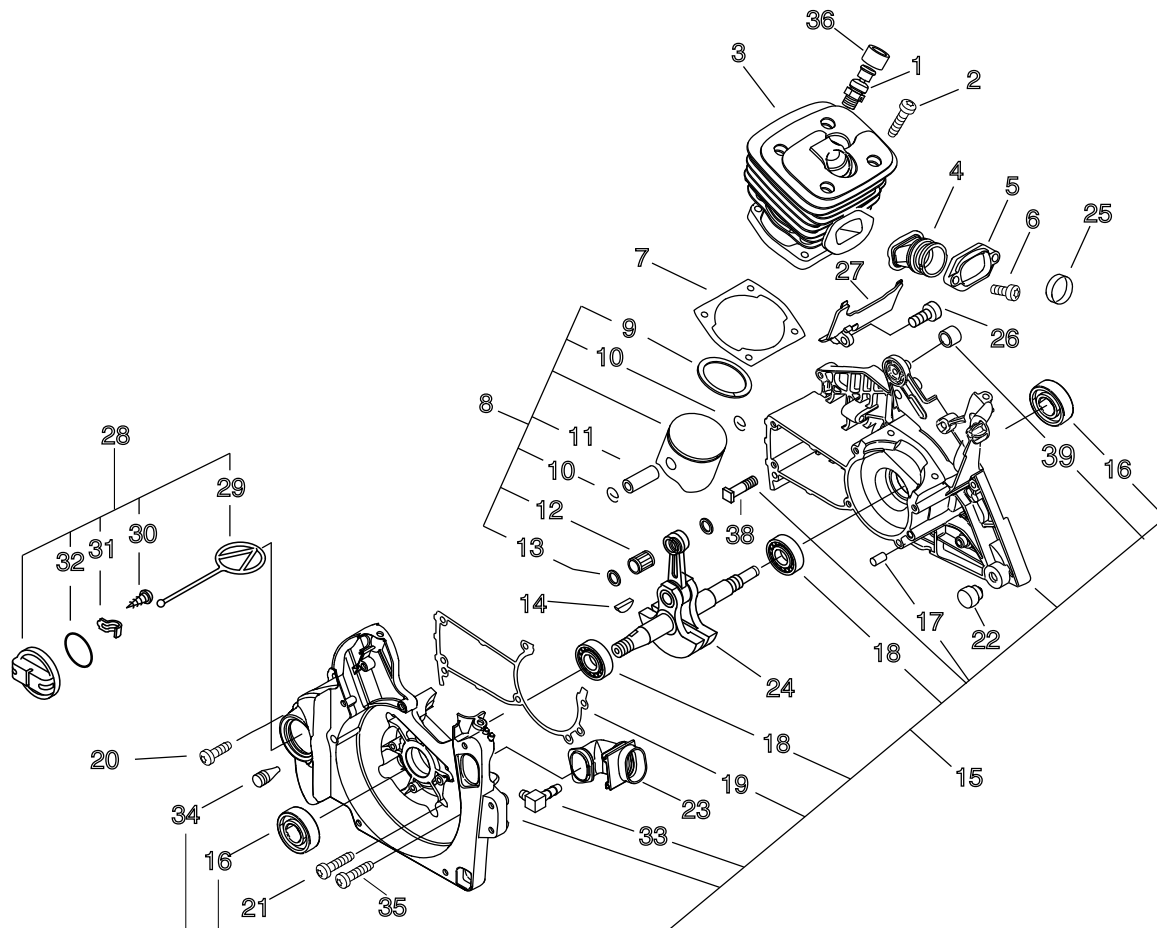
PARTS CATALOG

CHAIN SAW CS-600(36)

36007476 -

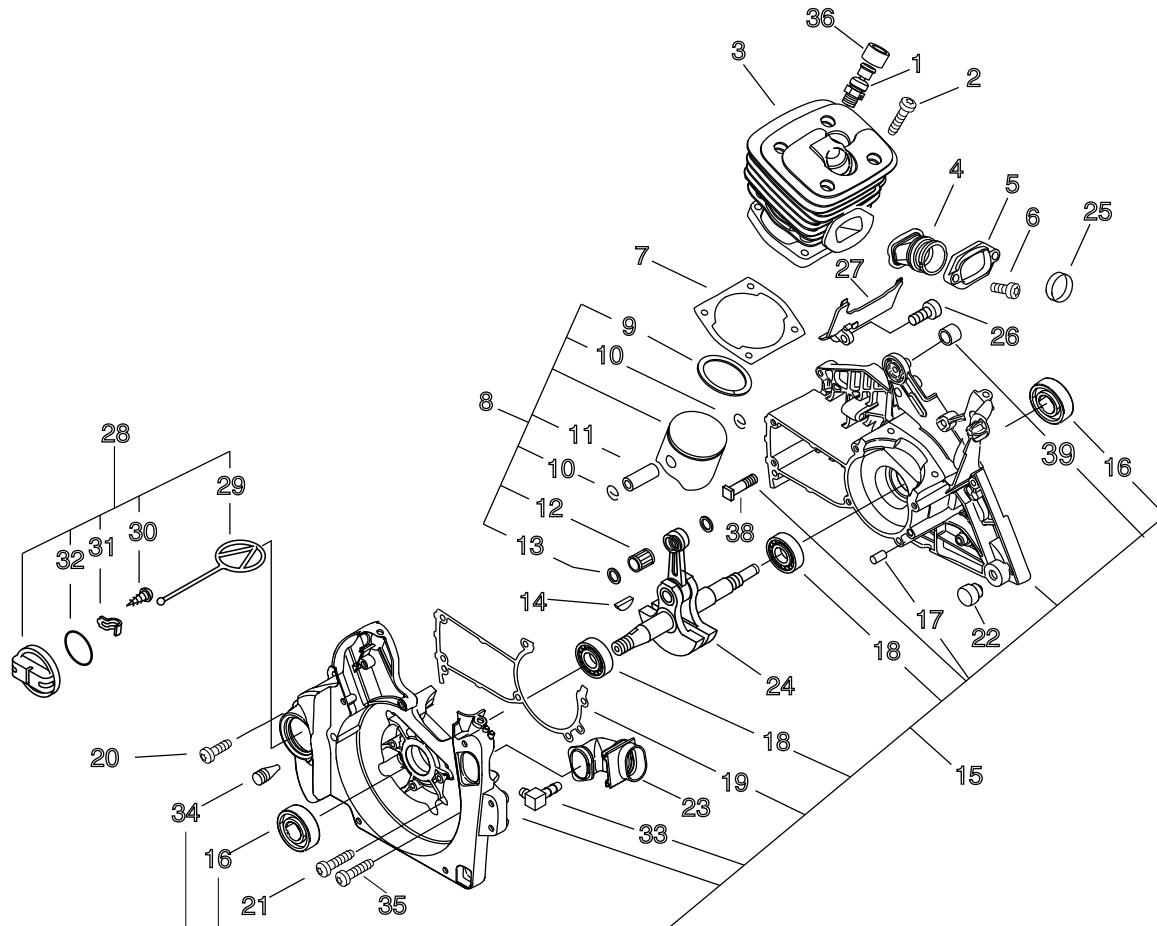
P014-000020-11Fb

1. CYLINDER, CRANKCASE, PISTON



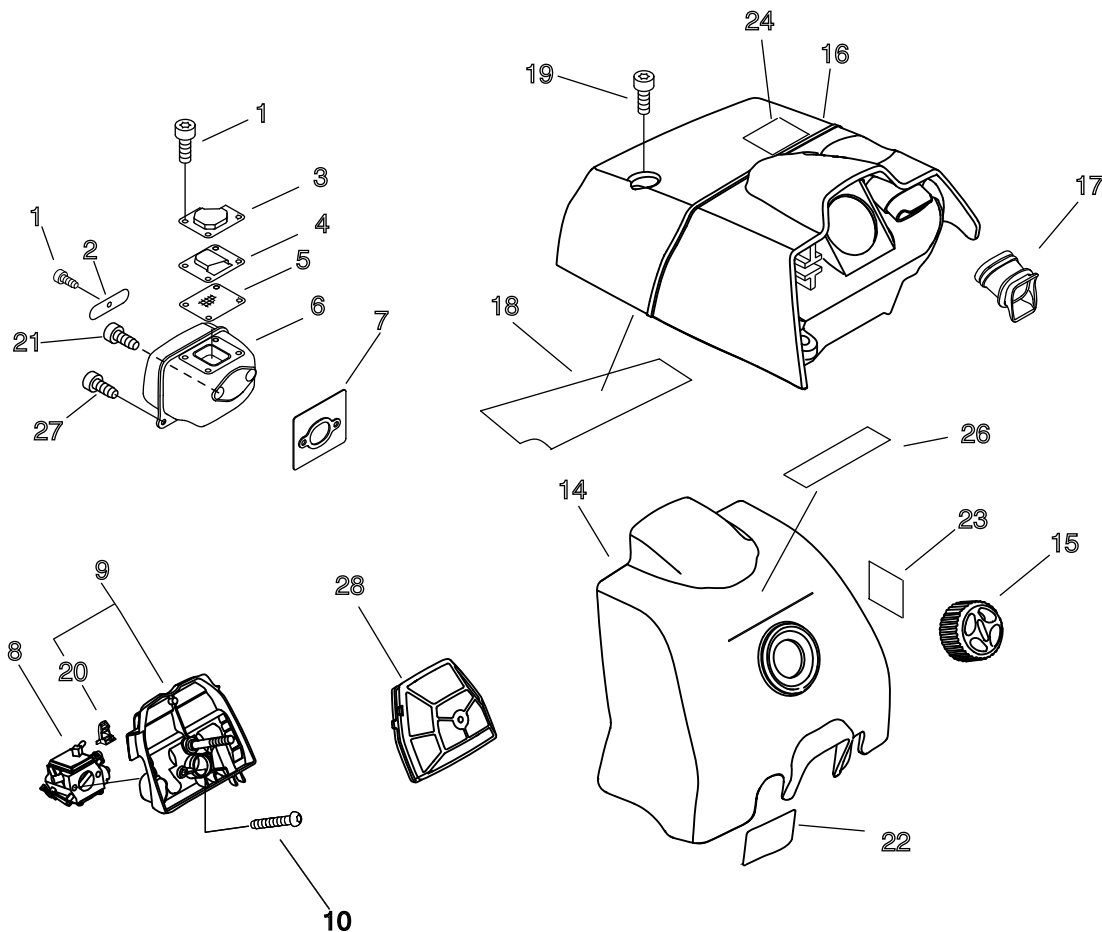
| KEY | LV | PART NUMBER | Q'TY | DESCRIPTION | REMARKS | NOTE1 | NOTE2 |
|-----|----|--------------|------|--------------------|-----------------|-------|-------|
| 1 | | A014-000040 | 1 | DECOMP,ASM | | | |
| 2 | | V805-000220 | 4 | BOLT, TORX 5 | TB-5*25 12.9 | | |
| 3 | | A130-000910 | 1 | CYLINDER | 45 4TW | | |
| 4 | | A202-000080 | 1 | BELLOWS, INTAKE | | | |
| 5 | | A206-000010 | 1 | HOLDER, BELLOWS | | | |
| 6 | | V805-000000 | 2 | BOLT, TORX 5 | TT-5*16 DG 10.9 | | |
| 7 | | V100-000270 | 1 | GASKET,CYL | | | |
| 8 | | P021-015190 | 1 | PISTON KIT | | | |
| 9 | + | A101-000210 | 1 | RING, PISTON | 45*1.5*1.9 | | |
| 10 | + | V580-000030 | 2 | RING,END | D 1.0 | | |
| 11 | + | V609-000010 | 1 | PIN,ENG 11 | 7*11*37.6 | | |
| 12 | + | V556-000000 | 1 | BEARING,NEEDLE 11 | KBK11*15*15.8X2 | | |
| 13 | + | V308-000040 | 2 | WASHER,CIRCULAR 11 | 11.2*19.5*0.5 | | |
| 14 | | 100142-30830 | 1 | KEY, WOODRUFF | | | |
| 15 | | P021-015133 | 1 | CRANK CASE SET | | | |
| 16 | + | V508-000010 | 2 | SEAL,OIL 15 | ISCD 15*25*7 | | |
| 17 | + | 100215-02830 | 2 | PIN, DOWEL | | | |
| 18 | + | V592-000000 | 2 | BEARING, BALL | 15*38*11 | | |
| 19 | + | V102-000060 | 1 | GASKET,CRANKCASE | T0.4 | | |
| 33 | + | 437239-14730 | 1 | NIPPLE | | | |
| 34 | + | 436114-13930 | 1 | VALVE, CHECK | | | |
| 38 | + | V205-000400 | 2 | BOLT,8 | 11.5 | | |
| 39 | + | V356-000470 | 1 | COLLAR,10 | 12*10*T1.0 | | |

1. CYLINDER, CRANKCASE, PISTON



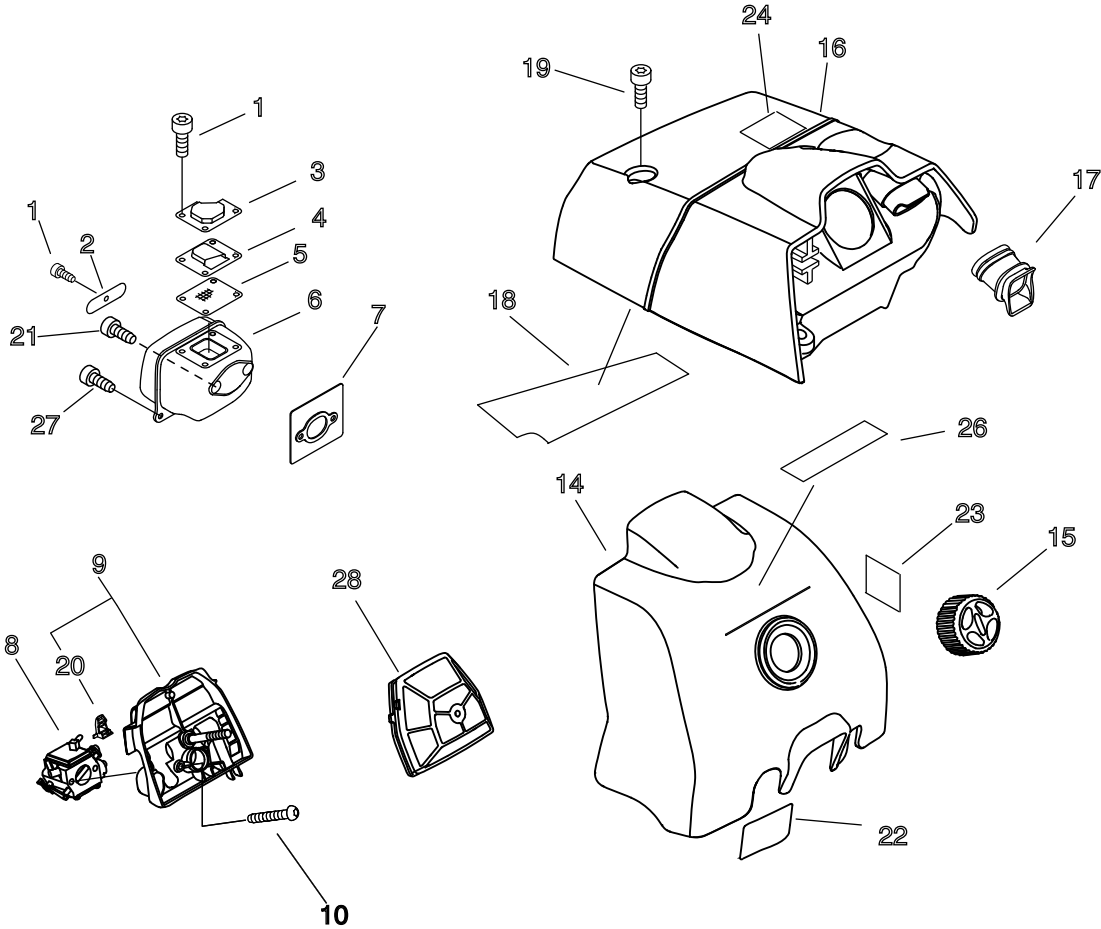
| KEY | LV | PART NUMBER | Q'TY | DESCRIPTION | REMARKS | NOTE1 | NOTE2 |
|-----|----|--------------|------|----------------|-----------------|-------|-------|
| 20 | | V805-000010 | 2 | BOLT, TORX 5 | TT-5*20 DG 10.9 | | |
| 21 | | V805-000020 | 4 | BOLT, TORX 5 | TT-5*35 DG 10.9 | | |
| 22 | | V420-001790 | 2 | CUSHION | | | |
| 23 | | A239-000060 | 1 | PIPE, INTAKE | | | |
| 24 | | A011-000540 | 1 | CRANKSHAFT,ASY | | | |
| 25 | | V360-000060 | 1 | COLLAR,18 | | | |
| 26 | | V805-000000 | 1 | BOLT, TORX 5 | TT-5*16 DG 10.9 | | |
| 27 | | E106-000020 | 1 | GUIDE,AIR | | | |
| 28 | | P021-016031 | 1 | CAP, OIL | | | |
| 29 | + | 131051-19830 | 1 | LINK | 60L | | |
| 30 | + | 900246-03008 | 1 | SCREW 3*8 | 3*8 | | |
| 31 | + | 131050-19830 | 1 | RETAINER, LINK | | | |
| 32 | + | 900720-00028 | 1 | O-RING 28 | P-28 | | |
| 35 | | V805-000170 | 1 | BOLT, TORX 5 | TB-5*25 10.9 | | |
| 36 | | V141-000090 | 1 | GROMMET,PLUG | | | |
| 37 | | 132115-01461 | 1 | GROMMET | | | |

2. AIR CLEANER, CARBURETOR



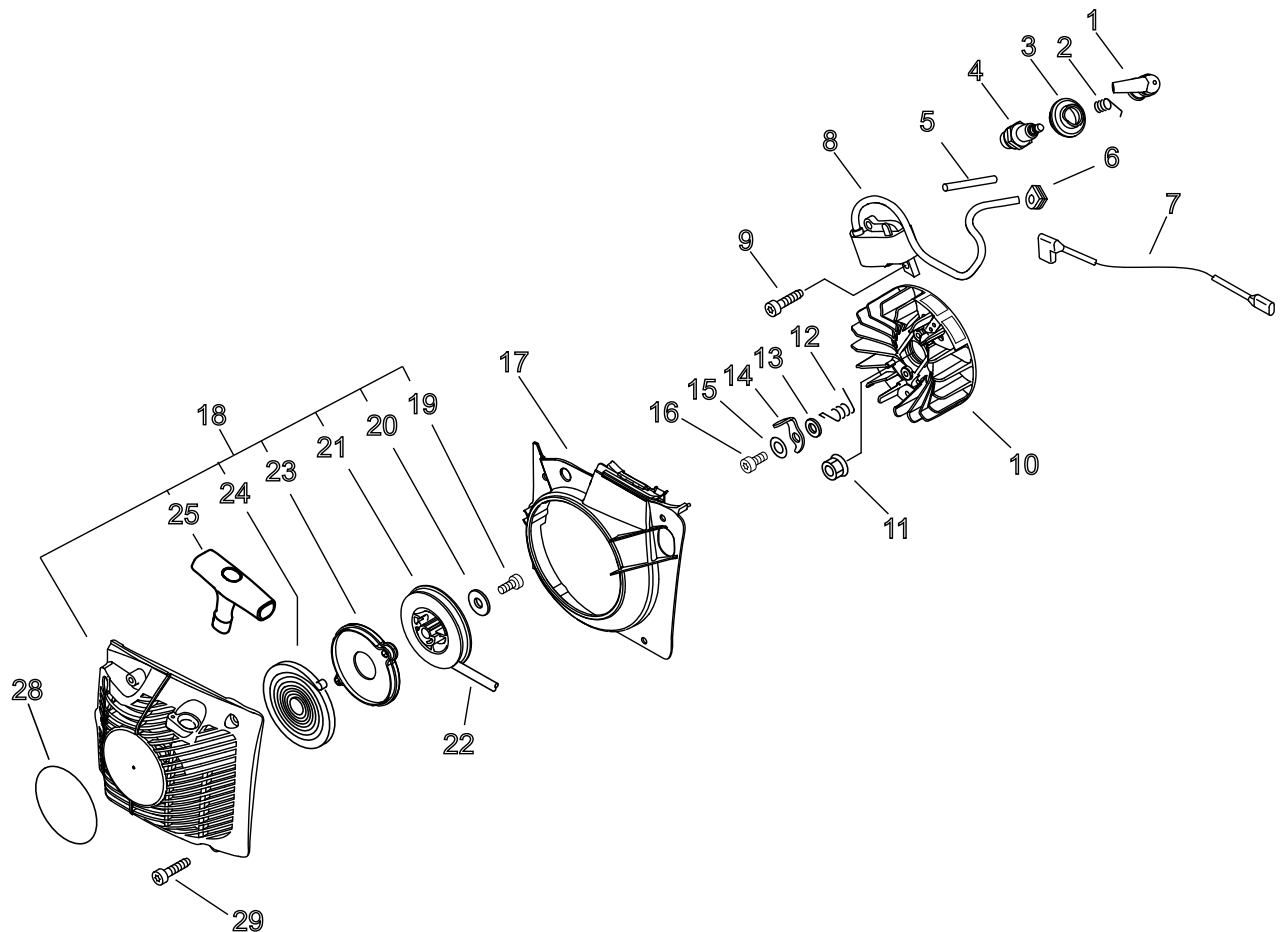
| KEY | LV | PART NUMBER | Q'TY | DESCRIPTION | REMARKS | NOTE1 | NOTE2 |
|-----|----|--------------|------|-----------------------|-----------------|-------|-------|
| 1 | | V804-000030 | 5 | BOLT, TORX 4 | TB-4*8 10.9 | | |
| 2 | | A301-000030 | 1 | PLATE, MUFFLER | T0.5 | | |
| 3 | | A313-001050 | 1 | GUIDE, EXHAUST | | | |
| 4 | | A313-001041 | 1 | GUIDE, EXHAUST | | | |
| 5 | | A310-000100 | 1 | SCREEN, ARRESTOR | | | |
| 6 | | A300-001570 | 1 | MUFFLER, EXHAUST | | | |
| 7 | | V104-000910 | 1 | GASKET, EXHAUST | T1.6 | | |
| 8 | | A021-001660 | 1 | CARBURETOR, DIAPHRAGM | HDA-268 | | |
| 9 | | P021-016020 | 1 | CASE, CLEANER | | | |
| 20 | + | A219-000000 | 1 | SHUTTER, AIR | | | |
| 10 | | V805-000030 | 2 | BOLT, TORX 5 | TT-5*50 DG 10.9 | | |
| 12 | | A244-000080 | 1 | PLATE, PREVENT | | | |
| 14 | | A232-000471 | 1 | LID, CLEANER | | | |
| 15 | | A235-000190 | 1 | KNOB, CLEANER LID | | | |
| 16 | | A160-001080 | 1 | COVER, CYLINDER | | | |
| 17 | | A239-000070 | 1 | PIPE, INTAKE | | | |
| 18 | | V341-000140 | 1 | WASHER, SQUARE | 75*32*0.15 | | |
| 19 | | V805-000000 | 3 | BOLT, TORX 5 | TT-5*16 DG 10.9 | | |
| 21 | | V805-000210 | 2 | BOLT, TORX 5 | TB-5*20 12.9 | | |
| 22 | | 890157-39130 | 1 | LABEL, SWITCH | | | |
| 23 | | 890631-38130 | 1 | LABEL, CAUTION | | | |
| 24 | | 890345-39230 | 1 | LABEL, CAUTION | | | |
| 26 | | X503-009510 | 1 | LABEL, MODEL | CS-600 | | |
| 27 | | V855-000000 | 2 | BOLT, TORX 5 | TB-5*20 | | |

2. AIR CLEANER, CARBURETOR



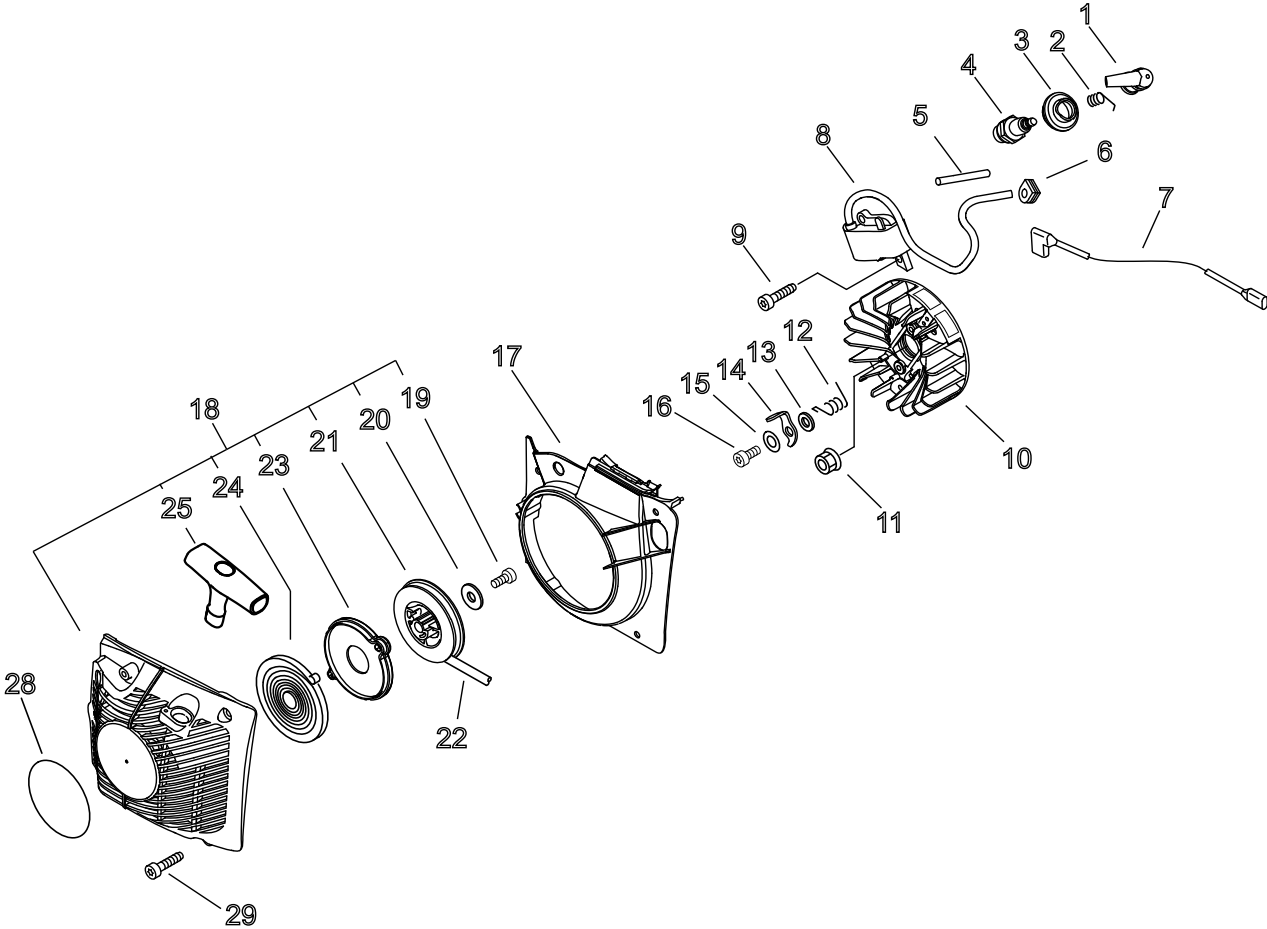
| KEY | LV | PART NUMBER | Q'TY | DESCRIPTION | REMARKS | NOTE1 | NOTE2 |
|-----|----|-------------|------|--------------------|---------|-------|-------|
| 28 | | P021-016370 | 1 | ELEMENT,AIR FILTER | | | |

3. RECOIL STARTER, MAGNETO



| KEY | LV | PART NUMBER | Q'TY | DESCRIPTION | REMARKS | NOTE1 | NOTE2 |
|-----|----|--------------|------|---------------------|-----------------|-------|-------|
| 1 | | A427-000013 | 1 | CAP, SPARK PLUG | | | |
| 2 | | A426-000010 | 1 | TERMINAL, SPARKPLUG | | | |
| 3 | | A429-000040 | 1 | COVER, CAP | | | |
| 4 | | A425-000000 | 1 | SPARKPLUG | BPMR8Y | | |
| 5 | | V475-004130 | 1 | TUBE | | | |
| 6 | | 156110-04920 | 1 | BUSHING | | | |
| 7 | | V485-001091 | 1 | LEAD | AVX0.75F | | |
| 9 | | V805-000000 | 2 | BOLT, TORX 5 | TT-5*16 DG 10.9 | | |
| 10 | | A409-000360 | 1 | ROTOR, MAGNETO | | | |
| 8 | | A411-000450 | 1 | COIL, IGNITION | | | |
| 11 | | 900515-00008 | 1 | NUT, FLANGE 8 | 8 | | |
| 12 | | 177234-35430 | 2 | SPRING, RETURN | | | |
| 13 | | 177247-04630 | 2 | SPACER, RATCHET | 5.2*8*2.1 | | |
| 14 | | 177218-19830 | 2 | PAWL, STARTER | | | |
| 15 | | 900603-00005 | 2 | WASHER 5 | 5.5*12*0.8 | | |
| 16 | | V835-000000 | 2 | BOLT, TORX 5 | | | |
| 17 | | A172-000842 | 1 | COVER, FAN | | | |
| 18 | | P021-015163 | 1 | STARTER ASY | | | |
| 19 | + | V805-000130 | 1 | BOLT, TORX 5 | TB-5*10 10.9 | | |
| 20 | + | 177214-02830 | 1 | WASHER | 5.2*16*1.0T | | |
| 21 | + | A506-000110 | 1 | REEL, ROPE | | | |
| 22 | + | 177226-07060 | 1 | ROPE, STARTER | 4.0*950 | | |
| 23 | + | A503-000030 | 1 | PLATE, STARTER | | | |
| 24 | + | 177220-35430 | 1 | SPRING, REWIND | | | |
| 25 | + | A511-000071 | 1 | GRIP, STARTER | | | |

3. RECOIL STARTER, MAGNETO

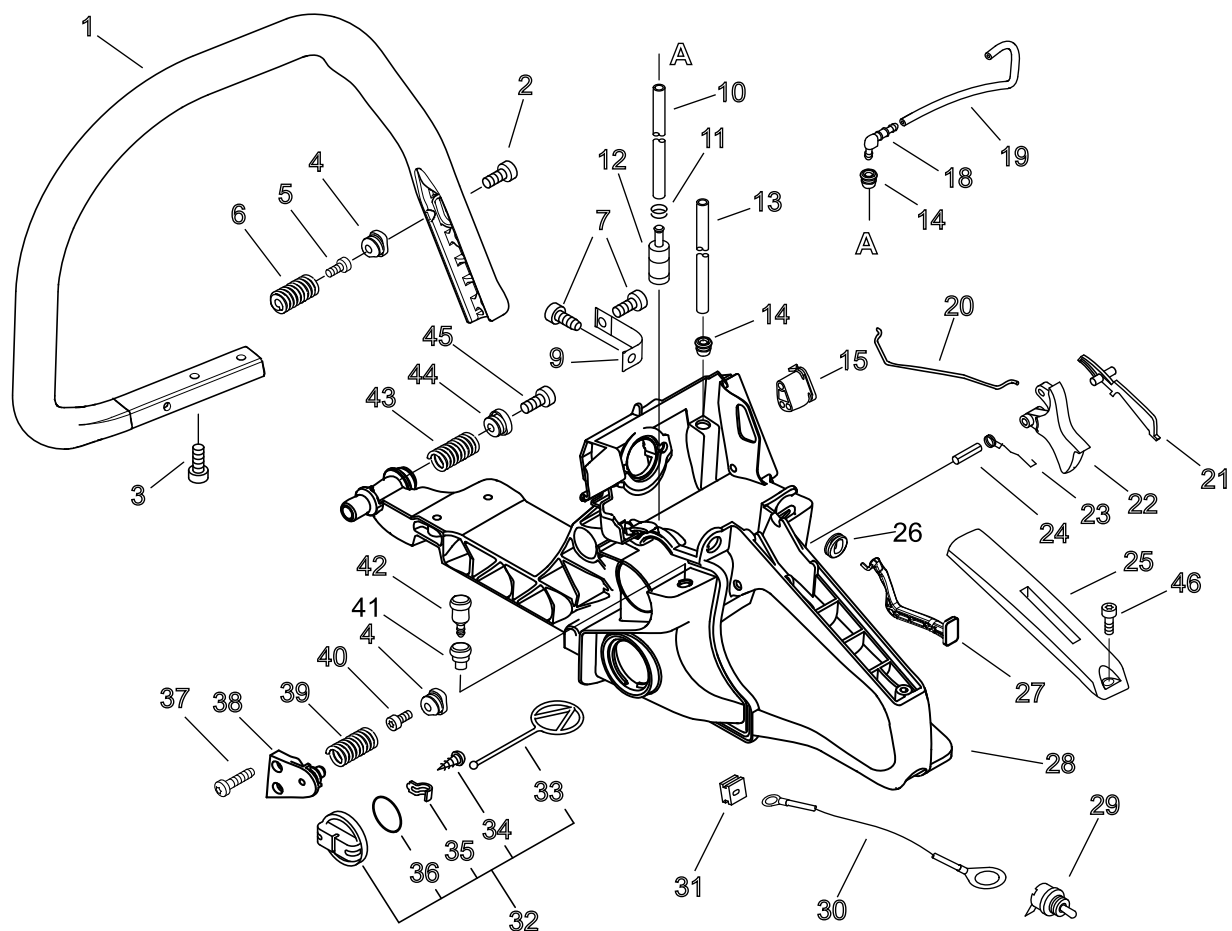


| KEY | LV | PART NUMBER | Q'TY | DESCRIPTION | REMARKS | NOTE1 | NOTE2 |
|-----|----|-------------|------|-------------|---------|-------|-------|
|-----|----|-------------|------|-------------|---------|-------|-------|

| | | | | | | | |
|----|--|-------------|---|------------|--|--|--|
| 28 | | X502-000460 | 1 | LABEL,ECHO | | | |
|----|--|-------------|---|------------|--|--|--|

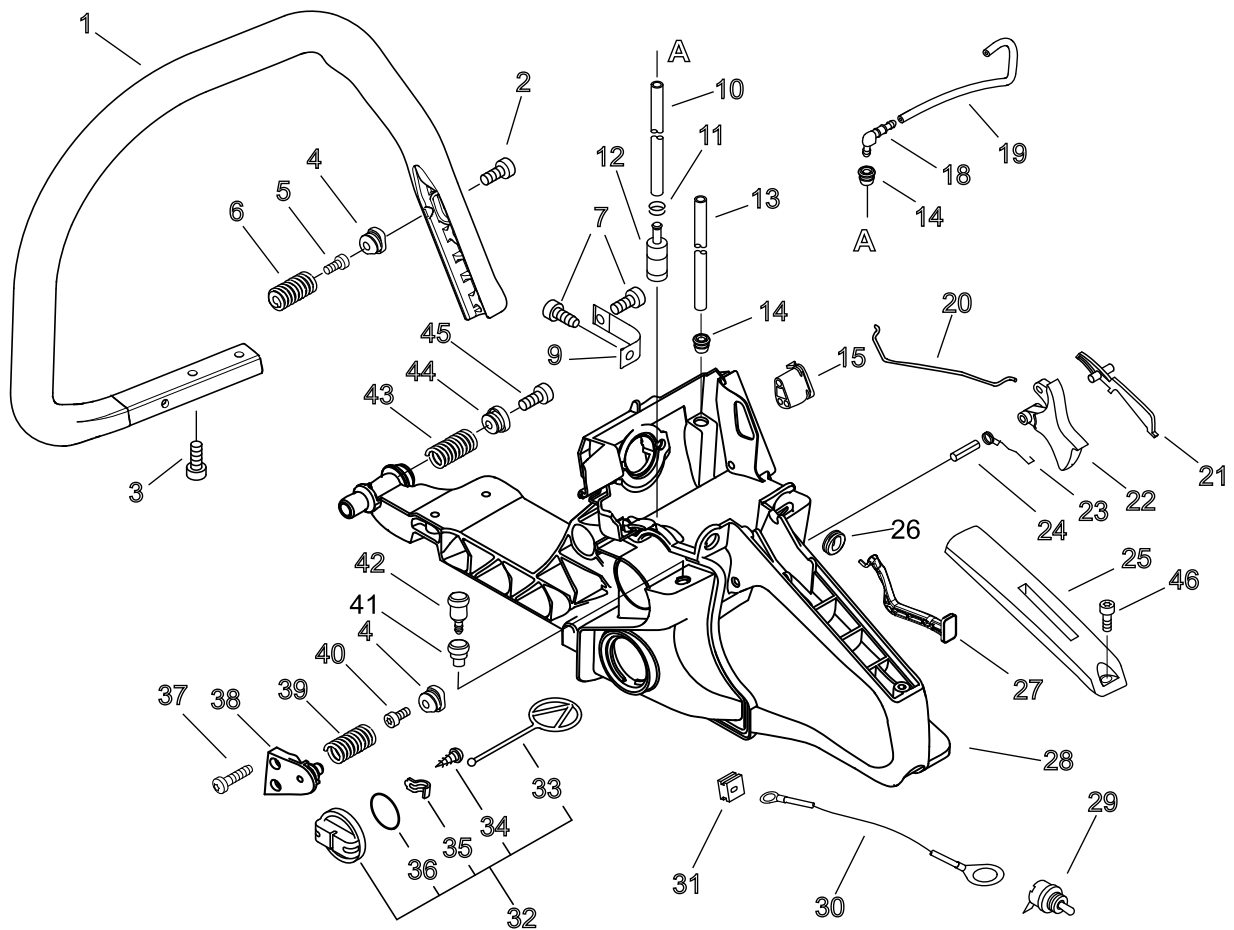
| | | | | | | | |
|----|--|-------------|---|--------------|-----------------|--|--|
| 29 | | V805-000010 | 4 | BOLT, TORX 5 | TT-5*20 DG 10.9 | | |
|----|--|-------------|---|--------------|-----------------|--|--|

4. HANDLE



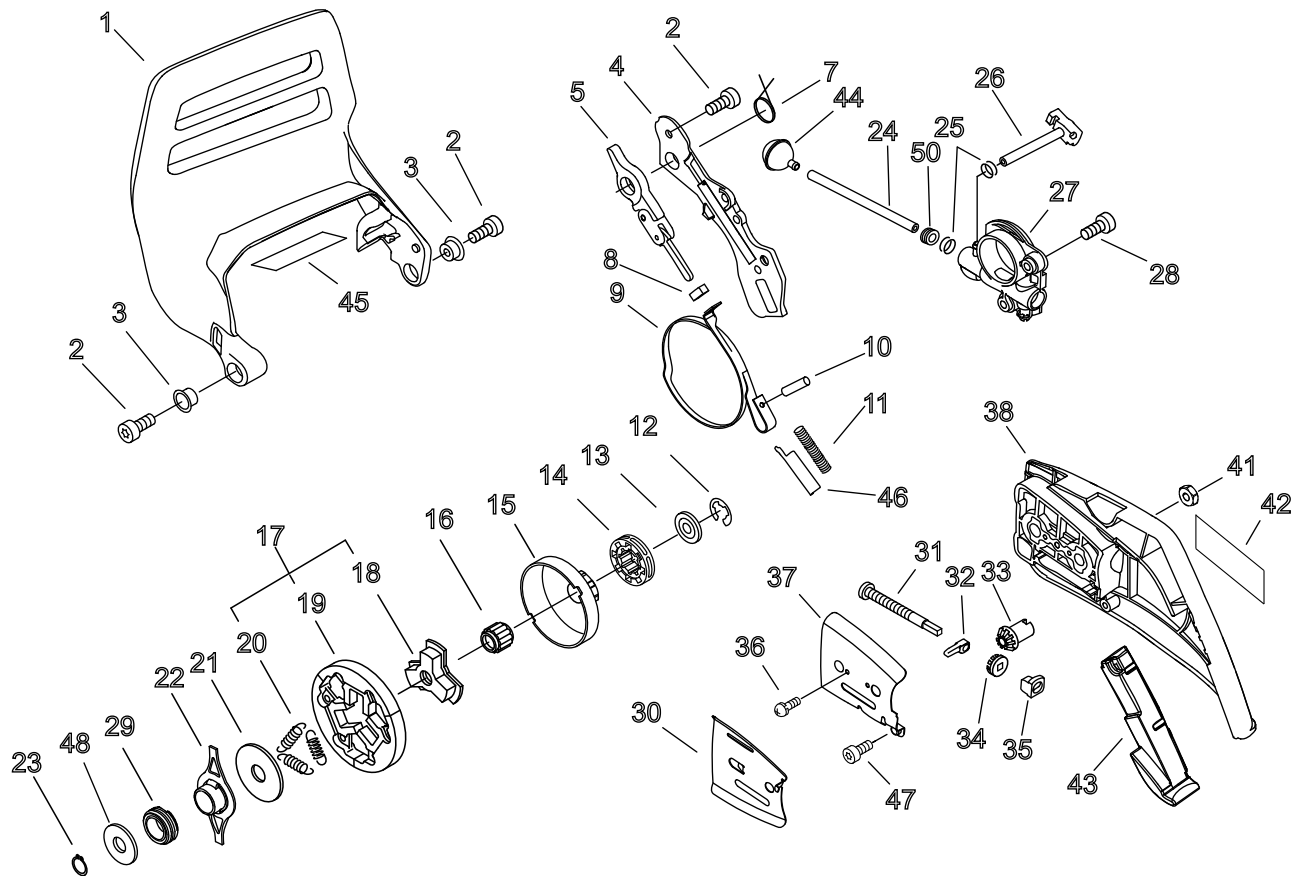
| KEY | LV | PART NUMBER | Q'TY | DESCRIPTION | REMARKS | NOTE1 | NOTE2 |
|-----|----|--------------|------|---------------------|-----------------|-------|-------|
| 1 | | C400-000550 | 1 | HANDLE, FRONT | | | |
| 2 | | V806-000000 | 1 | BOLT, TORX 6 | TT-6*20 DG 10.9 | | |
| 3 | | V805-000010 | 4 | BOLT, TORX 5 | TT-5*20 DG 10.9 | | |
| 4 | | V456-000080 | 2 | HOLDER, SPRING | 14.4 | | |
| 5 | | V805-000000 | 1 | BOLT, TORX 5 | TT-5*16 DG 10.9 | | |
| 6 | | V450-000730 | 1 | SPRING, COMPRESSION | 17*38.4 | | |
| 7 | | V805-000000 | 2 | BOLT, TORX 5 | TT-5*16 DG 10.9 | | |
| 9 | | C617-000361 | 1 | STOPPER | | | |
| 10 | | V471-000600 | 1 | PIPE | 3*5*120 | | |
| 11 | | 132013-09820 | 1 | CLIP | 6MM | | |
| 12 | | 131205-19831 | 1 | STRAINER, FUEL | | | |
| 13 | | 130110-30830 | 1 | PIPE, IMPULSE | | | |
| 14 | | 132115-01461 | 2 | GROMMET | | | |
| 15 | | V131-000020 | 1 | GROMMET, NEEDLE | | | |
| 18 | | V186-000080 | 1 | JOINT, PIPE | | | |
| 19 | | 130110-14530 | 1 | PIPE, IMPULSE | 3*6*135L | | |
| 20 | | C454-000170 | 1 | ROD, THROTTLE | | | |
| 21 | | 178090-37930 | 1 | LOCKOUT, T. CONTROL | | | |
| 22 | | C450-000360 | 1 | CONTROL, THROTTLE | | | |
| 23 | | V452-000260 | 1 | SPRING, TORSION | | | |
| 24 | | 900345-40025 | 1 | PIN, SPRING 4*25SUS | 4*25SUS | | |
| 25 | | C411-000001 | 1 | LID, HANDLE | | | |

4. HANDLE



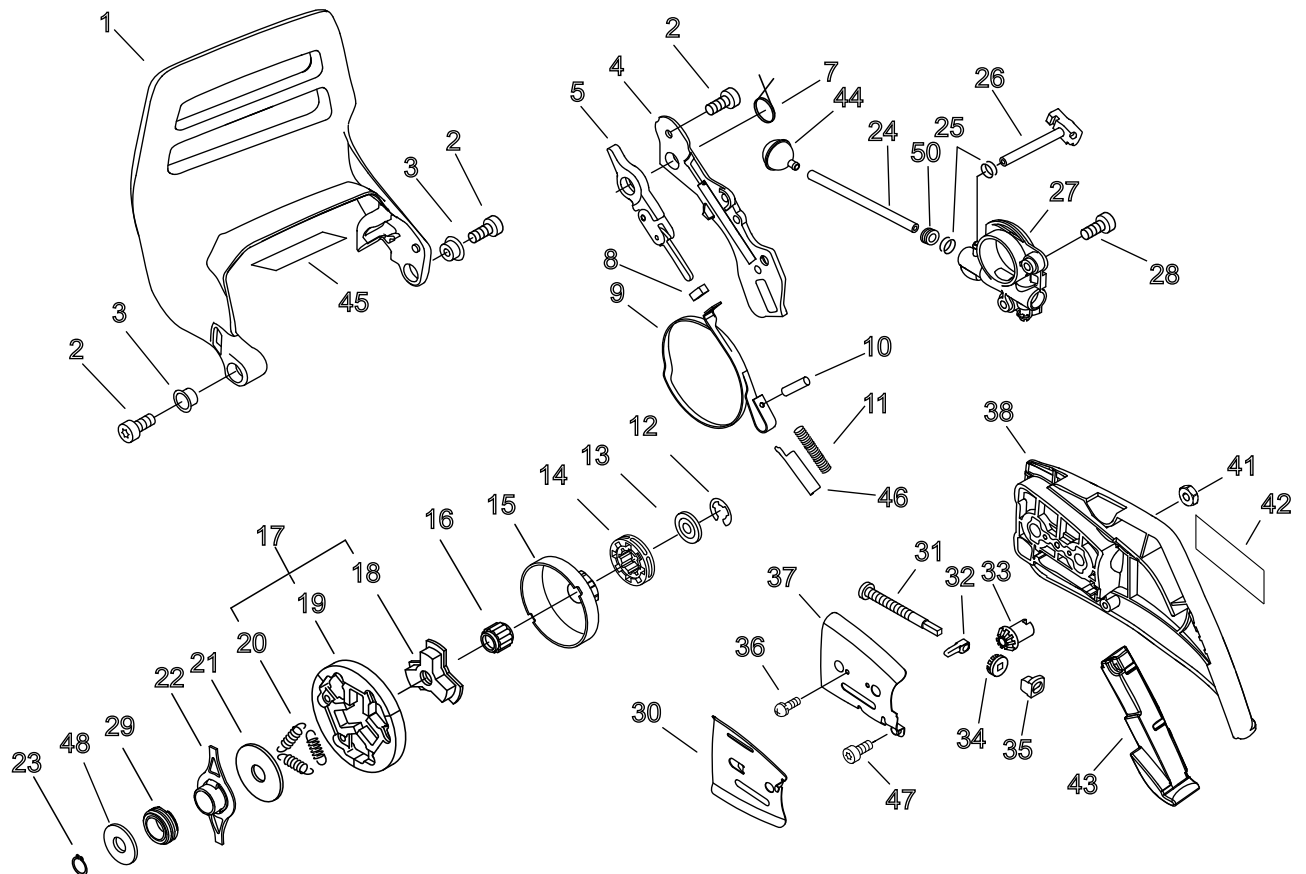
| KEY | LV | PART NUMBER | Q'TY | DESCRIPTION | REMARKS | NOTE1 | NOTE2 |
|-----|----|--------------|------|---------------------|-----------------|-------|-------|
| 26 | | V130-000030 | 1 | GROMMET,CHOKE | | | |
| 27 | | A241-000170 | 1 | KNOB, CHOKE | | | |
| 28 | | C410-000463 | 1 | HANDLE, REAR | | | |
| 29 | | A440-001190 | 1 | SWITCH, ON OFF | | | |
| 30 | | V485-001101 | 1 | LEAD | L:170/LA105 | | |
| 31 | | 150114-04920 | 1 | BUSHING | | | |
| 32 | | P021-016041 | 1 | CAP,FUER ASSY | | | |
| 33 | + | 131051-19830 | 1 | LINK | 60L | | |
| 34 | + | 900246-03008 | 1 | SCREW 3*8 | 3*8 | | |
| 35 | + | 131050-19830 | 1 | RETAINER, LINK | | | |
| 36 | + | 900720-20029 | 1 | O-RING 29 | P-29 | | |
| 37 | | V805-000010 | 2 | BOLT, TORX 5 | TT-5*20 DG 10.9 | | |
| 38 | | V456-000090 | 1 | HOLDER,SPRING | | | |
| 39 | | V450-000760 | 1 | SPRING,COMPRESSION | 17*36.7*2.6 | | |
| 40 | | V805-000230 | 1 | BOLT, TORX 5 | TT-5*25 DG 10.9 | | |
| 41 | | A359-000000 | 1 | COVER,VENT | 22.5*D18*D8.5 | | |
| 42 | | 131300-56431 | 1 | VENT ASSEMBLY, FUEL | | | |
| 43 | | V450-000770 | 1 | SPRING,COMPRESSION | 20*40*3.3 | | |
| 44 | | V456-000101 | 1 | HOLDER,SPRING | | | |
| 45 | | V806-000000 | 1 | BOLT, TORX 6 | TT-6*20 DG 10.9 | | |
| 46 | | V804-000000 | 1 | BOLT, TORX 4 | TT-4*12 DG 10.9 | | |

5. CLUTCH, SPROCKET



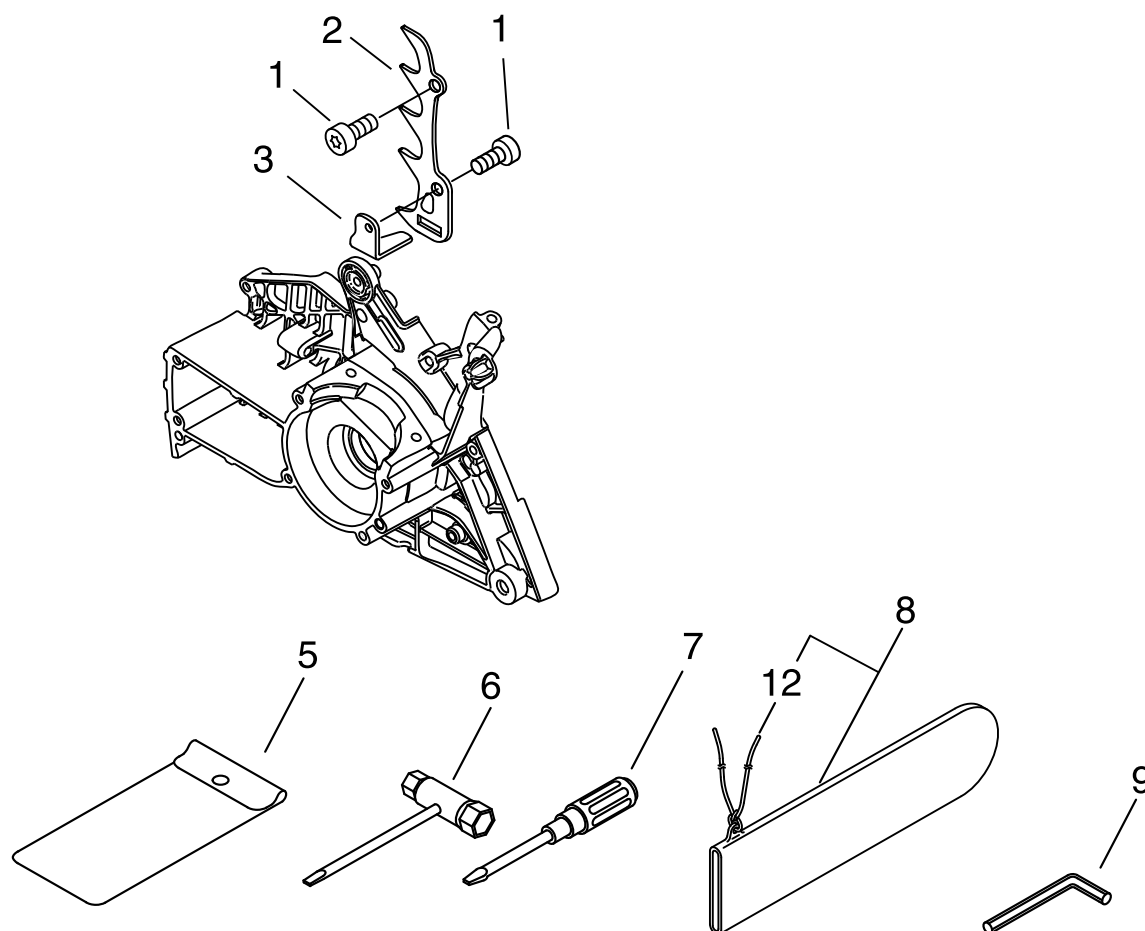
| KEY | LV | PART NUMBER | Q'TY | DESCRIPTION | REMARKS | NOTE1 | NOTE2 |
|-----|----|--------------|------|----------------------|------------------|-------|-------|
| 1 | | C320-000180 | 1 | LEVER, BRAKE | | | |
| 2 | | V805-000000 | 5 | BOLT, TORX 5 | TT-5*16 DG 10.9 | | |
| 3 | | V356-000440 | 2 | COLLAR,10 | 11.2*16.2*T0.6 | | |
| 4 | | C345-000282 | 1 | COVER,BRAKE | | | |
| 5 | | C334-000110 | 1 | CONNECTOR, BRAKE | | | |
| 7 | | V452-000400 | 1 | SPRING,TORSION | | | |
| 8 | | V376-000450 | 1 | SPACER | | | |
| 9 | | C328-000121 | 1 | BAND, BRAKE | | | |
| 10 | | 93050-30080 | 1 | ROLLER | | | |
| 11 | | V450-000740 | 1 | SPRING,COMPRESSION | 12*70.5 | | |
| 12 | | V583-000130 | 1 | RING | 8 T1.2 | | |
| 13 | | V307-000180 | 1 | WASHER,CIRCULAR 10 | 10*28.5*3.5(0.8) | | |
| 14 | | 175033-14731 | 1 | SPROCKET, RIM 68210S | | | |
| 15 | | A556-000550 | 1 | DRUM, CLUTCH | | | |
| 16 | | V555-000160 | 1 | BEARING,NEEDLE 10 | | | |
| 17 | | A056-000220 | 1 | CLUTCH ASY | VA | | |
| 18 | + | A552-000110 | 1 | HUB, CLUTCH | | | |
| 19 | + | P021-007050 | 1 | CLUTCH SHOE SET | | | |
| 20 | + | V451-000500 | 3 | SPRING,TENSION | | | |
| 21 | | A551-000110 | 1 | PLATE, CLUTCH | 12*36*2 | | |
| 22 | | V358-000090 | 1 | COLLAR,14 | | | |
| 23 | | 900701-00015 | 1 | CIRCLIP 15 | CS-15 | | |
| 24 | | 437210-30830 | 1 | PIPE, OIL | NBR 3*6*210L | | |

5. CLUTCH, SPROCKET



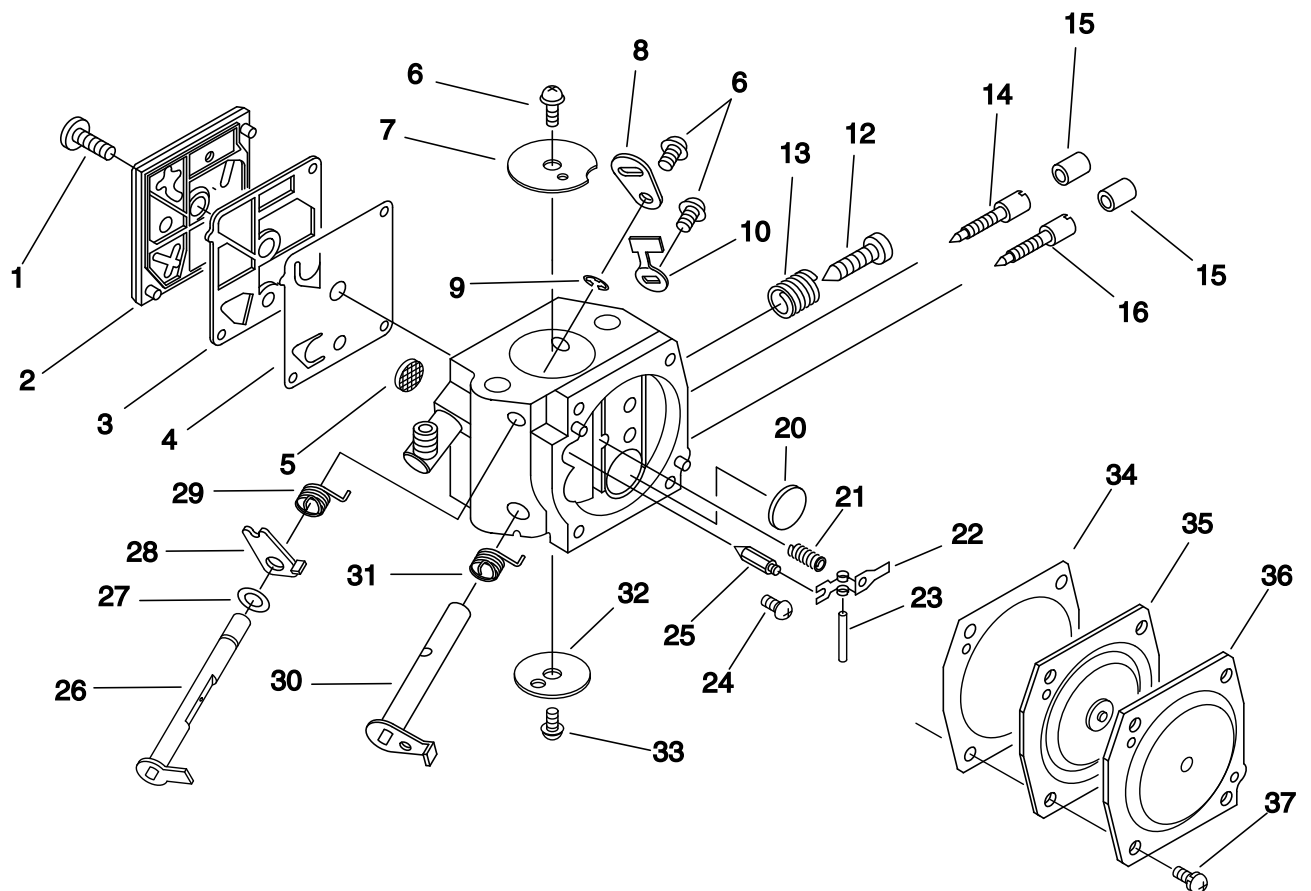
| KEY | LV | PART NUMBER | Q'TY | DESCRIPTION | REMARKS | NOTE1 | NOTE2 |
|-----|----|--------------|------|-----------------------|-----------------|-------|-------|
| 25 | | 132013-09820 | 2 | CLIP | 6MM | | |
| 26 | | V470-000830 | 1 | PIPE | | | |
| 27 | | C022-000051 | 1 | AUTO-OILER ASSEMBLY | | | |
| 28 | | V804-000000 | 2 | BOLT, TORX 4 | TT-4*12 DG 10.9 | | |
| 29 | | V652-000050 | 1 | GEAR, WORM | | | |
| 30 | | C305-000110 | 1 | PLATE, SPROCKET GUARD | | | |
| 31 | | V203-000110 | 1 | BOLT, 5 | | | |
| 32 | | C309-000160 | 1 | TENSIONER, CHAIN | | | |
| 33 | | V651-000001 | 1 | GEAR, BEVEL | | | |
| 34 | | V651-000011 | 1 | GEAR, BEVEL | | | |
| 35 | | V355-000270 | 1 | COLLAR, 8 | | | |
| 36 | | 900241-03006 | 1 | SCREW 3*6 | 3*6 | | |
| 37 | | C305-000100 | 1 | PLATE, SPROCKET GUARD | | | |
| 38 | | C300-000410 | 1 | GUARD, SPROCKET | | | |
| 41 | | V265-000250 | 2 | NUT | | | |
| 42 | | X502-000340 | 1 | LABEL, ECHO | ECHO(WHITE) | | |
| 43 | | C302-000010 | 1 | PAD, GUARD | | | |
| 44 | | 436205-14730 | 1 | STRAINER, OIL | | | |
| 45 | | V341-000130 | 1 | WASHER, SQUARE | 75*27*0.15 | | |
| 46 | | C603-000220 | 1 | PLATE, SIDE | T0.3 | | |
| 47 | | V804-000000 | 1 | BOLT, TORX 4 | TT-4*12 DG 10.9 | | |
| 48 | | V311-000090 | 1 | WASHER, CIRCULAR 16-1 | 15.5*22.5*0.5 | | |

6. TOOLS



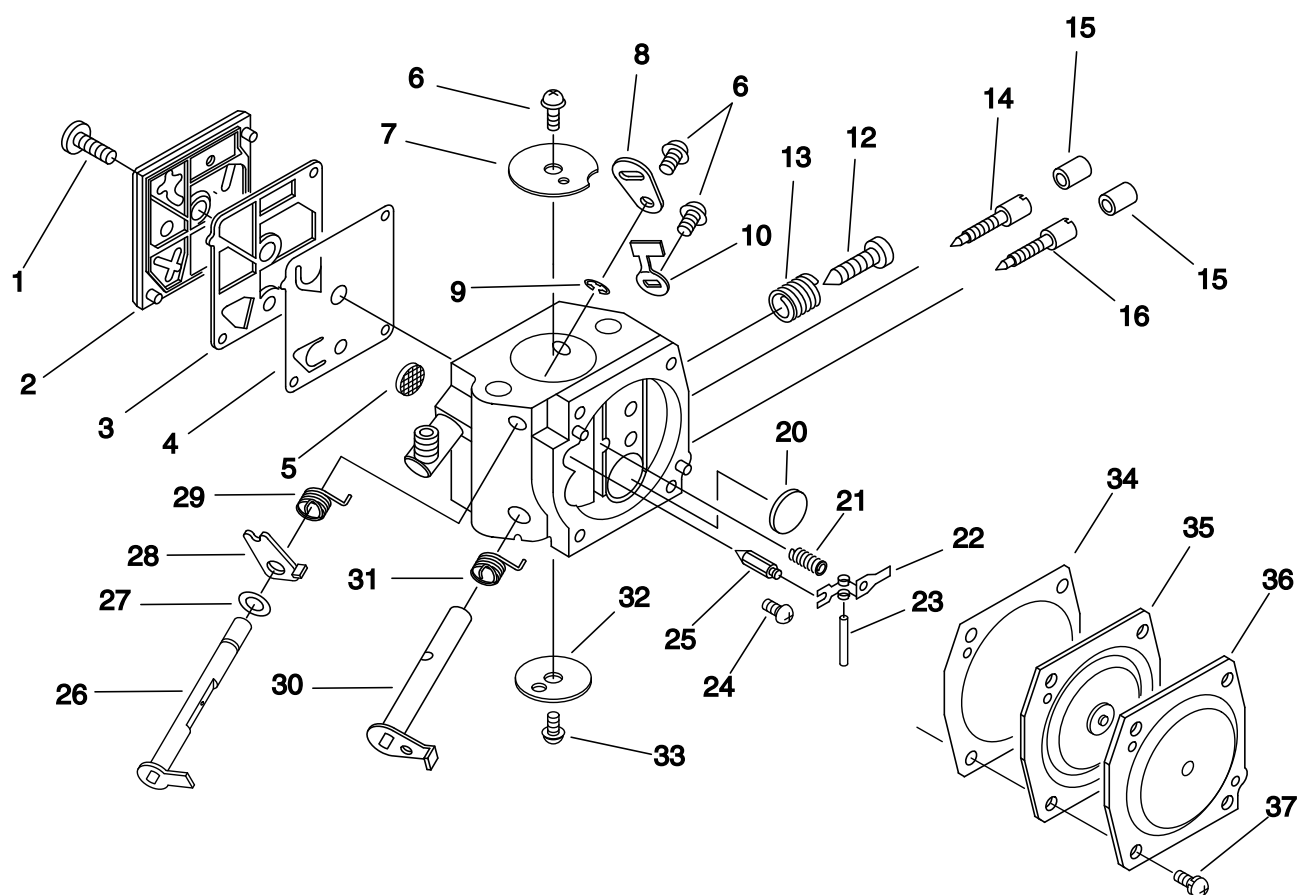
| KEY | LV | PART NUMBER | Q'TY | DESCRIPTION | REMARKS | NOTE1 | NOTE2 |
|-----|----|--------------|------|------------------|-----------------|-------|-------|
| 1 | | V805-000000 | 2 | BOLT, TORX 5 | TT-5*16 DG 10.9 | | |
| 2 | | C304-000180 | 1 | SPIKED | | | |
| 3 | | C310-000010 | 1 | CATCHER, CHAIN | | | |
| 6 | | X602-000080 | 1 | TOOL, WRENCH | 13*19 L180 | | |
| 7 | | 895812-03930 | 1 | DRIVER, SCREW 50 | | | |
| 8 | | P021-014290 | 1 | SCABBARD, CHAIN | | | |
| 12 | + | 898568-14530 | 1 | ROPE | 5*900 | | |
| 9 | | X605-000050 | 1 | TOOL, L WRENCH | | | |

7. CARBURETOR



| KEY | LV | PART NUMBER | Q'TY | DESCRIPTION | REMARKS | NOTE1 | NOTE2 |
|-----|----|--------------|------|----------------------|---------|-------|-------|
| | | A021-001660 | 1 | CARBURETOR,DIAPHRAGM | HDA-268 | | |
| 1 | + | 123110-16130 | 1 | SCREW, PUMP COVER | | | |
| 2 | + | 123124-19830 | 1 | COVER, FUEL PUMP | | | |
| 3 | + | 123125-12330 | 1 | GASKET, FUEL PUMP | | | |
| 4 | + | 123112-12330 | 1 | DIAPHRAGM, FUEL PUMP | | | |
| 5 | + | 123126-10631 | 1 | SCREEN, INLET | | | |
| 6 | + | 123114-38830 | 3 | SCREW | | | |
| 7 | + | 123116-16130 | 1 | VALVE, THROTTLE | | | |
| 8 | + | P003-002300 | 1 | LEVER, CHOKE | | | |
| 9 | + | 123127-15030 | 1 | RING | | | |
| 10 | + | 123156-30830 | 1 | STOP, THROTTLE | | | |
| 12 | + | 123134-04260 | 1 | SCREW, IDLE ADJUST | | | |
| 13 | + | 123133-04260 | 1 | SPRING, IDLE ADJUST | | | |
| 14 | + | 123120-32631 | 1 | NEEDLE, HIGH SPEED | | | |
| 15 | + | P003-000010 | 2 | LIMITER CAP | | | |
| 16 | + | 123118-02261 | 1 | NEEDLE | | | |
| 20 | + | 123146-10631 | 1 | PLUG, WELCH | | | |
| 21 | + | 123122-32630 | 1 | SPRING, METER. LEVER | | | |
| 22 | + | 123123-18330 | 1 | LEVER, METERING | | | |
| 23 | + | 123138-03930 | 1 | PIN, METERING LEVER | | | |
| 24 | + | 123139-03930 | 1 | SCREW, M. LEVER PIN | | | |
| 25 | + | 123137-19830 | 1 | VALVE, INLET NEEDLE | | | |
| 26 | + | P003-002290 | 1 | SHAFT, CHOKE | | | |
| 27 | + | 123149-26030 | 1 | WASHER | | | |
| 28 | + | P003-000620 | 1 | LEVER-FAST IDLE | | | |
| 29 | + | P003-000610 | 1 | SPRING | | | |

7. CARBURETOR



| KEY | LV | PART NUMBER | Q'TY | DESCRIPTION | REMARKS | NOTE1 | NOTE2 |
|-----|----|--------------|------|----------------------|---------|-------|-------|
| 30 | + | P003-002280 | 1 | SHAFT, THROTTLE | | | |
| 31 | + | P003-000560 | 1 | SPRING, THRT. RETURN | | | |
| 32 | + | 123132-16130 | 1 | VALVE, CHOKE | | | |
| 33 | + | 123114-05260 | 1 | SCREW | | | |
| 34 | + | 123140-16130 | 1 | GASKET, M. DIAPHRAGM | | | |
| 35 | + | 123141-16131 | 1 | DIAPHRAGM, METERING | | | |
| 36 | + | 123142-17330 | 1 | COVER, M. DIAPHRAGM | | | |
| 37 | + | 123130-02960 | 4 | SCREW | | | |

A. GUIDE BAR, CHAIN

| | | | |
|----|-------------|----|-----------|
| 1A | 45RS58-3/8E | 2A | 73LGX-64E |
| 1B | 50RS58-3/8E | 2B | 73LGX-72E |
| 1C | 60RS58-3/8E | 2C | 73LGX-84E |

| KEY | LV | PART NUMBER | Q'TY | DESCRIPTION | REMARKS | NOTE1 | NOTE2 |
|-----|----|--------------|------|----------------------|-------------|-------|-------|
| 1A | | 430217-30833 | 1 | BAR, GUIDE | 45RS58-3/8E | | |
| 2A | | 431017-30831 | 1 | CHAIN, SAW 73LGX-64E | 73LGX-64E | | |
| 1B | | 430212-30833 | 1 | BAR, GUIDE | 50RS58-3/8E | | |
| 2B | | 431012-30831 | 1 | CHAIN, SAW 73LGX-72E | 73LGX-72E | | |
| 1C | | 430213-30833 | 1 | BAR, GUIDE | 60RS58-3/8E | | |
| 2C | | 431013-30831 | 1 | CHAIN, SAW 73LGX-84E | 73LGX-84E | | |

Index

| Patrs Number | Key No. | Patrs Number | Key No. | Patrs Number | Key No. |
|---------------------|----------------|---------------------|----------------|---------------------|----------------|
| 100142-30830 | 1 - 14 | 178090-37930 | 4 - 21 | A359-000000 | 4 - 41 |
| 100215-02830 | 1 - 17 | 430212-30833 | A - 1B | A409-000360 | 3 - 10 |
| 123110-16130 | 7 - 1 | 430213-30833 | A - 1C | A411-000450 | 3 - 8 |
| 123112-12330 | 7 - 4 | 430217-30833 | A - 1A | A425-000000 | 3 - 4 |
| 123114-05260 | 7 - 33 | 431012-30831 | A - 2B | A426-000010 | 3 - 2 |
| 123114-38830 | 7 - 6 | 431013-30831 | A - 2C | A427-000013 | 3 - 1 |
| 123116-16130 | 7 - 7 | 431017-30831 | A - 2A | A429-000040 | 3 - 3 |
| 123118-02261 | 7 - 16 | 436114-13930 | 1 - 34 | A440-001190 | 4 - 29 |
| 123120-32631 | 7 - 14 | 436205-14730 | 5 - 44 | A503-000030 | 3 - 23 |
| 123122-32630 | 7 - 21 | 437210-30830 | 5 - 24 | A506-000110 | 3 - 21 |
| 123123-18330 | 7 - 22 | 437239-14730 | 1 - 33 | A511-000071 | 3 - 25 |
| 123124-19830 | 7 - 2 | 890157-39130 | 2 - 22 | A551-000110 | 5 - 21 |
| 123125-12330 | 7 - 3 | 890345-39230 | 2 - 24 | A552-000110 | 5 - 18 |
| 123126-10631 | 7 - 5 | 890631-38130 | 2 - 23 | A556-000550 | 5 - 15 |
| 123127-15030 | 7 - 9 | 895812-03930 | 6 - 7 | C022-000051 | 5 - 27 |
| 123130-02960 | 7 - 37 | 898568-14530 | 6 - 12 | C300-000410 | 5 - 38 |
| 123132-16130 | 7 - 32 | 900241-03006 | 5 - 36 | C302-000010 | 5 - 43 |
| 123133-04260 | 7 - 13 | 900246-03008 | 1 - 30 | C304-000180 | 6 - 2 |
| 123134-04260 | 7 - 12 | 900246-03008 | 4 - 34 | C305-000100 | 5 - 37 |
| 123137-19830 | 7 - 25 | 900345-40025 | 4 - 24 | C305-000110 | 5 - 30 |
| 123138-03930 | 7 - 23 | 900515-00008 | 3 - 11 | C309-000160 | 5 - 32 |
| 123139-03930 | 7 - 24 | 900603-00005 | 3 - 15 | C310-000010 | 6 - 3 |
| 123140-16130 | 7 - 34 | 900701-00015 | 5 - 23 | C320-000180 | 5 - 1 |
| 123141-16131 | 7 - 35 | 900720-00028 | 1 - 32 | C328-000121 | 5 - 9 |
| 123142-17330 | 7 - 36 | 900720-20029 | 4 - 36 | C334-000110 | 5 - 5 |
| 123146-10631 | 7 - 20 | 93050-30080 | 5 - 10 | C345-000282 | 5 - 4 |
| 123149-26030 | 7 - 27 | A011-000540 | 1 - 24 | C400-000550 | 4 - 1 |
| 123156-30830 | 7 - 10 | A014-000040 | 1 - 1 | C410-000463 | 4 - 28 |
| 130110-14530 | 4 - 19 | A021-001660 | 2 - 8 | C411-000001 | 4 - 25 |
| 130110-30830 | 4 - 13 | A021-001660 | 7 - | C450-000360 | 4 - 22 |
| 131050-19830 | 1 - 31 | A056-000220 | 5 - 17 | C454-000170 | 4 - 20 |
| 131050-19830 | 4 - 35 | A101-000210 | 1 - 9 | C603-000220 | 5 - 46 |
| 131051-19830 | 1 - 29 | A130-000910 | 1 - 3 | C617-000361 | 4 - 9 |
| 131051-19830 | 4 - 33 | A160-001080 | 2 - 16 | E106-000020 | 1 - 27 |
| 131205-19831 | 4 - 12 | A172-000842 | 3 - 17 | P003-000010 | 7 - 15 |
| 131300-56431 | 4 - 42 | A202-000080 | 1 - 4 | P003-000560 | 7 - 31 |
| 132013-09820 | 4 - 11 | A206-000010 | 1 - 5 | P003-000610 | 7 - 29 |
| 132013-09820 | 5 - 25 | A219-000000 | 2 - 20 | P003-000620 | 7 - 28 |
| 132115-01461 | 1 - 37 | A232-000471 | 2 - 14 | P003-002280 | 7 - 30 |
| 132115-01461 | 4 - 14 | A235-000190 | 2 - 15 | P003-002290 | 7 - 26 |
| 150114-04920 | 4 - 31 | A239-000060 | 1 - 23 | P003-002300 | 7 - 8 |
| 156110-04920 | 3 - 6 | A239-000070 | 2 - 17 | P021-007050 | 5 - 19 |
| 175033-14731 | 5 - 14 | A241-000170 | 4 - 27 | P021-014290 | 6 - 8 |
| 177214-02830 | 3 - 20 | A244-000080 | 2 - 12 | P021-015133 | 1 - 15 |
| 177218-19830 | 3 - 14 | A300-001570 | 2 - 6 | P021-015163 | 3 - 18 |
| 177220-35430 | 3 - 24 | A301-000030 | 2 - 2 | P021-015190 | 1 - 8 |
| 177226-07060 | 3 - 22 | A310-000100 | 2 - 5 | P021-016020 | 2 - 9 |
| 177234-35430 | 3 - 12 | A313-001041 | 2 - 4 | P021-016031 | 1 - 28 |
| 177247-04630 | 3 - 13 | A313-001050 | 2 - 3 | P021-016041 | 4 - 32 |

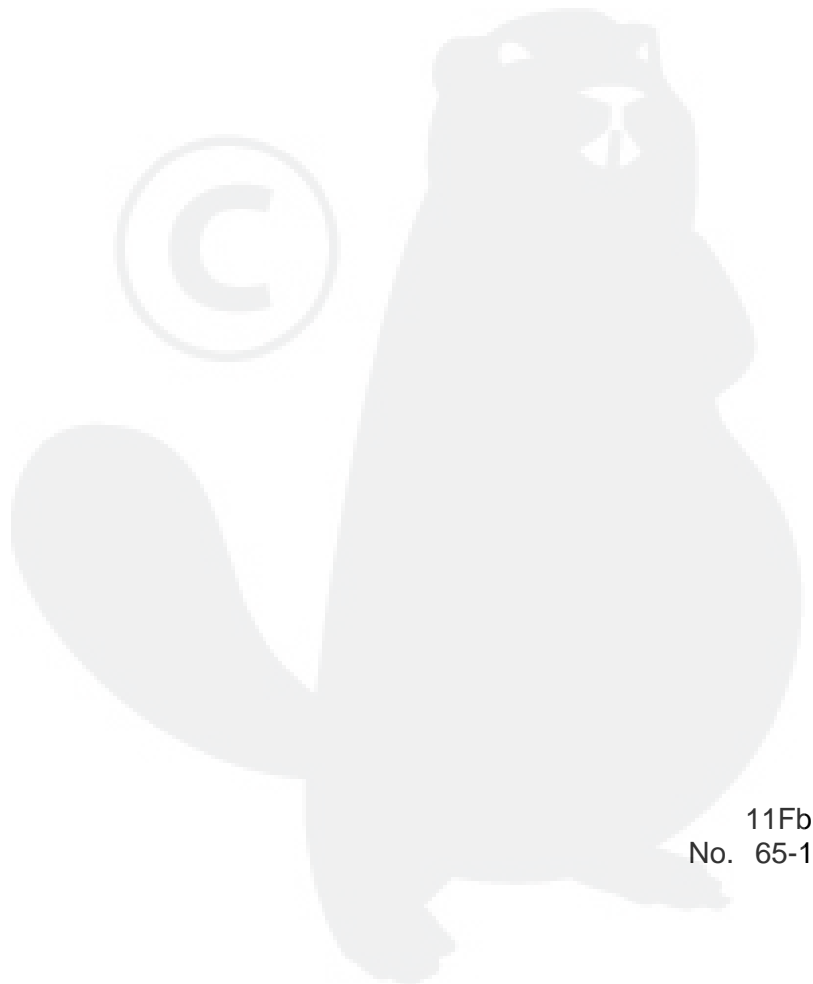
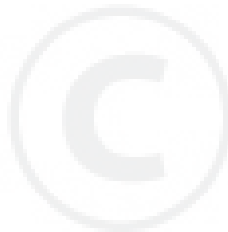
Index

| Patrs Number | Key No. | Patrs Number | Key No. | Patrs Number | Key No. |
|---------------------|----------------|---------------------|----------------|---------------------|----------------|
| P021-016370 | 2 - 28 | V804-000000 | 5 - 28 | | |
| V100-000270 | 1 - 7 | V804-000000 | 5 - 47 | | |
| V102-000060 | 1 - 19 | V804-000030 | 2 - 1 | | |
| V104-000910 | 2 - 7 | V805-000000 | 1 - 6 | | |
| V130-000030 | 4 - 26 | V805-000000 | 1 - 26 | | |
| V131-000020 | 4 - 15 | V805-000000 | 2 - 19 | | |
| V141-000090 | 1 - 36 | V805-000000 | 3 - 9 | | |
| V186-000080 | 4 - 18 | V805-000000 | 4 - 5 | | |
| V203-000110 | 5 - 31 | V805-000000 | 4 - 7 | | |
| V205-000400 | 1 - 38 | V805-000000 | 5 - 2 | | |
| V265-000250 | 5 - 41 | V805-000000 | 6 - 1 | | |
| V307-000180 | 5 - 13 | V805-000010 | 1 - 20 | | |
| V308-000040 | 1 - 13 | V805-000010 | 3 - 29 | | |
| V311-000090 | 5 - 48 | V805-000010 | 4 - 3 | | |
| V341-000130 | 5 - 45 | V805-000010 | 4 - 37 | | |
| V341-000140 | 2 - 18 | V805-000020 | 1 - 21 | | |
| V355-000270 | 5 - 35 | V805-000030 | 2 - 10 | | |
| V356-000440 | 5 - 3 | V805-000130 | 3 - 19 | | |
| V356-000470 | 1 - 39 | V805-000170 | 1 - 35 | | |
| V358-000090 | 5 - 22 | V805-000210 | 2 - 21 | | |
| V360-000060 | 1 - 25 | V805-000220 | 1 - 2 | | |
| V376-000450 | 5 - 8 | V805-000230 | 4 - 40 | | |
| V420-001790 | 1 - 22 | V806-000000 | 4 - 2 | | |
| V450-000730 | 4 - 6 | V806-000000 | 4 - 45 | | |
| V450-000740 | 5 - 11 | V835-000000 | 3 - 16 | | |
| V450-000760 | 4 - 39 | V855-000000 | 2 - 27 | | |
| V450-000770 | 4 - 43 | X502-000340 | 5 - 42 | | |
| V451-000500 | 5 - 20 | X502-000460 | 3 - 28 | | |
| V452-000260 | 4 - 23 | X503-009510 | 2 - 26 | | |
| V452-000400 | 5 - 7 | X602-000080 | 6 - 6 | | |
| V456-000080 | 4 - 4 | X605-000050 | 6 - 9 | | |
| V456-000090 | 4 - 38 | | | | |
| V456-000101 | 4 - 44 | | | | |
| V470-000830 | 5 - 26 | | | | |
| V471-000600 | 4 - 10 | | | | |
| V475-004130 | 3 - 5 | | | | |
| V485-001091 | 3 - 7 | | | | |
| V485-001101 | 4 - 30 | | | | |
| V508-000010 | 1 - 16 | | | | |
| V555-000160 | 5 - 16 | | | | |
| V556-000000 | 1 - 12 | | | | |
| V580-000030 | 1 - 10 | | | | |
| V583-000130 | 5 - 12 | | | | |
| V592-000000 | 1 - 18 | | | | |
| V609-000010 | 1 - 11 | | | | |
| V651-000001 | 5 - 33 | | | | |
| V651-000011 | 5 - 34 | | | | |
| V652-000050 | 5 - 29 | | | | |
| V804-000000 | 4 - 46 | | | | |

YAMABIKO CORPORATION

7-2 SUEHIROCHO 1-CHOME, OHME, TOKYO 198-8760, JAPAN
PHONE: 81-428-32-6118. FAX: 81-428-32-6145.

ECHO[®]



11Fb
No. 65-115