



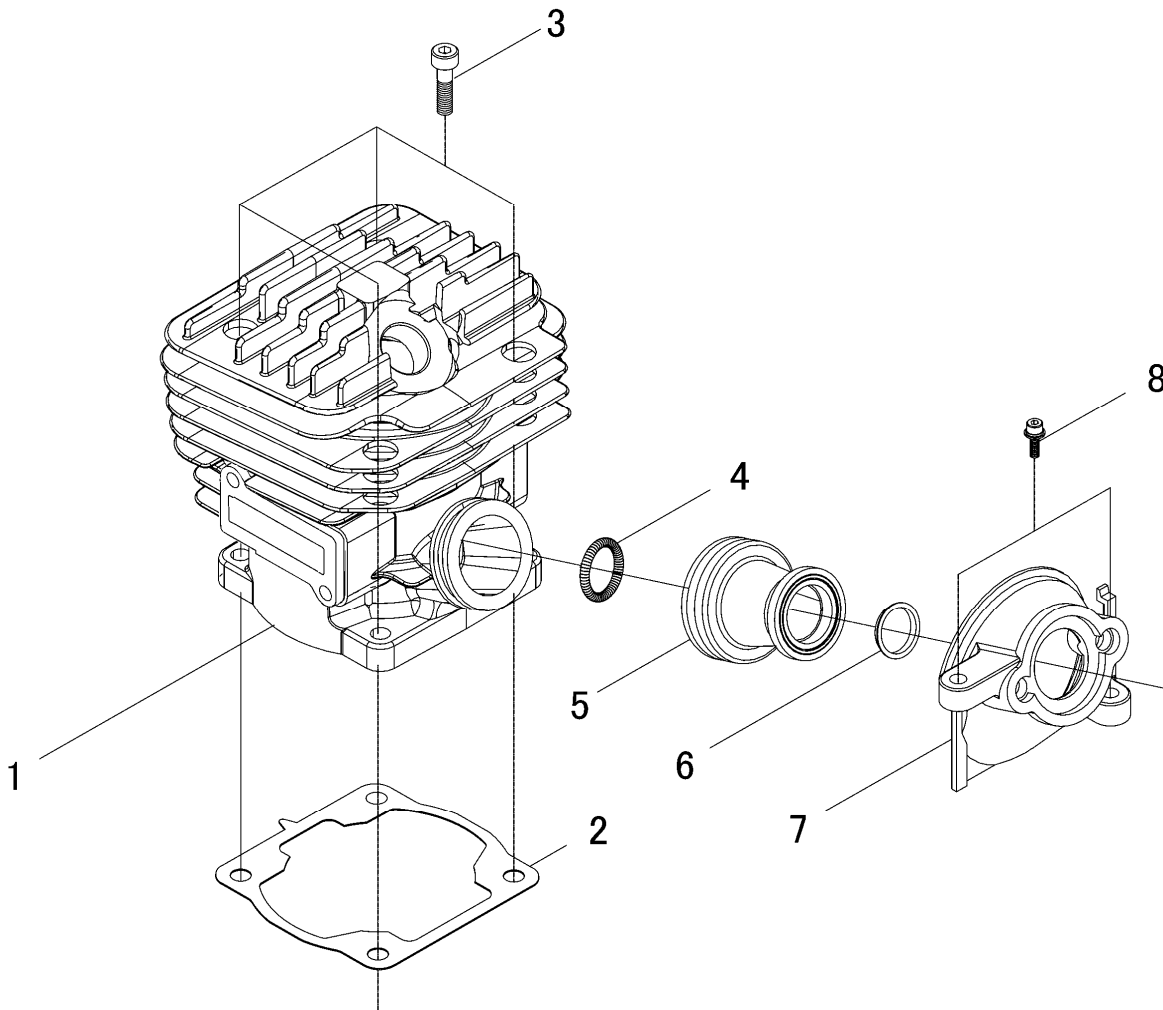
# **PARTS CATALOG**

## **CHAIN SAW CS-500ES(37)**

**37000001 -**

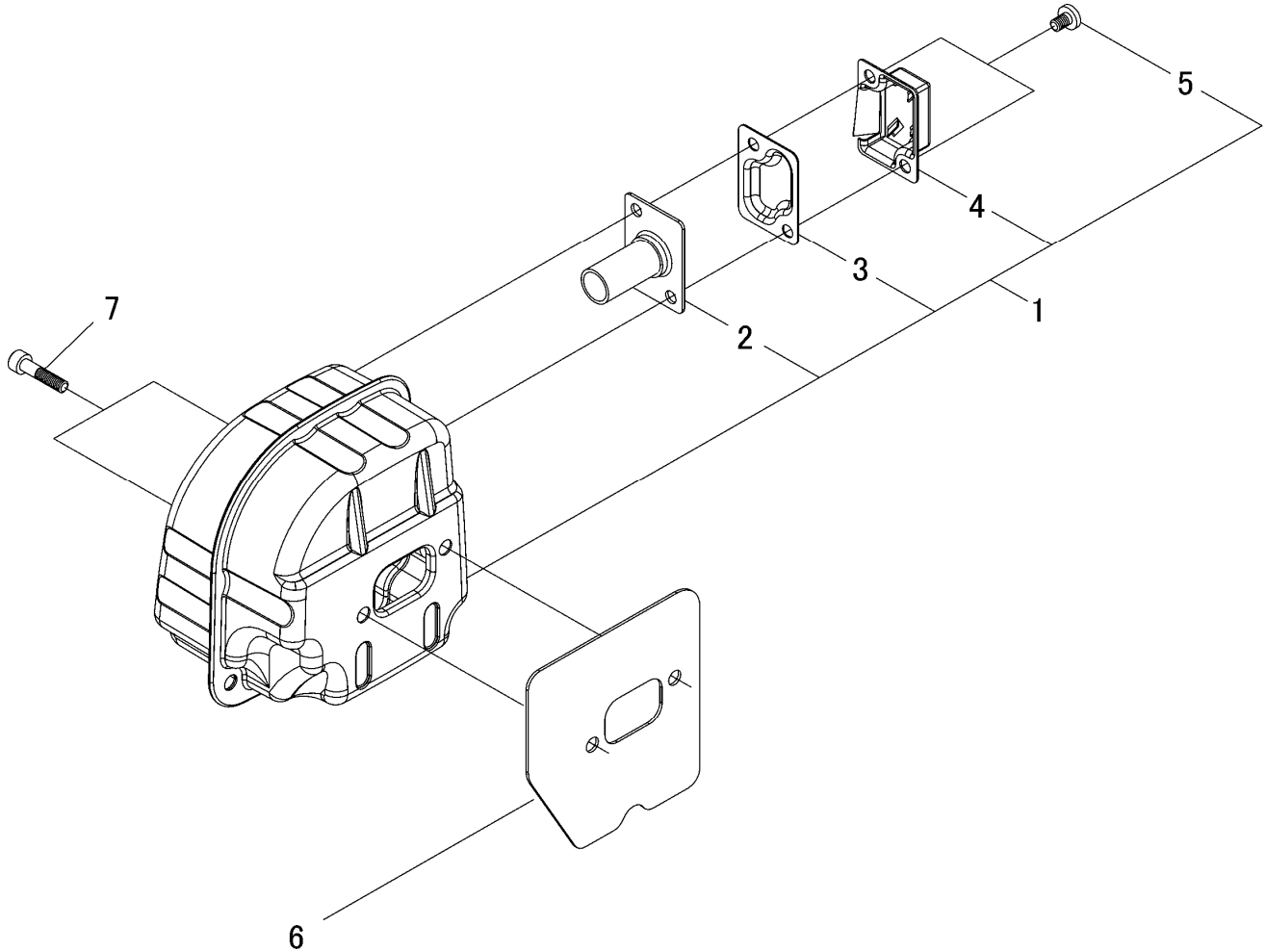
P014-001300-11Db

## 1. CYLINDER



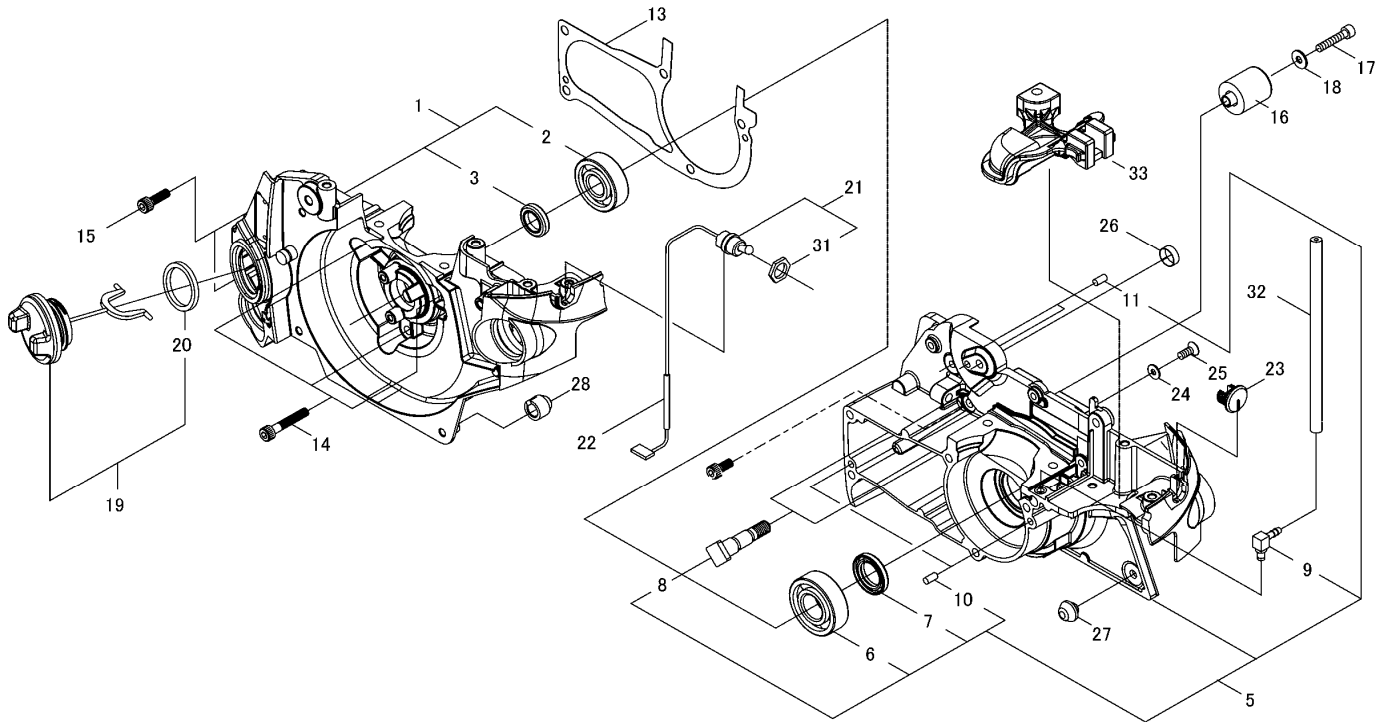
KEY	LV	PART NUMBER	Q'TY	DESCRIPTION	REMARKS	NOTE1	NOTE2
1		P021-038240		CYLINDER ASSY			
2		V100-000620	1	GASKET,CYL			
3		V203-001540	4	BOLT,ADHESIVE			
4		V451-000920	1	SPRING			
5		A202-000150	1	BOOT			
6		V359-000200	1	COLLAR			
7		A200-000852	1	INSULATOR, INTAKE			
8		V202-000200	2	BOLT			

2. MUFFLER



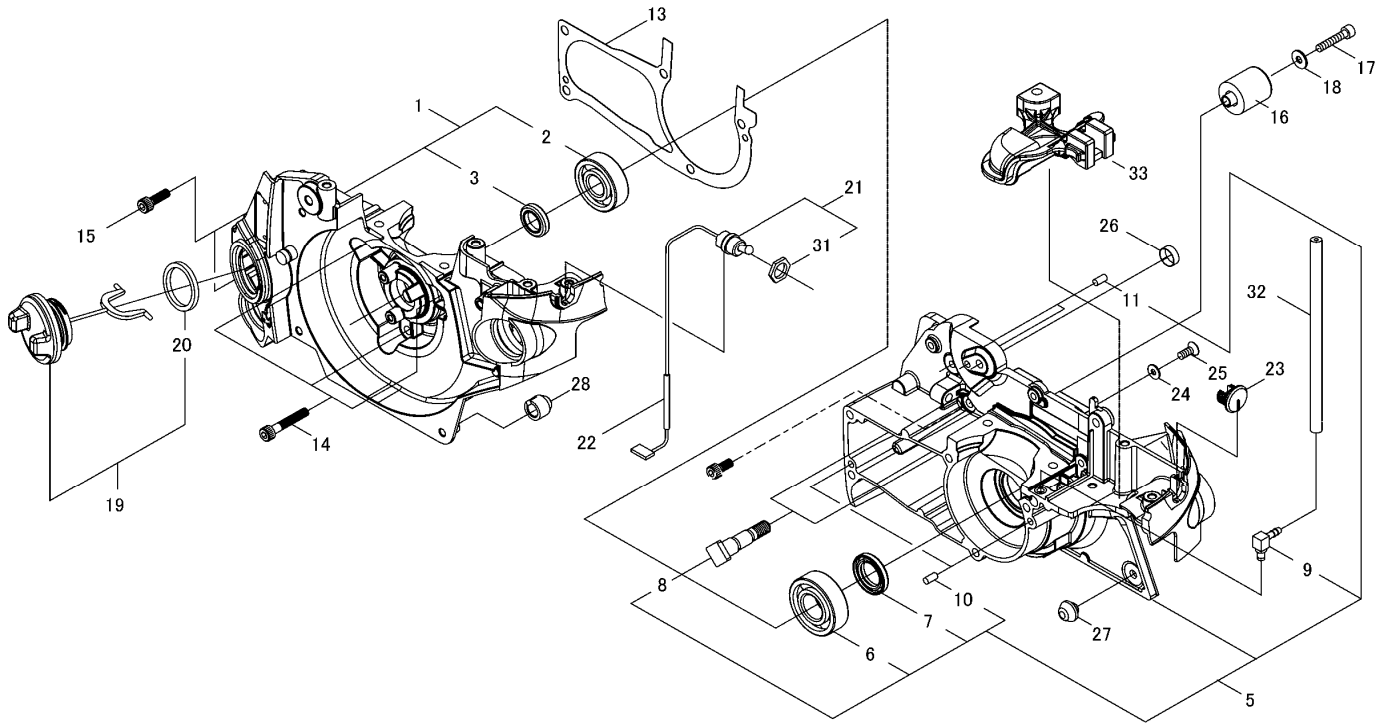
KEY	LV	PART NUMBER	Q'TY	DESCRIPTION	REMARKS	NOTE1	NOTE2
1		A030-000780	1	MUFFLER ASY			
2	+	A313-001481	1	GUIDE, EXHAUST			
3	+	A310-000300	1	SCREEN			
4	+	A313-001680	1	GUIDE, EXHAUST			
5	+	91578-04006	2	SCREW			
6		V104-001780	1	GASKET, EXHAUST			
7		V203-001540	4	BOLT, ADHESIVE			

3. CASECRANK



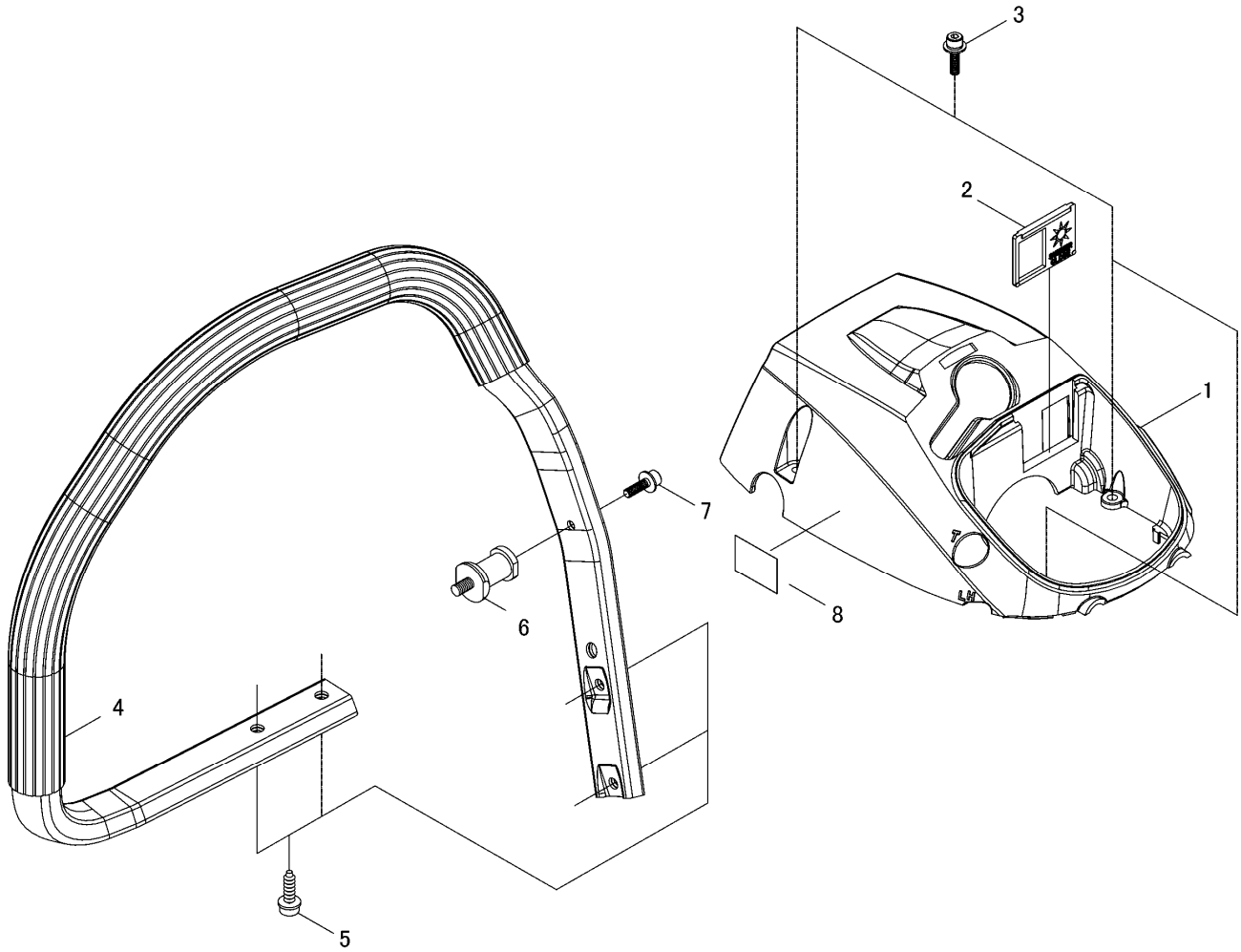
KEY	LV	PART NUMBER	Q'TY	DESCRIPTION	REMARKS	NOTE1	NOTE2
1		P021-036150	1	CRANKCASE,M-C			
2	+	V592-000330	1	BEARING, BALL	6201X3C3		
3	+	V505-000070	1	OIL SEAL			
5		P021-036160	1	CRANKCCASE,C-C			
6	+	V592-000290	1	BEARING, BALL	6202X47C3		
7	+	V508-000070	1	OIL SEAL			
8	+	V225-000150	2	BOLT,STUD			
9	+	437239-14730	1	NIPPLE			
10	+	100215-03930	2	PIN, DOWEL			
11	+	V629-000000	2	ROLLER			
13		V102-000220	1	GASKET,CRANKCASE			
14		V203-001450	3	BOLT			
15		V203-001540	2	BOLT,ADHESIVE			
16		C310-000110	1	CATCHER, CHAIN			
17		900105-05030	1	BOLT, H.S. 5*30	5*30		
18		900600-00005	1	WASHER 5	5		
19		P021-037410	1	OIL CAP ASY			
20	+	V107-000090	1	GASKET,FUEL CAP			
21		P021-034590	1	SWITCH,ON OFF			
31	+	V266-000090	1	NUT,10			
22		V485-002030	1	LEAD			
23		V141-000100	1	PLUG			
24		900603-00004	1	WASHER 4	4.5*10*0.8		
25		900212-04008	1	SCREW 4*8	+SF4*8		
26		V355-000460	1	COLLAR,8			
27		V420-002770	1	CUSHION			

3. CASECRANK



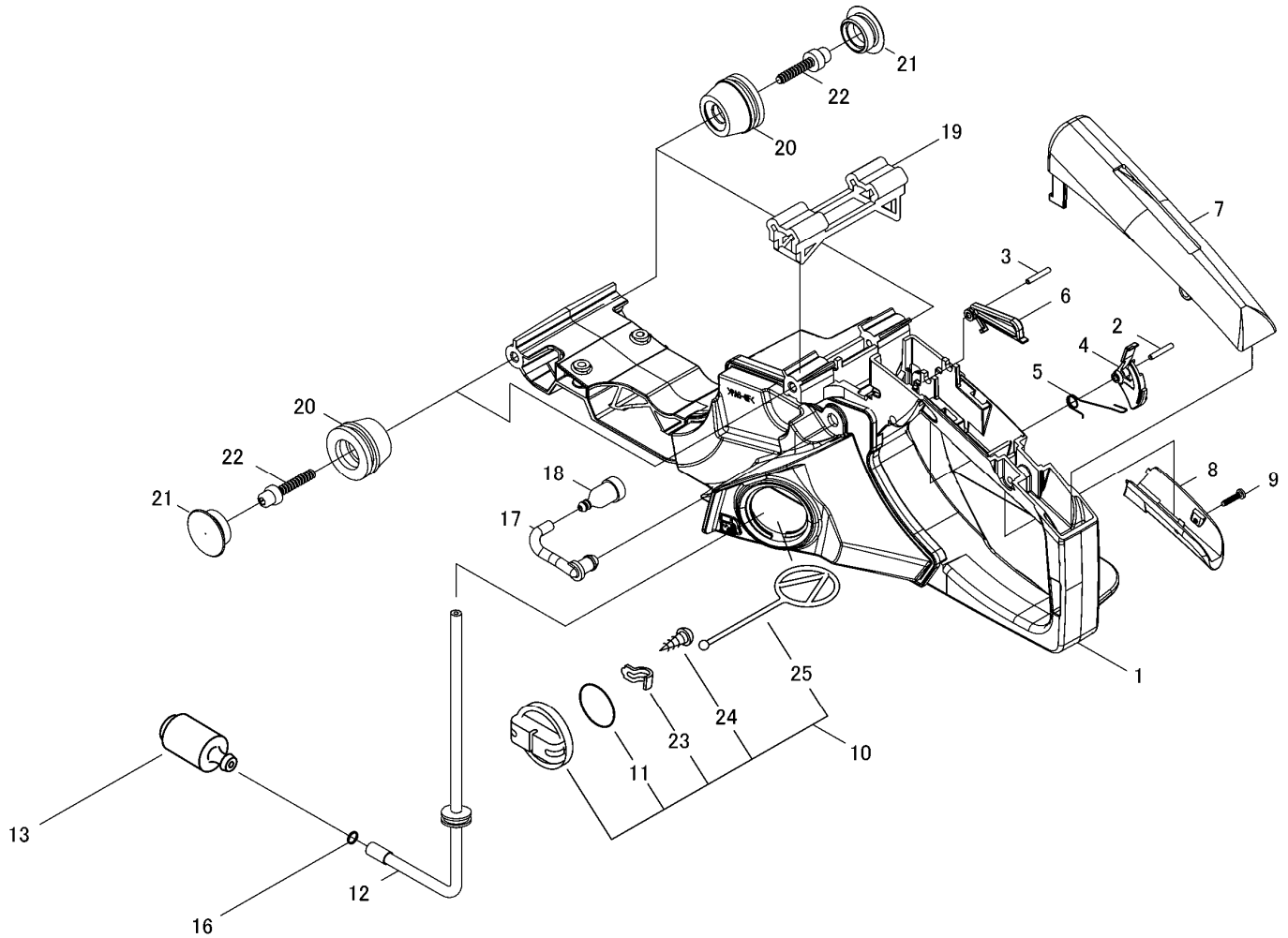
KEY	LV	PART NUMBER	Q'TY	DESCRIPTION	REMARKS	NOTE1	NOTE2
28		V420-002780	1	CUSHION			
32		V471-002800	1	PIPE			
33		A127-000361	1	COVER,DUST			

4. HANDLE



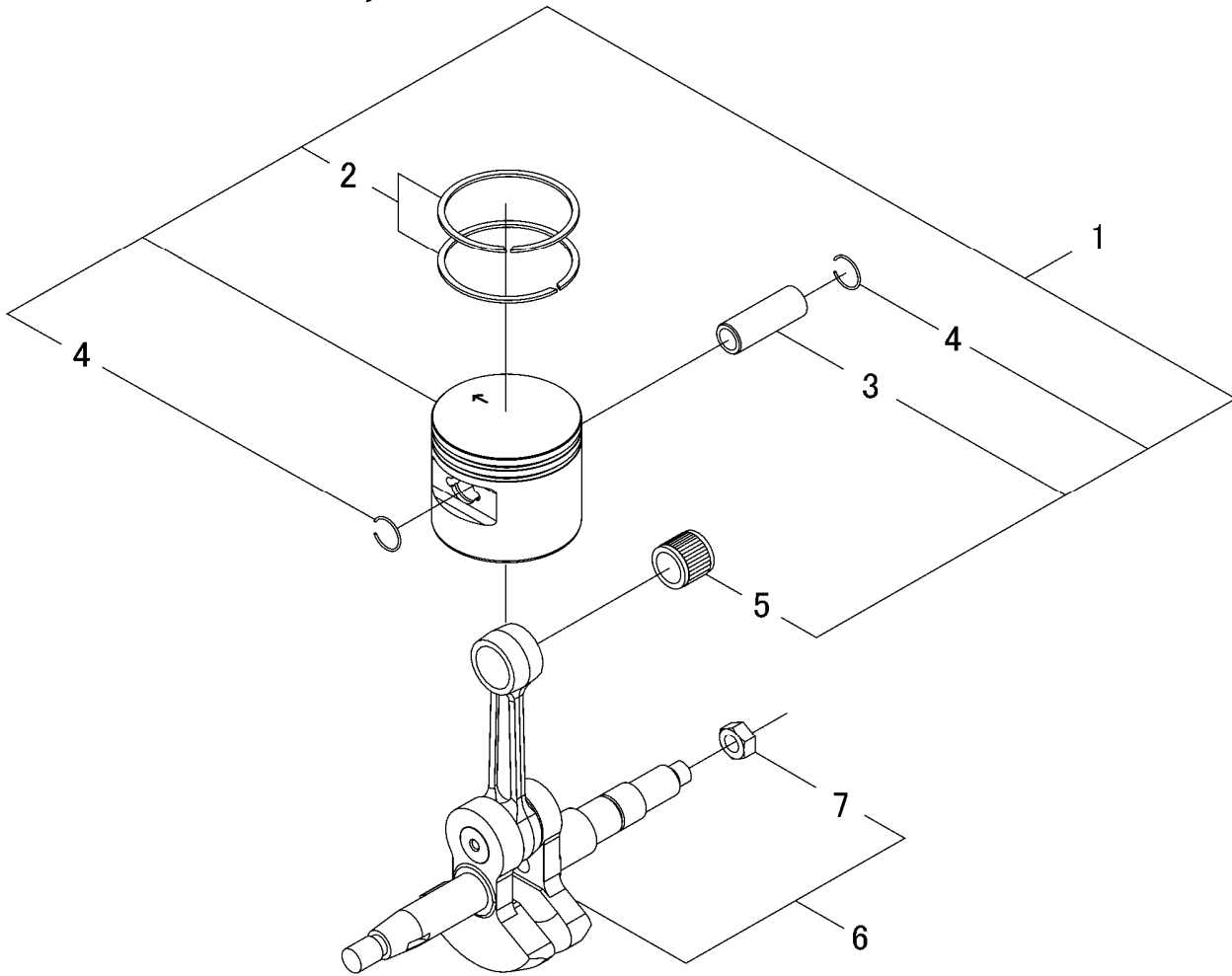
KEY	LV	PART NUMBER	Q'TY	DESCRIPTION	REMARKS	NOTE1	NOTE2
1		A160-002380	1	COVER,CYLINDER			
2		A219-000040	1	SHUTTER,AIR			
3		V202-000200	3	BOLT			
4		C040-000710	1	HANDLE,FRONT			
5		V203-001490	4	BOLT TAPPING			
6		V401-000330	1	CUSHION			
7		V202-000520	1	BOLT,4			
8		890345-39230	1	LABEL,CAUTION			

## 5. REAR HANDLE



KEY	LV	PART NUMBER	Q'TY	DESCRIPTION	REMARKS	NOTE1	NOTE2
1		C041-000581	1	HANDLE,ASM REAR			
2		93060-40250	1	PIN, SPRING			
3		93042-40220	1	PIN, SPRING			
4		C450-000640	1	TRIGGER,THROTTLE			
5		V452-000850	1	SPRING,TORSION			
6		C460-000390	1	LOCKOUT,THROTTLE			
7		C411-000170	1	LID,HANDLE			
8		C403-000530	1	GRIP			
9		91449-04022	1	SCREW TAPPING			
10		P021-037420	1	CAP ASY, FUEL			
23	+	131050-19830	1	RETAINER, LINK			
24	+	900246-03008	1	SCREW 3*8	3*8		
25	+	131051-19830	1	LINK	60L		
11	+	900720-20029	1	O-RING 29	P-29		
12		V470-001520	1	PIPE			
13		131205-19831	1	STRAINER, FUEL			
16		V490-000500	1	CLIP			
17		V470-001530	1	PIPE			
18		A356-000050	1	VALVE,CHECK			
19		V420-002810	1	STOPPER			
20		V401-000340	4	CUSHION			
21		V421-000070	4	CAP,CUSHION			
22		V203-001480	4	BOLT			

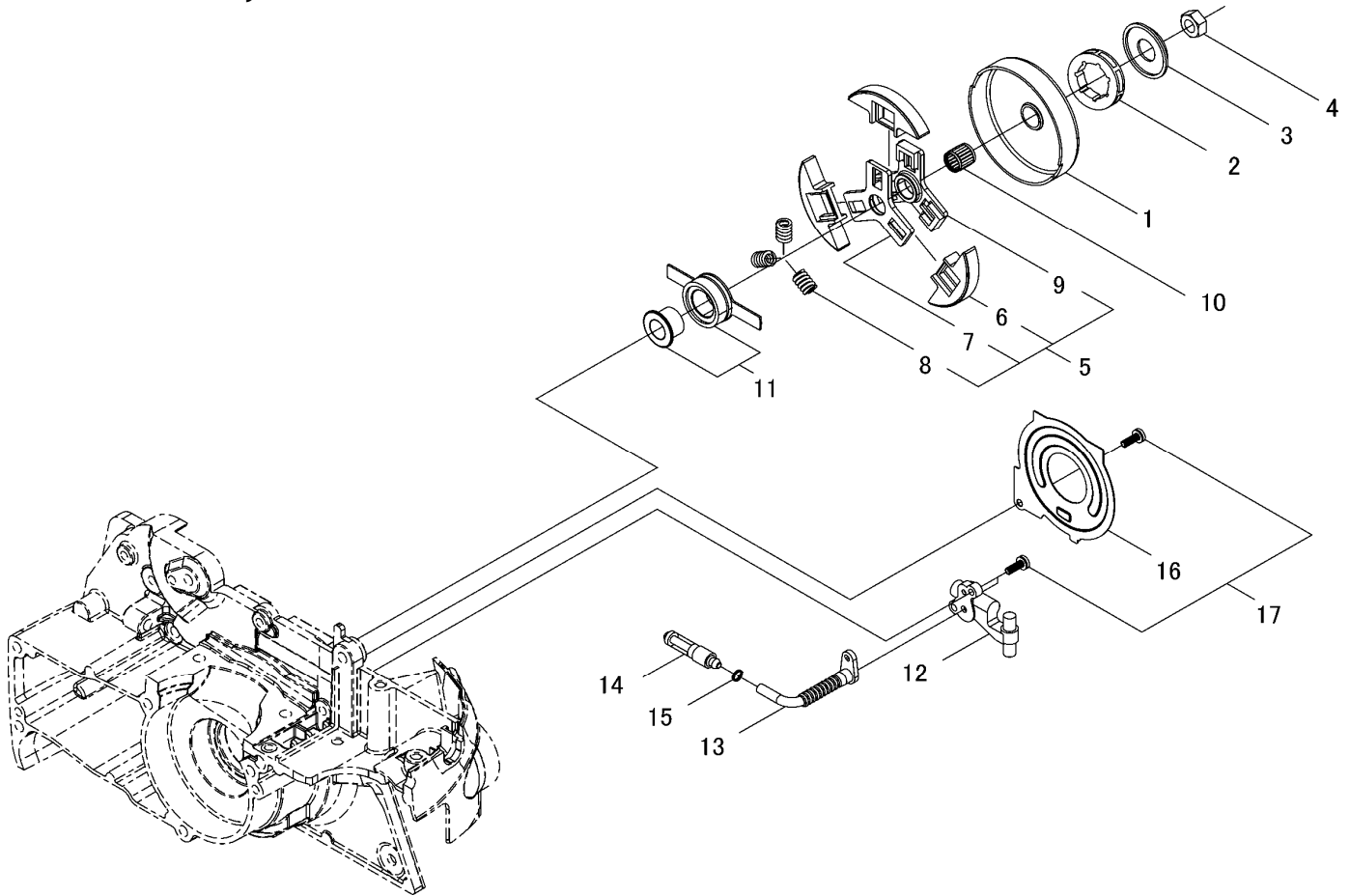
**6. CRANKSHAFT, PISTON**



KEY	LV	PART NUMBER	Q'TY	DESCRIPTION	REMARKS	NOTE1	NOTE2
1		P021-036170	1	PISTON KIT			
2	+	A101-000540	2	PISTON RING			
3	+	V609-000050	1	PISTON PIN			
4	+	100015-32330	2	CIRCLIP, PISTON PIN			
5	+	V556-000040	1	BEARING, NEEDLE 11			
6		P021-036180	1	CRANK SHAFT			
7	+	V471-003150	1	PIPE			

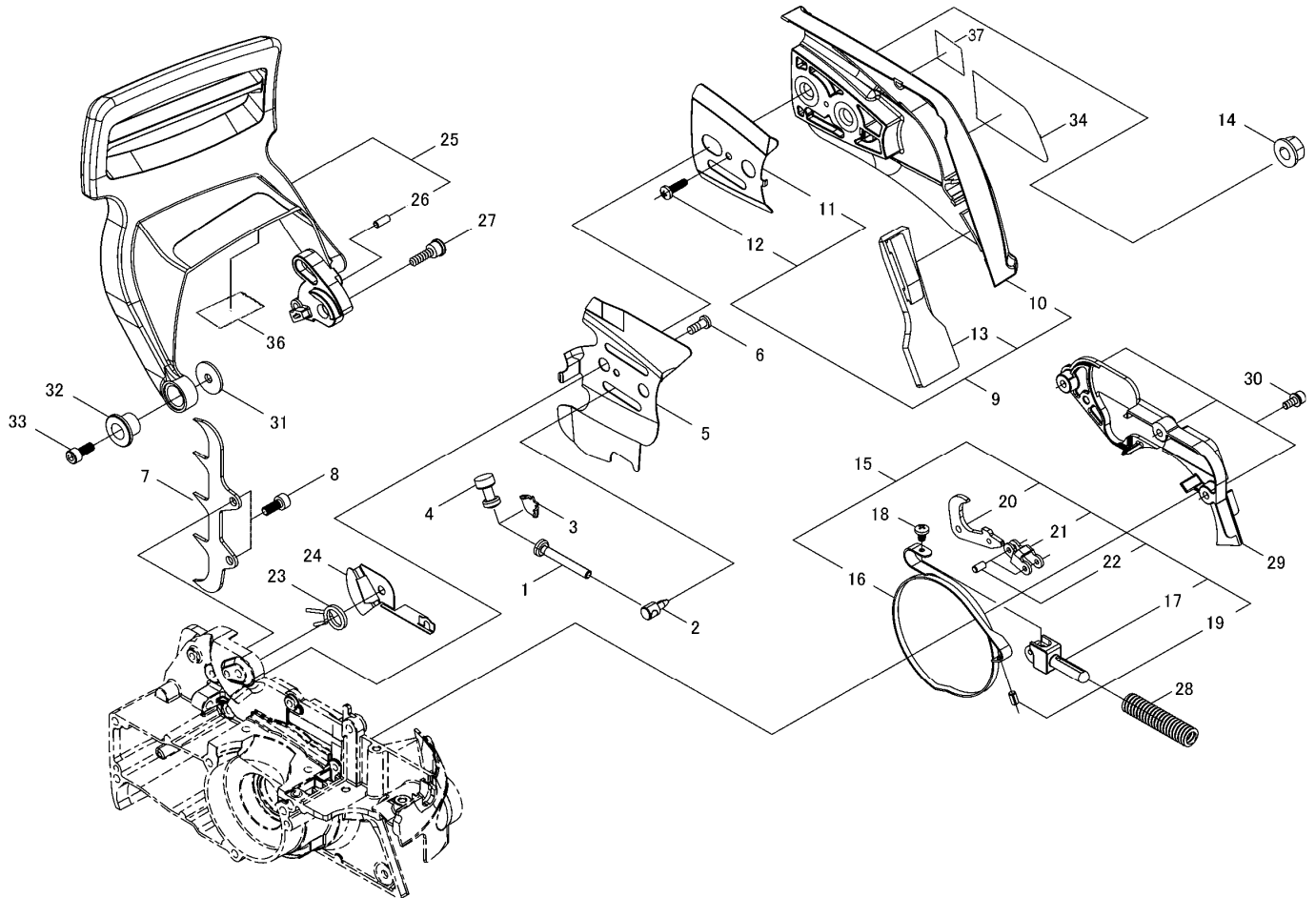


7. CLUTCH, SPROCKET



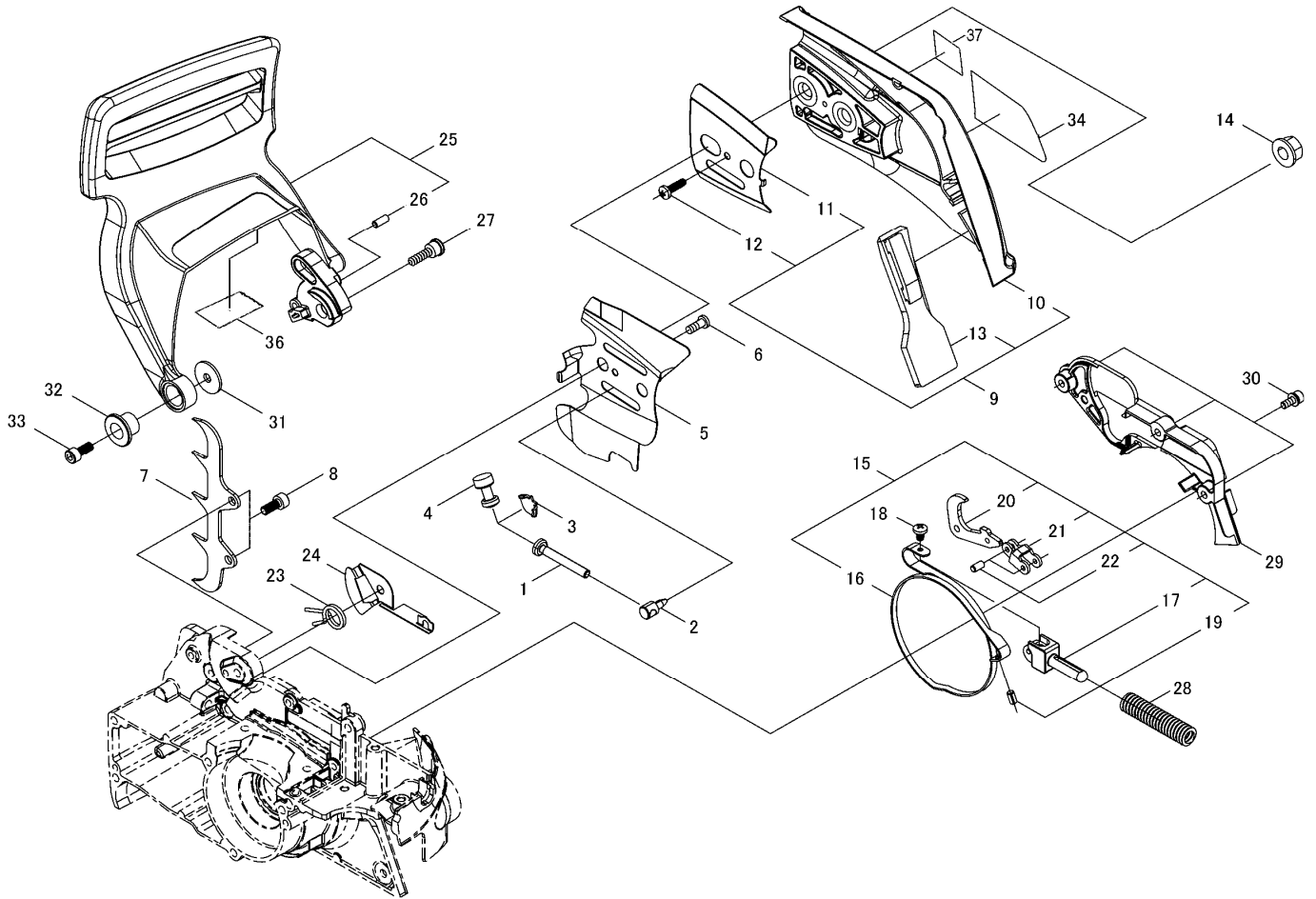
KEY	LV	PART NUMBER	Q'TY	DESCRIPTION	REMARKS	NOTE1	NOTE2
1		A556-001121	1	DRUM, CLUTCH			
2		A560-000010	1	RIM			
3		V307-000450	1	WASHER, CIRCULAR 10			
4		V265-000211	1	NUT, 8			
5		A056-000610	1	ASM, CLUCH			
6	+	A555-000210	3	SHOE, CLUTCH			
7	+	A552-000230	1	HUB, CLUTCH			
8	+	V451-000930	3	SPRING			
9	+	A552-000240	1	HUB, CLUTCH			
10		V555-000150	1	BEARING, NEEDLE			
11		P021-023110	1	GEAR			
12		C022-000121	1	AUTO-OILER ASSEMBLY			
13		V470-001840	1	PIPE			
14		C209-000070	1	STRAINER, OIL			
15		V490-000500	1	CLIP			
16		C236-000060	1	COVER, OILER			
17		V202-000520	3	BOLT, 4			

## 8. CHAIN BRAKE



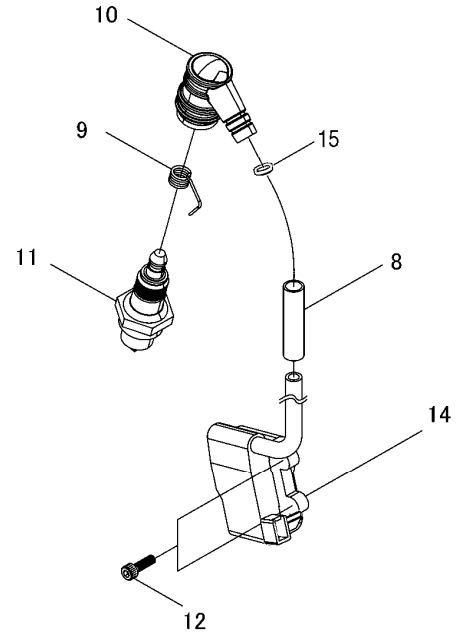
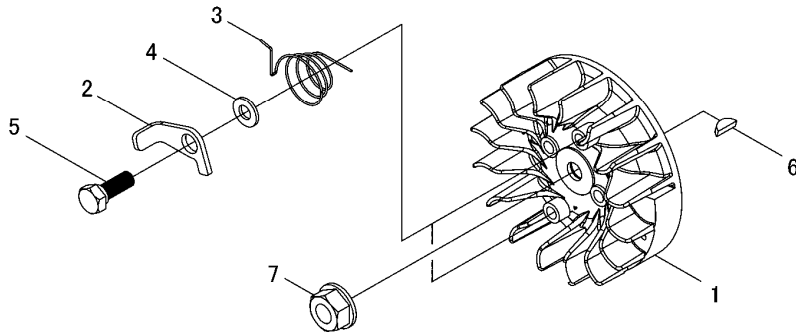
KEY	LV	PART NUMBER	Q'TY	DESCRIPTION	REMARKS	NOTE1	NOTE2
1		V253-000610	1	SCREW			
2		C309-000110	1	TENSIONER,CHAIN			
3		V152-002430	1	GUIDE			
4		V651-000790	1	GEAR,BEVEL			
5		C305-000411	1	PLATE,SPROCKET GUARD			
6		V252-000470	1	SCREW,4			
7		C304-000200	1	SPIKED			
8		900105-05012	2	BOLT, H.S. 5*12	5*12		
9		P021-036190	1	CLUTCH COVER ASSY			
10	+	C300-000780	1	GUARD,SPROCKET			
11	+	C305-000260	1	PLATE,SPROCKET GUARD			
12	+	91374-04006	1	SCREW TAPPING			
13	+	C302-000030	1	PROTECTOR			
14		V265-000200	2	NUT			
15		C328-000210	1	BAND,BRAKE			
16	+	C328-000220	1	BAND,BRAKE			
17	+	C334-000180	1	CONNECTOR,BRAKE			
18	+	91381-04010	1	SCREW TAPPING			
19	+	93042-40100	1	PIN, SPRING			
20	+	C334-000190	1	CONNECTOR, BRAKE			
21	+	C334-000200	1	CONNECTOR,BRAKE			
22	+	V629-000010	2	ROLLER			
23		V452-000860	1	SPRING,TORSION			
24		C347-000010	1	PLATE,BRAKE SEAL			
25		C320-000312	1	LEVER, BRAKE			
26	+	100215-03930	1	PIN, DOWEL			

8. CHAIN BRAKE



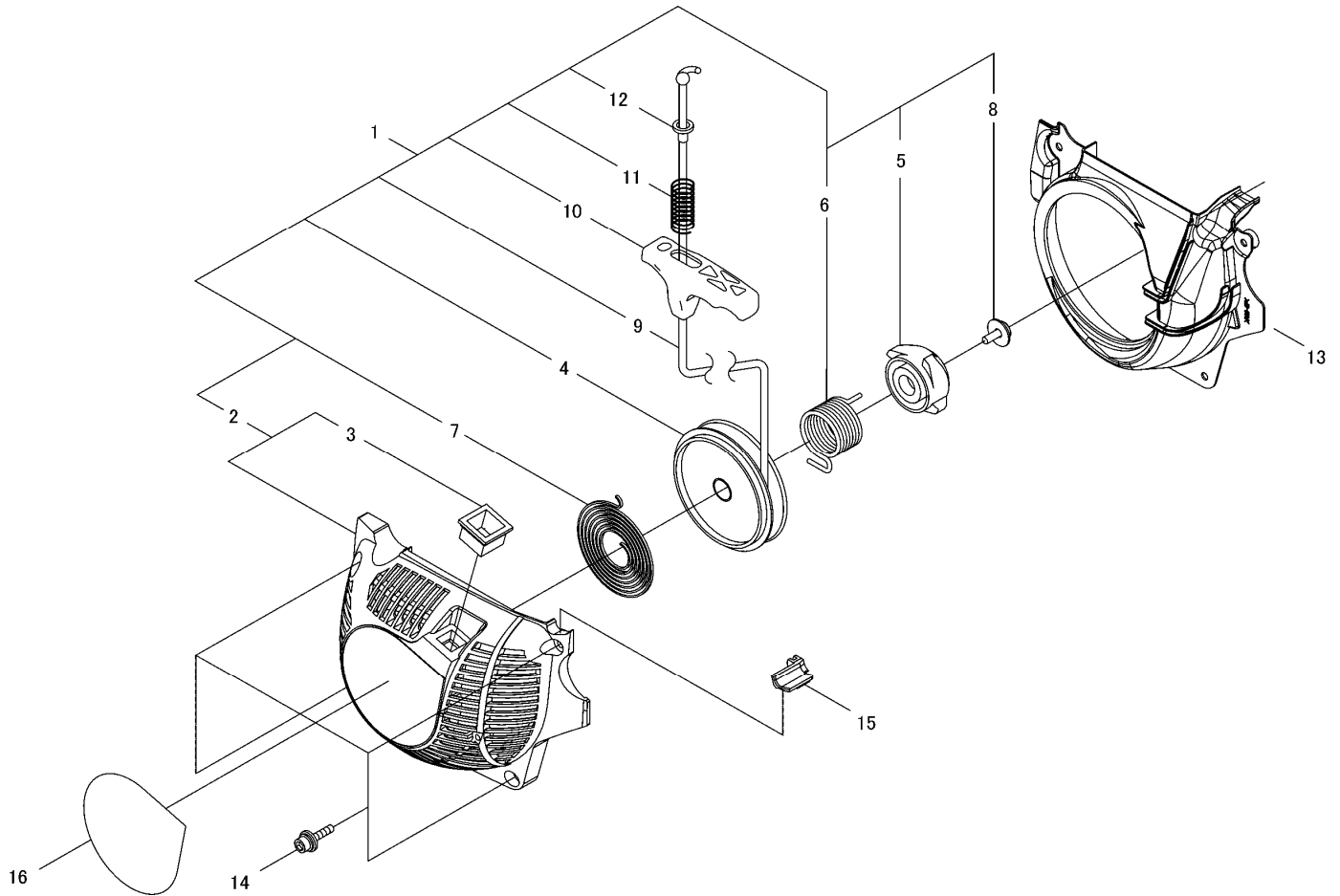
KEY	LV	PART NUMBER	Q'TY	DESCRIPTION	REMARKS	NOTE1	NOTE2
27		V203-001470	1	BOLT,ADHESIVE			
28		V450-001160	1	SPRING,COIL			
29		C345-000430	1	ROD,THROTTLE			
30		V202-000490	3	BOLT			
31		V303-000320	1	WASHER,CIRCULAR 5			
32		J211-000430	1	BUSH			
33		V203-001410	1	BOLT ADHESIVE			
34		X502-000770	1	LABEL,ECHO			
36		V341-000130	1	WASHER,SQUARE	75*27*0.15		
37		890316-39130	1	LABEL, CAUTION			

9. MAGNETO



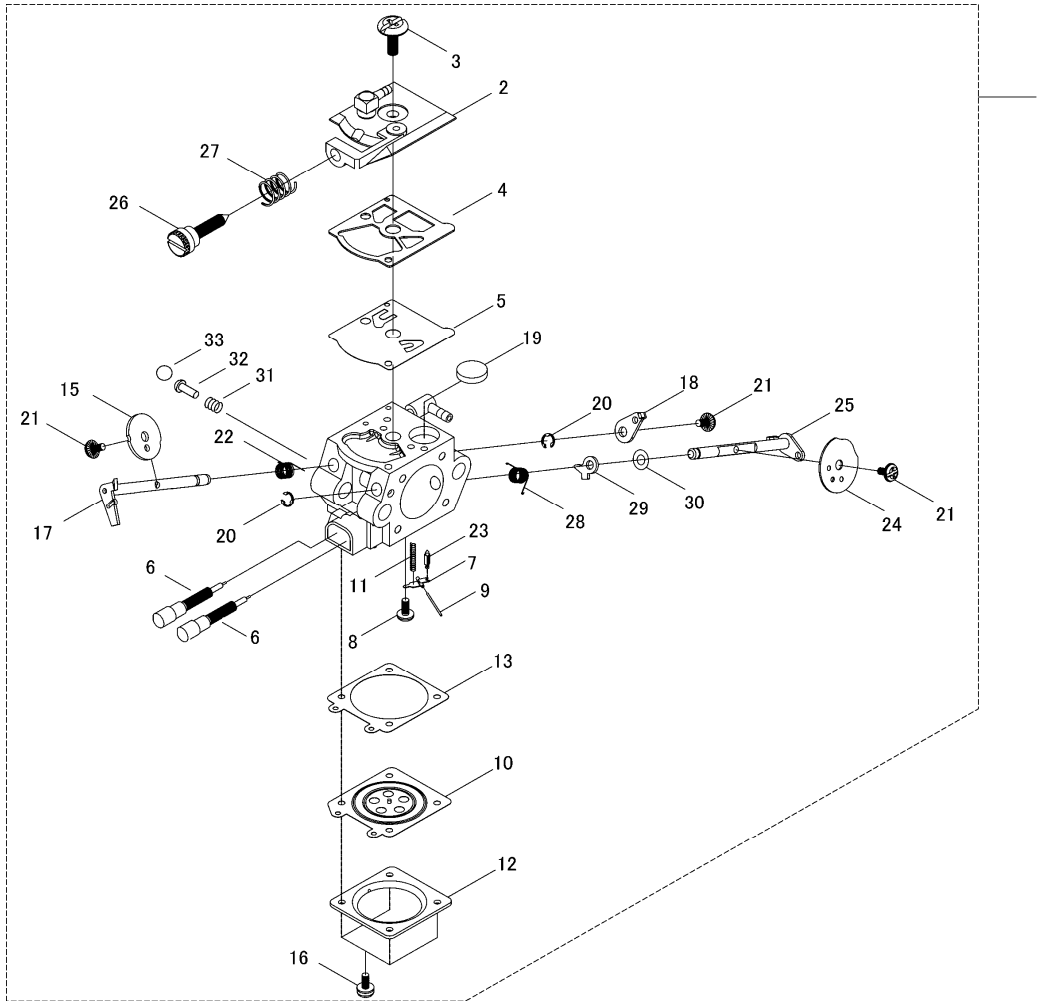
KEY	LV	PART NUMBER	Q'TY	DESCRIPTION	REMARKS	NOTE1	NOTE2
1		A409-000901	1	ROTOR, MAGNETO			
2		A514-000220	2	PAWL			
3		V452-000870	2	SPRING, TORSION			
4		V304-000270	2	WASHER, CIRCULAR 6			
5		V204-000620	2	BOLT			
6		93115-03010	1	KEY	3*10		
7		V265-000220	1	NUT			
8		V475-005180	1	TUBE			
9		A426-000040	1	TERMINAL, SPARKPLUG			
10		A427-000160	1	PLUG CAP			
11		A425-000000	1	SPARKPLUG	BPMR8Y		
12		V202-000540	2	BOLT, 4			
14		P021-036741	1	COIL, IGNITION			
13	+	V488-000170	1	BODY, TERMINAL			
15		900720-20007	1	O-RING 7	P-7		

## 10. RECOIL STARTER



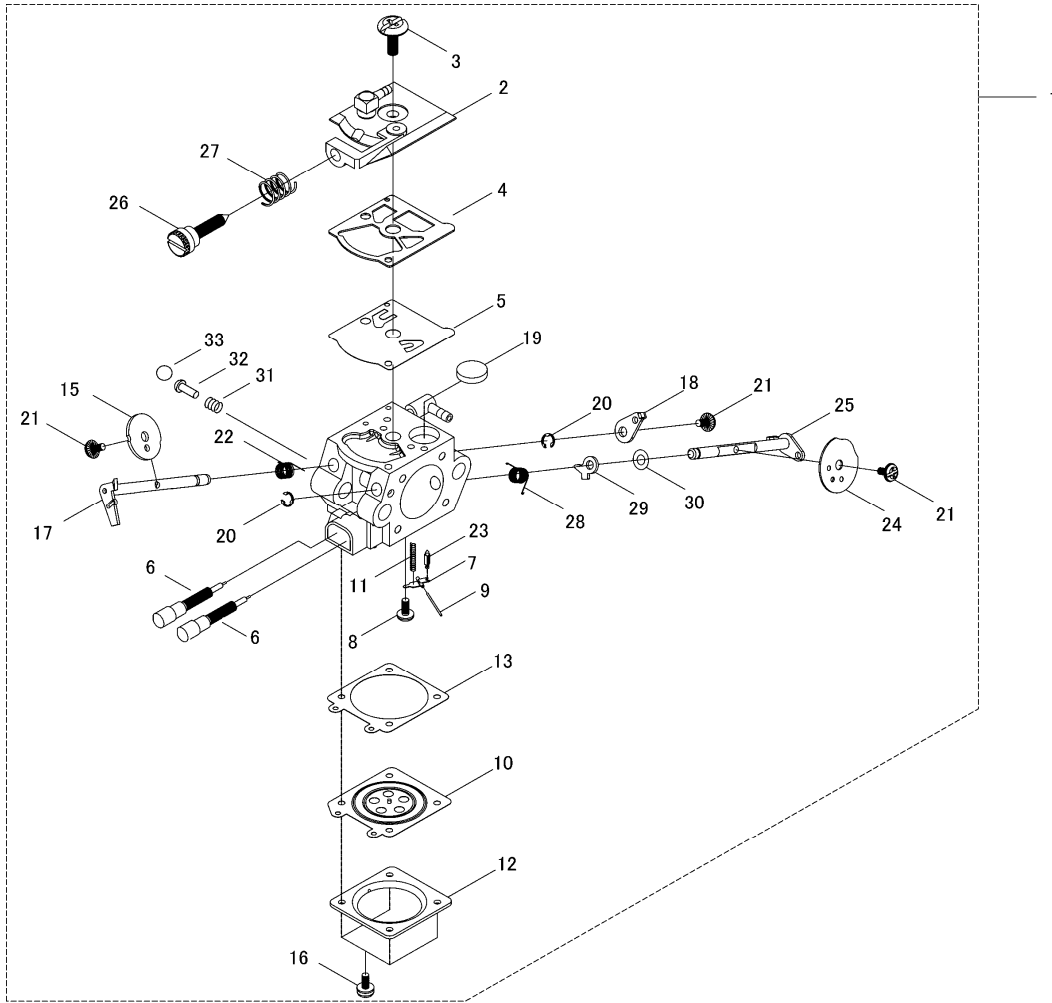
KEY	LV	PART NUMBER	Q'TY	DESCRIPTION	REMARKS	NOTE1	NOTE2
1		A051-002270	1	STARTER,RECOIL			
2	+	A500-001320	1	CASE,STARTER			
3	++	A510-000130	1	GUIDE,ROPE			
4	+	A506-000390	1	REEL			
5	+	A507-000080	1	CATCHER, PAWL			
6	+	V452-000880	1	SPRING,TORSION			
7	+	A504-000220	1	SPRING,RECOIL			
8	+	V253-000640	1	SCREW			
9	+	A509-000380	1	ROPE			
10	+	A511-000230	1	NOB			
11	+	V450-001170	1	SPRING,COMPRESSION			
12	+	V376-001400	1	SPACER			
13		A172-001870	1	COVER,FAN			
14		V202-000200	4	BOLT			
15		V131-000190	1	GROMMET,NEEDLE			
16		X502-000760	1	LABEL,ECHO			

## 11. CARBURETOR



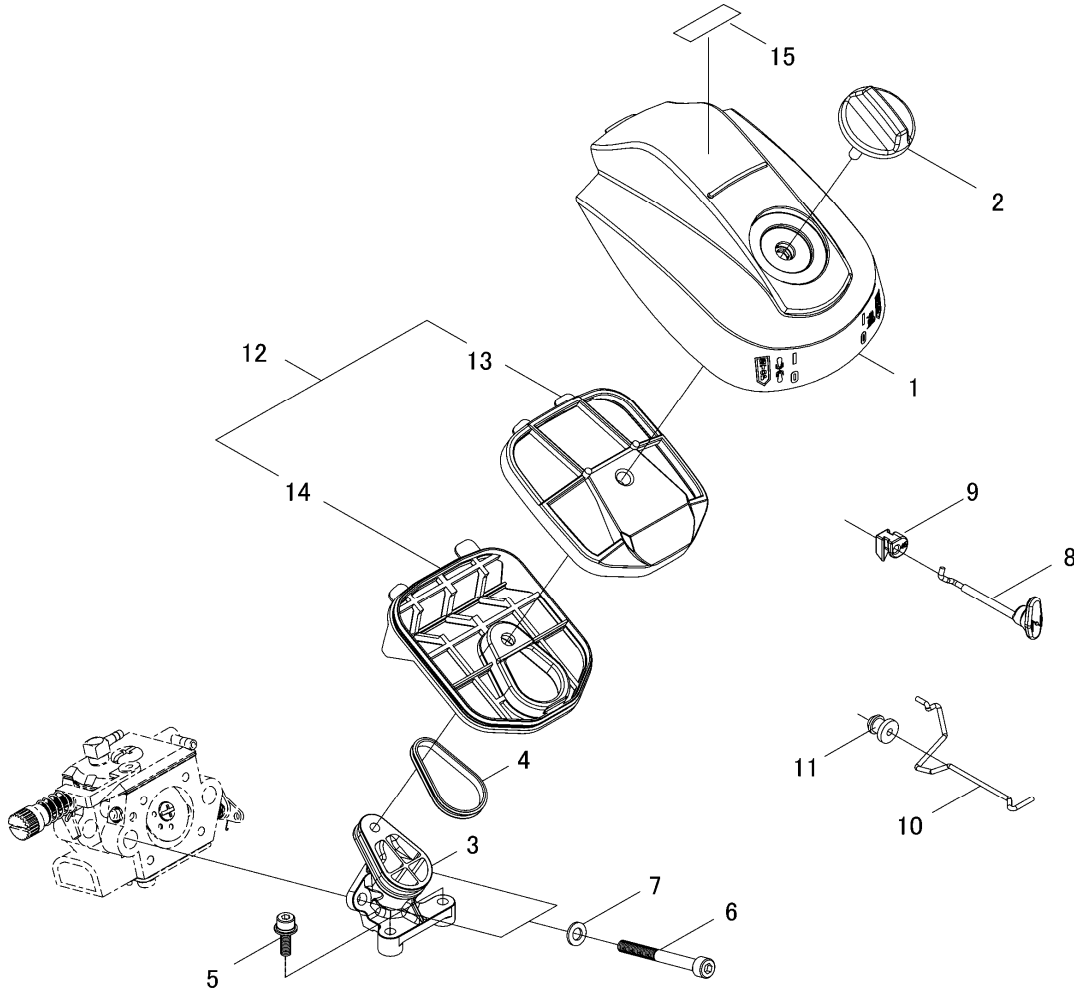
KEY	LV	PART NUMBER	Q'TY	DESCRIPTION	REMARKS	NOTE1	NOTE2
1		A021-003560	1	CARBURETOR,DIAPHRAGM	WT-1011		
2	+	P003-003360	1	COVER, PUMP			
3	+	123110-03930	1	SCREW, PUMP COVER			
4	+	123125-15030	1	GASKET, FUEL PUMP			
5	+	123112-15030	1	DIAPHRAGM, FUEL PUMP			
6	+	P003-004460	2	NEEDLE			
7	+	123123-03930	1	LEVER, METERING			
8	+	123139-03930	1	SCREW, M. LEVER PIN			
9	+	123138-03930	1	PIN, METERING LEVER			
10	+	P003-001850	1	DIAPHRAGM, METERING			
11	+	123122-39330	1	SPRING, METER. LEVER			
12	+	123142-03930	1	COVER, M. DIAPHRAGM			
13	+	123140-03930	1	GASKET, M. DIAPHRAGM			
15	+	P003-003240	1	VALVE, THROTTLE			
16	+	123130-02960	4	SCREW			
17	+	P003-004800	1	SHAFT ASY, THROTTLE			
18	+	P003-003180	1	THROTTLE LEVER			
19	+	123126-10631	1	SCREEN, INLET			
20	+	123127-15030	2	RING			
21	+	123114-38830	3	SCREW			
22	+	123113-37530	1	SPRING, THROTTLE RTN			
23	+	123137-19830	1	VALVE, INLET NEEDLE			
24	+	P003-001960	1	VALVE, CHOKE			
25	+	P003-003190	1	SHAFT			
26	+	P003-003650	1	IDEL SCREW			
27	+	123133-04260	1	SPRING, IDLE ADJUST			

# 11. CARBURETOR



KEY	LV	PART NUMBER	Q'TY	DESCRIPTION	REMARKS	NOTE1	NOTE2
28	+	P003-002260	1	SPRING			
29	+	P003-001510	1	LEVER-FAST IDLE			
30	+	123149-26030	1	WASHER			
31	+	123186-09660	1	SPRING, START VALVE			
32	+	123185-09660	1	PISTON ASSY			
33	+	123136-09660	1	BALL			

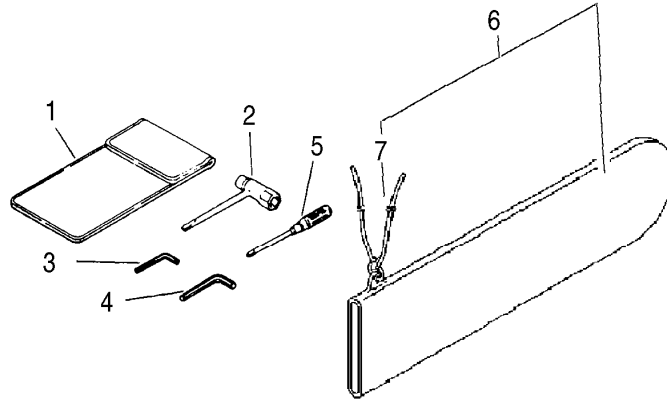
12. AIR CLEANER



KEY	LV	PART NUMBER	Q'TY	DESCRIPTION	REMARKS	NOTE1	NOTE2
1		A232-001510	1	LID,CLEANER			
2		A235-000270	1	KNOB,CLEANER LID			
3		A204-000220	1	ELBOW,CARBURETOR			
4		V581-000280	1	GASKET			
5		V202-000200	2	BOLT			
6		91100-05048	2	BOLT			
7		900600-00005	2	WASHER 5	5		
8		A240-000111	1	ROD,CHOKE			
9		V130-000131	1	GROMMET,CHOKE			
10		C454-000280	1	ROD,THROTTLE			
11		V133-000040	1	GROMMET			
12		A226-001090	1	AIR CLEANER ASSY			
13	+	A226-001100	1	AIR CLEANER UPPER			
14	+	A226-001110	1	AIR CLEANER LOWER			
15		X503-010910	1	LABEL,MODEL			



## 13. TOOLS



KEY	LV	PART NUMBER	Q'TY	DESCRIPTION	REMARKS	NOTE1	NOTE2
1		898510-39130	1	BAG, TOOL			
2		X602-000080	1	TOOL,WRENCH	13*19 L180		
3		X605-000090	1	HEXA WRENCH 4MM			
4		X605-000100	1	TOOL,L WRENCH	4MM M5		
5		895812-03930	1	DRIVER, SCREW 50			
6		P021-014290	1	SCABBARD,CHAIN			
7	+	898568-14530	1	ROPE	5*900		

**Index**

<b>Patrs Number</b>	<b>Key No.</b>	<b>Patrs Number</b>	<b>Key No.</b>	<b>Patrs Number</b>	<b>Key No.</b>
100015-32330	6 - 4	93115-03010	9 - 6	C305-000411	8 - 5
100215-03930	3 - 10	A021-003560	11 - 1	C309-000110	8 - 2
100215-03930	8 - 26	A030-000780	2 - 1	C310-000110	3 - 16
123110-03930	11 - 3	A051-002270	10 - 1	C320-000312	8 - 25
123112-15030	11 - 5	A056-000610	7 - 5	C328-000210	8 - 15
123113-37530	11 - 22	A101-000540	6 - 2	C328-000220	8 - 16
123114-38830	11 - 21	A127-000361	3 - 33	C334-000180	8 - 17
123122-39330	11 - 11	A160-002380	4 - 1	C334-000190	8 - 20
123123-03930	11 - 7	A172-001870	10 - 13	C334-000200	8 - 21
123125-15030	11 - 4	A200-000852	1 - 7	C345-000430	8 - 29
123126-10631	11 - 19	A202-000150	1 - 5	C347-000010	8 - 24
123127-15030	11 - 20	A204-000220	12 - 3	C403-000530	5 - 8
123130-02960	11 - 16	A219-000040	4 - 2	C411-000170	5 - 7
123133-04260	11 - 27	A226-001090	12 - 12	C450-000640	5 - 4
123136-09660	11 - 33	A226-001100	12 - 13	C454-000280	12 - 10
123137-19830	11 - 23	A226-001110	12 - 14	C460-000390	5 - 6
123138-03930	11 - 9	A232-001510	12 - 1	J211-000430	8 - 32
123139-03930	11 - 8	A235-000270	12 - 2	P003-001510	11 - 29
123140-03930	11 - 13	A240-000111	12 - 8	P003-001850	11 - 10
123142-03930	11 - 12	A310-000300	2 - 3	P003-001960	11 - 24
123149-26030	11 - 30	A313-001481	2 - 2	P003-002260	11 - 28
123185-09660	11 - 32	A313-001680	2 - 4	P003-003180	11 - 18
123186-09660	11 - 31	A356-000050	5 - 18	P003-003190	11 - 25
131050-19830	5 - 23	A409-000901	9 - 1	P003-003240	11 - 15
131051-19830	5 - 25	A425-000000	9 - 11	P003-003360	11 - 2
131205-19831	5 - 13	A426-000040	9 - 9	P003-003650	11 - 26
437239-14730	3 - 9	A427-000160	9 - 10	P003-004460	11 - 6
890316-39130	8 - 37	A500-001320	10 - 2	P003-004800	11 - 17
890345-39230	4 - 8	A504-000220	10 - 7	P021-014290	13 - 6
895812-03930	13 - 5	A506-000390	10 - 4	P021-023110	7 - 11
898510-39130	13 - 1	A507-000080	10 - 5	P021-034590	3 - 21
898568-14530	13 - 7	A509-000380	10 - 9	P021-036150	3 - 1
900105-05012	8 - 8	A510-000130	10 - 3	P021-036160	3 - 5
900105-05030	3 - 17	A511-000230	10 - 10	P021-036170	6 - 1
900212-04008	3 - 25	A514-000220	9 - 2	P021-036180	6 - 6
900246-03008	5 - 24	A552-000230	7 - 7	P021-036190	8 - 9
900600-00005	3 - 18	A552-000240	7 - 9	P021-036741	9 - 14
900600-00005	12 - 7	A555-000210	7 - 6	P021-037410	3 - 19
900603-00004	3 - 24	A556-001121	7 - 1	P021-037420	5 - 10
900720-20007	9 - 15	A560-000010	7 - 2	P021-038240	1 - 1
900720-20029	5 - 11	C022-000121	7 - 12	V100-000620	1 - 2
91100-05048	12 - 6	C040-000710	4 - 4	V102-000220	3 - 13
91374-04006	8 - 12	C041-000581	5 - 1	V104-001780	2 - 6
91381-04010	8 - 18	C209-000070	7 - 14	V107-000090	3 - 20
91449-04022	5 - 9	C236-000060	7 - 16	V130-000131	12 - 9
91578-04006	2 - 5	C300-000780	8 - 10	V131-000190	10 - 15
93042-40100	8 - 19	C302-000030	8 - 13	V133-000040	12 - 11
93042-40220	5 - 3	C304-000200	8 - 7	V141-000100	3 - 23
93060-40250	5 - 2	C305-000260	8 - 11	V152-002430	8 - 3

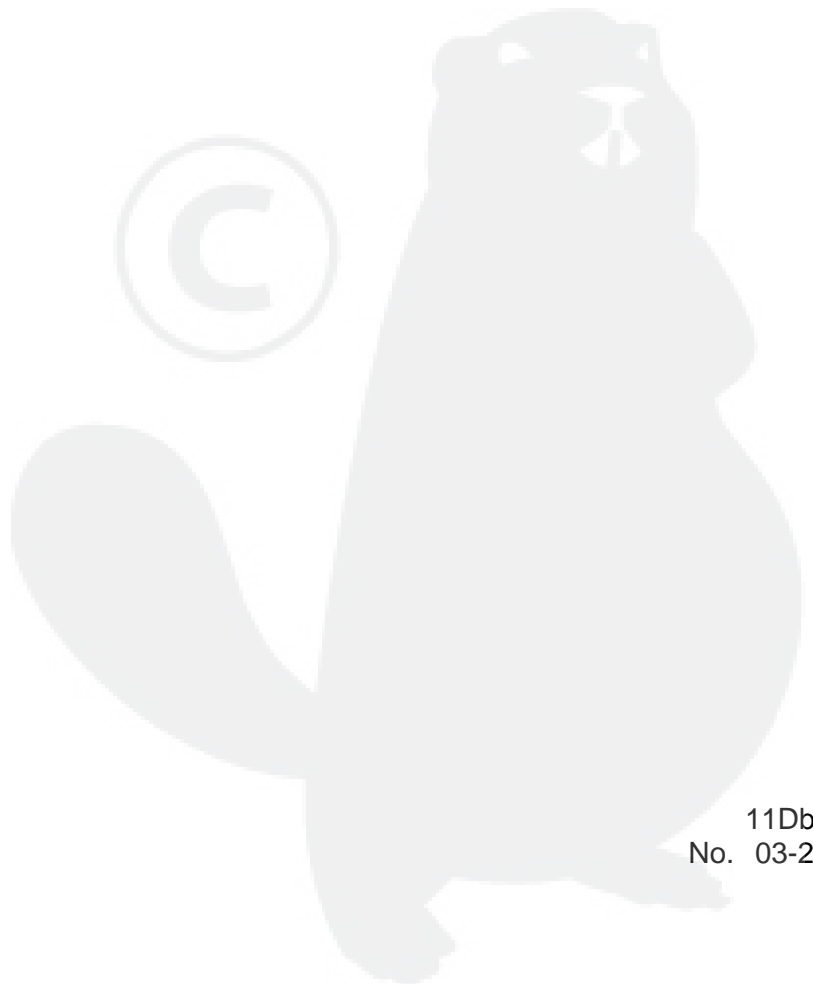
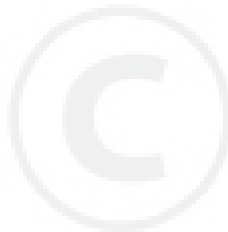
**Index**

<b>Patrs Number</b>	<b>Key No.</b>	<b>Patrs Number</b>	<b>Key No.</b>	<b>Patrs Number</b>	<b>Key No.</b>
V202-000200	1 - 8	V471-002800	3 - 32		
V202-000200	4 - 3	V471-003150	6 - 7		
V202-000200	10 - 14	V475-005180	9 - 8		
V202-000200	12 - 5	V485-002030	3 - 22		
V202-000490	8 - 30	V488-000170	9 - 13		
V202-000520	4 - 7	V490-000500	5 - 16		
V202-000520	7 - 17	V490-000500	7 - 15		
V202-000540	9 - 12	V505-000070	3 - 3		
V203-001410	8 - 33	V508-000070	3 - 7		
V203-001450	3 - 14	V555-000150	7 - 10		
V203-001470	8 - 27	V556-000040	6 - 5		
V203-001480	5 - 22	V581-000280	12 - 4		
V203-001490	4 - 5	V592-000290	3 - 6		
V203-001540	1 - 3	V592-000330	3 - 2		
V203-001540	2 - 7	V609-000050	6 - 3		
V203-001540	3 - 15	V629-000000	3 - 11		
V204-000620	9 - 5	V629-000010	8 - 22		
V225-000150	3 - 8	V651-000790	8 - 4		
V252-000470	8 - 6	X502-000760	10 - 16		
V253-000610	8 - 1	X502-000770	8 - 34		
V253-000640	10 - 8	X503-010910	12 - 15		
V265-000200	8 - 14	X602-000080	13 - 2		
V265-000211	7 - 4	X605-000090	13 - 3		
V265-000220	9 - 7	X605-000100	13 - 4		
V266-000090	3 - 31				
V303-000320	8 - 31				
V304-000270	9 - 4				
V307-000450	7 - 3				
V341-000130	8 - 36				
V355-000460	3 - 26				
V359-000200	1 - 6				
V376-001400	10 - 12				
V401-000330	4 - 6				
V401-000340	5 - 20				
V420-002770	3 - 27				
V420-002780	3 - 28				
V420-002810	5 - 19				
V421-000070	5 - 21				
V450-001160	8 - 28				
V450-001170	10 - 11				
V451-000920	1 - 4				
V451-000930	7 - 8				
V452-000850	5 - 5				
V452-000860	8 - 23				
V452-000870	9 - 3				
V452-000880	10 - 6				
V470-001520	5 - 12				
V470-001530	5 - 17				
V470-001840	7 - 13				

# YAMABIKO CORPORATION

7-2 SUEHIROCHO 1-CHOME, OHME, TOKYO 198-8760, JAPAN  
PHONE: 81-428-32-6118. FAX: 81-428-32-6145.

**ECHO**<sup>®</sup>



11Db  
No. 03-229